



# **PIONEER SAWS**

**ILLUSTRATED PARTS  
CATALOG**

**PIONEER SAWS**

**WAUKEGAN, ILLINOIS**

**\$1.00 a Copy**



# TABLE OF CONTENTS

## SECTION I ENGINES

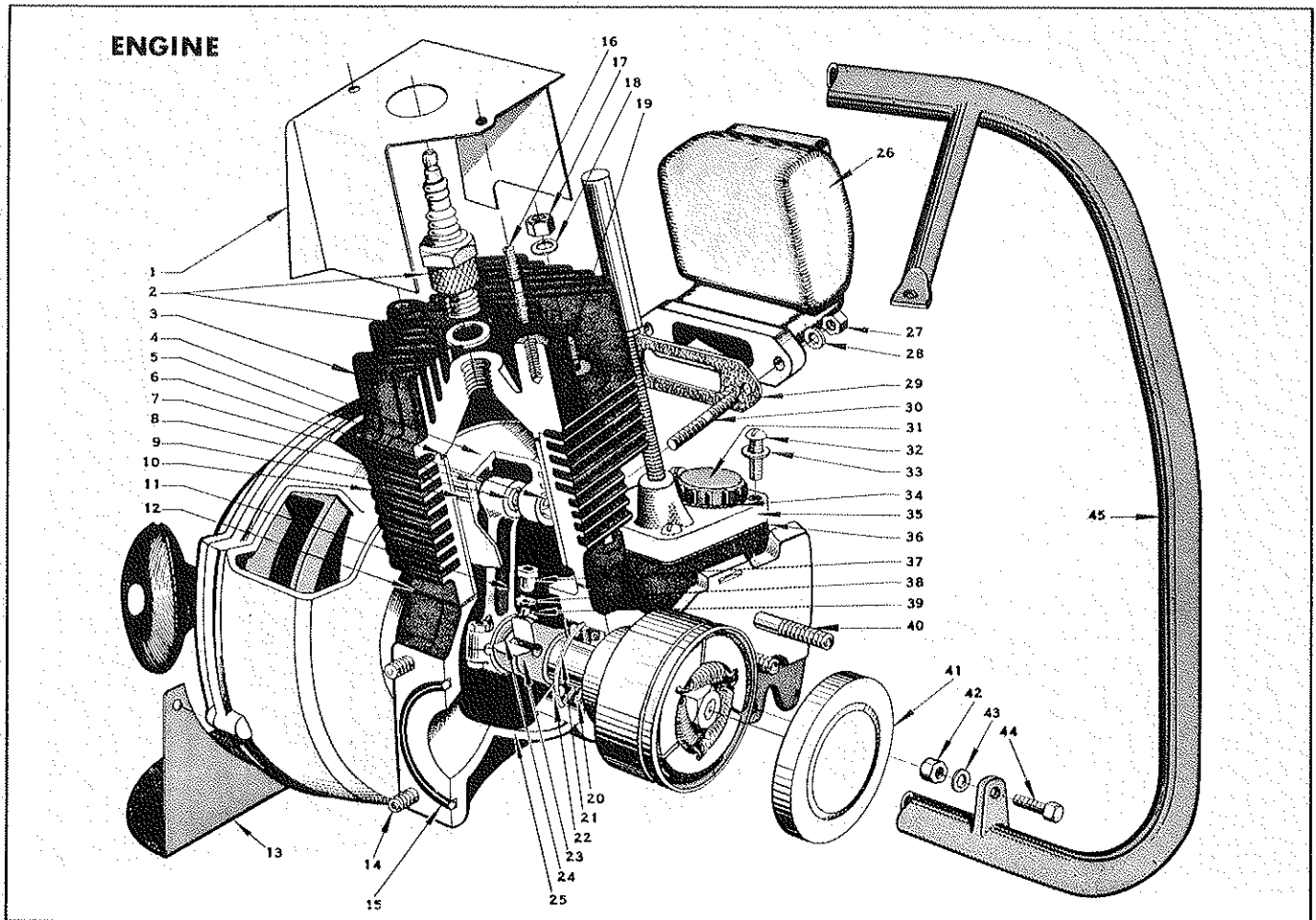
MODEL	PAGE
HA . . . . .	3-8
HB . . . . .	9-14
HC . . . . .	15-20
HM . . . . .	21-28
JA . . . . .	29-34
JB . . . . .	29-34
JC . . . . .	35-40
RA . . . . .	41-46
400 Series . . . . .	47-54
600 Series . . . . .	55-61

## SECTION II

Chain Identification . . . . .	II-1
Chain Details . . . . .	II-2
Chain Repair Parts . . . . .	II-3
Cutter Bars . . . . .	II-4
Optional Equipment . . . . .	II-5 & II-6
600 Series Optional Equipment . . . . .	II-7
Special Service Tool Kit . . . . .	II-8 & II-9
Special Tools . . . . .	II-10 & II-11
Miscellaneous Service Listings	
Quick Reference Chart of Active Service Parts . . . . .	II-12 & II-13
Gasket Chart . . . . .	II-13
Carburetor Specifications . . . . .	II-14
Filter Felt Ten Pack Cartons . . . . .	II-15
Sprockets Six Pack Cartons . . . . .	II-15



# MODEL HA



## ENGINE PARTS LIST

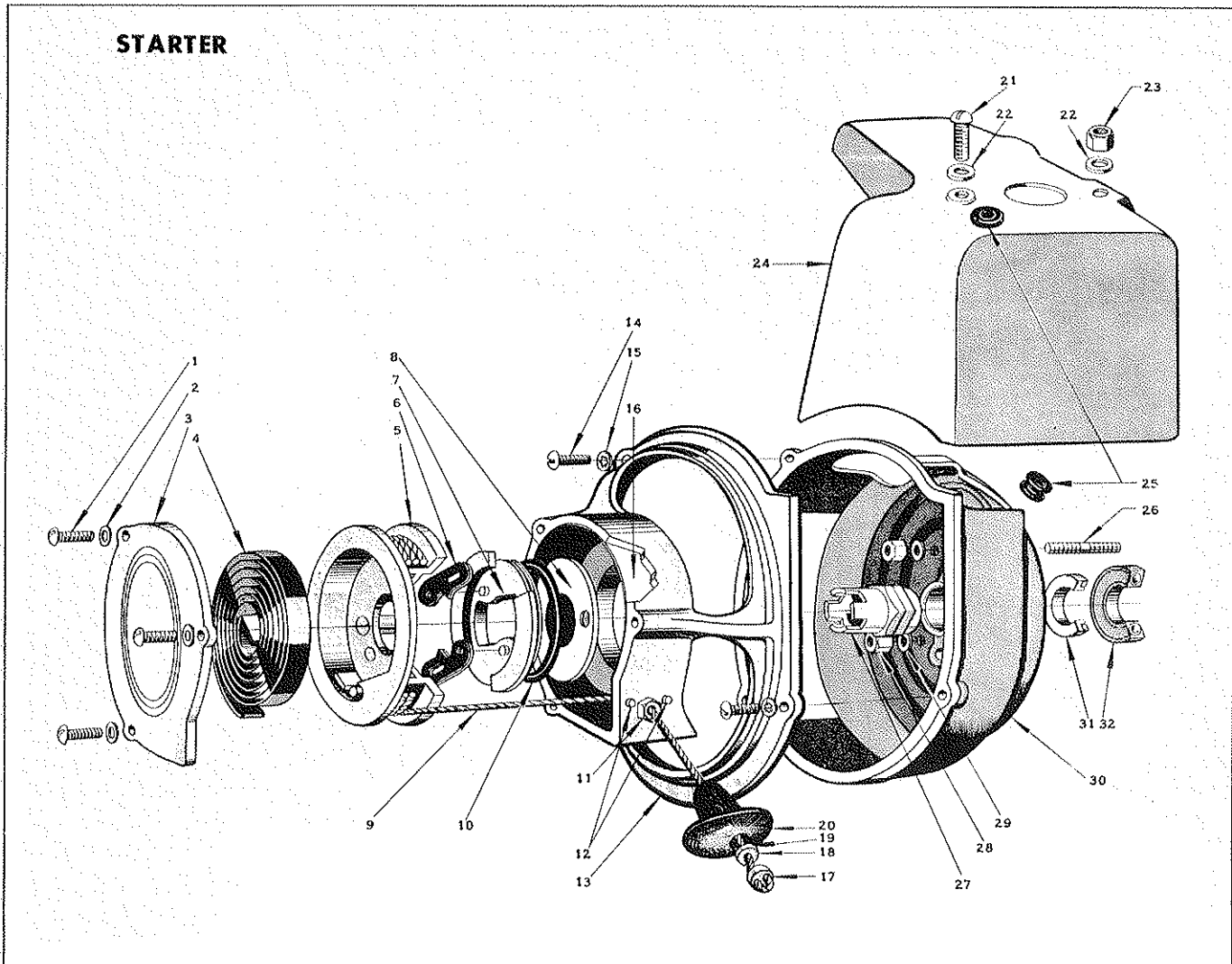
Ref. No.	Part No.	Description	Qty. Req'd.	Ref. No.	Part No.	Description	Qty. Req'd.
1	425252	Inner Shroud	1	†24	425566	Loose Needle	27
2	076152	Spark Plug and Gasket	1	25	470133	Crankcase Assembly	1
3	425254	Cylinder Head	1	26	425825	Exhaust Body	1
4	425032	Piston	1	27	306397	Exhaust Nut	2
5	425005	Cylinder Head Gasket	1	28	304145	Exhaust Washer	2
6	425062	Wrist Pin Retainer	2	29	425115	Exhaust Gasket	1
7	425058	Wrist Pin	1	30	425581	Exhaust Stud	2
8	425060	Needle Bearing	1	31	470360	Oiler Filler Cap	1
9	425007	Piston Ring	2	32	306485	Oiler Body Screw	4
10	470000	Cylinder Block Assy.		33	306522	Lockwasher	4
11	470168	Connecting Rod	1	34	425074	Oiler Filler Cap Gasket	1
*	470731	Brg. Cage, Two Halves	1	35	470237	Oil Pump Body Complete	1
*	425089	Loose Needles	12	36	425072	Oiler Gasket	1
12	425003	Cylinder Base Gasket	1	†37	425064	Connecting Rod Nut	2
13	470001	Starter Plate	1	†38	425065	Connecting Rod Washer	2
14	425827	Swivel Stud	4	†39	425063	Connecting Rod Bolt	2
15	425030	Swivel Grommet	1	40	425027	Strut Stud	2
16	425075	Cylinder Head Stud	1	41	425020	Clutch Cover	1
17	306397	Cylinder Head Nut	1	42	306397	Nut 1/4"	2
18	552743	Cylinder Head Washer	1	43	304145	Lockwasher 1/4"	2
19	425059	Cylinder Head Stud	1	44	304625	Rear Handle Bolt	2
20	425077	Drive End Seal	1	45	470065	Front Handle	1
21	425067	Clip Ring	1				
22	425066	Main Bearing	2				
23	425009	Crankshaft	1				

\*Not Shown

†For service replacement on original connecting rod only.

# MODEL HA

## STARTER

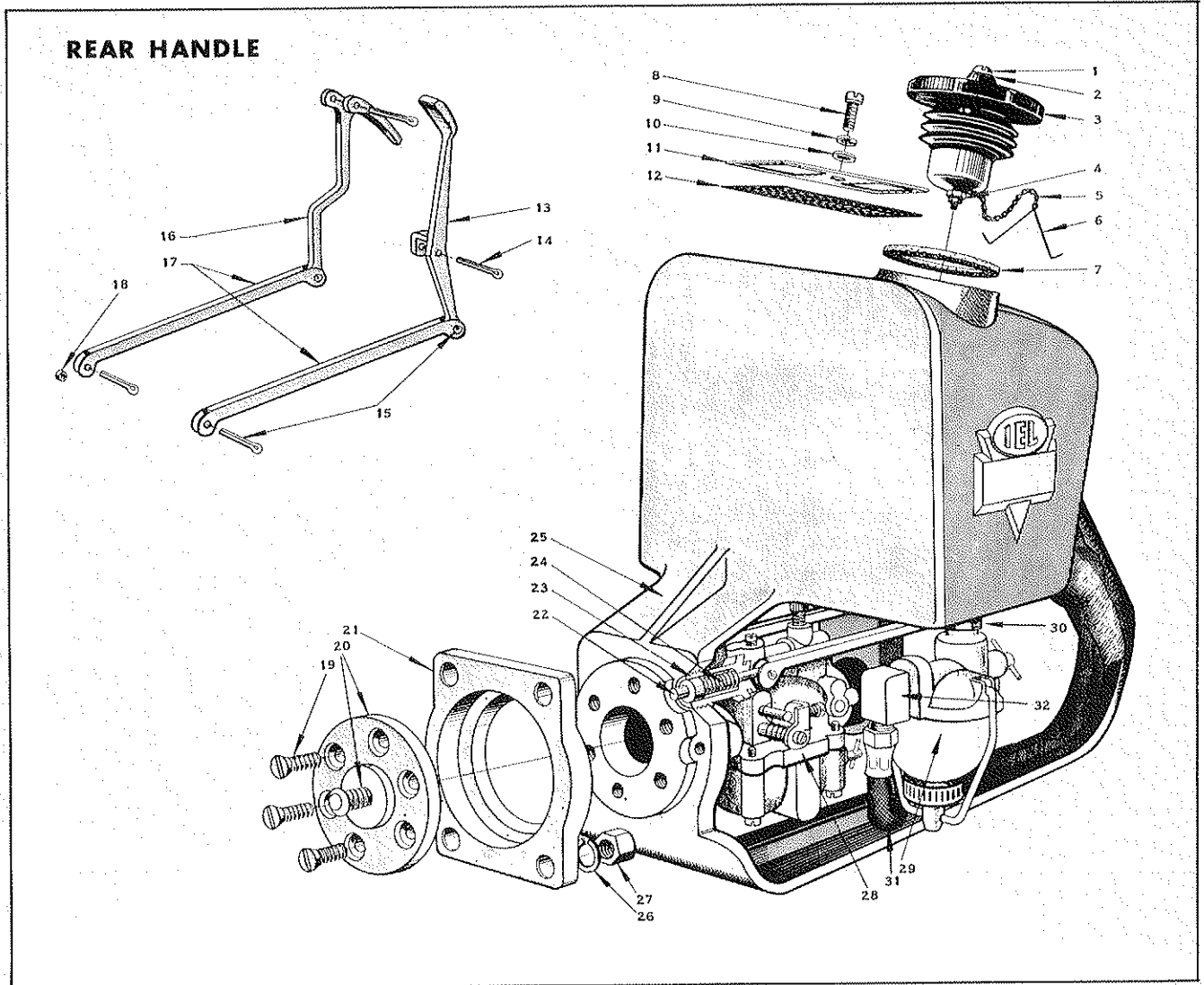


### STARTER PARTS LIST

Ref. No.	Part No.	Description	Qty. Req'd.	Ref. No.	Part No.	Description	Qty. Req'd.
1	306514	Starter Cover Screw	3	16	425832	Starter Liner	1
2	306522	Starter Cover Washer	3	*17	425165	Starter Rope Anchor	1
3	425152	Starter Cover	1	*18	425778	Starter Rope Washer	1
4	425540	Starter Spring	1	19	304323	Starter Handle Rope Anchor	1
5	470166	Starter Pulley, Complete with Pins and Pawls	1	20	602773	Starter Handle	1
6	425546	Starter Pawl	4	21	306395	Shroud Screw	1
7	470234	Starter Slip Plate and Pin Assembly	1	22	552743	Shroud Washer	2
8	425142	Starter End Plate	1	23	306397	Shroud Nut	1
9	425596	Starter Rope Assembly	1	24	425549	Outer Shroud	1
10	425030	Slip Plate Ring	1	25	425335	Ignition Wire Grommet	1
11	425808	Starter Rope Bushing	1	26	425075	Fan Housing Studs	4
12	425632	Rivet	3	27	425154	Drive Nut	1
13	470159	Starter Housing Unit	1	28	306397	Fan Housing Nut	4
14	302467	Starter Housing Screw	3	29	304145	Lockwasher 1/4"	4
15	306524	Starter Housing Washer	3	30	425008	Fan Housing	1
				31	425076	Magneto End Seal	1
				32	425066	Crankshaft Bearing	2

\*Used on original equipment only.

# MODEL HA

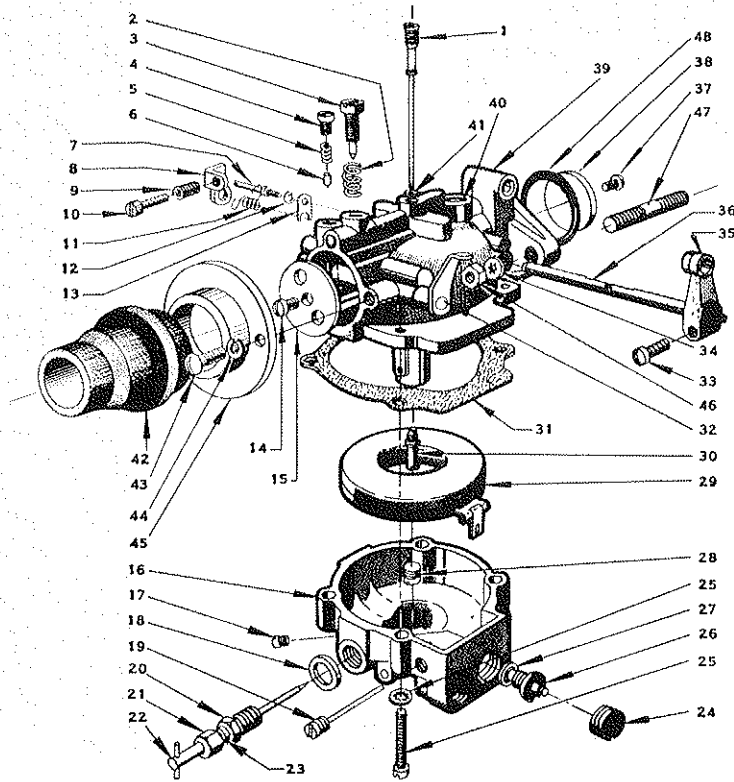


## REAR HANDLE PARTS LIST

Ref. No.	Part No.	Description	Qty. Req'd.	Ref. No.	Part No.	Description	Qty. Req'd.
1	306519	Screw	1	17	425256	Control Link	2
2	303916	Filler Cap Washer	1	18	425257	Bushing	1
3	470162	Filler Cap Only	1	19	307048	Valve Plate Screw	6
4	425911	Filler Cap Nut	1	20	470136	Reed Valve Unit	1
5	425853	Filler Cap Chain	1	21	425552	Swivel Ring	1
6	425718	Spring	1	22	425755	Swivel Lock Pin	1
7	425087	Filler Cap Gasket	1	23	425551	Swivel Lock Body	1
8	306514	Air Cleaner Screw	1	24	425556	Swivel Lock Spring	1
9	550757	Air Cleaner Lock-washer	1	25	470347	Rear Handle with Carburetor Studs	1
10	306413	Air Cleaner Washer	1	26	304145	Lockwasher	6
11	425805	Air Cleaner Plate	1	27	306397	Nut	6
12	425265	Air Cleaner Screen	1	28	470252	Carburetor	1
13	425836	Swivel Lever	1	29	470217	Fuel Filter	1
14	304635	Control Hinge Pin	2	30	425785	Fuel Filter Adapter	1
15	304634	Control Link Cotter Pins	4	31	470141	Fuel Line	1
16	425255	Throttle Trigger	1	32	425756	Male Elbow	1

# MODEL HA

## CARBURETOR



### CARBURETOR PARTS LIST

Ref. No.	Part No.	Description	Qty. Req'd.	Ref. No.	Part No.	Description	Qty. Req'd.
*	470252	Carburetor Assembly	1	23	425384	Packing	1
1	425444	Bypass Tube Assembly	1	24	425429	Plug Screw	1
2	425409	Idle Adjusting Screw Spring	1	25	425410	Screw and Lockwasher	4
3	425418	Idle Adjusting Screw	1	26	470115	Matched Inlet Needle and Seat	1
4	425433	Choke Friction Plug Screw	1	27	425393	Gasket	1
5	425399	Choke Friction Plunger Spring	1	28	425392	Headless Plug Screw	1
6	425407	Choke Friction Plunger	1	29	425428	Float Assembly	1
7	425471	Throttle Stop Lever Pin	1	30	425439	Nozzle	1
8	425445	Throttle Stop Lever	1	31	551142	Float Bowl Gasket	1
9	425386	Spring	1	32	470116	Choke Shaft and Lever	1
10	425401	Screw	1	33	425377	Screw	1
11	425447	Throttle Return Spring	1	34	306355	Lockwasher	2
12	425387	Lockwasher	1	35	425388	Throttle Lever	1
13	425459	Throttle Shaft Clip	1	36	425454	Throttle Shaft	1
14	425374	Screw	1	37	425402	Screw	1
15	425398	Choke Shutter	1	38	425446	Throttle Shutter	1
16	425442	Float Bowl, Service	1	39	425474	Body, Service	1
17	425397	Headless Plug Drain Screw	1	40	425394	Welch Plug, 3/8"	1
18	425380	Gasket	1	41	425430	Gasket	1
19	425431	Float Pinion Pin	1	42	425258	Carburetor Intake Grommet	1
20	425382	Packing Gland	1	43	306309	Intake Adapter Screws	2
21	425383	Packing Nut	1	44	303293	Intake Adapter Washer	2
22	425438	Needle Valve Main Adjusting Screw	1	45	425268	Carburetor Intake Adapter	1
				46	306397	Carburetor Mounting Nut	2
				47	425581	Stud	1
				48	425575	Grommet	1

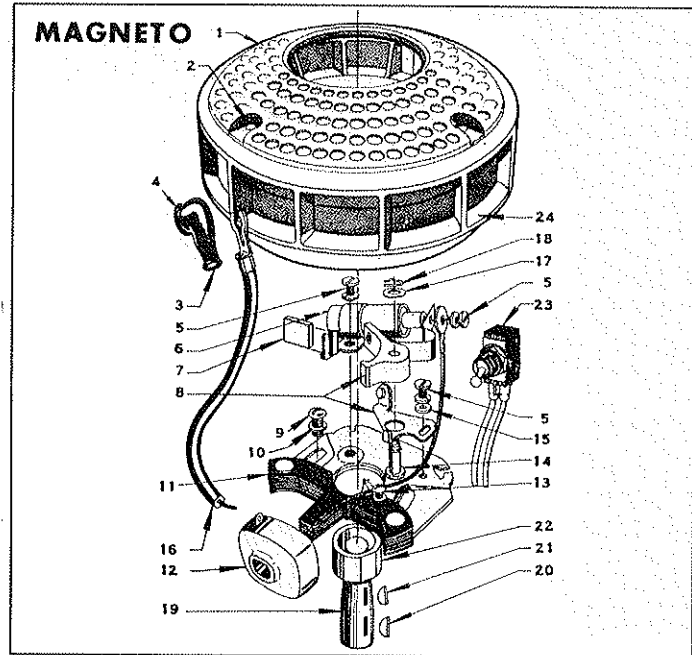
\*Not Shown



# MODEL HA

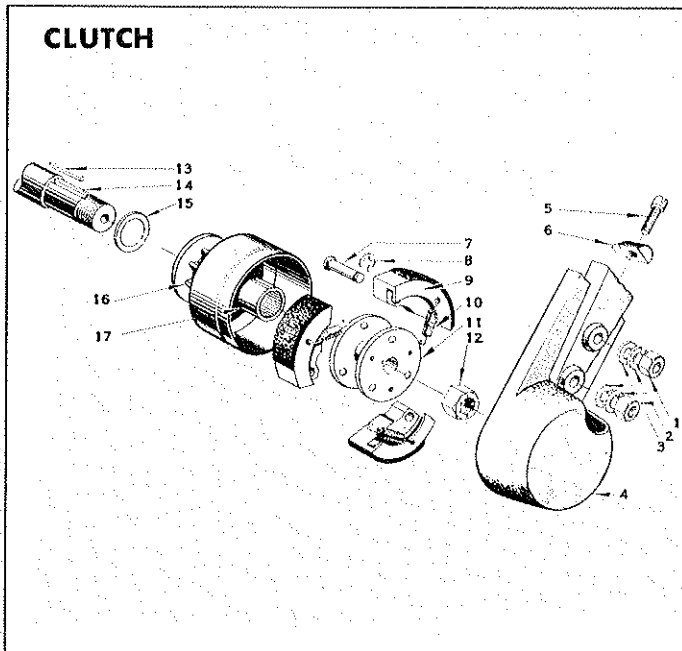
## MAGNETO PARTS LIST

Ref. No.	Part No.	Description	Qty. Req'd.
1	425807	Rotary Screen	1
2	425632	Rivet	3
3	510231	Terminal Spring	1
4	510232	Terminal Cover	1
*	470103	Magneto Assembly, Complete	1
5	425370	Screw	3
6	425373	Condenser	1
7	425694	Cam Wiper Felt	1
8	425372	Breaker Contract Set	1
9	300204	Magneto Stator Screw	2
10	303916	Magneto Stator Washer	2
11	425963	Stator Plate Assembly (Includes Stator Plate and Coil Core Only)	1
12	425371	Coil Group	1
13	425964	Primary Lead Screw	1
14	425357	Breaker Arm Pivot Washer	1
15	425356	Fixed Contact Clamp Screw Washer	1
16	425010	Ignition Wire	1
17	425366	Breaker Spacer Washer	1
18	425358	Breaker Arm Lock	1
19	425009	Crankshaft	1
20	425100	Magneto Cam Key	1
21	425061	Key	1
22	425826	Magneto Cam	1
23	425101	Ignition Stop Switch	1



Ref. No.	Part No.	Description	Qty. Req'd.
24	425081	Flywheel Unit	1
NOTE			
Installation of service replacement Flywheel Unit Part No. 425081 necessitates the use of the following parts.			
*	425079	Screen	1
*	425080	Baffle	1
*	425071	Starter Adapter	1
*	470232	Starter Assembly, Complete	1

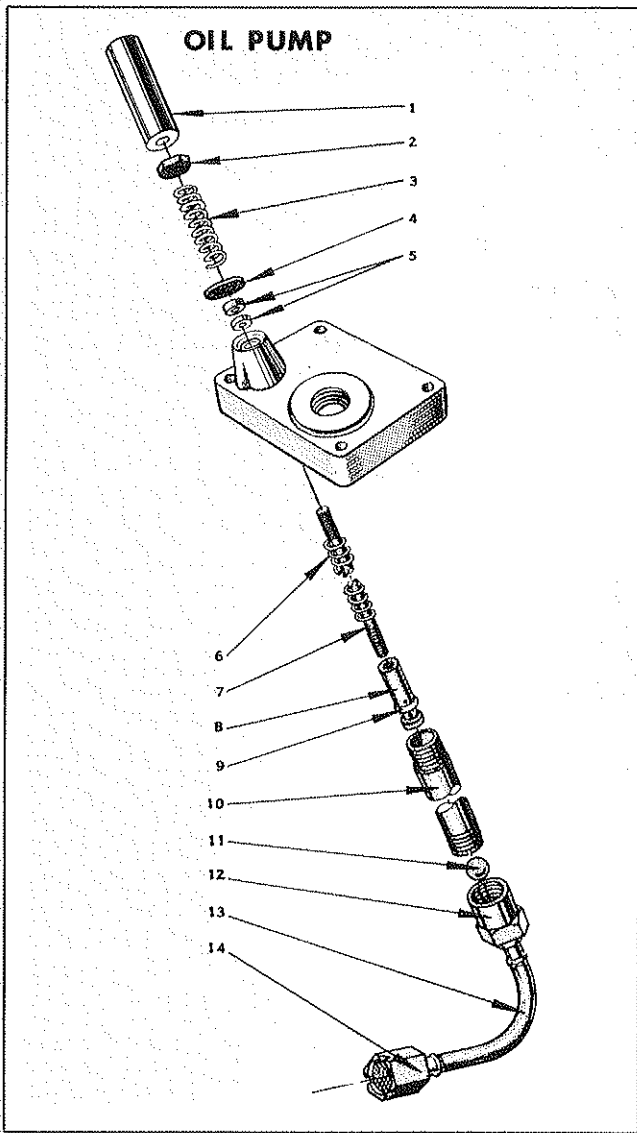
\*Not Shown



## CLUTCH PARTS LIST

Ref. No.	Part No.	Description	Qty. Req'd.
1	425031	Strut Nut	2
2	306325	Lockwasher	2
3	425116	Strut Washer	2
4	470051	Strut Assembly	1
5	202190	Adjusting Screw	1
6	425024	Chain Adjuster Pin	1
7	425019	Clutch Driver Pin	3
8	202139	Clutch Driver Clip	3
9	470002	Clutch Shoe Assembly	3
10	425012	Clutch Spring	3
11	425018	Clutch Driver	1
12	425092	Clutch Driver Nut	1
13	425555	Clutch Driver Key	1
14	425009	Crankshaft Drive End	1
15	425015	Inside Sprocket Washer	1
16	470340	Sprocket	1
17	425091	Sprocket Bearing	1

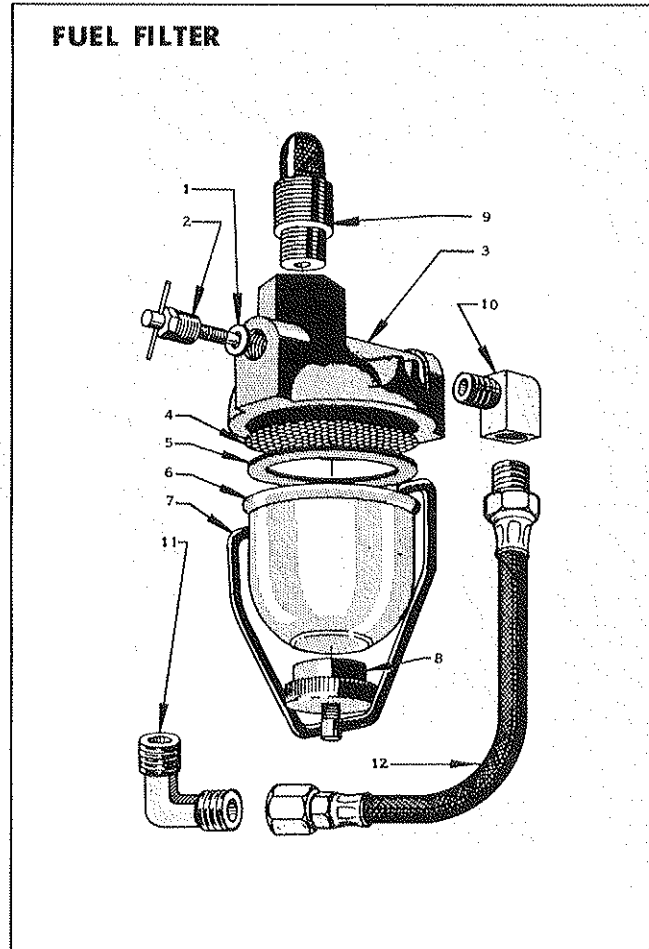
# MODEL HA



**OIL PUMP PARTS LIST**

Ref. No.	Part No.	Description	Qty. Req'd.
*	470237	Oil Pump Assembly, Complete	1
1	470158	. Oiler Knob	1
2	306531	. Knob Lock Nut	1
3	425153	. External Spring	1
4	425813	. Washer	1
5	425028	. Oiler Gland "O" Ring	1
6	425035	. Internal Spring	1
7	425834	. Plunger Rod	1
8	425782	. Plunger	1
9	202612	. Plunger Grommet	1
10	425244	. Oiler Pump Barrel	1
11	425622	. Check Valve	1
12	425145	. Oiler Intake Connector	1
13	425831	. Flexible Suction Line	1
14	470255	. Suction Head	1

\*Not Shown

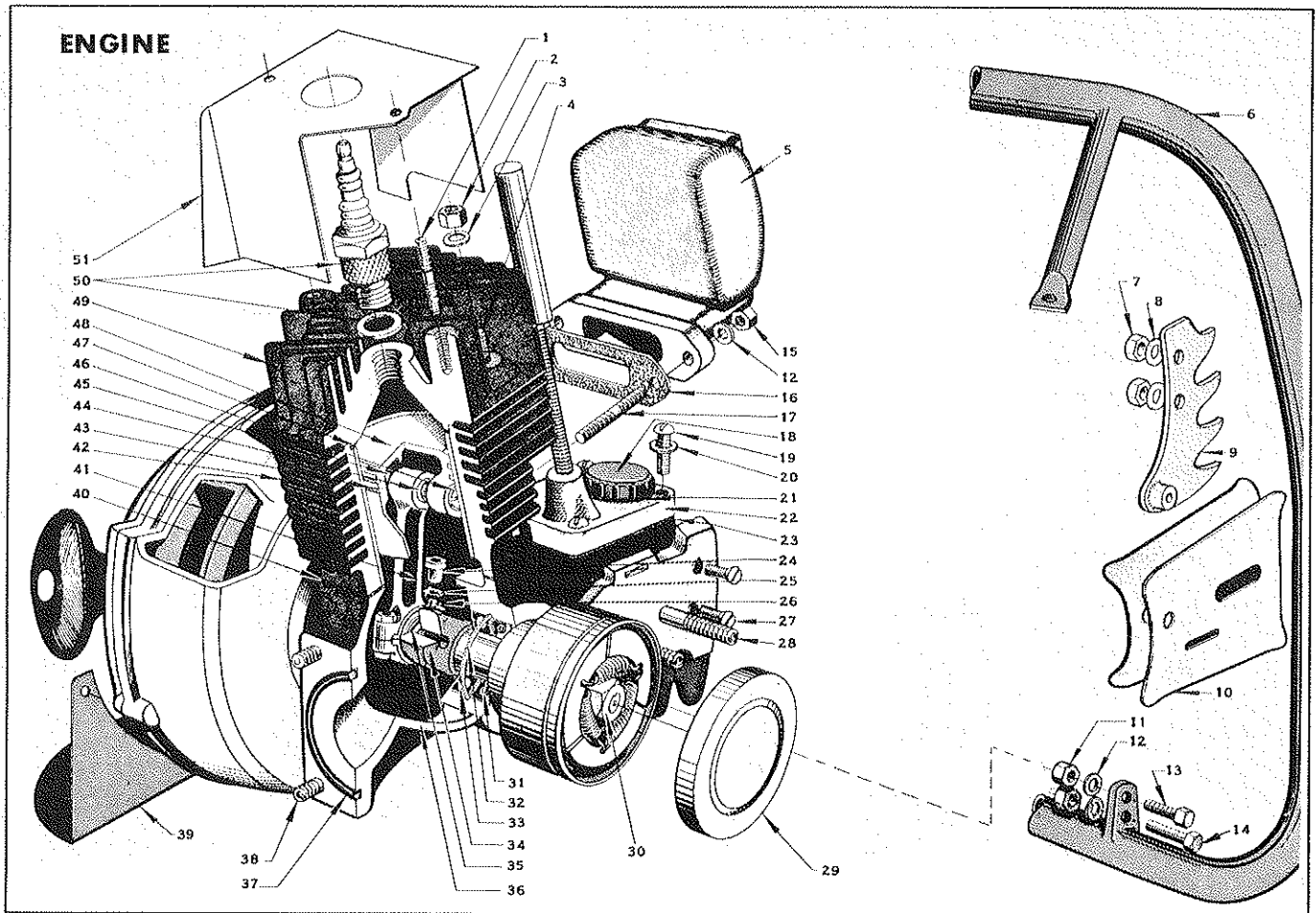


**FUEL FILTER PARTS LIST**

Ref. No.	Part No.	Description	Qty. Req'd.
*	470217	Fuel Filter Assembly, Complete	1
1	425384	. Main Adjusting Screw Packing	1
2	425426	. Shut-off Valve and Packing Nut	1
3	425427	. Strainer Cover	1
4	425424	. Strainer Screen	1
5	425423	. Strainer Gasket	1
6	425422	. Strainer Bowl	1
7	470316	. Clamp Wire and Stud	1
8	425425	. Cup and Thumb Nut	1
9	425785	Adapter with Screen	1
10	425118	Street Elbow	1
11	425756	Street Elbow	1
12	470141	Fuel Line	1

\*Not Shown

# MODEL HB



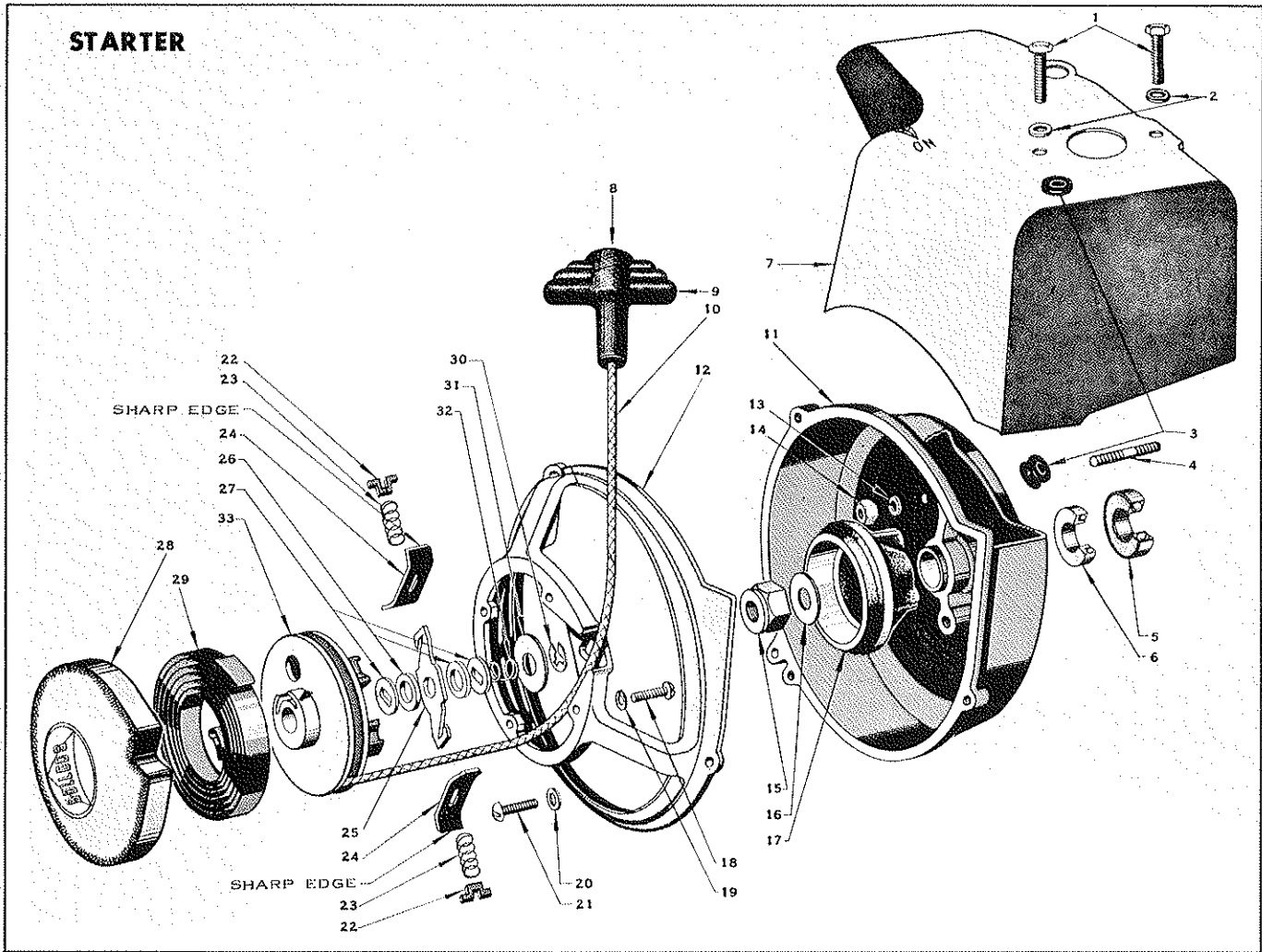
## ENGINE PARTS LIST

Ref. No.	Part No.	Description	Qty. Req'd.	Ref. No.	Part No.	Description	Qty. Req'd.
1	425075	Cylinder Head Stud	1	27	304622	Pivot Grip Screw	2
2	306397	Cylinder Head Nut	1	28	425027	Strut Stud	2
3	552743	Cylinder Head Washer	1	29	425020	Clutch Cover	1
4	425059	Cylinder Head Stud	4	30	425092	Flexloc Nut	1
5	425825	Exhaust Body	1	31	425077	Drive End Seal	1
6	470065	Front Handle	1	32	425067	Clip Ring	1
7	306531	Pivot Grip Nut	2	33	425066	Main Bearing	2
8	550757	Lockwasher	1	34	425009	Crankshaft	1
9	470013	Pivot Grip, Western	1	†35	425566	Loose Needles	27
9	470014	Pivot Grip, Eastern	1	36	470133	Crankcase Assembly	1
10	425674	Guide Plate	2	37	425030	Swivel Grommet	1
11	306397	Nut	3	38	425827	Swivel Stud	4
12	304145	Lockwasher	6	39	470001	Starter Plate	1
13	304625	Rear Handle Bolt	2	40	425003	Cylinder Base Gasket	1
14	304626	Pivot Grip Bolt	1	41	470168	Connecting Rod	1
15	306397	Exhaust Nut	2	*	470731	Brg. Cage, Two Halves	1
16	425115	Exhaust Gasket	1	*	425089	Loose Needles	12
17	425581	Exhaust Stud	2	42	470000	Cylinder Block Assy.	1
18	470360	Oiler Filler Cap	1	43	425007	Piston Ring	2
19	306527	Oiler Body Screw	4	44	425060	Needle Bearing	1
20	306522	Lockwasher	4	45	425058	Wrist Pin	1
21	425907	Oiler Filler Cap Gasket	1	46	425062	Wrist Pin Retainer	1
22	470237	Oil Pump Body, Complete	1	47	425005	Cylinder Head Gasket	1
23	425072	Oiler Gasket	1	48	425032	Piston	1
†24	425064	Connecting Rod Nut	2	49	425254	Cylinder Head	1
†25	425065	Connecting Rod Washer	2	50	076152	Spark Plug and Gasket	1
†26	425063	Connecting Rod Bolt	2	51	425252	Inner Shroud	1

\*Not Shown

†For service replacement on original connecting rod only.

# MODEL HB

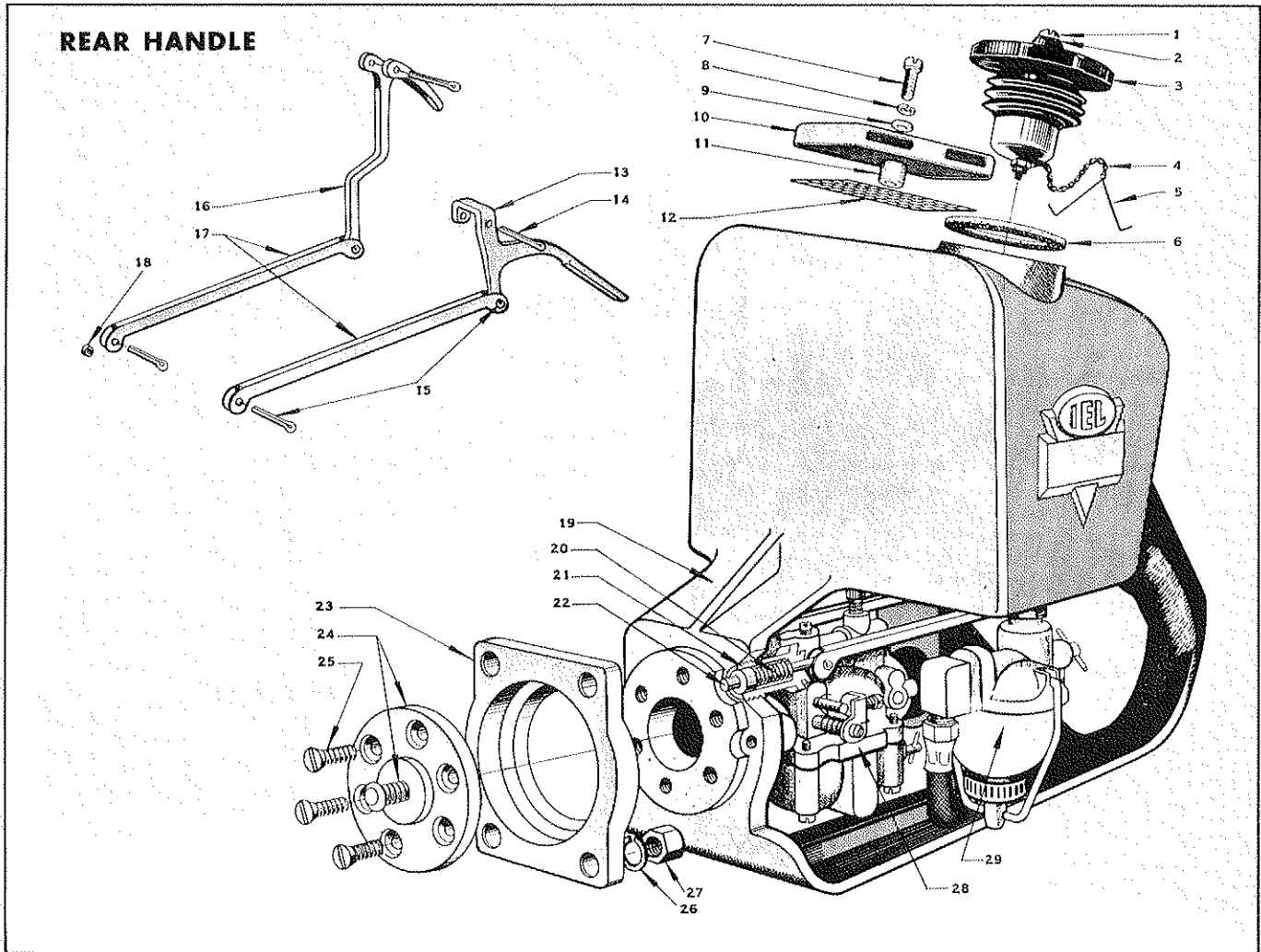


## STARTER PARTS LIST

Ref. No.	Part No.	Description	Qty. Req'd.	Ref. No.	Part No.	Description	Qty. Req'd.
*	470012	Armstrong Starter Assembly	1	17	425057	Starter Cup	1
1	306409	Cylinder Cap Screw	2	18	306514	Starter Screw	4
2	552743	Washer	2	19	550759	Starter Washer	4
3	425335	Ignition Wire Grommet	2	20	306524	Washer	7
4	425075	Stud	4	21	306401	Screw	3
5	425066	Crankshaft Bearing	2	*	470233	Starter Pawl Assembly	2
6	425076	Magneto End Seal	1	22	425273	Spring Retainer PL	2
7	425549	Outer Shroud	1	23	425274	Brake Lever Spring	2
8	304323	Starter Handle Rope Anchor	1	24	425269	Friction Shoe Plate	2
9	602773	Starter Handle	1	25	425272	Brake Lever	1
10	425271	Starter Rope Assembly	1	26	425280	Washer	2
11	425008	Fan Housing	1	27	425277	Brake Washer	2
12	425071	Starter Adapter	1	28	425275	Starter Cover	1
13	304145	Lockwasher	7	29	425276	Rewind Spring	1
14	306397	Fan Housing Nut	4	30	202139	Clip Ring	1
15	425090	Flexloc Nut	1	31	425281	Brake Retainer Washer	1
16	304671	Washer	1	32	425278	Brake Spring	1
				33	425270	Rotor Assembly	1

\*Not Shown

# MODEL HB

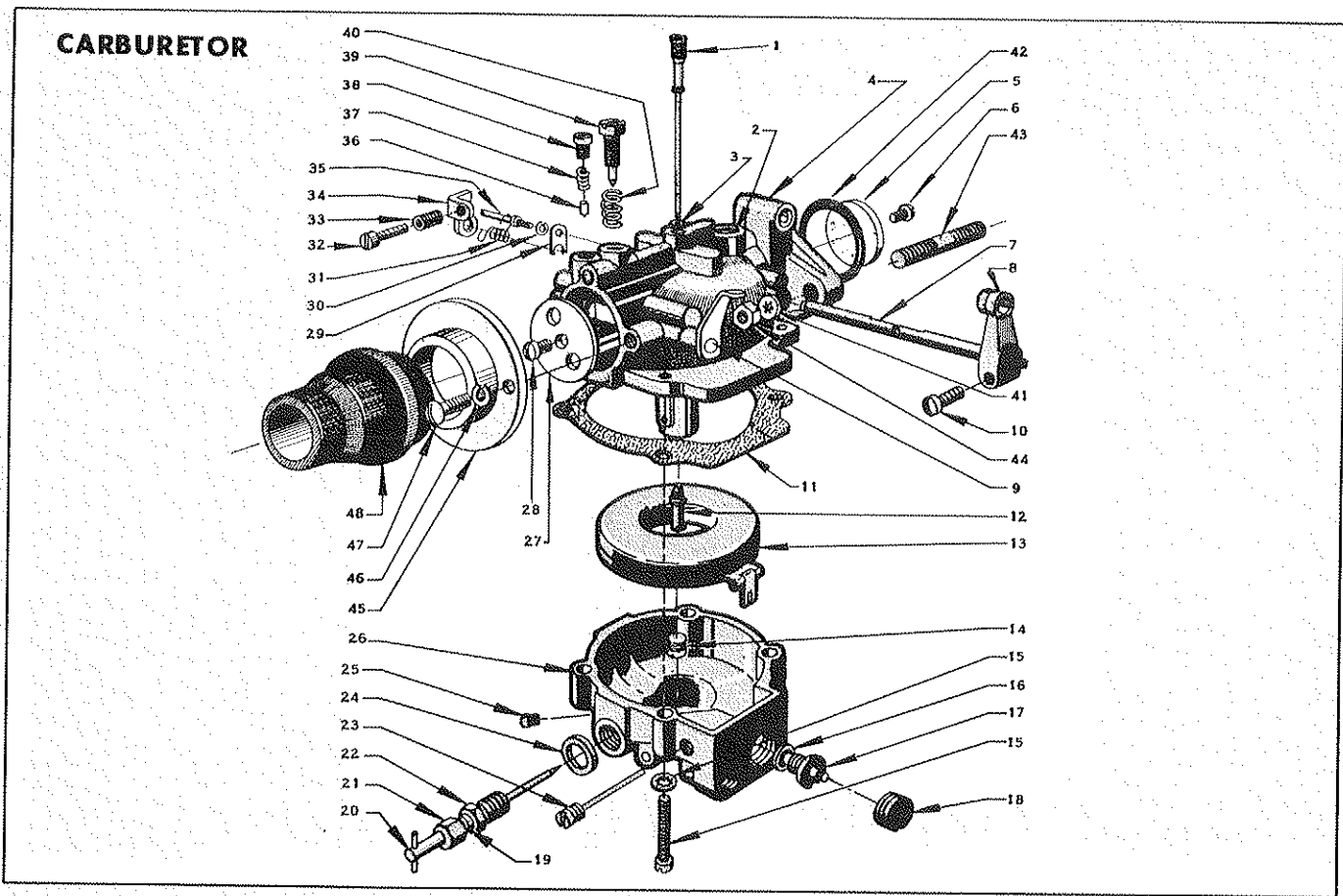


## REAR HANDLE PARTS LIST

Ref. No.	Part No.	Description	Qty. Req'd.	Ref. No.	Part No.	Description	Qty. Req'd.
*	470162	Filler Cap Assembly	1	16	425255	Throttle Trigger	1
1	304619	. Screw	1	17	425256	Control Link	2
2	303916	. Filler Cap Washer	1	18	425257	Control Link Bushing	1
3	470162	. Filler Cap	1	19	470347	Rear Handle, Complete with Car- buretor Studs	1
4	425853	. Filler Cap Chain	1	20	425556	Swivel Lock Spring	1
5	425718	. Lock Spring	1	21	425551	Swivel Lock Body	1
6	425087	. Filler Cap Gasket	1	22	425755	Swivel Lock Pin	1
7	306485	Air Cleaner Screw	1	23	425552	Swivel Ring	1
8	303916	Air Cleaner Lock- washer	1	24	470136	Reed Valve Unit	1
9	306413	Air Cleaner Washer	1	25	307048	Valve Plate Screw	6
10	426000	Air Cleaner Plate	1	26	304145	Lockwasher	4
11	470067	Spacer	1	27	306397	Nut	4
12	425265	Air Cleaner Screen	1	28	470252	Carburetor	1
13	425835	Swivel Lever	1	29	470217	Fuel Filter	1
14	304636	Control Hinge Pin	2				
15	304634	Control Link Cotter Pin	4				

\*Not Shown

# MODEL HB



## CARBURETOR PARTS LIST

Ref. No.	Part No.	Description	Qty. Req'd.	Ref. No.	Part No.	Description	Qty. Req'd.
*	470252	Carburetor Assembly, Complete	1	26	425442	Float Bowl, Service	1
1	425444	Idle Tube Assembly	1	27	425398	Choke Shutter	1
2	425394	Welch Plug 3/8"	1	28	425374	Screw	1
3	425430	Gasket	1	29	425459	Throttle Shaft Clip	1
4	425474	Body, Service	1	30	425387	Lockwasher	1
5	425446	Throttle Shutter	1	31	425447	Throttle Return Spring	1
6	425402	Screw	1	32	425401	Screw	1
7	425454	Throttle Shaft	1	33	425386	Spring	1
8	425388	Throttle Lever	1	34	425445	Throttle Stop Lever	1
9	470116	Choke Shaft and Lever	1	35	425471	Throttle Stop Lever Pin	1
10	425377	Screw	1	36	425407	Choke Friction Plunger	1
11	551142	Float Bowl Gasket	1	37	425399	Friction Plunger Spring	1
12	425439	Nozzle	1	38	425433	Friction Plug Screw	1
13	425428	Float Assembly	1	39	425418	Idle Adjusting Screw	1
14	425392	Headless Plug Screw	1	40	425409	Adjusting Screw Spring	1
15	425410	Screw and Washer	4	41	306355	Lockwasher	2
16	425393	Gasket	1	42	425575	Grommet	1
17	470115	Inlet Needle and Seat	1	43	425581	Stud	2
18	425429	Plug Screw	1	44	306397	Mounting Nut	2
19	425384	Packing	1	45	425268	Carburetor Intake Adapter	1
20	425438	Needle Valve Adjusting Screw	1	46	303293	Intake Adapter Washer	2
21	425383	Packing Nut	1	47	306309	Intake Adapter Screw	2
22	425382	Packing Gland	1	48	425258	Intake Grommet	1
23	425431	Float Pinion Pin	1				
24	425380	Gasket	1				
25	425397	Headless Plug Screw	1				

\*Not Shown

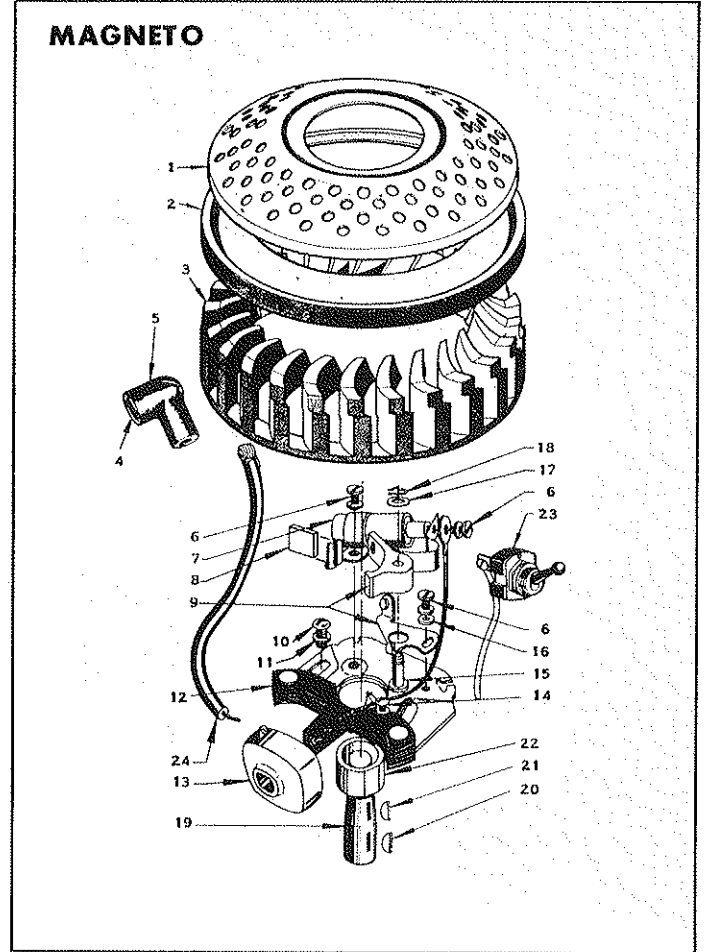
# MODEL HB

## MAGNETO PARTS LIST

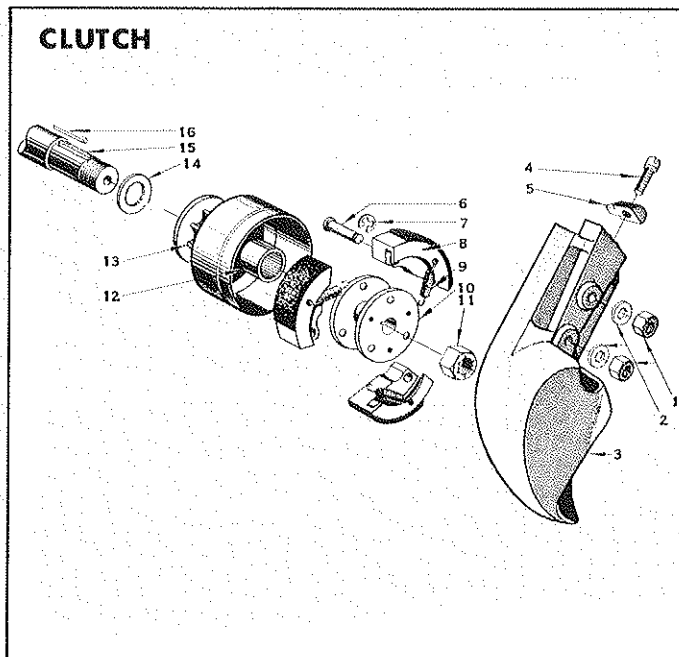
Ref. No.	Part No.	Description	Qty. Req'd.
1	425079	Rotary Screen	1
2	425080	Baffle	1
3	425081	Flywheel Unit	1
4	510231	Sparky Spring	1
5	510232	Rubber Sparky	1
*	470103	Magneto Assembly, Complete	1
6	425370	. Fixed Contact Clamp Screw	3
7	425373	. Condenser	1
8	425694	. Cam Wiper Felt	1
9	425372	. Breaker Contact Set	1
10	300204	. Magneto Stator Screw	2
11	303916	. Magneto Stator Washer	2
12	425963	. Stator Plate Assembly (Includes Stator Plate and Coil Core Only)	1
13	425371	. Coil Group	1
14	425964	. Primary Lead Screw	1
15	425357	. Breaker Arm Pivot Washer	1
16	425356	. Fixed Contact Clamp Screw Washer	1
17	425366	. Breaker Point Spacer Washer	1
18	425358	. Breaker Arm Lock	1
19	425009	Crankshaft	1
20	425100	Magneto Cam Key	1
21	425061	Key	1
22	425826	Magneto Cam	1
23	425101	Ignition Stop Switch	1
24	425010	Ignition Wire	1

\*Not Shown

## MAGNETO



## CLUTCH

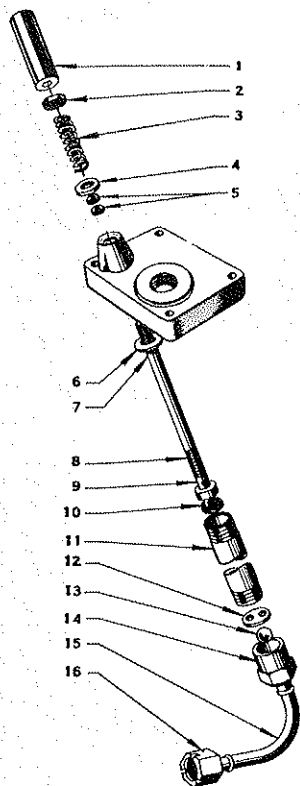


## CLUTCH PARTS LIST

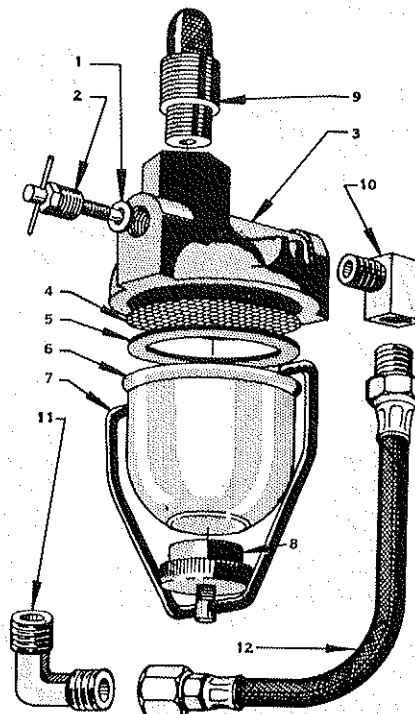
Ref. No.	Part No.	Description	Qty. Req'd.
1	425031	Strut Nut	2
2	425116	Strut Washer	2
3	470051	Strut Assembly	1
4	304622	. Chain Adjusting Screw	1
5	425024	. Chain Adjusting Pin	1
6	425019	Clutch Driver Pin	3
7	202139	Clutch Driver Clip	3
8	470002	Clutch Shoe Assembly	3
9	425012	Clutch Spring	3
10	425018	Clutch Driver	1
11	425092	Clutch Driver Nut	1
12	425091	Sprocket Bearing	1
13	470340	Sprocket	1
14	425015	Inside Sprocket Washer	1
15	425009	Crankshaft Drive End	1
16	425555	Clutch Driving Key	1

# MODEL HB

## OIL PUMP



## FUEL FILTER



### OIL PUMP PARTS LIST

Ref. No.	Part No.	Description	Qty. Req'd.
*	470237	Oil Pump Assembly, Complete	1
1	470158	. Oiler Knob	1
2	306531	. Knob Lock Nut	1
3	425153	. External Spring	1
4	425553	. Washer	1
5	425028	. Oiler Gland	2
6	425021	. Washer	1
7	425834	. Plunger Rod	1
8	425829	. Connecting Spring	1
9	425554	. Plunger	1
10	425905	. Plunger Grommet	1
11	425244	. Oiler Pump Barrel	1
12	425830	. Check Valve Washer	1
13	425622	. Check Valve	1
14	425828	. Oiler Intake Connector	1
15	425831	. Flexible Suction Line	1
16	470255	. Suction Head	1

\*Not Shown

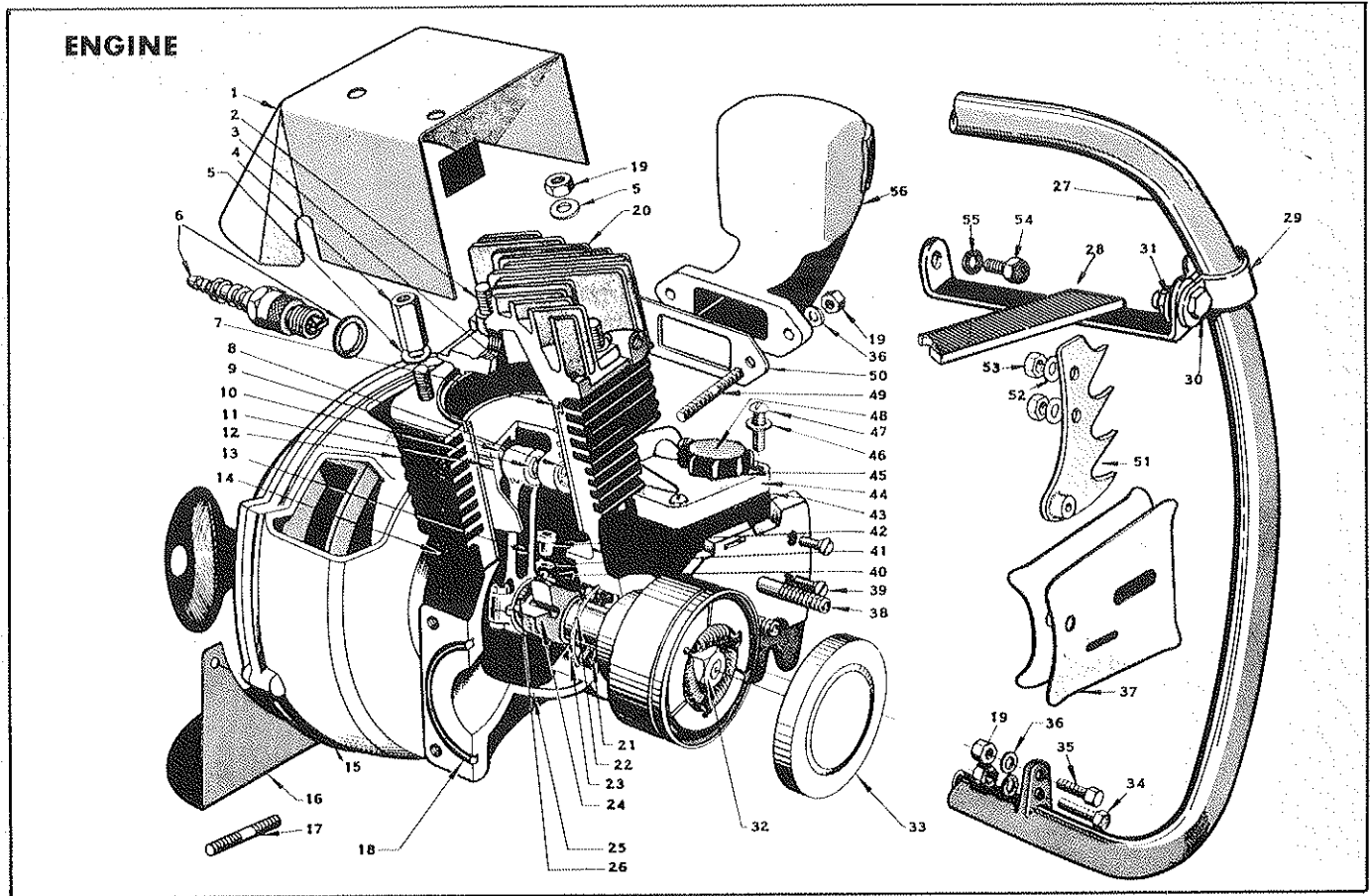
### FUEL FILTER PARTS LIST

Ref. No.	Part No.	Description	Qty. Req'd.
*	470217	Fuel Filter Assembly, Complete	1
1	425384	. Main Adjusting Screw	1
2	425426	. Shut-off Valve and Packing Nut	1
3	425427	. Strainer Cover	1
4	425424	. Strainer Screen	1
5	425748	. Strainer Gasket	1
6	425422	. Strainer Bowl	1
7	470316	. Clamp Wire and Stud	1
8	425425	. Cup and Thumb Nut	1
9	425785	Adapter with Screen	1
10	425118	Street Elbow	1
11	425756	Street Elbow	1
12	470142	Fuel Line	1

\*Not Shown



# MODEL HC



## ENGINE PARTS LIST

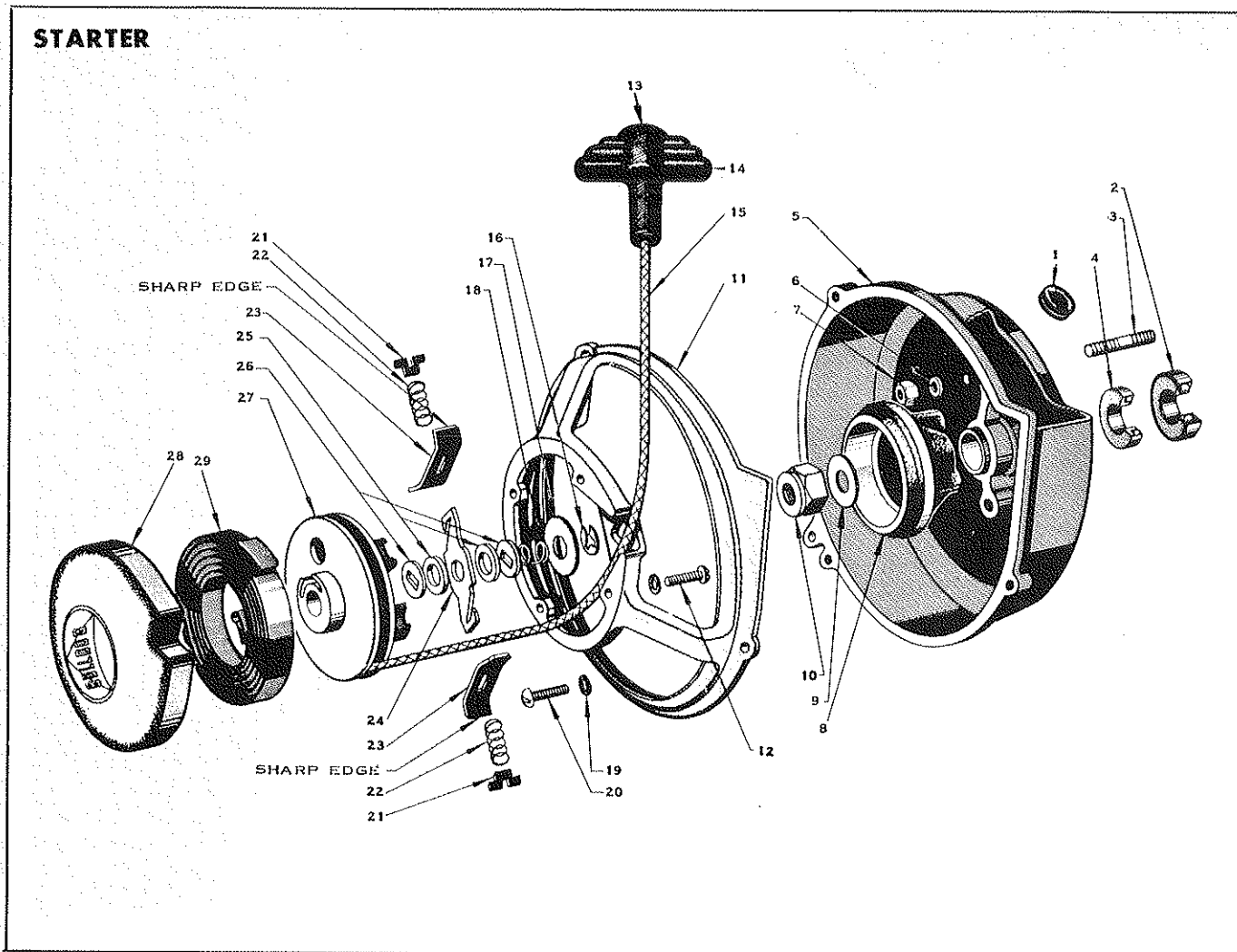
Ref. No.	Part No.	Description	Qty. Req'd.	Ref. No.	Part No.	Description	Qty. Req'd.
1	470010	Inner Shroud	1	28	470009	. Top Brace	1
2	425059	Cylinder Stud	4	29	425557	. Brace Clamp	1
3	425032	Piston	1	30	300977	. Bolt	1
4	425006	Nut, Long	2	31	425108	. Locknut	1
5	552743	Cylinder Head Washer	4	32	425092	Flexloc Nut	1
6	076152	Spark Plug and Gasket	1	33	425020	Clutch Cover	1
7	425005	Cylinder Head Gasket	1	34	304626	Pivot Grip Bolt	1
8	425062	Wrist Pin Retainer	2	35	304625	Front Handle Bolt	2
9	425058	Wrist Pin	1	36	304145	Lockwasher	4
10	425060	Needle Bearing	1	37	425674	Guide Plate	2
11	425007	Piston Ring	2	38	425027	Strut Stud	2
12	470000	Cylinder Block Assy.	1	39	304622	Pivot Grip Screw	2
13	470168	Connecting Rod	1	†40	425063	Connecting Rod Bolt	2
14	425003	Cylinder Base Gasket	1	†41	425065	Connecting Rod Washer	2
15	306514	Starter Plate Screw	2	†42	425064	Connecting Rod Nut	2
16	470001	Starter Plate	1	43	425072	Oiler Gasket	1
17	425068	Rear Handle Stud	4	44	425083	Oil Pump Body	1
18	425030	"O" Ring	1	45	425074	Oiler Filler Cap Gasket	1
19	306397	Nut	6	46	550757	Lockwasher	4
20	425004	Cylinder Head	1	47	306379	Oiler Body Screw	4
21	425077	Drive End Seal	1	48	470360	Oiler Filler Cap	1
22	425067	Clip Ring	1	49	425002	Exhaust Stud	2
23	425066	Main Bearing	2	50	425115	Exhaust Gasket	1
24	425009	Crankshaft	1	51	470014	Pivot Grip, Eastern	1
*	470731	Needle Cage, Two Halves	1	52	550757	Lockwasher	2
25	470238	Crankcase Assembly	1	53	306531	Pivot Grip Nut	2
*	425089	Loose Needles	12	54	300646	Handle Brace Bolt	1
†26	425566	Loose Needles	27	55	306488	Washer	1
27	470008	Front Handle Assy.	1	56	425047	Muffler	1

\*Not Shown

†For service replacement on original connecting rod only.

# MODEL HC

## STARTER

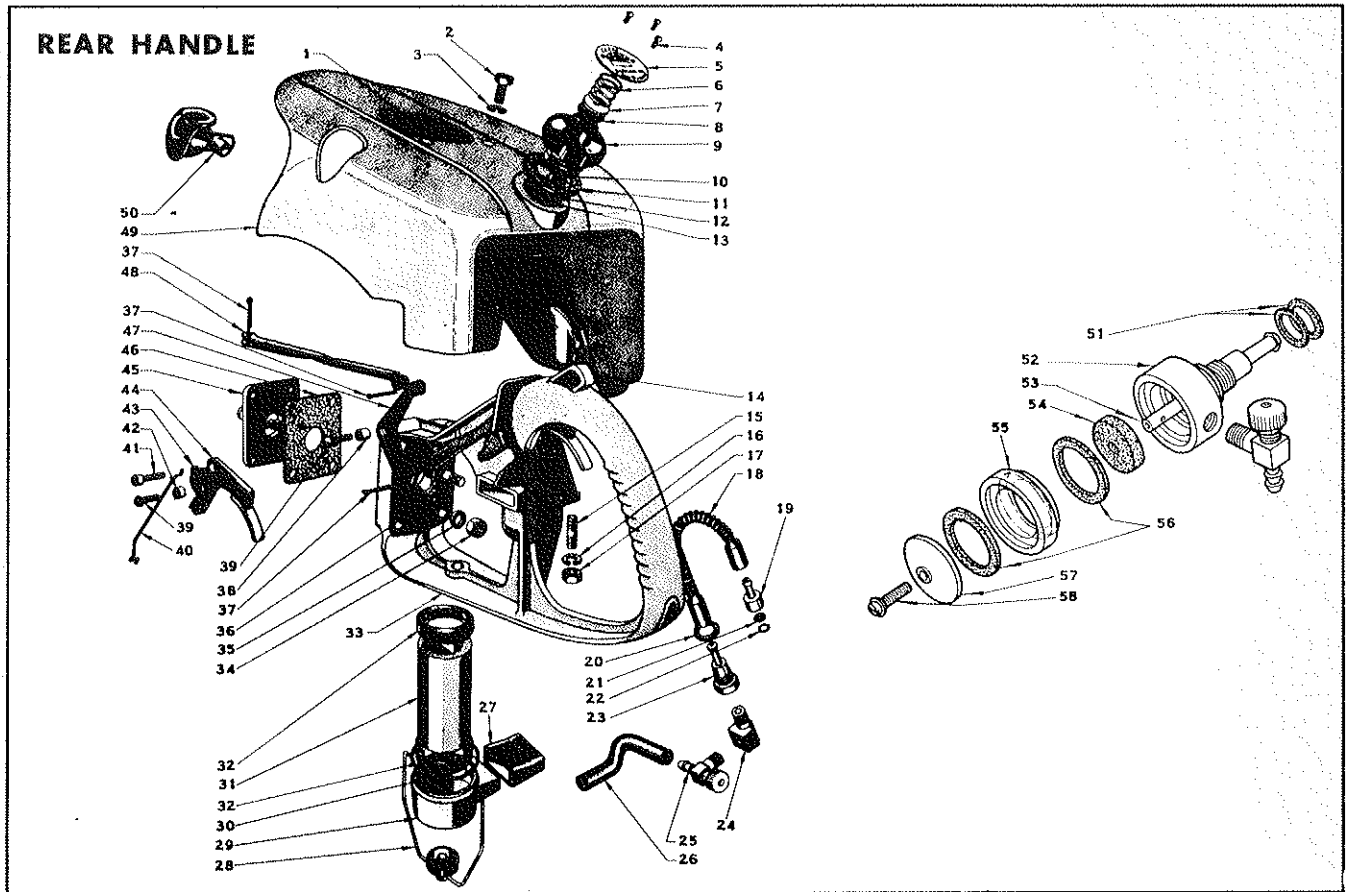


### STARTER PARTS LIST

Ref. No.	Part No.	Description	Qty. Req'd.	Ref. No.	Part No.	Description	Qty. Req'd.
*	470012	Armstrong Starter Assembly	1	15	425271	Starter Rope	1
1	425335	Ignition Wire Grommet	1	16	202139	Clip Ring	1
2	425066	Crankshaft Bearing	2	17	425281	Brake Retainer Washer	1
3	425075	Stud	4	18	425278	Brake Spring	1
4	425076	Magneto End Seal	1	19	120314	Washer	3
5	425008	Fan Housing	1	20	302467	Starter Adapter Screw	1
6	304145	Lockwasher	4	*	470233	Starter Pawl Assembly	1
7	306397	Fan Housing Nut	4	21	425273	. Spring Retainer	2
8	425057	Starter Cup	1	22	425274	. Brake Lever Spring	2
9	304671	Washer	1	23	425269	. Friction Shoe Plate	2
10	425090	Flexloc Nut	1	24	425272	. Brake Lever	1
11	425071	Starter Adapter	1	25	425280	Washer	2
12	425708	Starter Screw	4	26	425277	Brake Washer	2
13	304323	Starter Handle Rope Anchor	1	27	425270	Rotor Assembly	1
14	602773	Starter Handle	1	28	425275	Starter Cover	1
				29	425276	Rewind Spring	1

\*Not Shown

# MODEL HC



## REAR HANDLE PARTS LIST

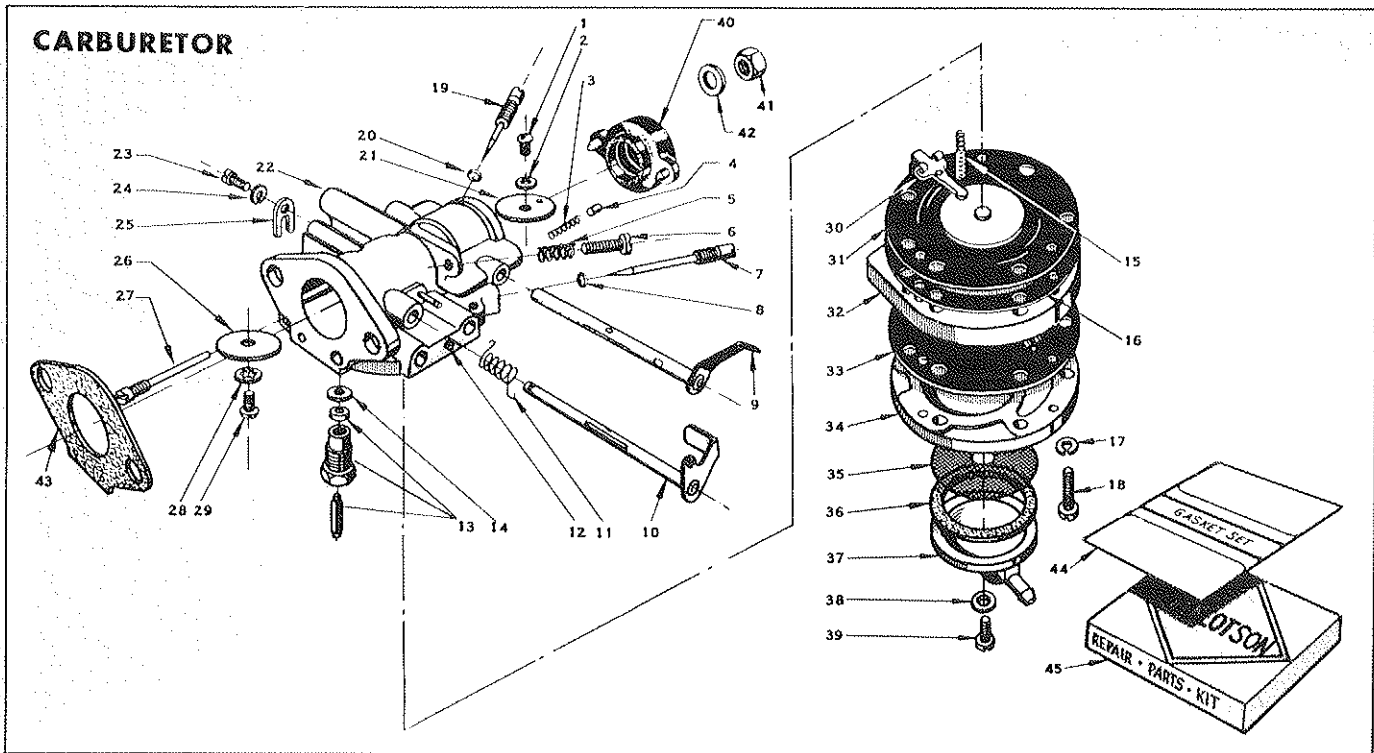
Ref. No.	Part No.	Description	Qty. Req'd.	Ref. No.	Part No.	Description	Qty. Req'd.
1	425634	Name Plate	1	30	425909	"O" Ring	1
2	300635	Outer Shroud Bolt	2	31	470007	Air Cleaner Assembly	1
3	304145	Lockwasher	2	32	425564	. Grommet	2
*	470726	Gas Cap Assembly	1	33	425104	Rear Handle, Complete	1
4	425633	. Gas Cap Screw	3	34	306397	Handle Nut	4
5	426845	. Gas Cap Cover Plate	1	35	304145	Lockwasher	4
6	426844	. Gas Cap Spring	1	36	304624	Carburetor Screw	2
7	425994	. Gas Cap Valve Plate	1	37	425098	Split Rivet	3
8	426013	. Gas Cap Valve	1	38	425040	Oiler Lever Bushing	1
9	425716	. Gas Cap	1	39	306527	Oiler Lever Screw	1
10	425029	. Rivet	1	40	425043	Control Link	1
11	425087	. Gas Cap Gasket	1	41	425045	Trigger Pivot	1
12	425719	. Gas Cap Chain	1	42	425044	Throttle Lever Bushing	1
13	425718	. Gas Cap Lock Spring	1	43	425041	Throttle Lever	1
14	425039	Oiler Push Rod	1	44	425042	Throttle Trigger	1
15	425002	Outer Shroud Stud	1	45	470005	Reed Valve Unit	1
16	304145	Lockwasher	3	46	425836	Reed Valve Gasket	1
17	306397	Nut	1	47	425038	Oiler Lever	2
18	425112	Flexible Pick-up Line	1	48	470018	Connecting Link	1
19	470011	Pick-up Head Body	1	49	470053	Shroud Assembly	1
20	425111	Red Fiber Gasket	1	50	425056	Plug Cover	1
21	425117	Filter Screen	1	† *	470346	Water Trap Assembly	1
22	425095	Piston "O" Ring	1	†51	425111	. Red Fiber Gasket	As Req'd.
●23	425055	Bushing	1	†52	426060	. Water Trap Body	1
●24	425118	Street Elbow	1	†53	426062	. Water Trap Feed Tube	1
25	425113	Shut-off Cock	1	†54	470341	. Felt Strainer	1
26	425110	Fuel Line	1	†55	425049	. Water Trap Bowl	1
27	425051	Grommet	1	†56	425493	. Gasket	2
28	425106	Cup Retainer	1	†57	426061	. Cover	1
29	425107	Air Cleaner Cup	1	†58	425741	. Screw	1

\*Not Shown

● Not used after Serial No. 29281.

† Incorporated at Serial No. 29281.

# MODEL HC



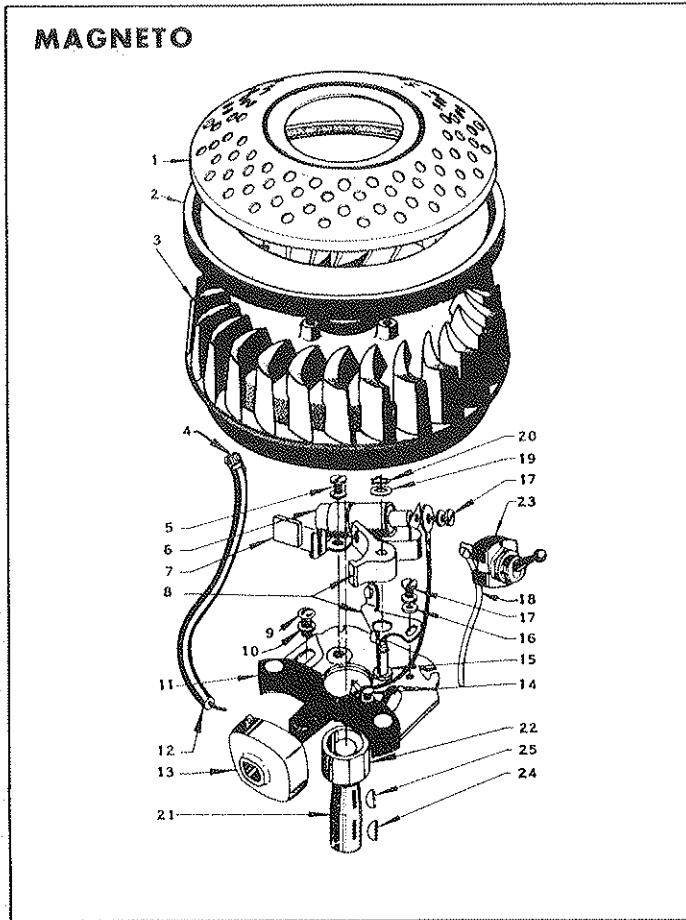
## CARBURETOR PARTS LIST

Ref. No.	Part No.	Description	Qty. Req'd.	Ref. No.	Part No.	Description	Qty. Req'd.
*	470004	Carburetor Assembly	1	20	425502	Adjustment Screw	
†1	426145	Choke Shutter Screw	1			Seal Ring	1
2	306355	Washer	1	21	425456	Choke Shutter	1
3	425450	Choke Friction Pin	1	22	470544	Carburetor Body	1
		Spring	1	23	425390	Clip Retaining Screw	1
†4	425407	Choke Friction Pin	1	24	425387	Clip Lockwasher	1
5	425386	Regulating Screw	1	25	425459	Throttle Shaft Clip	1
		Spring	1	26	425446	Throttle Shutter	1
6	425401	Idle Speed		†27	470395	Control Lever	
		Regulating Screw	1			Pinion Screw	1
†7	470383	Idle Adjustment Screw	1	28	306355	Washer	1
8	425502	Adjustment Screw	1	†29	426145	Throttle Shutter	
		Seal Ring	1			Screw	1
9	470120	Choke Shaft and		30	425489	Inlet Control Lever	1
		Lever	1	†31	470361	Diaphragm	1
10	470121	Throttle Shaft and		32	425491	Diaphragm Cover	1
		Lever	1	33	425506	Fuel Pump Gasket	1
†11	425505	Throttle Shaft Return		34	425490	Fuel Pump Body	1
		Spring	1	†35	425494	Fuel Strainer Screen	1
12	425391	Diaphragm Chamber		36	425493	Strainer Cover	
		Drain Screw	1			Gasket	1
†13	470118	Inlet Needle, Seat		37	425492	Fuel Strainer Cover	1
		and Gasket	1	38	121025	Lockwasher	1
14	425486	Inlet Seat Gasket	1	†39	425741	Strainer Cover Screw	1
†15	425498	Inlet Tension Spring	1	40	425048	Carburetor Grommet	1
16	425496	Diaphragm Cover		41	133175	Nut	2
		Gasket	1	42	306355	Washer	2
17	120122	Lockwasher	5	43	425046	Carburetor Gasket	1
18	426146	Pump Body Screw		†44	470322	Gasket and Packing Kit	1
		and Washer	5	45	470324	Repair Parts Kit	1
†19	470384	Main Adjustment					
		Screw	1				

\*Not Shown

† Items included in Repair Parts Kit Part No. 470324

# MODEL HC



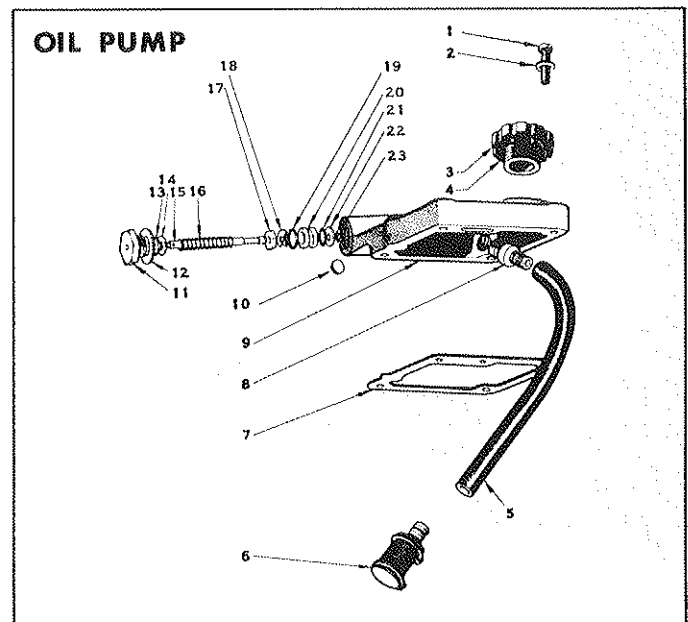
## MAGNETO PARTS LIST

Ref. No.	Part No.	Description	Qty. Req'd.
1	425079	Rotary Air Screen	1
2	425080	Baffle	1
3	425081	Flywheel Unit	1
*	470103	Magneto Assembly, Complete	1
4	510231	Sparky Spring	1
5	425370	Condenser Screw	1
6	425373	Condenser	1
7	425694	Cam Wiper Felt	1
8	425372	Breaker Contact Set	1
9	300204	Magneto Stator Screw	2
10	303916	Magneto Stator Washer	2
11	425963	Stator Plate Assembly, (Includes Stator Plate and Coil Core Only)	1
12	425010	Ignition Wire	1
13	425371	Coil Group	1
14	425964	Primary Lead Screw	1
15	425357	Breaker Arm Pivot Washer	1
16	425356	Fixed Contact Clamp Screw Washer	1
17	425370	Contact Clamp Screw	2
18	470016	Switch Wire Assembly	1
19	425366	Breaker Point Spacer Washer	1
20	425358	Breaker Arm Lock	1
21	425009	Crankshaft	1
22	425826	Magneto Cam	1
23	425101	Ignition Stop Switch	1
24	425100	Magneto Cam Key	1
25	425061	Flywheel Key	1

## OIL PUMP PARTS LIST

Ref. No.	Part No.	Description	No. Req'd.
*	470239	Oil Pump Assembly, Complete	1
1	306379	Screws	4
2	306494	Lockwashers	4
3	470360	Oil Filler Cap	1
4	425074	Gasket	1
5	425086	Flexible Suction Line	1
6	470193	Suction Head Unit	1
7	425072	Gasket	1
8	425073	Oiler Intake Connector	1
9	425083	Oiler Body	1
10	425094	Plug	1
11	425085	Gland Nut	1
12	425093	Gland Gasket	1
13	202612	"O" Ring	1
14	425021	Gland Washer	1
15	425036	Plunger Rod	1
16	425035	Plunger Spring	1
17	425084	Plunger Guide	1
18	425114	Piston Clip	1
19	425095	Piston "O" Ring	1
20	425037	Piston	1
21	425028	Gland "O" Ring	1
22	425021	Plunger Washer	1
23	426004	Plunger Guide Clip	1

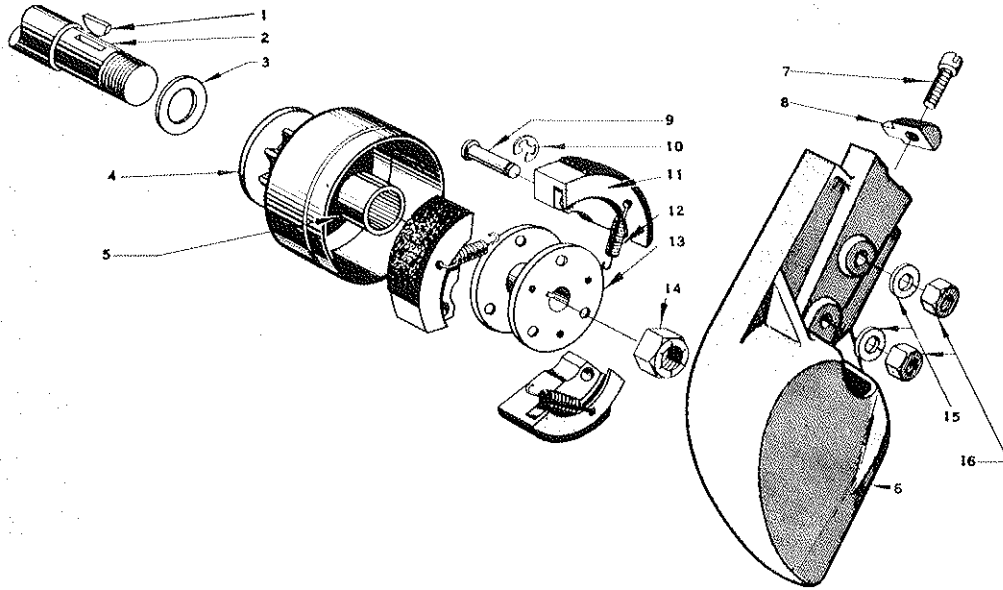
\*Not Shown



\*Not Shown

# MODEL HC

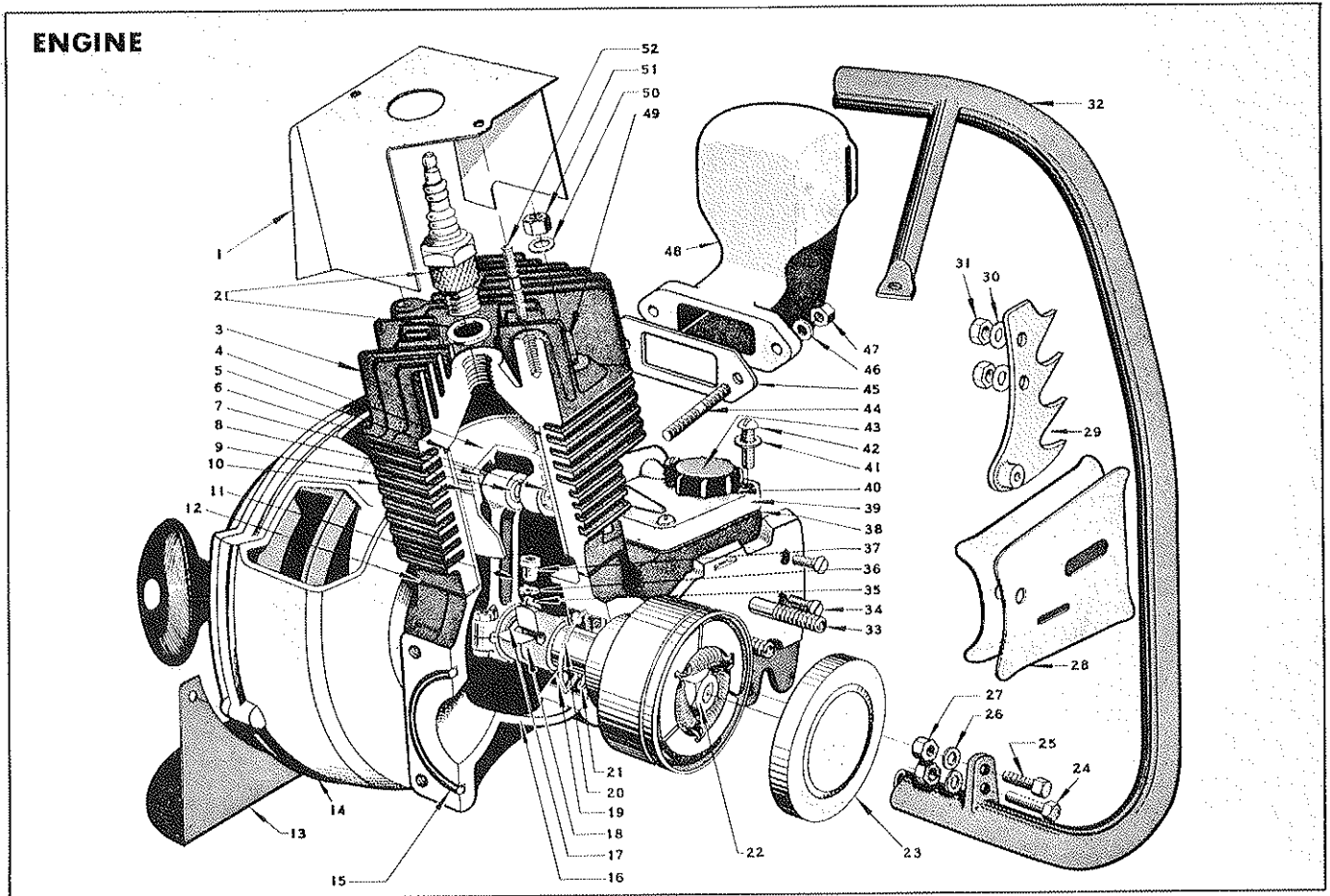
## CLUTCH



### CLUTCH PARTS LIST

Ref. No.	Part No.	Description	Qty. Req'd.
1	425061	Clutch Driver Key	1
2	425009	Crankshaft Drive End	1
3	425015	Inside Sprocket	1
		Washer	1
4	470340	Sprocket	1
5	425091	Sprocket Bearing	1
6	470051	Strut Assembly	1
7	202190	. Chain Adjusting Screw	1
8	425024	. Chain Adjusting Pin	1
9	425019	Clutch Driver Pin	3
10	202139	Clutch Driver Clip	3
11	470002	Clutch Shoe Assembly	3
12	425012	Clutch Spring	3
13	425018	Clutch Driver	1
14	425092	Clutch Driver Nut	1
15	425116	Strut Washer	2
16	425031	Strut Nut	2

# MODEL HM



## ENGINE PARTS LIST

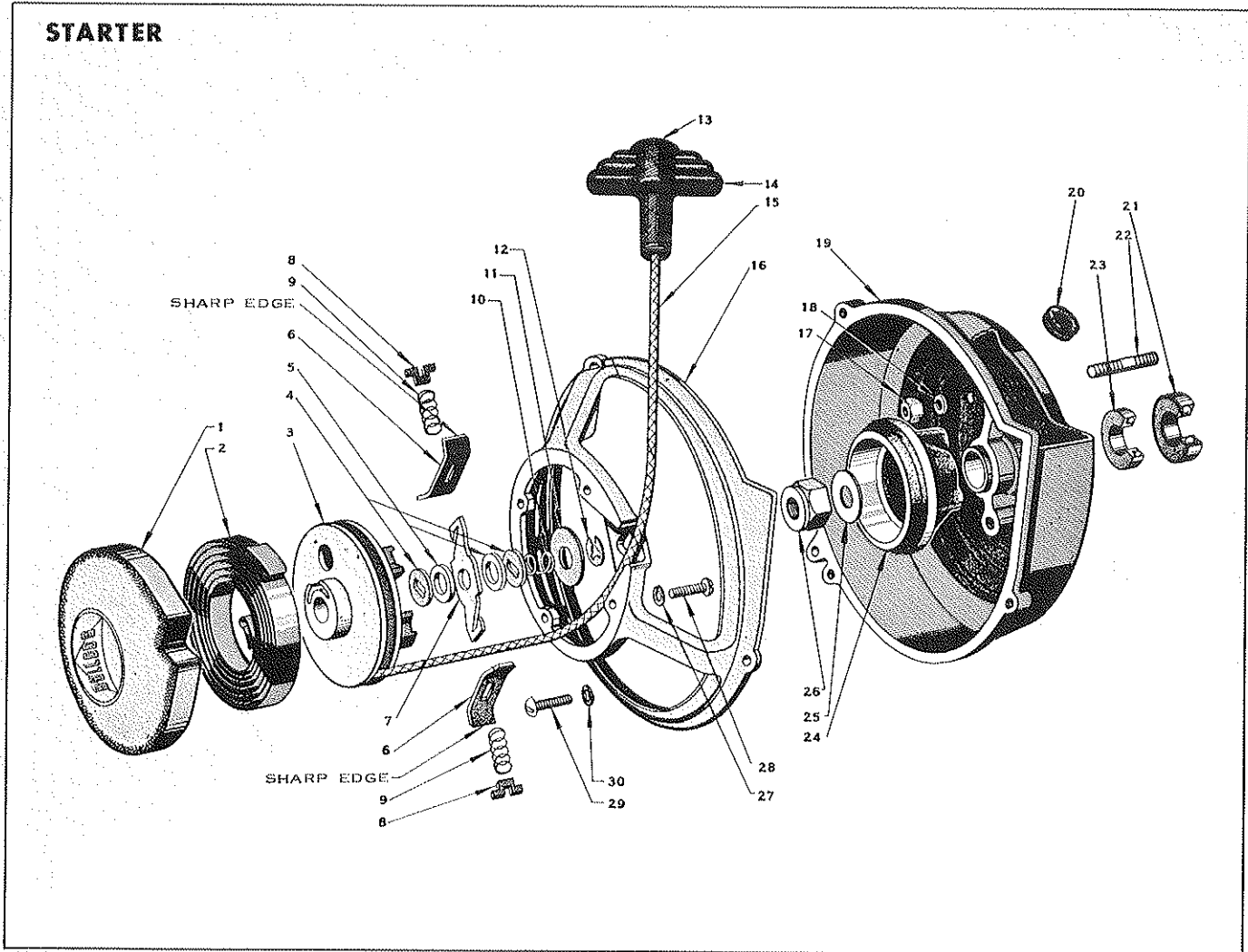
Ref. No.	Part No.	Description	Qty. Req'd.	Ref. No.	Part No.	Description	Qty. Req'd.
1	425252	Inner Shroud	1	24	304626	Pivot Grip Bolt	1
2	076152	Spark Plug and Gasket	1	25	304625	Front Handle Bolts	2
3	425254	Cylinder Head	1	26	304145	Lockwasher	2
4	425032	Piston, Standard	1	27	306397	Nut	2
4	425568	Piston, .020 Oversize	1	28	425674	Guide Plates	2
5	425005	Cylinder Head Gasket	1	29	470014	Pivot Grip	1
6	425062	Wrist Pin Retainer	2	30	306494	Lockwasher	2
7	425058	Wrist Pin	1	31	306531	Nuts	2
8	425060	Needle Bearing	1	32	470065	Front Handle	1
9	425007	Piston Ring, Standard	2	33	425027	Strut Stud	2
9	425567	Piston Ring, .020 Oversize	2	34	304622	Pivot Grip Screws	2
10	470000	Cylinder Block Assy.	1	†35	425063	Connecting Rod Bolts	2
11	470168	Connecting Rod	1	†36	425065	Connecting Rod Washer	2
*	470731	Needle Cage, Two Halves	1	†37	425064	Connecting Rod Nut	2
*	425089	Loose Needles	12	38	425072	Oiler Gasket	1
12	425003	Cylinder Base Gasket	1	39	470239	Oil Pump Body, Complete	1
13	470001	Starter Plate	1	40	425074	Oiler Filler Cap Gasket	1
14	306514	Starter Plate Screws, Bottom	2	41	304141	Lockwasher	4
15	425030	"O" Ring	1	42	306485	Oiler Body Screws	4
16	470165	Crankcase Assembly	1	43	470360	Oiler Filler Cap	1
†17	425566	Loose Needles	27	44	425581	Exhaust Stud	2
18	425009	Crankshaft	1	45	425115	Exhaust Gasket	1
19	425066	Main Bearing	2	46	304145	Lockwasher	4
20	425067	Clip Ring	1	47	306397	Exhaust Nut	2
21	425077	Drive End Seal	1	48	425253	Muffler	1
22	425092	Flexloc Nut	1	49	425059	Cylinder Head Stud	4
23	425020	Clutch Cover	1	50	552743	Cylinder Head Washer	4
				51	306397	Cylinder Head Nut	4
				52	425075	Studs	2

\*Not Shown

†For service replacement on original connecting rod only.

# MODEL HM

## STARTER



### STARTER PARTS LIST

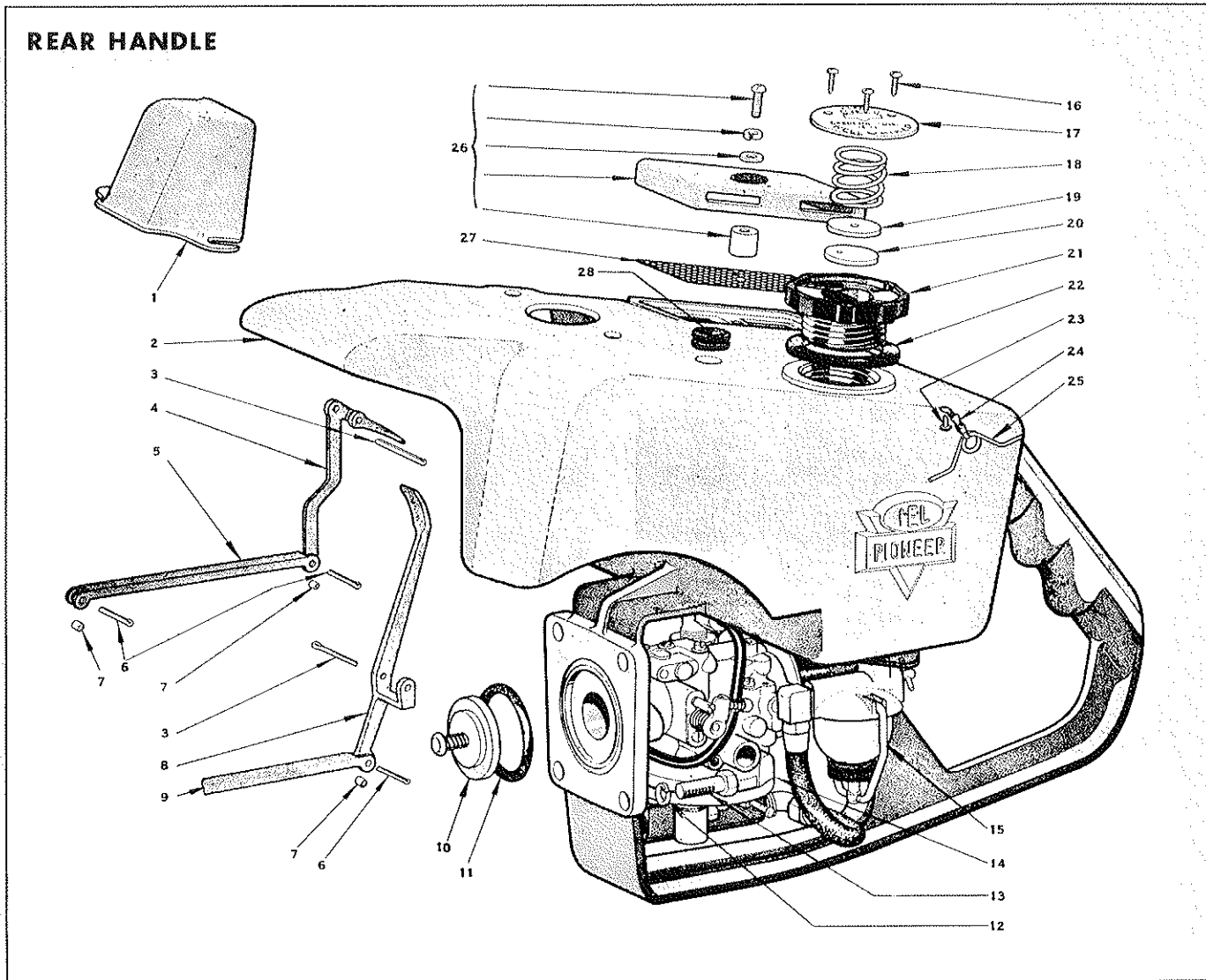
Ref. No.	Part No.	Description	Qty. Req'd.	Ref. No.	Part No.	Description	Qty. Req'd.
*	470012	Armstrong Starter Assembly	1	13	304323	Starter Handle Rope Anchor	1
1	425275	Cover	1	14	602773	Starter Handle	1
2	425276	Rewind Spring	1	15	425271	Starter Rope	1
3	425270	Rotor Assembly	1	16	425071	Starter Adapter	1
4	425277	Brake Washer	2	17	306397	Fan Housing Nut	4
5	425280	Washer	2	18	304145	Lockwasher	7
*	470233	Starter Pawl Assembly	2	19	425008	Fan Housing	1
6	425269	Friction Shoe Plate	2	20	425335	Ignition Wire Grommet	1
7	425272	Brake Lever	1	21	425066	Crankshaft Bearing	2
8	425273	Spring Retainer PL	2	22	425075	Stud	4
9	425274	Brake Lever Spring	2	23	425076	Magneto End Seal	1
10	425278	Brake Spring	1	24	425057	Starter Cup	1
11	425281	Brake Retainer Washer	1	25	304671	Washer	1
12	202139	Clip Ring	1	26	425090	Flexloc Nut	1
				27	550757	Starter Washers	4
				28	306514	Starter Screws	4
				29	302467	Screw	3
				30	120314	Washers	3

\*Not Shown



# MODEL HM

## REAR HANDLE



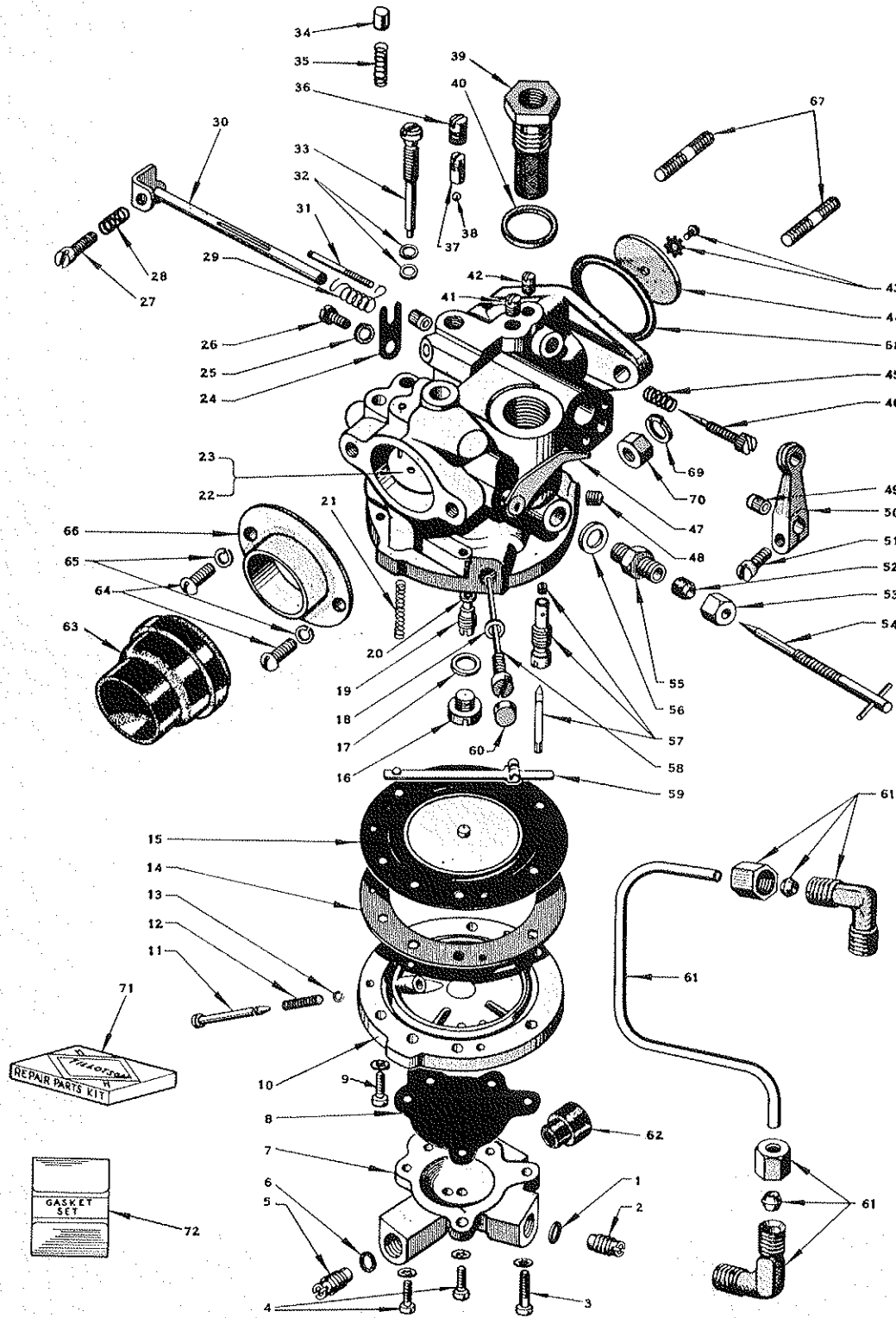
### REAR HANDLE PARTS LIST

Ref. No.	Part No.	Description	Qty. Req'd.	Ref. No.	Part No.	Description	Qty. Req'd.
1	425259	Spark Plug Guard	1	*	470445	Gas Cap Assembly	1
2	470068	Rear Handle (Includes Carburetor Studs)	1	16	425633	. Gas Cap Screw	3
3	304636	Control Hinge Pin	2	17	426236	. Gas Cap Cover Plate	1
4	425255	Throttle Trigger	1	18	425720	. Gas Cap Spring	1
5	425256	Control Link	2	19	425994	. Gas Cap Valve Plate	1
6	304634	Cotter Pin	4	20	426013	. Gas Cap Valve	1
7	425257	Control Link Bushing	2	21	425716	. Gas Cap	1
8	425261	Oiler Lever	1	22	425087	. Gas Cap Gasket	1
9	425260	Connecting Link	1	23	425029	. Rivet	1
10	470069	Reed Valve Unit	1	24	425719	. Gas Cap Chain	1
11	425266	Reed Valve "O" Ring	1	25	425718	. Gas Cap Lock Spring	1
12	304145	Lockwasher	4	26	470067	Air Cleaner Assembly	1
13	300646	Connector Studs	4	27	425265	Air Cleaner Screen	1
14	470049	Carburetor	1	28	425335	Ignition Wire Grommet	1
15	470217	Fuel Filter	1				

\*Not Shown

# MODEL HM

## CARBURETOR



# MODEL HM

## CARBURETOR PARTS LIST

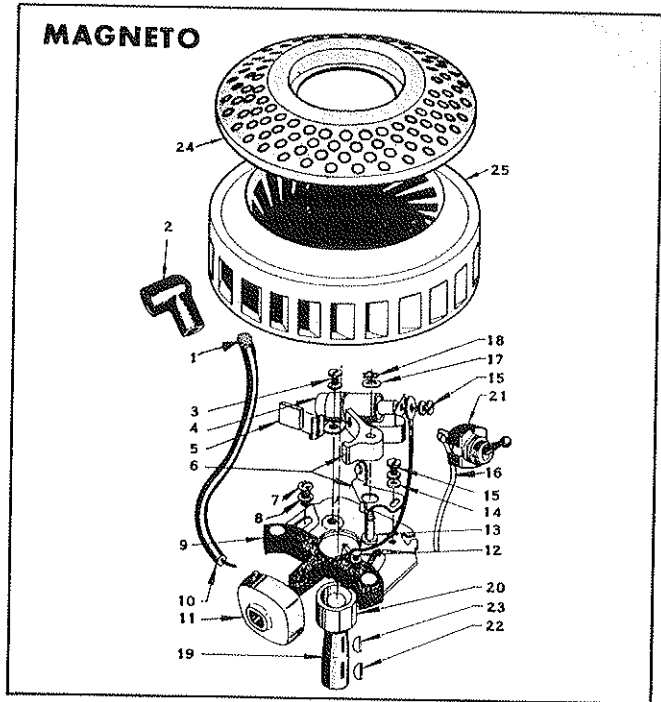
Ref. No.	Part No.	Description	Qty. Req'd.	Ref. No.	Part No.	Description	Qty. Req'd.
*	470049	Carburetor Assembly	1	34	425407	. Choke Friction Pin	1
1	425411	. Fuel Outlet Check Valve Gasket	1	35	425450	. Choke Friction Pin Spring	1
2	425484	. Fuel Outlet Check Valve	1	36	425395	. Body Channel Plug Screw	1
3	426146	. Fuel Pump Body Screw and Lock-washer, Long	1	37	425475	. Idle Check Valve Seat	1
4	470111	. Fuel Pump Body Screw and Lock-washer, Short	2	38	425403	. Idle Check Valve Ball	1
5	425485	. Fuel Inlet Check Valve	1	39	470113	. Inlet Connection and Screen	1
6	425411	. Fuel Inlet Check Valve Gasket	1	40	425461	. Inlet Connection Gasket	1
7	425488	. Fuel Pump Body	1	41	425395	. Body Channel Plug Screw	1
8	425480	. Fuel Pump Diaphragm	1	42	425391	. Body Channel Plug Screw	1
9	470111	. Diaphragm Cover Screw and Lock-washer, Short	5	43	426145	. Throttle Shutter Screw and Lock-washer	1
10	425487	. Diaphragm Cover	1	44	425446	. Throttle Shutter	1
11	425483	. . Flushing Plunger	1	45	425449	. Idle Adjustment Screw Spring	1
12	425482	. . Flushing Plunger Spring	1	46	425464	. Idle Adjustment Screw	1
13	425481	. . Flushing Plunger Retaining Clip	1	47	470112	. Choke Shaft and Lever	1
14	425458	. Diaphragm Cover Gasket	1	48	425392	. Drain Plug Screw	1
15	425465	. Diaphragm	1	49	425469	. Throttle Shaft Bushing	2
16	425460	. Main Nozzle Channel Plug Screw	1	50	425388	. Throttle Stop Lever	1
17	425473	. Main Nozzle Channel Plug Screw Gasket	1	51	425377	. Throttle Stop Lever Retaining Screw	1
18	425379	. Inlet Control Lever Pinion Screw Gasket	1	52	425384	. Main Adjustment Screw Packing	1
19	425466	. Main Nozzle	1	53	425383	. Main Adjustment Screw Packing Nut	1
20	425411	. Main Nozzle Gasket	1	54	425468	. Main Adj. Screw	1
21	425462	. Inlet Tension Spring	1	55	425382	. Main Adjustment Screw Gland	1
22	425374	. Choke Shutter Screw	1	56	425380	. Adjustment Screw Gland Gasket	1
23	425456	. Choke Shutter	1	57	470122	. Inlet Needle Seat and Gasket	1
24	425459	. Throttle Shaft Clip	1	58	425463	. Inlet Control Lever Pinion Screw	1
25	425387	. Throttle Shaft Clip Lockwasher	1	59	425467	. Inlet Control Lever Pinion Cap	1
26	425390	. Throttle Shaft Clip Screw	1	60	425470	. Inlet Control Lever Pinion Cap	1
27	425401	. Idle Speed Regulating Screw	1	61	470141	Fuel Line Assembly	1
28	425386	. Idle Speed Regulating Screw Spring	1	62	425264	Pump Inlet Grommet	1
29	425447	. Throttle Shaft Return Spring	1	63	425258	Carburetor Intake Grommet	1
30	470114	. Throttle Shaft and Lever	1	64	304617	Intake Adapter Screw	2
31	425400	. Throttle Shaft Return Spring Anchor Pin	1	65	120122	Intake Adapter Washer	2
32	425477	. Inlet Tension Spring Retaining Screw Washer (Copper)	2	66	425268	Carburetor Intake Adapter	1
33	425479	. Inlet Tension Spring Retaining Screw	1	67	425581	Stud	2
				68	425575	Grommet	1
				69	306355	Carburetor Mounting Lockwasher	2
				70	306397	Carburetor Mounting Nut	2
				71	470323	Repair Parts Kit	1
				72	470321	Gasket Set	1

\*Not Shown

# MODEL HM

## MAGNETO PARTS LIST

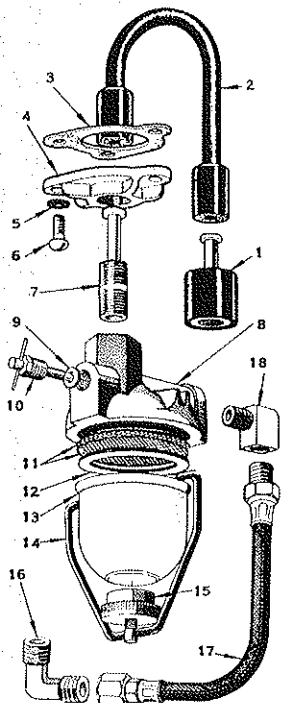
Ref. No.	Part No.	Description	Qty. Req'd.
*	470103	Magneto Assembly, Complete	1
1	510231	Sparky Spring	1
2	510232	Rubber Sparky	1
3	425370	Condenser Screw	1
4	425373	Condenser	1
5	425694	Cam Wiper Felt	1
6	425372	Breaker Contact Set	1
7	300204	Magneto Stator Screw	2
8	303916	Magneto Stator Washer	2
9	425963	Stator Plate Assembly, (Includes Stator Plate and Coil Core Only)	1
10	425010	Ignition Wire	1
11	425371	Coil Group	1
12	425964	Primary Lead Screw	1
13	425357	Breaker Arm Pivot Washer	1
14	425356	Fixed Contact Clamp Screw Washer	1
15	425370	Contact Clamp Screw	2
16	470016	Switch Wire Assembly	1
17	425366	Breaker Point Spacer Washer	1
18	425358	Breaker Arm Lock	1
19	425009	Crankshaft	1
20	425826	Magneto Cam	1
21	425101	Ignition Stop Switch	1
22	425100	Magneto Cam Key	1
23	425061	Flywheel Key	1
24	425079	Rotary Air Screen	1



Ref. No.	Part No.	Description	Qty. Req'd.
25	425081	Flywheel Unit	1
NOTE			
Installation of service replacement Flywheel Unit Part No. 425081 necessitates the use of the following part.			
*	425080	Baffle	1

\*Not Shown

## FUEL FILTER

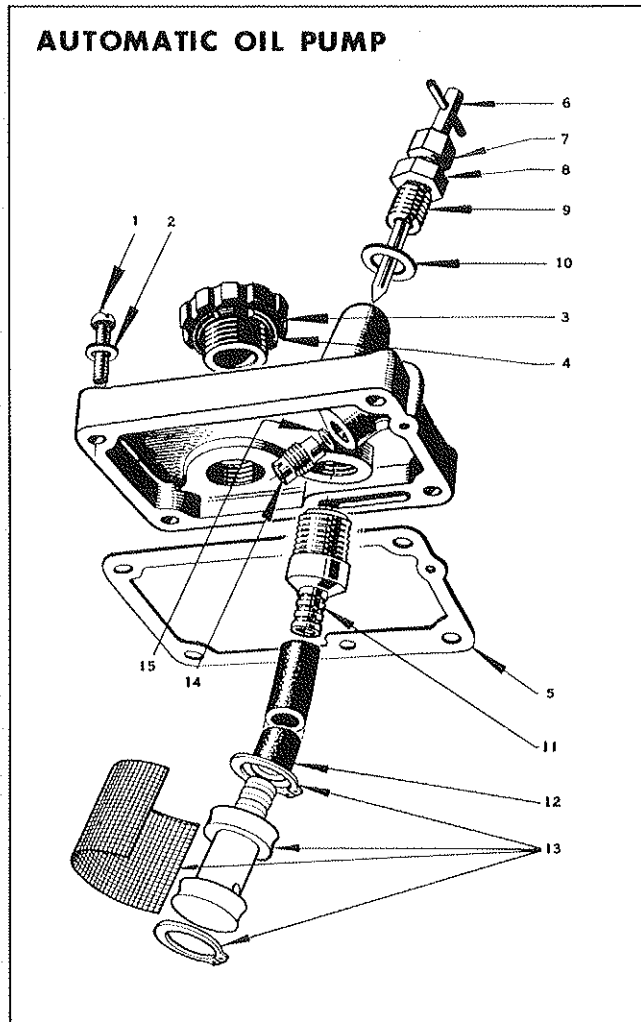


## FUEL FILTER PARTS LIST

Ref. No.	Part No.	Description	Qty. Req'd.
*	470217	Fuel Filter Assembly, Complete	1
1	470070	Pickup Head Unit	1
2	425112	Flexible Pickup Line	1
3	425263	Fuel Filter Gasket	1
4	425262	Fuel Filter Holder	1
5	303916	Washer	3
6	306460	Holder Screw	3
7	425561	Flexible Pickup Connector	1
8	425427	Strainer Cover	1
9	425384	Main Adjustment Screw Packing	1
10	425426	Shut-off Valve and Packing Nut	1
11	425424	Strainer Screen	2
12	425748	Strainer Gasket	1
13	425422	Strainer Bowl	1
14	470316	Clamp Wire and Stud	1
15	425425	Cup and Thumb Nut	1
16	425756	Male Elbow	1
17	470140	Fuel Line	1
18	425118	Street Elbow	1

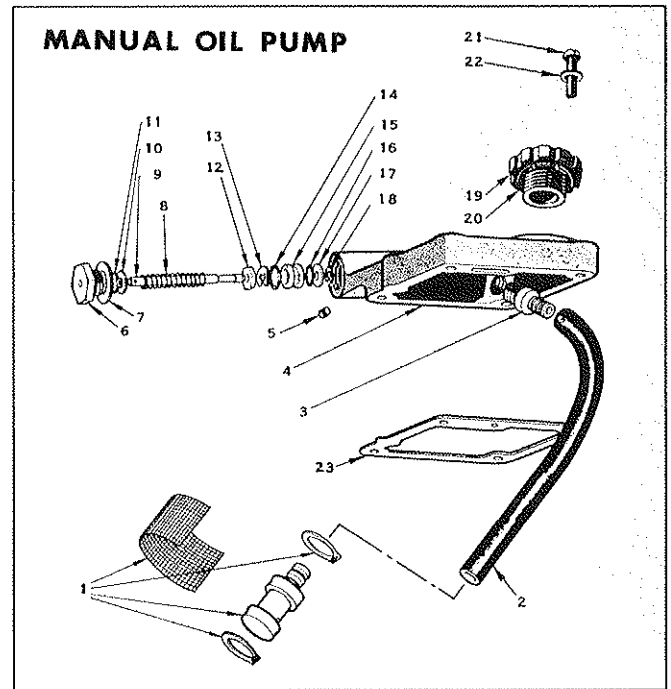
\*Not Shown

# MODEL HM



## AUTOMATIC OIL PUMP PARTS LIST

Ref. No.	Part No.	Description	Qty. Req'd.
1	306527	Screw	4
2	304141	Washer	4
3	470235	Oiler Filler Cap	1
4	425074	Gasket	1
5	425072	Oiler Body Gasket	1
6	425438	Pressure Adjusting Screw	1
7	425383	Adjusting Screw Nut	1
8	425384	Packing	1
9	425382	Adjusting Screw Gland	1
10	425380	Gasket	1
11	425073	Tube Oiler Connector	1
12	425344	Flexible Tube	1
13	470193	Pickup Head	1
14	425484	Check Valve Unit	1
15	425411	Gasket	1



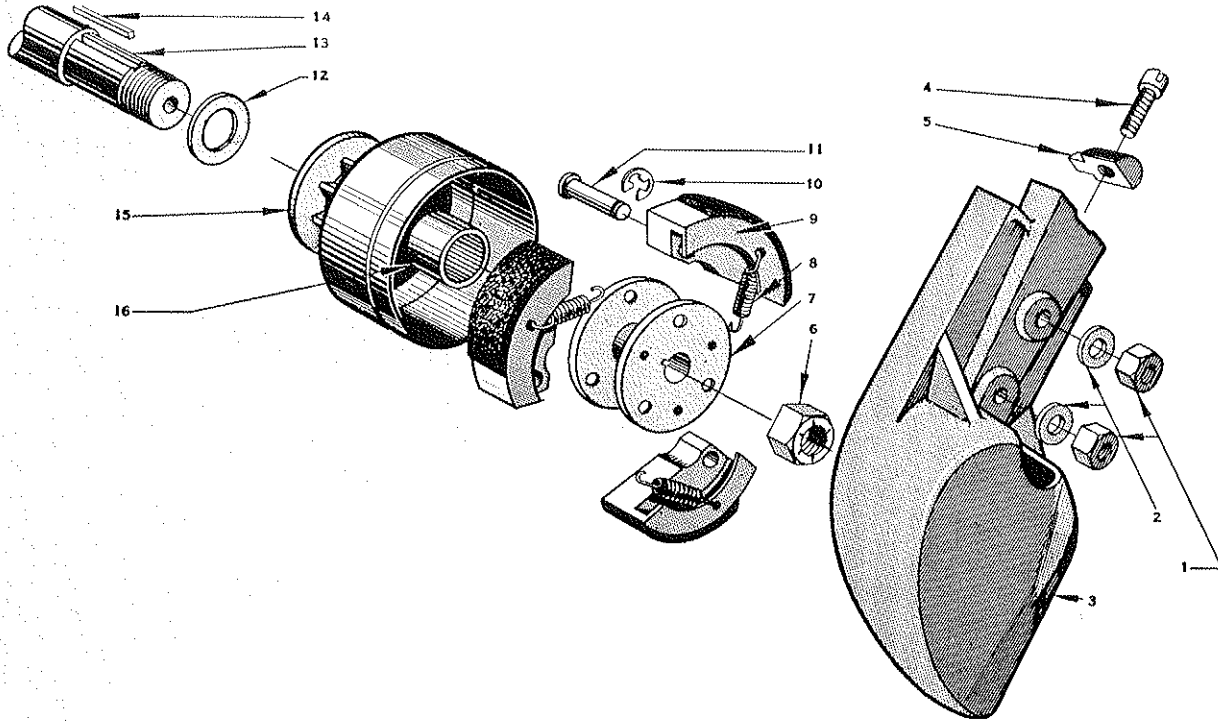
## MANUAL OIL PUMP PARTS LIST

Ref. No.	Part No.	Description	Qty. Req'd.
*	470239	Oil Pump Assembly, Complete	1
1	470193	. Suction Head Unit	1
2	425086	. Flexible Suction Line	1
3	425073	. Oiler Intake Connector	1
4	425083	. Oiler Body	1
5	425395	. Plug	1
6	425085	. Gland Nut	1
7	425093	. Gland Gasket	1
8	425323	. Plunger Spring	1
9	425338	. Plunger Rod	1
10	425021	. Gland Washer	1
11	202612	. "O" Ring	1
12	425084	. Plunger Guide Clip	1
13	425103	. Plunger Clip	1
14	425095	. Piston "O" Ring	1
15	425562	. Piston	1
16	425028	. Gland "O" Ring	1
17	425021	. Plunger Washer	1
18	426004	. Plunger Guide Clip	1
19	470360	. Oiler Filler Cap	1
20	425074	. Gasket	1
21	306527	Screw	4
22	304141	Lockwasher	4
23	425072	Gasket	1

\*Not Shown

# MODEL HM

## CLUTCH



### CLUTCH PARTS LIST

Ref. No.	Part No.	Description	Qty. Req'd.
1	425031	Strut Nut	2
2	425116	Strut Washer	2
3	470051	Strut Assembly	1
4	304622	. Adjusting Screw	1
5	425024	. Chain Adjuster Pin	1
6	425092	Clutch Driver Nut	1
7	425018	Clutch Driver	1
8	425012	Clutch Spring	3
9	470002	Clutch Shoe Assembly	3
10	202139	Clutch Driver Clip	3
11	425019	Clutch Driver Pin	3
12	425015	Inside Sprocket Washer	1
13	425009	Crankshaft	1
14	425555	Clutch Driving Key	1
15	470340	Sprocket and Drum Assembly	1
16	425091	. Sprocket Bearing	1