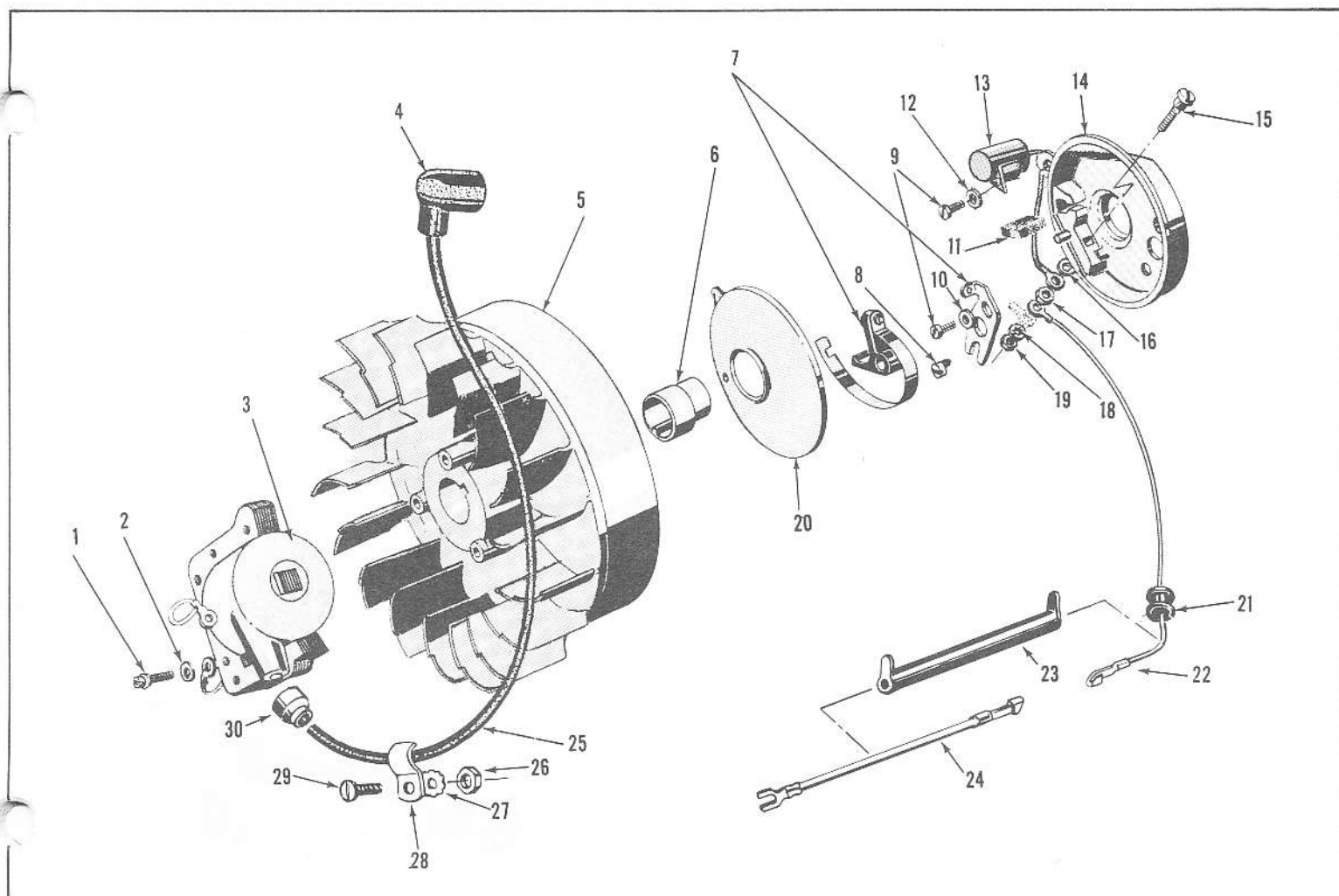


CARBURETOR AND REED VALVE ASSEMBLIES PARTS LIST

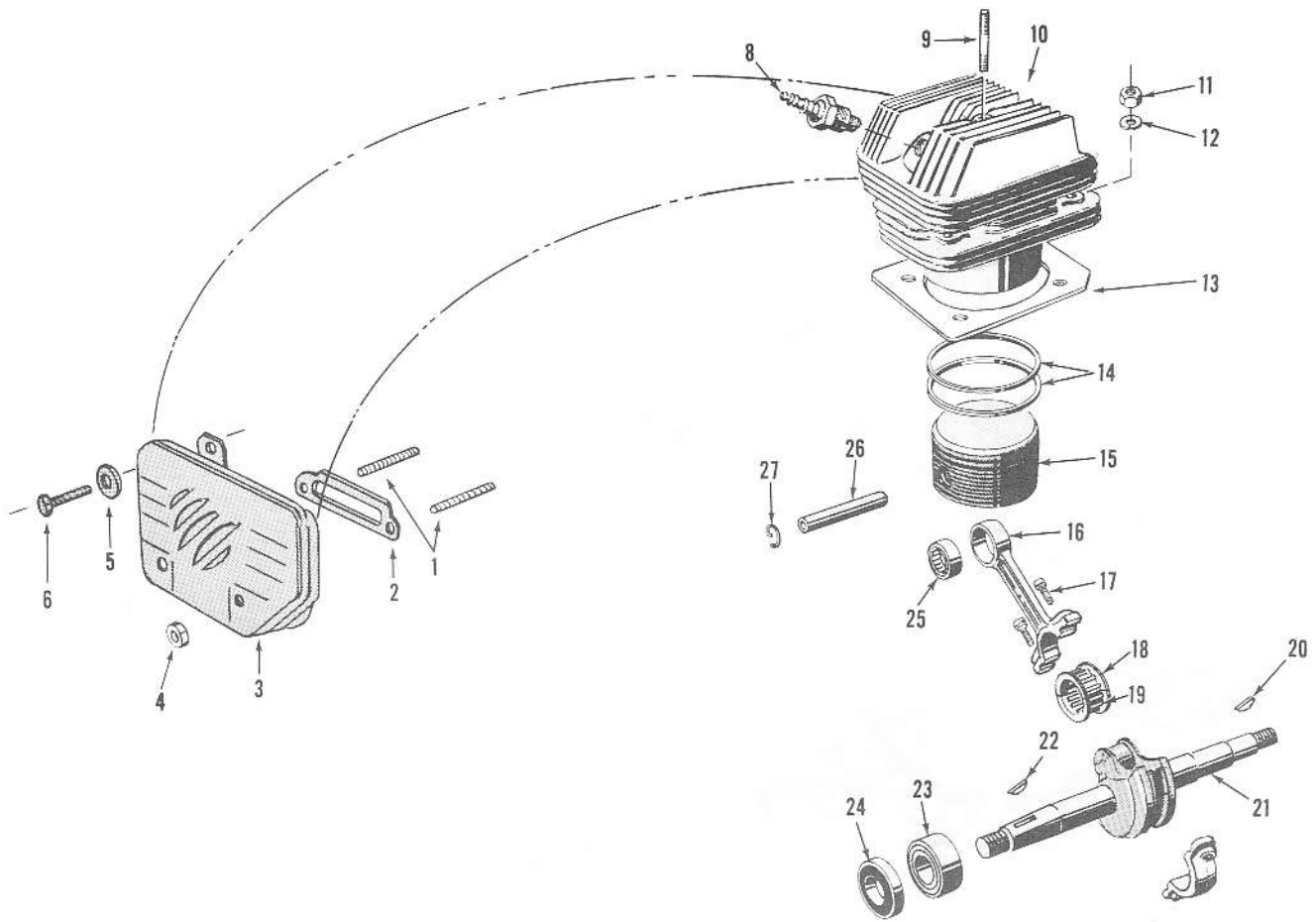
Ref. No.	Part No.	Description	Qty. Req'd.	Ref. No.	Part No.	Description	Qty. Req'd.
†	473336	Carburetor Assy. Complete	1	27	202310	Core Plug	1
1	428752	Gasket	1	28	303405	Core Plug	1
2	428751	Insulating Block	1	29	309457	Screw (Hinge Pin)	1
3	427136	Gasket (Rear Handle)	1	30	309456	Hinge Pin	1
4	471116	Reed Valve Assy.	1	31	309420	Lever (Inlet Control)	1
5	427137	Gasket (Reed to Carb.)	1	32	427123	Screen	1
6	304609	Keps Nut	2	33	427369	Gasket (Screen)	1
7	304201	Lead Shot	2	34	310407	Cover	1
8	472207	Choke Shaft & Lever Assembly	1	35	306915	Screw (Cover)	1
9	473337	Carburetor Body & Bushing Assy.	1	36	427248	Screw (Hsg. to Body)	6
10	309448	Choke Valve	1	37	306310	Washer	6
11	303760	Screw (Choke Valve)	2	38	310822	Screw (Valve to Hsg.)	2
12	309449	Friction Pin	1	39	379234	Fuel Pump Diaphragm & Gasket Set	1
13	303236	Spring	1	40	309323	Plate (Diaphragm - Carb.)	1
14	309473	Spring (Idle Adj.)	1	41	379233	Metering Diaphragm & Gasket Set	1
15	309462	Screw (Idle Adj.)	1	42	309463	Metering Gasket	1
16	307191	Screw	1	43	309464	Pump Gasket	1
17	310942	Retainer	1	44	309466	Valve (Fuel Pump)	2
18	309444	Spring Throttle Shaft	1	45	309320	Hsg. & Nipple Assy.	1
19	471935	Throttle Shaft Assembly	1	46	427126	Pickup Line	1
20	379232	Low Speed Adj. Needle	1	47	379235	Repair Kit	1
21	304598	"O" Ring (Low & High Speed)	2	48	427135	Retainer Plate	4
22	379232	Hi Speed Adj. Needle	1	49	303764	Screw (Plate)	8
23	473338	Inlet Needle & Seat Assembly	1	50	303760	Screw (Throttle Valve)	2
24	309455	Spring (Lever)	1	51	311767	Throttle Valve	1
25	309422	Check Valve	1	52	427134	Reed	4
26	309421	Valve Seat	1				



MAGNETO PARTS LIST

Ref. No.	Part No.	Description	Qty. Req'd.
1	510397	Screw	3
2	300154	Washer	1
3	580454	Oil & Lamination Assy.	1
4	580339	Sparky Assy.	1
5	471937	Flywheel Assy.	1
6	510603	Cam	1
7	580560	Breaker Point Set	1
8	510185	Eccentric Screw	1
9	307193	Screw (Cond. to C'Case)	2
10	303497	Washer	1
11	429505	Oiler Wick	1
12	303497	Washer	1
13	426528	Condenser	1
14	510579	Hsg. (Contact Breaker)	1
15	426522	Terminal Screw	1

Ref. No.	Part No.	Description	Qty. Req'd.
16	307189	Washer	1
17	302437	Nut	1
18	307247	Washer	1
19	302437	Nut	1
20	510577	Cover (Breaker Hsg.)	1
21	425338	Switch Wire Grommet	1
22	471985	Switch Wire Assy. (Mag. End)	1
23	303806	Insulating Sleeve	1
24	471986	Switch End (Wire Assy.)	1
25	426232	Hi Tension Wire	1
26	130450	Nut	1
27	303916	Washer	1
28	120001	Clamp	1
29	302812	Screw	1
30	313586	Insulating Cover	1



ENGINE PARTS LIST

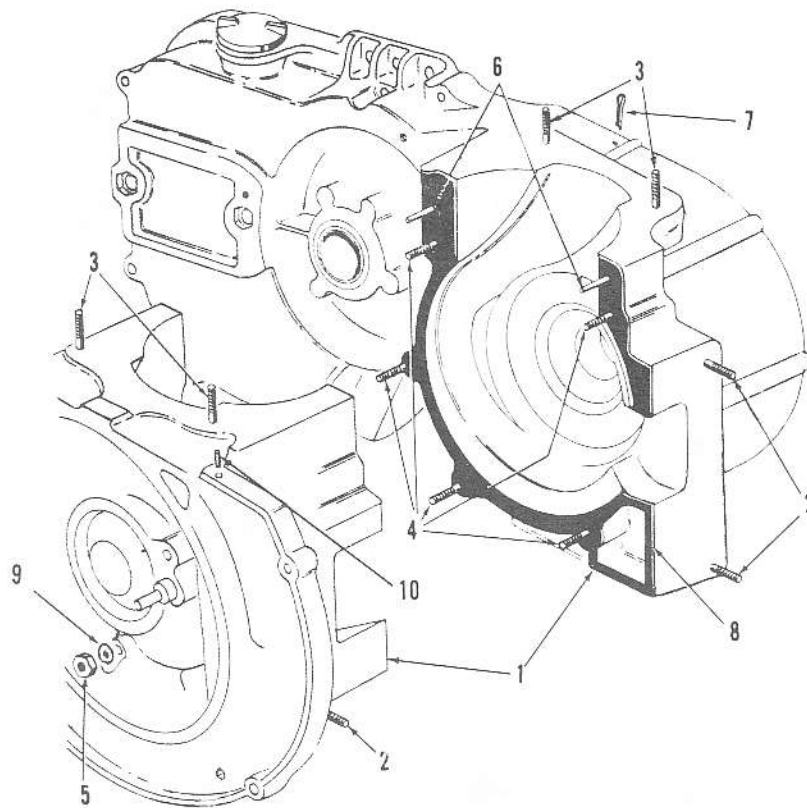
Ref. No.	Part No.	Description	Qty. Req'd.
1	427601	Stud (Muffler)	2
2	427600	Gasket (Muffler)	1
3	471860	Muffler Assy.	1
4	304609	Nut (Muffler)	2
5	308134	Washer (Muffler)	1
6	302468	Screw (Muffler)	1
8	428586	C-J 6 Spark Plug ●	1
9	429353	Stud	1
10.	473262	Cylinder Assy. (1771)	1
11.	306397	Nut (Cylinder to Crankcase)	4
12	306396	Washer (Cylinder to Crankcase)	4
13	427523	Gasket (Cyl. Base) Pack Of 5 - 471241	1
14	473381	Ring Set	1
15	473382	Piston W/ Dowel Pin	1

Ref. No.	Part No.	Description	Qty. Req'd.
16	470168	Connecting Rod	1
17	304610	Screw - Socket Head	2
18	470927	Bearing Cage Assy.	1
19	470926	Needles (Pkg. of 12)	1
20	427179	Key - Clutch (1771)	1
21	471942	Crankshaft (1771 Only)	1
	427365	Crankshaft (1870) Only)	1
22	425061	Key - Flywheel	1
23	425066	Bearing	2
24	425076	Seal	2
25	429131	Needle Brg.	1
26	427480	Wrist Pin	1
27	425062	Retaining Pin	2

● Optional CJ4 428936

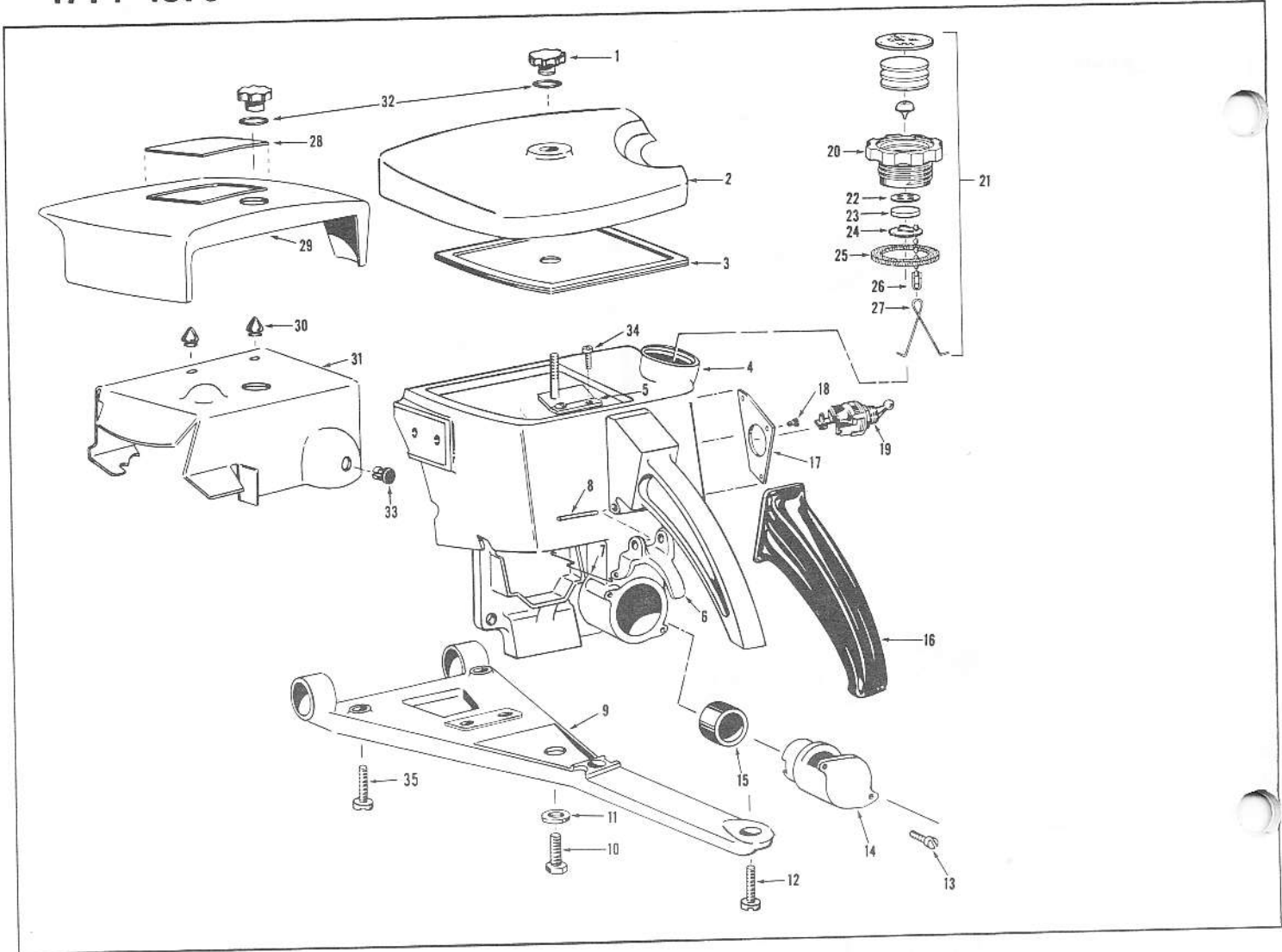
* 473263 - Cylinder Ass'y. (1870)

CRANKCASE



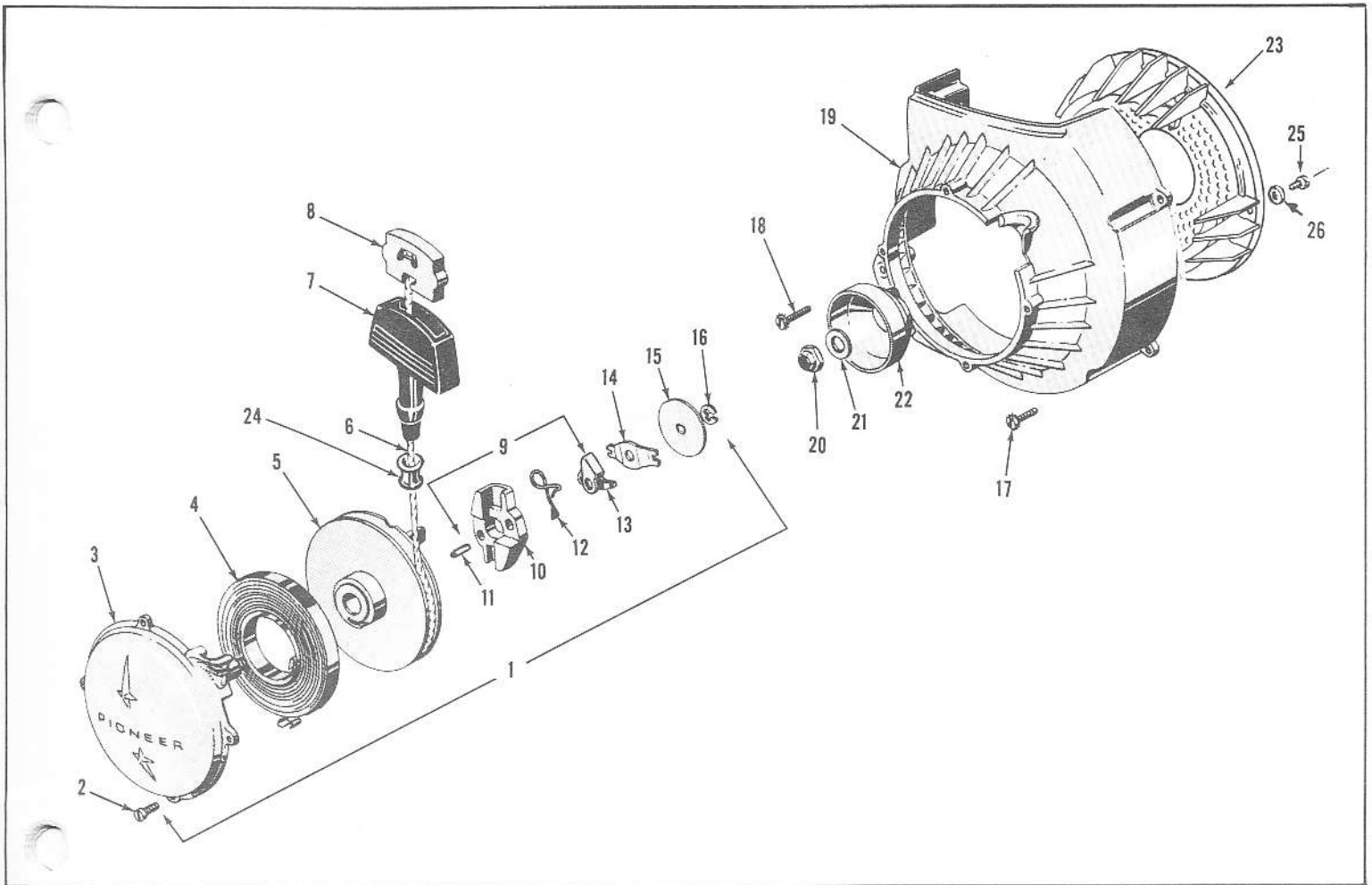
CRANKCASE PARTS LIST

Ref. No.	Part No.	Description	Qty. Req'd.
1	472154	C'Case	1
2	426642	Stud (C'Case - Rear Handle)	4
3	425578	Stud (Cylinder)	4
4	425578	Stud (Blower Half)	5
5	306397	Nut	2
6	427073	Taper Pin	2
7	306370	Cotter Pin	1
8	427509	Gasket	1
9	306396	Washer	2
10	311534	Roll Pin	1



REAR HANDLE ASSEMBLY

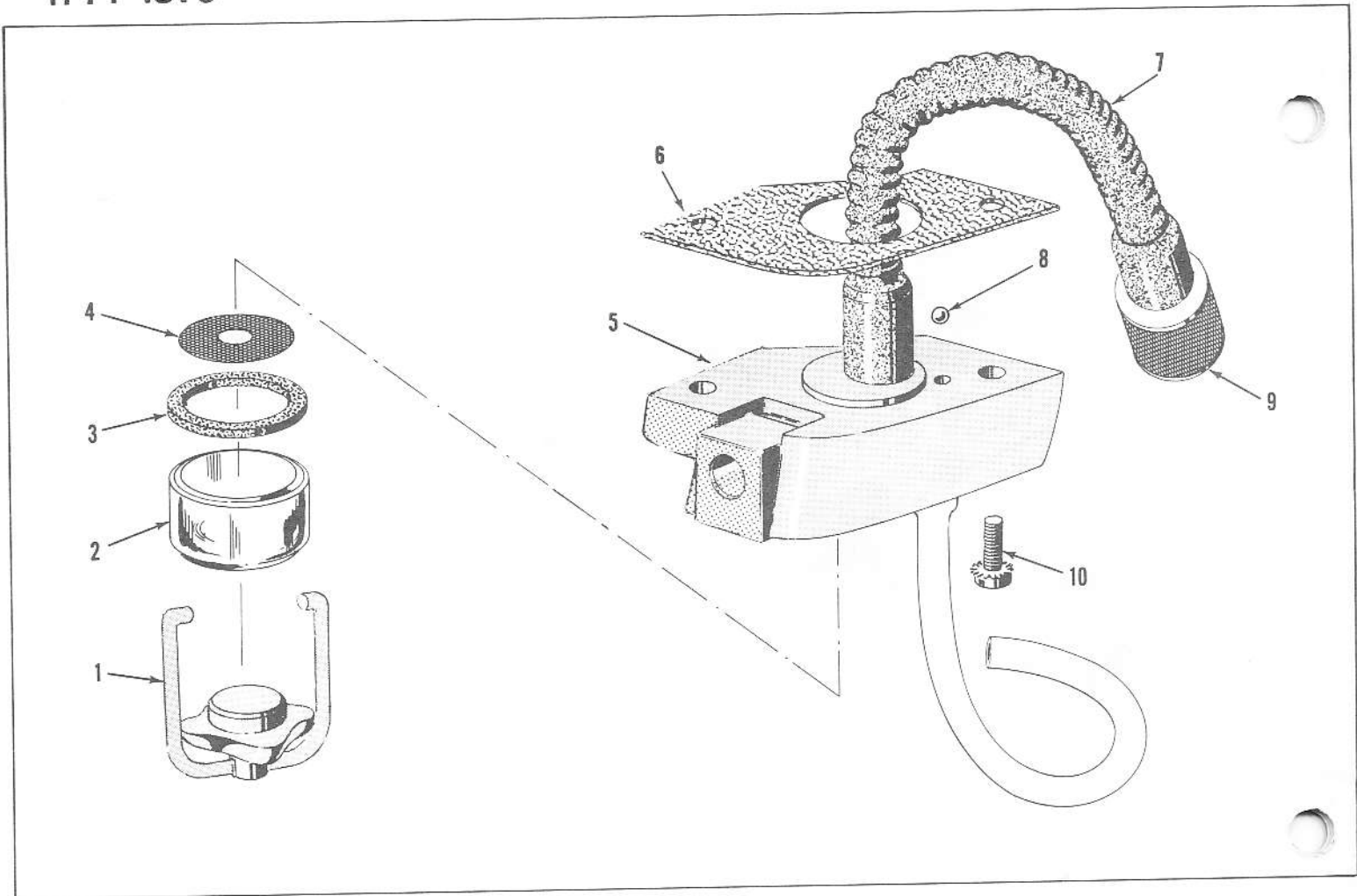
Ref. No.	Part No.	Description	Qty. Req'd.	Ref. No.	Part No.	Description	Qty. Req'd.
1	471357	Knob Assembly	2	18	307191	Screw - Switch Cover	3
2	428764	Air Filter Cover	1	19	425101	Switch	1
3	471945	Air Filter Element	1	20	472245	Gas Cap	1
4	473261	Rear Handle & Fuel Tank (with parts marked x)		21	472244	Gas Cap Assembly	1
5	472221	Ret. Plate and Bolt Assembly	1	22	428600	Filter Support Plate	1
6	428750	Throttle Trigger	1	23	427994	Filter Disc	1
7	428836	Throttle Link	1	24	427278	Cover - Valve	1
8	426636	Roll Pin	1	25	425087	Gasket	1
9	429346	Base Plate	1	26	427277	Bead Chain	1
10	300646	Screw (Base Plate to C'Case - 2) (Base Plate to Rear Handle - 3)	5	27	427213	Lock Spring	1
11	306396	Lock Washer	5	28	429494	Decal 1771	1
12	307194	Screw (Base Plate to Rear Handle)	1		429357	Decal 1870	1
13	305230	Screw (Adaptor to Rear Handle)	2	29	429347	Outer Shroud	1
14	429350	Adaptor	1	30	426746	Grommet	2
15	428840	Intake Grommet	1	31	473177	Inner Shroud Assembly	2
16	428763	Handle Grip	1	32	304614	"O" Ring	2
17	428761	Switch Cover	1	33	602844	Rubber Cap	1
				34	307194	Screw	2
				35	302288	Screw - Base Plate to C'Case Half	2



STARTER ASSEMBLY PARTS LIST

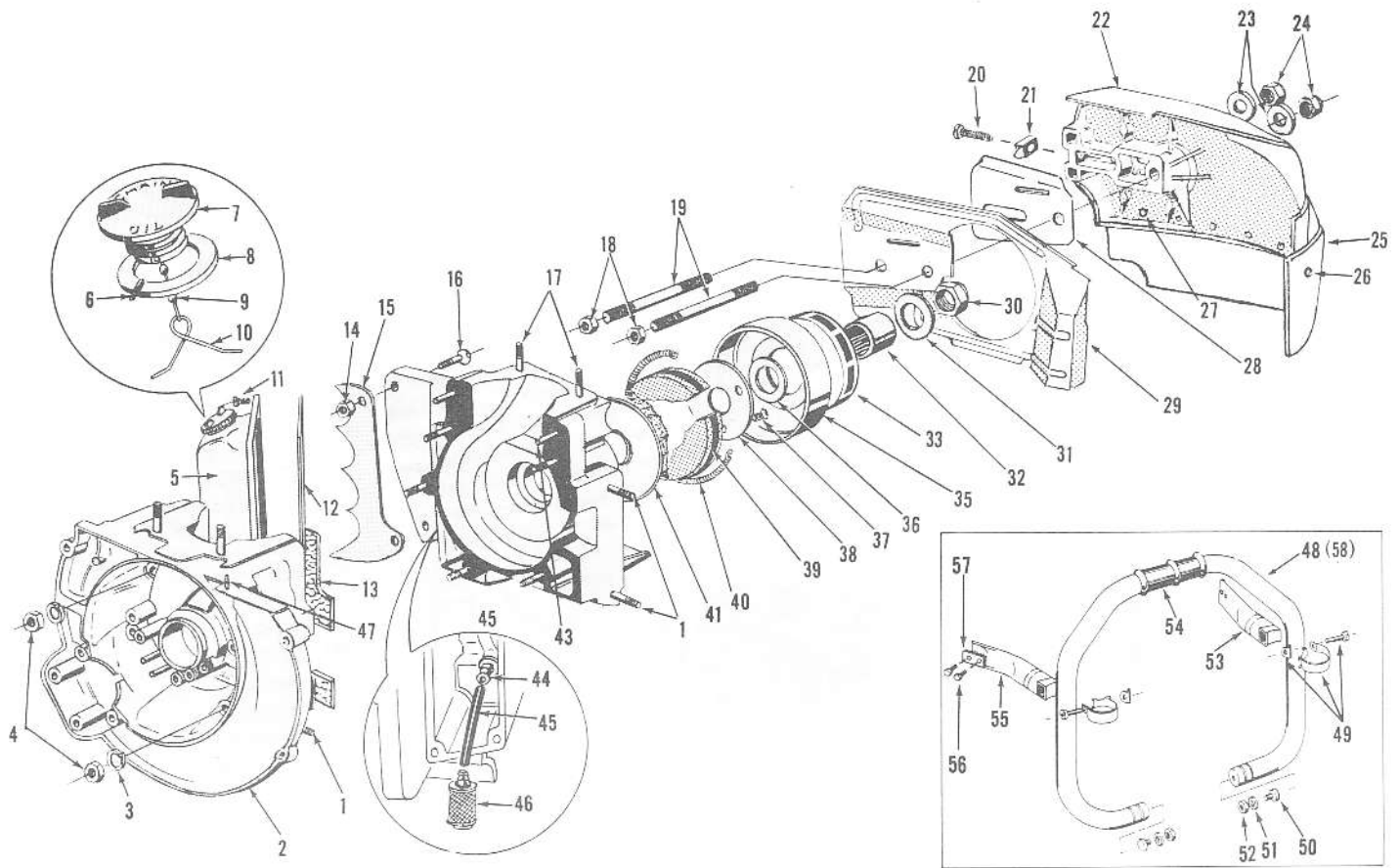
Ref. No.	Part No.	Description	Qty. Req'd.
1	470968	Starter Assembly	1
2	302948	. Screw (Cover to Housing)	4
3	470969	. Starter Cover Assembly	1
4	427158	. Starter Rewind Spring	1
5	427159	. Starter Pulley	1
6	425846	. Starter Cord	1
7	427370	. Starter Handle	1
8	427492	. Anchor	1
9	470970	. Starter Pawl Assembly	1
10	427161	. . Pawl Block	1
11	427145	. . Roll Pin	2
12	427163	. . Pawl Spring	1
13	427162	. . Pawl	1
14	427164	. Friction Spring	1

Ref. No.	Part No.	Description	Qty. Req'd
15	427165	. Friction Plate	1
16	202139	. "E" Ring	1
17	302948	Screw (Blower to Crankcase)	3
18	305725	Screw (Blower, Lamination Crankcase)	1
19	428745	Blower Cover	1
20	425916	Flywheel Nut	1
21	304671	Washer	1
22	427167	Starter Cup	1
23	429405	Blower Guard	1
24	303560	Eyelet	1
25	429456	Screw (Guard to Blower Cover)	4
26	303497	Washer	4



FUEL FILTER SYSTEM PARTS LIST

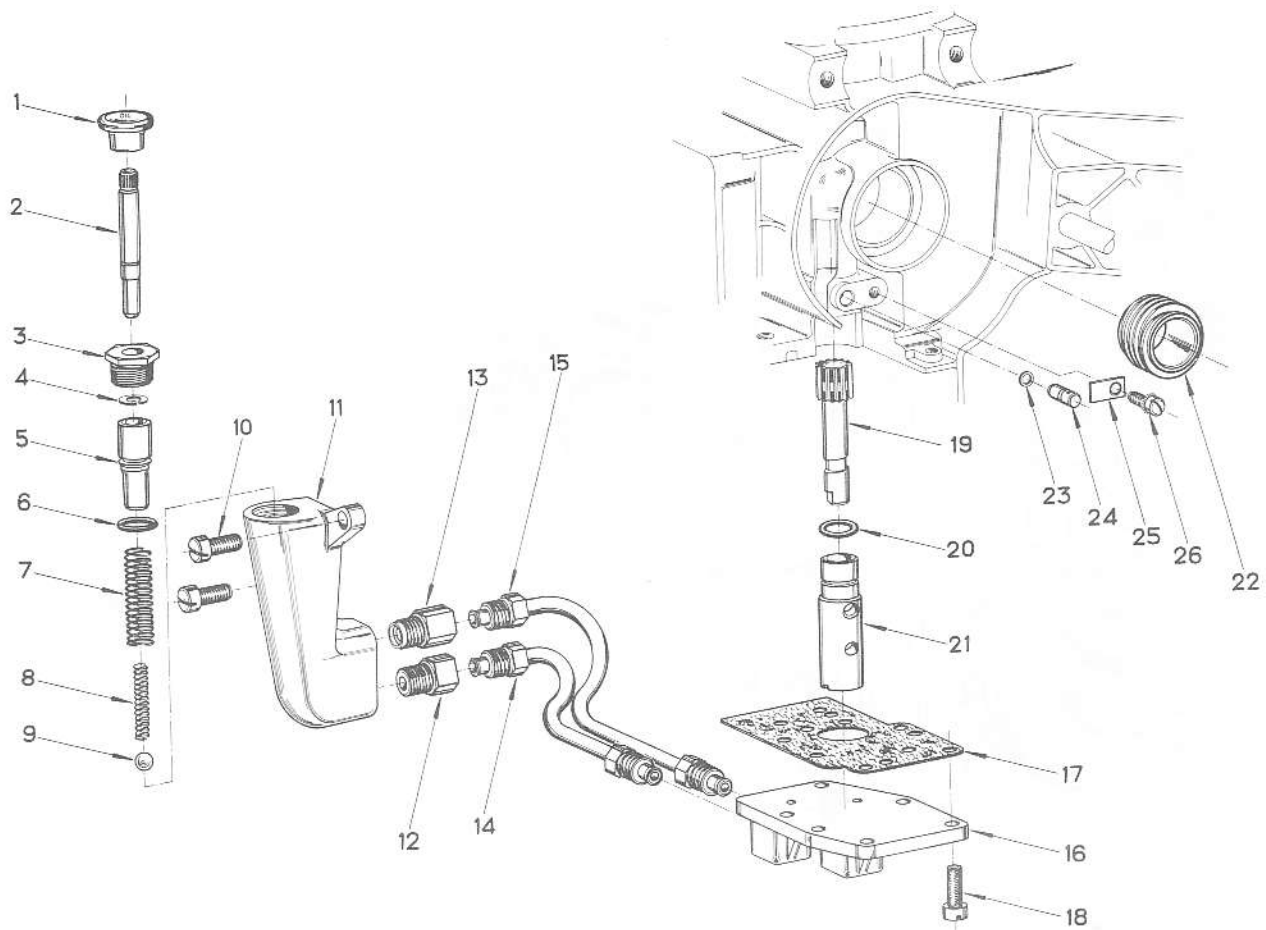
Ref. No.	Part No.	Description	Qty. Req'd.
1	377607	Clamp Unit	1
2	303121	Sediment Bowl	1
3	427369	Gasket - Filter Bowl	1
4	427123	Screen	1
5	471932	Fuel Filter Body Assy. (complete with lead shot)	1
6	428828	Gasket (Filter to Rear Handle)	1
7	425343	Flex Pickup Line	1
8	304201	Lead Shot	1
9	471121	Pickup Head Assy.	1
10	307194	Screw (Fuel Filter Body)	2



CRANKCASE AND CLUTCH ASSEMBLY PARTS LIST

Ref. No.	Part No.	Description	Qty. Req'd.
1	425578	Stud	4
2	473384	C'Case Assy. (1/2)	1
3	306396	Lockwasher	5
4	306397	Nut	5
5	427195	Cover (Oil Tank)	1
6	427289	Taper Pin	1
7	427286	Body	1
8	425074	Gasket	1
9	427277	Bead Chain	1
10	427288	Lock Spring	1
11	302948	Screw (Oil Cover)	4
12	427196	Gasket (Oiler Body)	1
13	427509	Gasket	1
14	427170	Nut	2
15	471018	Eastern Pivot Grip Assy.	1
*	471019	Western Pivot Grip Assy.	1
16	130491	Screw	2
17	425578	Studs	9
18	425078	Nut (Strut Stud)	2
19	427242	Stud (Strut)	2
20	202190	Tension Screw	1
21	425672	Tension Pin	1
22	471524	Strut Assy.	1
*	471189	Bow Strut Assy.	1
23	425116	Washer (Strut)	2
24	425031	Nut (Strut)	2
25	428907	Deflector	1
26	428007	Rivet - Long	1
27	427992	Rivet - Short	6

Ref. No.	Part No.	Description	Qty. Req'd.
28	429400	Outer Guide Plate	1
29	427991	Inner Guide Plate	1
30	427181	Nut (Sprocket)	1
31	427413	Washer (Sprocket)	1
32	425091	Needle Bearing	1
33	471563	Sprocket Segment - .4 Pitch	1
35	471401	Drum and Spline Assy.	1
36	427185	Thrust (Washer)	1
37	302104	Screw (Clutch)	3
38	427270	Retaining Plate	1
39	427187	Clutch Shoe	3
40	427188	Clutch Spring	1
41	470978	Clutch Driver Assy.	1
43	427073	Taper Pin	2
44	426220	Oiler Intake Connector	1
45	426200	Oiler Inlet Tube	1
46	470193	Oiler Pickup Assy.	1
47	311534	Roll Pin	1
48	473331	Front Handle Assy. (1771)	1
49	428963	Clamp Assy.	2
50	306501	Bolt	2
51	306325	Washer	2
52	306932	Nut	2
53	429395	Front Handle Brace Blower Side	1
54	471016	Front Handle Grip	1
55	429394	Front Handle Brace - Strut Side	1
56	304607	Screw Hdle. Brace to Tank	4
57	428916	Plate - Handle Brace Mtg.	2
58	470989	Front Handle Assy. (1870)	1



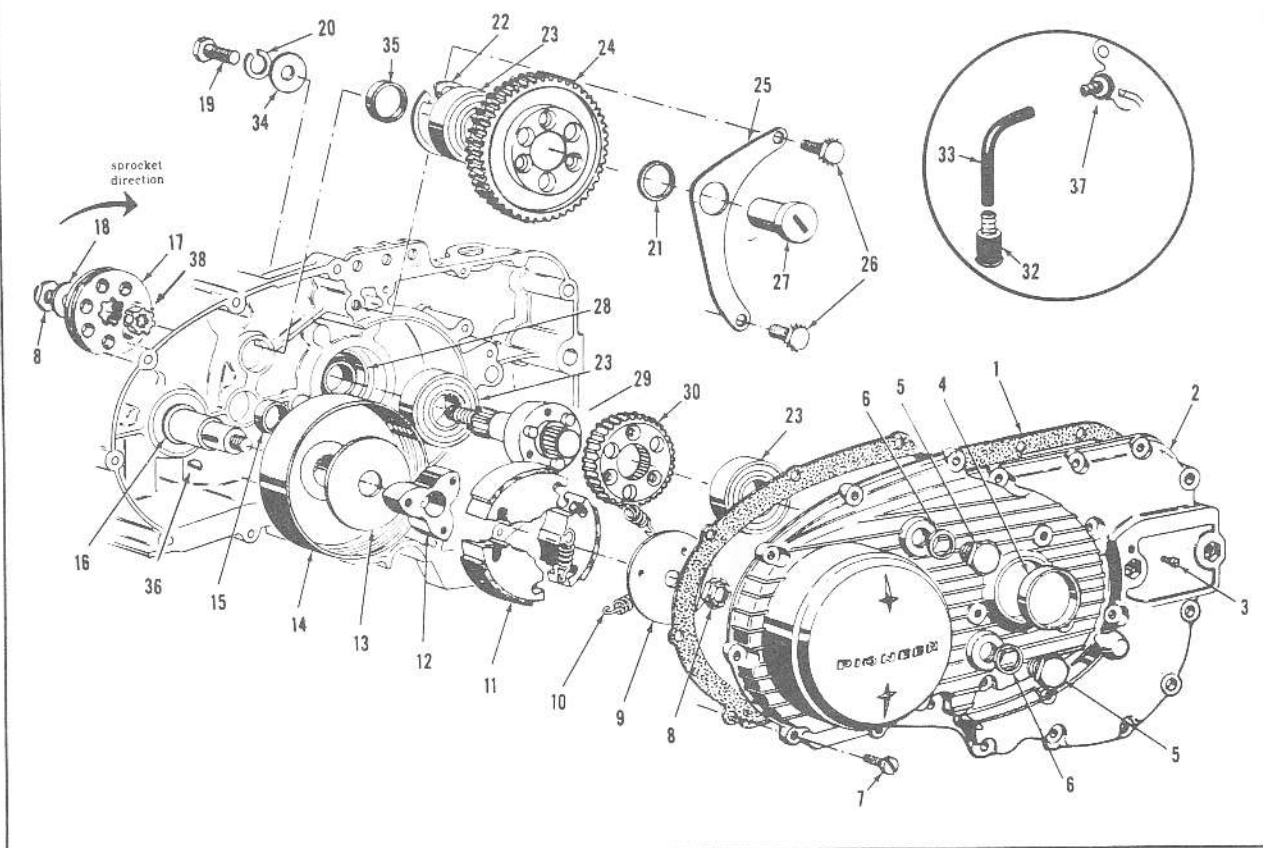
OIL PUMP

Ref. No.	Part No.	Description	Qty. Req'd.	Ref. No.	Part No.	Description	Qty. Req'd.
1	427704	Oiler Button	1	10	307194	Screw (Oil Pump to R.Hdle)	2
2	428818	Plunger Rod	1	11	428737	Oil Pump Body	1
3	428738	End Cap	1	12	428001	Fitting - Oiler Line	1
4	202755	Retaining Ring	1	13	471478	Outlet Valve Assy.	1
5	428343	Plunger	1	14	471940	Oil Line(Junc.Plte.to In. Vlv)	1
6	428906	O Ring	1	15	471941	Oil Line(Junc.Plte.to In. Vlv)	1
7	428357	Plunger Spring	1	16	429499	Junction Plate	1
8	428342	Ball Spring	1	17	427102	Gasket	1
9	428341	Ball 1/4" Dia.	1	18	305230	Screw	6

AUTOMATIC OILER

19	473388	Plunger Assembly	1	23	308528	O Ring	1
20	202893	O Ring - Bushing	1	24	429503	Pin	1
21	429501	Bushing	1	25	429504	Retaining Clip	1
22	429500	Worm Gear	1	26	307191	Screw	1

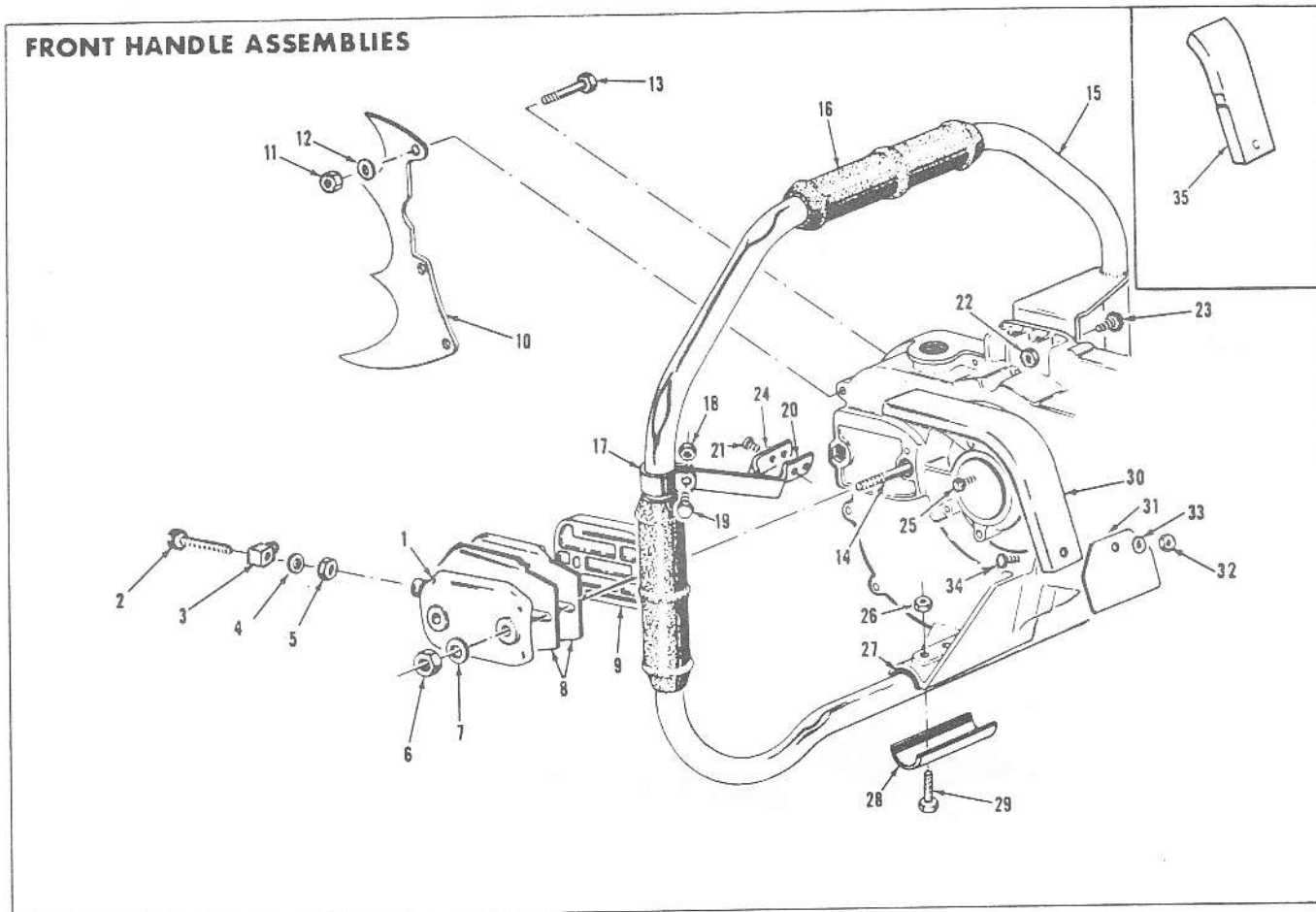
GEAR SECTION



GEAR SECTION PARTS LIST

Ref. No.	Part No.	Description	Qty. Req'd.	Ref. No.	Part No.	Description	Qty. Req'd.
1	427183	Gasket (Gear Cover)	1	19	306861	Bolt (Idler Spindle)	1
2	471187	Gear Case Cover	1	20	306325	Lockwasher	1
3	306373	Screw - Chain Oil	1	21	427197	Spacer (Idler Spindle)	1
4	427199	Cover (Output Shaft)	1	*	470982	Idler Gear Assembly	1
5	427211	Plug - Gear Oil	2	22	425067	. Retaining Ring	1
6	170280	Plug Screw Gasket	2	23	425066	. Bearing	3
7	302948	Screw (Gear Cover)	17	24	427482	. Gear (47-tooth)	1
8	427181	Nut (Clutch & Sprocket)	2	25	427201	Bracer Plate (Idler Spindle)	1
9	427486	Washer (Clutch)	1	26	552421	Bolt (Plate to Crank-case)	2
*	470974	Clutch Assembly	1	27	427202	Idler Gear Spindle	1
10	427178	. Clutch Spring	3	28	425076	Seal	1
11	470975	. Clutch Shoe	3	29	471191	Output Shaft	1
12	427175	. Clutch Driver	1	30	427483	Gear (32-tooth)	1
13	427491	Retainer Plate	1	32	470193	Oiler Pickup Assembly	1
14	471680	Clutch Drum Assembly	1	33	427361	Oiler Inlet Tube	1
15	427182	Plug (Idler Spindle)	1	34	425116	Plain Washer	1
16	427180	Thrust Washer	1	35	427451	Spacer	1
17	471409	Sprocket	1	36	425061	Key	1
18	427240	Washer Sprocket	1	37	427212	Oiler Connector	1
				38	428509	Sprocket Adaptor	1

*Not shown



FRONT HANDLE ASSEMBLIES PARTS LIST MODEL 1870 GEAR ONLY

Ref. No.	Part No.	Description	Qty. Req'd.	Ref. No.	Part No.	Description	Qty. Req'd.
1	470987	Bar Clamp Pad Assembly	1	20	427089	Forward Brace	1
2	427173	. Tension Screw	1	21	302948	Screw (Brace to Cover)	2
3	427238	. Tension Pin	1	22	426942	Nut (Handle Bracket)	2
4	306482	. Washer	1	23	603105	Screw (Handle Bracket)	2
5	427170	. Nut	1	24	427499	Support (Forward Brace)	1
6	427247	Nut (Guide Bar Bolt)	2	25	307019	Screw (Deflector to Crankcase)	3
7	427240	Washer (Guide Bar Bolt)	2	26	426942	Nut (Handlebar to Crankcase)	2
8	427218	Inner and Outer Guide Plate	2	27	427067	Shock Absorber	1
9	427217	Bar Pad	1	28	427223	Clamp (Handlebar to Crankcase)	1
10	427220	Western Pivot Grip	1	29	304627	Screw (Handlebar to Crankcase)	2
*	427224	Eastern Pivot Grip	1	30	471111	Sawdust Deflector Assembly	1
11	426942	Nut	3	31	427371	. Extension Flap	1
12	306358	Washer	3	32	427373	. Locknut	1
13	427077	Bolt	3	33	306413	. Washer	1
14	427080	Guide Bar Bolt	2	34	306286	. Pan Head Screw	1
15	470989	Front Handle Assy.	1	35	427443	Sawdust Deflector (Modified for Bow Attachment)	1
16	470795	Handle Grip Assembly (Incl. 2-oz. Tube of Adhesive)	1				
17	425661	Brace Clamp	1				
18	426942	. Nut	1				
19	603105	. Screw	1				

*Not Shown