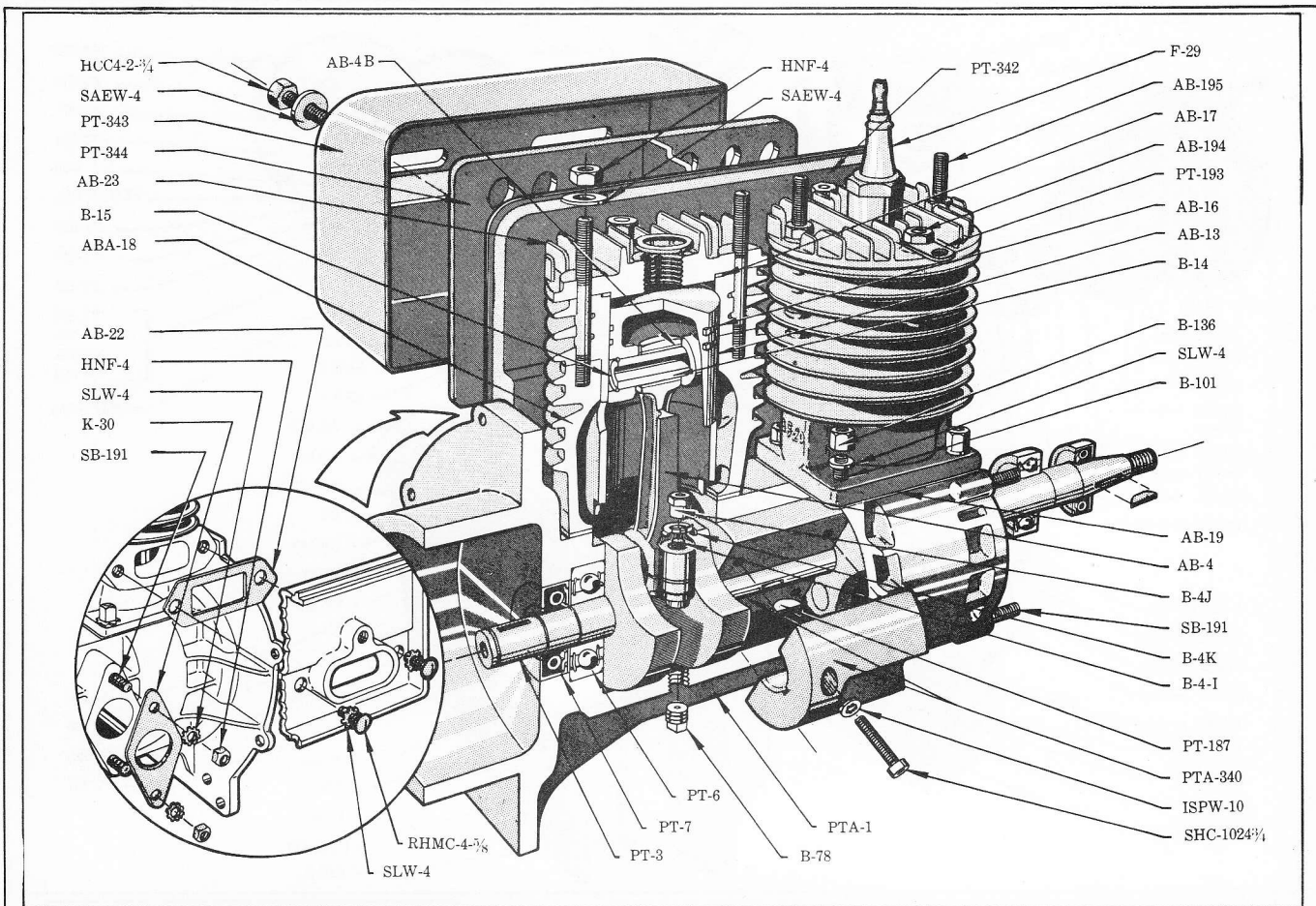
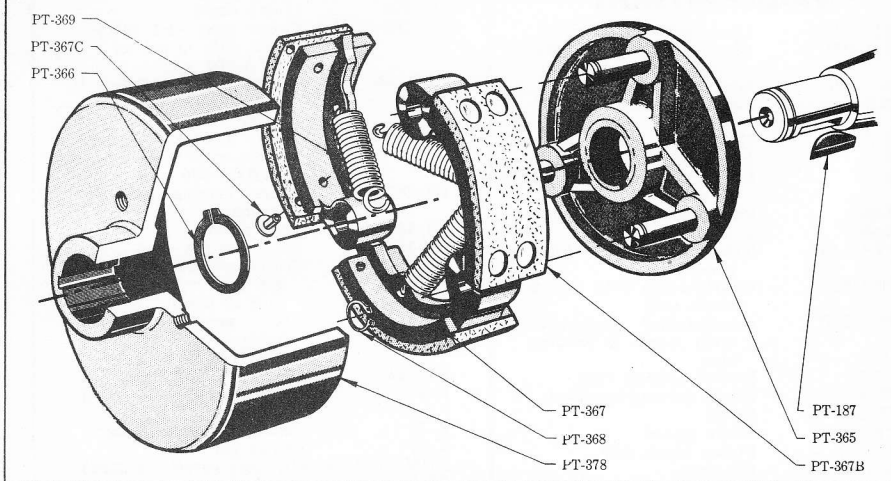


# MODEL PT



## ENGINE

AB-4	Connecting rod (2 used)
AB-4-F	Conrod needle bearing
AB-13	Piston (2 used)
AB-16	Piston rings (4 used)
AB-17	Cylinder head gasket (2 used)
ABA-18	Cylinder block complete (2 used)
AB-19	Cylinder base gasket (2 used)
AB-22	Exhaust gasket (2 used)
AB-23	Cylinder head (2 used)
AB-194	Short cylinder head stud (4 used)
AB-195	Long cylinder head stud (4 used)
B-4-I	Connecting rod bolt (4 used)
B-4J	Connecting rod nut (4 used)
B-4K	Connecting rod tab washer (4 used)
B-14	Wrist pin (2 used)
B-15	Wrist pin retainer (4 used)
B-78	Drain plug (2 used)
B-101	Cylinder stud (8 used)
B-136	Cylinder base nut (8 used)
PTA-1	Crankcase complete with studs
PTA-3	Crankshaft complete with rotary valve
PT-3	Crankshaft
PT-6	Crankshaft main bearing (2 used)
PT-7	Crankshaft seal (2 used)
PT-187	Crankshaft key (4 used)
PT-193	Ignition wire clip (2 used)
PTA-340	Rotary valve
PT-342	Exhaust body
PT-343	Exhaust cover
PT-344	Exhaust baffle



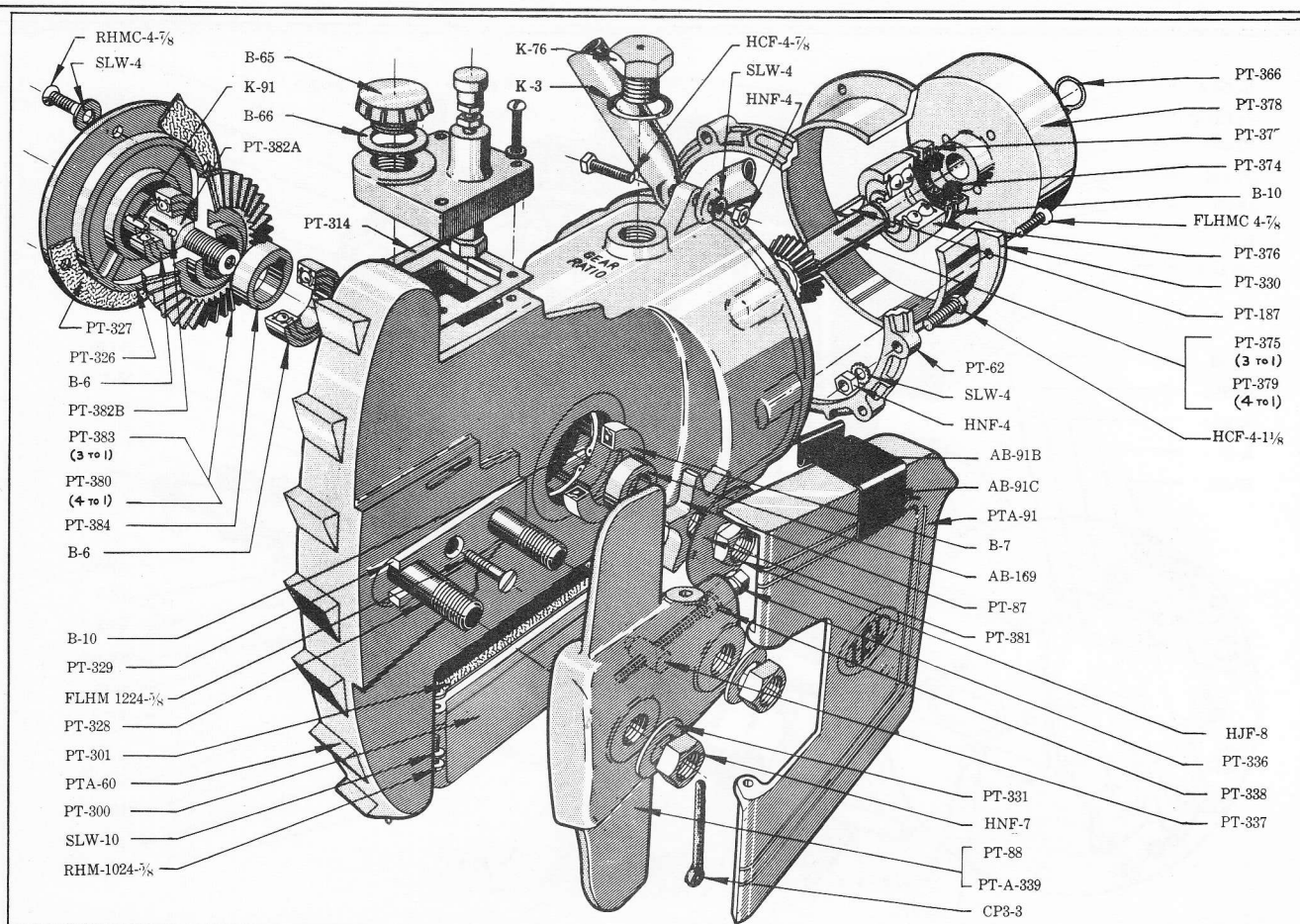
SB-191	Fan housing stud (4 used)
SB-191	Manifold stud (2 used)
F-29	Spark plug (2 used)
K-30	Carburetor manifold gasket (2 used)
RHMC 4x5/8	Exhaust body screw (4 used)
HNF 4	Cylinder head nut (8 used)
HNF 4	Carburetor manifold nuts (4 used)
SLW 4	Carburetor manifold washer (4 used)
SLW 4	Exhaust body washer (4 used)
SLW 4	Cylinder base washer (8 used)
SAEW 4	Cylinder head washer (8 used)
SAEW 4	Exhaust cover washer (2 used)

SHC 1024x3/4	Rotary valve screw (4 used)
ISPW 10	Rotary valve washer (4 used)
HCC 4x23/4	Exhaust cover bolt (2 used)

## CLUTCH

PT 187	Clutch driving plate key
PT-365	Clutch driving plate
PT-366	Clutch retainer clip
PT-367	Clutch shoe complete (3 used)
PT-367-B	Clutch lining (3 used)
PT-367C	Clutch lining rivet (12 used)
PT-368	Clutch shoe clip (3 used)
PT-369	Clutch spring (3 used)
PT-378	Clutch drum
PTA-365	Clutch assembly

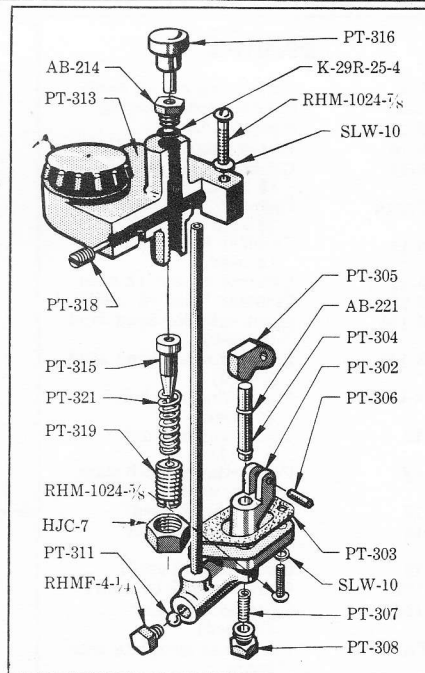
# MODEL PT



## TRANSMISSION

- AB-91B Chain guard spring
- AB-91C Chain guard spring rivet (2 used)
- AB-169 Gearshaft spacer
- B-6 Gearshaft bearing (2 used)
- B-7 Gearshaft bearing seal
- B-10 Pinion shaft bearing clip
- B-10 Gearshaft bearing retain-er clip
- B-65 Oil filler cap
- B-66 Oil filler cap gasket
- PTAA-60 Transmission assembly complete
- PTA-60 Gearhousing with key & studs only
- PTA-60P Gearhousing complete with insert & holding ring
- PT-62 Swivel holding ring
- PT-87 Chain driving sprocket
- PT-88 Strut
- PTA-91 Chain guard
- PT-187 Pinion shaft key
- PT-300 Oil sump
- PT-301 Oil sump gasket
- PT-314 Oil control body gasket
- PT-326 Gearhousing cover
- PT-327 Gearhousing cover gas-ket (4 used)
- PT-328 Strut stud (2 used)
- PT-329 Strut key
- PT-330 Gearhousing insert
- PT-331 Strut stud washer (2 used)
- PT-336 Chain tightener adjust-ing screw
- PT-337 Chain tightener adjusting pin
- PT-338 Screw adjuster retaining pin
- PTA-339 Adjusting type strut
- PT-366 Clutch retainer clip
- PT-374 Drum felt washer
- PT-375 Pinion gear — 3-1 gear ratio—sold only in set as PTA-383
- PT-376 Pinion shaft bearing

- PT-377 Pinion shaft seal
- PT-378 Clutch drum
- PT-379 Pinion gear—4-1 ratio—sold only in set as PTA-380
- PTA-380 Crown & Pinion set—4-1 gear ratio (sold only in sets)
- PT-380 Crown gear — 4-1 gear ratio—sold only in set as PTA-380
- PT-381 Chain driving sprocket washer
- PT-382A Gear shaft
- PT-382B Eccentric pin
- PTA-383 Crown and Pinion Set— 3-1 gear ratio — (sold only in sets)
- PT-383 Crown gear — 3-1 gear ratio—sold only in set as PTA-383
- PT-384 Gearshaft Eccentric
- K-3 Gearhousing vent plug washer
- K-76 Gearhousing vent plug
- K-91 Crown gear key
- RHM 1024x5/8 Oil sump screws (4 used)
- RHMC 4x7/8 Gearhousing coverscrews (4 used)
- FLHMC 4x7/8 Gearhousing insert screws (8 used)
- FLHM 1224x5/8 Strut key screw
- HCF 4x1 1/8 Swivel holding ring bolt (8 used)
- HCF 4x7/8 Front handle upper brace bolt
- HJF 8 Chain Sprocket nut
- HNF 4 Front handle upper brace nut
- HNF 4 Swivel holding ring nut (8 used)
- HNF 7 Strut stud nut (2 used)
- SLW 4 Gearhousing cover wash-ers (4 used)
- SLW 4 Front handle upper brace washer
- SLW 4 Swivel holding ring washer (8 used)
- SLW 10 Oil sump washer (4 used)
- CP 3-3 Guard hinge pin

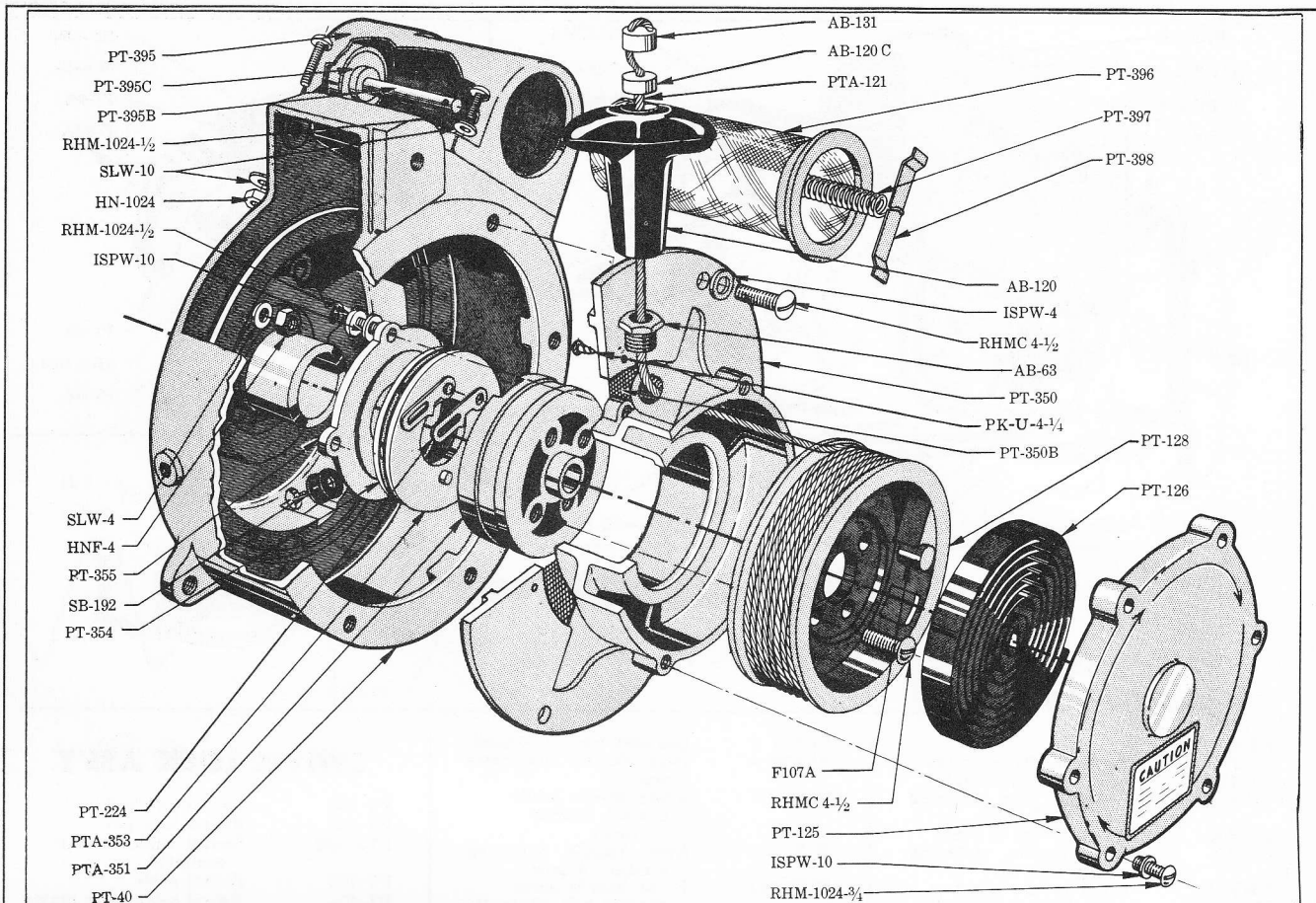


## OIL PUMP

- AB-214 Oil control gland nut
- AB-221 Oil pump plunger grom-met (2 used)
- PTA-302 Oil pump assembly
- PT-302 Oil pump body and tube
- PT-303 Oil pump body gasket
- PT-304 Oil pump plunger
- PT-305 Oil pump rocker
- PT-306 Oil pump rocker pin
- PT-307 Oil pump plunger spring
- PT-308 Oil pump inlet valve

(Continued)

# MODEL PT



## OIL PUMP (CONT'D.)

PT-311	Oil pump outlet valve
PTA-313	Oilier control body assembly
PT-313	Oilier control body
PT-315	Oilier control valve
PT-316	Oilier control valve shaft
PT-318	Oilier metering plug
PT-319	Oilier control valve seat
PT-321	Oilier control valve spring
K-29R-25-4	Oilier control gland packing
RHM 1024%	Oil pump body screw (3 used)
RHM 1024x7%	Oilier control body screw (3 used)
RHMF 4x3/4	Oil pump outlet valve screw
HJC-7	Oilier valve seat locknut
SLW No. 10	Oilier control body washer (3 used)
SLW No. 10	Oil pump body washer

## Fan Housing and Starter

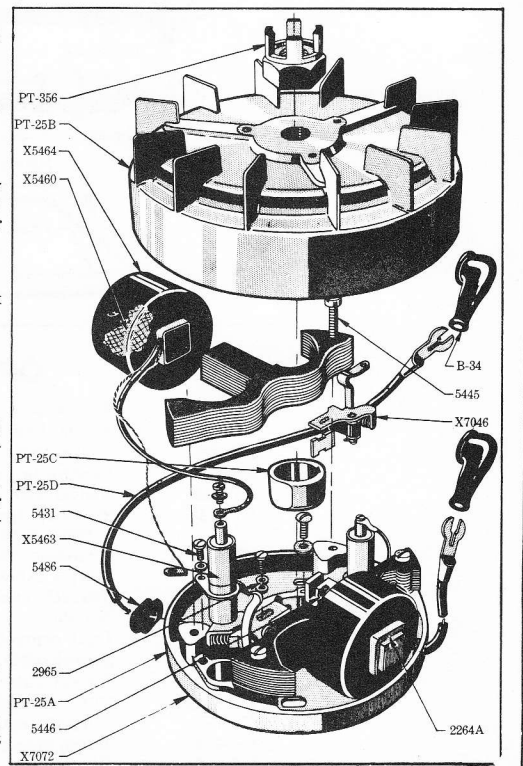
AB-63	Starter cable bushing
AB-120	Starter handle
AB-120C	Starter rope washer
AB-131	Starter cable anchor
PT-40	Fan housing
PTA-121	Starter cable assembly
PT-125	Starter cover
PT-126	Starter spring
PT-128	Starter pulley
PT-224	Starter pawl (4 used)
PTA-350	Starter assembly complete
PTA-351	Starter Rotor assembly
PT-350	Stator housing with screen
PT-350B	Blower air intake screen
PTA 353	Starter slip plate complete with studs
PT-354	Starter slip plate friction ring
PT-355	Starter back plate
PT-395	Air cleaner housing
PT-395B	Air cleaner holding stud
PT-395C	Air cleaner spigot
PT-396	Air cleaner element
PT-397	Air cleaner spring

PT-398	Air cleaner clip
F-107A	Starter cable ferrule
SB-192	Ignition wire grommet
RHMC4x1/2	Starter pulley screw (4 used)
RHMC4x1/2	Starter housing screw (6 used)
RHM 1024x1/2	Air cleaner housing screws (3 used)
RHM 1024x1/2	Starter back plate screws (4 used)
RHM 1024x3/4	Starter cover screws (6 used)
HNF 4	Fan housing nut (4 used)
HN 1024	Air cleaner housing nut
SLW 4	Fan housing washer (4 used)
SLW 10	Air cleaner housing screw lock washers (3 used)
ISPW 4	Starter housing washer (6 used)
ISPW 10	Starter cover washer (6 used)
ISPW 10	Starter back plate lock washer (4 used)
PK Type U 4x1/4	Blower screen drive screws (6 used)

X-5460	Coil (2 used)
X-5463	Condenser (2 used)
X-5464	Coil terminal protector (2 used)
X-7046	Breaker contact set (2 used)
X-7072	Stator plate only

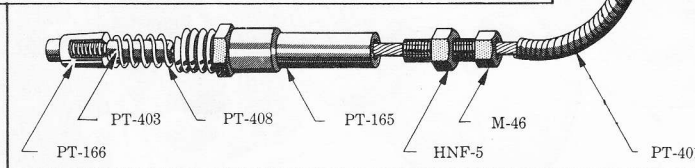
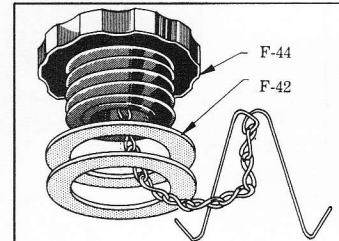
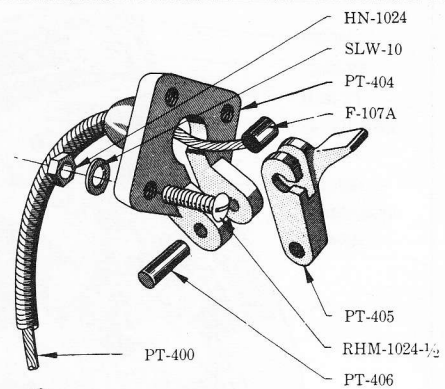
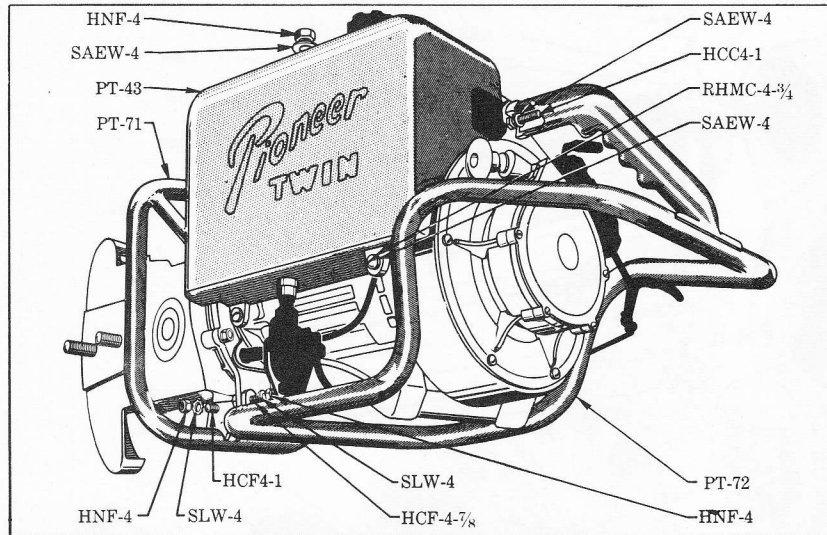
## MAGNETO

B-34	Spark plug cover (2 used)
PT-25	Magneto assembly complete
PT-25A	Stator plate unit (includes coil, condenser and breaker mechanism) (Wico X-7068)
PT-25B	Rotor (Wico X-7085)
PT-25C	Breaker Cam
PT-25D	Ignition wire (2 used)
PT-356	Starter driver nut
2264A	Coil wedge (4 used)
2965	Fixed contact clamp screw washer (4 used)
5431	Screw (6 used)
5445	Core screw (4 used)
5446	Cam Wiper felt (2 used)
5486	Ignition wire grommet (2 used)





# MODEL PT



## TANK and HANDLEBARS

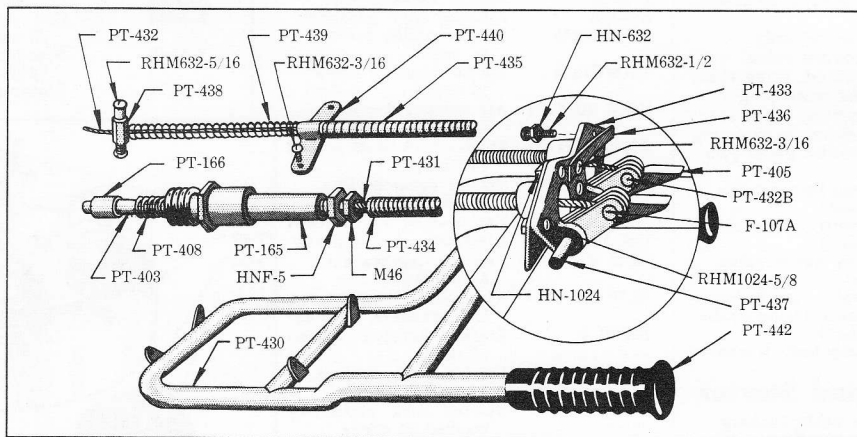
- PT-43 Gas tank
- PT-71 Front handle assembly
- PT-72 Rear handle assembly
- RHMC 4% Gas tank side mounting screw (2 used)
- HNF 4 Gas tank nut (4 used)
- HNF 4 Rear handle mounting nuts (4 used)
- HNF 4 Front handle lower bracket nut (2 used)
- HCF 4x7/8 Rear handle mounting bolts (4 used)

- SAEW 4
- SAEW 4
- SLW 4
- SLW 4
- HCF 4x1
- HCC 4x1

- Gas tank washer (6 used)
- Rear handle top brace washer
- Front handle lower bracket washer (2 used)
- Rear handle mounting washer (6 used)
- Front handle lower bracket bolt (2 used)
- Rear handle top brace bolt

## SWIVEL LOCK ASS'Y

- PT-165 Swivel lock body
- PT-166 Swivel lock pin
- PTA-400 Swivel cable assembly complete
- PT-400 Swivel cable
- PT-401 Swivel cable outer casing
- PT-403 Swivel cable threaded end
- PTA-404 Swivel control assembly

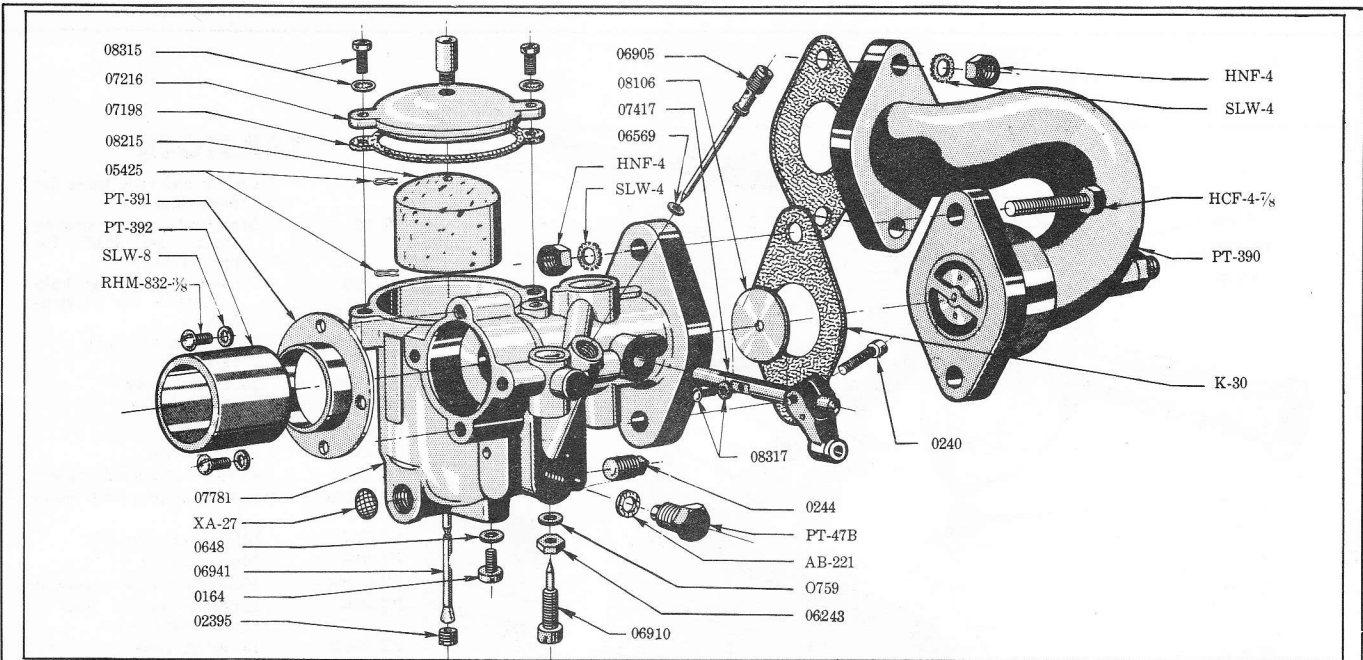


## OPTIONAL HANDLE BARS

- PT-165 Swivel lock body
- PT-166 Swivel lock pin
- PT-403 Swivel cable threaded end
- PT-405 Control lever (2 used)
- PT-408 Swivel lock spring
- PTA-430 Two-man handlebar complete with controls
- PT-430 Two-man handlebar
- PT-431 Swivel cable
- PT-432 Throttle cable unit
- PT-432B Nipple
- PT-433 Dual control body
- PTA-434 Swivel cable assembly
- PT-434 Swivel outer casing unit
- PTA-435 Throttle cable assembly
- PT-435 Throttle casing unit
- PT-436 Idling stop spring
- PT-437 Hinge pin
- PT-438 Throttle pin
- PT-439 Throttle return spring

- PT-440 Throttle clip
- PT-441 3/4 Diameter Welch Plug (for plugging one-man swivel control hole in gas tank)
- PT-442 Rubber handles (2 used)
- M-46 Adjusting screw
- F-107A Swivel control nipple
- RHM 632x1/2 Idling screw
- RHM 632x3/8 Throttle clip screws (2 used)
- RHM 632x5/8 Throttle pin screws (2 used)
- HN 632 Idling screw nut
- HN 1024 Dual control nuts (3 used)
- RHM 1024x5/8 Dual control screws (3 used)
- HNF 5 Swivel lock nut

# MODEL PT

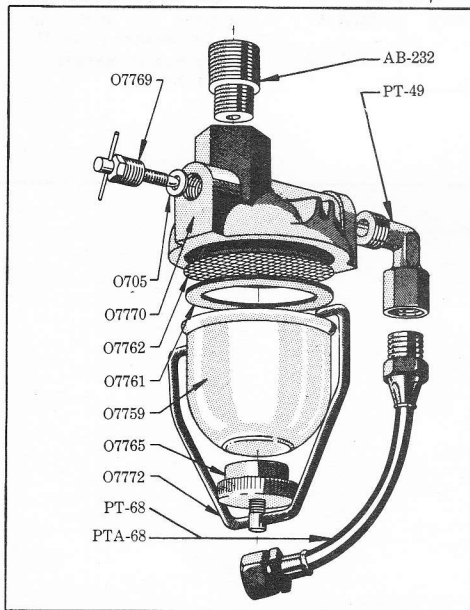


## CARBURETOR

- AB-221 Fixed jet grommet
- PT-47 Carburetor complete
- PT-47B Fixed jet
- PT-390 Carburetor manifold
- PT-391 Carb. intake adapter
- PT-392 Carb. Governor
- PT-392 Carb. intake grommet
- K-30 Carburetor manifold gasket (2 used)
- XA-27 Filter screen (2 used)
- 0164 Float bowl drain screw
- 0240 Rocker arm screw
- 0244 Body channel plug

- 0648 Float bowl drain screw washer
- 0759 Idle adjustment screw washer
- 02395 Inlet valve channel plug
- 05425 Float retain. pin (2 used)
- 06243 Idle adj. screw locknut
- 06569 Idle tube gasket nut
- 06905 Idle tube
- 06910 Idle adjustment screw
- 06941 Inlet valve, seat & gasket
- 07198 Float bowl cover gasket
- 07216 Float bowl cover
- 07417 Throttle shaft & lever

- 07781 Carburetor body
- 08106 Throttle shutter
- 08315 Float bowl cover screw & washer (2 used)
- 08215 Float
- 08317 Throttle shutter screw & lock washer
- RHM 832-x% Carburetor intake adaptor screw (2 used)
- HCF 4x% Manifold bolt (2 used)
- HNF 4 Manifold locknut (4 used)
- SLW 8 Carburetor intake adaptor washer (2 used)
- SLW 4 Carburetor manifold washer (2 used)



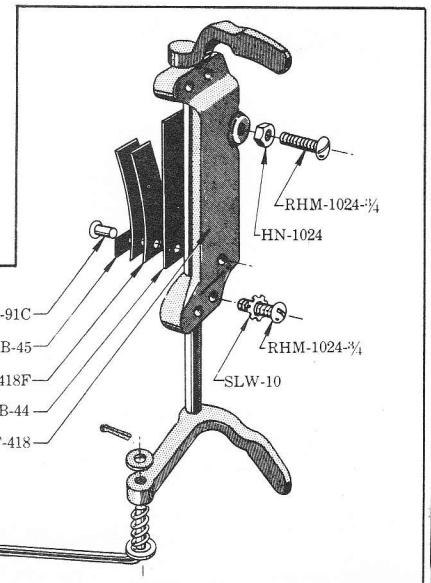
- AB-231 Fuel filter complete
- AB-232 Fuel filter adaptor
- PT-49 Elbow
- PTA-68 Fuel line complete with elbow
- PT-68 Fuel line
- 0705 Shut off valve packing
- 07759 Strainer bowl
- 07761 Strainer gasket
- 07762 Strainer screen
- 07765 Cup and thumb nut
- 07769 Shut off valve
- 07770 Strainer cover
- 07772 Clamp wire & stud

## FUEL FILTER

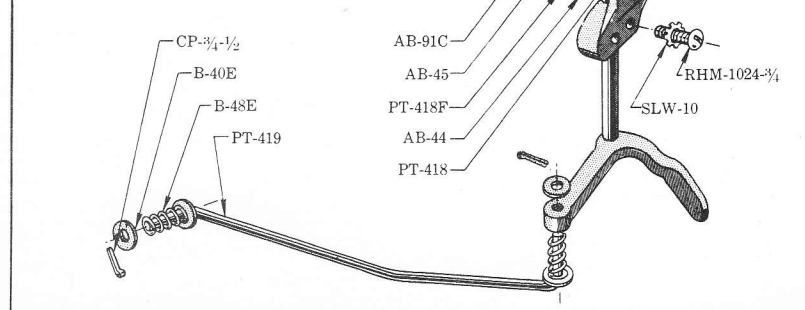
- RHM 1024x% Idling adjustment screw
- RHM 1024x% Throttle bracket screw (4 used)
- HN 1024 Idling adjustment screw locknut
- SLW No. 10 Throttle bracket screw washer (4 used)

## THROTTLE ASS'Y

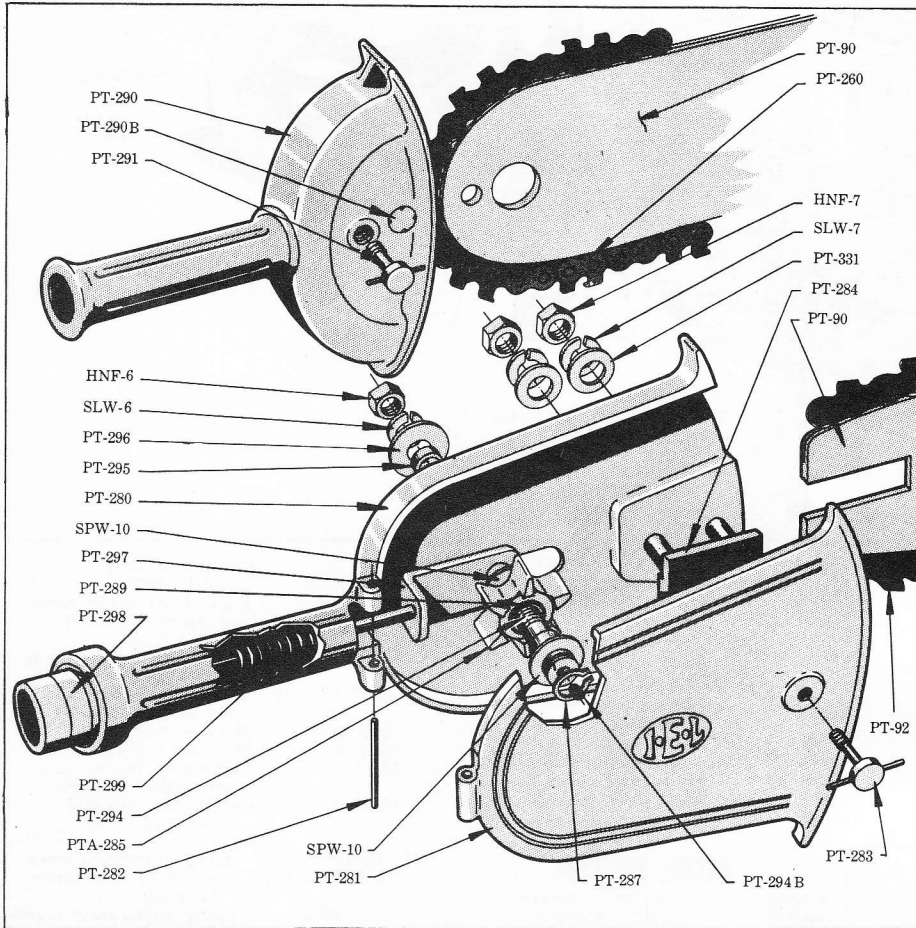
- AB-44 Throttle stop spring
- AB-45 Throttle stop washer
- AB-91C Throttle stop rivet
- B40E Throttle connecting arm washer
- B-48E Throttle connecting arm spring
- PT-418 Throttle lever assembly
- PT-418F Throttle return spring
- PT-419 Throttle connecting arm
- CP 3/4 x 1/2 Throttle connecting arm pin (2 used)



- PT-404 Swivel control body
- PT-405 Swivel control lever
- PT-406 Swivel control pin
- PT-408 Swivel lock spring
- F-42 Gas tank filler cap gasket (2 used)
- F-44 Gas tank filler cap
- F-107A Swivel cable ferrule
- M-46 Swivel cable adjusting screw
- RHM 1024x 1/2 Swivel control body screws (3 used)
- HNF 5 Swivel lock nut
- HN 1024 Swivel control body nut (3 used)
- SLW 10 Swivel control body washer (3 used)



# MODEL PT



## TAILSTOCK

- PT-90 Cutter bar (see table for particulars)
- PT-92 Standard type sawing chain (see table for particulars)
- PT-260 Planer type sawing chain (see table for particulars)
- PTA-280 Idler type tailstock assembly
- PT-280 Tailstock body
- PT-281 Tailstock cover
- PT-282 Hinge pin
- PT-283 Cover screw
- PT-284 Cutter bar mounting plate
- PTA-285 Idler complete with bearing
- PT-287 Idler retaining clip
- PT-289 Idler bearing
- PTA-290 Helper's Handle assembly
- PT-290 Helper's Handle, less locating screw
- PT-290B Locating boss
- PT-291 Locating screw
- PT-294 Idler shaft with oil wick
- PT-294B Idler shaft oil wick
- PT-295 Idler shaft spacer
- PT-296 Idler shaft washer
- PT-297 Idler tightening screw
- PT-298 Idler tightener knob
- PT-299 Idler tightener spring
- PT-331 Cutter bar mounting washer (2 used)
- HNF 6 Idler shaft nut
- HNF 7 Cutter bar mounting nut (2 used)
- SLW 6 Idler shaft lock washer
- SLW 7 Cutter bar mounting lockwasher (2 used)
- SPW 10 Idler spacer washer (2 used)