

25 CENTS



PIONEER
CHAIN SAWS

ILLUSTRATED
PARTS
CATALOGUE

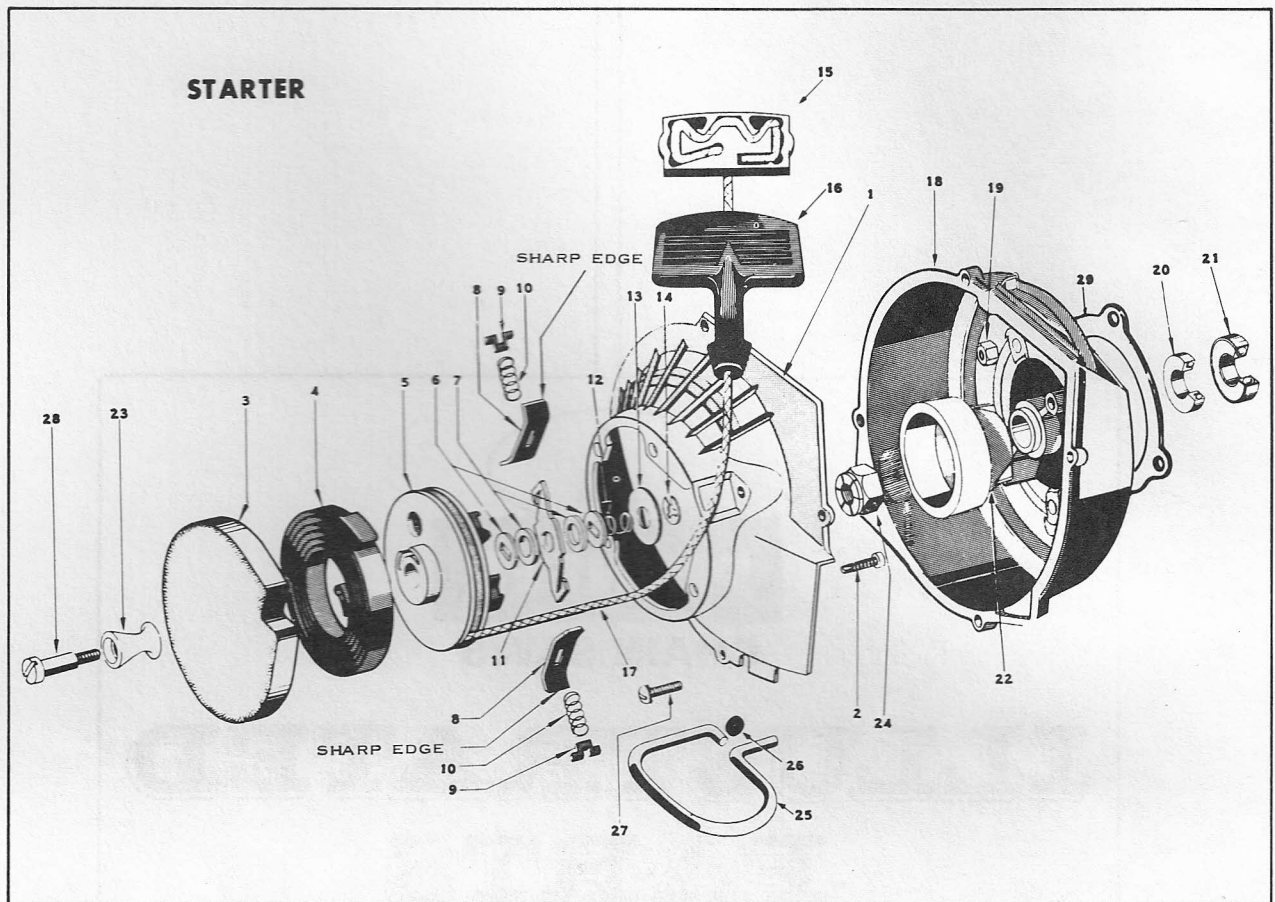
PIONEER SAWS, PETERBOROUGH, ONTARIO, CANADA;
LINCOLN, NEBRASKA, U.S.A.

LITHO U.S.A.

MODELS
6-20, S6-20

PART NO. 430304 11-72

600 SERIES MODELS 6-20 AND SUPER 6-20

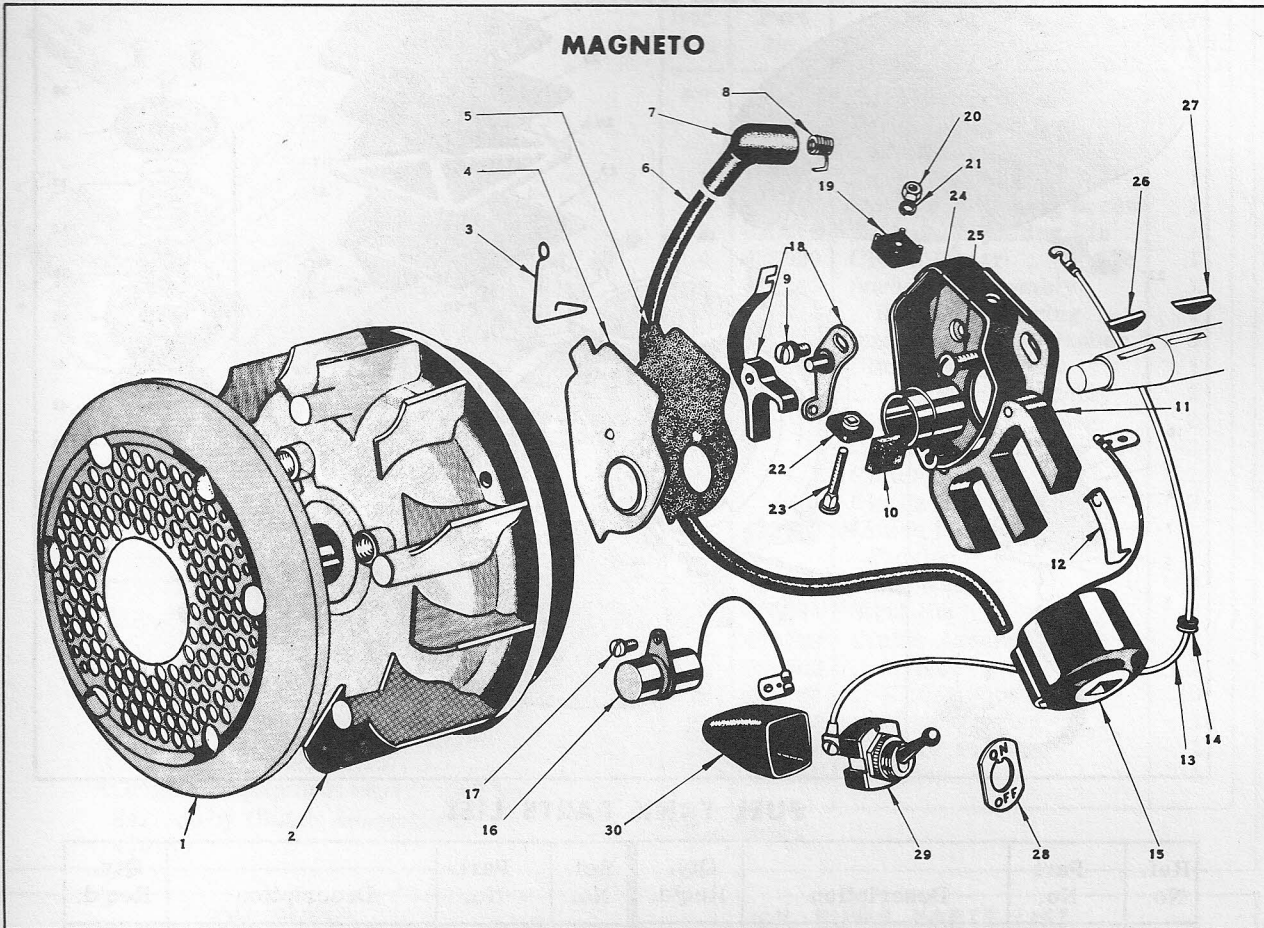


STARTER PARTS LIST

Ref. No.	Part No.	Description	Qty. Req'd.	Ref. No.	Part No.	Description	Qty. Req'd.
*	470695	Starter Unit With Adapter	1	14	203470	Clip Ring	1
1	426783	Starter Adapter	1	15	304323	Cord Anchor	1
2	425708	Starter Screw, Thread Cutting	4	16	602773	Starter Cord Handle	1
*	470012	Starter Assembly	1	17	425271	Starter Cord	1
3	425275	Starter Cover	1	18	426120	Fan Housing	1
4	471585	Rewind Spring (Pkg.)	1	19	304609	Fan Housing Nut	4
5	425270	Rotor Assembly	1	20	425076	Magneto End Seal	1
6	425277	Brake Washer	2	21	425066	Main Bearing	1
7	425280	Fiber Washer	2	22	426784	Starter Cup	1
*	470233	Starter Pawl Assembly	1	23	304671	Flywheel Washer	1
8	425269	Friction Shoe Plate	2	23	425665	Starter Cord Roller	1
9	425273	Spring Retainer	2	24	425916	Flywheel Nut	1
10	425274	Brake Lever Spring	2	25	470699	Foothold Loop Assembly	1
11	425272	Brake Lever	1	26	426663	Foothold Loop Grommet	1
12	425278	Brake Spring	1	27	302948	Starter Adapter Screw	4
13	425281	Brake Retainer Washer	1	28	425709	Roller Pin	1
				29	427193	Fan Housing Gasket	1

*Not Shown

600 SERIES MODELS 6-20 AND SUPER 6-20



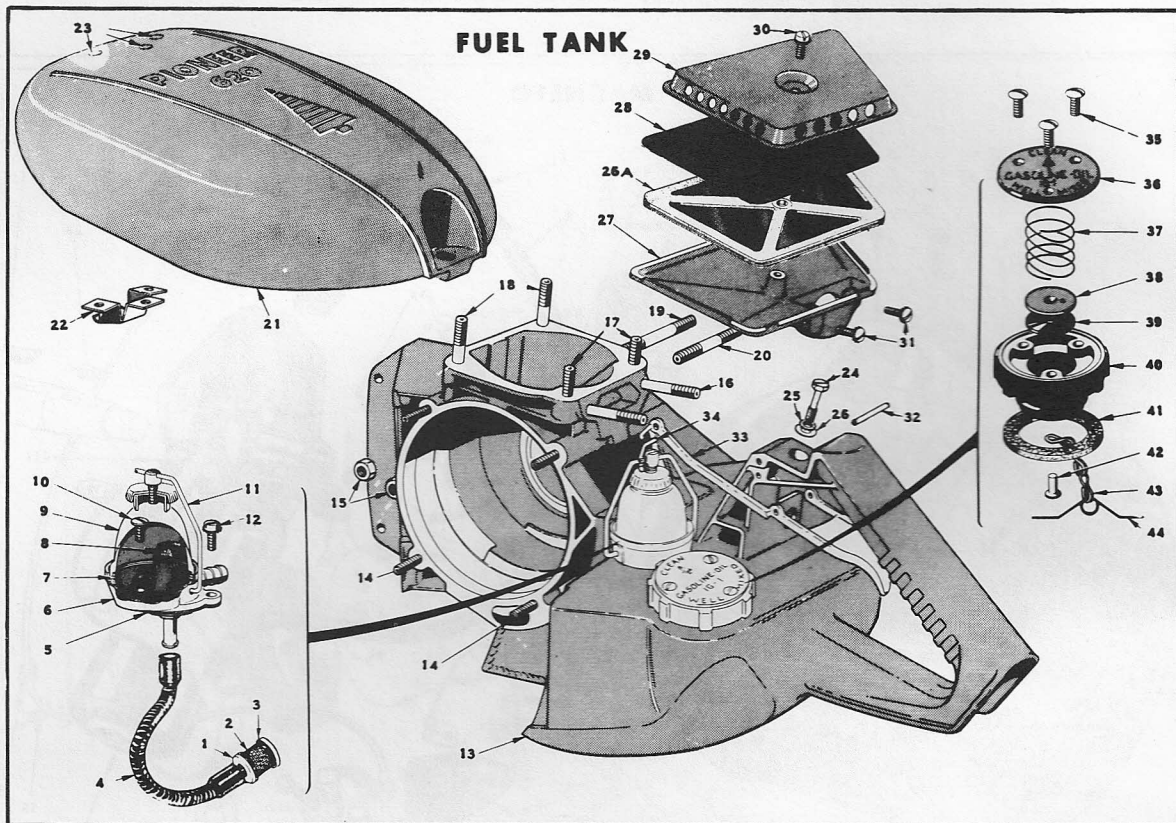
MAGNETO PARTS LIST

Ref. No.	Part No.	Description	Qty. Req'd.	Ref. No.	Part No.	Description	Qty. Req'd.
1	426782	Rotating Screen	1	16	425702	. Condenser and Lead Wire	1
2	426225	Flywheel	1	17	425360	. Condenser Clamp Screw	1
*	470438	Magneto Stator, Complete	1	18	470188	. Breaker Point Set	1
3	425698	. Breaker Box Cover Spring	1	*	470186	. Terminal Connection Unit	1
4	425689	. Breaker Box Cover	1	19	425699	. . Stud Insulator, Outside	1
5	425690	. Gasket	1	20	425697	. . Nut	1
6	426232	. High Tension Wire	1	21	425692	. . Lockwasher	1
7	580339	. Rubber Sparky Assembly	1	22	425700	. . Stud Insulator, Inside	1
8	**	. . Sparky Spring		23	425696	. . Stud	1
9	425693	. Breaker Plate Screw	1	24	425687	Cam	1
10	425694	. Cam Wiper Felt	1	25	304605	Magneto Stator Screw	2
11	470183	. Stator Plate Group, Stator Plate and Coil Only	1	26	425061	Flywheel Key	1
12	425701	. Coil Wedge Spring	1	27	425100	Magneto Cam Key	1
13	470192	. Switch Wire Assy.	1	28	425729	On-Off Switch Plate	1
14	425338	. . Grommet	1	29	425101	Ignition Switch	1
15	470187	. Coil Group	1	30	425985	Switch Terminal Cover	1

*Not Shown

**Serviced in assembly only

600 SERIES MODELS 6-20 AND SUPER 6-20



FUEL TANK PARTS LIST

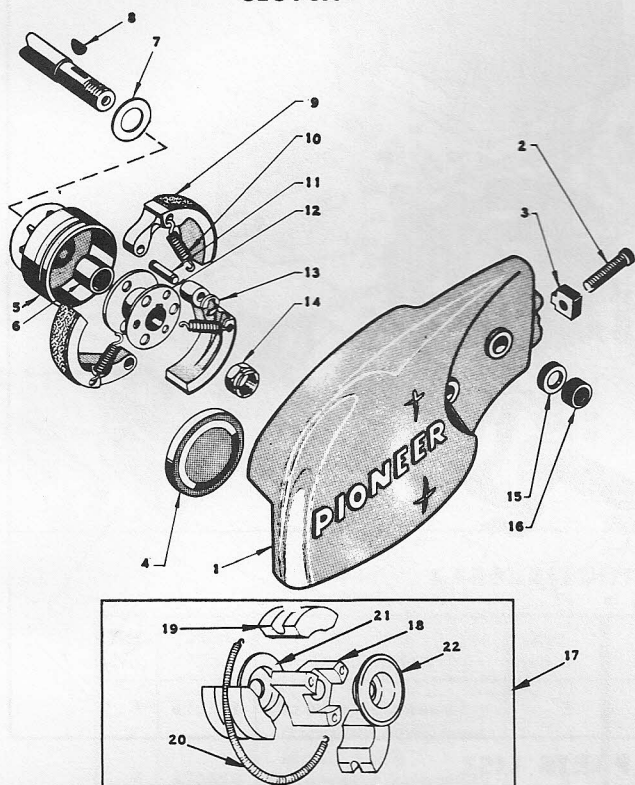
Ref. No.	Part No.	Description	Qty. Req'd.	Ref. No.	Part No.	Description	Qty. Req'd.
1	470090	Gas Pickup Assy.	1	26	306407	. Flat Washer	1
2	425317	. Pickup Screen	1	*	470742	Air Cleaner Assy.	1
3	304614	. "O" Ring	2	26A	470925	. Wire Screen Assy. (Original equipment Super 6-20, add to all Models 6-20 when serviced)	
4	425343	Flex Pickup Line	1				
5	425669	Filter Base Gasket	1				
6	470740	Filter Base Assy.	1				
7	425748	Filter Bowl Gasket	1	27	**	. Air Cleaner Body	1
8	425670	Filter Felt	1	28	470743	. Air Cleaner Element	1
9	425422	Filter Bowl	1	29	426875	. Air Cleaner Cover	1
10	306514	Filter Base Screw	1	30	302948	. Screw	1
11	470194	Clamp Unit	1	31	308116	Screw	1
12	305230	Filter Base Screw	1	32	426636	Throttle Hinge Pin	1
13	470737	Crankcase Assy.	1	33	426969	Throttle Trigger	1
14	425075	. Fan Housing Stud	4	34	426931	Throttle Link	1
15	425078	. Strut Stud Nut	2	*	470726	Gas Cap Assembly	1
16	426702	. Carburetor Stud	2	35	425633	. Gas Cap Screw	3
17	426642	. Cylinder Stud, Short	2	36	426845	. Gas Cap Cover Plate	1
18	425578	. Cylinder Stud, Long	2	37	426844	. Gas Cap Spring	1
19	426121	. Strut Stud, Long	1	38	425994	. Gas Cap Valve Plate	1
20	425027	. Strut Stud, Short	1	39	426013	. Gas Cap Valve	1
21	470744	Outer Shroud Assembly	1	40	425716	. Gas Cap Body	1
22	425653	. Front Shroud Hook	1	41	425087	. Gas Cap Gasket	1
23	308014	. Rivet	3	42	425029	. Gas Cap Rivet	1
24	426869	. Shroud Bolt	1	43	425719	. Gas Cap Chain	1
25	308134	. External Shake- proof Washer	1	44	425718	. Gas Cap Lock Spring	1

*Not Shown

**Serviced in assembly only.

600 SERIES MODEL 6-20 AND SUPER 6-20

CLUTCH



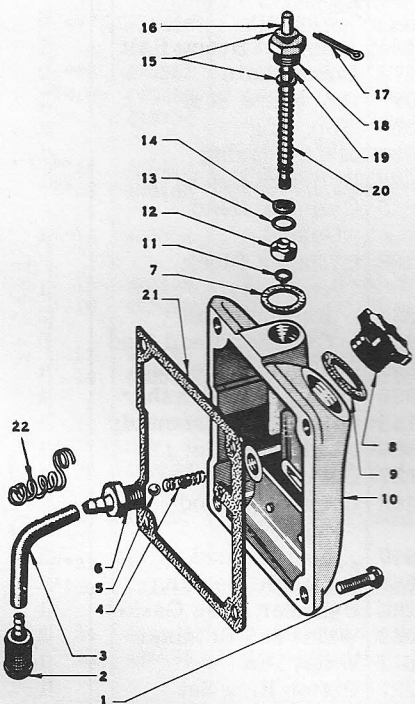
*Original Equipment superseded for Service by Clutch Assembly No. 470789

CLUTCH PARTS LIST

Ref. No.	Part No.	Description	Qty. Req'd.
**	470719	Strut Assembly (Modified for Bow Attachment)	1
1	470442	Strut Assembly	1
2	202190	. Chain Adjusting Screw	1
3	425672	. Chain Adjusting Pin	1
4	425020	Clutch Cover	1
5	470340	Sprocket Assembly	1
6	425091	. Sprocket Bearing	1
7	425015	Inside Sprocket Washer	1
8	425061	Clutch Driver Key	1
9*		Clutch Shoe Assembly	3
10*		Clutch Driver Spring	3
11*		Clutch Driver Pin	3
12*		Clutch Driver	1
13*		Clutch Driver Clip	3
14	425092	Clutch Driver Nut, Flexloc	1
15	425116	Strut Washer	2
16	425031	Strut Nut	2
17	470789	Clutch Assembly	1
18	426962	. Driver	1
19	426963	. Clutch Shoe	3
20	426964	. Clutch Spring	1
21	426965	. Inner Plate	1
22	426966	. Outer Plate	1

**Not Shown

OIL PUMP

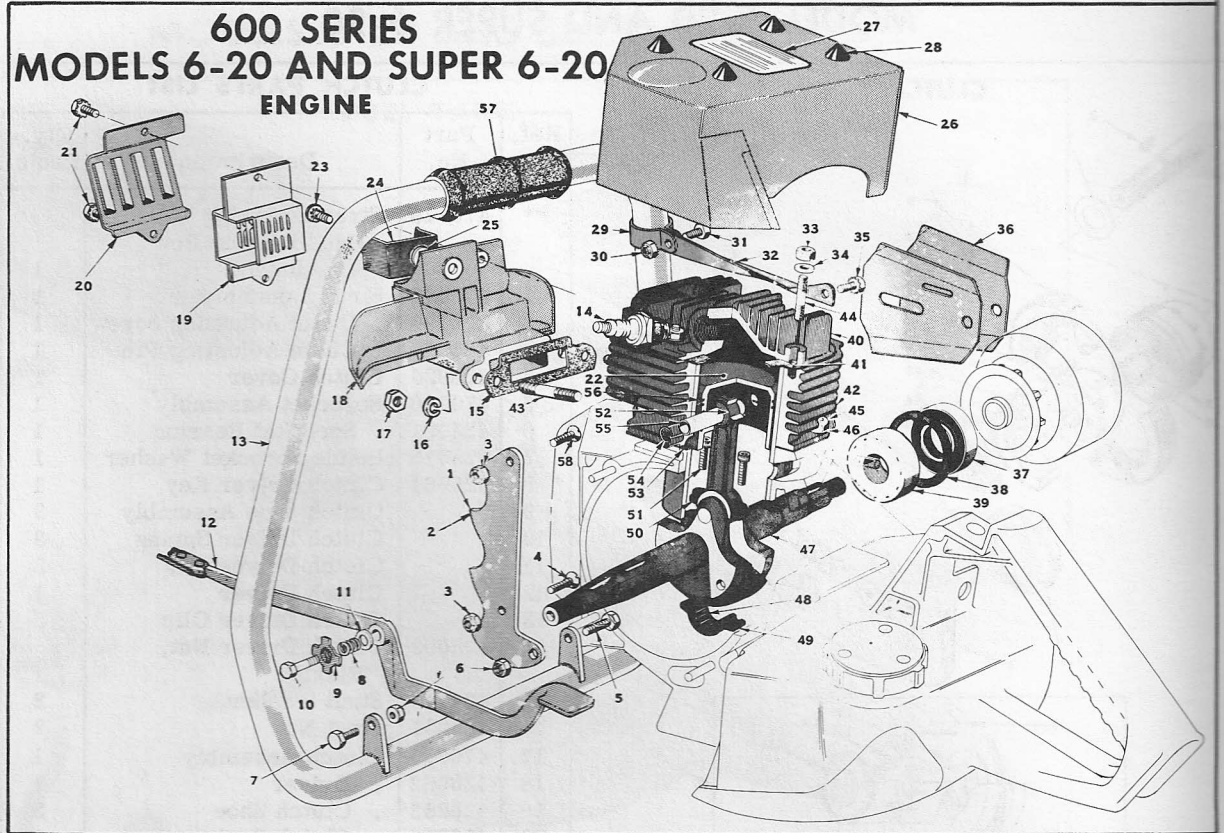


OIL PUMP PARTS LIST

Ref. No.	Part No.	Description	Qty. Req'd.
*	470430	Oiler Body Complete	1
1	302948	. Oiler Body Screw	4
2	470193	. Oiler Pick-up Assy.	1
3	426200	. Oiler Inlet Tube	1
4	426221	. Oil Ball Valve Spring	1
5	426227	. Oiler Ball	1
6	426220	. Oiler Intake Connector	1
7	425093	. Gland Nut Gasket	1
8	470360	. Oiler Filler Cap	1
9	425074	. Oiler Filler Cap Gasket	1
10	426119	. Oiler Body	1
*	470427	. Pump Plunger Assy.	1
11	425114	. . Pump Piston Clip	1
12	426197	. . Pump Piston	1
13	425095	. . Pump Piston Gland "O" Ring	1
14	427329	. . Washer	1
15	425021	. . Gland Washer	2
16	426196	. . Plunger Rod	1
17	304634	. . Cotter Pin	1
18	425085	. . Gland Nut	1
19	425028	. . "O" Ring	1
20	426198	. . Pump Spring	1
21	426199	Oiler Body Gasket	1
22	427342	. Spring	1

*Not Shown

600 SERIES MODELS 6-20 AND SUPER 6-20 ENGINE



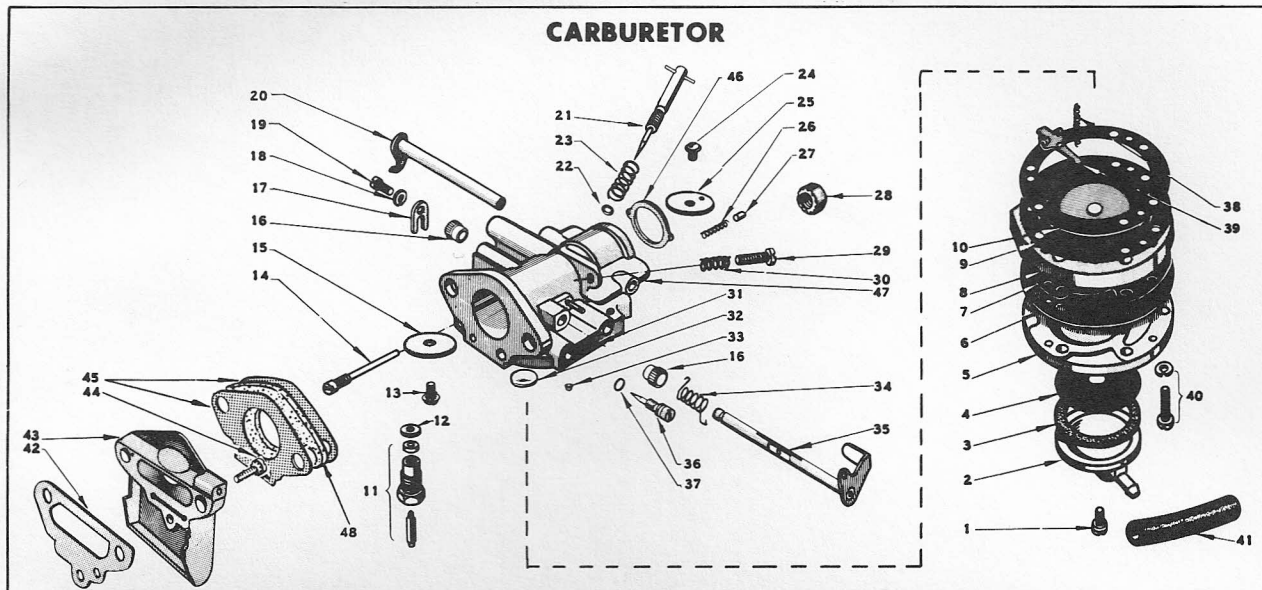
ENGINE PARTS LIST

Ref. No.	Part No.	Description	Qty. Req'd.	Ref. No.	Part No.	Description	Qty. Req'd.
1	426203	Pivot Grip, Eastern	1	29	425661	Brace Clamp	1
2	426202	Pivot Grip, Western	1	30	426942	Brace Clamp Locknut	1
3	426942	Nut	2	31	300977	Brace Clamp Bolt	1
4	308330	Screw	1	32	426873	Forward Brace	1
5	131054	Front Handle Bolt, Long	1	33	306397	Cylinder Head Nut	6
6	426942	Front Handle Nut	2	34	552743	Cylinder Head Washer	6
7	300635	Front Handle Bolt, Short	1	35	552421	Forward Brace Bolt	1
8	425319	Oiler Lever Spring	1	36	425674	Guide Plate	2
9	425680	Oiler Lever Pin Lock	1	37	425077	Drive End Seal	1
10	425705	Oiler Lever Pin	1	38	425067	Clip Ring	1
11	425021	Oiler Lever Washer	1	39	425066	Main Bearing	1
12	470428	Oiler Lever Assy.	1	40	425648	Cylinder Head	1
13	† 471264	Front Handle Assy., Includes Grip	1	41	425643	Cylinder Head Gasket	1
14	076152	Spark Plug	1	42	470468	Cylinder Block Assembly	1
15	426205	Exhaust Gasket	1	43	425334	. Exhaust Stud	2
16	306396	Lockwasher	2	44	425334	. Cylinder Head Stud	6
17	306397	Nut	2	45	306397	Cylinder Base Nut	4
18	470739	Muffler Assembly	1	46	306396	Spring Lock Washer	4
19	470787	. Spark Arrestor Assembly	1	47	470755	Crankshaft Assembly	1
20	426858	. Exhaust Deflector	1	48	470926	Needles (Set of 12)	1
21	307613	. Screw	2	49	470927	Bearing Cage Set	1
22	425640	Piston	1	50	470168	Connecting Rod Assembly	1
23	304607	Exhaust Screw	1	51	304610	. Socket Head Screw	2
24	425655	Latch Trunnion	1	52	425060	. Needle Bearing	1
25	425649	Exhaust Insulating Washer	1	53	426204	Cylinder Base Gasket	1
26	470746	Inner Shroud Assembly	1	54	425062	Wrist Pin Retainer	2
27	*	. Warning Decal	1	55	425641	Wrist Pin	1
28	426746	. Bumpers	4	56	470777	Piston Ring Set	1
				57	470795	Handle Grip - Service	
				58	131054	Bolt - Pivot Grip	1

*Not Serviced

† Optional 1/2 handle assembly, 470794

600 SERIES MODELS 6-20 AND SUPER 6-20



CARBURETOR PARTS LIST

Ref. No.	Part No.	Description	Qty. Req'd.	Ref. No.	Part No.	Description	Qty. Req'd.
*	470171	Carburetor Assembly (Original equipment Model 6-20)	1	26	425450	Choke Friction Spring	1
*	470860	Carburetor Assembly (Original equipment Super 6-20)	1	27	425407	Choke Friction Pin	1
**1	425741	Fuel Strainer Cover Retaining Screw	1	28	304609	Carburetor Nut	2
2	425492	Fuel Strainer Cover	1	**29	425401	Idle Speed Regulating Screw	1
**3	425493	Fuel Strainer Cover Gasket	1	**30	425386	Idle Speed Regulating Screw Spring	1
**4	425494	Fuel Strainer Screen	1	31	425391	Diaphragm Chamber Drain Screw	1
5	425490	Fuel Pump Body	1	**32	425394	Body Channel Welch Plug	1
**6	426909	Fuel Pump Diaphragm	1	**33	425501	Body Channel Cup Plug	1
**7	425506	Fuel Pump Gasket	1	**34	425505	Throttle Shaft Return Spring	1
8	425744	Diaphragm Cover	1	35	470119	Throttle Shaft and Lever	1
**9	470361	Diaphragm	1	**36	470195	Idle Adjustment Screw	1
**10	425496	Diaphragm Gasket	1	**37	425502	Seal Ring	1
**11	470734	Inlet Needle, Seat and Gasket	1	**38	425498	Inlet Tension Spring	1
**12	425486	Inlet Seat Gasket	1	**39	425489	Inlet Control Lever	1
**13	426145	Throttle Shutter Screw	1	40	426146	Fuel Pump Body Screw and Lockwasher	6
**14	470395	Inlet Control Lever Pinion Screw	1	41	426997	Fuel Line	1
15	425446	Throttle Shutter	1	42	426123	Gasket, Adapter to Crankcase	1
16	425469	Throttle Shaft Bushing	2	43	426193	Carburetor Adapter	1
17	425459	Throttle Shaft Clip	1	44	304606	Carburetor Adapter Screw	1
18	425387	Throttle Shaft Clip Washer	1	**45	425046	Carburetor Gasket	2
19	425390	Throttle Shaft Clip Retaining Screw	1	46	425669	Air Cleaner Gasket	1
20	470196	Choke Shaft and Lever	1	47	470350	Carburetor Body, Complete with Parts Pressed In For Service On No. 470171	1
**21	470197	Main Adjustment Screw	1	47	470867	Carburetor Body, Complete with Parts Pressed In For Service On No. 470860	1
**22	425502	Seal Ring	1	48	425328	Insulating Gasket	1
**23	425747	Main Adjustment Screw Spring	1				
24	426145	Choke Shutter Screw	1				
25	425456	Choke Shutter	1				

*Not Shown

**470325 Repair Parts Kit, Also Includes Carburetor Gasket and Packing Kit 470322.

NOTE: All Service Parts Are Common to Both Carburetor Assemblies 470171 and 470860