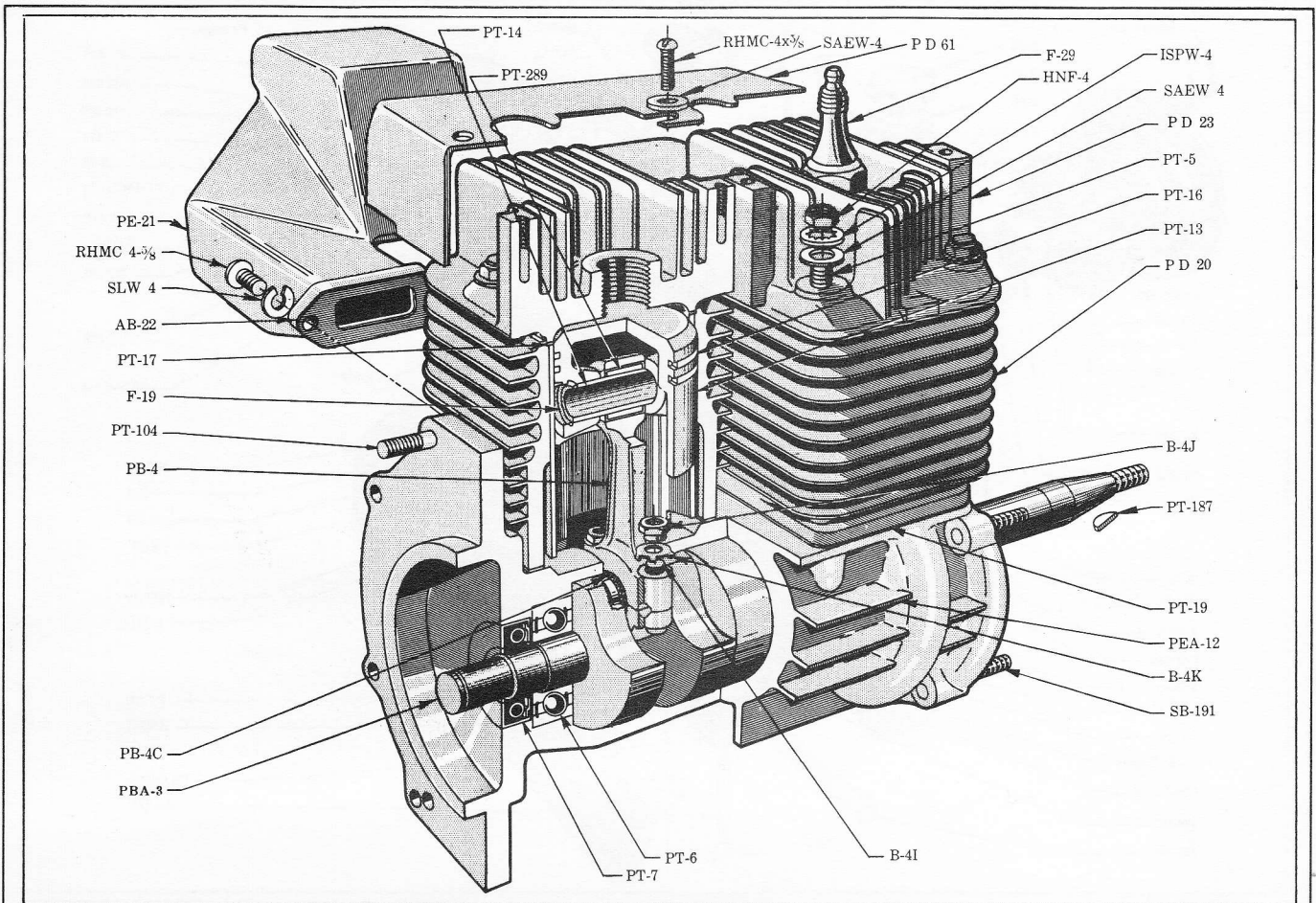
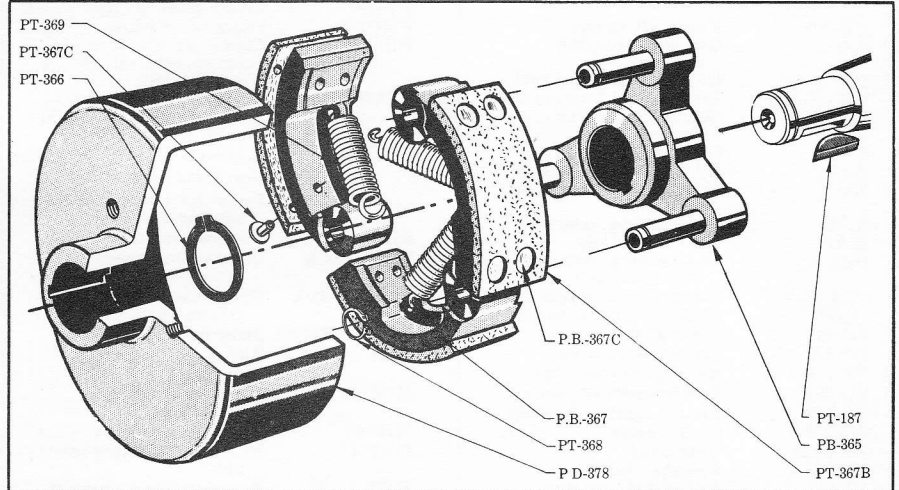


52 SUPER TWIN



ENGINE

AB-22	Exhaust manifold gasket (2 used)
B-4-I	Con rod bolt (4 used)
B-4-J	Con rod nut (4 used)
B-4-K	Con rod tab washer (4 used)
F-19	Retaining rings (4 used)
F-29	Spark Plug (2 used)
PBA-3	Crankshaft and Rotary valve
PB-4	Con rod assembly (2 used)
PB-4-C	Loose needles for con rod assembly (54 used)
PD-20	Cylinder unit (2 used)
PE-21	Exhaust manifold (2 used)
PD-23	Cylinder head (2 used)
PD-61	Outlet deflector
PT-5	Through studs (8 used)
PT-6	Bearing (2 used)
PT-7	Oil seal (2 used)
PT-13	Piston (2 used)
PT-14	Wrist pin (2 used)
PT-16	Piston rings (4 used)
PT-17	Cylinder head gasket (2 used)
PT-19	Cylinder base gasket (2 used)
PT-104	Swivel stud (3 used)
PT-187	Woodruff key (3 used)
PT-289	Needle bearing (wrist pin end) (2 used)

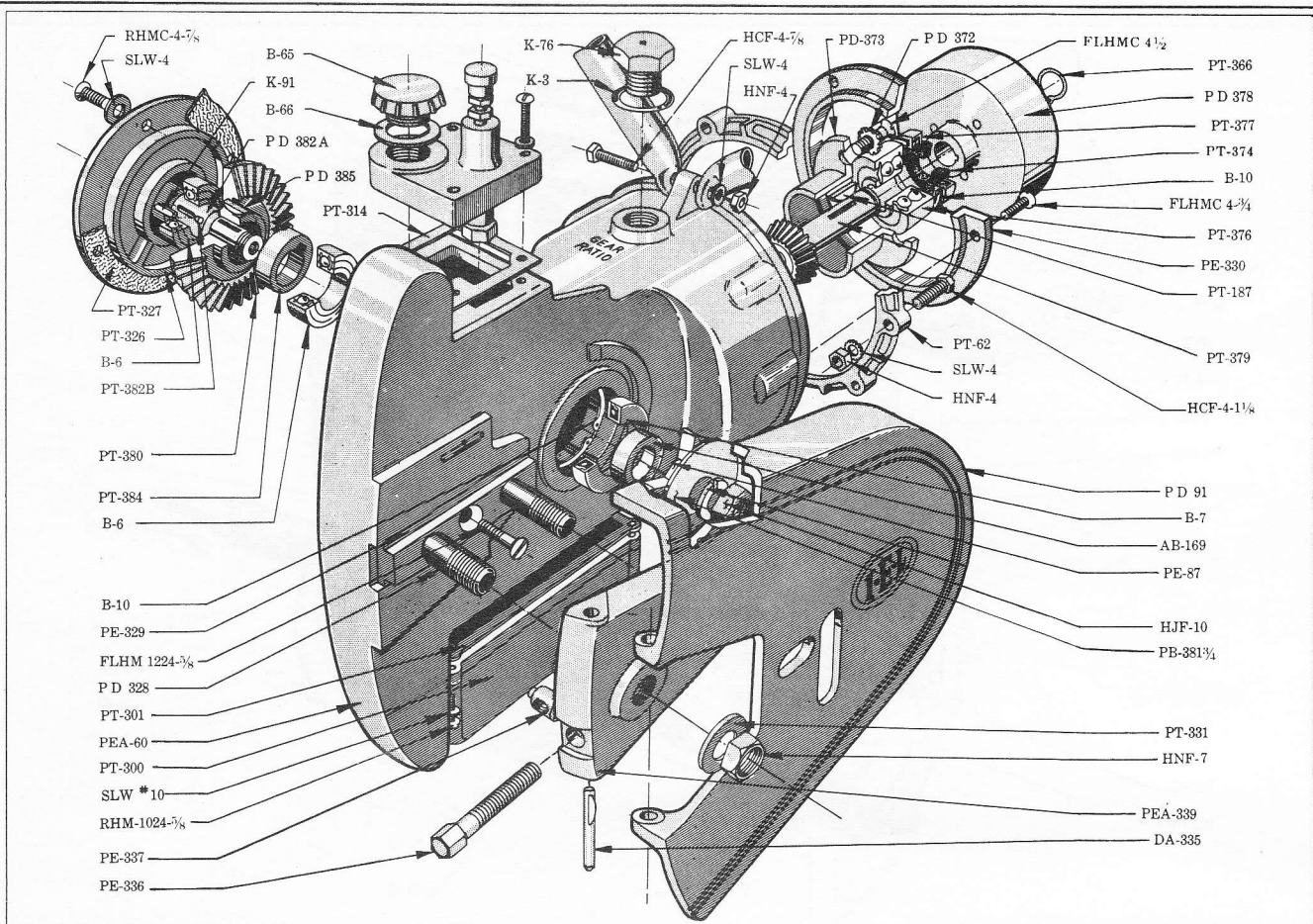


PEA-12	Crankcase assembly
ISPW-4	Cylinder head lockwasher (8 used)
RHMC 4x3/8	Outlet deflector screws (2 used)
RHMC 4x3/8	Exhaust Body screws (4 used)
HNF-4	Cylinder head nuts (8 used)
SAEW-4	Outlet deflector washers (2 used)
SLW-4	Lockwashers (4 used)
SAEW-4	Flat washers (8 used)
SB-191	Fan housing studs (4 used)

CLUTCH

PB-365	Clutch driving plate
PB-367	Clutch shoe (3 used)
PB-367C	Clutch lining rivet (long) (6 used)
PD-378	Clutch drum
PT-187	Pinion shaft key
PT-366	Clutch retainer clip (1 used)
PT-367B	Clutch lining (3 used)
PT-367C	Clutch lining rivet (short) (6 used)
PT-368	Clutch shoe clip (3 used)
PT-369	Clutch spring (3 used)

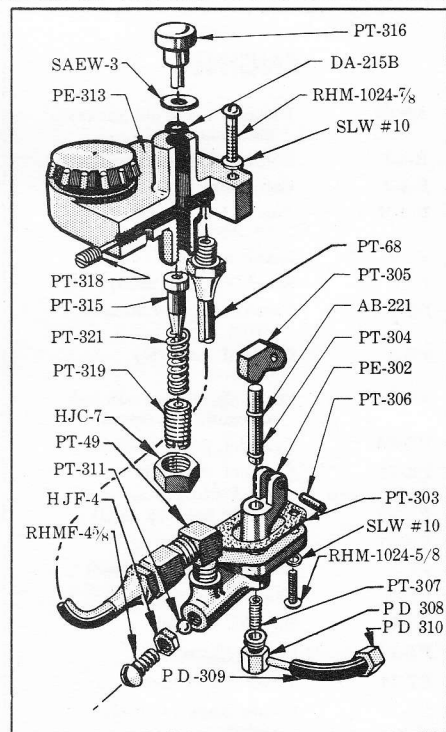
52 SUPER TWIN



TRANSMISSION

- AB-169 Gearshaft spacer
- B-6 Gearshaft bearing (2 used)
- B-7 Gearshaft bearing seal
- B-10 Pinion shaft bearing clip
- B-10 Gearshaft bearing retainer clip
- B-65 Oil filler cap
- B-66 Oil filler cap gasket
- K-3 Gearhousing vent plug washer
- K-76 Gearhousing vent plug
- PEA-60 Crown gear with key and studs only
- PEA-60-1 Transmission assembly
- PE-87 Chain driving sprocket
- PD-91 Chain guard
- PD-328 Strut stud (2 used)
- PEA-339 Adjusting type strut
- PD-372 Lockwashers (4 used)
- PD-373 Pinion bearing housing
- PD-378 Clutch drum
- PD-382A Gear shaft
- PD-385 Sprocket key
- PT-62 Swivel holding ring
- PT-187 Pinion shaft key
- PT-300 Oil sump
- PT-301 Oil sump gasket
- PT-314 Oil control body gasket
- PT-326 Gearhousing cover gasket (4 used)
- PT-327 Gearhousing cover gasket (4 used)
- PE-329 Strut key
- PE-330 Gearhousing insert
- PT-331 Strut stud washer (2 used)
- PE-336 Chain tightener adjusting screw
- PE-337 Chain tightener adjusting pin
- PE-381-3/4 Sprocket washer
- PT-376 Pinion shaft bearing
- PT-377 Pinion shaft seal
- PT-379 Pinion gear - 4-1 gear ratio—sold only in set as PTA-380

- PT-366 Clutch retainer clip
- PT374 Drum felt washer
- PT-380 Crown gear - 4-1 gear ratio—sold only in set as PTA-380
- PTA-380 Crown and Pinion set - 4-1 gear ratio (sold only in sets)
- PT-382B Eccentric pin
- PT-384 Gearshaft eccentric
- FLHMC 4x1/2 Screw for pinion bearing housing (4 used)
- RHM 1024x7/8 Oil sump screws (4 used)
- RHM 4x7/8 Gearhousing cover screws (4 used)
- FLHMC 4x3/4 Gearhousing insert screws (8 used)
- FLHM 1224x5/8 Strut key screw
- HCF 4x1 1/2 Swivel holding ring bolt (5 used)
- HCF 4x7/8 Front handle upper brace bolt
- HJF-10 Chain sprocket nut
- HNF-4 Front handle upper brace nut
- HNF-4 Swivel holding ring nut (8 used)
- HNF-7 Strut stud nut (2 used)
- SLW-4 Gearhousing cover washers (4 used)
- SLW-4 Swivel holding ring washer (8 used)
- SLW-4 Front handle upper brace washer
- SLW No. 10 Oil sump washer (4 used)
- DA-335 Guard hinge pin

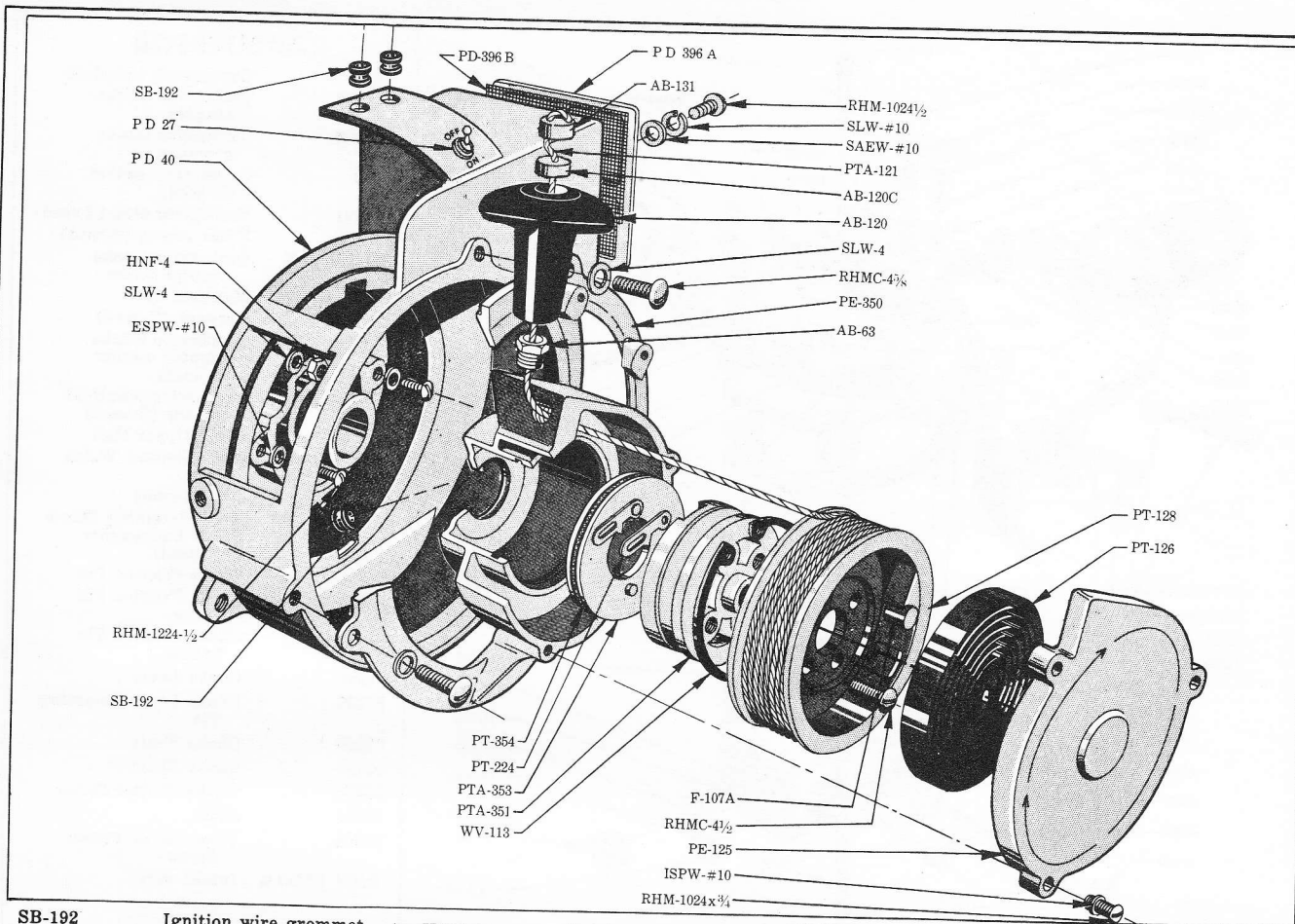


OIL PUMP

- AB-221 Oil pump plunger grommet (2 used)
- PD-308 Oil pump inlet valve
- PD-309 Oil pump intake tube
- PD-310 Oil pump intake
- PE-302 Oil pump body

- PEA-302-1 Oil pump and oiler control assy., complete
- PT-303 Oil pump body gasket
- PT-304 Oil pump plunger
- DA-215B Oil control gland packing (2 used)
- PT-49 SAE male elbow

52 SUPER TWIN



- SB-192 Ignition wire grommet (4 used)
- PT-68 Oil delivery line
- SAEW3 Oil control gland washer
- PT-305 Oil pump rocker
- PT-306 Oil pump rocker pin
- PT-307 Oil pump plunger spring
- PT-311 Oil pump outlet valve
- PE-313 Oiler control body
- PT-315 Oiler control valve
- PT-316 Oiler control valve shaft
- PT-318 Oiler metering plug
- PT-319 Oiler control valve seat
- PT-321 Oiler control valve spring
- RHM 1024- 3/4 Oil pump body screw (3 used)
- RHM 1024- 7/8 Oiler control body screw (3 used)
- RHMF 4x 5/8 Oil pump outlet valve screw
- HJC-7 Oiler valve seat-locknut
- SLW-No. 10 Oiler control body washer (3 used)
- SLW-No. 10 Oil pump body washer
- HJF-4 Oil pump nut

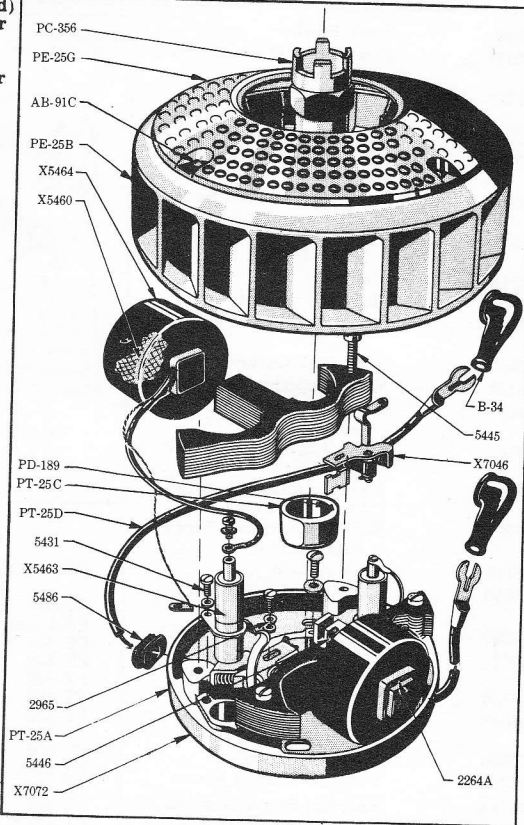
Fan Housing and Starter

- AB-63 Starter cable bushing
- AB-120 Starter handle
- AB-120C Starter rope washer
- AB-131 Starter cable anchor
- PD-27 Ignition switch
- PD-40 Fan housing
- PE-350 Starter housing
- PD-396A Air cleaner element
- PD-396B Air cleaner screen
- PD-350-1 Starter assembly, complete
- PE-125 Starter cover
- PT-126 Starter spring
- PT-128 Starter pulley
- PT-224 Starter pawl (4 used)
- PT-354 Starter slip plate friction ring
- PTA-121 Starter cable assembly
- PTA-351 Starter Rotor assembly
- PTA-353 Starter Slip Plate, complete with studs
- F-107A Starter cable ferrule

- HNF-4 Fan housing nut (4 used)
- ESPW-No. 10 Magneto Stator washer (2 used)
- SAEW-No. 10 Air cleaner washer
- SLW-4 Starter housing washer (3 used)
- SLW-4 Fan housing washer (4 used)
- ISPW-No. 10 Starter cover washer (3 used)
- RHM 1224- 1/2 Magneto Stator screw
- RHMC 4x 1/2 Starter pulley screw (4 used)
- RHMC 4x 3/4 Starter housing screw (3 used)
- RHM 1024x 1/2 Air cleaner screw
- RHM 1024x 3/8 Starter back plate screws (4 used)
- RHM 1024x 3/4 Starter cover screws (3 used)
- SLW-No. 10 Air cleaner lock washer
- WV-113 Clip ring

MAGNETO

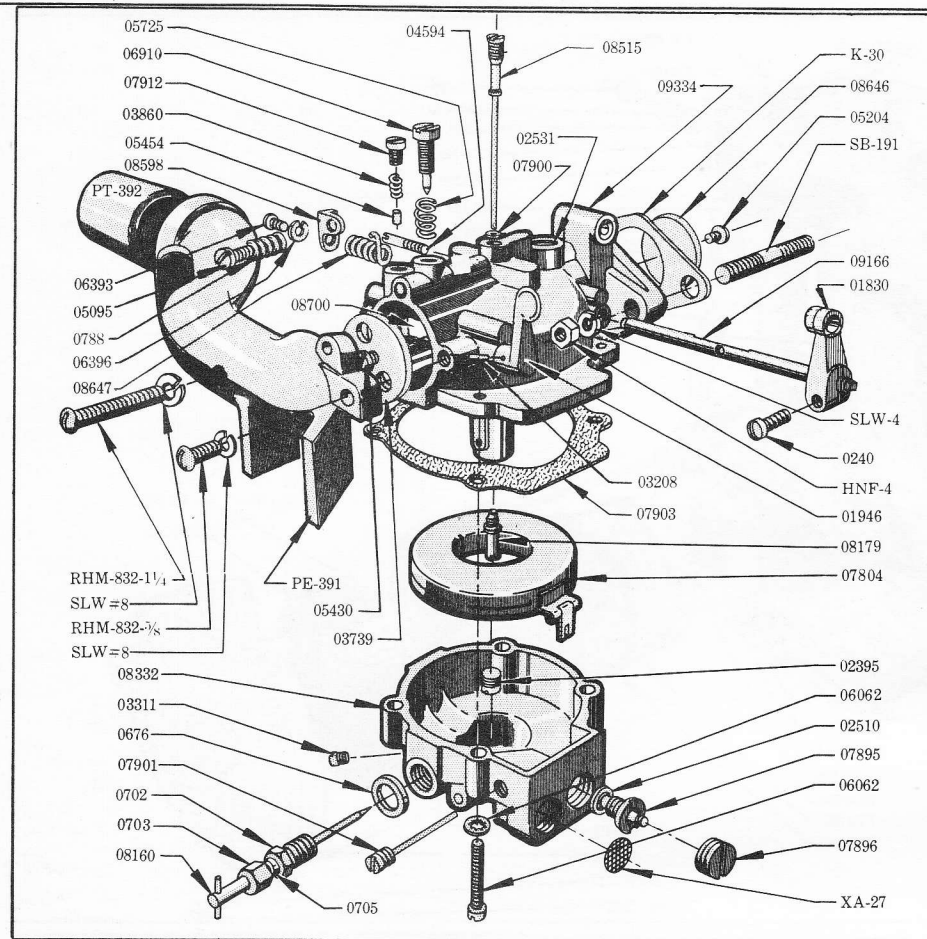
- B-34 Spark plug cover (2 used)
- PE-25B Rotor fan
- PC-356 Starter driver nut
- PT-25 Magneto assembly, complete
- PT-25A Stator plate unit (includes coil, condenser and breaker mechanism) (Wico X-7068)
- PT-25C Breaker cam
- 2264A Ignition wire (2 used)
- 2965 Coil wedge (4 used)
- 5431 Fixed contact clamp screw washer (4 used)
- 5445 Screw (6 used)
- 5446 Core screw (4 used)
- 5486 Cam wiper felt (2 used)
- X-5460 Ignition wire grommet (2 used)
- X-5463 Coil (2 used)
- PE-25G Condensator (2 used)
- X-5464 Screen
- PD-189 Coil terminal protector (2 used)
- Cam key



- X-7046 Breaker contact set (2 used)
- X-7072 Stator plate only
- AB-91C Rivets (3 used)

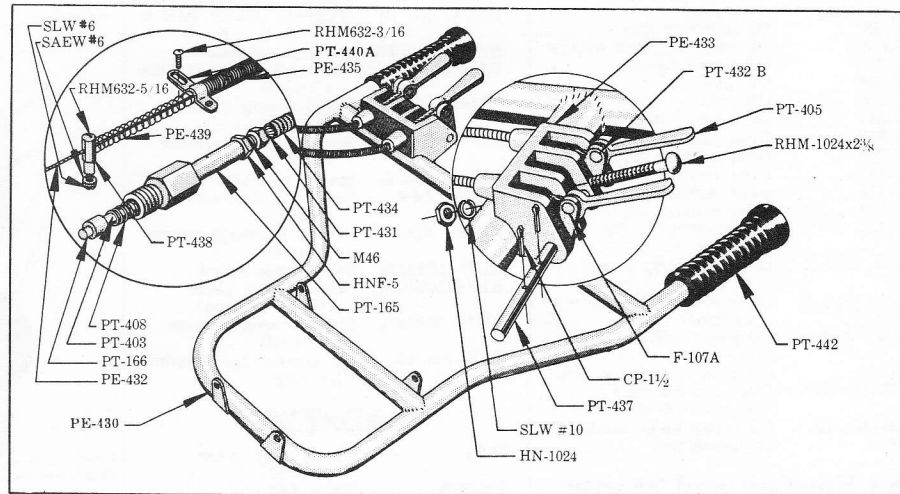
52 SUPER TWIN

CARBURETOR



- PD-47 Carburetor, complete
- PE-391 Carburetor intake adapter
- PT-392 Carburetor intake grommet
- K-30 Carburetor gasket (2 used)
- SB-191 Carburetor stud (2 used)
- XA-27 Filter screen (2 used)
- RHM 832x $\frac{5}{8}$ Carburetor intake adaptor screw
- HCF 4x $\frac{7}{8}$ Manifold bolt
- HNF 4 Locknut (2 used)
- SLW No. 8 Carburetor intake adaptor washer (2 used)
- SLW 4 Carburetor manifold washer (2 used)
- 09334 Body, Upper Half
- 02531 Body Channel Welch Plug
- 07903 Body Gasket
- 06062 Body Retaining Screw and Lockwasher (4 used)
- 05454 Choke Friction Pin
- 07912 Choke Friction Pin Screw
- 03860 Choke Friction Pin Spring
- 01946 Choke Lever
- 03208 Choke Lever Retaining Pin
- 08700 Choke Shaft
- 03739 Choke Shutter
- 05430 Choke Shutter Screw
- 07804 Float
- 07901 Float Lever Pinion Screw
- RHM 832x $\frac{1}{4}$ Intake screw

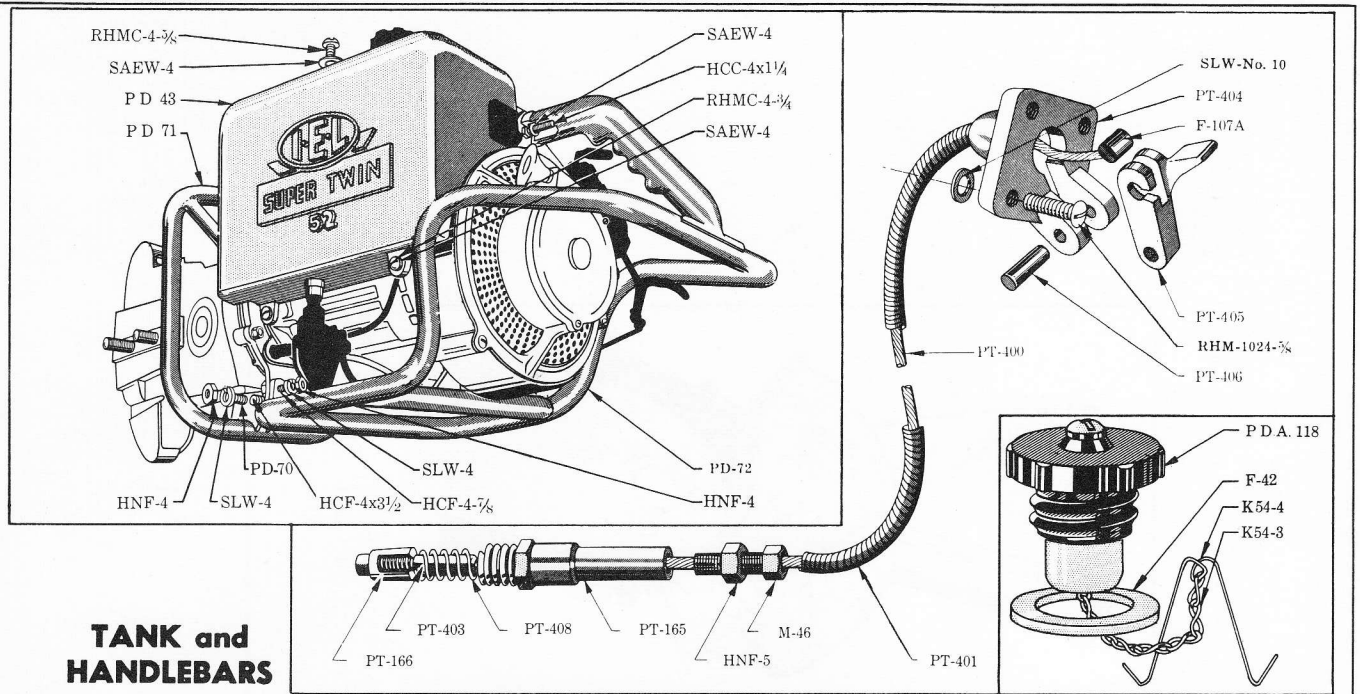
- 08332 Float Bowl
- 03311 Float Bowl Drain Screw (Small)
- 07896 Float Bowl Plug Screw (Large)
- 06910 Idle Adjustment Screw
- 05725 Idle Adjustment Screw Spring
- 05095 Idle Speed Regulating Screw
- 0788 Idle Speed Regulating Screw Spring
- 08515 Idle Tube
- 07900 Idle Tube Gasket
- 07895 Inlet Needle, Seat and Gasket
- 02510 Inlet Seat Gasket
- 08160 Main Adjustment Screw
- 0702 Main Adjustment Screw Gland
- 0676 Main Adjustment Screw Gland Gasket
- 0705 Main Adjustment Screw Screw Packing
- 0703 Main Adjustment Screw Packing Nut
- 08179 Main Nozzle
- 02395 Main Nozzle Channel Plug Screw
- 01830 Throttle Lever
- 0240 Throttle Lever Retaining Screw
- 09166 Throttle Shaft
- 08647 Throttle Shaft Return Spring
- 08646 Throttle Shutter
- 05204 Throttle Shutter Screw
- 04594 Throttle Stop Lever Pin
- 08598 Throttle Stop Lever
- 06393 Throttle Stop Lever Retaining Screw
- 06396 Throttle Stop Lever Retaining Lockwasher



OPTIONAL HANDLE BARS

- | | | | |
|---------|---|--------------------------|--|
| PEA-430 | Two-man handlebar, complete with controls | PT-440 A | Throttle clip |
| PE-430 | Two-man handlebar | PT-441 | $\frac{3}{4}$ Diameter Welch Plug (for plugging one-man swivel control hole in gas tank) |
| PEA-435 | Throttle cable assembly | PT-442 | Rubber handles (2 used) |
| PE-435 | Throttle casing unit | M-46 | Adjusting screw |
| PE-439 | Throttle return spring | F-107A | Swivel control nipple |
| PT-165 | Swivel lock body | SAEW No. 6 | Throttle pin washer |
| PT-166 | Swivel lock pin | SLW No. 6 | Throttle pin lockwasher |
| PT-403 | Swivel cable threaded end | RHM 632x $\frac{7}{8}$ | Throttle clip screws (2 used) |
| PT-405 | Control lever (2 used) | RHM 632x $\frac{7}{8}$ | Throttle pin screws (2 used) |
| PT-408 | Swivel lock spring | HN 1024 | Dual control nuts |
| PT-431 | Swivel cable | RHM 1024x2 $\frac{3}{8}$ | Dual control screws |
| PE-432 | Throttle cable unit Nipple | HNF 5 | Swivel lock nut |
| PT-432B | Dual control body | SLW No. 10 | Lockwashers |
| PE-433 | Swivel cable assembly | CP-1 $\frac{1}{2}$ | Cotter keys |
| PTA-434 | Swivel outer casing unit | | |
| PT-434 | Swivel outer casing unit | | |
| PT-437 | Hinge pin | | |
| PT-438 | Throttle pin | | |

52 SUPER TWIN



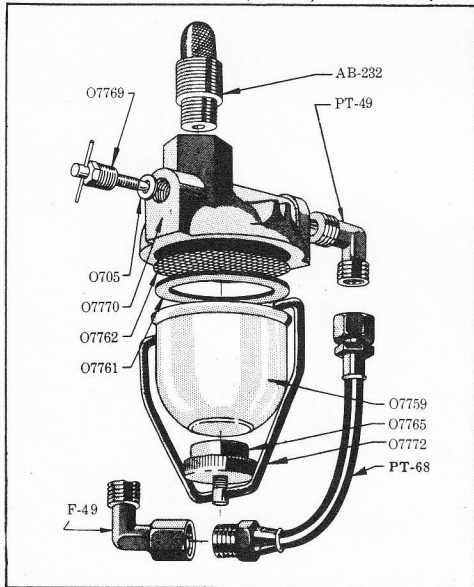
TANK and HANDLEBARS

- PD-43 Gas tank
- PD-71 Front handle assembly
- PD-72 Rear handle assembly
- PD-70 Front handle stud
- RHMC 4x 3/4 Gas tank side mounting screw (2 used)
- HNF-4 Rear handle mounting nuts (4 used)
- HNF-4 Front handle lower bracket nut (3 used)
- HCF 4x 7/8 Rear handle mounting bolts (4 used)

- SAEW-4 Gas tank washer (4 used)
- SAEW-4 Rear handle top brace washer
- SLW-4 Front handle lower bracket washer (3 used)
- SLW-4 Rear handle mounting washer (6 used)
- HCF 4x3 1/2 Front handle lower bracket bolt (1 used)
- HCC 4x1 1/4 Rear handle top brace bolt
- RHMC 4x 3/4 Gas tank screw (2 used)

SWIVEL LOCK ASS'Y

- PDA-118 Gas tank filler cap unit
- PT-165 Swivel lock body
- PT-166 Swivel lock pin
- PTA-400 Swivel cable assembly, complete
- PT-400 Swivel cable
- PT-401 Swivel cable outer casing
- PT-403 Swivel cable threaded end



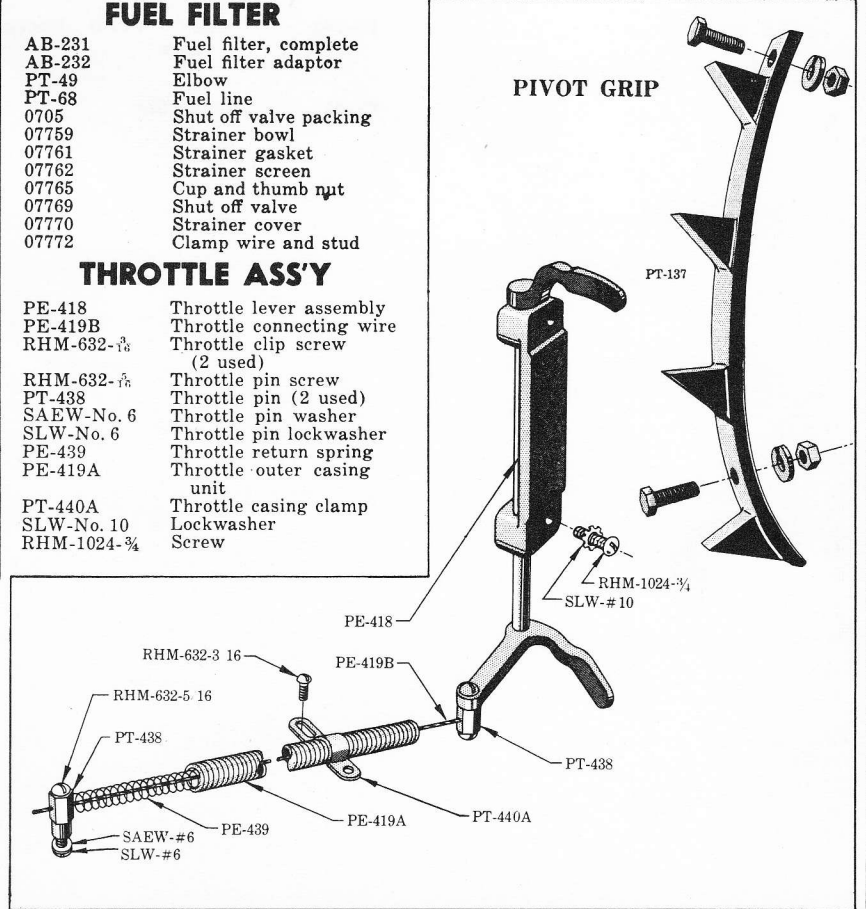
FUEL FILTER

- AB-231 Fuel filter, complete
- AB-232 Fuel filter adaptor
- PT-49 Elbow
- PT-68 Fuel line
- 0705 Shut off valve packing
- 07759 Strainer bowl
- 07761 Strainer gasket
- 07762 Strainer screen
- 07765 Cup and thumb nut
- 07769 Shut off valve
- 07770 Strainer cover
- 07772 Clamp wire and stud

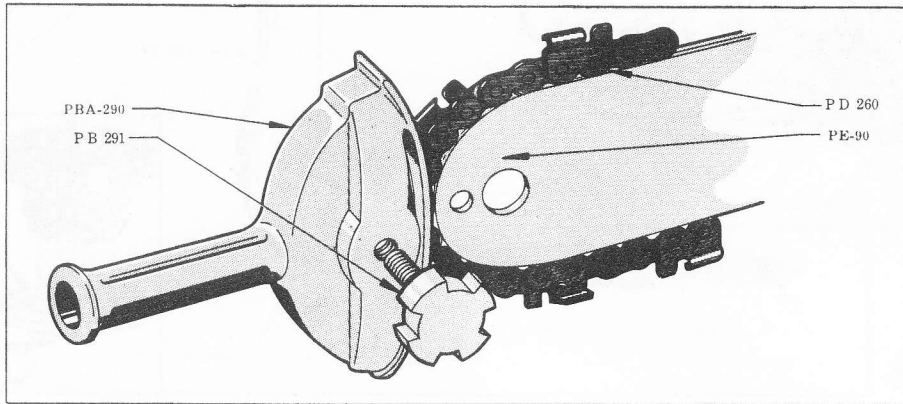
THROTTLE ASS'Y

- PE-418 Throttle lever assembly
- PE-419B Throttle connecting wire
- RHM-632-3/8 Throttle clip screw (2 used)
- RHM-632-5/8 Throttle pin screw
- PT-438 Throttle pin (2 used)
- SAEW-No. 6 Throttle pin washer
- SLW-No. 6 Throttle pin lockwasher
- PE-439 Throttle return spring
- PE-419A Throttle outer casing unit
- PT-440A Throttle casing clamp
- SLW-No. 10 Lockwasher
- RHM-1024-3/4 Screw

PIVOT GRIP



- PTA-404 Swivel control assembly
- PT-404 Swivel control body
- PT-405 Swivel control lever
- PT-406 Swivel control pin
- PT-408 Swivel lock spring
- F-42 Gas tank filler cap gasket
- F-107A Swivel cable ferrule
- K-54-3 Filler cap chain
- K-54-4 Filler cap lock spring
- M-46 Swivel cable adjustment screw
- RHM 1024x 5/8 Swivel control body screws (3 used)
- HNF-5 Swivel lock nut
- SLW-No. 10 Swivel control body washer (3 used)



HELPER'S HANDLE

PBA-290	Helper's handle complete
PB-291	Clamping screw
PD-260	EEZY - FEED Planer Chain
PE-90	Cutter bar