

# 281 XP

**Spare parts**

**Ersatzteile**

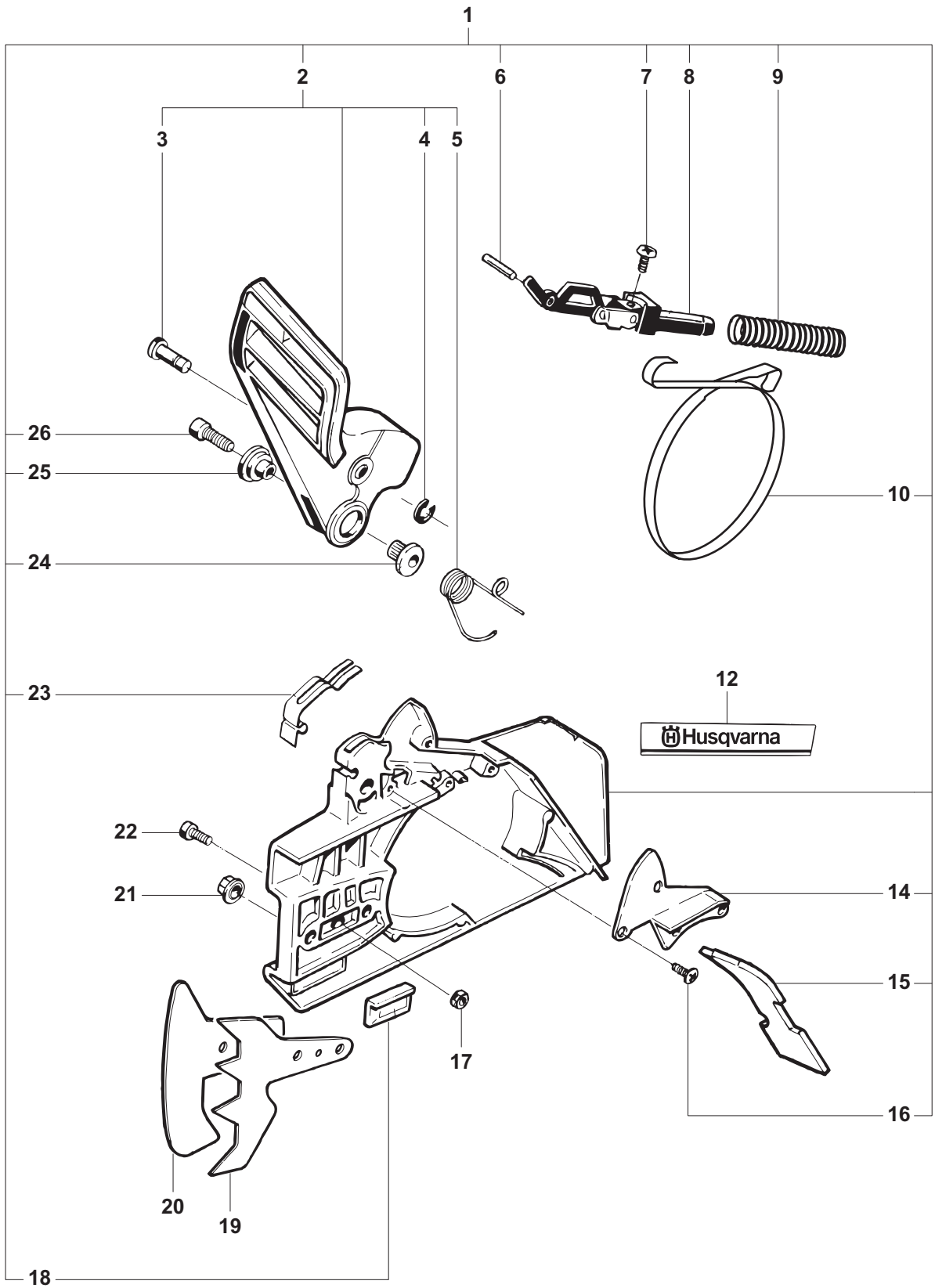
**Pièces détachées**

**Reserve onderdelen**

**Repuestos**

**Reservdelar**

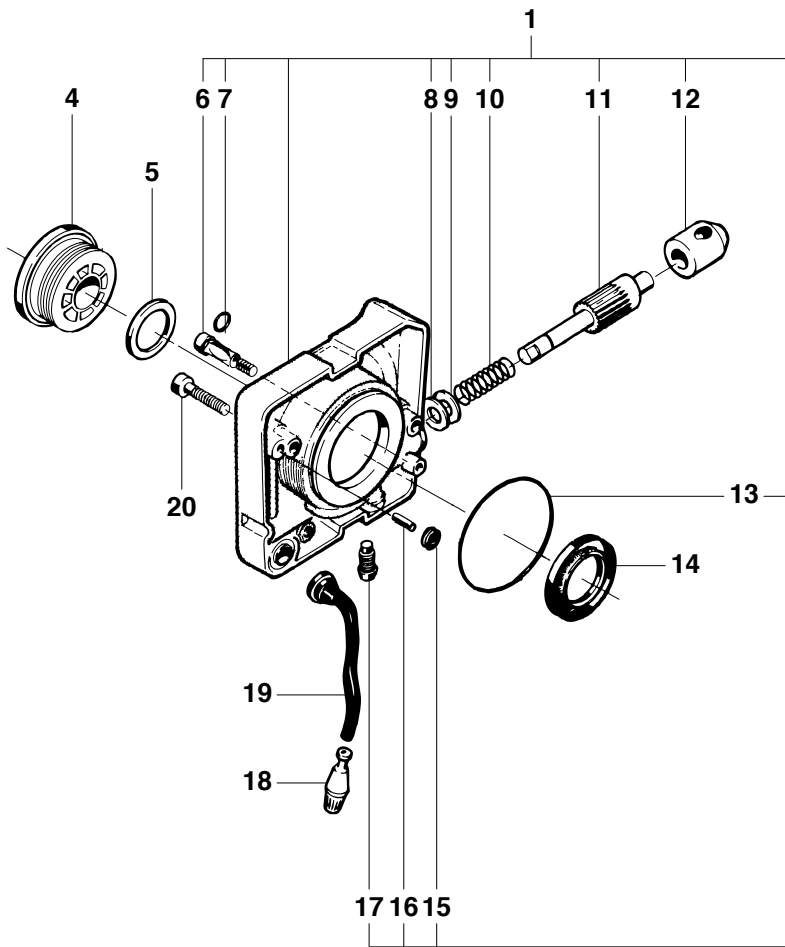
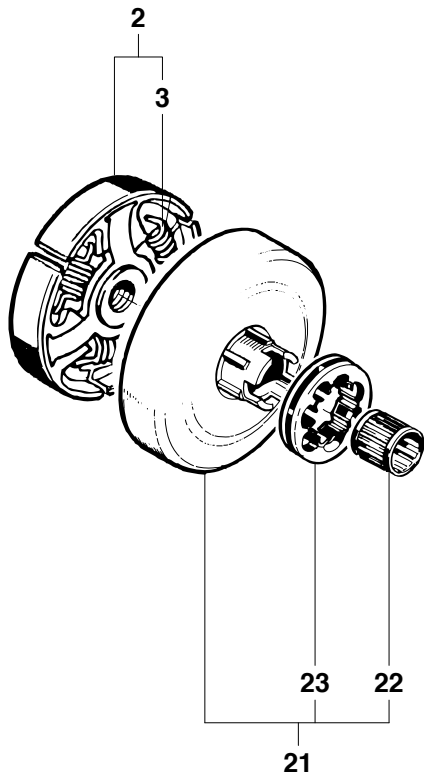
**A** 281  
CHAIN BREAK & CLUTCH COVER



## CHAIN BREAK &amp; CLUTCH COVER

Position	Article	Quantity	Notes	Kit
1	503 74 67-02	1		
2	503 76 08-01	1		1
3	503 80 27-01	1		1, 2
4	735 31 08-20	1		1, 2
5	503 57 97-01	1		1, 2
6	720 12 33-51	1		1
7	503 21 28-10	1		1
8	501 87 53-01	1		1
9	503 70 99-01	1		1
10	503 70 40-02	1		1
12	503 77 54-01	1		
14	503 70 39-01	1		1
15	503 57 37-01	1		1
16	503 21 28-10	4		1
17	503 22 24-01	1		
18	501 51 72-01	1		1
19	501 91 84-01	1		
20	503 60 13-01	1		
21	503 22 00-01	2		
22	725 53 27-55	1		
23	501 87 47-01	1		1
24	503 52 08-01	1		1
25	501 76 80-01	1		1
26	503 20 26-16	1		1

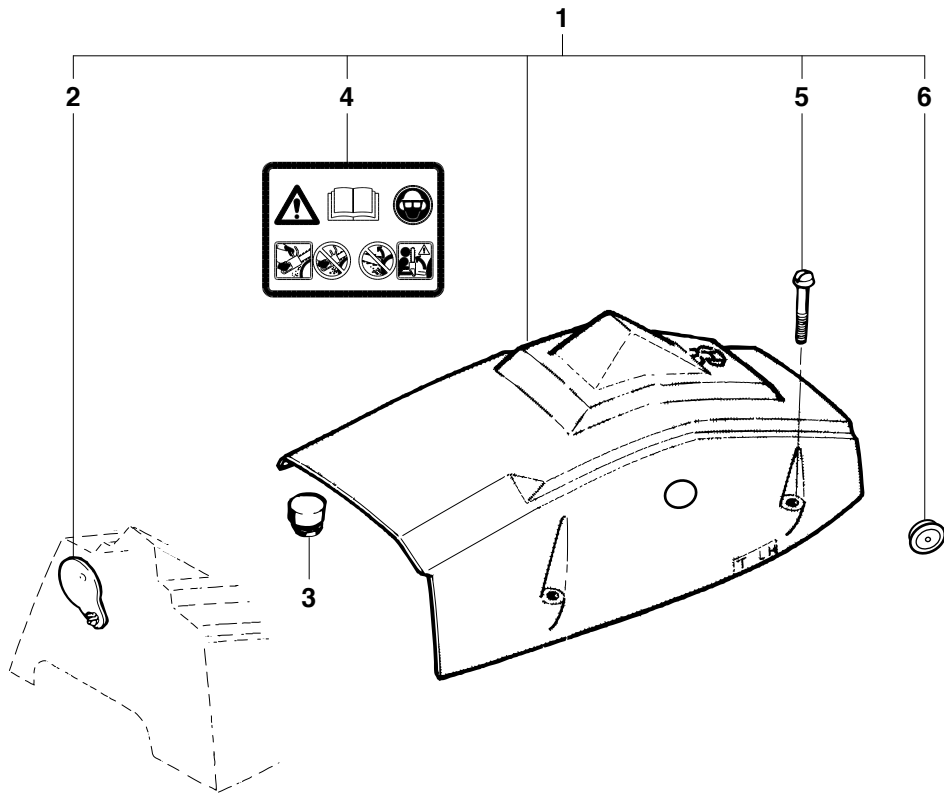
**B** 281  
CLUTCH & OIL PUMP



## CLUTCH &amp; OIL PUMP

Position	Article	Quantity	Notes	Kit
1	503 69 81-01	1		
2	503 70 15-02	1		
3	503 14 51-01	3		2
4	503 55 75-01	1		
5	503 23 00-58	1		
6	501 29 38-01	1		1
7	740 42 01-00	1		1
8	503 23 10-02	1		1
9	503 23 00-19	1		1
10	501 54 48-01	1		1
11	503 69 82-01	1		1
12	501 29 39-02	1		1
13	740 42 24-00	1		1
14	503 26 02-05	1		
15	501 28 85-01	1		1
16	721 42 03-25	1		1
17	501 28 41-01	1		1
18	501 54 41-02	1		
19	501 51 99-01	1		
20	503 20 26-20	3		
21	503 62 59-03	1	3/8"x7	
21	503 62 59-04	1	.404x7	
22	503 25 30-01	1		21
23	501 59 80-02	1	3/8"x7	21
23	501 59 79-02	1	.404x7	21

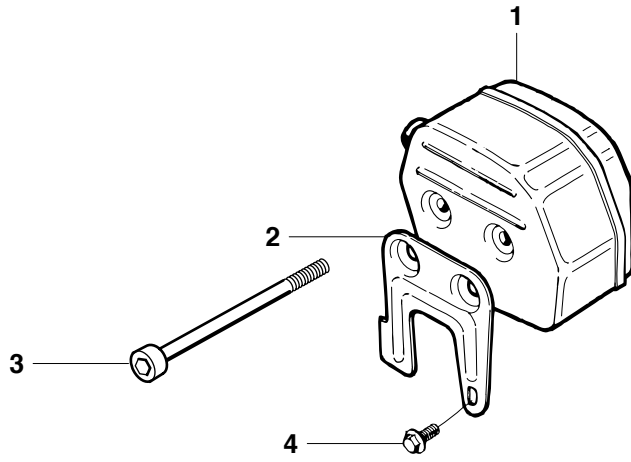
**C** 281  
CYLINDER COVER



CYLINDER COVER

Position	Article	Quantity	Notes	Kit
1	501 80 59-04	1		
2	501 63 97-01	1		1
3	501 51 54-01	1		
4	503 98 74-01	1	HD	1
5	503 20 32-28	3		1
6	501 61 52-01	4	HD	1

**D** 281  
MUFFLER

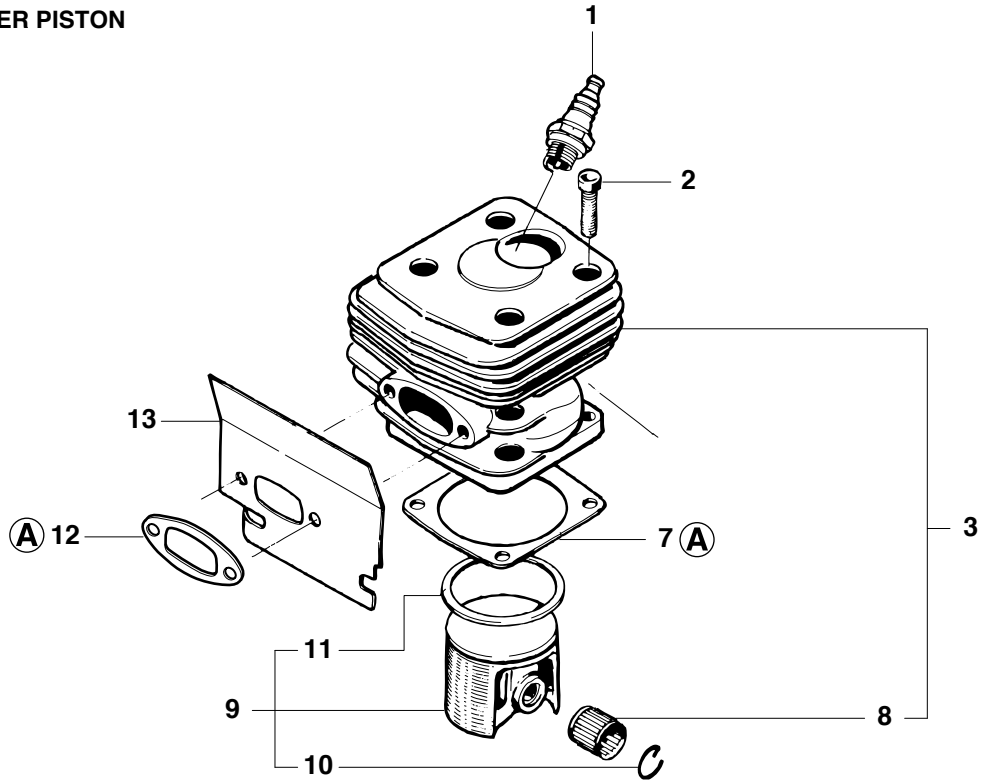




MUFFLER

Position	Article	Quantity	Notes	Kit
1	501 81 68-02	1	DJ	
2	501 81 79-01	1		
3	503 20 38-90	2		
4	503 20 02-16	1		

**E** 281  
CYLINDER PISTON



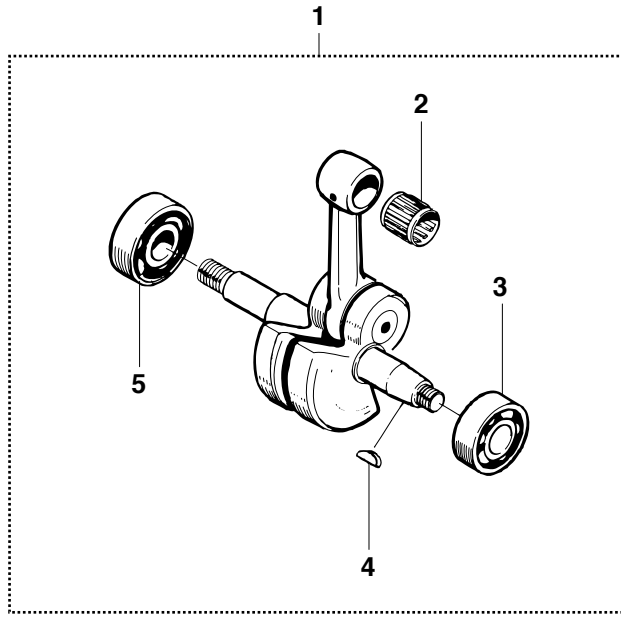
14

**(A)** 501 81 34-03  
Set of gaskets

## CYLINDER PISTON

Position	Article	Quantity	Notes	Kit
1	503 23 51-09	1	RCJ 6 Y	
2	503 21 60-25	4		
3	544 22 30-02	1		
7	501 80 13-02	1		14
8	503 25 61-01	1		3
9	544 22 40-02	1		
10	737 44 13-00	2		9
11	544 22 50-01	1		9
12	501 81 60-03	1		14
13	503 51 25-01	1		
14	501 81 34-03	1	A = Set of gaskets	

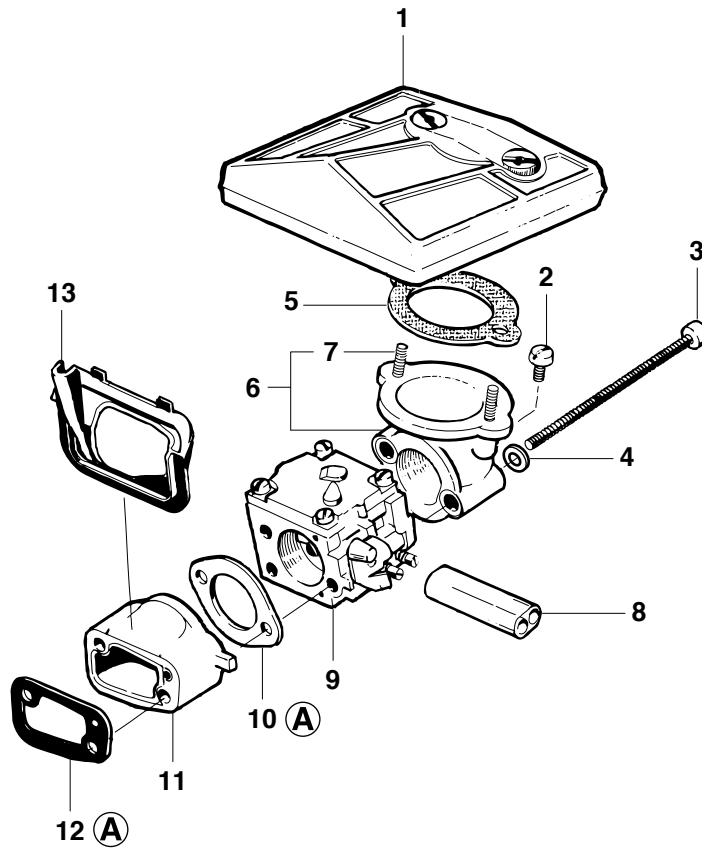
**F** 281  
CRANKSHAFT



CRANKSHAFT

Position	Article	Quantity	Notes	Kit
1	501 81 49-01	1		
2	503 25 61-01	1		1
3	738 22 03-25	1		1
4	735 88 06-00	1		1
5	738 22 03-25	1		1

**G** 281  
CARBURETOR & AIR FILTER

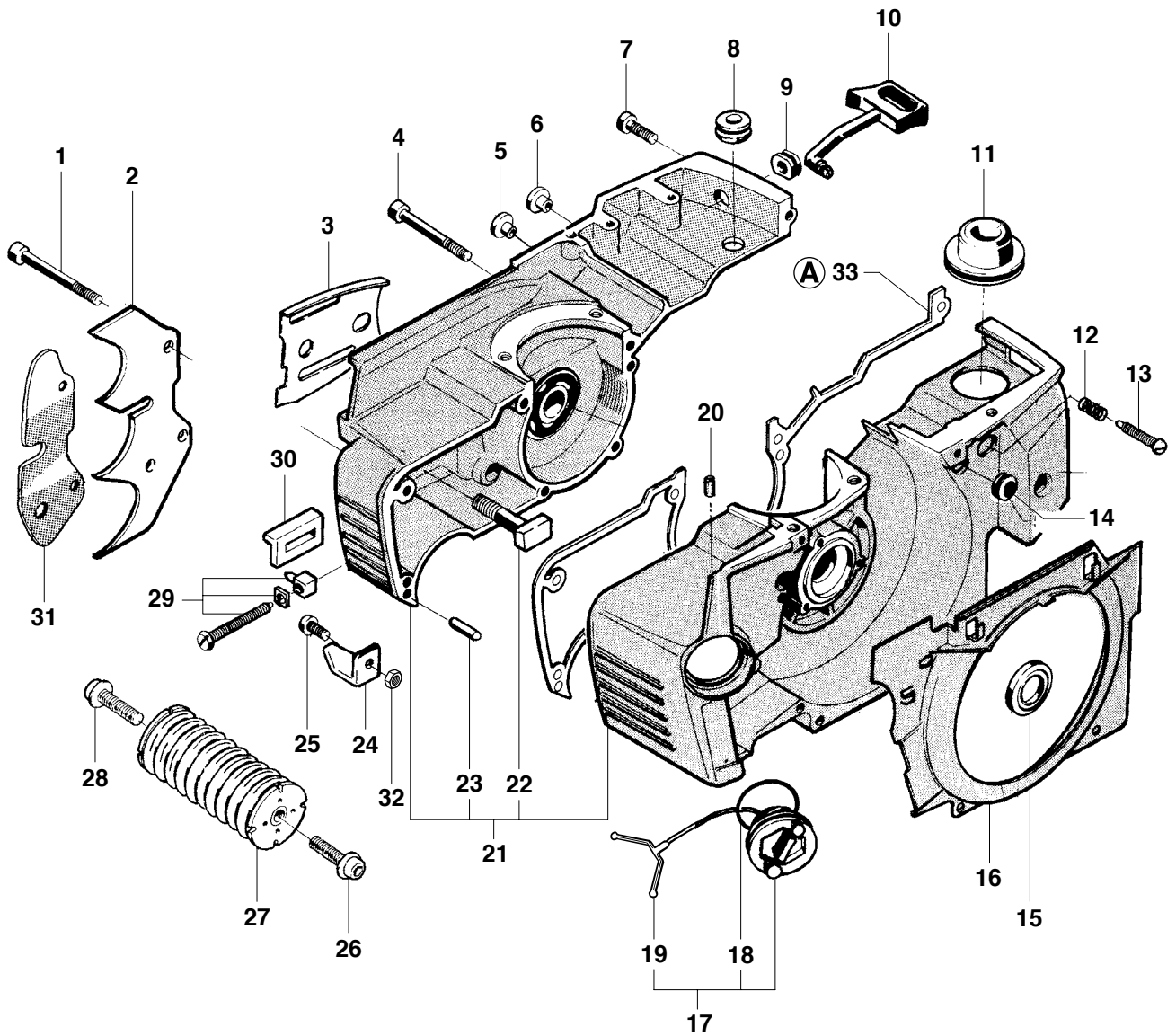


14

Ⓐ 501 81 34-03  
Set of gaskets

Position	Article	Quantity	Notes	Kit
1	501 80 71-01	1	80 $\mu$	
1	501 80 71-06	1	44 $\mu$	
1	501 80 71-05	1	FELT	
2	503 20 02-10	1		
3	503 20 21-91	2		
4	735 11 46-50	2		
5	501 81 56-01	1		
6	501 80 62-02	1		
7	503 20 80-06	2		6
8	501 80 69-01	1		
9	501 35 53-01	1	WJ 117	
10	501 29 64-02	1		14
11	501 80 66-02	1		
12	501 80 68-02	1		14
13	501 81 18-01	1		
14	501 81 34-03	1	A = Set of gaskets	

**H** 281  
CRANKCASE



33

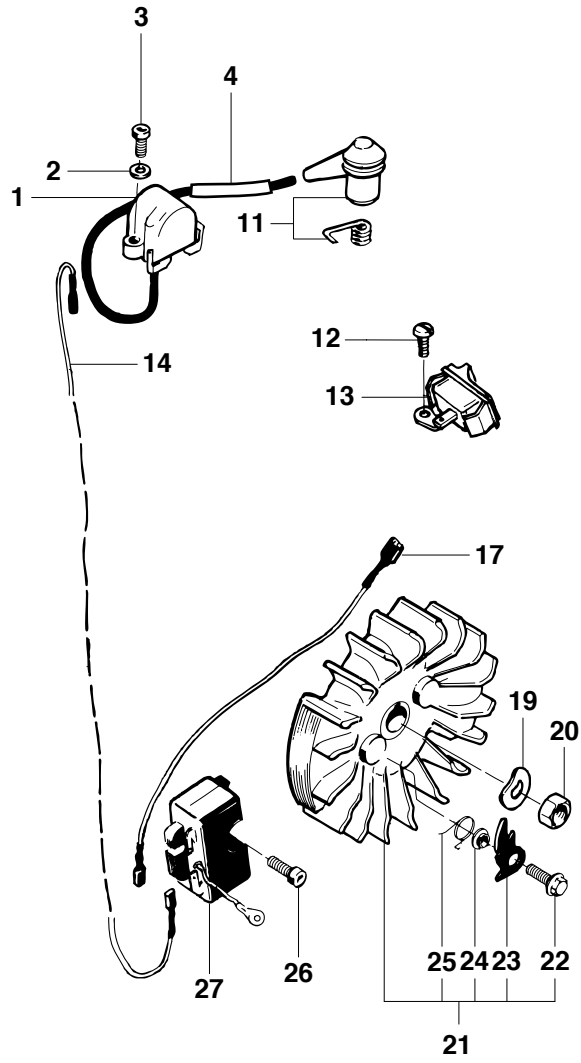
**A** 501 81 34-03  
Set of gaskets



## CRANKCASE

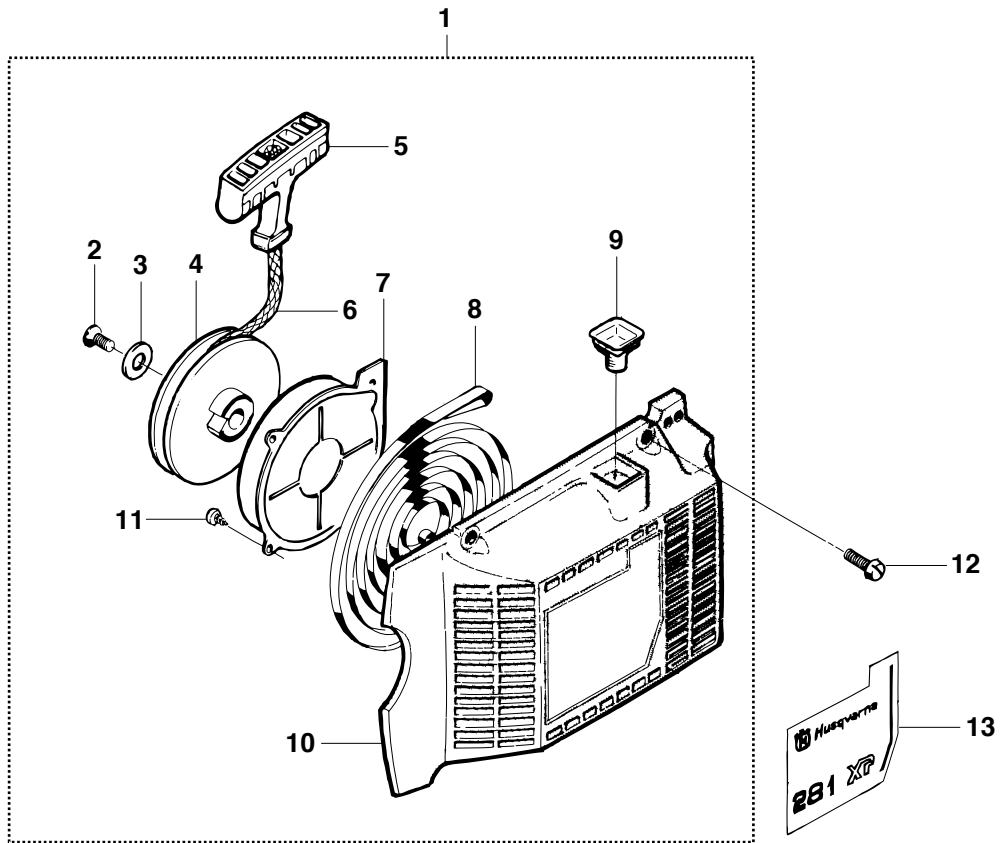
Position	Article	Quantity	Notes	Kit
1	725 53 42-55	2		
2	501 91 81-01	1		
3	501 81 48-01	1		
4	725 53 37-55	4		
5	503 72 31-01	1		
6	503 27 90-04	1		
7	725 53 29-55	1		
8	503 69 76-01	1		
9	501 52 78-01	1		
10	501 52 79-02	1		
11	501 91 67-01	1		
12	501 29 66-01	1		
13	501 29 65-01	1		
14	501 27 13-02	1		
15	503 26 02-05	1		
16	501 80 19-02	1		
17	501 81 96-02	1		
18	503 26 30-17	1		17
19	503 57 89-01	1		17
20	501 83 94-01	1		
21	501 80 03-71	1		
22	501 81 57-01	2		21
23	501 27 08-01	2		21
24	501 68 68-01	1		
25	725 53 29-55	2		
26	503 21 05-22	1		
27	503 49 62-01	1		
28	503 21 05-22	1		
29	501 53 71-01	1		
30	501 51 72-01	1		
31	503 60 12-01	1		
32	503 22 65-04	2		
33	501 81 34-03	1	A = Set of gaskets	

**J** 281  
IGNITION SYSTEM



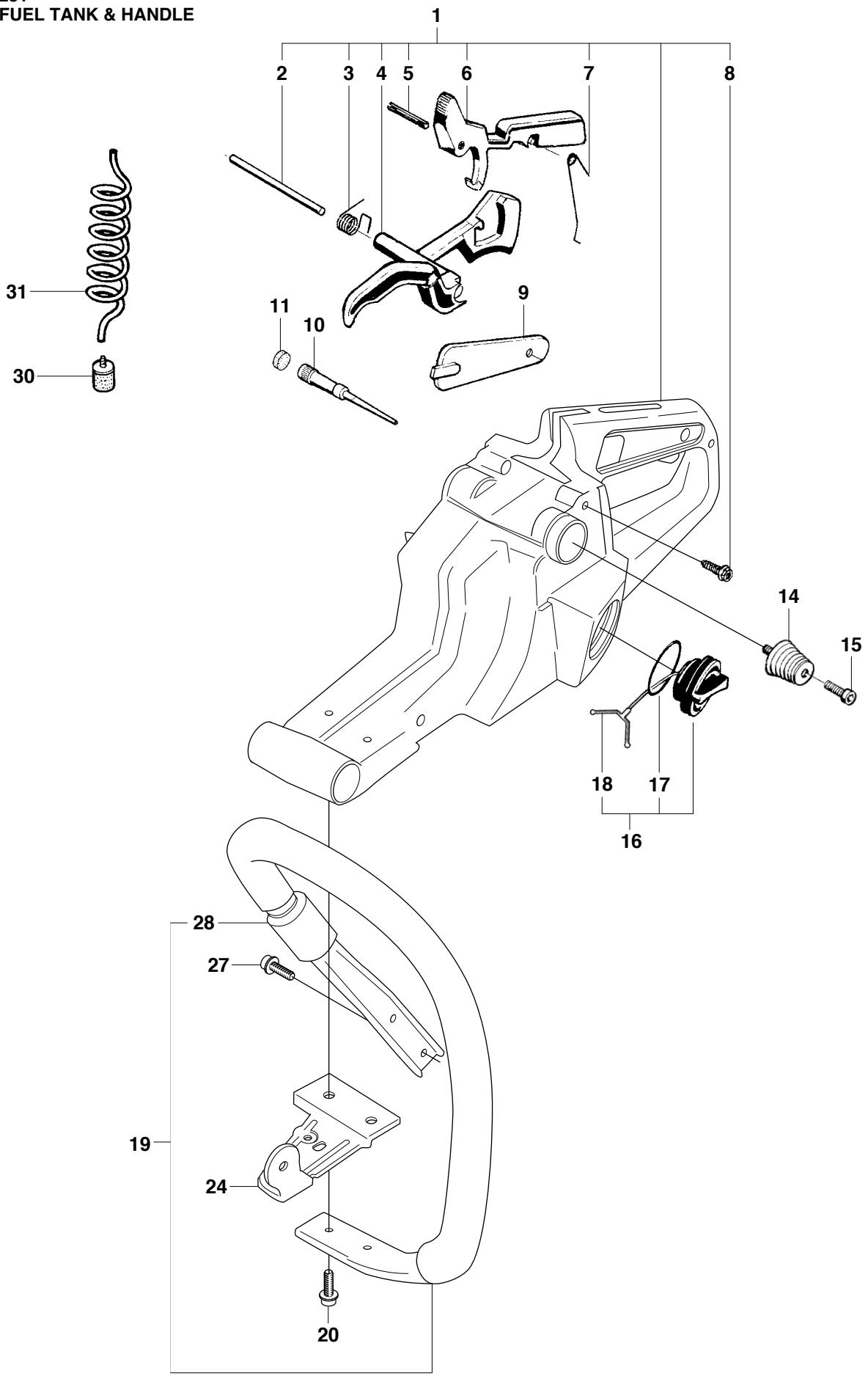
Position	Article	Quantity	Notes	Kit
1	501 81 28-01	1		
2	503 23 00-01	2		
3	725 52 93-56	2		
4	501 52 74-01	1		
11	501 48 54-02	1		
12	503 21 28-06	1		
13	503 71 79-01	1		
14	501 83 97-02	1		
17	501 83 98-03	1		
19	735 11 73-50	1		
20	503 22 10-02	1		
21	504 70 16-01	1		
22	501 81 99-01	2		21
23	501 67 32-01	2		21
24	503 23 00-42	2		21
25	501 67 35-01	2		21
26	725 53 29-56	2		
27	501 81 27-02	1		

**K** 281  
STARTER



Position	Article	Quantity	Notes	Kit
1	501 81 00-06	1		
2	503 20 03-12	1		1
3	503 23 43-02	1		1
4	503 48 48-01	1		1
5	503 54 39-01	1		1
6	501 20 15-02	1		1
7	501 52 95-02	1		1
8	501 52 04-02	1		1
9	501 63 06-01	1		1
10	501 81 01-05	1		1
11	503 21 28-06	2		1
12	724 13 29-55	4		
13	503 70 98-01	1		

**L** 281  
FUEL TANK & HANDLE



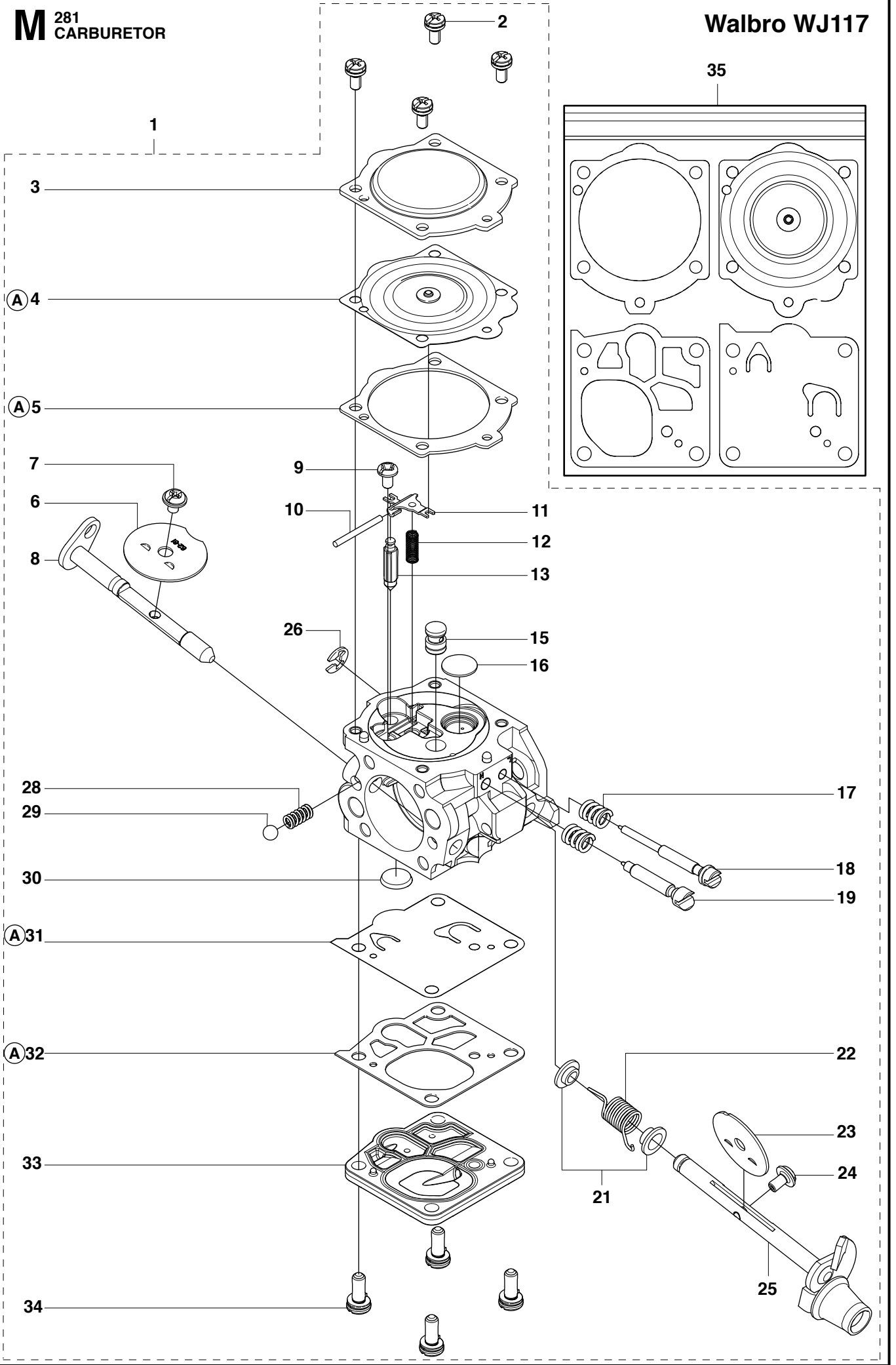
## FUEL TANK &amp; HANDLE

Position	Article	Quantity	Notes	Kit
1	501 80 91-05	1		
2	501 51 97-01	1		1
3	501 52 88-01	1		1
4	501 91 66-02	1		1
5	721 42 12-26	1		1
6	501 81 75-02	1		1
7	503 78 63-01	1		1
8	503 21 06-16	1		1
9	503 48 45-01	2		
10	501 87 25-01	1		
11	503 60 04-01	1		
14	503 51 48-01	4		
15	725 53 29-55	4		
16	501 81 96-02	1		
17	503 26 30-17	1		16
18	503 57 89-01	1		16
19	501 80 75-05	1		
20	503 21 05-22	2		
24	501 91 70-01	1		
27	503 21 05-22	2		
28	501 91 89-02	1		19
30	503 51 71-01	1		
31	544 32 50-01	1		

# M 281 CARBURETOR

## Walbro WJ117

35



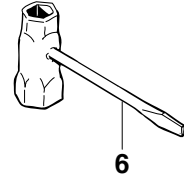
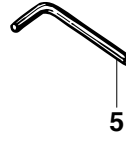
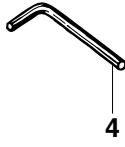
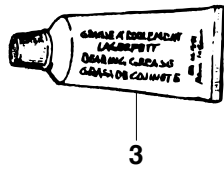
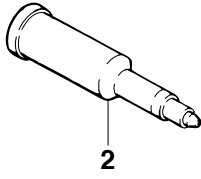


## CARBURETOR

Position	Article	Quantity	Notes	Kit
1	501 35 53-01	1	Walbro WJ 117	
2	503 58 46-01	4		1
3	505 31 67-02	1		1
4	503 63 58-01	1		1, 35
5	501 46 75-01	1		1, 35
6	505 31 67-07	1		1
7	544 11 15-01	1		1
8	574 87 11-01	1		1
9	505 31 67-17	1		1
10	505 31 67-31	1		1
11	505 31 67-34	1		1
12	574 87 13-01	1		1
13	503 56 34-01	1		1
15	574 87 12-01	1		1
16	503 57 41-01	1		1
17	504 21 00-50	2		1
18	574 87 16-01	1	L	1
19	503 48 36-01	1	H	1
21	502 10 31-01	2		1
22	574 87 15-01	1		1
23	503 11 68-01	1		1
24	544 11 15-01	1		1
25	574 87 10-01	1		1
26	505 31 67-36	1		1
28	503 11 77-01	1		1
29	503 11 71-01	1		1
30	501 66 61-01	1		1
31	544 89 72-01	1		1, 35
32	503 11 72-01	1		1, 35
33	503 59 58-01	1		1
34	503 11 75-01	4		1
35	502 52 92-01	1	Set of Gaskets	

**N** 281  
ACCESSORIES

1



ACCESSORIES

Position	Article	Quantity	Notes	Kit
1	503 55 85-01	1		
2	501 91 14-01	1		1
3	503 62 12-01	1		1
4	503 55 86-01	1	NV4	1
5	503 55 86-02	1	NV5	1
6	501 69 17-01	1		1