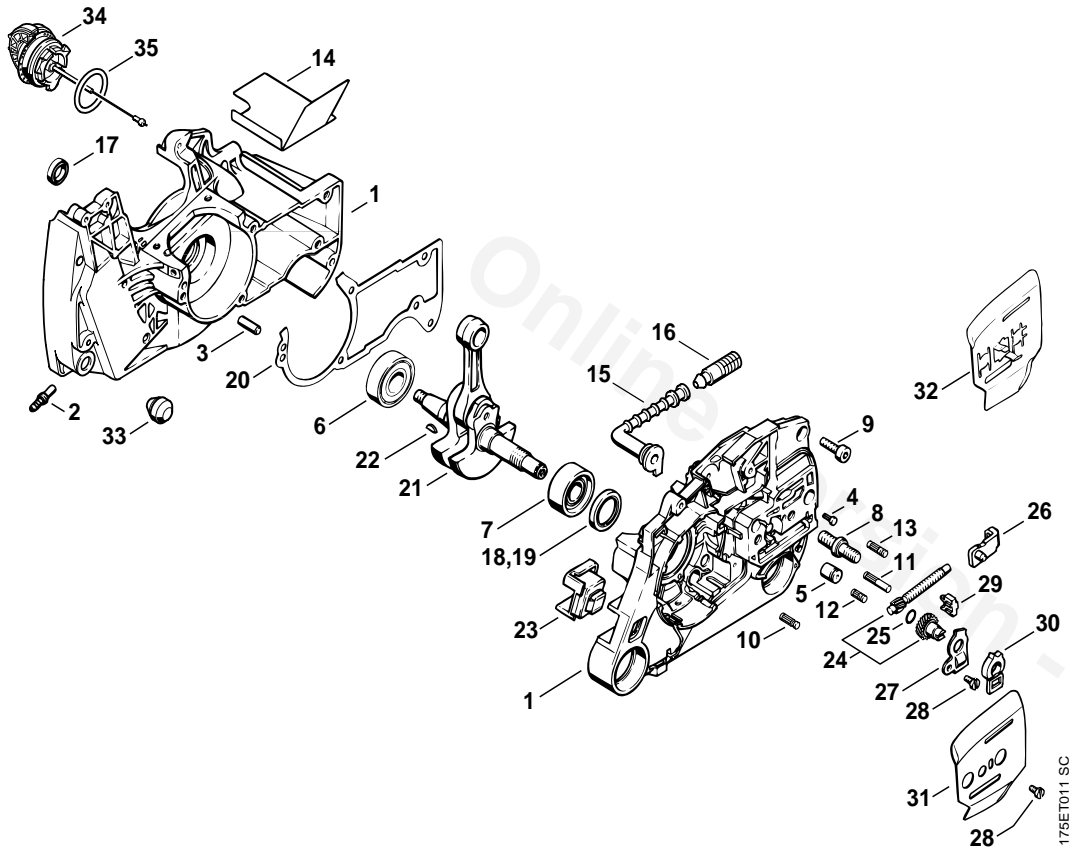
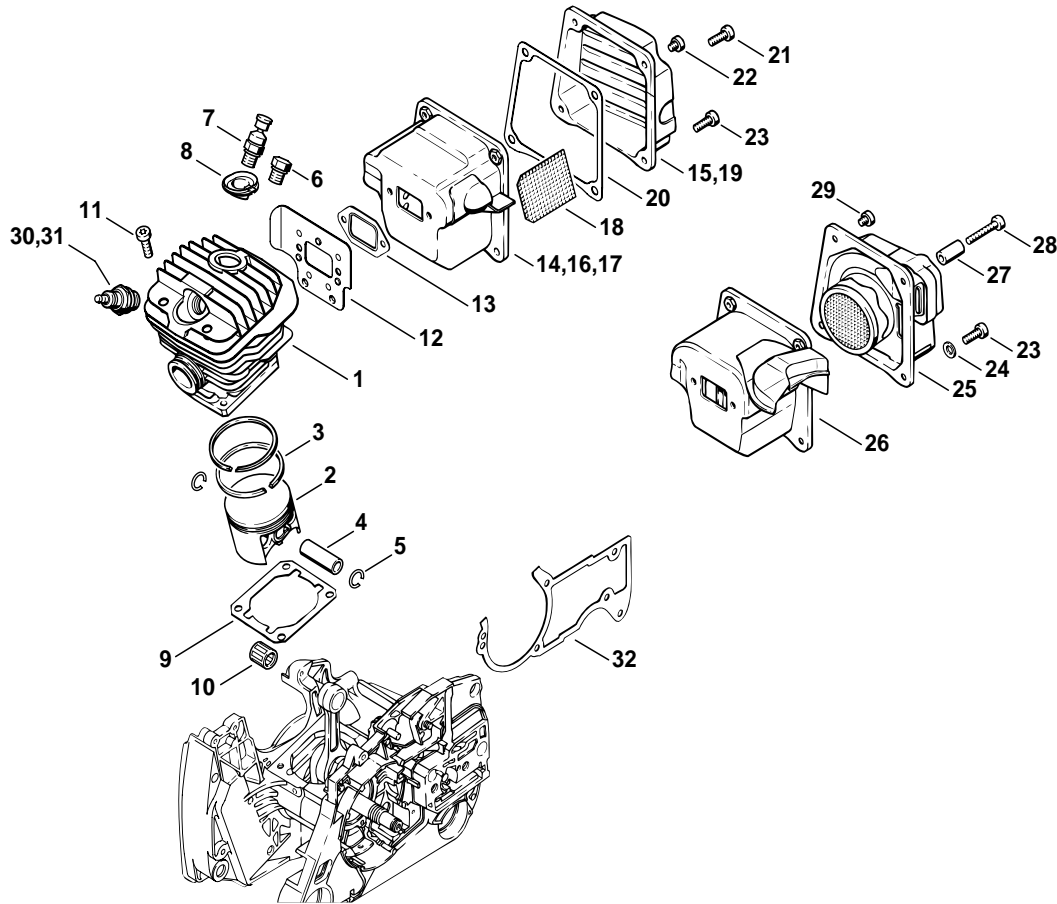

MS 440 (1128)

| | | |
|---|---|----|
| A | Crankcase, Crankshaft | 2 |
| B | Cylinder | 3 |
| C | Oil pump, Clutch | 4 |
| D | Chain brake, Chain sprocket cover | 5 |
| E | Ignition system | 6 |
| F | Rewind starter | 7 |
| G | Tank housing | 8 |
| H | AV system | 9 |
| J | Carburetor HD-15B, HD-17A | 10 |
| J | Carburetor HD-15B, HD-17A | 11 |
| K | Shroud, Air filter | 12 |
| L | Handlebar, Heating element | 13 |
| M | Tools, Extras | 14 |
| N | Conversion kit rescue saw not for USA | 15 |



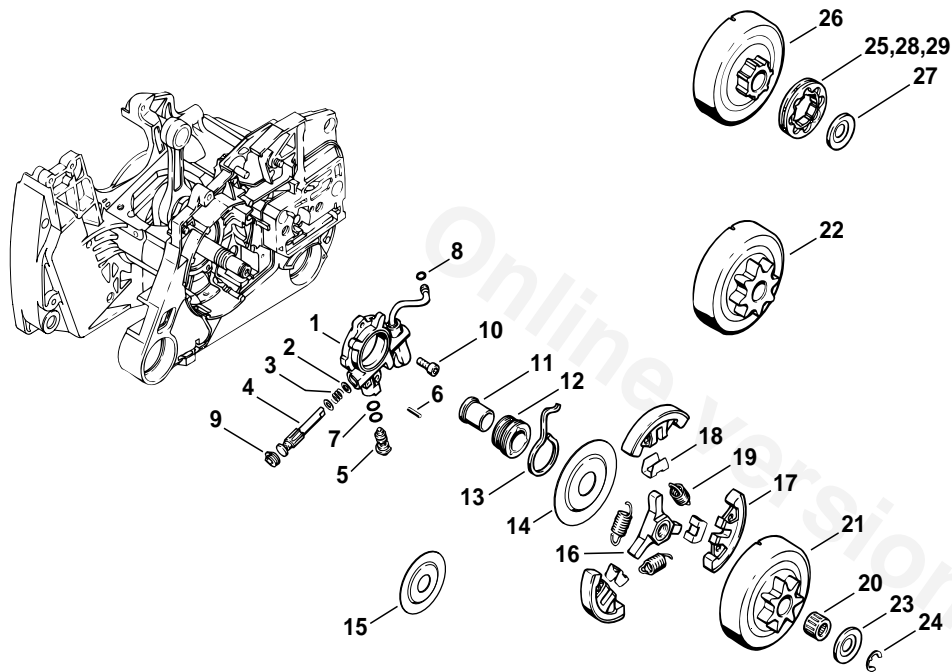
| Ref. ID | Part Number | Qty. | Part Name |
|---------|---------------|------|---|
| 1 | 1128 020 2122 | 1 | Crankcase □ 2 - 14, 33, 34 |
| 2 | 0000 988 5211 | 1 | Connector |
| 3 | 9371 470 2610 | 2 | Cylindrical pin 5x18 |
| 4 | 0000 974 1200 | 1 | Notched pin 2.6x8 |
| 5 | 1128 640 9100 | 1 | Valve |
| 6 | 9503 003 0346 | 1 | Grooved ball bearing 6202 |
| 7 | 9523 003 4275 | 1 | Grooved ball bearing 15x35x13 |
| 8 | 0000 953 6605 | 2 | Collar screw M8 |
| 9 | 9022 371 1020 | 5 | Spline screw IS M5x20 |
| 10 | 1120 162 5200 | 1 | Pin |
| 11 | 1121 162 5205 | 1 | Pin |
| 12 | 1128 162 5200 | 1 | Pin |
| 13 | 1121 162 5200 | 1 | Pin |
| 14 | 1128 084 8302 | 1 | Reflector foil |
| 15 | 1128 647 9405 | 1 | Hose |
| 16 | 1117 640 3800 | 1 | Pickup body |
| 17 | 9640 003 1320 | 1 | Oil seal 13x19x4 |
| 18 | 9640 003 1972 | 1 | Oil seal 18x29.6x5/3 |
| 19 | 9640 951 1972 | 1 | Oil seal 18x29.6x5/3 Cat. |
| 20 | 1128 029 0500 | 1 | Gasket |
| 21 | 1128 030 0406 | 1 | Crankshaft □ 22 |
| 22 | 1120 036 8500 | 1 | Woodruff key 2x3.7 |
| 23 | 1124 791 2800 | 1 | Stop buffer |
| 24 | 1125 007 1021 | 1 | Spur gear / chain adjusting screw kit □ 25 |
| 25 | 9646 945 0490 | 1 | O-ring 7x1.5 |
| 26 | 1125 640 1900 | 1 | Tensioner slide |
| 27 | 1122 664 2200 | 1 | Cover plate |
| 28 | 9041 216 0630 | 2 | Pan head screw M4x8 |
| 29 | 1125 664 1400 | 1 | Thrust pad |
| 30 | 1122 664 4500 | 1 | Support |
| 31 | 1128 664 1001 | 1 | Inner side plate |
| 32 | 1128 664 1002 | 1 | Inner side plate (B) |
| 33 | 1125 791 2810 | 1 | Stop buffer |
| 34 | 0000 350 0525 | 1 | Filler cap □ 35 |
| 35 | 9645 948 7734 | 1 | O-ring 25x3.5 |
| | 1128 007 1050 | 1 | Set of gaskets □ 14, 17, 19, 20 |



175ET015 SC

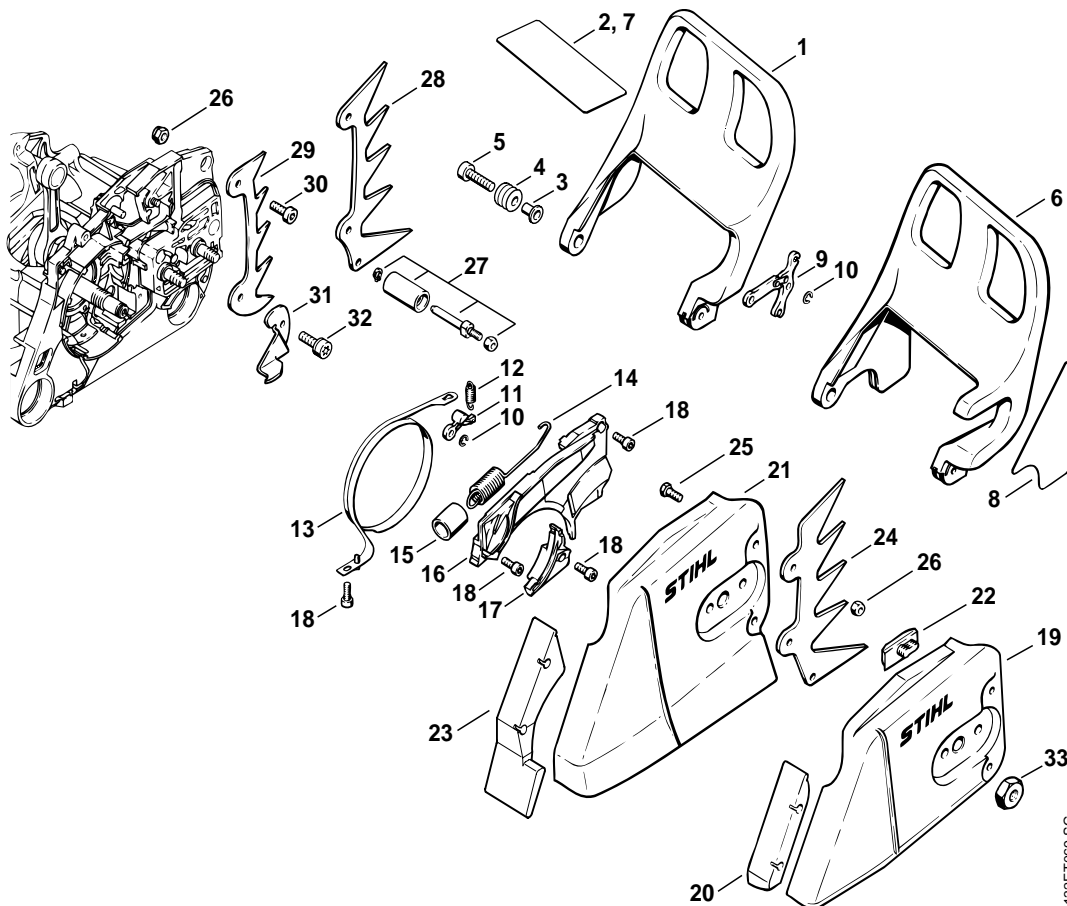
| Ref. ID | Part Number | Qty. | Part Name |
|---------|---------------|------|--|
| 1 | 1128 020 1227 | 1 | Cylinder with piston Ø 50mm □ 2 - 6 |
| 2 | 1128 030 2015 | 1 | Piston Ø 50mm □ 3 - 5 |
| 3 | 1128 034 3000 | 2 | Piston ring Ø 50x1.2mm |
| 4 | 1128 034 1501 | 1 | Piston pin 12x8x35 |
| 5 | 9463 650 1200 | 2 | Snap ring 12x1 |
| 6 | 1122 025 2200 | 1 | Plug |
| 7 | 1128 020 9400 | 1 | Decompression valve |
| 8 | 1122 084 1405 | 1 | Cover |
| 9 | 1128 029 2301 | 1 | Cylinder gasket 0.5mm |
| 10 | 9512 003 3061 | 1 | Needle cage 12x15x15 |
| 11 | 9022 371 1020 | 4 | Spline screw IS M5x20 |
| 12 | 1128 141 3201 | 1 | Cooling plate |
| 13 | 1125 149 0601 | 1 | Exhaust gasket |
| 14 | 1128 140 0600 | 1 | Muffler (1,2,6) □ 15 |
| 15 | 1128 145 0803 | 1 | Exhaust casing (1,2,6) |
| 16 | 1128 140 0607 | 1 | Muffler AUS, NZ □ 18, 19 |
| 17 | 1128 140 0604 | 1 | Muffler (4,5,6) □ 18, 19 |
| 18 | 1118 141 9006 | 1 | Screen USA, CDN, AUS, NZ |
| 19 | 1128 145 0804 | 1 | Exhaust casing USA, CDN, AUS, NZ |
| 20 | 1128 149 0500 | 1 | Gasket (4,5,6) |
| 21 | 9022 341 0980 | 2 | Spline screw IS M5x16 |
| 22 | 9022 341 0910 | 2 | Spline screw IS M5x6 |
| 23 | 9022 341 1300 | 2 | Spline screw IS M6x20 |
| 24 | 0000 148 6000 | 2 | Tensioning gear (3) |
| 25 | 1128 140 0610 | 1 | Muffler (3) □ 26, 27 |
| 26 | 1128 145 0710 | 1 | Inlet casing (3) |
| 27 | 1128 145 8000 | 1 | Sleeve (3) |
| 28 | 9022 341 1070 | 1 | Spline screw IS M5x30 (3) |
| 29 | 9022 341 0910 | 1 | Spline screw IS M5x6 (3) |
| 30 | 1110 400 7005 | 1 | Spark plug Bosch WSR 6 F |
| 31 | 0000 400 7000 | 1 | Spark plug NGK BPMR7A |
| 32 | 1128 029 0500 | 1 | Gasket |
| | 1128 007 1050 | 1 | Set of gaskets □ 9, 13, 32 |

(1) MS 440, (2) MS 440 W, (3) MS 440 C,
(4) MS 440 Magnum, (5) MS 440 Magnum R,
(6) MS 440 WVH



175ET013.SC

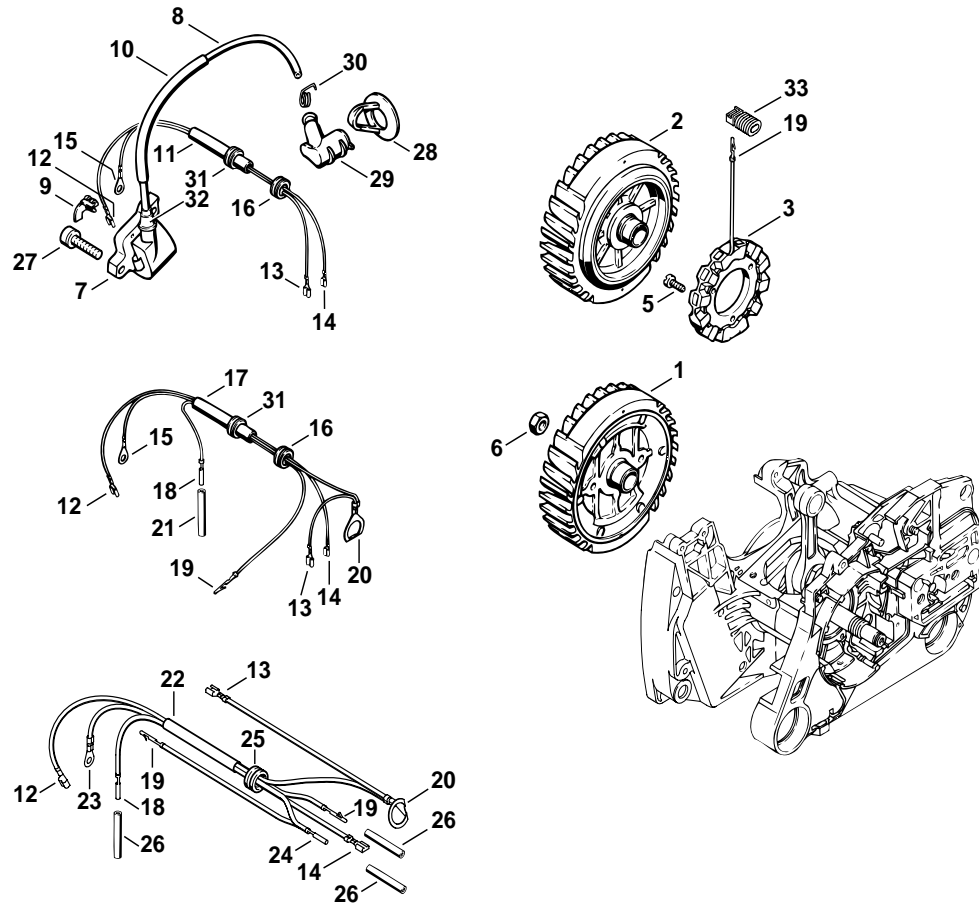
| Ref. ID | Part Number | Qty. | Part Name |
|---------|---------------|------|--|
| 1 | 1128 640 3205 | 1 | Oil pump □ 2 - 9 |
| 2 | 0000 958 0518 | 2 | Washer |
| 3 | 0000 997 0615 | 1 | Compression spring |
| 4 | 1128 647 0605 | 1 | Pump piston |
| 5 | 1128 647 4806 | 1 | Control bolt |
| 6 | 9380 620 1090 | 1 | Roll pin 2x10 |
| 7 | 9646 945 0160 | 2 | O-ring 4x2 |
| 8 | 9646 951 0155 | 1 | O-ring 4x1.5 |
| 9 | 1128 647 7000 | 1 | Plug |
| 10 | 9022 313 0660 | 2 | Spline screw IS M4x12 |
| 11 | 1128 647 6600 | 1 | Bearing spacer |
| 12 | 1128 640 7110 | 1 | Worm □ 13 |
| 13 | 1128 647 2400 | 1 | Spring |
| 14 | 1128 162 1001 | 1 | Cover washer 58mm / 2 5/16" |
| 15 * | 1128 162 1000 | 1 | Cover washer 43mm / 1 3/4" (37.2001) |
| | 1128 160 2001 | 1 | Clutch □ 16 - 19 |
| 16 | 1128 162 3202 | 1 | Carrier |
| 17 | 1128 162 0806 | 3 | Clutch shoe |
| 18 | 1128 162 3000 | 3 | Retainer |
| 19 | 0000 997 5815 | 3 | Tension spring |
| 20 | 9512 933 2380 | 1 | Needle cage 10x16x12 |
| 21 | 1128 640 2000 | 1 | Chain sprocket 3/8" 7T |
| 22 | 1128 640 2005 | 1 | Chain sprocket 3/8" 8T (B) |
| 23 | 0000 958 1021 | 1 | Washer Ø 33mm |
| 24 | 9460 624 0801 | 1 | E-clip 8x1.3 |
| | 1128 007 1000 | 1 | Rim sprocket kit 3/8" 7T □ 24 - 27 |
| 25 | 0000 642 1223 | 1 | Rim sprocket 3/8" 7T |
| 26 | | 1 | Clutch drum (D) |
| 27 | 0000 958 1032 | 1 | Washer Ø 27mm |
| | 1128 007 1001 | 1 | Rim sprocket kit 3/8" 8T (B) □ 24, 26 - 28 |
| 28 | 0000 642 1216 | 1 | Rim sprocket 3/8" 8T (B) |
| | 1128 007 1011 | 1 | Rim sprocket kit 0.325" 9T (B) □ 24, 26, 27, 29 |
| 29 | 0000 642 1239 | 1 | Rim sprocket 0.325" 9T (B) |



132ET1069 SC

| Ref. ID | Part Number | Qty. | Part Name |
|---------|---------------|------|--|
| 1 | 1128 790 9150 | 1 | Hand guard (1,2,4,5,6) □ 2 - 5 |
| 2 | 1124 084 8300 | 1 | Reflector foil (1,2,4,5,6) |
| 3 | 1124 792 5500 | 1 | Bushing |
| 4 | 1124 792 5505 | 1 | Bushing |
| 5 | 9022 341 1080 | 1 | Spline screw IS M5x35 |
| 6 | 1128 790 9151 | 1 | Hand guard (3) □ 3 - 5, 7, 8 |
| 7 | 1128 084 8303 | 1 | Reflector foil (3) |
| 8 | 1128 792 0900 | 1 | Reflector foil (3) |
| 9 | 1128 160 5000 | 1 | Lever |
| 10 | 9460 624 0400 | 2 | E-clip 4 |
| 11 | 1121 162 5010 | 1 | Lever |
| 12 | 0000 997 0628 | 1 | Spring |
| 13 | 1128 160 5400 | 1 | Brake band |
| 14 | 1128 160 5501 | 1 | Tension spring □ 15 |
| 15 | 1128 162 8000 | 1 | Hose |
| 16 | 1128 021 1101 | 1 | Cover |
| 17 | 1128 021 1105 | 1 | Cover |
| 18 | 9022 313 0660 | 4 | Spline screw IS M4x12 |
| 19 | 1125 640 1701 | 1 | Chain sprocket cover (1,2,3,4,6) □ 20, 22 |
| 20 | 1125 656 1501 | 1 | Guard (1,2,3,4,6) |
| | 1122 007 1019 | 1 | Chain sprocket cover kit (5) □ 21 - 28 |
| 21 | 1122 648 0401 | 1 | Chain sprocket cover (5) |
| 22 | 1121 648 6610 | 2 | Bumper strip |
| 23 | 1122 656 1510 | 1 | Guard (5) |
| 24 | 1122 664 0501 | 1 | Bumper spike (5) |
| 25 | 9008 319 0960 | 2 | Hexagon head screw M5x12 (5) |
| 26 | 9214 320 0700 | 3 | Lock nut M5 (5) |
| 27 | 1122 650 7700 | 1 | Chain catcher (5) |
| 28 | 1122 664 0506 | 1 | Bumper spike (5) |
| 29 | 1128 664 0500 | 1 | Bumper spike (1,2,3,4,6) |
| 30 | 9022 341 0960 | 1 | Spline screw IS M5x12 |
| 31 | 1122 656 7700 | 1 | Chain catcher (1,2,3,4,6) |
| 32 | 9022 341 1019 | 1 | Spline screw IS M5x20 (1,2,3,4,6) |
| 33 | 0000 955 0801 | 2 | Collar nut M8 |

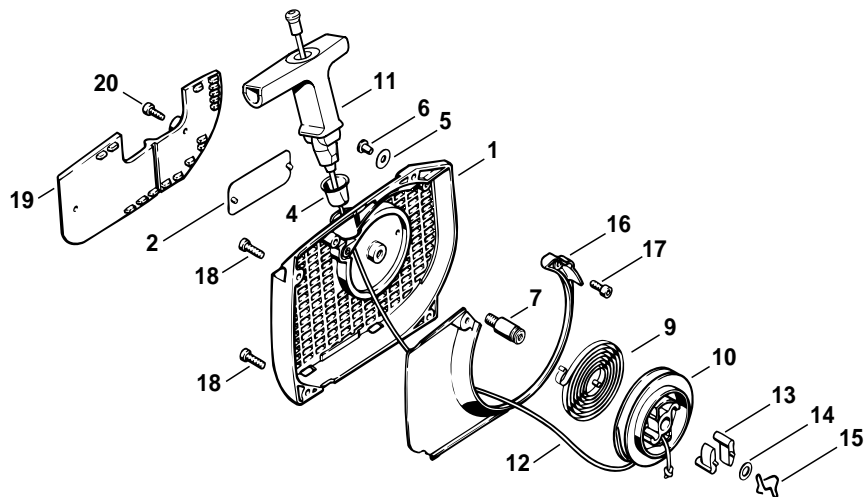
(1) MS 440, (2) MS 440 W, (3) MS 440 C,
(4) MS 440 Magnum, (5) MS 440 Magnum R,
(6) MS 440 WVH



175ET002 SC

| Ref. ID | Part Number | Qty. | Part Name |
|---------|---------------|------|---|
| 1 | 1128 400 1214 | 1 | Flywheel (1,3,4,5) |
| 2 | 1128 400 1215 | 1 | Flywheel (2,6) |
| 3 | 1118 400 4000 | 1 | Generator (2,6) □ 19 |
| 5 | 9041 216 0540 | 3 | Pan head screw M3.5x12 (2,6) |
| 6 | 0000 955 0802 | 1 | Collar nut M8x1 |
| 7 | 0000 400 1300 | 1 | Ignition module □ 8, 9, 32 |
| 8 | | 1 | Ignition lead 150mm |
| | 0000 405 0600 | 1 | Ignition lead 1m (B) |
| | 0000 930 2251 | 1 | Ignition lead 10m (B) |
| 9 | 0000 448 1250 | 1 | Lead retainer |
| 10 | 1122 442 0400 | 1 | Insulating hose 100mm / 4" |
| 11 | 1128 440 3002 | 1 | Wiring harness (1,3,4,5) □ 12 - 16 |
| 12 | 0751 030 8957 | 1 | Terminal socket 4.8-1/0.8 |
| 13 | 0751 030 8955 | 1 | Terminal socket 4.8-1/0.4 |
| 14 | 0751 030 8407 | 1 | Terminal socket 2.8-1/0.4 |
| 15 | 0751 030 8969 | 1 | Terminal socket A5-1.5 |
| 16 | 0000 989 0814 | 1 | Grommet |
| 17 | 1128 440 3003 | 1 | Wiring harness (2) □ 12 - 16, 18 - 20 |
| 18 | 1118 431 6700 | 1 | Terminal socket (2,6) |
| 19 | 1118 431 6600 | 2 | Terminal pin (2,6) |
| 20 | 0751 030 8963 | 1 | Terminal socket 12-1 (2,6) |
| 21 | 1121 442 0402 | 1 | Insulating hose 35mm / 1.4" (2) |
| 22 | 1128 440 3012 | 1 | Wiring harness (6) □ 12 - 14, 18 - 20, 23 - 25 |
| 23 | 0751 030 8968 | 1 | Terminal socket 5-2.5 (6) |
| 24 | 0751 030 8373 | 1 | Terminal socket 1-2.5 (6) |
| 25 | 0000 989 0812 | 1 | Grommet (6) |
| 26 | 1121 442 0402 | 3 | Insulating hose 35mm / 1.4" (6) |
| 27 | 9022 341 1019 | 2 | Spline screw IS M5x20 |
| 28 | 1128 084 1400 | 1 | Cover |
| 29 | 1128 405 1000 | 1 | Spark plug boot |
| 30 | 0000 998 0604 | 1 | Torsion spring |
| 31 | 1125 084 8900 | 1 | Grommet |
| 32 | 0000 989 1010 | 1 | Grommet |
| 33 | 1121 405 1900 | 1 | Support (2,6) |

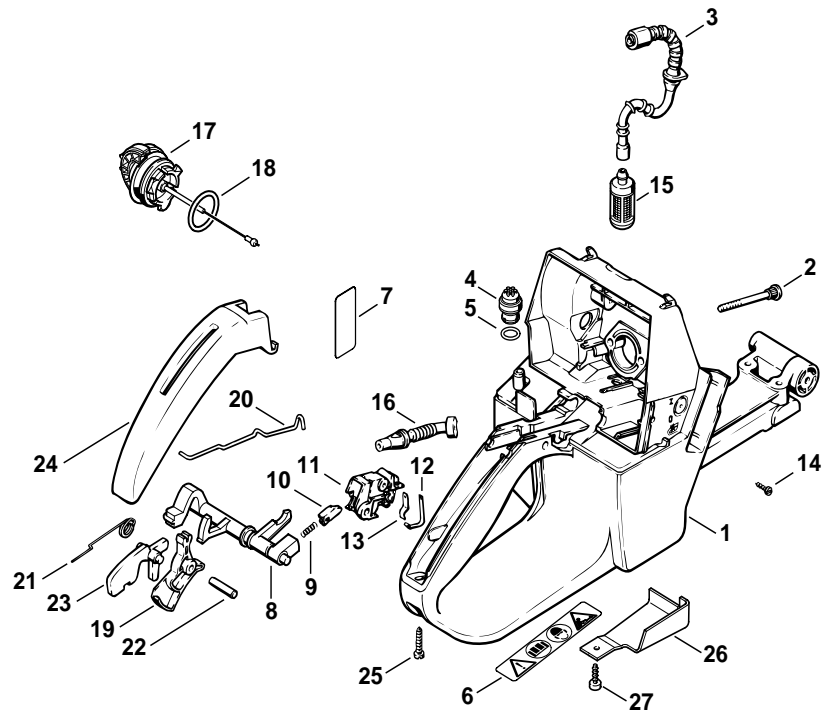
(1) MS 440, (2) MS 440 W, (3) MS 440 C,
(4) MS 440 Magnum, (5) MS 440 Magnum R,
(6) MS 440 WVH



| Ref. ID | Part Number | Qty. | Part Name |
|---------|---------------|------|---|
| | 1128 080 2104 | 1 | Fan housing with rewind starter □ 1 - 17 |
| 1 | 1128 080 1812 | 1 | Fan housing □ 2 - 7 |
| 2 | 0000 967 2035 | 1 | Nameplate |
| 4 | 1110 084 9102 | 1 | Bushing |
| 5 | 0000 958 0607 | 1 | Washer |
| 6 | 9416 868 6530 | 1 | Hollow rivet 6.5x0.5x6.8 |
| 7 | 1128 080 6500 | 1 | Axle □ 14 |
| 9 | 1129 190 0601 | 1 | Rewind spring |
| 10 | 1128 195 0400 | 1 | Rope rotor |
| 11 | 1128 190 3400 | 1 | Starter grip ElastoStart □ 12 |
| 12 | 1128 190 2900 | 1 | Starter rope Ø 3.5mm |
| | 0000 930 2267 | 1 | Starter rope Ø 3.5mm / 28 pieces |
| 13 | 1125 195 7200 | 2 | Pawl |
| 14 | 0000 958 0923 | 1 | Washer |
| 15 | 1128 195 3500 | 1 | Spring |
| 16 | 1128 084 7801 | 1 | Segment |
| 17 | 9022 313 0660 | 2 | Spline screw IS M4x12 |
| 18 | 9022 371 1020 | 3 | Spline screw IS M5x20 |
| 19 | 1128 080 7500 | 1 | Cover plate (B) □ 20 |
| 20 | 9022 313 0660 | 2 | Spline screw IS M4x12 (B) |

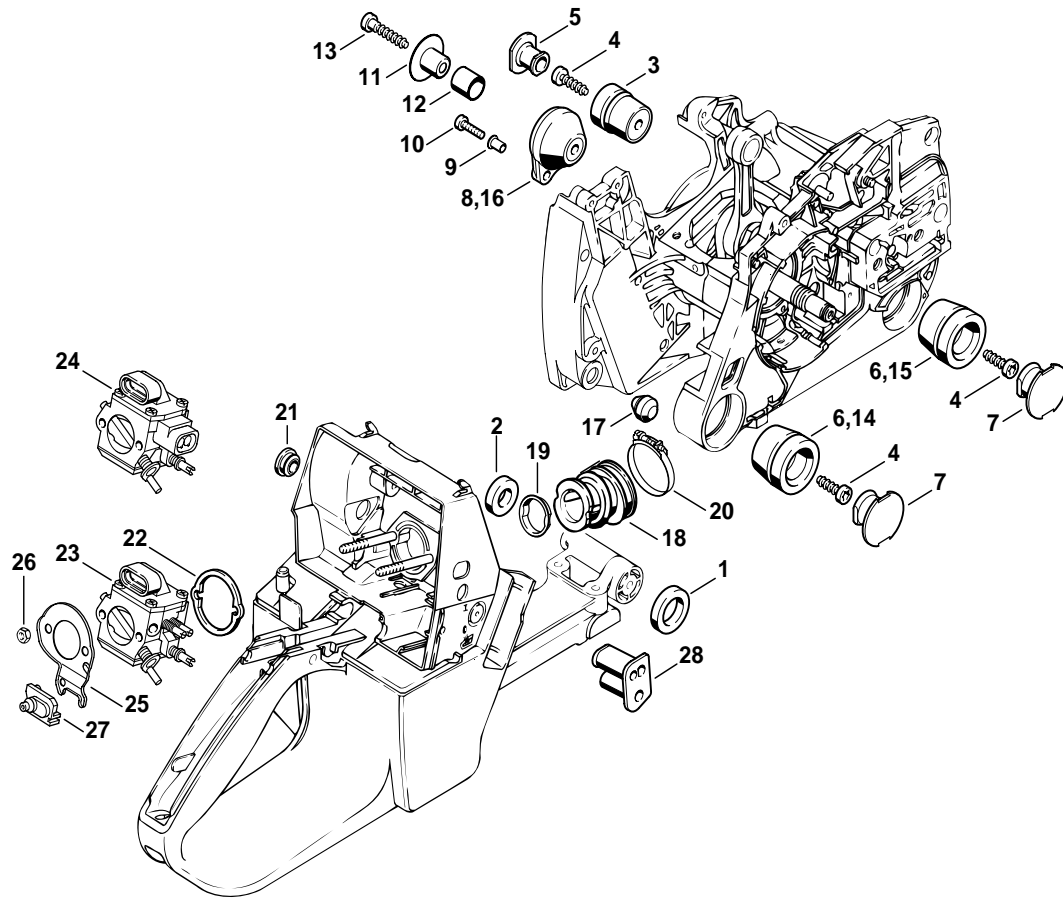
175ET003 SC

not for reprint



| Ref. ID | Part Number | Qty. | Part Name |
|---------|---------------|------|--------------------------------------|
| 1 | 1128 350 0832 | 1 | Tank housing □ 2 - 6, 17 |
| 2 | 1128 122 6606 | 2 | Collar screw |
| 3 | 1128 358 7701 | 1 | Hose |
| 4 | 0000 350 5800 | 1 | Tank vent □ 5 |
| 5 | 9645 948 7512 | 1 | O-ring 10x2 |
| 6 | 0000 967 3662 | 1 | Instruction label |
| 7 | 0000 967 3605 | 1 | Instruction label |
| 8 | 1128 180 0910 | 1 | Switch shaft □ 9, 10 |
| 9 | 0000 997 0227 | 1 | Compression spring |
| 10 | 1128 182 1700 | 1 | Slide control |
| 11 | 1128 180 3501 | 1 | Switch housing □ 12, 13 |
| 12 | 1128 442 1600 | 1 | Contact spring |
| 13 | 1128 442 1601 | 1 | Contact spring |
| 14 | 9099 021 1760 | 1 | Self-tapping screw 2.9x9.5 |
| 15 | 0000 350 3504 | 1 | Pickup body |
| 16 | 1128 141 8600 | 1 | Impulse hose |
| 17 | 0000 350 0525 | 1 | Filler cap □ 18 |
| 18 | 9645 948 7734 | 1 | O-ring 25x3.5 |
| 19 | 1128 182 1005 | 1 | Throttle trigger |
| 20 | 1128 182 1500 | 1 | Throttle rod |
| 21 | 1117 182 4500 | 1 | Torsion spring |
| 22 | 9371 470 2640 | 1 | Cylindrical pin 5x24 |
| 23 | 1117 182 0805 | 1 | Trigger interlock |
| 24 | 1128 791 0600 | 1 | Handle molding |
| 25 | 9074 478 3076 | 1 | Pan head self-tapping screw IS P4x19 |
| 26 | 1128 656 1500 | 1 | Guard USA |
| 27 | 9099 021 2770 | 1 | Self-tapping screw 3.9x13 USA |

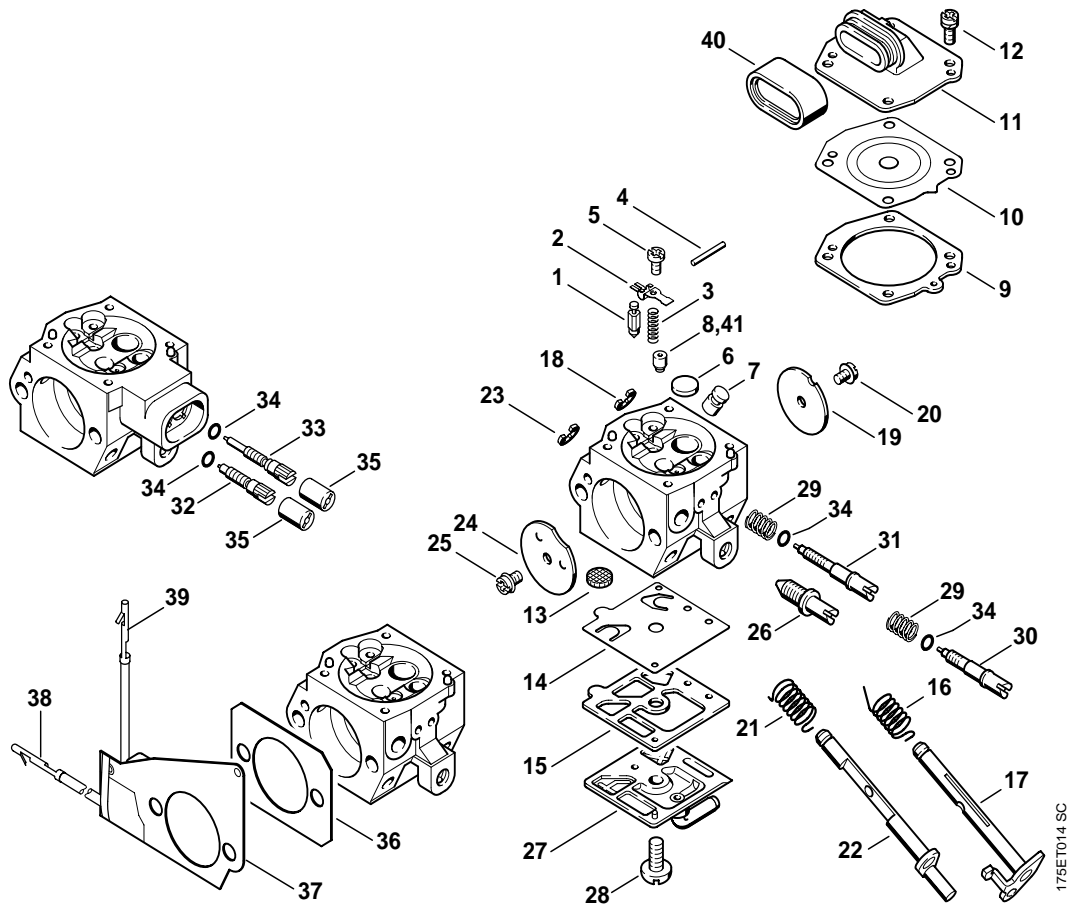
175ET018 SC



175ET016 SC

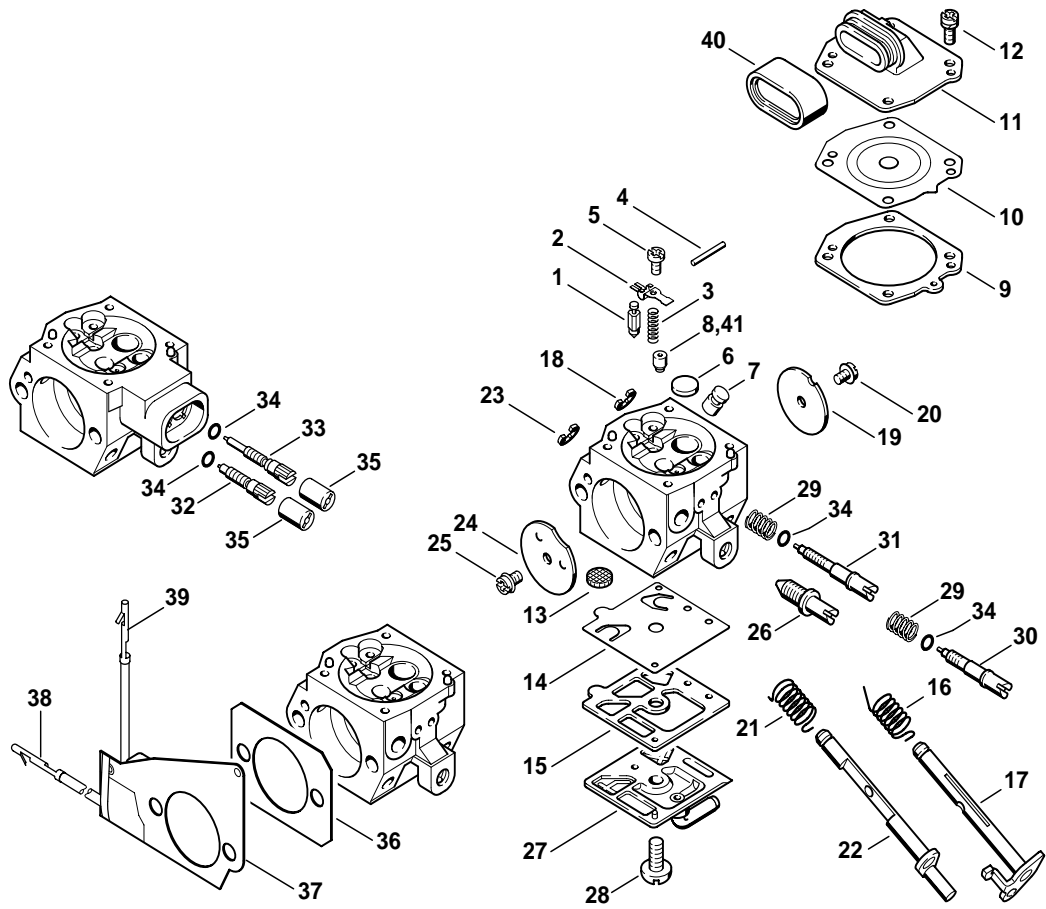
| Ref. ID | Part Number | Qty. | Part Name |
|---------|---------------|------|--|
| 1 | 1128 791 8401 | 1 | Ring |
| 2 | 1128 791 8400 | 1 | Ring |
| 3 | 1122 790 9905 | 1 | Annular buffer 1122/05 |
| 4 | 9074 478 4435 | 3 | Pan head self-tapping screw IS P6x19 |
| 5 | 1122 791 7301 | 1 | Plug |
| 6 | 1121 790 9904 | 2 | Annular buffer (1,2,3,6) |
| 6 | 1125 790 9906 | 2 | Annular buffer 1125/06 (4) |
| 7 | 1125 791 7306 | 2 | Plug |
| 8 | 1128 790 9902 | 1 | Annular buffer (1,2,3,6) □ 9 |
| 8 | 1128 790 9900 | 1 | Annular buffer (4) □ 9 |
| 9 | 9416 868 5630 | 2 | Hollow rivet 5.5x0.5x6.8 |
| 10 | 9022 313 0680 | 2 | Spline screw IS M4x16 |
| 11 | 1128 791 7200 | 1 | Sleeve |
| 12 | 1128 792 8500 | 1 | Hose (1,2,3,6) |
| 13 | 9074 478 4675 | 1 | Pan head self-tapping screw IS P6x32.5 |
| 14 | 1125 790 9910 | 1 | Annular buffer 1125/10 (5) |
| 15 | 1125 790 9904 | 1 | Annular buffer 1125/04 (5) |
| 16 | 1128 790 9905 | 1 | Annular buffer (5) □ 9 |
| 17 | 1125 791 2810 | 1 | Stop buffer |
| 18 | 1128 141 2203 | 1 | Elbow |
| 19 | 1117 141 1800 | 1 | Sleeve |
| 20 | 9771 021 2578 | 1 | Hose clip Ø 34x5 |
| 21 | 1110 145 9001 | 1 | Plug |
| 22 | 1128 121 8600 | 1 | Washer |
| 23 | 1128 120 0625 | 1 | Carburetor HD-15B (1,2,3,6) |
| 24 | 1128 120 0622 | 1 | Carburetor HD-17A (4,5) |
| 25 | 1128 121 7000 | 1 | Baffle |
| 26 | 9210 260 0700 | 2 | Hexagon nut M5 |
| 27 | 1128 182 0700 | 1 | Grommet |
| 28 | 1128 123 7502 | 1 | Grommet |

(1) MS 440, (2) MS 440 W, (3) MS 440 C,
 (4) MS 440 Magnum, (5) MS 440 Magnum R,
 (6) MS 440 WVH



| Ref. ID | Part Number | Qty. | Part Name |
|---------|---------------|------|---|
| | 1128 120 0625 | 1 | Carburetor HD-15B (1,2,3,6) □ 1 - 31, 34 |
| | 1128 120 0622 | 1 | Carburetor HD-17A (4,5) □ 1 - 28, 32 - 35 |
| 1 | 4116 121 5100 | 1 | Inlet needle |
| 2 | 4116 121 5000 | 1 | Inlet control lever |
| 3 | 1128 122 3002 | 1 | Spring |
| 4 | 1113 121 9200 | 1 | Spindle |
| 5 | 1114 122 7400 | 1 | Round head screw |
| 6 | 4117 122 9402 | 1 | Plug |
| 7 | 1128 121 5404 | 1 | Valve jet |
| 8 | 1128 121 5605 | 1 | Fixed jet 0.66 |
| 9 | 1128 129 0906 | 1 | Gasket |
| 10 | 4116 121 4700 | 1 | Metering diaphragm |
| 11 | 1128 121 0801 | 1 | End cover |
| 12 | 1121 122 7101 | 4 | Screw |
| 13 | 1114 121 7800 | 1 | Strainer |
| 14 | 4116 121 4800 | 1 | Pump diaphragm |
| 15 | 4116 129 0902 | 1 | Gasket |
| 16 | 1127 122 3205 | 1 | Torsion spring |
| 17 | 1127 120 7100 | 1 | Throttle shaft with lever |
| 18 | 1117 122 9000 | 1 | E-clip |
| 19 | 1128 121 3302 | 1 | Throttle shutter |
| 20 | 1115 122 7400 | 1 | Round head screw |
| 21 | 1127 122 3200 | 1 | Torsion spring |
| 22 | 1127 120 7200 | 1 | Choke shaft with lever |
| 23 | 1123 122 9000 | 1 | E-clip |
| 24 | 1122 121 2900 | 1 | Choke shutter |
| 25 | 1110 122 7400 | 1 | Round head screw |
| 26 | 1127 122 6200 | 1 | Idle speed adjustment screw |
| 27 | 1127 121 0800 | 1 | End cover |
| 28 | 1114 122 7100 | 1 | Screw |
| 29 | 1128 122 3003 | 2 | Spring |
| 30 | 1127 122 6701 | 1 | High speed adjustment screw □ 34 |
| 31 | 1128 122 6807 | 1 | Low speed adjustment screw □ 34 |
| 32 | 1128 122 6703 | 1 | High speed adjustment screw (4,5) □ 34 |
| 33 | 1128 122 6806 | 1 | Low speed adjustment screw (4,5) □ 34 |
| 34 | 4203 122 3600 | 2 | Sealing ring |
| 35 | 4203 121 2700 | 2 | Cap (4,5) |

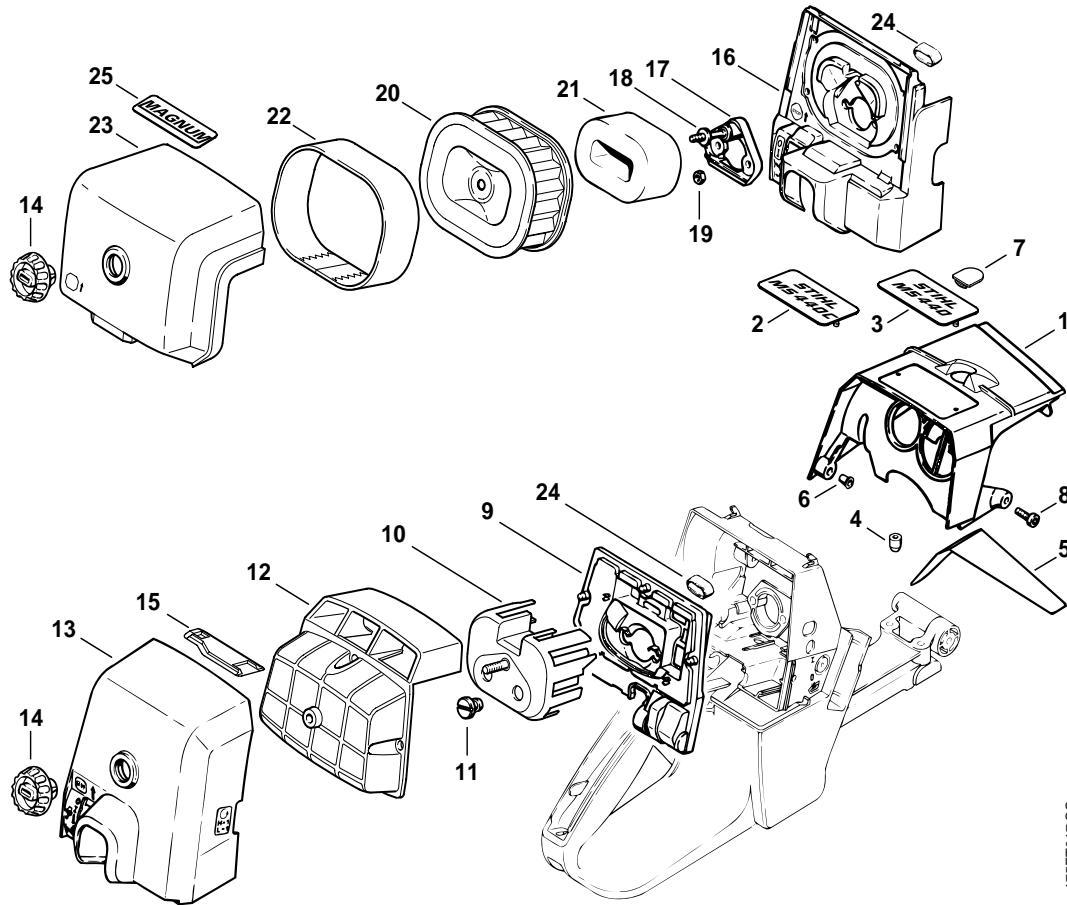
(1) MS 440, (2) MS 440 W, (3) MS 440 C,
 (4) MS 440 Magnum, (5) MS 440 Magnum R,
 (6) MS 440 WVH



| Ref. ID | Part Number | Qty. | Part Name |
|---------|---------------|------|--|
| 36 | 1128 129 1100 | 1 | Gasket Carburetor heating |
| 37 | 1128 430 6000 | 1 | Heating element Carburetor heating □ 38, 39 |
| 38 | 1118 431 6600 | 1 | Terminal pin Carburetor heating |
| 39 | 1118 431 6700 | 1 | Terminal socket Carburetor heating |
| 40 | 1124 121 9100 | 1 | Bushing |
| 41 | 1122 121 5604 | 1 | Fixed jet 0.64 High altitude (B) |
| | 1128 007 1066 | 1 | Set of carburetor parts □ 1 - 3, 9, 10, 13 - 15, 29 |

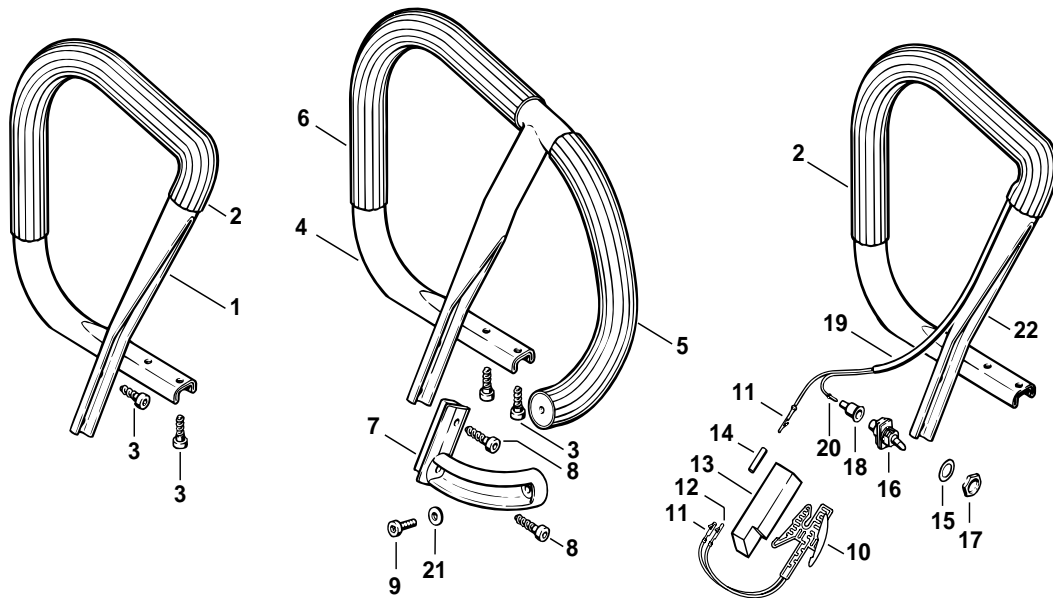
175ET014 SC

not for reprint



| Ref. ID | Part Number | Qty. | Part Name |
|---------|---------------|------|--|
| 1 | 1128 080 1624 | 1 | Shroud □ 4 - 7 |
| 2 | 1128 967 1512 | 1 | Model plate MS 440 C (3) |
| 3 | 1128 967 1511 | 1 | Model plate MS 440 (1,2,4,5,6) |
| 4 | 1121 084 7100 | 1 | Cap |
| 5 | 1128 084 8301 | 1 | Reflector foil |
| 6 | 0000 963 0808 | 3 | Bushing |
| 7 | 1122 084 7100 | 1 | Cap |
| 8 | 9022 341 0980 | 3 | Spline screw IS M5x16 |
| 9 | 1128 120 1602 | 1 | Air filter (1,2,3,4,6) |
| 10 | 1128 120 4101 | 1 | Baffle (1,2,3,4,6) □ 11 |
| 11 | 1128 141 8300 | 2 | Slotted nut (1,2,3,4,6) |
| 12 | 1128 120 1603 | 1 | Air filter (1,2,3,6) |
| 12 | 1128 120 1604 | 1 | Air filter (4) |
| 13 | 1128 140 1909 | 1 | Carburetor box cover (1,2,3,4,6) □ 14, 15 |
| 14 | 1124 140 9500 | 1 | Twist lock |
| 15 | 1122 141 4000 | 1 | Slide (1,2,3,4,6) |
| 16 | 1128 124 3408 | 1 | Filter base (1,4,5) |
| 17 | 1128 120 2201 | 1 | Flange (1,4,5) □ 18 |
| 18 | 1128 122 6610 | 1 | Collar screw (1,4,5) |
| 19 | 9216 263 0700 | 2 | Hexagon nut M5 (1,4,5) |
| 20 | 0000 120 1654 | 1 | Air filter HD (1,4,5) □ 21, 22 |
| 21 | 0000 124 0800 | 1 | Filter insert (1,4,5) |
| 22 | 0000 141 0300 | 1 | Prefilter (1,4,5) |
| 23 | 1128 140 1003 | 1 | Filter cover (1,4,5) □ 14 |
| 24 | 1124 121 9100 | 1 | Bushing |
| 25 | 0000 967 1593 | 1 | Model plate Magnum (4,5) |

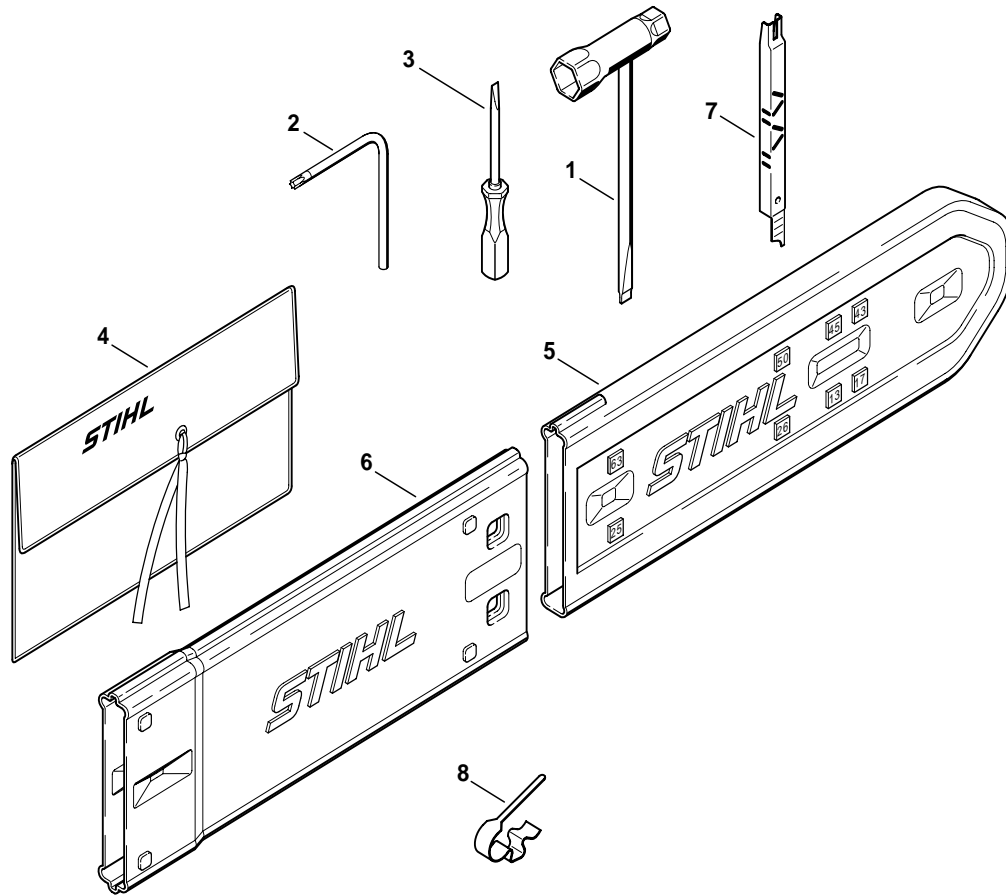
(1) MS 440, (2) MS 440 W, (3) MS 440 C,
 (4) MS 440 Magnum, (5) MS 440 Magnum R,
 (6) MS 440 WVH



| Ref. ID | Part Number | Qty. | Part Name |
|---------|---------------|------|--|
| 1 | 1128 790 1750 | 1 | Handlebar with hose (1,3,4) □ 2, 3 |
| 2 | | 1 | Handle hose 460mm / 18 1/8" (D) (1,3,4) |
| 3 | 9074 478 4475 | 4 | Pan head self-tapping screw IS P6x21.5 |
| 4 | 1128 790 3600 | 1 | Wrap around handlebar (5) □ 5, 6 |
| 5 | | 1 | Handle hose 225mm / 8 7/8" (D) (5) |
| 6 | | 1 | Handle hose 350mm / 13 3/4" (D) (5) |
| 7 | 1128 791 5500 | 1 | Elbow connector (5) |
| 8 | 9074 478 4675 | 2 | Pan head self-tapping screw IS P6x32.5 (5) |
| 9 | 9022 371 1020 | 1 | Spline screw IS M5x20 (5) |
| 10 | 1128 434 5000 | 1 | Heating element (2,6) □ 11, 12 |
| 11 | 1118 431 6700 | 2 | Terminal socket (2,6) |
| 12 | 1118 431 6600 | 1 | Terminal pin (2,6) |
| 13 | 1121 791 9000 | 1 | Clamp (2,6) |
| 14 | 1121 442 0402 | 2 | Insulating hose 35mm / 1.4" (2,6) |
| 15 | 0000 958 1511 | 1 | Washer (2,6) |
| 16 | 1128 430 0200 | 1 | Switch (2,6) |
| 17 | 1128 432 2200 | 1 | Hexagon nut (2,6) |
| 18 | 1110 432 9200 | 1 | Grommet (2,6) |
| 19 | | 1 | Insulating hose (D) (2,6) |
| 20 | 1110 442 7000 | 1 | Contact sleeve (2,6) |
| 21 | 9307 021 0120 | 1 | Washer 5.3 (5) |
| | 0000 791 2009 | 1 | Handle hose Ø 19mm x 5m / 3/4x197" (B) |
| 22 | 1128 790 1752 | 1 | Handlebar (2,6) □ 3, 11, 19, 20 |

175ET008 SC

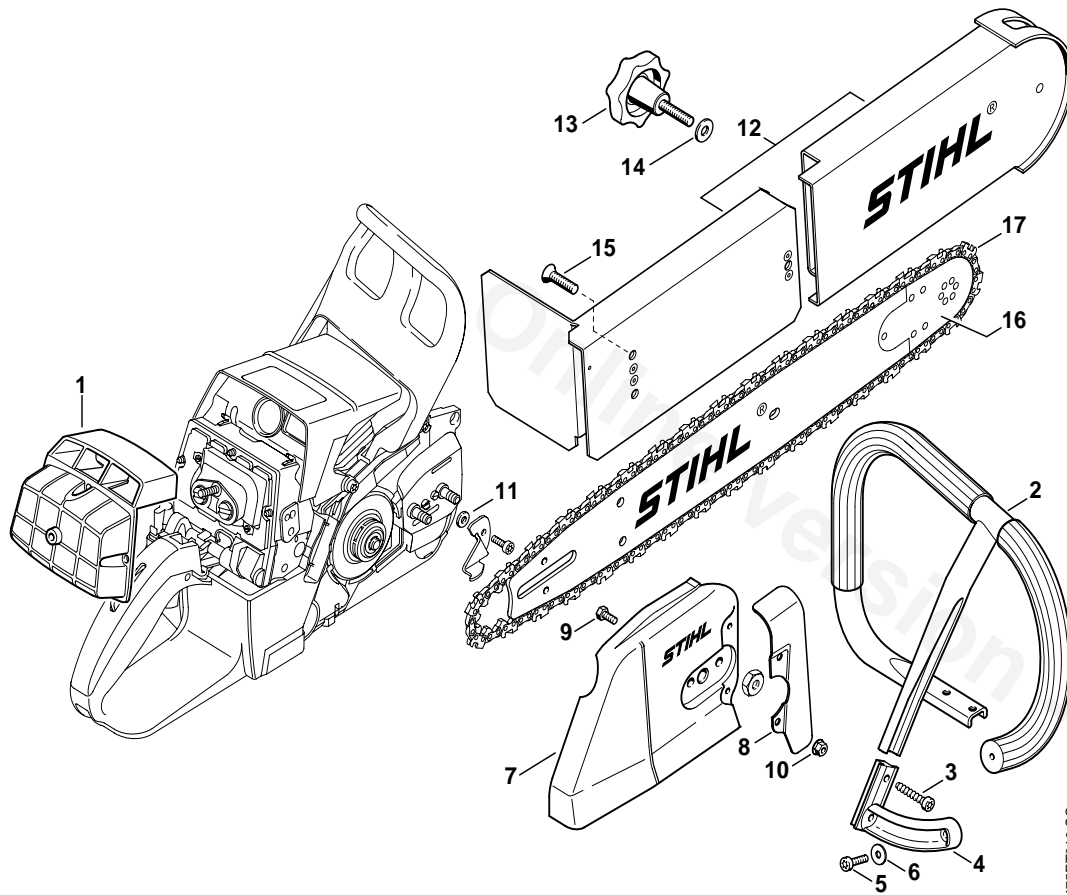
(1) MS 440, (2) MS 440 W, (3) MS 440 C,
(4) MS 440 Magnum, (5) MS 440 Magnum R,
(6) MS 440 WVH



| Ref. ID | Part Number | Qty. | Part Name |
|---------|---------------|------|--|
| | 1121 890 1400 | 1 | Tool kit □ 1 - 4 |
| 1 | 1129 890 3401 | 1 | Combination wrench |
| 2 | 0812 370 1000 | 1 | Screwdriver T27x120x70 |
| 3 | 0000 890 2300 | 1 | Screwdriver |
| 4 | 0000 891 0801 | 1 | Tool roll |
| 5 | 0000 792 9129 | 1 | Chain scabbard |
| 6 | 0000 792 9132 | 1 | Chain scabbard extension up to 63 cm (B) |
| Extras: | | | |
| 7 | 1110 893 4000 | 1 | Filing gauge |
| 8 | 5910 850 1011 | 1 | Speed indicator |
| | 1128 900 5001 | 1 | STIHL repair kit ElastoStart (A) |

175ET009 SC

not for reprint



| Ref. ID | Part Number | Qty. | Part Name |
|---------|---------------|------|--|
| | 1128 007 1068 | 1 | Conversion kit rescue saw 044/MS440 (27.2000) □ 1 -15 |
| 1 | 1128 120 1604 | 1 | Air filter (27.2000) |
| 2 | 1128 790 3600 | 1 | Wrap around handlebar (27.2000) |
| 3 | 9074 478 4675 | 2 | Pan head self-tapping screw IS P6x32.5 (27.2000) |
| 4 | 1128 791 5500 | 1 | Elbow connector (27.2000) |
| 5 | 9022 371 1020 | 1 | Spline screw IS M5x20 (27.2000) |
| 6 | 9307 021 0120 | 1 | Washer 5.3 (27.2000) |
| 7 | 1128 640 1702 | 1 | Chain sprocket cover (27.2000) |
| 8 | 3003 656 3000 | 1 | Cover (27.2000) |
| 9 | 9008 319 0960 | 2 | Hexagon head screw M5x12 (27.2000) |
| 10 | 9216 263 0700 | 2 | Hexagon nut M5 (27.2000) |
| 11 | 9309 021 0110 | 1 | Washer 5.3 (27.2000) |
| 12 | 3003 650 6500 | 1 | Stop depth wheel (27.2000) □ 13 - 15 |
| 13 | 9570 601 1880 | 1 | Star grip screw (27.2000) |
| 14 | 9308 021 0180 | 1 | Washer 8.4 (27.2000) |
| 15 | 9064 341 1860 | 2 | Countersunk screw M8x30 (27.2000) |
| 16 | 3003 002 9421 | 1 | Guide bar (27.2000) |
| 17 | 3949 000 0072 | 1 | 36RDS chain RAPID DURO (27.2000) |
| | 3949 007 1000 | 1 | Cutter repair kit, r/h (27.2000) |
| | 3949 007 1001 | 1 | Cutter repair kit, l/h (27.2000) |
| | 3949 007 1002 | 1 | Drive link repair kit (27.2000) |

175ET010 SC