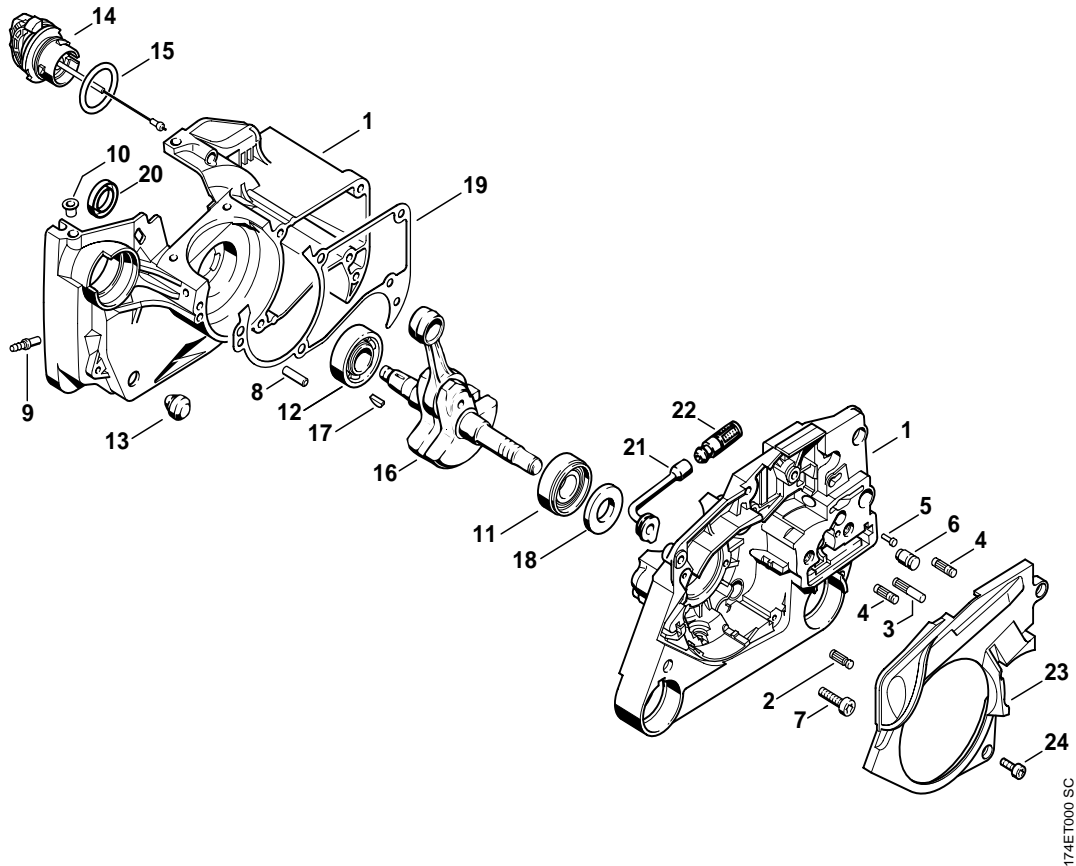


---

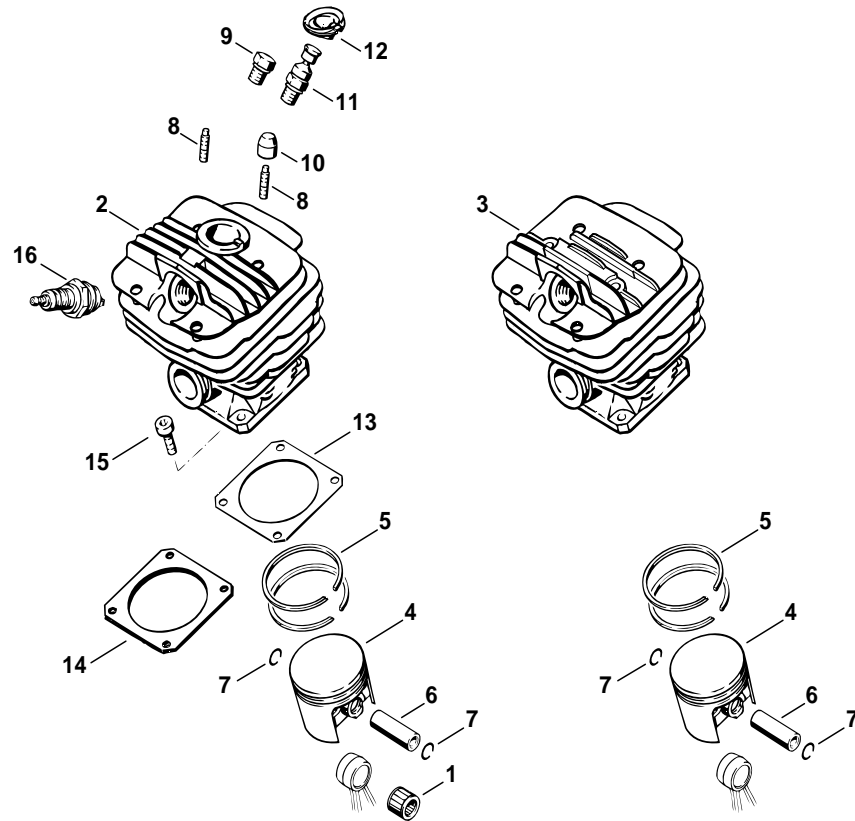
# **MS 360** (1125)

A	Crankcase .....	2
B	Cylinder .....	3
C	Muffler .....	4
D	Oil pump, Chain tensioner kit .....	5
E	Chain brake, Clutch .....	6
F	Ignition system .....	7
G	Rewind starter .....	8
H	Tank housing, AV-System .....	9
J	Air filter, Throttle control .....	10
K	Carburetor C3A-S31E, C3A-S65 .....	11
L	Carburetor C3A-S39B, C3A-S52 .....	12
L	Carburetor C3A-S39B, C3A-S52 .....	13
M	Carburetor C3A-S27D .....	14
N	Shroud, Carburetor box cover .....	15
O	Heating, Handlebar .....	16
P	Tools, Extras .....	17



Ref. ID	Part Number	Qty.	Part Name
1	1125 020 2120	1	Crankcase □ 2 - 15
2	1120 162 5200	1	Pin
3	1121 162 5205	1	Pin
4	1121 162 5200	2	Pin
5	0000 974 1200	1	Notched pin 2.6x8
6	1128 640 9100	1	Valve
7	9022 371 1020	5	Spline screw IS M5x20
8	9371 470 2610	2	Cylindrical pin 5x18
9	0000 988 5211	1	Connector
10	9416 868 6531	2	Hollow rivet 6.5x0.5x6.8
11	9523 003 4265	1	Grooved ball bearing 15x35x13
12	9503 003 0340	1	Grooved ball bearing 6202
13	1125 791 2810	1	Stop buffer
14	0000 350 0526	1	Filler cap □ 15
15	9645 948 2470	1	O-ring 23x3
16	1125 030 0407	1	Crankshaft □ 17
17	1120 036 8500	1	Woodruff key 2x3.7
18	9640 003 1600	1	Oil seal 15x29.6x4
19	1125 029 0500	1	Gasket
20	9640 003 1190	1	Oil seal 12x20x5
21	1122 647 9400	1	Hose
22	1117 640 3800	1	Pickup body
23	1125 021 1101	1	Cover
24	9022 313 0660	3	Spline screw IS M4x12
	1125 007 1050	1	Set of gaskets □ 18 - 20

174ET000 SC

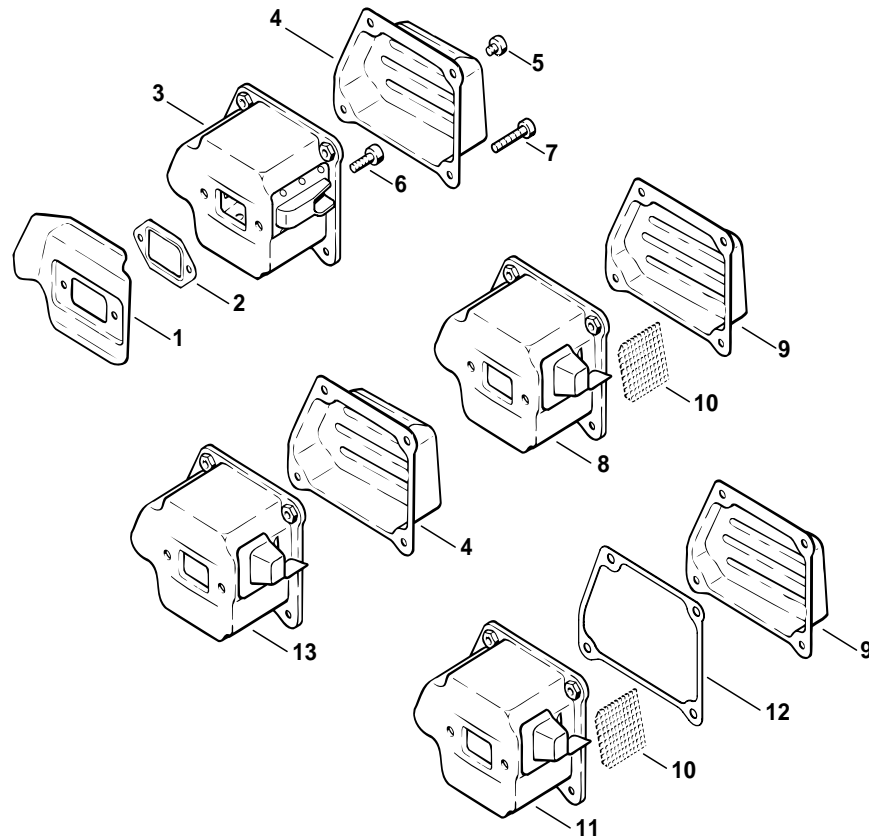


Ref. ID	Part Number	Qty.	Part Name
1	9512 535 2340	1	Needle cage 10x14x13
2	1125 020 1215	1	Cylinder with piston Ø 48mm □ 4 - 9
3	1125 020 1206	1	Cylinder with piston Ø 48mm (6) □ 4 - 7
4	1125 030 2001	1	Piston Ø 48mm □ 5 - 7
5	1125 034 3001	2	Piston ring Ø 48x1.2mm
6	1125 034 1500	1	Piston pin
7	9463 650 1000	2	Snap ring 10
8	0000 953 0818	2	Stud M5
9	1122 025 2200	1	Plug
10	1121 084 7100	1	Cap
11	1128 020 9400	1	Decompression valve
12	1122 084 1405	1	Cover
13	1119 029 2301	1	Cylinder gasket 0.5mm
14	1125 029 2301	1	Cylinder gasket 1mm low compression
15	9022 371 1020	4	Spline screw IS M5x20
16	1110 400 7005	1	Spark plug Bosch WSR 6 F
16	0000 400 7000	1	Spark plug NGK BPMR7A
	1125 007 1050	1	Set of gaskets □ 13

(1) MS 360, (2) MS 360 W, (3) MS 360 WVH,  
(4) MS 360 PRO, (5) MS 360 Arctic, (6) MS 360 BR

174ET022 SC

not for reprint

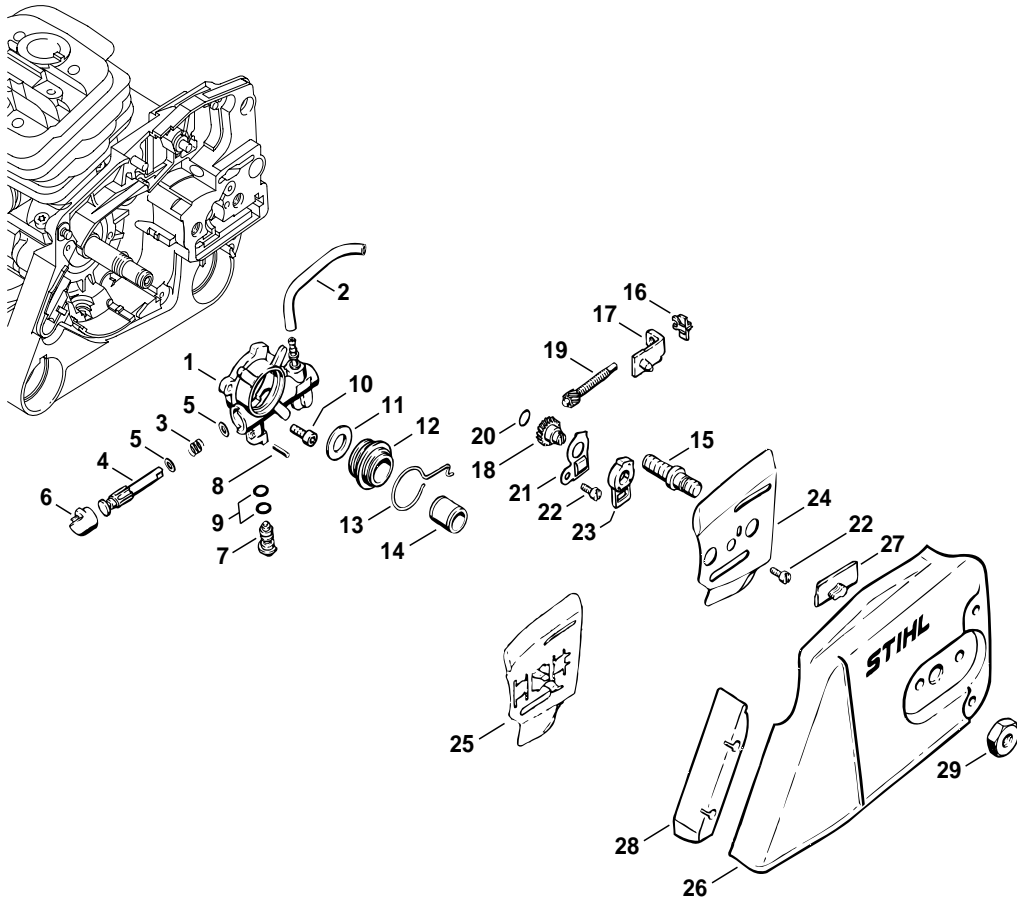


Ref. ID	Part Number	Qty.	Part Name
1	1125 141 3200	1	Cooling plate
2	1125 149 0601	1	Exhaust gasket
3	1125 140 0607	1	Muffler TR (1,2,3) □ 4
4	1125 145 0804	1	Exhaust casing TR (1,2,3,6)
5	9022 341 0910	2	Spline screw IS M5x6
6	9022 341 0980	2	Spline screw IS M5x16
7	9022 341 1050	2	Spline screw IS M5x25
8	1125 140 0609	1	Muffler AUS □ 9, 10
9	1125 145 0805	1	Exhaust casing AUS (4,5)
10	1125 141 9001	1	Screen AUS (4,5)
11	1125 140 0614	1	Muffler (4,5) □ 9, 10
12	1125 149 0500	1	Gasket (4,5)
13	1125 140 0611	1	Muffler (6) □ 4
	1125 007 1050	1	Set of gaskets □ 2

(1) MS 360, (2) MS 360 W, (3) MS 360 WVH,  
(4) MS 360 PRO, (5) MS 360 Arctic, (6) MS 360 BR

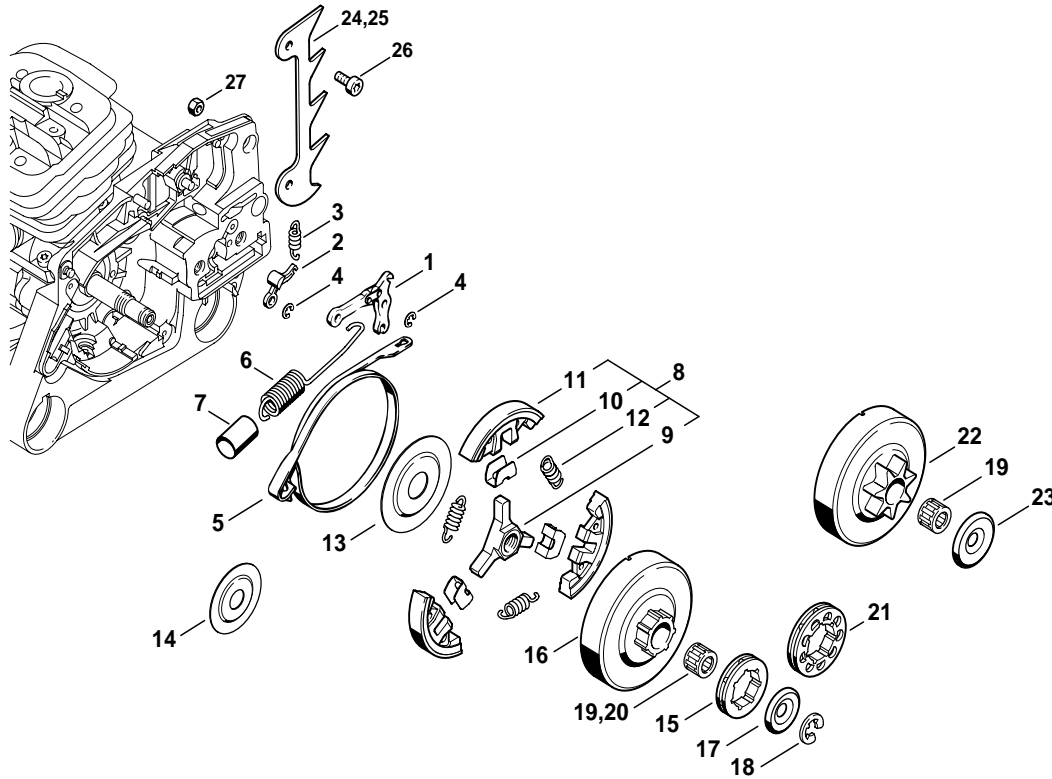
174ET023 SC

not for reprint



174ET003 SC

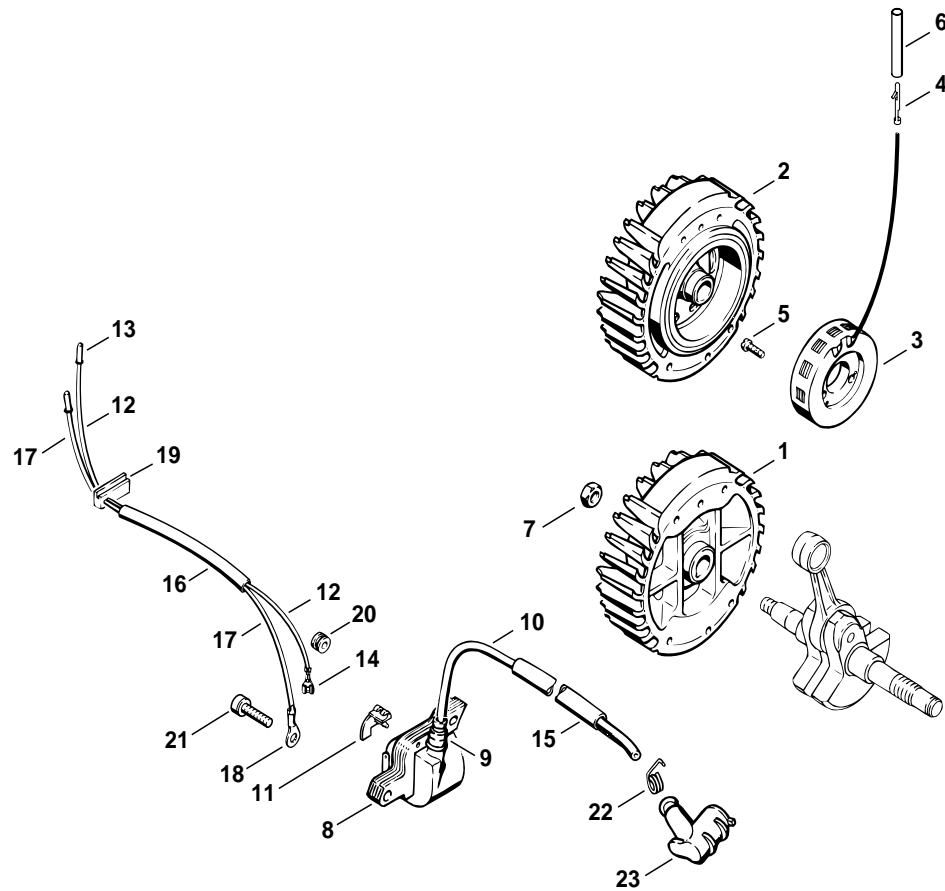
Ref. ID	Part Number	Qty.	Part Name
	1125 640 3201	1	Oil pump
	□ 1 - 9		
1	1125 640 3001	1	Pump housing
	1124 007 1010	1	Oil hose kit
	□ 2		
2		1	Oil hose 74mm / 2.9" (D)
3	0000 997 0629	1	Compression spring
4	1125 647 0602	1	Pump piston
5	0000 958 0611	2	Washer
6	1125 647 7002	1	Plug
7	1128 647 4806	1	Control bolt
8	9380 620 1090	1	Roll pin 2x10
9	9646 945 0160	2	O-ring 4x2
10	9022 313 0660	2	Spline screw IS M4x12
11	1125 647 7800	1	Washer
12	1125 640 7110	1	Worm
	□ 13		
13	1125 647 2400	1	Spring
14	0000 993 0510	1	Ring
15	0000 953 6605	2	Collar screw M8
16	1125 664 1400	1	Thrust pad
17	1125 640 1900	1	Tensioner slide
	1125 007 1021	1	Spur gear / chain adjusting screw kit
	□ 18 - 20		
18		1	Spur gear (D)
19		1	Adjusting screw (D)
20	9646 945 0490	1	O-ring 7x1.5
21	1122 664 2200	1	Cover plate
22	9041 216 0630	2	Pan head screw M4x8
23	1122 664 4500	1	Support
24	1122 664 1000	1	Inner side plate
25	1122 664 1001	1	Inner side plate (B)
26	1125 640 1701	1	Chain sprocket cover
	□ 27, 28		
27	1121 648 6610	2	Bumper strip
28	1125 656 1501	1	Guard
29	0000 955 0801	2	Collar nut M8



174ET016 SC

Ref. ID	Part Number	Qty.	Part Name
1	1121 160 5000	1	Lever
2	1121 162 5010	1	Lever
3	0000 997 0628	1	Spring
4	9460 624 0400	2	E-clip 4
5	1125 160 5400	1	Brake band
6	1121 160 5500	1	Tension spring □ 7
7	1125 162 8002	1	Hose 20mm / 13/16"
	1125 160 2051	1	Clutch □ 8 - 13
8	1125 160 2005	1	Clutch □ 9 - 12
9	1125 162 3202	1	Carrier
10	1128 162 3000	3	Retainer
11	1128 162 0806	3	Clutch shoe
12	0000 997 5815	3	Tension spring
13	1128 162 1001	1	Cover washer 58mm / 2 5/16"
14	* 1128 162 1000	1	Cover washer 43mm / 1 3/4" (10.2002)
	1125 007 1041	1	Rim sprocket kit 3/8" 7T (1,2,3,5) □ 15 - 19
15	0000 642 1223	1	Rim sprocket 3/8" 7T
16		1	Clutch drum (D)
17	0000 958 1022	1	Washer Ø 27mm
18	9460 624 0801	1	E-clip 8x1.3
19	9512 933 2380	1	Needle cage 10x16x12 (1,2,3,4,6)
20	9512 933 2381	1	Needle cage 10x16x12 (5)
	1125 007 1003	1	Rim sprocket kit 0.325" 9T Skand. □ 16 - 19, 21
21	0000 642 1239	1	Rim sprocket 0.325" 9T Skand.
22	1125 640 2006	1	Chain sprocket 3/8" 7T TR
23	0000 958 1021	1	Washer Ø 33mm TR
24	1110 664 0501	1	Bumper spike TR (1,2,3,4,5)
25	1128 664 0500	1	Bumper spike (6)
26	9022 341 0960	2	Spline screw IS M5x12
27	9214 320 0700	1	Lock nut M5

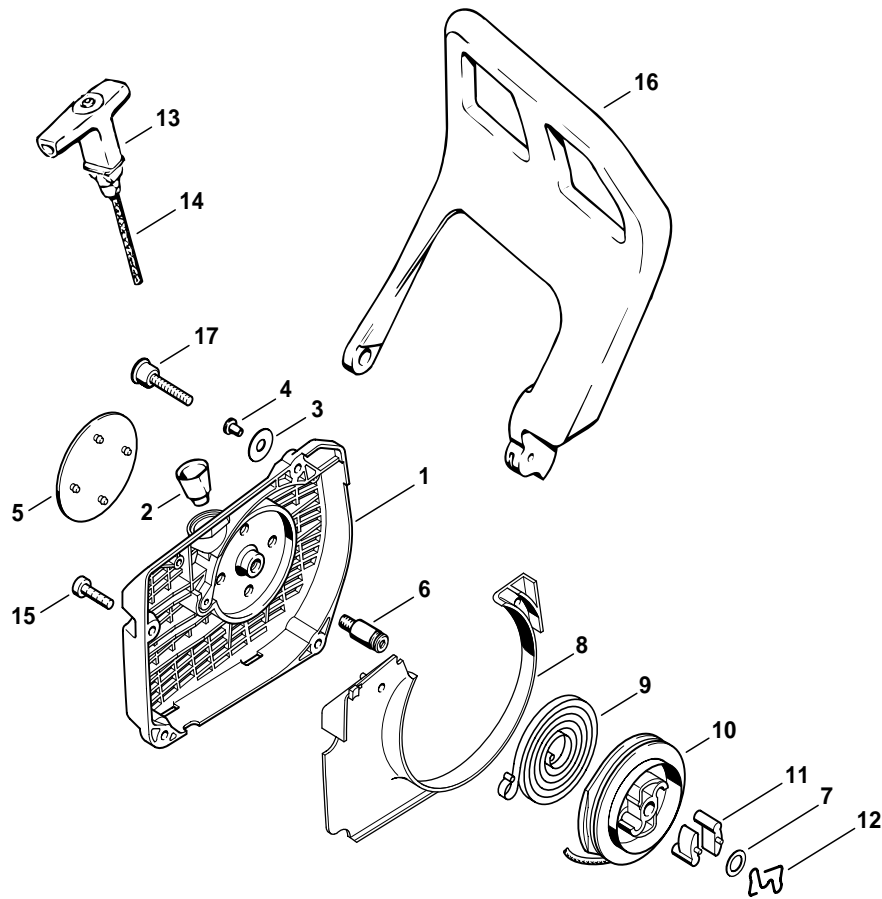
(1) MS 360, (2) MS 360 W, (3) MS 360 WVH,  
(4) MS 360 PRO, (5) MS 360 Arctic, (6) MS 360 BR



174ET005 SC

Ref. ID	Part Number	Qty.	Part Name
1	1125 400 1202	1	Flywheel (1,4,6)
2	1125 400 1208	1	Flywheel (2,3,5)
3	1118 400 4000	1	Generator (2,3,5)
		□ 4	
4	1118 431 6600	1	Terminal pin (2,3,5)
5	9041 216 0540	1	Pan head screw M3.5x12 (2,3,5)
6	1121 442 0402	3	Insulating hose 35mm / 1.4" (2,3,5)
7	0000 955 0802	1	Collar nut M8x1
8	0000 400 1300	1	Ignition module
		□ 9 - 11	
9	0000 989 1010	1	Grommet
10		1	Ignition lead 195mm
	0000 405 0600	1	Ignition lead 1m (B)
	0000 930 2251	1	Ignition lead 10m
11	0000 448 1250	1	Lead retainer
12	1125 440 1100	1	Short circuit wire 270mm / 10.6" TR (1,2,4,6)
		□ 13, 14	
13	1119 442 7000	1	Contact sleeve TR (1,2,4,6)
14	0751 030 8953	1	Terminal socket 4.8-1 TR (1,2,4,6)
15	1117 442 0905	1	Insulating hose 110mm / 4.3"
16	1125 442 0400	1	Insulating hose 120mm / 4.7"
17	1125 440 2200	1	Ground wire
		□ 13, 18	
18	0751 030 8961	1	Terminal socket A5-2.5
	0751 010 1110	1	Lead 10m / 33' (B)
19	1125 123 7500	1	Grommet
20	1125 084 8900	1	Grommet
21	9022 341 1019	2	Spline screw IS M5x20
22	0000 998 0604	1	Torsion spring
23	1128 405 1000	1	Spark plug boot

(1) MS 360, (2) MS 360 W, (3) MS 360 WVH,  
 (4) MS 360 PRO, (5) MS 360 Arctic, (6) MS 360 BR

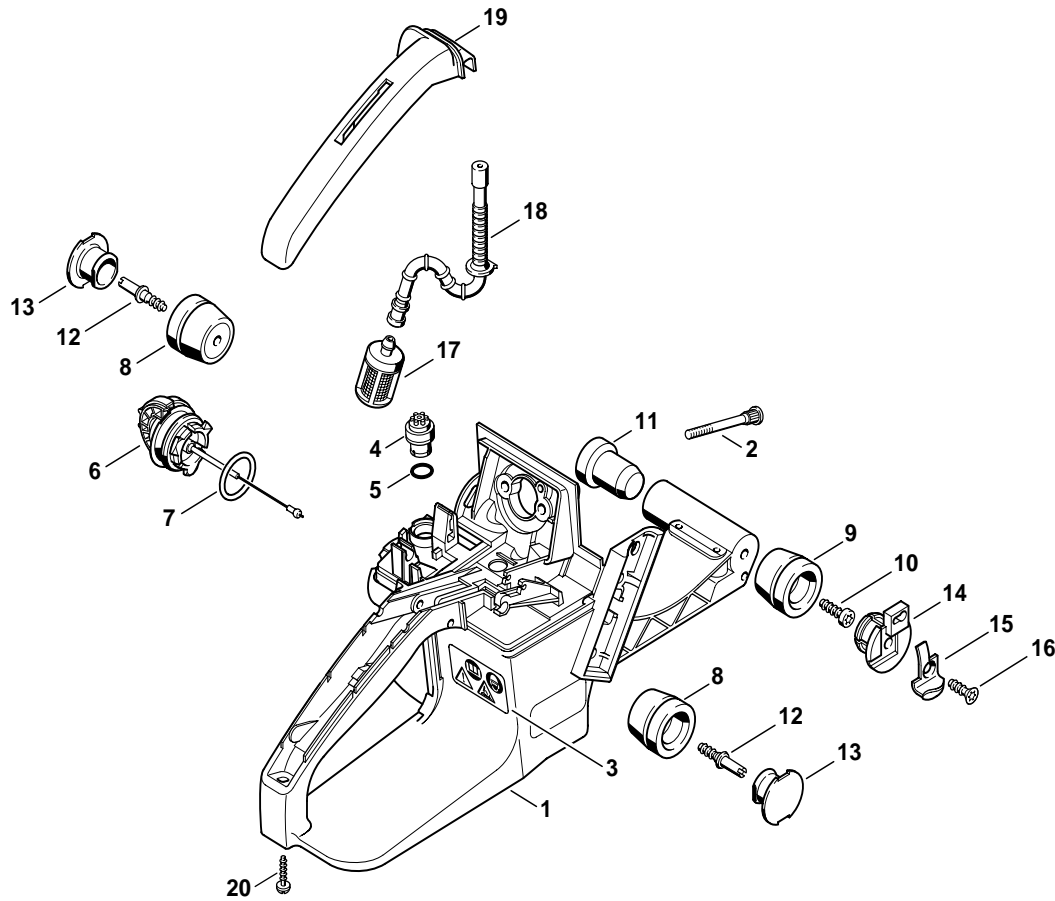


Ref. ID	Part Number	Qty.	Part Name
	1125 080 2105	1	Fan housing with rewind starter □ 1 - 14
1	1125 080 1830	1	Fan housing □ 2 - 8
2	1110 084 9102	1	Bushing
3	0000 958 0601	1	Washer
4	9416 868 6530	1	Hollow rivet 6.5x0.5x6.8
5	1125 967 1510	1	Model plate MS 360
6	1128 080 6500	1	Axle □ 7
7	0000 958 0923	1	Washer
8	1125 084 7801	1	Segment
9	1129 190 0601	1	Rewind spring
10	1128 195 0400	1	Rope rotor
11	1125 195 7200	2	Pawl
12	1128 195 3500	1	Spring
13	1128 190 3400	1	Starter grip ElastoStart □ 14
14	1128 190 2900	1	Starter rope Ø 3.5mm
	0000 930 2267		Starter rope Ø 3.5mm / 28 pieces (B)
15	9022 371 1020	3	Spline screw IS M5x20
16	1125 792 9100	1	Hand guard
17	0000 790 6103	1	Screw assy. M5

174ET006 SC

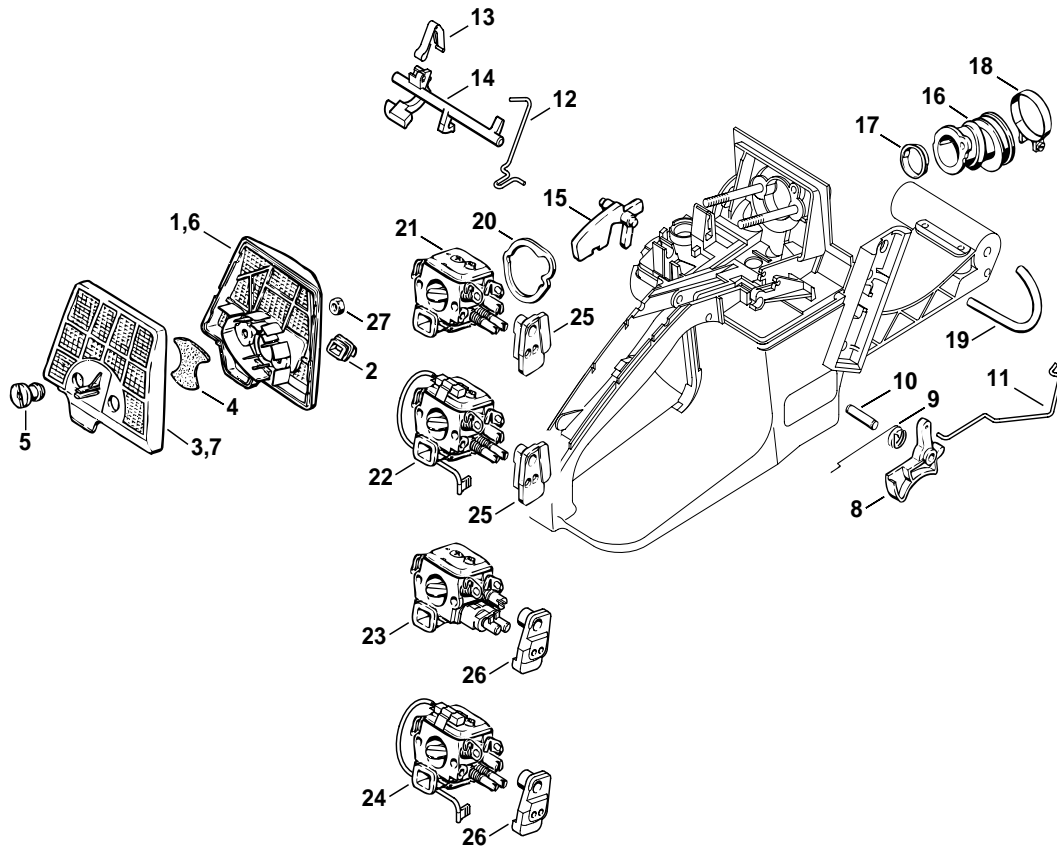
not for reprint





Ref. ID	Part Number	Qty.	Part Name
1	1125 350 0818	1	Tank housing □ 2 - 7
2	4116 122 6600	2	Collar screw
3	0000 967 3662	1	Instruction label
4	0000 350 5800	1	Tank vent □ 5
5	9645 948 7512	1	O-ring 10x2
6	0000 350 0525	1	Filler cap □ 7
7	9645 948 7734	1	O-ring 25x3.5 AV system normal:
8	1125 790 9904	2	Annular buffer 1125/04
9	1125 790 9906	1	Annular buffer 1125/06 AV system hard:
8	1125 790 9910	2	Annular buffer 1125/10
9	1125 790 9904	1	Annular buffer 1125/04 AV system soft:
8	1125 790 9906	2	Annular buffer 1125/06
9	1125 790 9906	1	Annular buffer 1125/06
10	9074 478 4435	1	Pan head self-tapping screw IS P6x19
11	1125 791 2805	1	Stop buffer
12	1125 791 6200	2	Screw
13	1125 791 7306	2	Plug
14	1125 791 7300	1	Plug
15	1125 650 7700	1	Chain catcher □ 16
16	9104 003 3065	1	Self-tapping screw P6.3x18
17	0000 350 3504	1	Pickup body
18	1127 358 7705	1	Hose
19	1121 791 0600	1	Handle molding
20	9074 478 3076	1	Pan head self-tapping screw IS P4x19

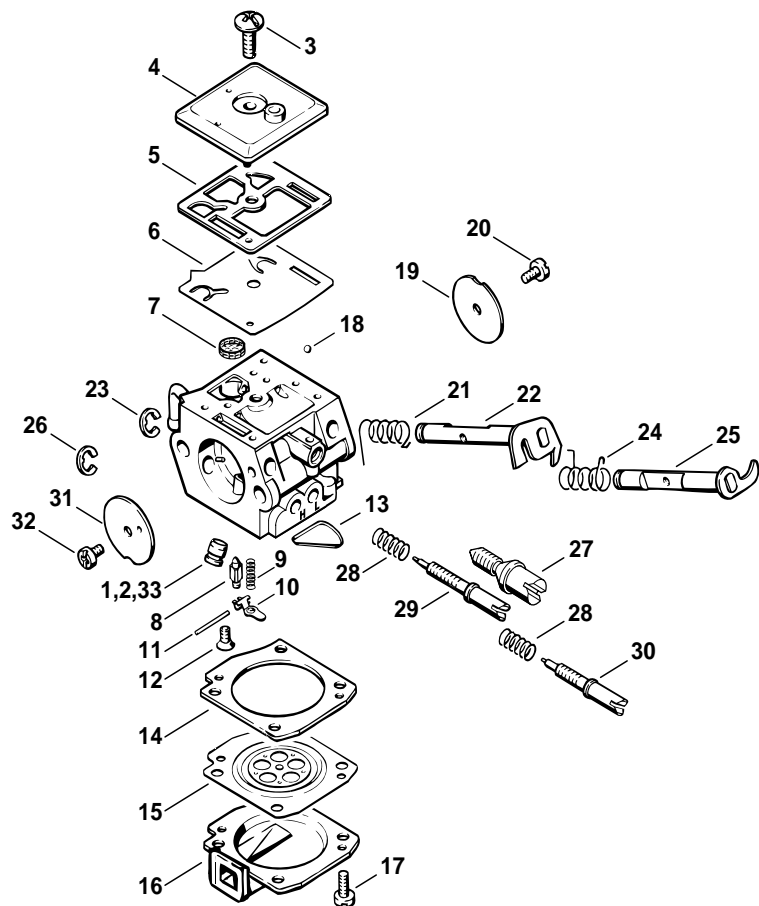
174ET015 SC



174ET021 SC

Ref. ID	Part Number	Qty.	Part Name
	1125 120 1612	1	Air filter (1,2,3,5,6) □ 1 - 5
1	1125 120 1602	1	Air filter (1,2,3,5,6) □ 2
2	1125 121 9100	1	Bushing
3	1125 120 1607	1	Air filter (1,2,3,5,6) □ 4
4	1125 122 4900	1	Filter insert
5	1125 141 8300	2	Slotted nut
	1125 120 1626	1	Air filter, fleece (4) □ 2, 4 - 7
6	1125 120 1617	1	Air filter, fleece (4) □ 2
7	1125 120 1622	1	Air filter, fleece (4) □ 4
8	1118 182 1006	1	Throttle trigger
9	1117 182 4500	1	Torsion spring
10	9371 470 2640	1	Cylindrical pin 5x24
11	1125 182 1502	1	Throttle rod
12	1125 185 2002	1	Choke rod
13	1125 442 1601	1	Contact spring
14	1125 182 0901	1	Switch shaft
15	1117 182 0805	1	Trigger interlock
16	1125 141 2200	1	Manifold
17	1119 141 1800	1	Sleeve
18	9771 021 2580	1	Hose clip Ø 34x7
19	1129 141 8600	1	Hose 102mm
	0712 923 8004	1	Hose 3,1x5,7mm x 10m (B)
19		1	Hose 3,1x5,7x102mm
20	1119 121 8600	1	Washer
21	1125 120 0613	1	Carburetor C3A-S31E (1,2)
21	1125 120 0614	1	Carburetor CA-S65 (6)
22	1125 120 0609	1	Carburetor C3A-S27D (3)
23	1125 120 0615	1	Carburetor C3A-S39B (4)
24	1125 120 0612	1	Carburetor C3-S52 (5)
25	1125 123 7506	1	Grommet (1,2,3,6)
26	1125 123 7501	1	Grommet (4,5)
27	9210 260 0700	2	Hexagon nut M5

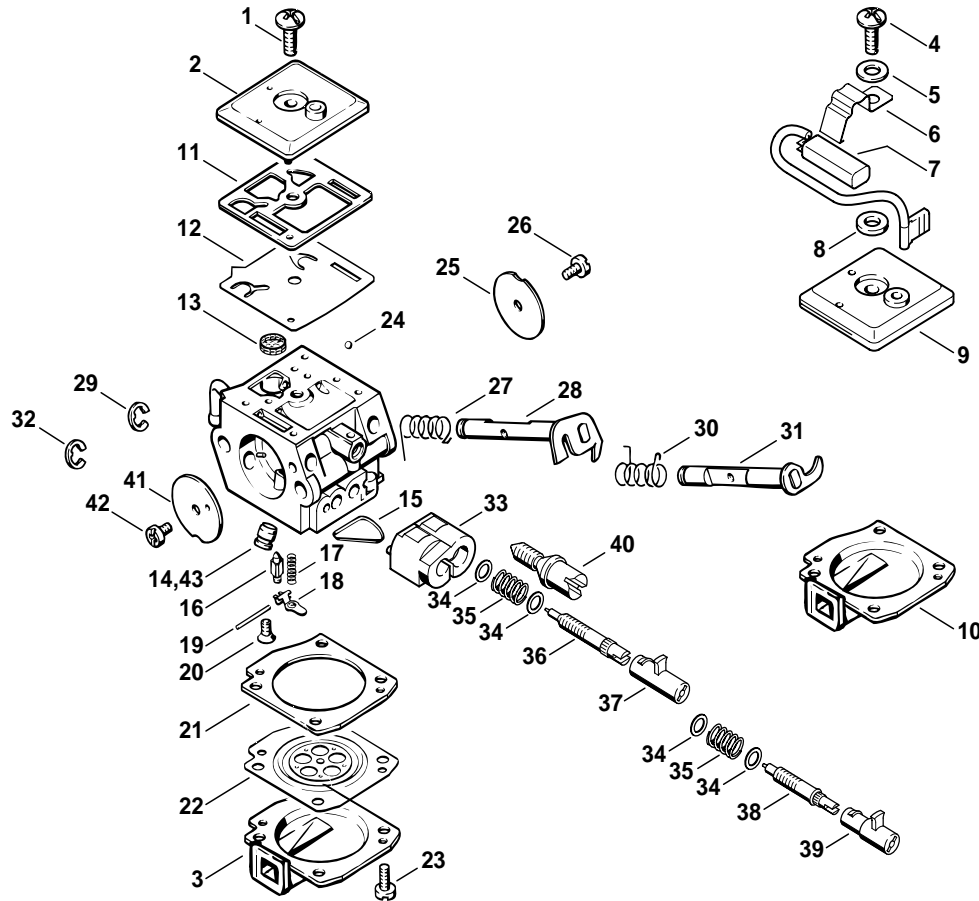
(1) MS 360, (2) MS 360 W, (3) MS 360 WVH,  
(4) MS 360 PRO, (5) MS 360 Arctic, (6) MS 360 BR



174ET018 SC

Ref. ID	Part Number	Qty.	Part Name
	1125 120 0613	1	Carburetor C3A-S31E (1,2) □ 1, 3 - 32
1	1125 121 5408	1	Valve jet 0.58 (1,2)
	1125 120 0614	1	Carburetor CA-S65 (6) □ 2 - 32
2	1125 121 5410	1	Valve jet 0.65 (6)
3	1120 122 7800	1	Oval head screw (1,2,6)
4	1125 121 0802	1	End cover (1,2,6)
5	1125 129 0900	1	Gasket (1,2,6)
6	1128 121 4802	1	Pump diaphragm (1,2,6)
7	1123 121 7800	1	Strainer (1,2,6)
8	4116 121 5100	1	Inlet needle (1,2,6)
9	1120 122 3004	1	Spring (1,2,6)
10	1125 121 5000	1	Inlet control lever (1,2,6)
11	1120 121 9200	1	Spindle (1,2,6)
12	1120 122 6600	1	Collar screw (1,2,6)
13	1123 121 0700	1	Cup plug (1,2,6)
14	1125 129 0901	1	Gasket (1,2,6)
15	1125 121 4700	1	Metering diaphragm (1,2,6)
16	1125 121 0804	1	End cover (1,2,6)
17	1120 122 6601	4	Collar screw (1,2,6)
18	1125 122 4200	1	Ball (1,2,6)
19	1125 121 3301	1	Throttle shutter (1,2,6)
20	1125 122 7402	1	Round head screw (1,2,6)
21	1125 122 3202	1	Torsion spring (1,2,6)
22	1125 120 7101	1	Throttle shaft with lever (1,2,6)
23	1125 122 9001	1	E-clip (1,2,6)
24	1125 122 3203	1	Torsion spring (1,2,6)
25	1125 120 7201	1	Choke shaft with lever (1,2,6)
26	1125 122 9003	1	E-clip (1,2,6)
27	1125 122 6200	1	Idle speed adjustment screw (1,2,6)
28	1120 122 3005	2	Spring (1,2,6)
29	1125 122 6802	1	Low speed adjustment screw (1,2,6)
30	1125 122 6702	1	High speed adjustment screw (1,2,6)
31	1125 121 2901	1	Choke shutter (1,2,6)
32	1125 122 7403	1	Round head screw (1,2,6)
33	1125 121 5409	1	Valve jet 0.56 High altitude (B) (1,2)
	1128 007 1065	1	Set of carburetor parts (1,2,6) □ 5 - 10, 14, 15

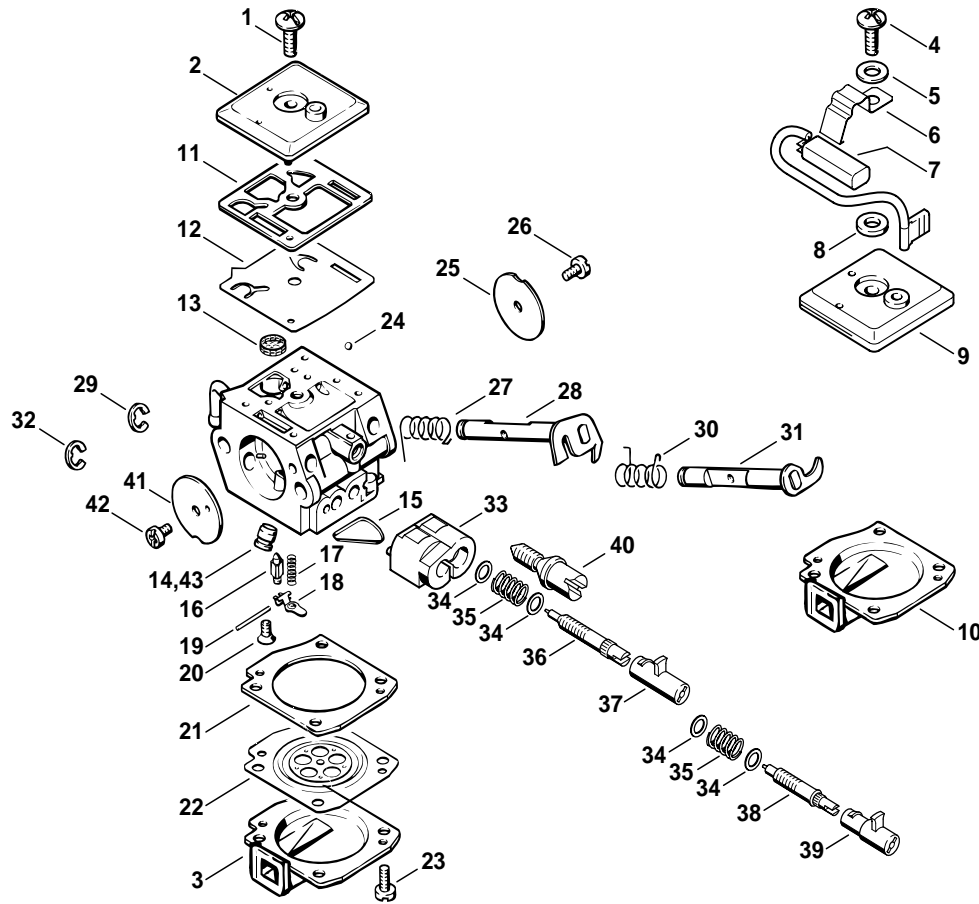
(1) MS 360, (2) MS 360 W, (3) MS 360 WVH,  
(4) MS 360 PRO, (5) MS 360 Arctic, (6) MS 360 BR



174ET010 SC

Ref. ID	Part Number	Qty.	Part Name
	1125 120 0615	1	Carburetor C3A-S39B (4) □ 1 - 3, 11 - 42
1	1120 122 7800	1	Oval head screw (4)
2	1125 121 0802	1	End cover (4)
3	1125 121 0804	1	End cover (4)
	1125 120 0612	1	Carburetor C3-S52 (5) □ 4 - 42
4	1128 122 7700	1	Oval head screw (5)
5	1128 122 1502	1	Washer (5)
6	1128 122 9301	1	Clip (5)
7	1125 430 0500	1	Switch (5)
8	1128 122 1501	1	Washer (5)
9	1125 121 0807	1	End cover (5)
10	1125 121 0805	1	End cover (5)
11	1125 129 0900	1	Gasket (4,5)
12	1128 121 4802	1	Pump diaphragm (4,5)
13	1123 121 7800	1	Strainer (4,5)
14	1125 121 5408	1	Valve jet 0.58 (4,5)
15	1123 121 0700	1	Cup plug (4,5)
16	4116 121 5100	1	Inlet needle (4,5)
17	1120 122 3004	1	Spring (4,5)
18	1125 121 5000	1	Inlet control lever (4,5)
19	1120 121 9200	1	Spindle (4,5)
20	1120 122 6600	1	Collar screw (4,5)
21	1125 129 0901	1	Gasket (4,5)
22	1125 121 4700	1	Metering diaphragm (4,5)
23	1120 122 6601	4	Collar screw (4,5)
24	1125 122 4200	1	Ball (4,5)
25	1125 121 3301	1	Throttle shutter (4,5)
26	1125 122 7402	1	Round head screw (4,5)
27	1125 122 3202	1	Torsion spring (4,5)
28	1125 120 7101	1	Throttle shaft with lever (4,5)
29	1125 122 9001	1	E-clip (4,5)
30	1125 122 3203	1	Torsion spring (4,5)

(1) MS 360, (2) MS 360 W, (3) MS 360 WVH,  
(4) MS 360 PRO, (5) MS 360 Arctic, (6) MS 360 BR

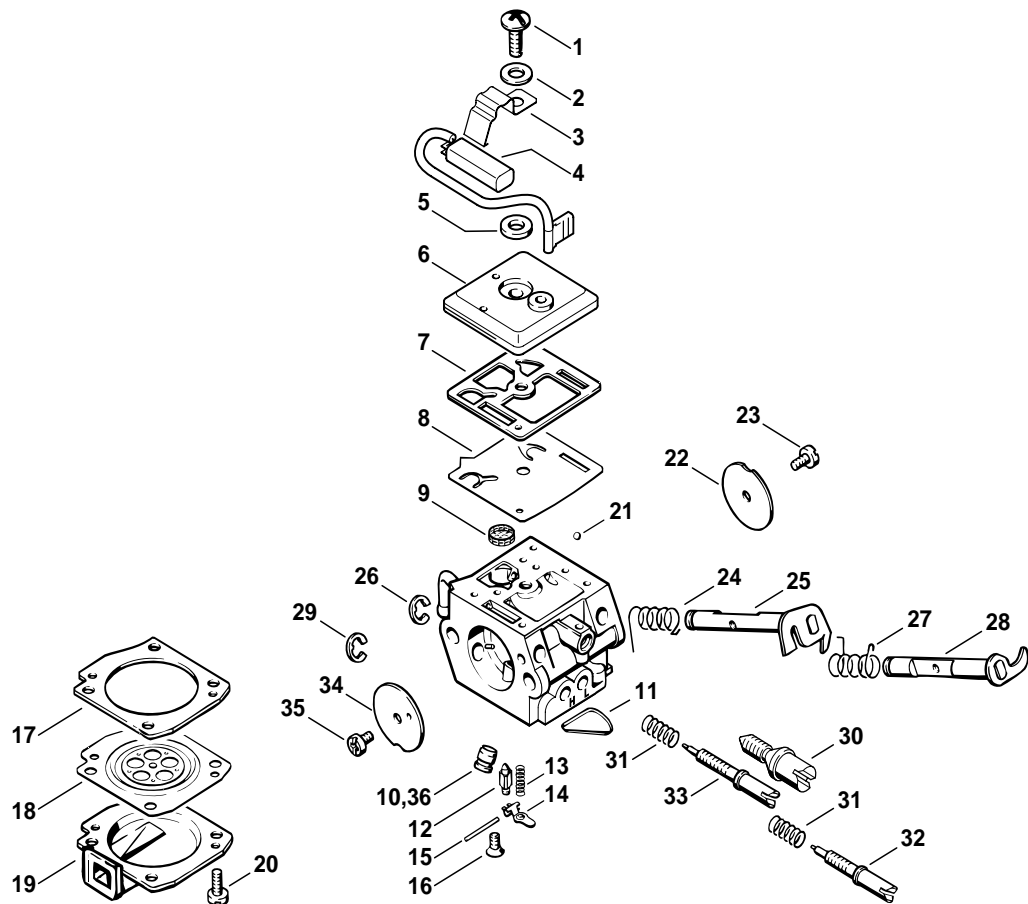


Ref. ID	Part Number	Qty.	Part Name
31	1125 120 7201	1	Choke shaft with lever (4,5)
32	1125 122 9003	1	E-clip (4,5)
33	1125 122 4600	1	Support (4,5)
34	4135 121 8600	4	Washer (4,5)
35	1125 122 3000	2	Spring (4,5)
36	1125 122 6803	1	Low speed adjustment screw (4,5)
37	1125 121 2701	1	Cap white (4,5)
38	1125 122 6703	1	High speed adjustment screw (4,5)
39	1125 121 2700	1	Cap red (4,5)
40	1125 122 6200	1	Idle speed adjustment screw (4,5)
41	1125 121 2901	1	Choke shutter (4,5)
42	1125 122 7403	1	Round head screw (4,5)
43	1125 121 5409	1	Valve jet 0.56 High altitude (B) (4,5)
	1128 007 1065	1	Set of carburetor parts (4,5)
			□ 11, 12, 16 - 18, 21, 22

(1) MS 360, (2) MS 360 W, (3) MS 360 WVH,  
 (4) MS 360 PRO, (5) MS 360 Arctic, (6) MS 360 BR

174ET010 SC

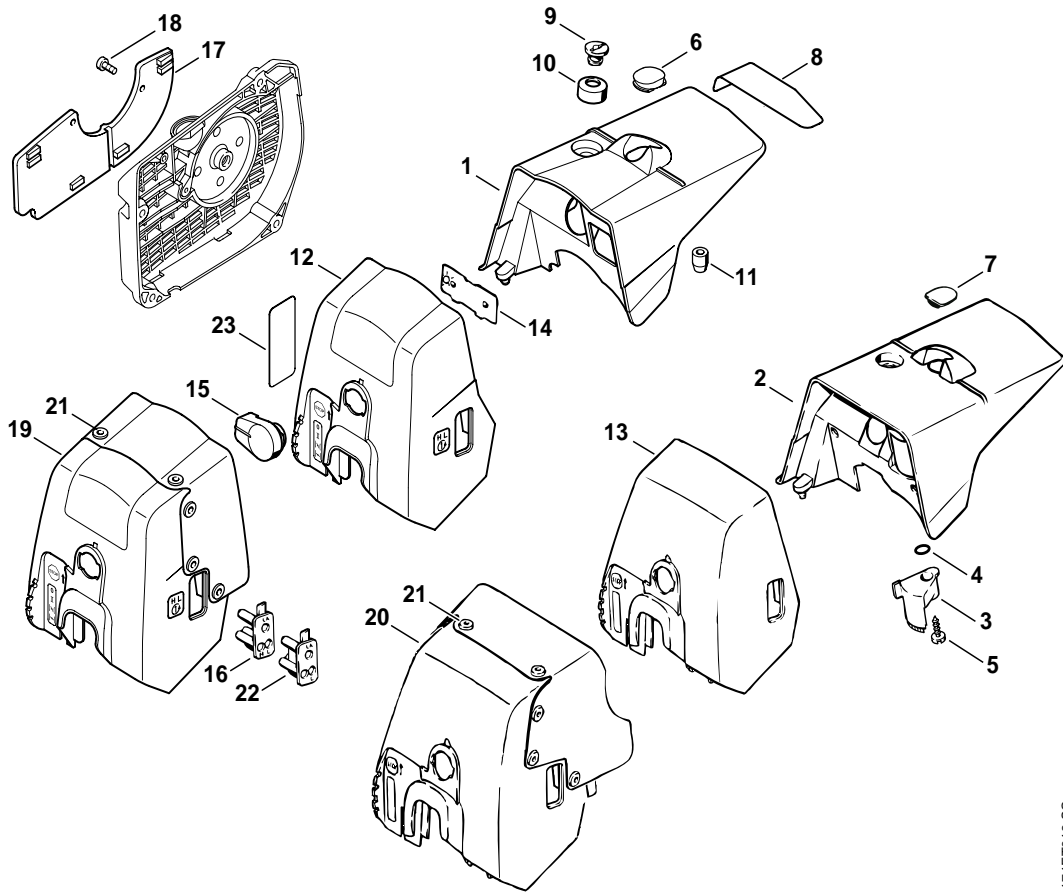
not for reprint



174ET011 SC

Ref. ID	Part Number	Qty.	Part Name
	1125 120 0609	1	Carburetor C3A-S27D (3) □ 1 - 35
1	1128 122 7700	1	Oval head screw (3)
2	1128 122 1502	1	Washer (3)
3	1128 122 9301	1	Clip (3)
4	1125 430 0500	1	Switch (3)
5	1128 122 1501	1	Washer (3)
6	1125 121 0807	1	End cover (3)
7	1125 129 0900	1	Gasket (3)
8	1128 121 4802	1	Pump diaphragm (3)
9	1123 121 7800	1	Strainer (3)
10	1125 121 5408	1	Valve jet 0.58 (3)
11	1123 121 0700	1	Cup plug (3)
12	4116 121 5100	1	Inlet needle (3)
13	1120 122 3004	1	Spring (3)
14	1125 121 5000	1	Inlet control lever (3)
15	1120 121 9200	1	Spindle (3)
16	1120 122 6600	1	Collar screw (3)
17	1125 129 0901	1	Gasket (3)
18	1125 121 4700	1	Metering diaphragm (3)
19	1125 121 0805	1	End cover (3)
20	1120 122 6601	4	Collar screw (3)
21	1125 122 4200	1	Ball (3)
22	1125 121 3301	1	Throttle shutter (3)
23	1125 122 7402	1	Round head screw (3)
24	1125 122 3202	1	Torsion spring (3)
25	1125 120 7101	1	Throttle shaft with lever (3)
26	1125 122 9001	1	E-clip (3)
27	1125 122 3203	1	Torsion spring (3)
28	1125 120 7201	1	Choke shaft with lever (3)
29	1125 122 9003	1	E-clip (3)
30	1125 122 6200	1	Idle speed adjustment screw (3)
31	1120 122 3005	2	Spring (3)
32	1125 122 6702	1	High speed adjustment screw (3)
33	1125 122 6802	1	Low speed adjustment screw (3)
34	1125 121 2901	1	Choke shutter (3)
35	1125 122 7403	1	Round head screw (3)
36	1125 121 5409	1	Valve jet 0.56 High altitude (B) (3)
	1128 007 1065	1	Set of carburetor parts (3) □ 7 - 18, 17, 18

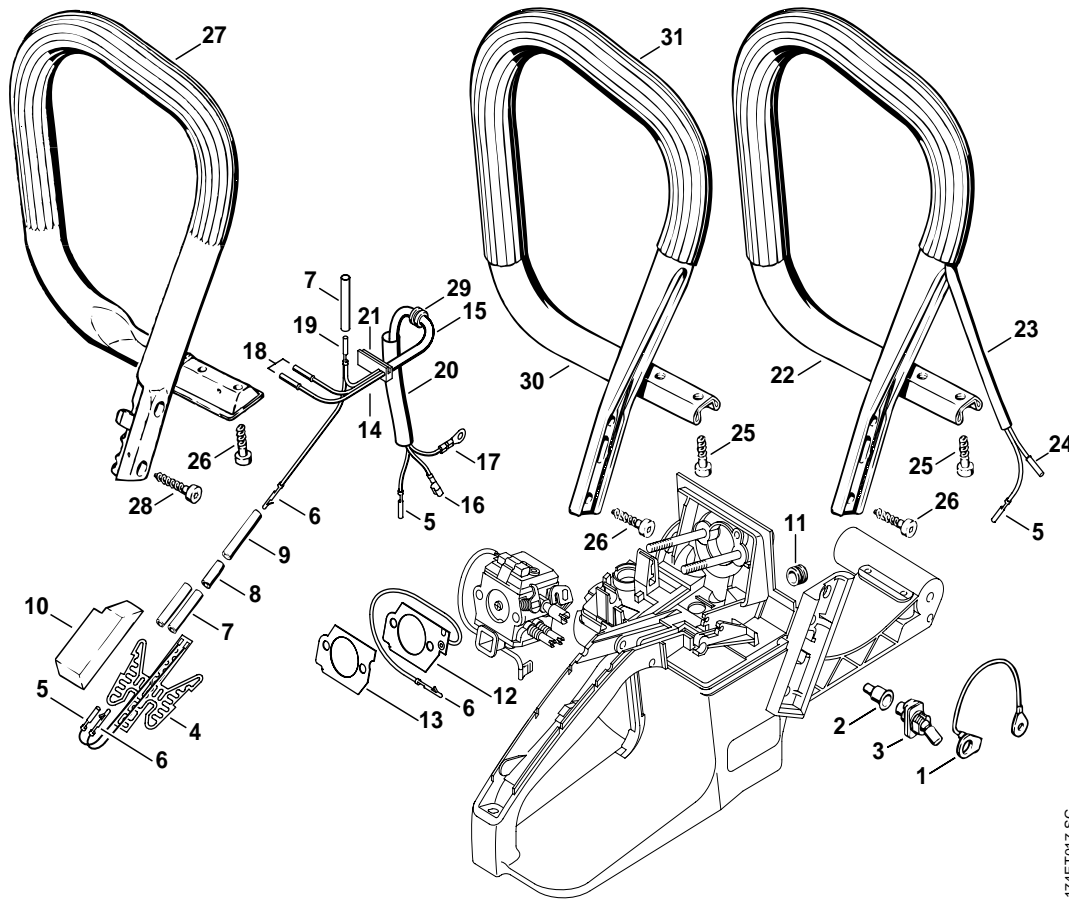
(1) MS 360, (2) MS 360 W, (3) MS 360 WVH,  
(4) MS 360 PRO, (5) MS 360 Arctic, (6) MS 360 BR



Ref. ID	Part Number	Qty.	Part Name
1	1125 080 1622	1	Shroud □ 6, 8 - 11
2 *	1125 080 1620	1	Shroud (44.2002) □ 3 - 5, 7 - 10
3 *	1125 080 8000	1	Shutter (44.2002)
4 *	9646 945 0590	1	O-ring 8x2 (44.2002)
5 *	9099 021 3760	1	Self-tapping screw 4.8x13 (44.2002)
6	1125 084 7100	1	Cap
7 *	1122 084 7100	1	Cap (44.2002)
8	1128 792 0900	1	Reflector foil
9	1121 084 7000	1	Slotted nut
10	1121 084 6901	1	Insulator
11	1121 084 7100	1	Cap
12	1125 140 1913	1	Carburetor box cover □ 14, 15
13 *	1125 140 1903	1	Carburetor box cover (44.2002) □ 14, 15
14	1121 141 2900	1	Cover
15	1130 141 2300	1	Twist lock
	1125 007 1024	1	Intake air preheating kit (B) □ 14 - 19, 21, 22
16	1125 121 7701	1	Guide piece (B) (4,5)
17	1125 084 8203	1	Cover plate (B)
18	9041 216 0650	1	Pan head screw M4x10 (B)
19	1125 140 1912	1	Carburetor box cover (B) □ 14, 15, 21, 22
20 *	1125 140 1907	1	Carburetor box cover (B) (44.2002) □ 14, 15, 21, 22
21	9438 929 4040	1	Blind rivet 5x8 (B)
22	1125 121 7700	1	Guide piece (B) (1,2,3)
23	0000 967 3605	1	Instruction label (4,5)

174ET019 SC

(1) MS 360, (2) MS 360 W, (3) MS 360 WVH,  
(4) MS 360 PRO, (5) MS 360 Arctic, (6) MS 360 BR

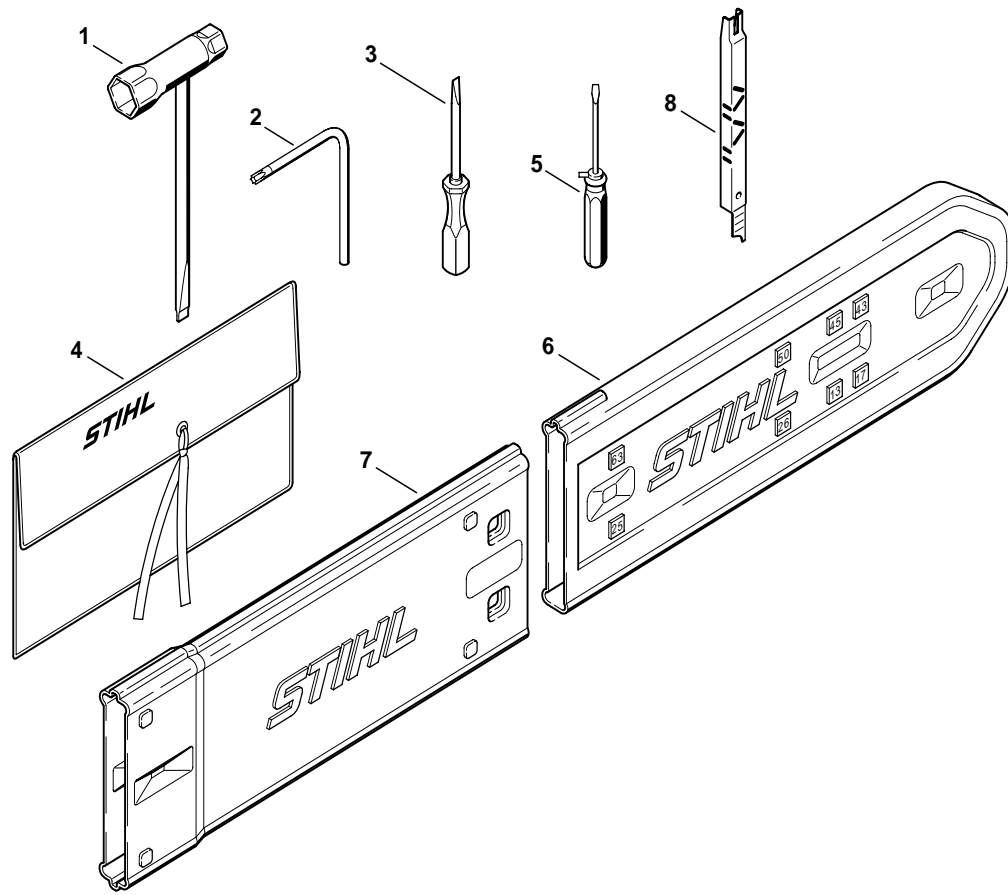


174ET017 SC

Ref. ID	Part Number	Qty.	Part Name
1	1121 440 2201	1	Ground wire (2,3,5)
2	1110 432 9200	1	Grommet (2,3,5)
3	1110 430 0202	1	Stop switch (2,3,5)
4	1128 434 5000	1	Heating element (2,3,5) □ 5, 6
5	1118 431 6700	1	Terminal socket (2,3,5)
6	1118 431 6600	1	Terminal pin (2,3,5)
7	1121 442 0402	3	Insulating hose 35mm / 1.4" (2,3,5)
8	1125 442 0401	1	Hose 15mm / 5/8" (2,3,5)
9	1121 442 0406	1	Insulating hose 40mm / 1.6" (2,3,5)
10	1121 791 9000	1	Clamp (2,3,5)
11	0000 989 0815	1	Grommet (2,3,5)
12	1128 434 5101	1	Heating element (3,5) □ 6
13	1125 121 9900	1	Heater plate (3,5)
14	1125 440 3000	1	Wiring harness (3,5) □ 5, 6, 15 - 21
15	1123 442 0400	1	Hose (3,5)
16	0751 030 8957	1	Terminal socket 4.8-1/0.8 (3,5)
17	0751 030 8969	1	Terminal socket A5-1.5 (3,5)
18	1119 442 7000	2	Contact sleeve (3,5)
19	0751 030 8373	1	Terminal socket 1-2.5 (3,5)
20	1125 442 0400	1	Insulating hose 120mm / 4.7" (3,5)
21	1125 123 7500	1	Grommet (3,5)
22	1125 790 1702	1	Handlebar (2,3,5) □ 5, 23, 24
23	1124 442 0400	1	Insulating hose 160mm / 6.3" (2,3,5)
24	1110 442 7000	1	Contact sleeve (2,3,5)
25	9074 478 4435	2	Pan head self-tapping screw IS P6x19 (2,3,5,6)
26	9074 478 4475	2	Pan head self-tapping screw IS P6x21.5 (2,3,5,6)
27	1125 790 1750	1	Handlebar (1,4) □ 26, 28
28	9074 478 4675	2	Pan head self-tapping screw IS P6x32.5 (1,4)
29	1125 084 8900	1	Grommet
30	1125 790 1751	1	Handlebar (B) (6) □ 25, 26, 31
31	0000 791 2009	1	Handle hose Ø 19mm x 5m / 3/4x197" (B) (6)

(1) MS 360, (2) MS 360 W, (3) MS 360 WVH,  
(4) MS 360 PRO, (5) MS 360 Arctic, (6) MS 360 BR





Ref. ID	Part Number	Qty.	Part Name
	1121 890 1400	1	Tool kit □ 1 - 5
1	1129 890 3401	1	Combination wrench
2	0812 370 1000	1	Screwdriver T27x120x70
3	0000 890 2300	1	Screwdriver (1,2,3,4,5)
4	0000 891 0801	1	Tool roll (1,2,3,4,5)
5	0000 890 2305	1	Screwdriver (6)
6	0000 792 9129	1	Chain scabbard
7	0000 792 9132	1	Chain scabbard extension up to 63 cm (B)
8	1110 893 4000	1	Filing gauge (B)
	1121 900 5004	1	STIHL repair kit ElastoStart (B)

(1) MS 360, (2) MS 360 W, (3) MS 360 WVH,  
 (4) MS 360 PRO, (5) MS 360 Arctic, (6) MS 360 BR

178ET014 SC

not for reprint