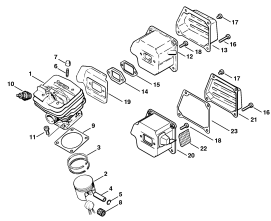
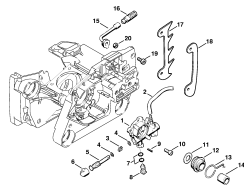


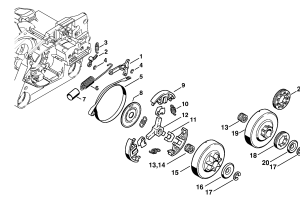
Crankcase, Chain tensioner



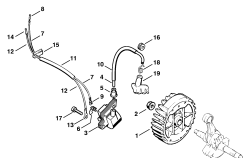
Cylinder, Muffler



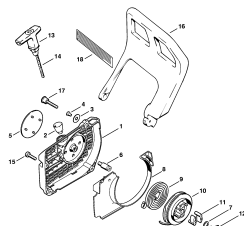
Oil pump



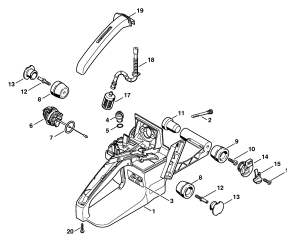
Chain brake, Clutch



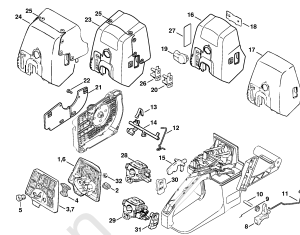
Ignition system



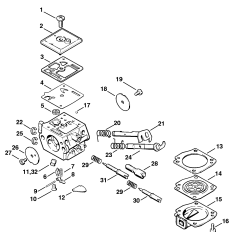
Rewind starter



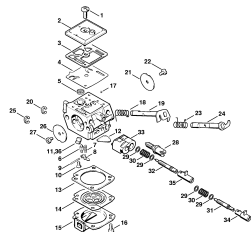
Tank housing, AV-System



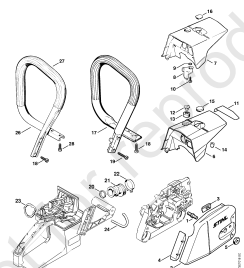
Air filter, Throttle control



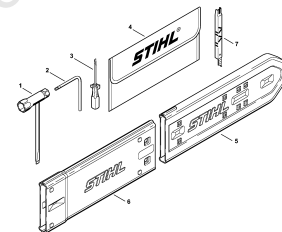
Carburetor C3A-S31



Carburetor C3A-S39



Chain sprocket cover, Handlebar

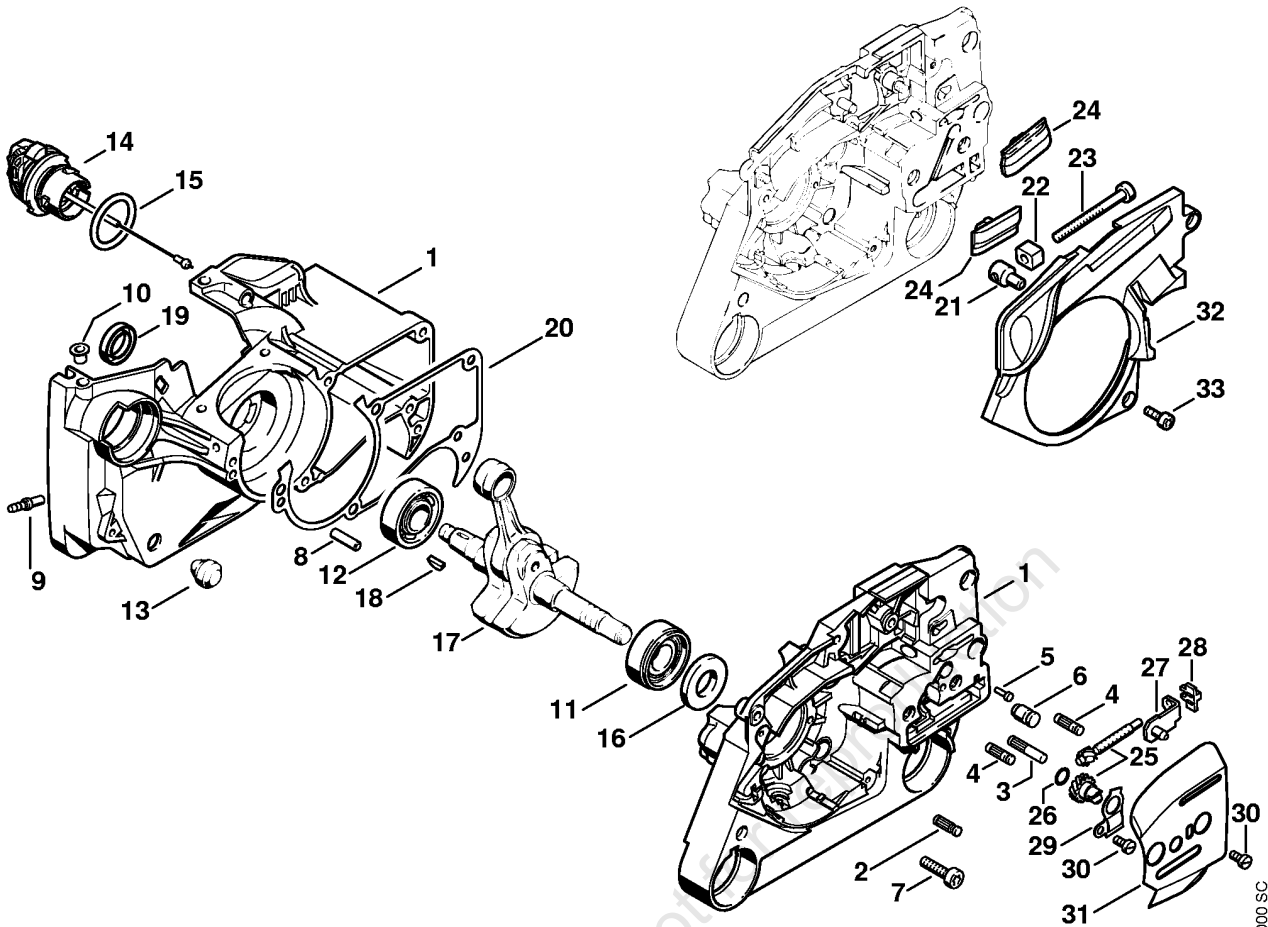


Tools, Extras

Description	Technical Information
Crankcase, Chain tensioner	
Cylinder, Muffler	
Oil pump	
Chain brake, Clutch	
Ignition system	
Rewind starter	
Tank housing, AV-System	
Air filter, Throttle control	
Carburetor C3A-S31	
Carburetor C3A-S39	
Chain sprocket cover, Handlebar	
Tools, Extras	

online version, not for reproduction

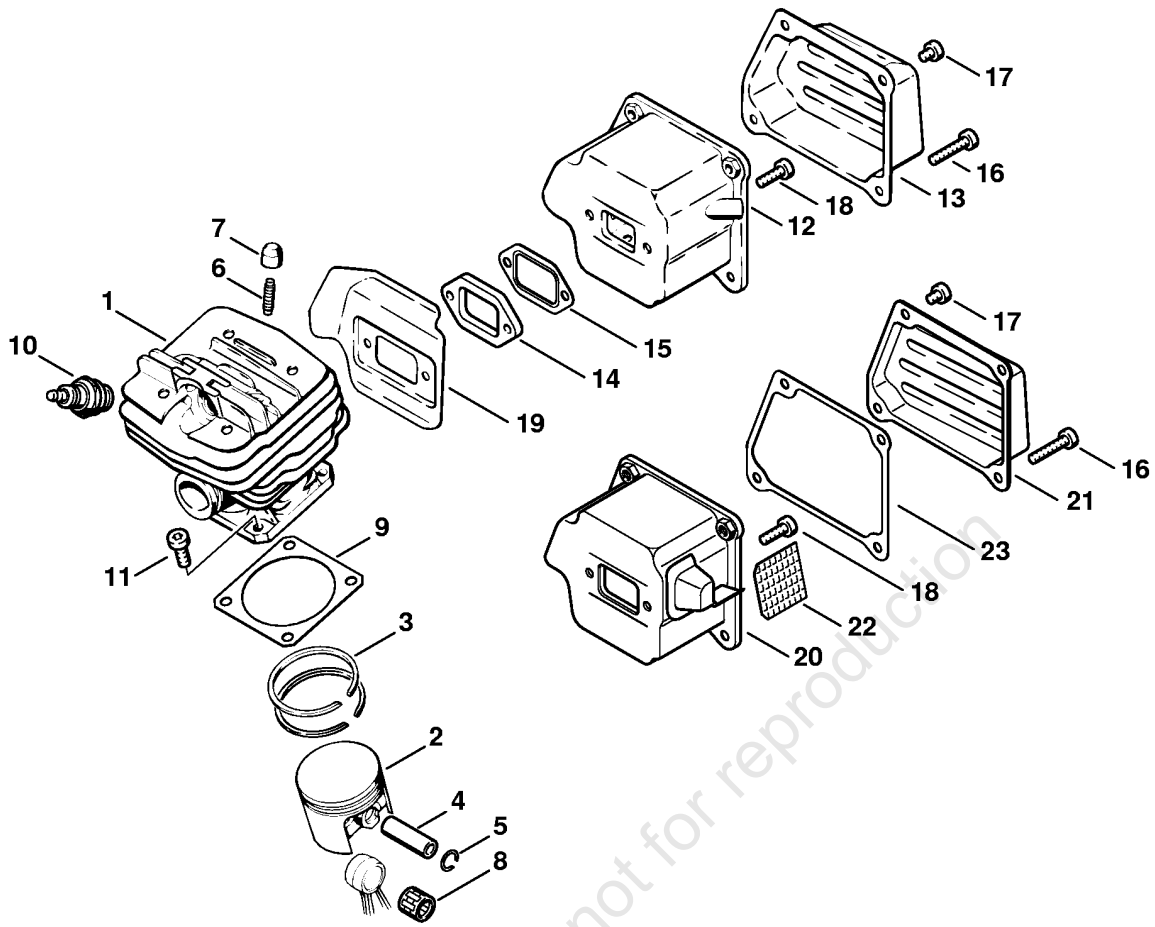
Crankcase, Chain tensioner



173ET000 SC

Crankcase, Chain tensioner

Reference	Item number	Qty	Description	Contains	Technical Information
1	1125 020 2120	1	Crankcase	2 - 13	
2	1120 162 5200	1	Pin		
3	1121 162 5205	1	Pin		
4	1121 162 5200	2	Pin		
5	0000 974 1200	1	Notched pin 2.6x8		
6	1128 640 9100	1	Valve		
7	9022 371 1020	5	Spline screw IS-M5x20		
8	9371 470 2610	2	Cylindrical pin 5x18		
9	0000 988 5211	1	Connector		
10	9416 868 6531	2	Hollow rivet 6.5x0.5x6.8		
11	9523 003 4266	1	Grooved ball bearing 15x35x13		
12	9503 003 0346	1	Grooved ball bearing 6202		
13	1125 791 2810	1	Stop buffer		
14	0000 350 0537	1	Filler cap	15	
15	9645 948 2470	1	O-ring 23x3		
16	9640 003 1600	1	Oil seal 15x29.6x4		
17	1125 030 0407	1	Crankshaft	18	25.2005
18	1120 036 8500	1	Woodruff key 2x3.7		
19	9640 003 1190	1	Oil seal 12x20x5		
20	1125 029 0500	1	Gasket		
21	1120 664 1500	1	Tensioning nut		
22	1121 664 2800	1	Guide piece		
23	9043 319 8100	1	Pan head screw M5x50		
24	1121 648 6610	2	Bumper strip		
25	1125 007 1021	1	Spur gear / chain adjusting screw kit (B)	26	
26	9646 945 0490	1	O-ring 7x1.5		
27	1125 640 1900	1	Tensioner slide		
28	1125 664 1400	2	Thrust pad		
29	1122 664 2200	1	Cover plate		
30	9041 216 0630	2	Pan head screw M4x8		
31	1122 664 1000	1	Inner side plate 0.5 mm		
32	1125 021 1101	1	Cover (B)		
33	9022 313 0660	3	Spline screw IS-M4x12		
	1125 007 1050	1	Set of gaskets	16, 19, 20	



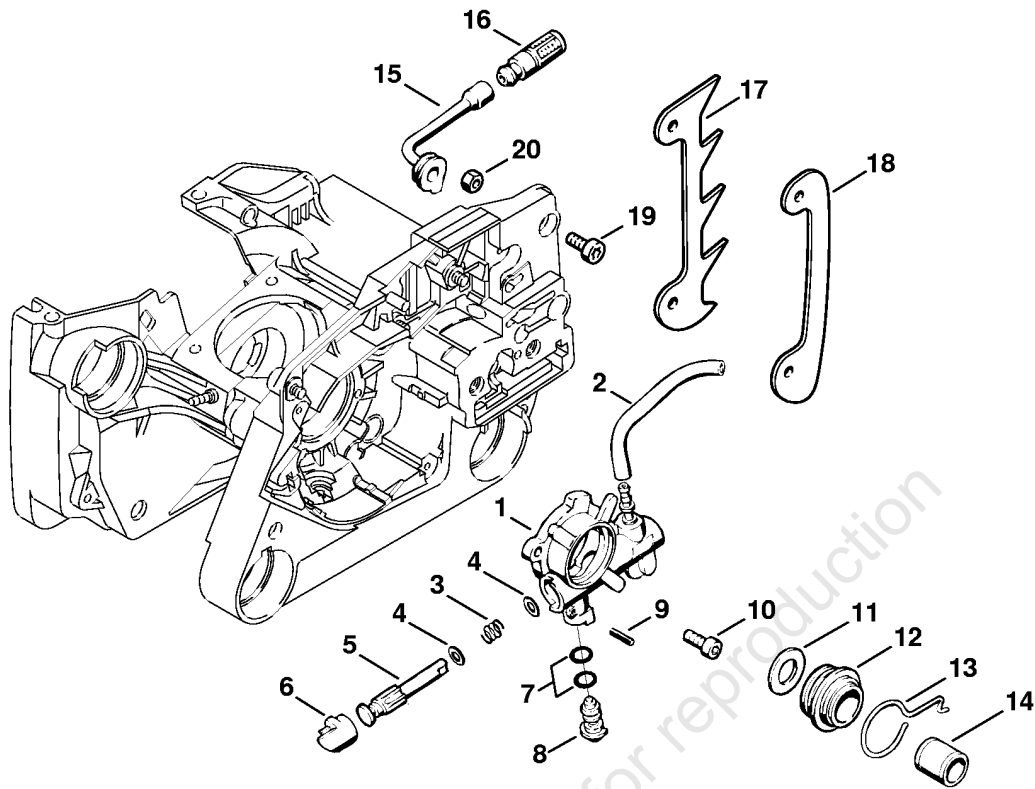
online version, not for reproduction

173ET001 SC

Cylinder, Muffler

Reference	Item number	Qty	Description	Contains
1	1125 020 1209	1	Cylinder with piston Ø 46 mm	2 - 6
2	1125 030 2002	1	Piston Ø 46 mm	3 - 5
3	1125 034 3003	2	Piston ring Ø 46x1.2 mm	
4	1110 034 1500	1	Piston pin 10x6x32	
5	9463 650 1000	2	Snap ring 10	
6	0000 953 0818	2	Stud M5	
7	1121 084 7100	1	Cap	
8	9512 003 2340	1	Needle cage 10x14x13	
9	1119 029 2301	1	Cylinder gasket 0.5 mm	
10	1110 400 7005	1	Spark plug Bosch WSR 6 F	
10	0000 400 7000	1	Spark plug NGK BPMR7A	
11	9022 371 1020	4	Spline screw IS-M5x20	
	1125 140 0650	1	Muffler	12 - 17
12	1125 140 0607	1	Muffler	13
13	1125 145 0804	1	Exhaust casing	
14	1122 145 1200	1	Flange	
15	1125 149 0601	1	Muffler gasket	
16	9022 371 1050	2	Spline screw IS-M5x25	
17	9022 341 0910	2	Spline screw IS-M5x6	
18	9022 371 1020	2	Spline screw IS-M5x20	
19	1125 141 3200	1	Cooling plate	
20	1125 140 0606	1	Muffler CDN	21, 22
21	1125 145 0805	1	Exhaust casing CDN	
22	1125 141 9001	1	Screen CDN	
23	1125 149 0500	1	Gasket CDN	
	1125 007 1050	1	Set of gaskets	9, 15

Oil pump



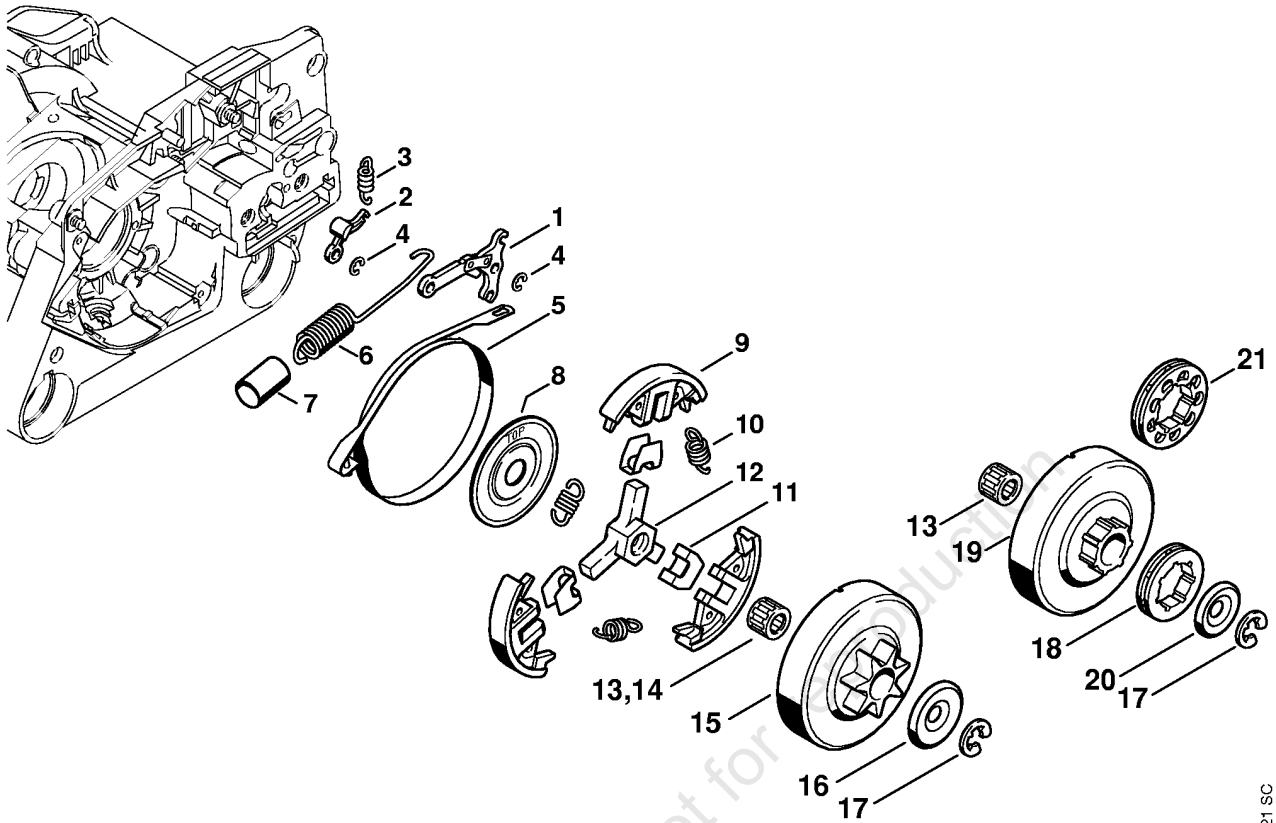
online version, not for reproduction

173ET017 GM

Oil pump

Reference	Item number	Qty	Description	Contains
	1125 640 3201	1	Oil pump	1 - 9
1	1125 640 3001	1	Pump housing	
	1124 007 1010	1	Oil hose kit	2
2		1	Oil hose 3,1x5,7x300 mm (D)	
3	0000 997 0629	1	Compression spring	
4	0000 958 0611	2	Washer	
5	1125 647 0604	1	Pump piston	
6	1125 647 7002	1	Plug	
7	9646 945 0160	2	O-ring 4x2	
8	1128 647 4806	1	Control bolt	
9	9380 620 1090	1	Roll pin 2x10	
10	9022 313 0660	2	Spline screw IS-M4x12	
11	1125 647 7800	1	Washer	
12	1125 640 7110	1	Worm	13
13	1125 647 2400	1	Spring	
14	0000 993 0510	1	Ring	
15	1122 647 9400	1	Hose	
16	1117 640 3800	1	Pickup body	
17	1110 664 0501	1	Bumper spike	
18	0000 664 0700	1	Limit stop (B)	
19	9022 341 0960	2	Spline screw IS-M5x12	
20	9214 320 0700	1	Lock nut M5	

Chain brake, Clutch

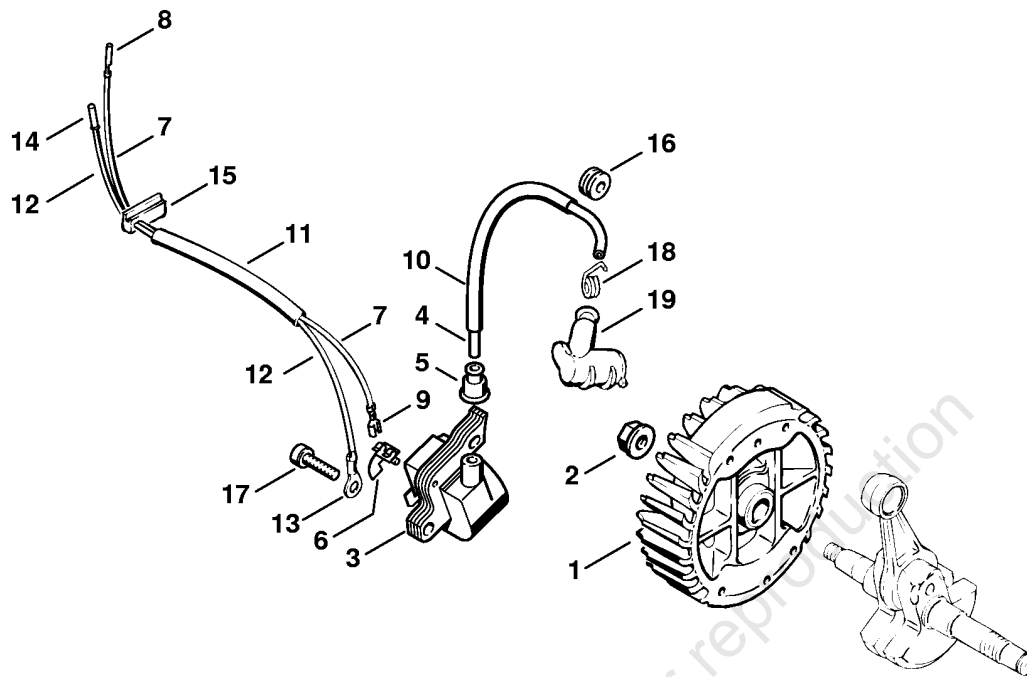


173ET021 SC

Chain brake, Clutch

Reference	Item number	Qty	Description	Contains
1	1121 160 5000	1	Lever	
2	1121 162 5010	1	Lever	
3	0000 997 0628	1	Spring	
4	9460 624 0400	2	E-clip 4	
5	1125 160 5400	1	Brake band	
6	1121 160 5500	1	Tension spring	7
7	1125 162 8002	1	Hose 20 mm / 13/16"	
	1127 160 2051	1	Clutch	8 - 12
8	1127 162 1000	1	Cover washer	
9	1125 162 0802	3	Clutch shoe	
10	0000 997 0909	3	Tension spring	
11	1127 162 3000	3	Retainer	
12	1127 162 3200	1	Carrier	
13	9512 933 2380	1	Needle cage 10x16x12	
14	9512 933 2381	1	Needle cage 10x16x12 (B) CDN	
15	1125 640 2006	1	Chain sprocket 3/8" 7T	
16	0000 958 1022	1	Washer Ø 27 mm	
17	9460 624 0801	1	E-clip 8x1.3	
	1125 007 1041	1	Rim sprocket kit 3/8" 7T (B) CDN	13, 17 - 20
18	0000 642 1223	1	Rim sprocket 3/8" 7T (B) CDN	
19		1	Clutch drum (B,D) CDN	
20	0000 958 1022	1	Washer Ø 27 mm (B) CDN	
	1125 007 1003	1	Rim sprocket kit 0.325" 9T (B)	13, 17, 19 - 21
21	0000 642 1239	1	Rim sprocket 0.325" 9T (B)	

Ignition system



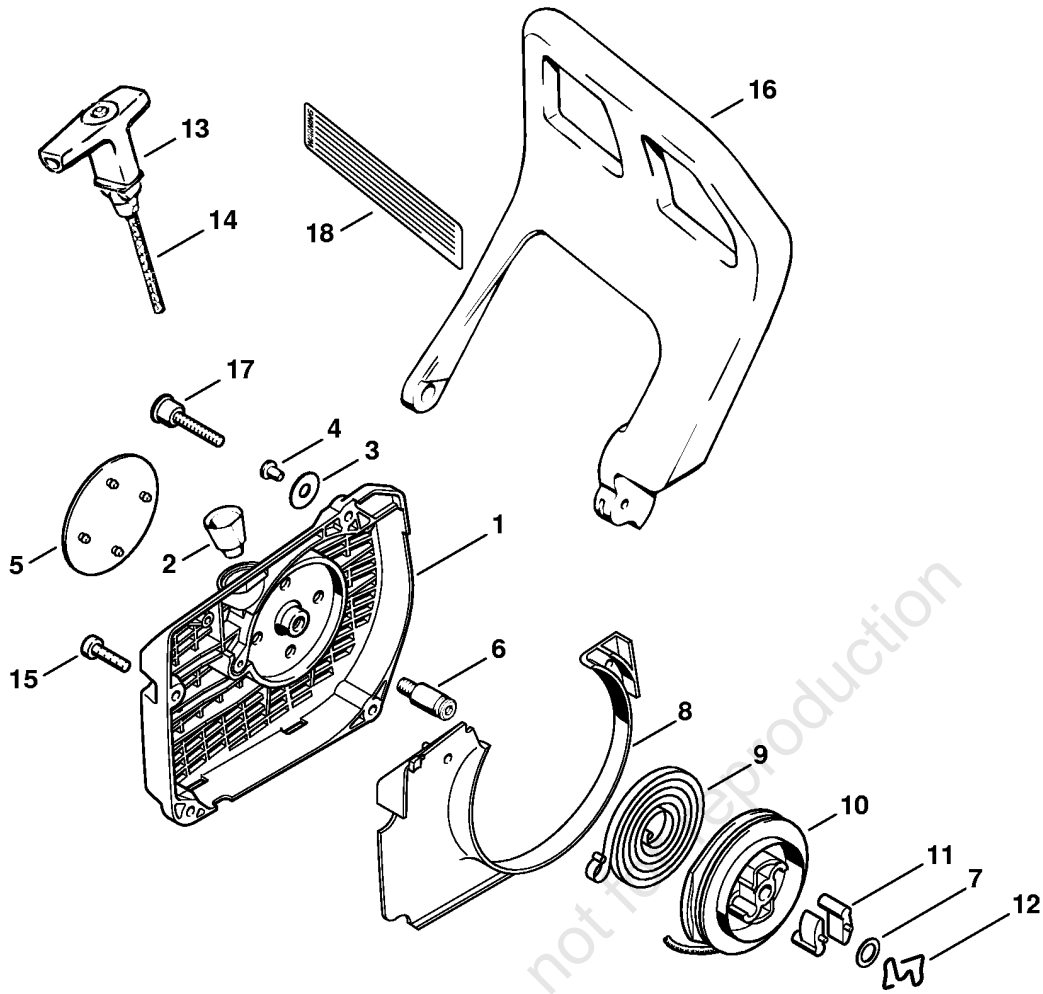
online version, not for reproduction

173ET004-SC

Ignition system

Reference	Item number	Qty	Description	Contains	Technical Information
1	1125 400 1202	1	Flywheel		25.2005
2	0000 955 0802	1	Collar nut M8x1		
3	0000 400 1300	1	Ignition module	4 - 6	
4		1	Ignition lead 195 mm		
	0000 405 0600	1	Ignition lead 1 m (B)		
	0000 930 2251	1	Ignition lead 10 m (B)		
5	0000 989 1010	1	Grommet		
6	0000 448 1250	1	Lead retainer		
7	1125 440 1100	1	Short circuit wire 270 mm / 10.6"	8, 9	
8	1119 442 7000	1	Contact sleeve (C)		
9	0751 030 8953	1	Terminal socket 4.8-1 (C)		
10	1117 442 0905	1	Insulating hose 110 mm / 4.3"		
11	1125 442 0400	1	Insulating hose 120 mm / 4.7"		
12	1125 440 2200	1	Ground wire	13, 14	
13	0751 030 8969	1	Terminal socket A5-1.5 (C)		
14	1110 442 7000	1	Contact sleeve (C)		
15	1125 123 7500	1	Grommet		
16	1125 084 8900	1	Grommet		
17	9022 341 1019	2	Spline screw IS-M5x20		
18	0000 998 0604	1	Spark plug contact spring		
19	1128 405 1000	1	Spark plug boot		

Rewind starter



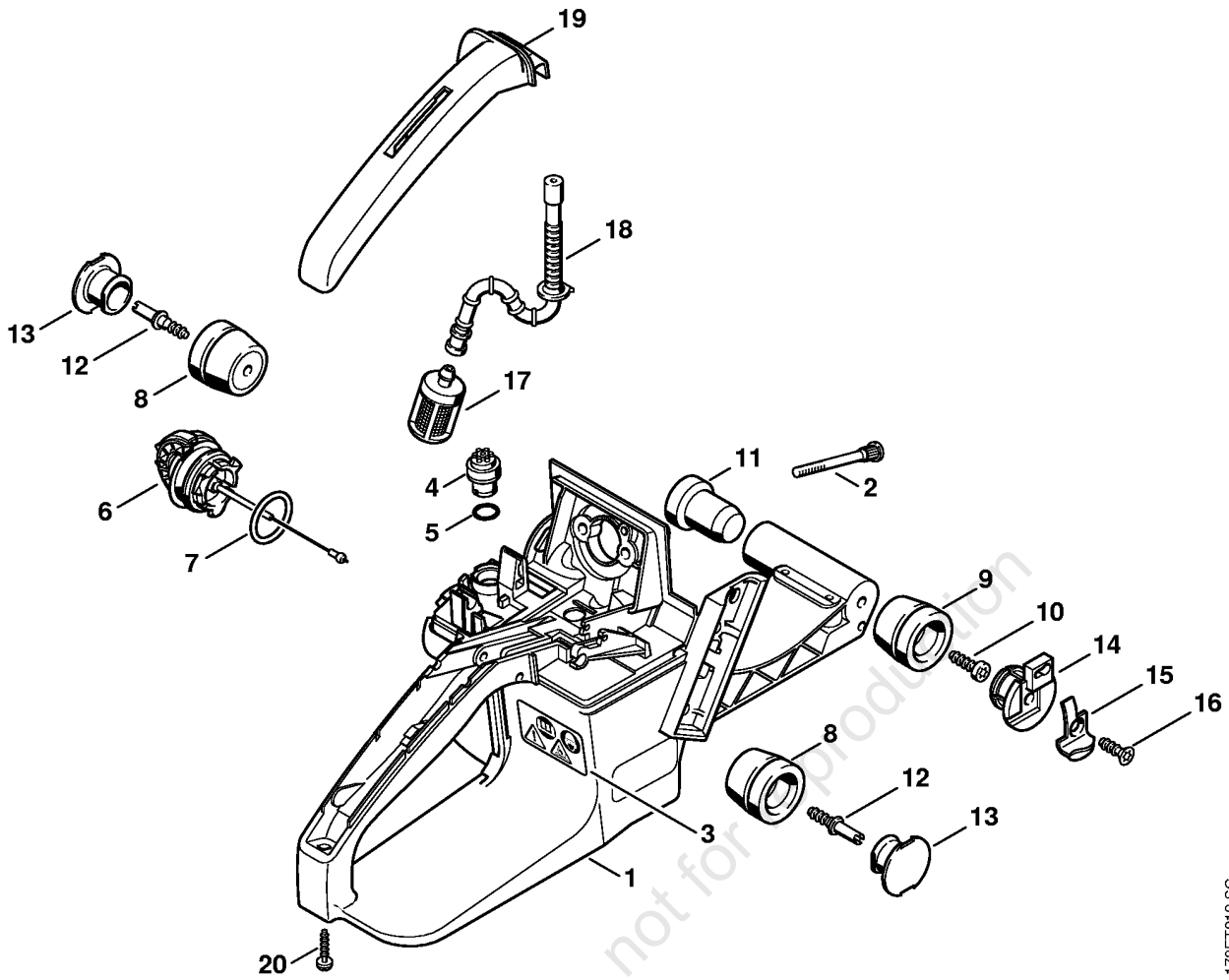
online version, not for production

173ET019 SC

Rewind starter

Reference	Item number	Qty	Description	Contains
	1125 080 2105	1	Fan housing with rewind starter	1 - 14
1	1125 080 1830	1	Fan housing	2 - 8
2	1110 084 9102	1	Bushing	
3	0000 958 0601	1	Washer	
4	9416 868 6530	1	Hollow rivet 6.5x0.5x6.8	
5	1125 967 1504	1	Model plate MS 340	
6	1128 080 6500	1	Axle	7
7	0000 958 0923	1	Washer	
8	1125 084 7801	1	Segment	
9	1129 190 0601	1	Rewind spring	
10	1128 195 0400	1	Rope rotor	
11	1125 195 7200	2	Pawl	
12	1128 195 3500	1	Spring	
13	1128 190 3400	1	Starter grip ElastoStart Ø 3,5 mm	14
14	1128 190 2900	1	Starter rope Ø 3.5 mm	
	0000 930 2267	1	Starter rope Ø 3.5 mm / 28 pieces (B)	
15	9022 371 1020	3	Spline screw IS-M5x20	
16	1125 792 9100	1	Hand guard	
17	0000 790 6103	1	Screw assy. M5	
18	0000 967 3630	1	Instruction label USA	

Tank housing, AV-System

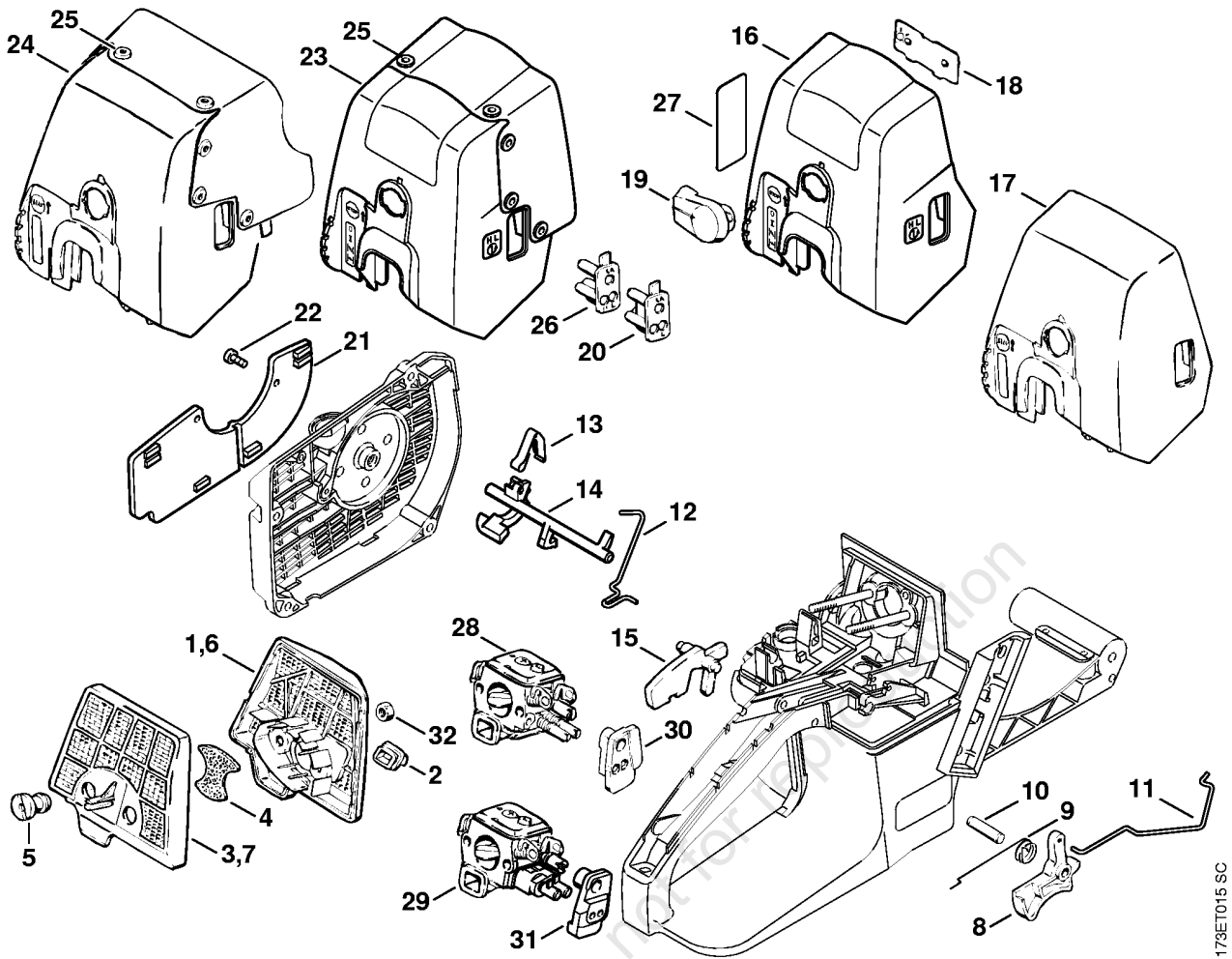


173ET012 SC

Tank housing, AV-System

Reference	Item number	Qty	Description	Contains
1	1125 350 0818	1	Tank housing	2 - 7
2	4116 122 6600	2	Collar screw	
3	0000 967 3662	1	Warning pictogram MS	
4	0000 350 5800	1	Tank vent	5
5		1	O-ring (D)	
6	0000 350 0533	1	Filler cap	7
7	9645 948 7734	1	O-ring 25x3.5	
		1	AV system normal:	
8	1125 790 9904	2	Annular buffer 1125/04	
9	1125 790 9906	1	Annular buffer 1125/06	
		1	AV system hard:	
8	1125 790 9910	2	Annular buffer 1125/10	
9	1125 790 9904	1	Annular buffer 1125/04	
		1	AV system soft:	
8	1125 790 9906	2	Annular buffer 1125/06	
9	1125 790 9906	1	Annular buffer 1125/06	
10	9074 478 4435	1	Pan head self-tapping screw IS-P6x19	
11	1125 791 2805	1	Stop buffer	
12	1125 791 6200	2	Screw	
13	1125 791 7306	2	Plug	
14	1125 791 7300	1	Plug	
15	1125 650 7700	1	Chain catcher	16
16	9104 003 3065	1	Self-tapping screw P6.3x18	
17	0000 350 3518	1	Pickup body	
18	1127 358 7703	1	Hose	
19	1121 791 0600	1	Handle molding	
20	9074 478 3076	1	Pan head self-tapping screw IS-P4x19	

Air filter, Throttle control

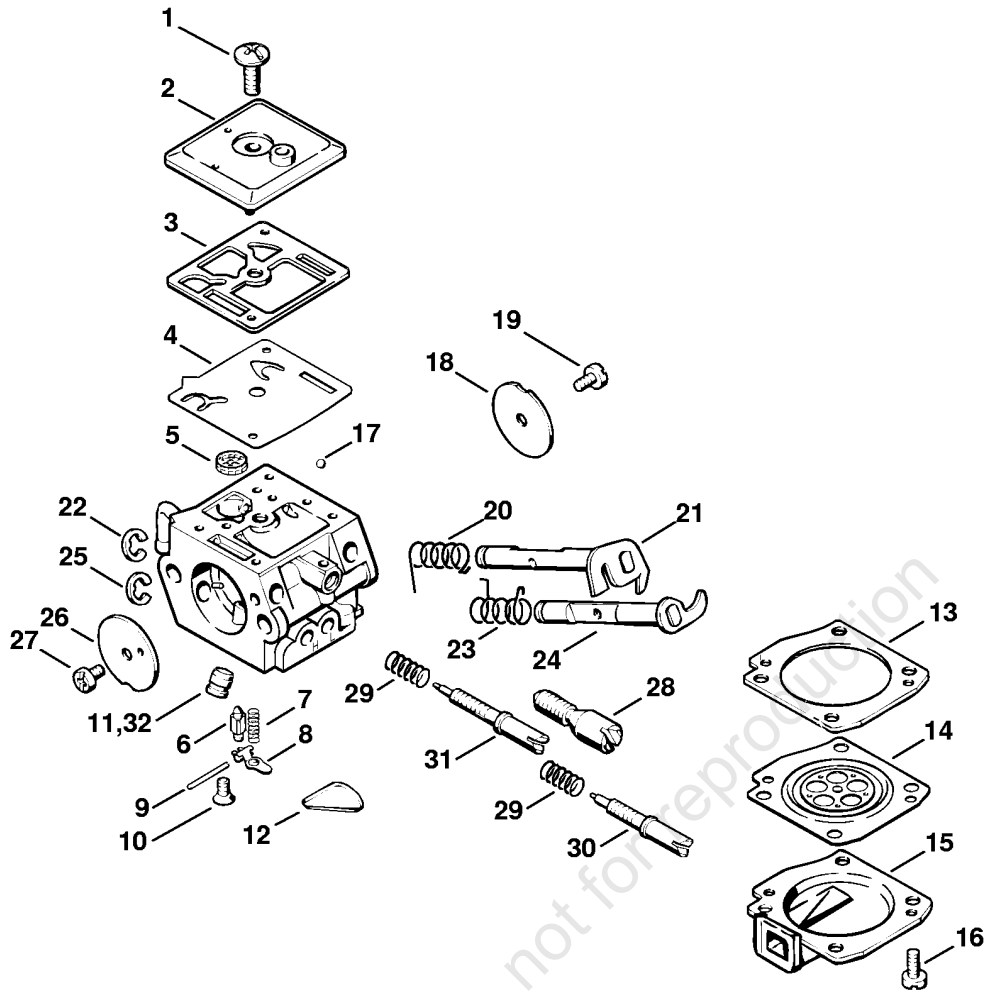


173ET015 SC

Air filter, Throttle control

Reference	Item number	Qty	Description	Contains
	1125 120 1612	1	Air filter	1 - 5
1	1125 120 1602	1	Air filter	2
2	1125 121 9100	1	Bushing	
3	1125 120 1607	1	Air filter	4
4	1125 122 4900	1	Filter insert	
5	1125 141 8300	1	Slotted nut	
	1125 120 1626	1	Air filter, fleece CDN	2, 4 - 7
6	1125 120 1617	1	Air filter, fleece CDN	2
7	1125 120 1622	1	Air filter, fleece CDN	4
8	1118 182 1006	1	Throttle trigger	
9	1117 182 4500	1	Torsion spring	
10	9371 470 2640	1	Cylindrical pin 5x24	
11	1125 182 1502	1	Throttle rod	
12	1125 185 2002	1	Choke rod	
13	1125 442 1601	1	Contact spring	
14	1125 182 0901	1	Switch shaft	
15	1117 182 0805	1	Lockout lever	
16	1125 140 1913	1	Carburetor box cover	18, 19
17	* 1125 140 1903	1	Carburetor box cover	18, 19
18	1121 141 2900	1	Cover	
19	1130 141 2300	1	Twist lock	
	1125 007 1024	1	Intake air preheating kit (B)	18 - 26
20	1125 121 7701	1	Guide piece (B) CDN	
21	1125 084 8203	1	Cover plate (B)	
22	9041 216 0650	2	Pan head screw M4x10 (B)	
23	1125 140 1912	1	Carburetor box cover (B)	18, 19, 25, 26
24	* 1125 140 1907	1	Carburetor box cover (B)	18, 19, 25, 26
25	9438 929 4040	7	Blind rivet 5x8 (B)	
26	1125 121 7700	1	Guide piece (B)	
27	0000 967 3605	1	Warning pictogram Filler cap CDN	
28	1125 120 0613	1	Carburetor C3A-S31G	
29	1125 120 0615	1	Carburetor C3A-S39C CDN	
30	1125 123 7506	1	Grommet	
31	1125 123 7501	1	Grommet CDN	
32	9210 260 0700	2	Hexagon nut M5	

Carburetor C3A-S31

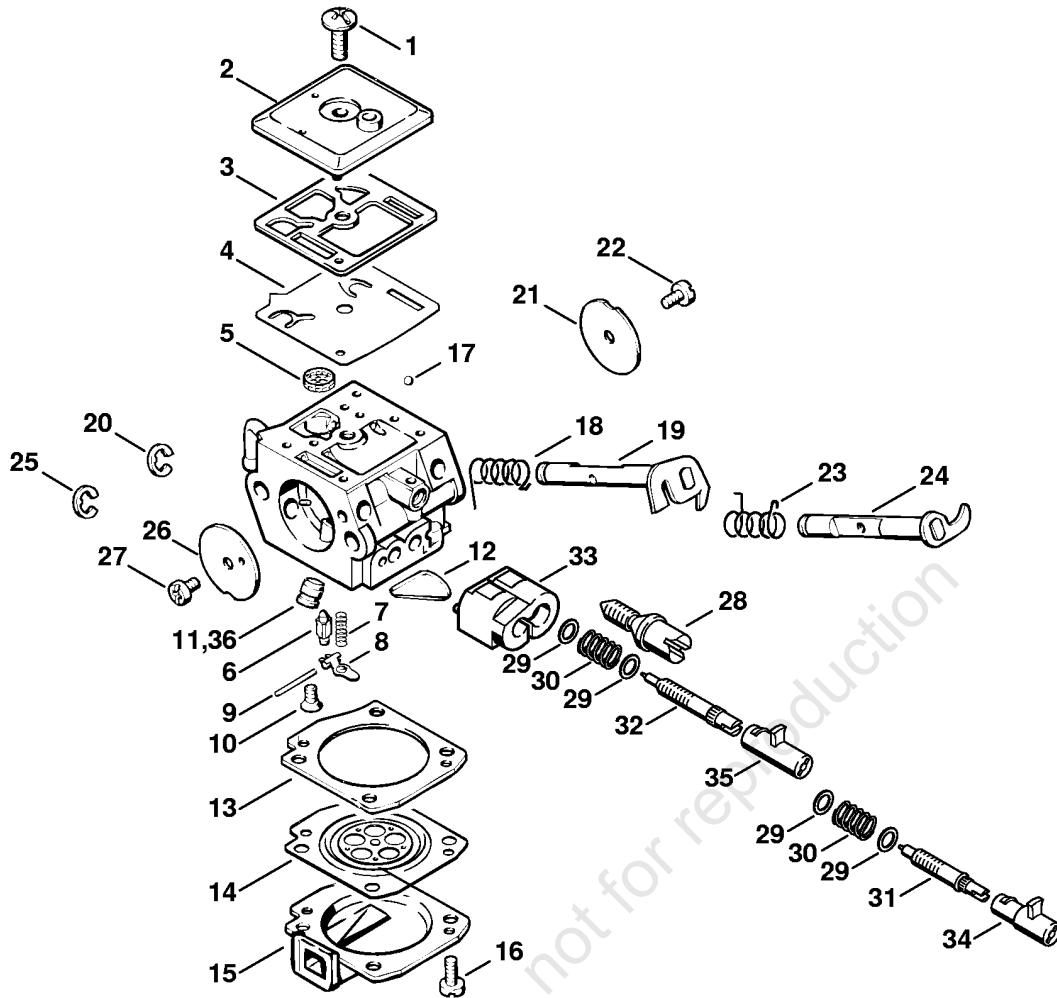


173ET014 SC

Carburetor C3A-S31

Reference	Item number	Qty	Description	Contains
	1125 120 0613	1	Carburetor C3A-S31G	1 - 31
1	1120 122 7800	1	Oval head screw	
2	1125 121 0802	1	End cover	
3	1125 129 0900	1	Gasket	
4	1128 121 4802	1	Pump diaphragm	
5	1123 121 7800	1	Strainer	
6	Z000 018 Z000	1	Inlet needle	
7	1120 122 3004	1	Spring	
8	1125 121 5000	1	Inlet control lever	
9	1120 121 9200	1	Spindle	
10	1120 122 6600	1	Collar screw	
11	1125 121 5408	1	Valve jet 0.58	
12	1123 121 0700	1	Cup plug	
13	1125 129 0901	1	Gasket	
14	1125 121 4700	1	Metering diaphragm	
15	1125 121 0804	1	End cover	
16	1120 122 6601	4	Collar screw	
17	1125 122 4200	1	Clamp	
18	1125 121 3301	1	Throttle shutter	
19	1125 122 7402	1	Round head screw	
20	1125 122 3202	1	Torsion spring	
21	1125 120 7101	1	Throttle shaft with lever	
22	1125 122 9001	1	E-clip	
23	1125 122 3203	1	Torsion spring	
24	1125 120 7201	1	Choke shaft with lever	
25	1125 122 9003	1	E-clip	
26	1125 121 2901	1	Choke shutter	
27	1125 122 7403	1	Round head screw	
28	1125 122 6200	1	Idle speed screw	
29	1120 122 3005	2	Spring	
30	1125 122 6702	1	High speed screw	
31	1125 122 6802	1	Low speed screw	
32	1125 121 5409	1	Valve jet 0.56 (B) High altitude	
	1128 007 1065	1	Set of carburetor parts	3 - 8, 13, 14

Carburetor C3A-S39

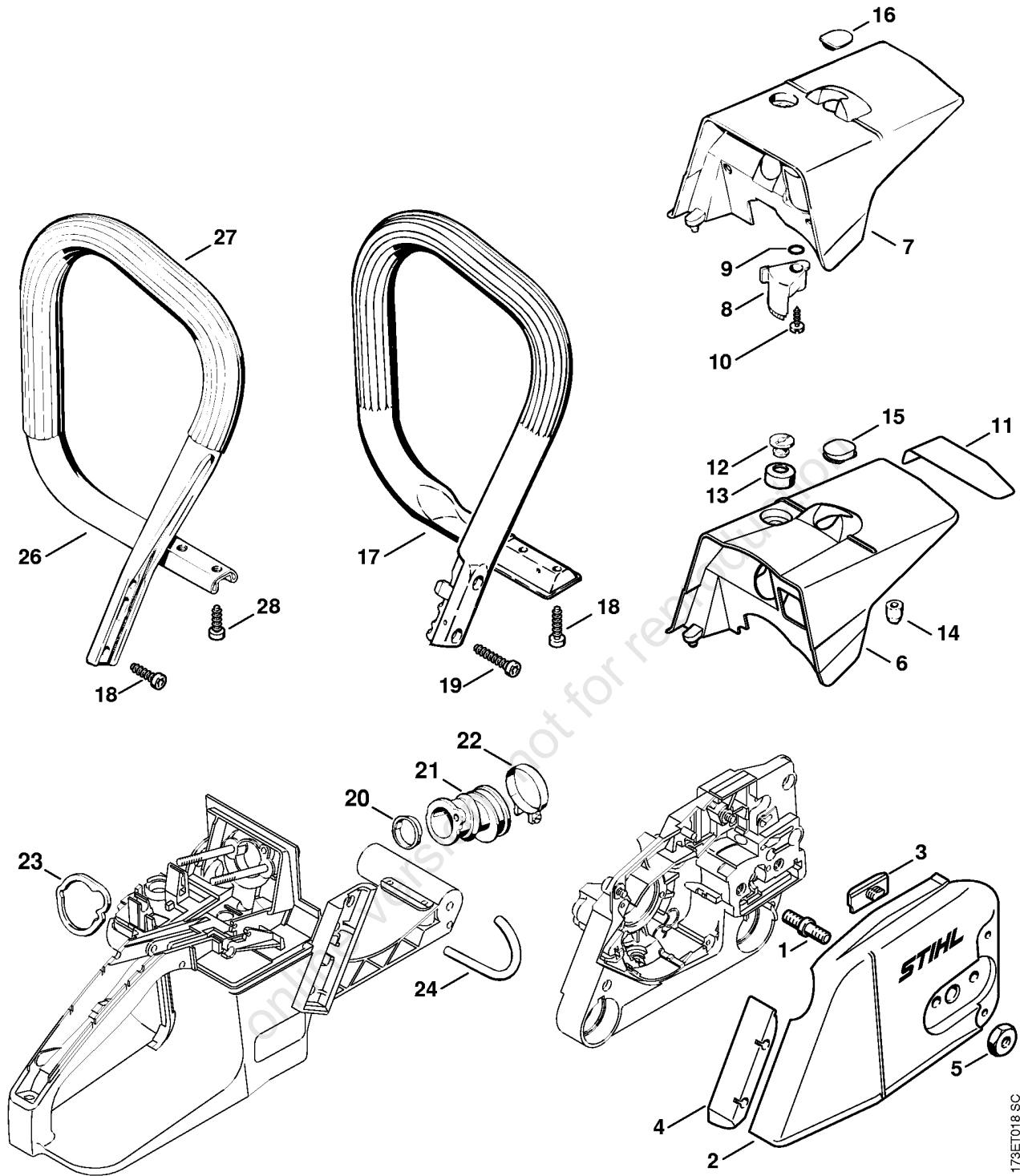


173ET011 SC

Carburetor C3A-S39

Reference	Item number	Qty	Description	Contains
	1125 120 0615	1	Carburetor C3A-S39C CDN	1 - 35
1	1120 122 7800	1	Oval head screw CDN	
2	1125 121 0802	1	End cover CDN	
3	1125 129 0900	1	Gasket CDN	
4	1128 121 4802	1	Pump diaphragm CDN	
5	1123 121 7800	1	Strainer CDN	
6	Z000 018 Z000	1	Inlet needle CDN	
7	1120 122 3004	1	Spring CDN	
8	1125 121 5000	1	Inlet control lever CDN	
9	1120 121 9200	1	Spindle CDN	
10	1120 122 6600	1	Collar screw CDN	
11	1125 121 5408	1	Valve jet 0.58 CDN	
12	1123 121 0700	1	Cup plug CDN	
13	1125 129 0901	1	Gasket CDN	
14	1125 121 4700	1	Metering diaphragm CDN	
15	1125 121 0804	1	End cover CDN	
16	1120 122 6601	4	Collar screw CDN	
17	1125 122 4200	1	Clamp CDN	
18	1125 122 3202	1	Torsion spring CDN	
19	1125 120 7101	1	Throttle shaft with lever CDN	
20	1125 122 9001	1	E-clip CDN	
21	1125 121 3301	1	Throttle shutter CDN	
22	1125 122 7402	1	Round head screw CDN	
23	1125 122 3203	1	Torsion spring CDN	
24	1125 120 7201	1	Choke shaft with lever CDN	
25	1125 122 9003	1	E-clip CDN	
26	1125 121 2901	1	Choke shutter CDN	
27	1125 122 7403	1	Round head screw CDN	
28	1125 122 6200	1	Idle speed screw CDN	
29	4135 121 8600	4	Washer CDN	
30	1125 122 3000	2	Spring CDN	
31	1125 122 6703	1	High speed screw CDN	
32	1125 122 6803	1	Low speed screw CDN	
33	1125 122 4600	1	Support CDN	
34	1125 121 2700	1	Cap CDN	
35	1125 121 2701	1	Cap CDN	
36	1125 121 5407	1	Fixed jet 0.56 (B) High altitude	
	1128 007 1065	1	Set of carburetor parts CDN	3 - 8, 13, 14

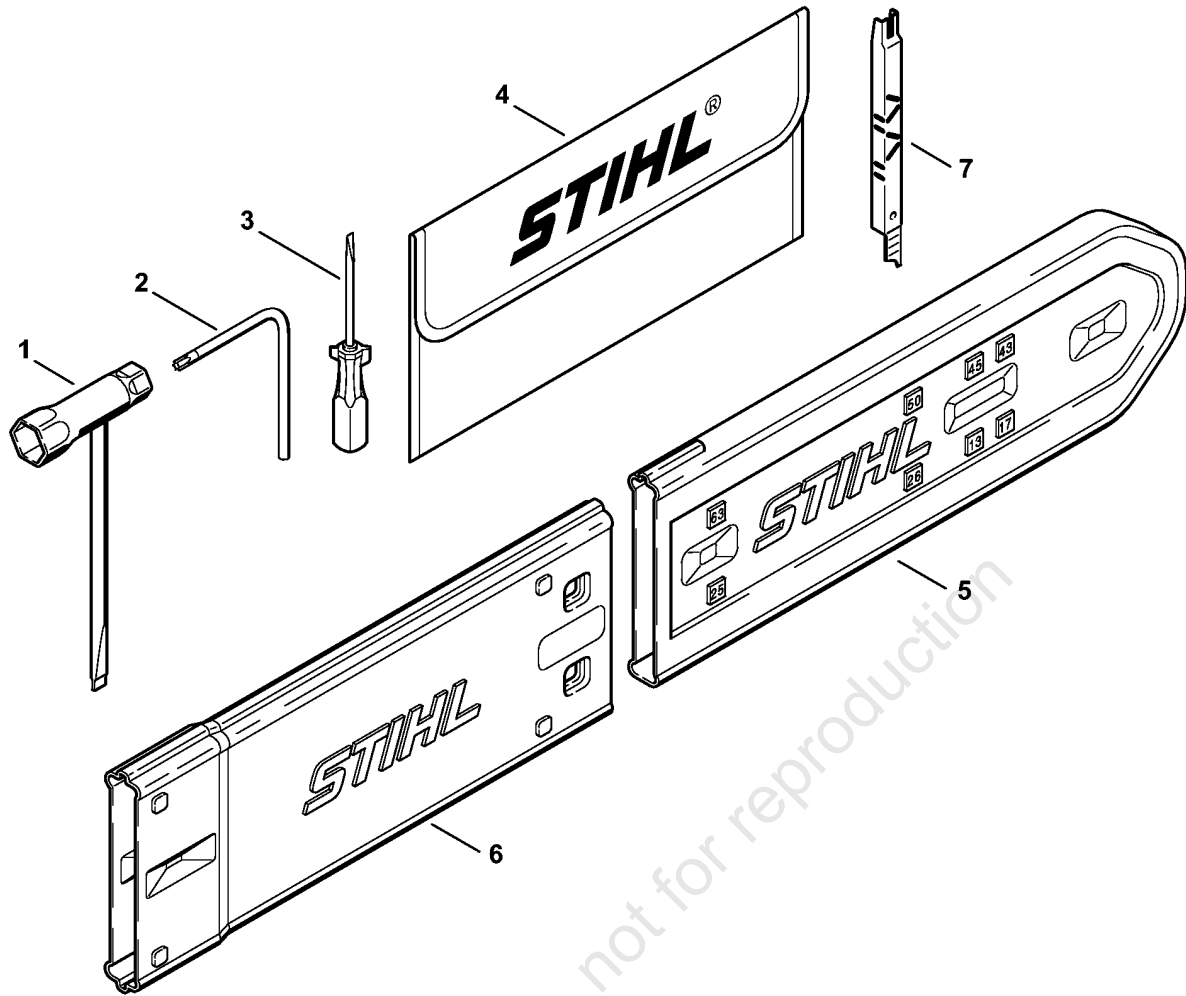
Chain sprocket cover, Handlebar



173ET018 SC

Chain sprocket cover, Handlebar

Reference	Item number	Qty	Description	Contains
1	0000 953 6605	2	Collar screw M8	
2	1125 640 1701	1	Chain sprocket cover	3, 4
3	1121 648 6610	2	Bumper strip	
4	1125 656 1501	1	Guard	
5	0000 955 0801	2	Hexagon nut M8	
6	1125 080 1622	1	Shroud	11 - 15
7	* 1125 080 1620	1	Shroud	8 - 13, 16
8	* 1125 080 8000	1	Shutter	9, 10
9	* 9646 945 0590	1	O-ring 8x2	
10	* 9099 021 3760	1	Self-tapping screw 4.8x13	
11	1128 792 0900	1	Reflector foil	
12	1121 084 7000	1	Slotted nut	
13	1121 084 6901	1	Insulator	
14	1121 084 7100	1	Cap	
15	1125 084 7100	1	Cap	
16	* 1122 084 7100	1	Cap	
17	1125 790 1750	1	Handlebar	18, 19
18	9074 478 4475	2	Pan head self-tapping screw IS-P6x21.5	
19	9074 478 4675	2	Pan head self-tapping screw IS-P6x32.5	
20	1119 141 1800	1	Sleeve	
21	1125 141 2200	1	Manifold	
22	9771 021 2580	1	Hose clip Ø 34x7	
23	1119 121 8600	1	Washer	
24		1	Hose 3.1x6.7x102 mm (D)	
	0000 930 2804	1	Hose 3.1x6.7 mm x 1 m (A,B)	
26	1125 790 1751	1	Handlebar (B)	18, 27, 28
27		1	Handle hose 430 mm / 16 15/16" (B,D)	
	0000 791 2009	1	Handle hose Ø 19 mm x 5 m / 3/4x197" (B)	
28	9074 478 4435	2	Pan head self-tapping screw IS-P6x19 (B)	



online version, not for reproduction

1121-GET-0002-A0

Tools, Extras

Reference	Item number	Qty	Description	Contains
	1121 890 1400	1	Tool kit (B)	1 - 4
1	1129 890 3401	1	Combination wrench	
2	0812 370 1000	1	Screwdriver T27x120x70	
3	0000 890 2300	1	Screwdriver	
4	0000 891 0810	1	Tool roll (B)	
5	0000 792 9129	1	Chain scabbard	
6	0000 792 9132	1	Chain scabbard extension up to 63 cm (B,C)	
7	1110 893 4000	1	Filing gauge (B)	

online version, not for reproduction