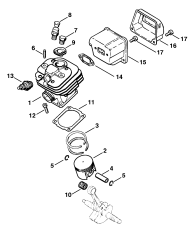
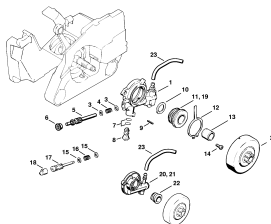


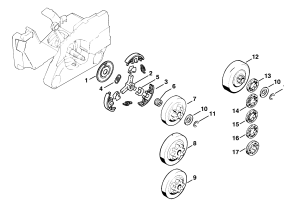
Crankcase



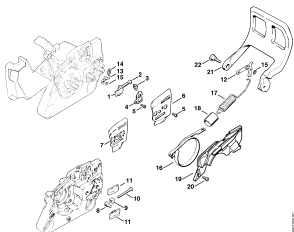
Cylinder



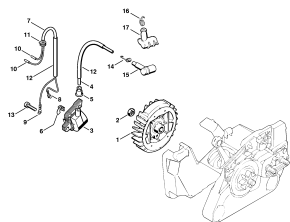
Oil pump



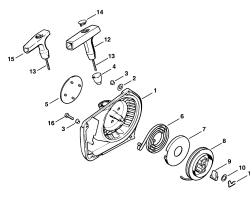
Clutch, Chain sprocket



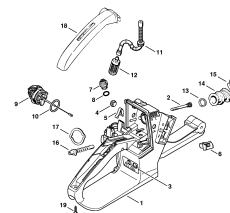
Chain brake



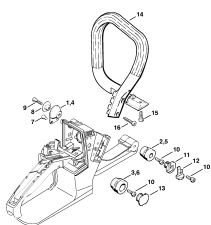
Ignition system



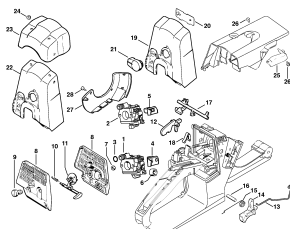
Rewind starter



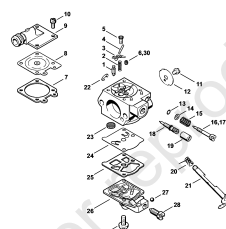
Tank housing



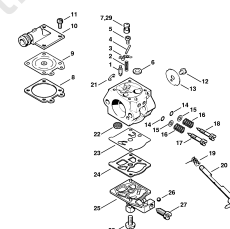
AV system



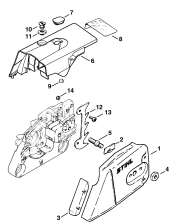
Air filter, Throttle control



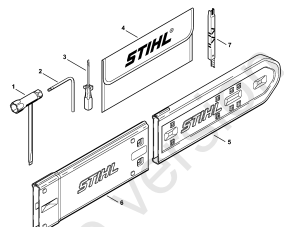
Carburetor WTE-3



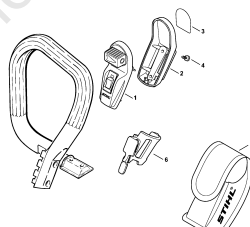
Carburetor WT-426



Chain sprocket cover, Shroud



Tools, Extras

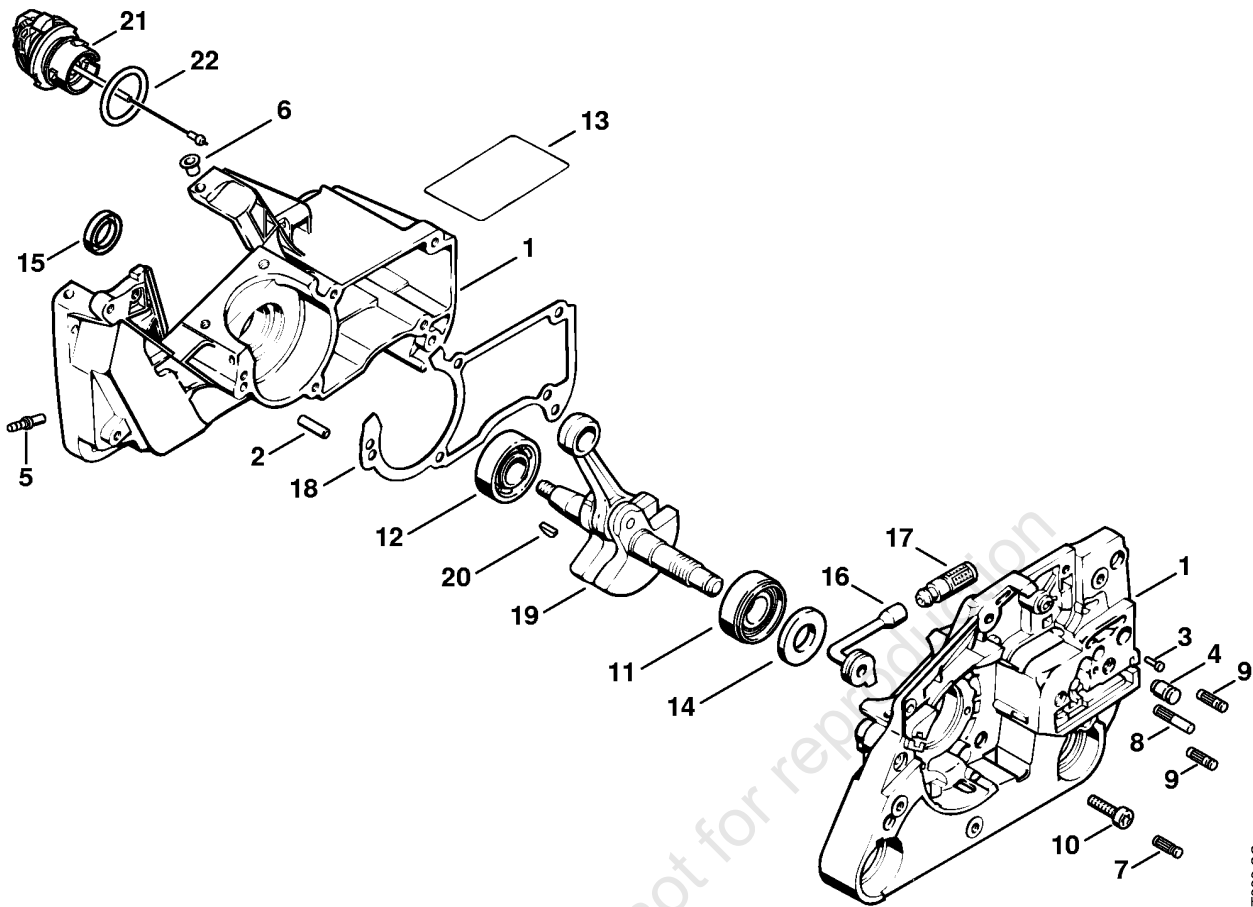


2-in-1 laser

Description	Technical Information
Crankcase	
Cylinder	
Oil pump	
Clutch, Chain sprocket	
Chain brake	
Ignition system	
Rewind starter	
Tank housing	
AV system	
Air filter, Throttle control	
Carburetor WTE-3	
Carburetor WT-426	
Chain sprocket cover, Shroud	
Tools, Extras	
2-in-1 laser	

online version, not for reproduction

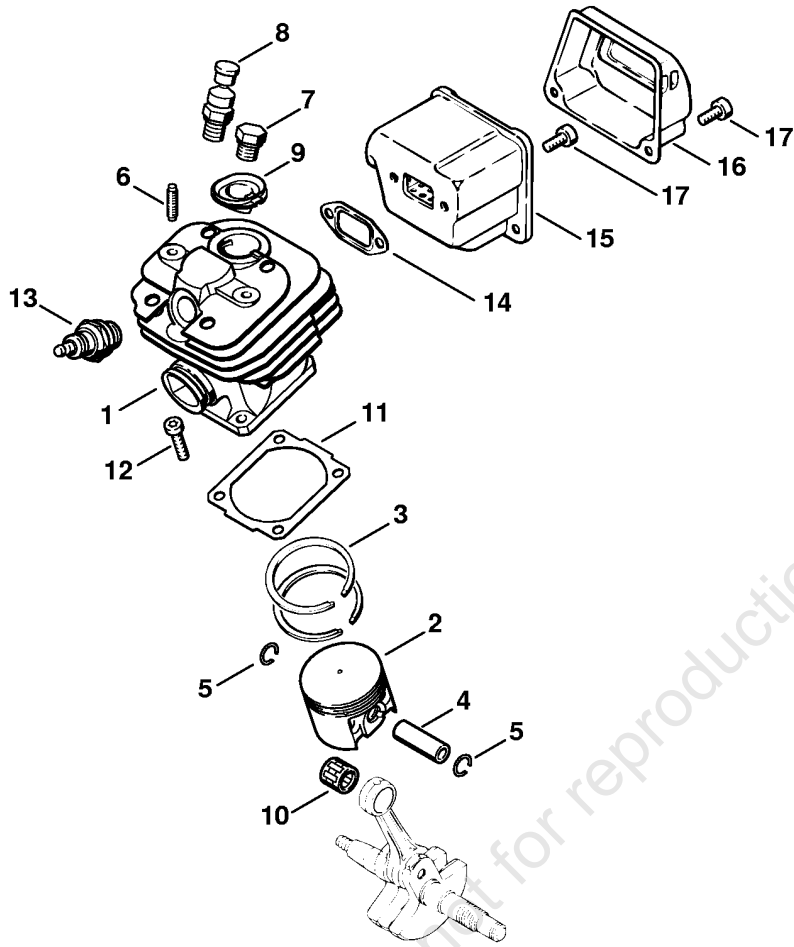
Crankcase



165ET000 SC

Crankcase

Reference	Item number	Qty	Description	Contains	Technical Information
1	1121 020 2125	1	Crankcase	2 - 9, 11, 12	8.2012
2	9371 470 2610	2	Cylindrical pin 5x18		
3	0000 974 1200	1	Notched pin 2.6x8		
4	1128 640 9100	1	Valve		
5	0000 988 5211	1	Connector		
6	9416 868 6531	2	Hollow rivet 6.5x0.5x6.8		
7	1120 162 5200	1	Pin		
8	1121 162 5205	1	Pin		
9	1121 162 5200	2	Pin		
10	9022 371 1020	5	Spline screw IS-M5x20		
11	9523 003 4260	1	Grooved ball bearing 15x35x13		
12	9503 003 0320	1	Grooved ball bearing 16002		
13	1124 084 8301	2	Reflector foil (B)		
14	9640 003 1600	1	Oil seal 15x29.6x4		
15	9640 003 1190	1	Oil seal 12x20x5		
16	1122 647 9400	1	Hose		
17	1117 640 3800	1	Pickup body		
18	1121 029 0500	1	Gasket		
19	1121 030 0400	1	Crankshaft	20	25.2005
20	1120 036 8500	1	Woodruff key 2x3.7		
21	0000 350 0537	1	Filler cap	22	8.2012
22	9645 948 2470	1	O-ring 23x3		
	1121 007 1050	1	Set of gaskets	14, 15, 18	



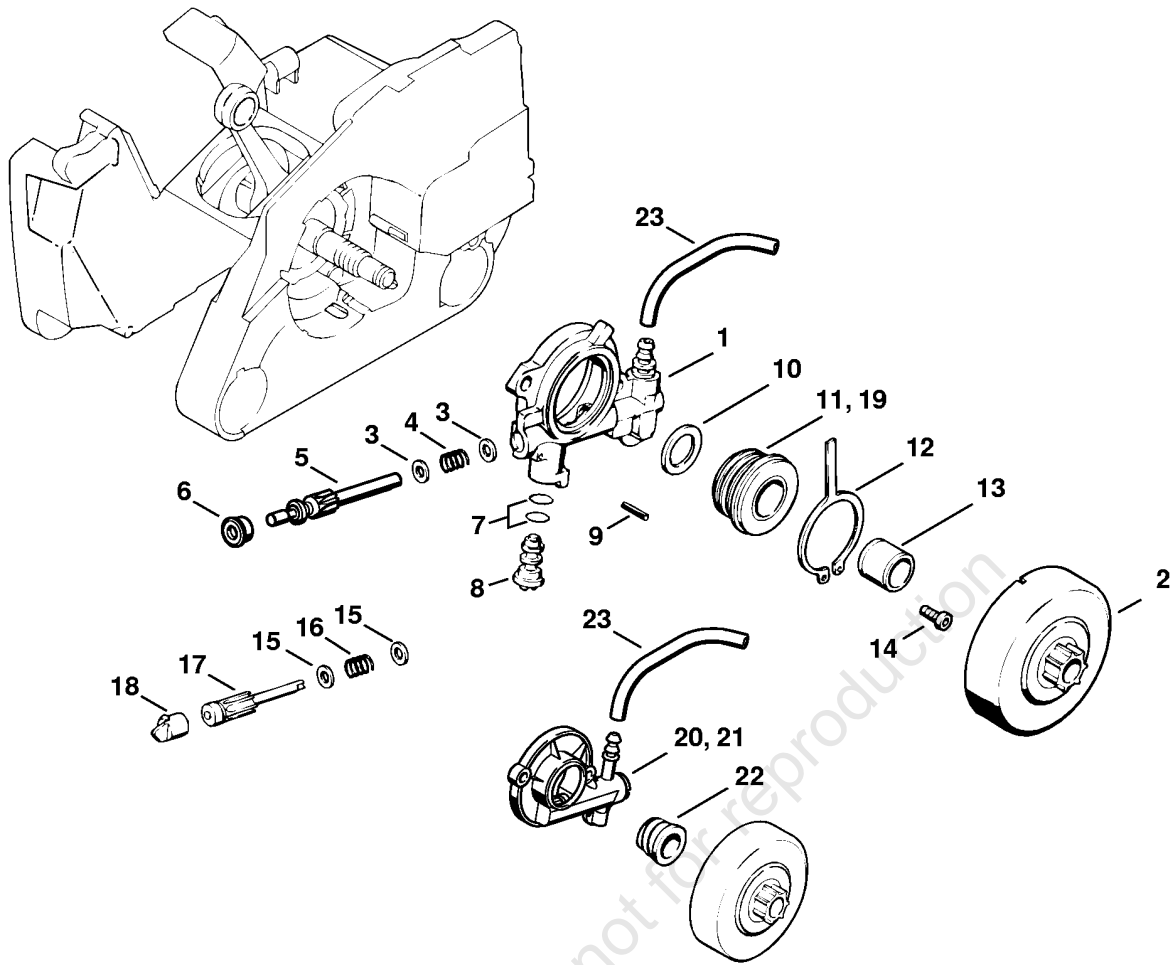
online version, not for reproduction

165ET001 SC

Cylinder

Reference	Item number	Qty	Description	Contains
1	1121 020 1212	1	Cylinder with piston Ø 42 mm	2 - 7
2	1121 030 2005	1	Piston Ø 42 mm	3 - 5
3	1121 034 3005	2	Piston ring Ø 42x1.5 mm	
4	1118 034 1500	1	Piston pin 10x6x30	
5	9463 650 1000	2	Snap ring 10	
6	0000 953 0818	2	Stud M5	
7	1122 025 2200	1	Plug	
8	1128 020 9400	1	Decompression valve J	
9	1122 084 1405	1	Cover J	
10	9512 003 2252	1	Needle cage 10x13x12.5	
11	1118 029 2306	1	Cylinder gasket 0.5 mm	
12	9022 371 1020	4	Spline screw IS-M5x20	
13	1110 400 7005	1	Spark plug Bosch WSR 6 F	
13	0000 400 7000	1	Spark plug NGK BPMR7A	
14	1118 149 0600	1	Muffler gasket	
15	1121 140 0604	1	Muffler	16
16	1121 145 0802	1	Exhaust casing	
17	9022 341 0960	4	Spline screw IS-M5x12	
	1121 007 1050	1	Set of gaskets	11, 14

Oil pump

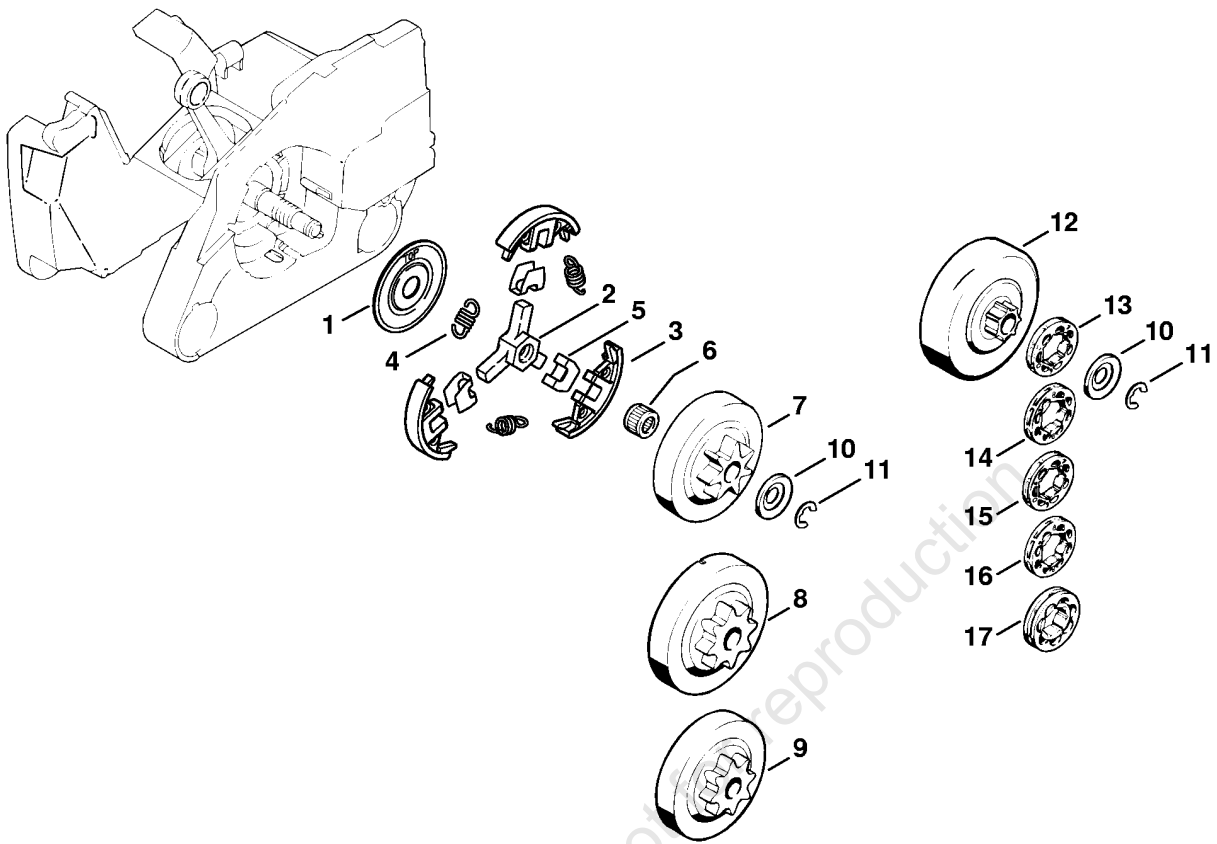


165ET018 TG

Oil pump

Reference	Item number	Qty	Description	Contains	Technical Information
	1121 007 1043	1	Conversion kit oil pump, adjustable (B)	1 - 13	
1	1121 640 3203	1	Oil pump adjustable J	3 - 9	
2		1	Clutch drum (D) J		
3	0000 958 0408	2	Washer J		
4	0000 997 2002	1	Compression spring J		
5	1121 647 0603	1	Pump piston J		
6	1121 641 9400	1	Bearing bushing J		
7	9646 945 0160	2	O-ring 4x2 J		
8	1128 647 4806	1	Control bolt J		
9	9380 620 1090	1	Roll pin 2x10 J		
10	0000 958 1234	1	Washer J		
11	1121 640 7111	1	Worm J	12	
12	1121 647 3100	1	Carrier J		
13	0000 993 0508	1	Ring 12x15x12 J		
14	9022 313 0660	2	Spline screw IS-M4x12		
15	* 0000 958 0407	2	Washer J		40.2004
16	* 0000 997 0504	1	Compression spring J		40.2004
17	* 1121 647 0601	1	Pump piston J		40.2004
18	* 1121 647 7002	1	Plug J		40.2004
19	* 1121 640 7110	1	Worm J	12	40.2004
20	1121 640 3201	1	Oil pump 5 (0.5 mm stroke)		
21	1121 640 3202	1	Oil pump 65 (0.65 mm stroke) (B)		
22	1121 036 1600	1	Worm		
23	1121 640 9400	1	Hose 75 mm / 3"		

Clutch, Chain sprocket

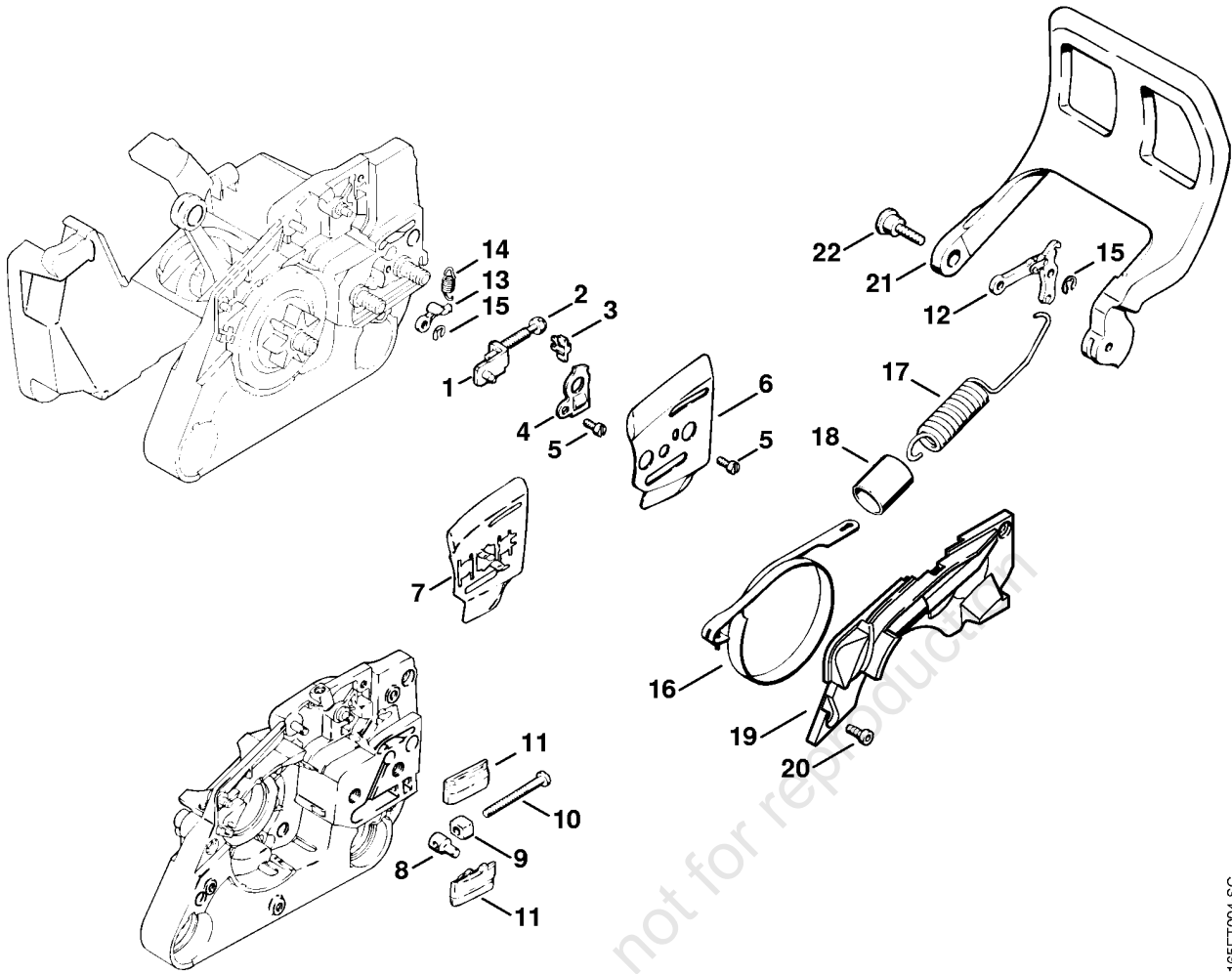


online version, not for reproduction

165ET019 SC

Clutch, Chain sprocket

Reference	Item number	Qty	Description	Contains	Technical Information
	1121 160 2051	1	Clutch	1 - 5	
1	1121 162 1001	1	Cover washer		
2	1121 162 3201	1	Carrier		
3	1121 162 0802	3	Clutch shoe		
4	0000 997 5600	3	Tension spring		64.2005
5	1127 162 3000	3	Retainer		
6	9512 933 2260	1	Needle cage 10x13x10		
7	1121 640 2000	1	Chain sprocket 0.325" 7T		
8	1121 640 2005	1	Chain sprocket 0.325" 8T J		
9	1121 640 2001	1	Chain sprocket 0.325" 8T (B)		
10	0000 958 1022	1	Washer Ø 27 mm		
11	9460 624 0801	1	E-clip 8x1.3		
	1121 007 1001	1	Rim sprocket kit 0.325" 7T (B)	10 - 13	
12		1	Clutch drum (D)		
13	0000 642 1236	1	Rim sprocket 0.325" 7T (B)		
	1121 007 1002	1	Rim sprocket kit 0.325" 8T (B)	10 - 12, 14	
14	0000 642 1234	1	Rim sprocket 0.325" 8T (B)		
	1121 007 1004	1	Rim sprocket kit 3/8" Picco 7T (B)	10 - 12, 15	
15	0000 642 1240	1	Rim sprocket 3/8" Picco 7T (B)		
	1121 007 1005	1	Rim sprocket kit 3/8" Picco 8T (C)	10 - 12, 16	
16	0000 642 1241	1	Rim sprocket 3/8" Picco 8T (C)		
	1121 007 1035	1	Rim sprocket kit 3/8" 7T (B)	10 - 12, 17	
17	0000 642 1231	1	Rim sprocket 3/8" 7T (B)		

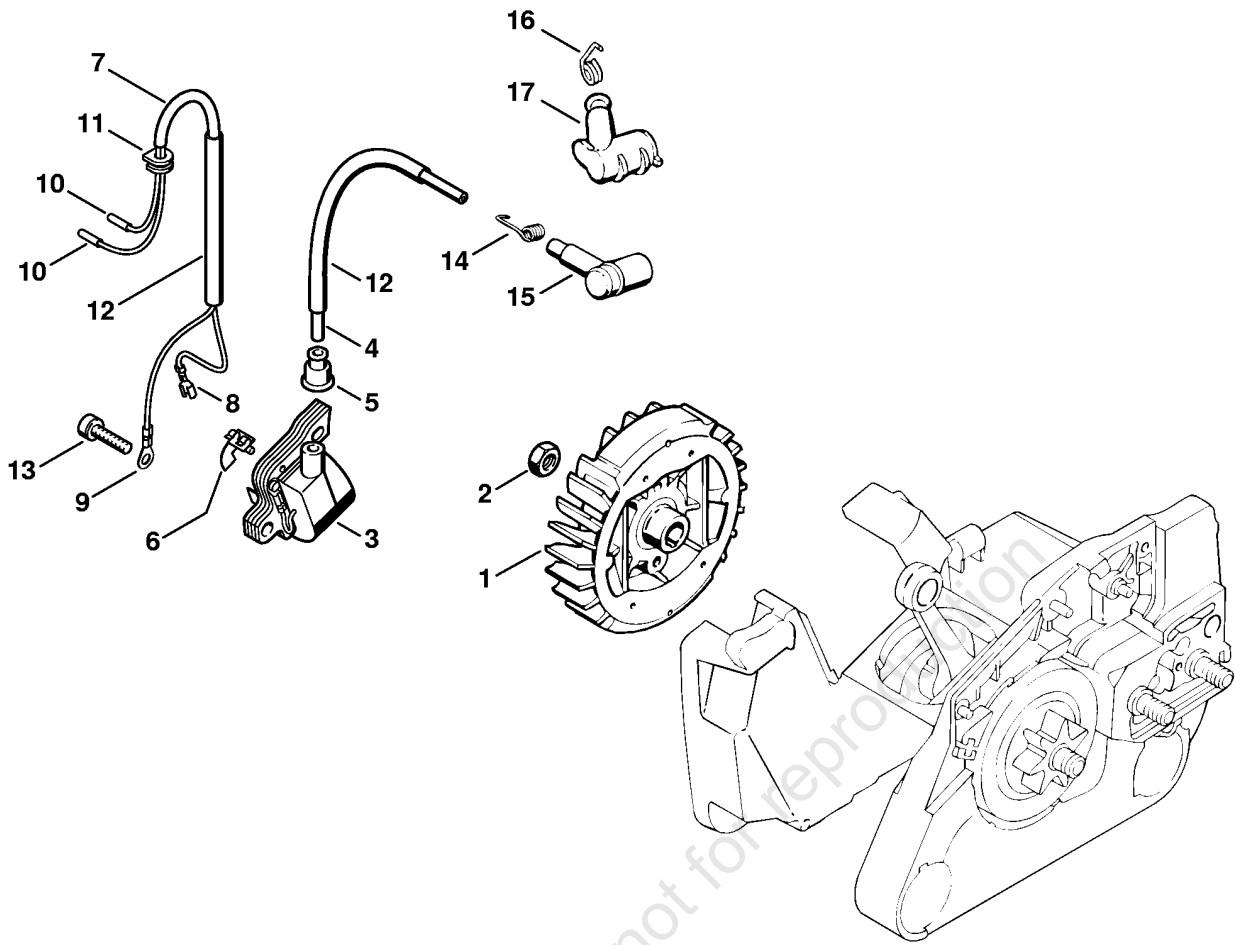


16SET004 SC

Chain brake

Reference	Item number	Qty	Description	Contains
	1121 007 1021	1	Chain tensioner kit	1 - 5
1	1121 640 1905	1	Tensioner slide	2
2	1121 664 1600	1	Adjusting screw	
3	1125 664 1400	1	Thrust pad	
4	1122 664 2200	1	Cover plate	
5	9041 216 0630	1	Pan head screw M4x8	
6	1122 664 1000	1	Inner side plate 0.5 mm	
7	1122 664 1001	1	Inner side plate (B)	
8	1120 664 1500	1	Tensioning nut	
9	1121 664 2800	1	Guide piece	
10	9043 319 8100	1	Pan head screw M5x50	
11	1121 648 6610	2	Bumper strip	
12	1121 160 5000	1	Lever	
13	1121 162 5010	1	Lever	
14	0000 997 0628	1	Spring	
15	9460 624 0400	2	E-clip 4	
16	1121 160 5400	1	Brake band	
17	1121 160 5501	1	Tension spring	18
18	1121 162 8000	1	Hose 12x1x20 mm	
19	1121 021 1102	1	Cover	
20	9022 313 0660	2	Spline screw IS-M4x12	
21	1121 792 9101	1	Hand guard	
22	0000 790 6100	1	Screw assy. M4	

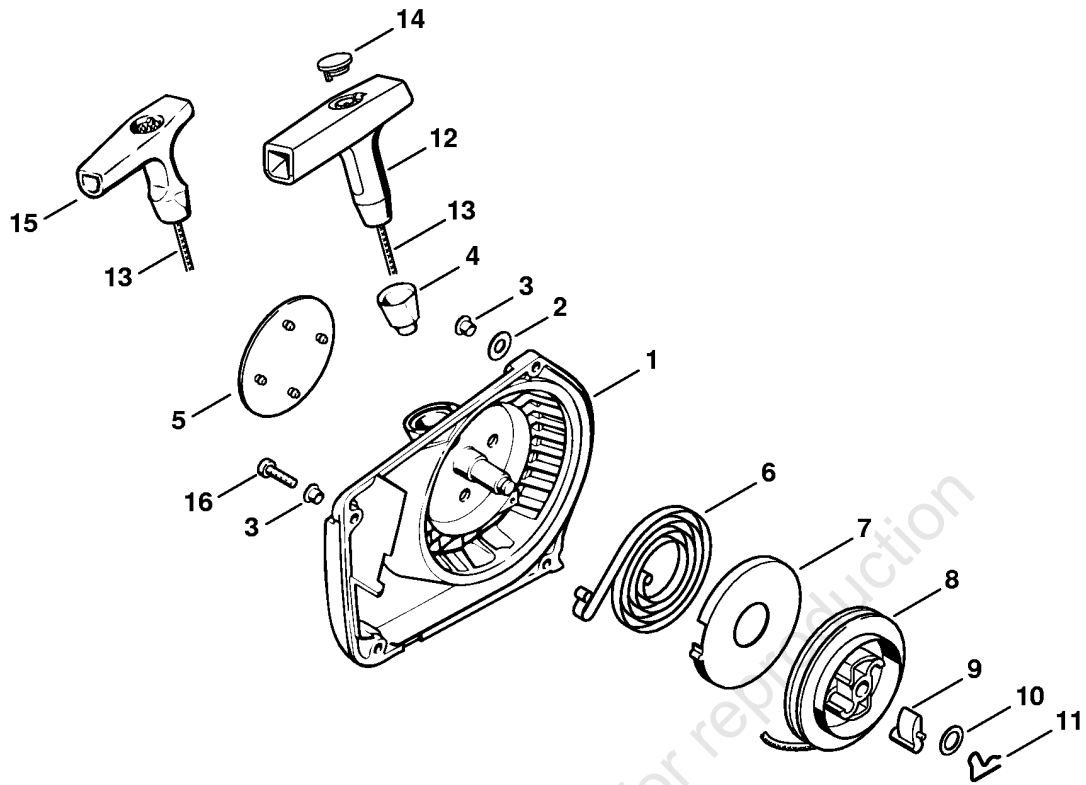
Ignition system



Ignition system

Reference	Item number	Qty	Description	Contains	Technical Information
1	1121 400 1200	1	Flywheel		25.2005
2	9210 261 1140	1	Hexagon nut M8x1		
3	0000 400 1300	1	Ignition module	4 - 6	
4		1	Ignition lead 150 mm (D)		
	0000 405 0600	1	Ignition lead 1 m (B)		
	0000 930 2251	1	Ignition lead 10 m (B)		
5	0000 989 1010	1	Grommet		
6	0000 448 1250	1	Lead retainer		
7	1121 440 3002	1	Wiring harness	8 - 12	
8	0751 030 8957	1	Terminal socket 4.8-1/0.8 (C)		
9	0751 030 8969	1	Terminal socket A5-1.5 (C)		
10	1110 442 7000	2	Contact sleeve (C)		
11	0000 989 0507	1	Grommet		
12	1125 442 0402	1	Insulating hose 90 mm / 3.5"		
13	9022 341 1019	2	Spline screw IS-M5x20		
14	* 0000 998 0603	1	Torsion spring		
15	* 1106 405 1000	1	Spark plug boot		
16	0000 998 0604	1	Spark plug contact spring		
17	1128 405 1000	1	Spark plug boot		

Rewind starter

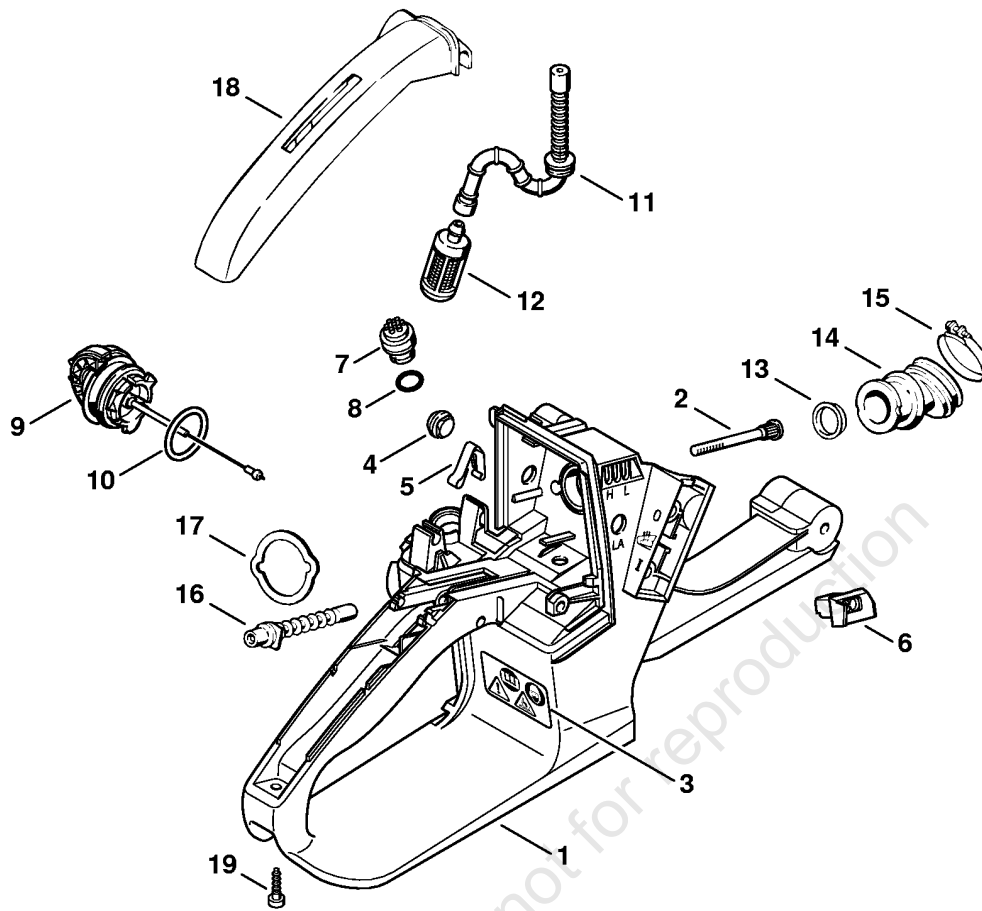


online version, not for reproduction

165ET017 SC

Rewind starter

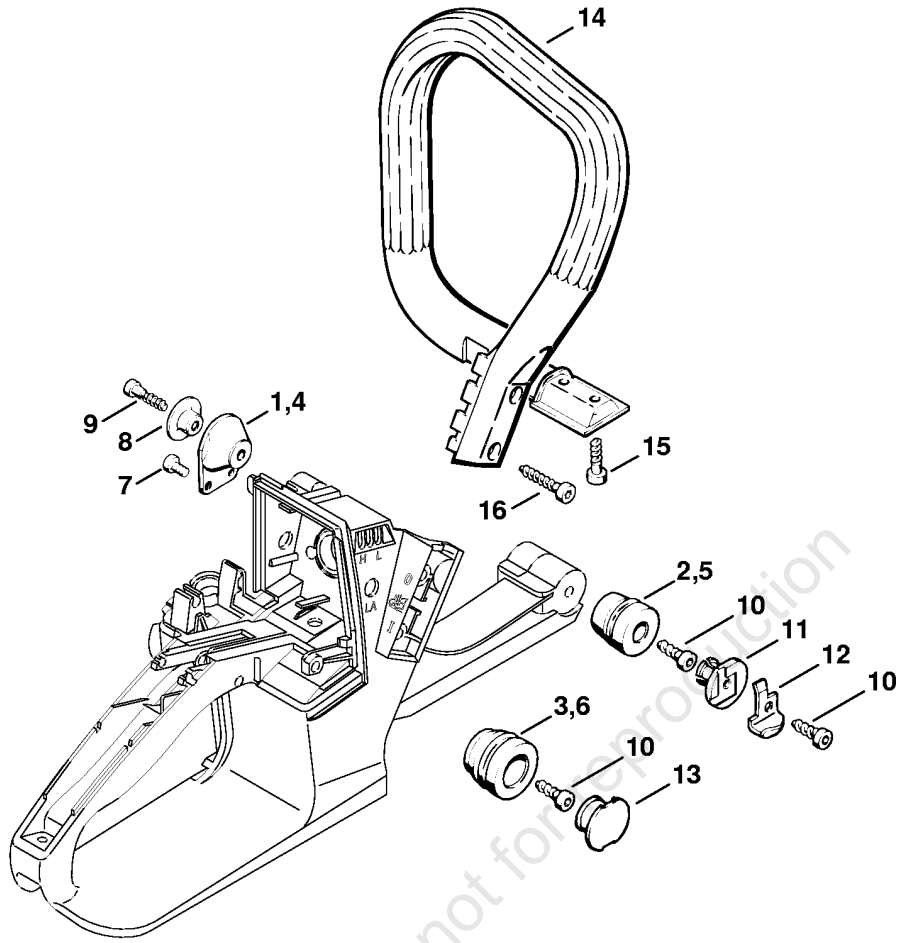
Reference	Item number	Qty	Description	Contains
	1121 080 2101	1	Fan housing with rewind starter	1 - 14
1	1121 080 1812	1	Fan housing	2 - 5
2	0000 958 0514	1	Washer	
3	9416 868 5630	4	Hollow rivet 5.5x0.5x6.8	
4	1110 084 9102	1	Bushing	
5	1121 967 1515	1	Model plate MS 240	
6	1118 190 0600	1	Rewind spring	7
7	1118 195 0300	1	Spring housing	
8	1125 195 0401	1	Rope rotor	
9	1125 195 7200	1	Pawl	
10	0000 958 0923	1	Washer	
11	1118 195 3500	1	Spring	
12	0000 190 3401	1	Starter grip ElastoStart Ø 3.5 mm	13, 14
13	1113 195 8200	1	Starter rope Ø 3.5x960 mm	
	0000 930 2203	1	Starter rope Ø 3.5 mm x 30.5 m (B)	
	0000 930 2212	1	Starter rope Ø 3.5 mm x 60.8 m (B)	
14	0000 195 7001	1	Cap	
15	1121 195 3400	1	Starter grip	
16	9022 313 0680	3	Pan head screw IS M4x16	



165ET007 SC

Tank housing

Reference	Item number	Qty	Description	Contains	Technical Information
1	1121 350 0834	1	Tank housing	2 - 11	8.2012
2	1121 122 6600	2	Collar screw		
3	0000 967 3662	1	Warning pictogram MS		
4	1121 791 2800	1	Stop buffer		
5	1125 442 1601	1	Contact spring		
6	1121 123 7501	1	Grommet		
7	0000 350 5800	1	Tank vent	8	
8		1	O-ring (D)		
9	0000 350 0533	1	Filler cap	10	8.2012
10	9645 948 7734	1	O-ring 25x3.5		
11	1121 358 7700	1	Hose		
12	0000 350 3518	1	Pickup body		
13	1113 141 1805	1	Sleeve		
14	1121 141 2200	1	Manifold		
15	9771 021 2550	1	Hose clip Ø 32x5		
16	1113 141 8600	1	Impulse hose		
17	1121 121 8600	1	Washer		
18	1121 791 0600	1	Handle molding		
19	9074 478 3076	1	Pan head self-tapping screw IS-P4x19		

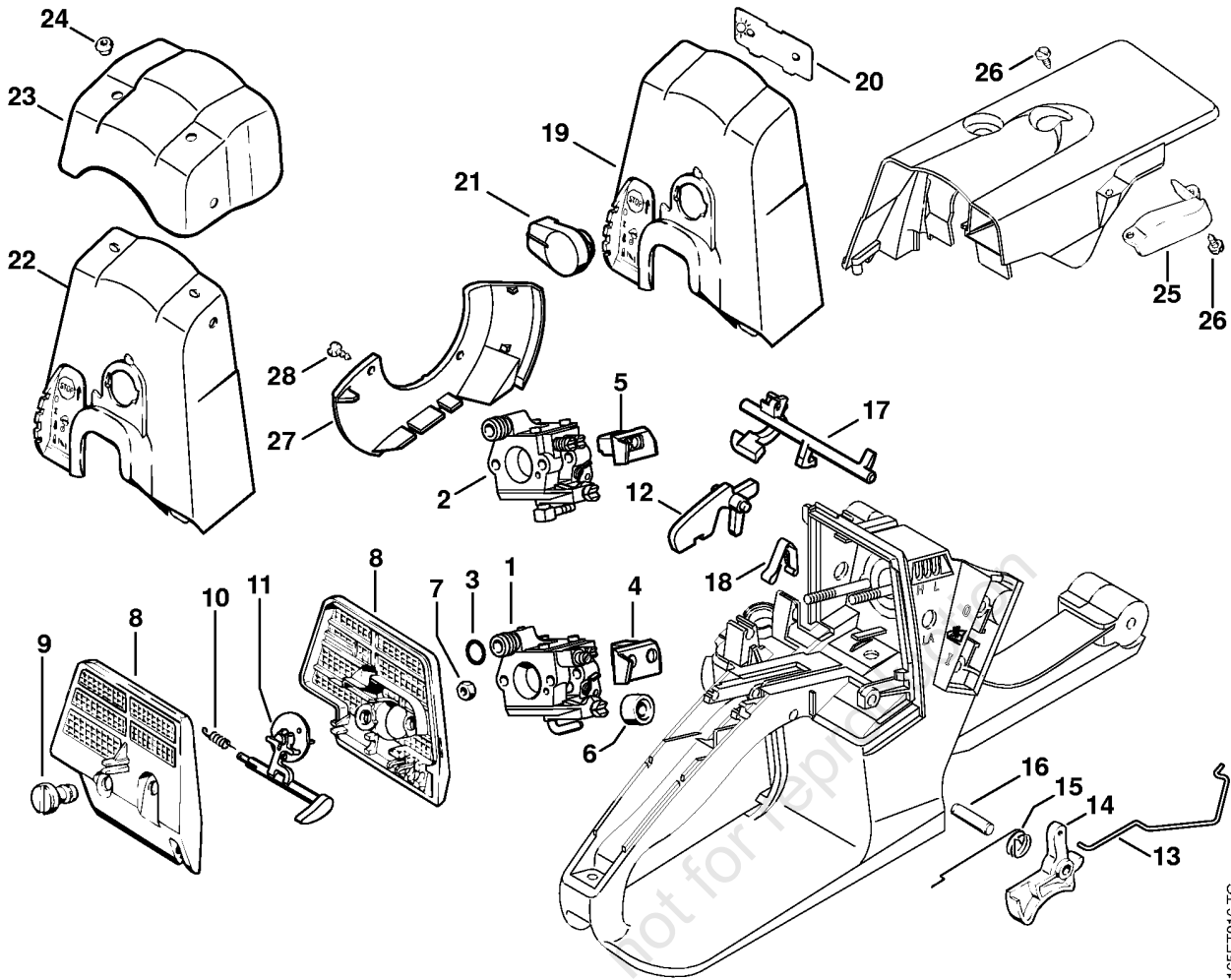


165ET008 SC

AV system

Reference	Item number	Qty	Description	Contains
		1	AV system normal:	
1	1121 790 9901	1	Annular buffer	
2	1121 790 9912	1	Annular buffer	
3	1121 790 9909	1	Annular buffer	
		1	AV system soft:	
4	1121 790 9902	1	Annular buffer	
5	1121 790 9903	1	Annular buffer	
6	1121 790 9904	1	Annular buffer	
7	9022 341 0960	2	Spline screw IS-M5x12	
8	1121 791 7202	1	Sleeve	
9	9074 478 4545	1	Pan head self-tapping screw IS-P6x26.5	
10	9074 478 4435	3	Pan head self-tapping screw IS-P6x19	
11	1119 791 7305	1	Plug	
12	1119 656 7705	1	Chain catcher	
13	1125 791 7306	1	Plug	
14	1121 790 1701	1	Handlebar	15, 16
15	9074 478 4475	2	Pan head self-tapping screw IS-P6x21.5	
16	9074 478 4675	2	Pan head self-tapping screw IS-P6x32.5	

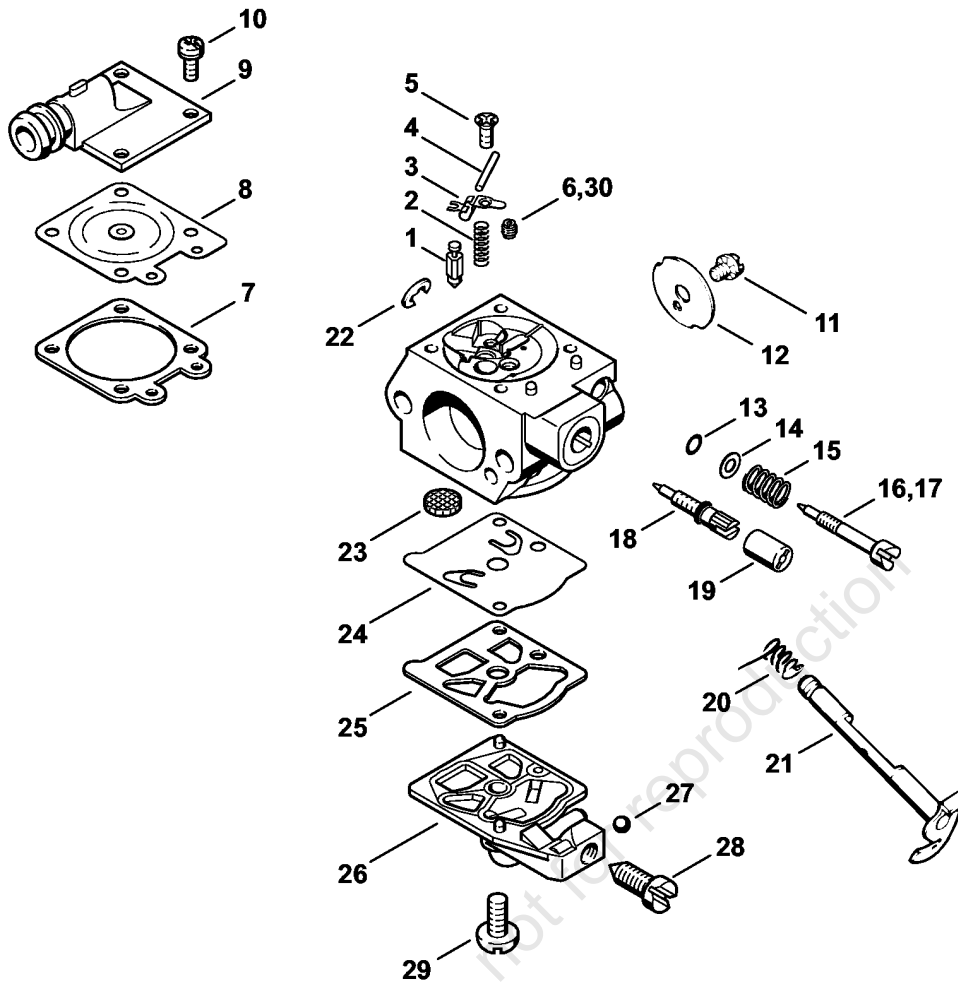
Air filter, Throttle control



165ET016 TG

Air filter, Throttle control

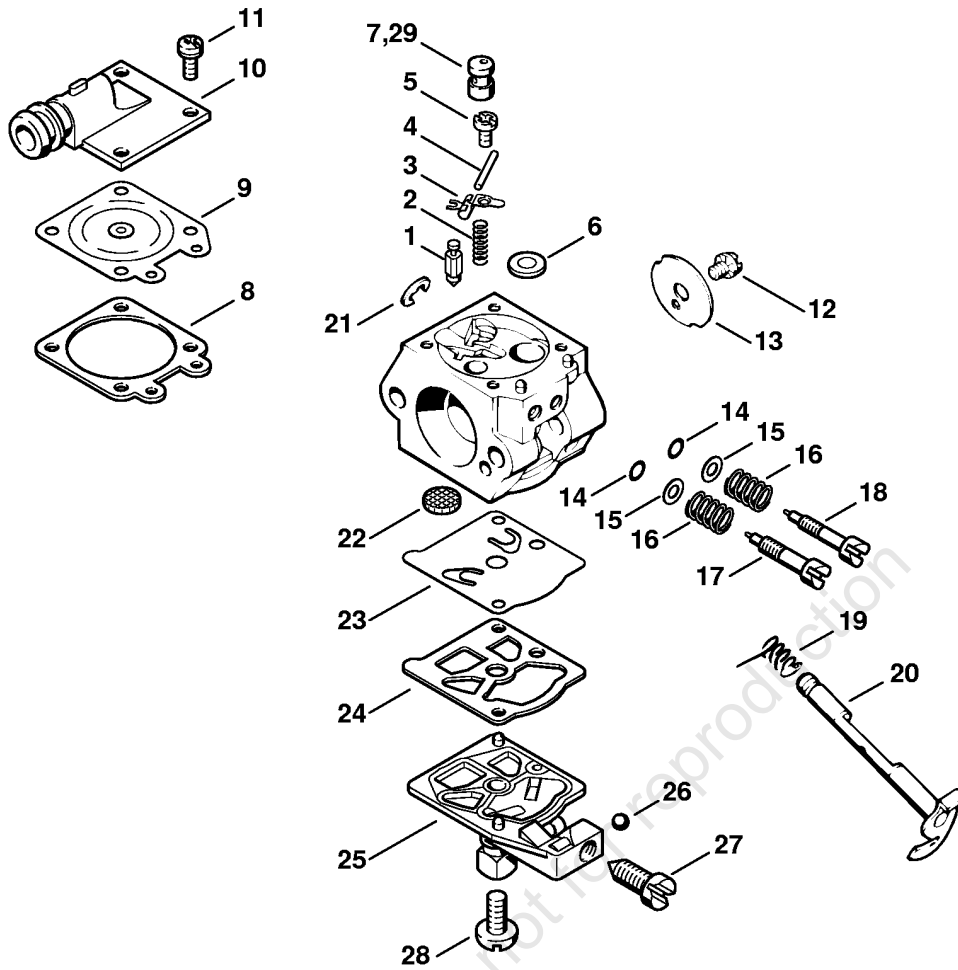
Reference	Item number	Qty	Description	Contains	Technical Information
1	1121 120 0618	1	Carburetor WTE-3B		
2	* 1121 120 0611	1	Carburetor WT-426B		7.2004
3	9645 945 7485	1	O-ring 7x2.5		
4	1121 123 7503	1	Grommet		
5	* 1121 123 7501	1	Grommet		7.2004
6	1121 122 7000	1	Grommet		
7	9210 260 0700	2	Hexagon nut M5		
8	1121 120 1617	1	Air filter	9 - 11	
8	1121 120 1618	1	Air filter, fleece (B)	9 - 11	
9	1124 141 8300	1	Slotted nut		
10	1121 124 3000	1	Torsion spring		
11	1121 120 2900	1	Choke shutter		
12	1117 182 0805	1	Lockout lever		
13	1121 182 1501	1	Throttle rod		
14	1118 182 1006	1	Throttle trigger		
15	1117 182 4500	1	Torsion spring		
16	9371 470 2640	1	Cylindrical pin 5x24		
17	1125 182 0901	1	Switch shaft		
18	1125 442 1601	1	Contact spring		
19	1121 140 1915	1	Carburetor box cover	20, 21	
20	1121 141 2900	1	Cover		
21	1130 141 2300	1	Twist lock		
	1121 007 1014	1	Intake air preheating kit (B)	20 - 28	
22	1121 140 1916	1	Carburetor box cover (B)	20, 21, 23, 24	
23	1121 141 2502	1	Cover (B)		
24	9438 929 4040	1	Blind rivet 5x8 (B)		
25	1121 084 1700	1	Air guide (B)		
26	9099 021 2360	2	Self-tapping screw 3.5x9.5 (B)		
27	1121 084 8202	1	Cover plate (B)		
28	9099 021 2360	2	Self-tapping screw 3.5x9.5 (B)		



172ET047 AM

Carburetor WTE-3

Reference	Item number	Qty	Description	Contains
	1121 120 0618	1	Carburetor WTE-3B	1 - 16, 18 - 29
1	4116 121 5100	1	Inlet needle	
2	4116 122 3000	1	Spring	
3	1121 121 5000	1	Inlet control lever	
4	1113 121 9200	1	Spindle	
5	1121 122 7103	1	Round head screw	
6	1121 121 5605	1	Fixed jet 0.44	
7	1120 129 0900	1	Gasket	
8	1121 121 4700	1	Metering diaphragm	
9	1121 121 0810	1	End cover	
10	1121 122 7101	4	Screw	
11	1121 122 7102	1	Round head screw	
12	1121 121 3302	1	Throttle shutter	
13	4124 122 3600	1	Sealing ring	
14	1111 121 8605	1	Washer	
15	1115 122 3002	1	Spring	
16	1121 122 6809	1	Low speed screw	
17	* 1121 122 6807	1	Low speed screw	
18	1121 122 6703	1	High speed screw	
19	4203 121 2700	1	Cap	
20	1113 122 3205	1	Torsion spring	
21	1121 120 7105	1	Throttle shaft with lever	
22	1117 122 9000	1	E-clip	
23	1114 121 7800	1	Strainer	
24	1121 121 4801	1	Pump diaphragm	
25	1120 129 0905	1	Gasket	
26	1121 121 0801	1	End cover	27, 28
27	1122 121 7700	1	Clamp	
28	1121 122 6201	1	Idle speed screw	
29	1114 122 7100	1	Screw	
30	1123 121 5642	1	Fixed jet 0.42 (B) High altitude	
	1121 007 1063	1	Set of carburetor parts	1 - 3, 7, 8, 23 - 25

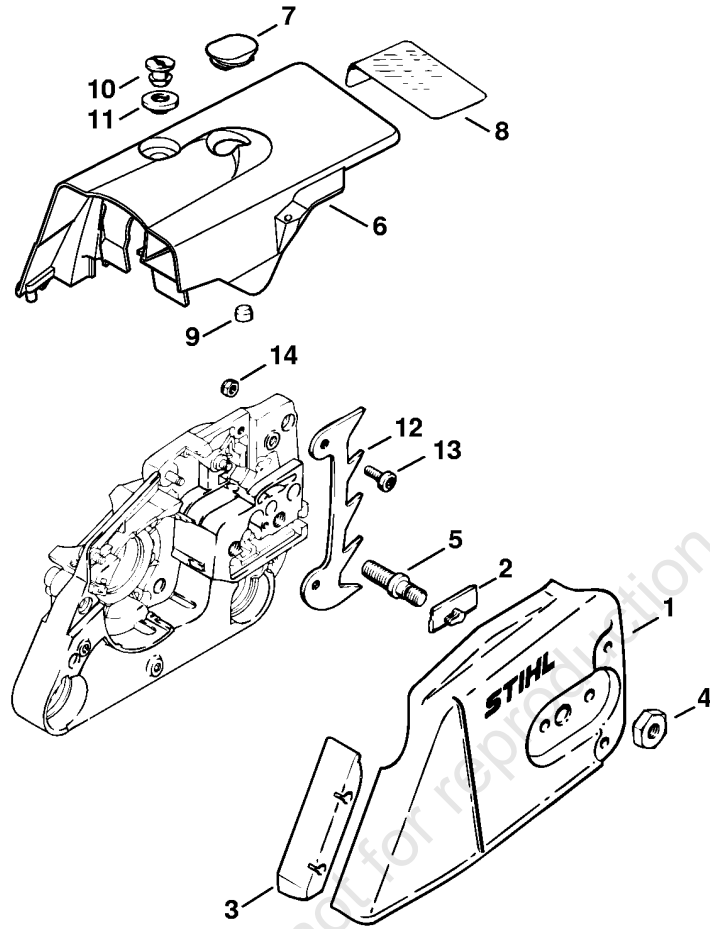


165ET014 SC

Carburetor WT-426

Reference	Item number	Qty	Description	Contains	Technical Information
	* 1121 120 0611	1	Carburetor WT-426B	2 - 29	7.2004
1	* 4116 121 5100	1	Inlet needle		7.2004
2	* 1114 122 3005	1	Spring		7.2004
3	* 1113 121 5000	1	Inlet control lever		7.2004
4	* 1113 121 9200	1	Spindle		7.2004
5	* 1114 122 7400	1	Round head screw		7.2004
6	* 4117 122 9402	1	Plug		7.2004
7	* 1121 121 5400	1	Valve jet 0.48		7.2004
8	* 1120 129 0900	1	Gasket		7.2004
9	* 1113 121 4705	1	Metering diaphragm		7.2004
10	* 1121 121 0810	1	End cover		7.2004
11	* 1121 122 7101	4	Screw		7.2004
12	* 1110 122 7400	1	Round head screw		7.2004
13	* 1121 121 3301	1	Throttle shutter		7.2004
14	* 4130 122 3600	2	Sealing ring		7.2004
15	* 4130 121 8601	2	Washer		7.2004
16	* 1115 122 3002	2	Spring		7.2004
17	* 1121 122 6700	1	High speed screw		7.2004
18	* 1121 122 6802	1	Low speed screw		7.2004
19	* 1113 122 3205	1	Torsion spring		7.2004
20	* 1121 120 7105	1	Throttle shaft with lever		7.2004
21	* 1117 122 9000	1	E-clip		7.2004
22	* 1114 121 7800	1	Strainer		7.2004
23	* 1121 121 4801	1	Pump diaphragm		7.2004
24	* 1120 129 0905	1	Gasket		7.2004
25	* 1121 121 0805	1	End cover	26, 27	7.2004
26	* 1122 121 7700	1	Clamp		7.2004
27	* 1121 122 6205	1	Idle speed screw		7.2004
28	* 1114 122 7100	1	Screw		7.2004
29	* 1121 121 5601	1	Fixed jet 0.46 (B) High altitude		7.2004
	* 1121 007 1062	1	Set of carburetor parts	1 - 3, 8, 9, 22 - 24	7.2004

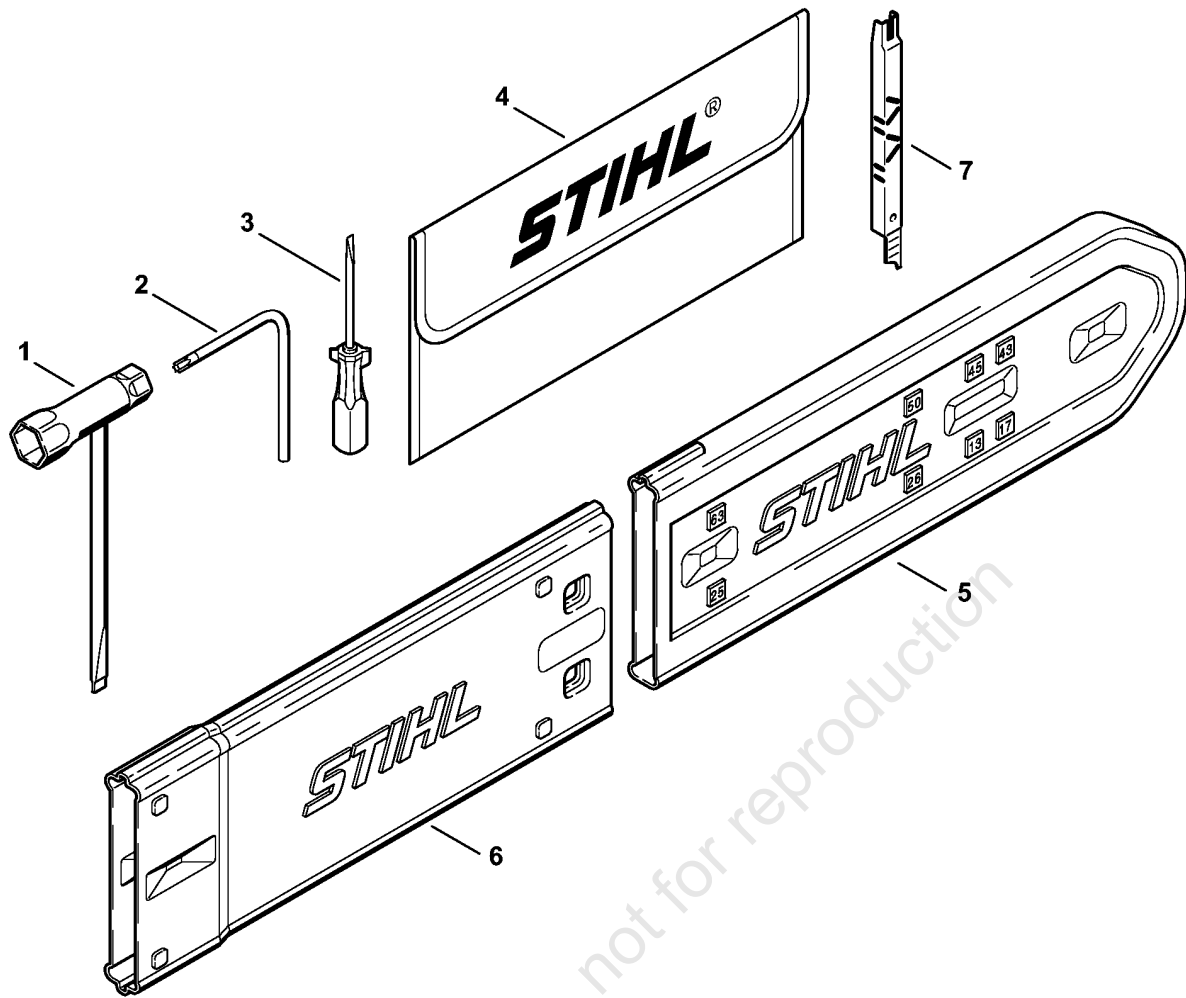
Chain sprocket cover, Shroud



165ET011 SC

Chain sprocket cover, Shroud

Reference	Item number	Qty	Description	Contains
1	1125 640 1701	1	Chain sprocket cover	2, 3
2	1121 648 6610	2	Bumper strip	
3	1125 656 1501	1	Guard	
4	0000 955 0801	2	Hexagon nut M8	
5	0000 953 6605	2	Collar screw M8	
6	1121 080 1605	1	Shroud	7, 8
7	1121 084 7101	1	Cap	
8	1119 084 8300	1	Reflector foil	
9	1121 084 7100	1	Cap	
10	1121 084 7000	1	Slotted nut	
11	1121 084 6901	1	Insulator	
	1121 007 1031	1	Set Bumper spike (B)	
12	1110 664 0501	1	Bumper spike	
13	9022 341 0960	2	Spline screw IS-M5x12	
14	9214 320 0700	1	Lock nut M5	



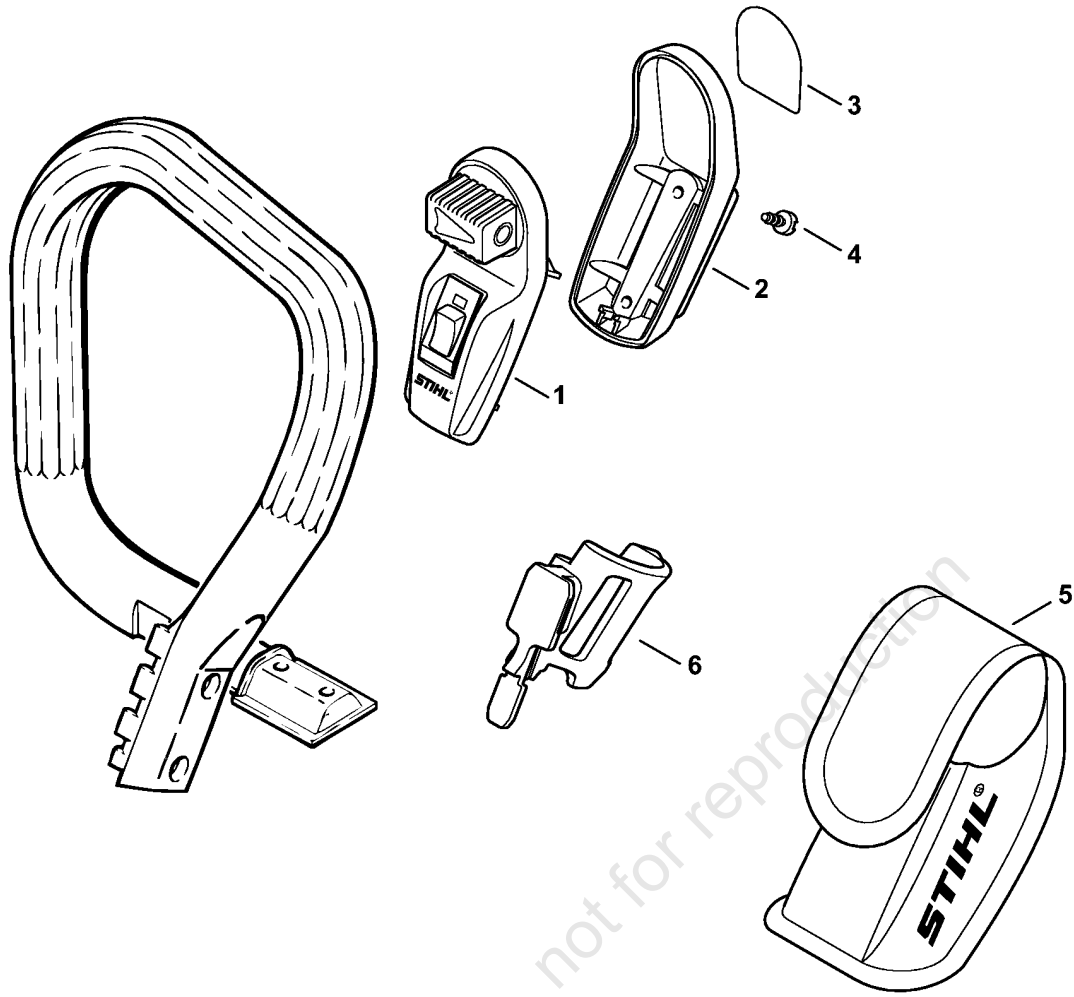
online version, not for reproduction

1121-GET-0002-A0

Tools, Extras

Reference	Item number	Qty	Description	Contains
	1121 890 1400	1	Tool kit J	1 - 4
1	1129 890 3401	1	Combination wrench	
2	0812 370 1000	1	Screwdriver T27x120x70	
3	0000 890 2300	1	Screwdriver	
4	0000 891 0810	1	Tool roll	
5	0000 792 9129	1	Chain scabbard	
6	0000 792 9132	1	Chain scabbard extension up to 63 cm (B,C)	
7	1110 893 4000	1	Filing gauge (B)	

online version, not for reproduction



172ET050 SC

2-in-1 laser

Reference	Item number	Qty	Description	Contains
1	0000 400 0200	1	Laser (B) (1)	2 - 5
2	0000 430 9900	1	Handle molding, bottom (B) (1)	3
3	0000 967 7307	1	Warning pictogram (B) (1)	
4	9074 478 2967	2	Pan head self-tapping screw IS-P4x10 (B) (1)	
5	0000 491 0100	1	Bag (B) (1)	
6	1121 791 5400	1	Support (B) (1)	

online version, not for reproduction