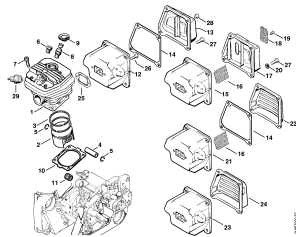
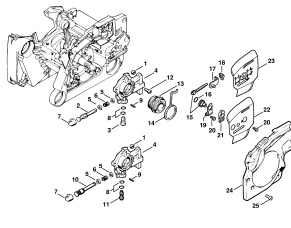


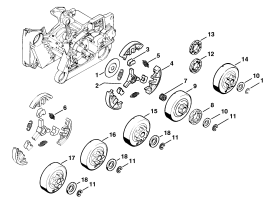
Crankcase



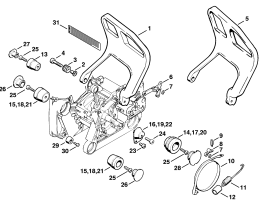
Cylinder, Muffler



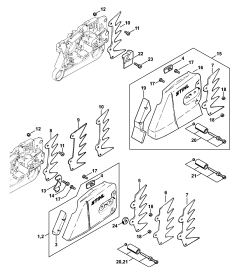
Oil pump, Chain tensioner kit



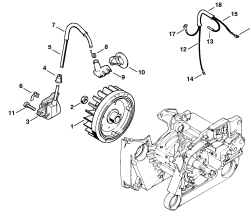
Clutch, Chain sprocket kit



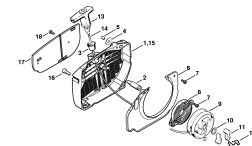
AV system



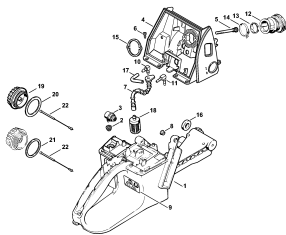
Chain sprocket cover



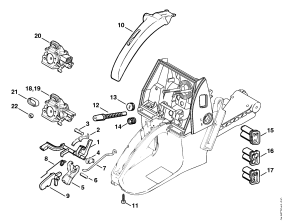
Ignition system



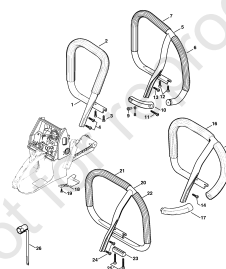
Rewind starter



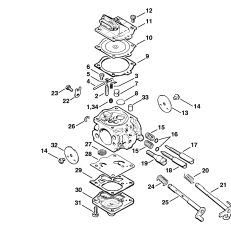
Tank housing



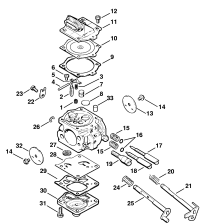
Throttle control



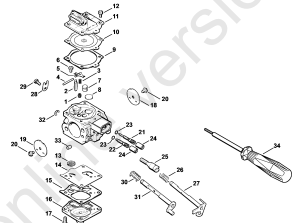
Handlebar



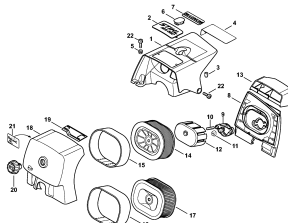
Carburetor WJ-67



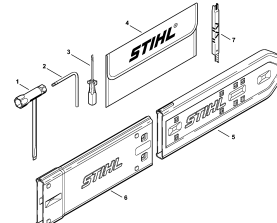
Carburetor WJ-76



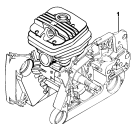
Carburetor WJ-69



Shroud, Air filter



Tools, Extras



Serial number

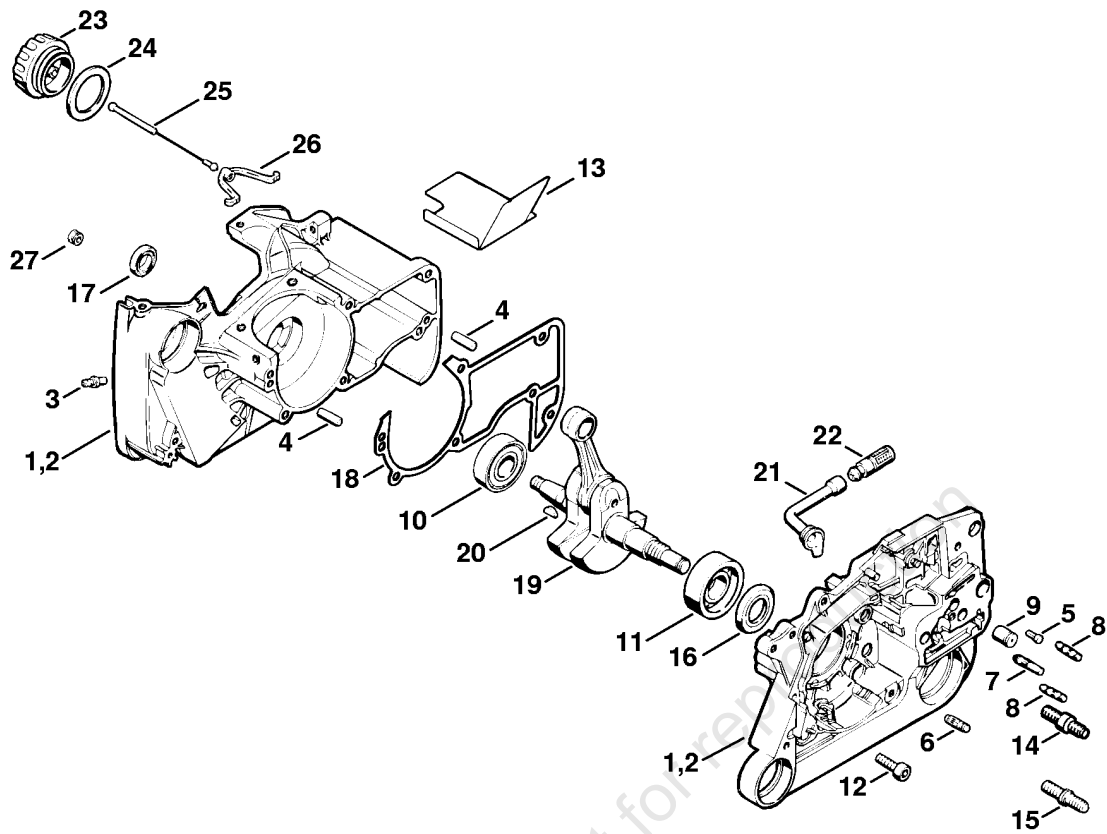
(1) MS 650, (2) MS 650 Magnum, (3) MS 650 Magnum BR, (4) MS 650-R Magnum

MS 650

Description	Technical Information
Crankcase	
Cylinder, Muffler	
Oil pump, Chain tensioner kit	
Clutch, Chain sprocket	
AV system	
Chain sprocket cover	
Ignition system	
Rewind starter	
Tank housing	
Throttle control	
Handlebar	
Carburetor WJ-67	
Carburetor WJ-76	
Carburetor WJ-69	
Shroud, Air filter	
Tools, Extras	
Serial number	

online version, not for reproduction

Crankcase



178ET056 SC

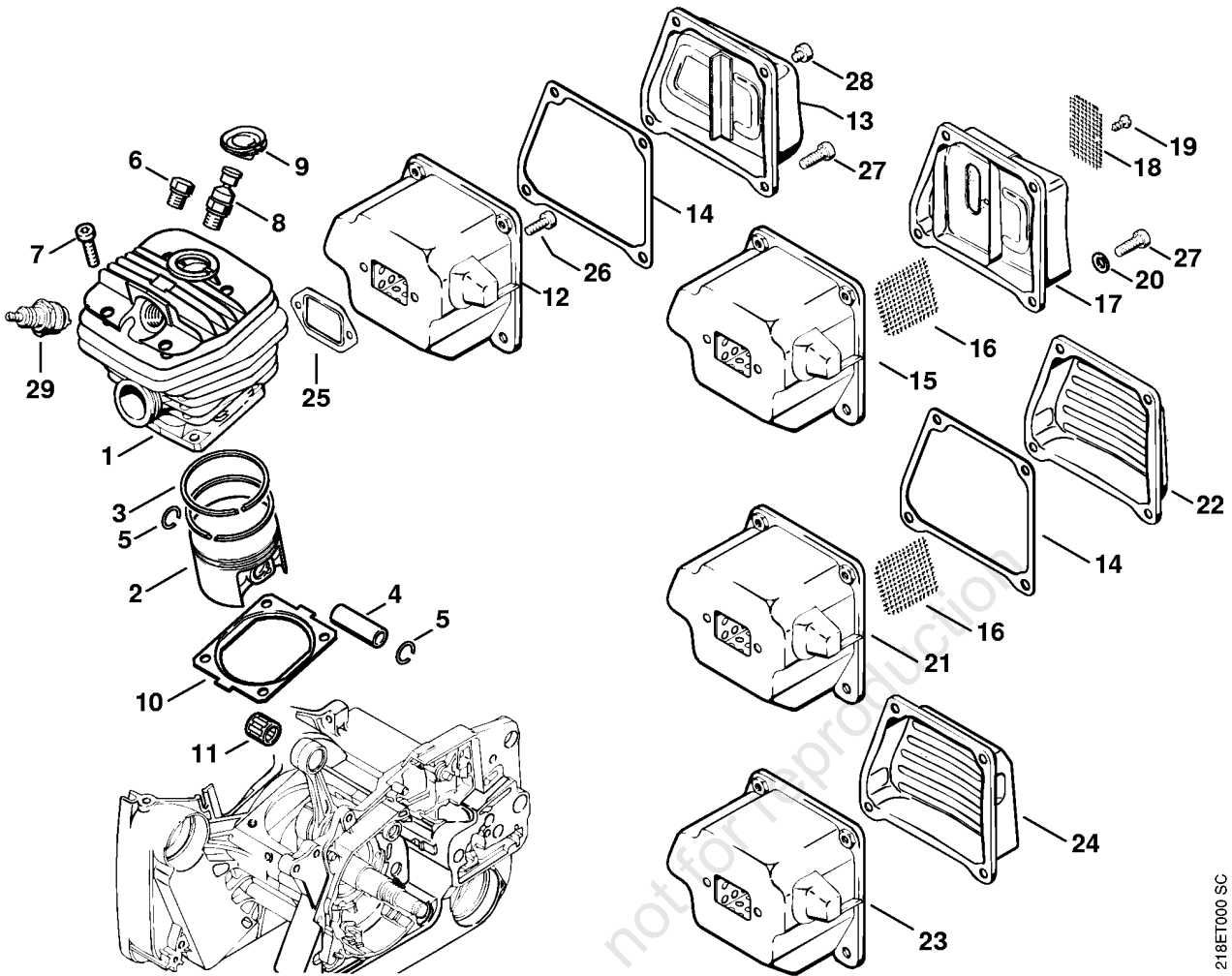
(1) MS 650, (2) MS 650 Magnum, (3) MS 650 Magnum BR, (4) MS 650-R Magnum

Crankcase

Reference	Item number	Qty	Description	Contains	Technical Information
1	1122 020 2116	1	Crankcase	3 - 14	
2	* 1122 020 2113	1	Crankcase	3 - 13, 15	10.2007
3	0000 988 5211	1	Connector		
4	9371 470 2610	2	Cylindrical pin 5x18		
5	0000 974 1200	1	Notched pin 2.6x8		
6	1120 162 5200	1	Pin		
7	1121 162 5205	1	Pin		
8	1121 162 5200	2	Pin		
9	1128 640 9100	1	Valve		
10	9503 003 6676	1	Grooved ball bearing 6203		
11	9523 003 4555	1	Grooved ball bearing 17x40x14		
12	9022 371 1020	6	Spline screw IS-M5x20		
13	1128 084 8302	1	Reflector foil		
14	1138 664 2400	2	Collar screw		
15	* 0000 953 6605	2	Collar screw M8		10.2007
16	9640 003 1850	1	Oil seal DIN3760-BS17x32,9x3,6		
17	9640 003 1560	1	Oil seal 15x22x4		
18	1122 029 0507	1	Gasket		
19	1122 030 0408	1	Crankshaft	20	25.2005
20	1120 036 8500	1	Woodruff key 2x3.7		
21	1122 647 9400	1	Hose		
22	1117 640 3800	1	Pickup body		
23	0000 350 0520	1	Filler cap	24 - 26	
24	0000 359 1220	1	Sealing ring		
25	0000 350 0900	1	Rope		
26	0000 353 0600	1	Hook		
27	1125 084 8900	1	Grommet		
	1122 007 1053	1	Set of gaskets	13, 16 - 18	

(1) MS 650, (2) MS 650 Magnum, (3) MS 650 Magnum BR, (4) MS 650-R Magnum

Cylinder, Muffler



218ET000 SC

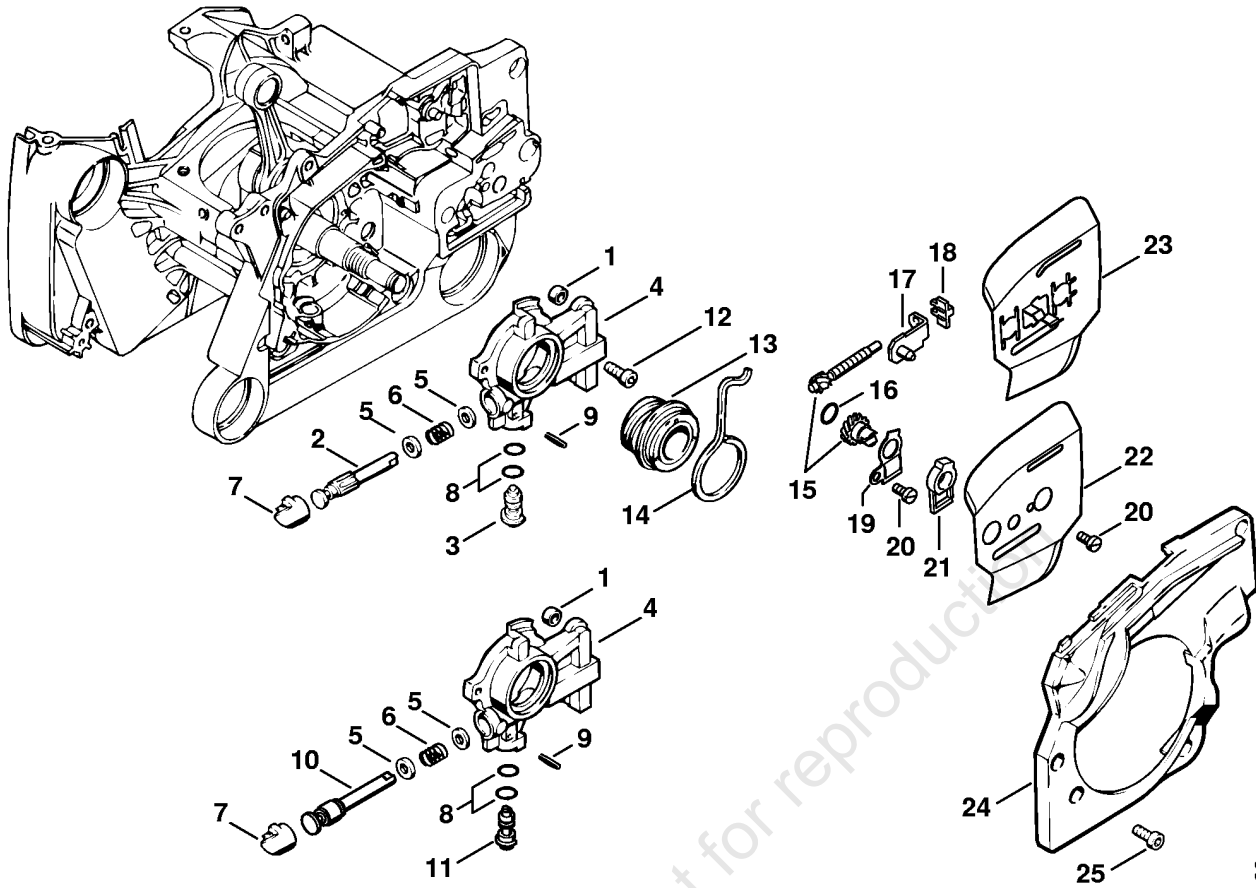
(1) MS 650, (2) MS 650 Magnum, (3) MS 650 Magnum BR, (4) MS 650-R Magnum

Cylinder, Muffler

Reference	Item number	Qty	Description	Contains
1	1122 020 1219	1	Cylinder with piston Ø 52 mm	2 - 6
2	1122 030 2003	1	Piston Ø 52 mm	3 - 5
3	1122 034 3000	2	Piston ring Ø 52x1.2 mm	
4	1122 034 1500	1	Piston pin 12x8x33	
5	9463 650 1200	2	Snap ring 12x1	
6	1122 025 2200	1	Plug	
7	9022 371 1350	4	Spline screw IS-M6x25	
8	1128 020 9400	1	Decompression valve	
9	1122 084 1405	1	Cover	
10	1122 029 2301	1	Cylinder gasket 0.5 mm	
11	9512 003 3281	1	Needle cage 12x17x13	
12	1122 140 0604	1	Muffler (1)	13
13	1122 145 0801	1	Exhaust casing (1)	
14	1122 149 0500	1	Gasket (1,2,4)	
15	1122 140 0603	1	Muffler AUS, NZ (2)	16 - 19
16	1122 141 9001	1	Screen (2,4)	
17	1122 140 0800	1	Exhaust casing AUS, NZ (2)	18, 19
18	1118 141 9005	1	Screen AUS, NZ (2)	
19	9099 021 0810	1	Self-tapping screw 4.2x9.5 (2)	
20	0000 148 6000	2	Washer (Tensioning gear) AUS, NZ (2)	
21	1122 140 0607	1	Muffler USA, CDN (2,4)	16, 22
22	1122 145 0807	1	Exhaust casing USA, CDN (2,4)	
23	1122 140 0614	1	Muffler (2,3)	24
24	1122 145 0811	1	Exhaust casing (2,3)	
25	1125 149 0601	1	Muffler gasket	
26	9022 341 0980	2	Spline screw IS-M5x16	
27	9022 341 1300	2	Spline screw IS-M6x20	
28	9022 341 0910	2	Spline screw IS-M5x6	
29	1110 400 7005	1	Spark plug Bosch WSR 6 F	
29	0000 400 7000	1	Spark plug NGK BPMR7A	
	1122 007 1053	1	Set of gaskets	10, 14

(1) MS 650, (2) MS 650 Magnum, (3) MS 650 Magnum BR, (4) MS 650-R Magnum

Oil pump, Chain tensioner kit



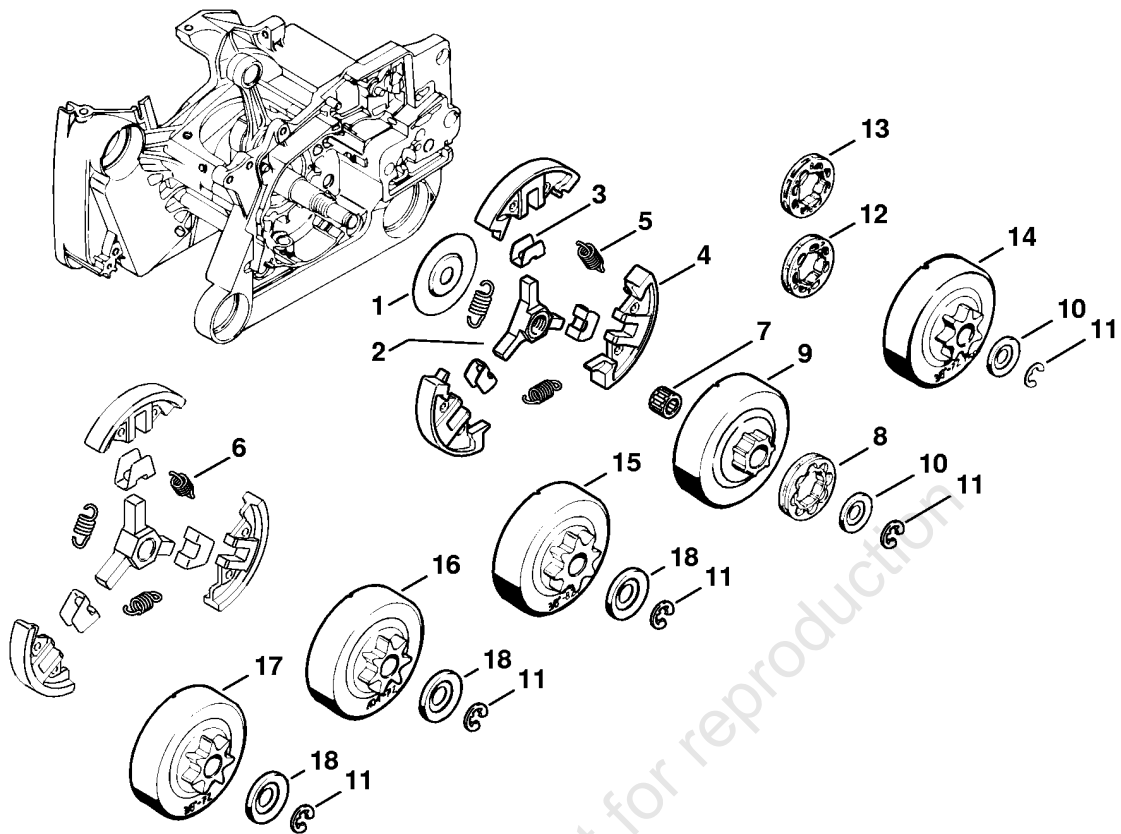
218ET001 SC

(1) MS 650, (2) MS 650 Magnum, (3) MS 650 Magnum BR, (4) MS 650-R Magnum

Oil pump, Chain tensioner kit

Reference	Item number	Qty	Description	Contains
1	1122 649 5000	1	Sealing ring B4x2	
	1122 640 3205	1	Oil pump (0.9 mm stroke)	2 - 9
2	1122 647 0601	1	Pump piston	
3	1128 647 4806	1	Control bolt	
4	1122 640 3005	1	Pump housing	
5	0000 958 0611	2	Washer	
6	0000 997 0629	1	Compression spring	
7	1125 647 7002	1	Plug	
8	9646 945 0160	2	O-ring 4x2	
9	9380 620 1090	1	Roll pin 2x10	
	1122 640 3201	1	Oil pump (1.15 mm stroke) (B) AUS	4 - 11
10	1122 647 0602	1	Pump piston (B) AUS	
11	1128 647 4802	1	Control bolt (B) AUS	
12	9022 313 0660	2	Spline screw IS-M4x12	
13	1122 640 7105	1	Worm	14
14	1122 647 2401	1	Spring	
15	1125 007 1021	1	Spur gear / chain adjusting screw kit	16
16	9646 945 0490	1	O-ring 7x1.5	
17	1125 640 1900	1	Tensioner slide	
18	1125 664 1400	1	Thrust pad	
19	1122 664 2200	1	Cover plate	
20	9041 216 0630	2	Pan head screw M4x8	
21	1122 664 4500	1	Support	
22	1128 664 1001	1	Inner side plate 0.9 mm	
23	1128 664 1002	1	Inner side plate (B)	
24	1122 021 1105	1	Cover	
25	9022 313 0660	4	Spline screw IS-M4x12	

Clutch, Chain sprocket



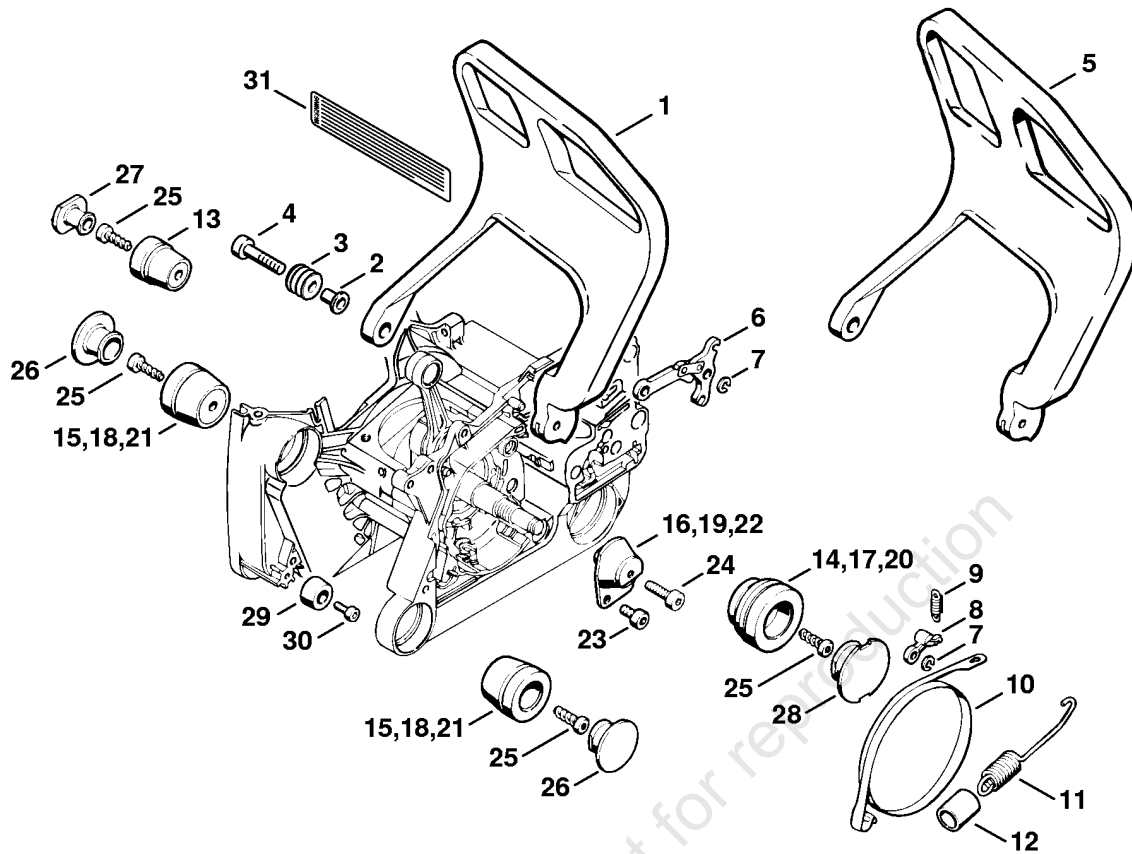
178ET069 SC

(1) MS 650, (2) MS 650 Magnum, (3) MS 650 Magnum BR, (4) MS 650-R Magnum

Clutch, Chain sprocket

Reference	Item number	Qty	Description	Contains	Technical Information
	1122 160 2002	1	Clutch	2 - 5	64.2005
1	1122 162 1000	1	Cover washer 52 mm		
2	1122 160 2300	1	Carrier		
3	0000 162 3001	3	Retainer		
4	1144 162 0802	3	Clutch shoe		10.2008 64.2005
5	0000 997 0912	3	Tension spring		
6	* 0000 997 0911	3	Tension spring		10.2008
7	9512 933 2382	1	Needle cage 10x16x13		
	1122 007 1001	1	Rim sprocket kit 3/8" 8T (B)	8 - 11	
8	0000 642 1216	1	Rim sprocket 3/8" 8T (B)		
9		1	Clutch drum (D)		
10	0000 958 1032	1	Washer Ø 27 mm		
11	9460 624 0801	1	E-clip 8x1.3		
	1122 007 1000	1	Rim sprocket kit 3/8" 7T	9 - 12	
12	0000 642 1223	1	Rim sprocket 3/8" 7T		
	1122 007 1002	1	Rim sprocket kit 0.404" 7T (B)	9 - 11, 13	
13	0000 642 1207	1	Rim sprocket 0.404" 7T (B)		
14	1122 640 2006	1	Chain sprocket 3/8" 7T Picco (B)		
15	1122 640 2000	1	Chain sprocket 3/8" 8T (B)		
16	1122 640 2001	1	Chain sprocket 0.404" 7T (B)		
17	1122 640 2002	1	Chain sprocket 3/8" 7T (B)		
18	0000 958 1029	1	Washer Ø 33 mm (B)		

(1) MS 650, (2) MS 650 Magnum, (3) MS 650 Magnum BR, (4) MS 650-R Magnum



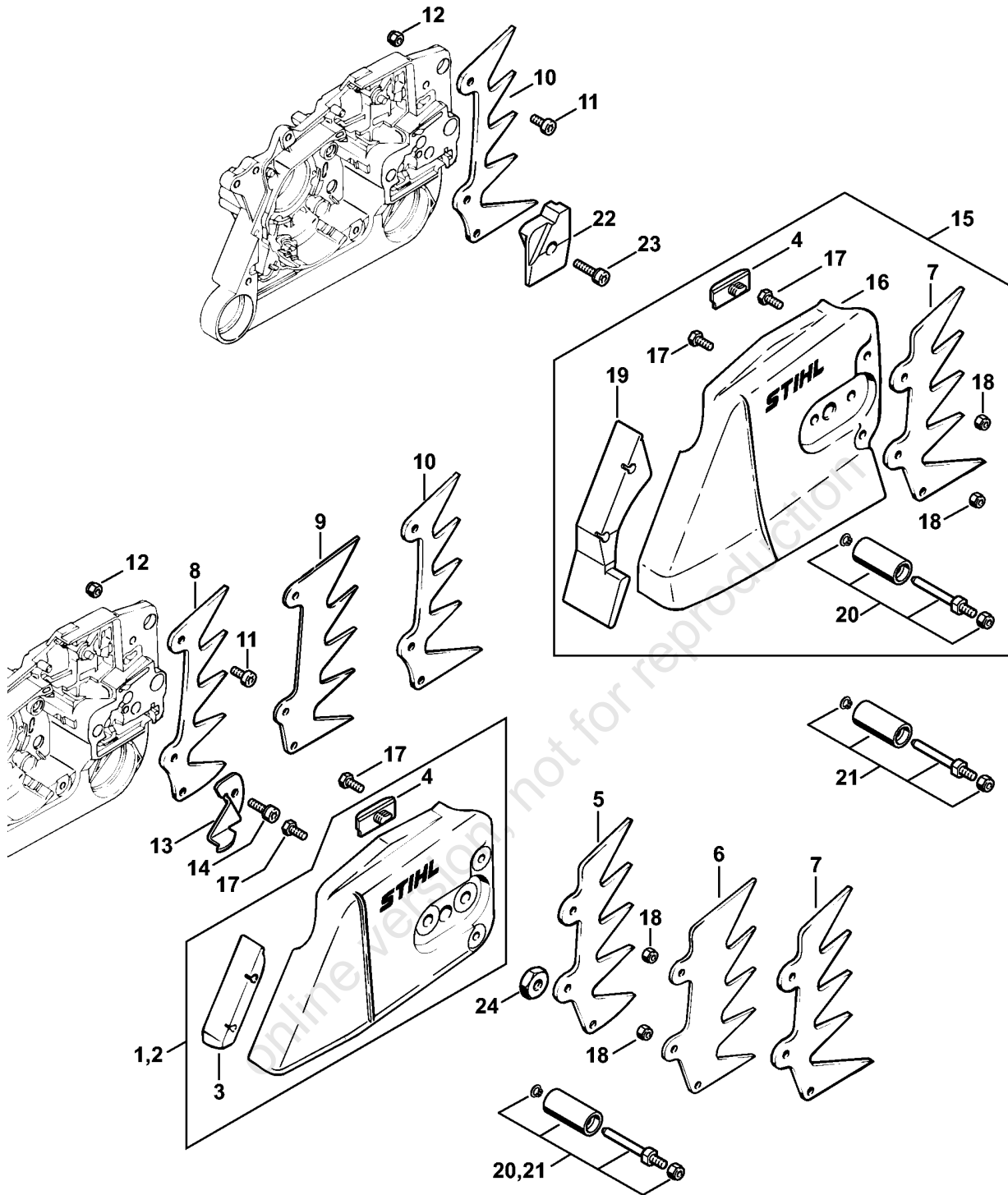
178ET034 SC

AV system

Reference	Item number	Qty	Description	Contains	Technical Information
1	1122 790 9101	1	Hand guard	2 - 4	
2	1124 792 5500	1	Bushing		
3	1124 792 5505	1	Bushing		
4	9022 341 1090	1	Spline screw IS-M5x40		
5	* 1122 790 9102	1	Hand guard	2 - 4	10.2008
6	1128 160 5000	1	Lever		
7	9460 624 0400	2	E-clip 4		
8	1121 162 5010	1	Lever		
9	0000 997 0628	1	Spring		
10	1122 160 5400	1	Brake band		
11	1122 160 5500	1	Tension spring	12	
12	1125 162 8002	1	Hose 20 mm / 13/16"		
		1	AV system soft:		
13	1122 790 9905	1	Annular buffer 1122/05		
14	1122 790 9901	1	Annular buffer 1122/01		
15	1125 790 9906	2	Annular buffer 1125/06		
16	1122 790 9921	1	Annular buffer 1122/21		
		1	AV system normal:		
13	1122 790 9905	1	Annular buffer 1122/05		
17	1122 790 9900	1	Annular buffer 1122/00		
18	1125 790 9904	2	Annular buffer 1125/04		
19	1122 790 9920	1	Annular buffer 1122/20		
		1	AV system hard:		
13	1122 790 9905	1	Annular buffer 1122/05		
20	1122 790 9902	1	Annular buffer 1122/02		
21	1125 790 9910	2	Annular buffer 1125/10		
22	1122 790 9922	1	Annular buffer 1122/22		
23	9022 341 0960	2	Spline screw IS-M5x12		
24	9022 341 0980	1	Spline screw IS-M5x16		
25	9074 478 4435	4	Pan head self-tapping screw IS-P6x19		
26	1125 791 7306	2	Plug		
27	1122 791 7301	1	Plug		
28	1122 791 7300	1	Plug		
29	1122 790 9300	1	Rubber buffer		
30	9022 313 0660	1	Spline screw IS-M4x12		
31	0000 967 3612	1	Instruction label USA		

(1) MS 650, (2) MS 650 Magnum, (3) MS 650 Magnum BR, (4) MS 650-R Magnum

Chain sprocket cover



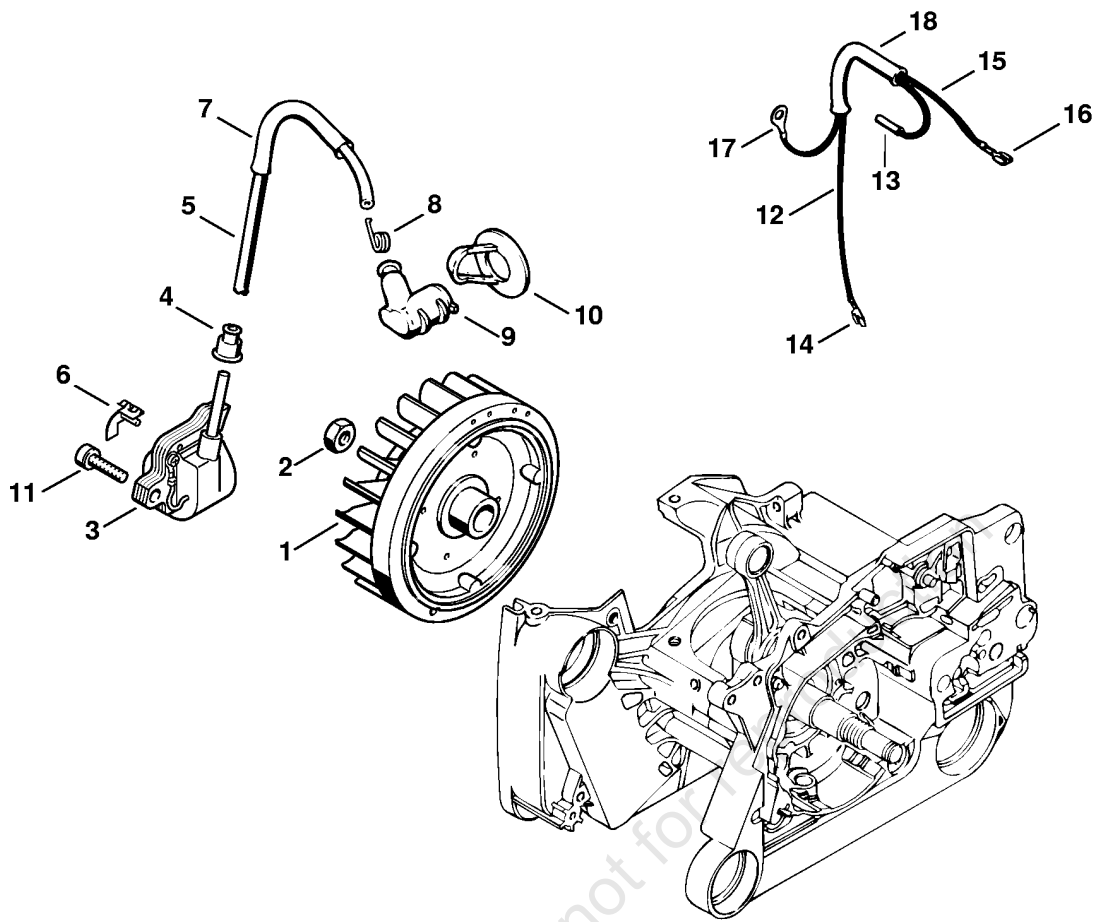
1122-GET-0007-A0

Chain sprocket cover

Reference	Item number	Qty	Description	Contains	Technical Information
1	1122 640 1707	1	Chain sprocket cover (1,2)	3, 4	
2	* 1125 640 1701	1	Chain sprocket cover (B) (1,2,3)	3, 4	10.2007
3	1125 656 1501	1	Guard (1,2)		
4	1121 648 6610	2	Bumper strip		
5	1122 664 0500	1	Bumper spike (1,2)		
6	1122 664 0503	1	Bumper spike (2)		
7	1122 664 0501	1	Bumper spike (3,4)		
8	1122 664 0505	1	Bumper spike (1,2)		
9	1122 664 0508	1	Bumper spike (2)		
10	1122 664 0506	1	Bumper spike (3,4)		
11	9022 341 0960	1	Spline screw IS-M5x12		
12	9214 320 0700	1	Lock nut M5		
13	1122 656 7700	1	Chain catcher (1,2)		
14	9022 341 1019	1	Spline screw IS-M5x20 (1,2)		
15	1122 640 1711	1	Chain sprocket cover (3,4)	4, 7, 16 - 20	
16	1122 648 0403	1	Chain sprocket cover (3,4)		
17	9008 345 0960	2	Hexagon head screw M5x12		
18	9214 320 0700	2	Lock nut M5		
19	1122 656 1510	1	Guard (3,4)		
20	1122 650 7702	1	Chain catcher (3,4)		
21	1122 650 7702	1	Chain catcher AUS, NZ (2)		
22	1122 640 8300	1	Bumper strip (3,4)		
23	9022 341 1019	1	Spline screw IS-M5x20 (3,4)		
24	0000 955 0801	2	Hexagon nut M8		

(1) MS 650, (2) MS 650 Magnum, (3) MS 650 Magnum BR, (4) MS 650-R Magnum

Ignition system



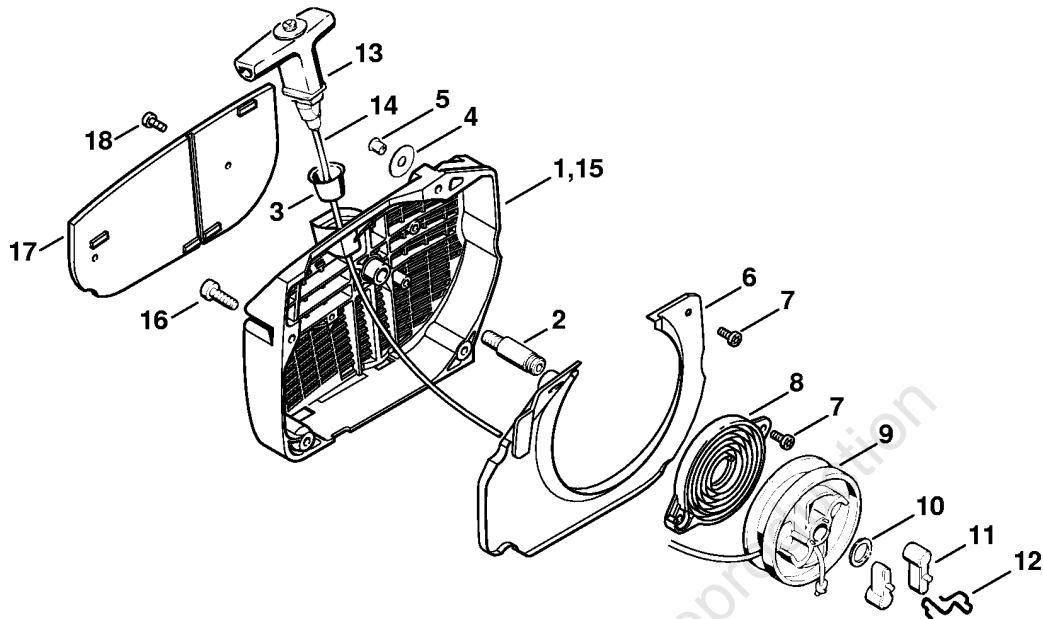
218ET002 SC

(1) MS 650, (2) MS 650 Magnum, (3) MS 650 Magnum BR, (4) MS 650-R Magnum

Ignition system

Reference	Item number	Qty	Description	Contains	Technical Information
1	1122 400 1217	1	Flywheel		25.2005
2	9211 260 1340	1	Hexagon nut M10x1		
3	1122 400 1314	1	Ignition module	4 - 6	
4	0000 989 1010	1	Grommet		
5		1	Ignition lead 185 mm (D)		
	0000 405 0600	1	Ignition lead 1 m (B)		
	0000 930 2251	1	Ignition lead 10 m (B)		
6	0000 448 1250	1	Lead retainer		
7	1117 442 0905	1	Insulating hose 110 mm / 4.3"		
8	0000 998 0604	1	Spark plug contact spring		
9	1128 405 1000	1	Spark plug boot		
10	1128 084 1400	1	Spark plug boot cover		
11	9022 341 1019	2	Spline screw IS-M5x20		
12	1121 440 1103	1	Short circuit wire 305 mm / 12.1"	13, 14	
13	1119 442 7000	1	Contact sleeve (C)		
14	0751 030 8957	1	Terminal socket 4.8-1/0.8 (C)		
15	1122 440 2201	1	Ground wire 270 mm / 10 5/8"	16, 17	
16	0751 030 8955	1	Terminal socket 4.8-1/0.4 (C)		
17	0751 030 8969	1	Terminal socket A5-1.5 (C)		
18	1122 442 0400	1	Insulating hose 100 mm / 4"		

Rewind starter



online version, not for reproduction

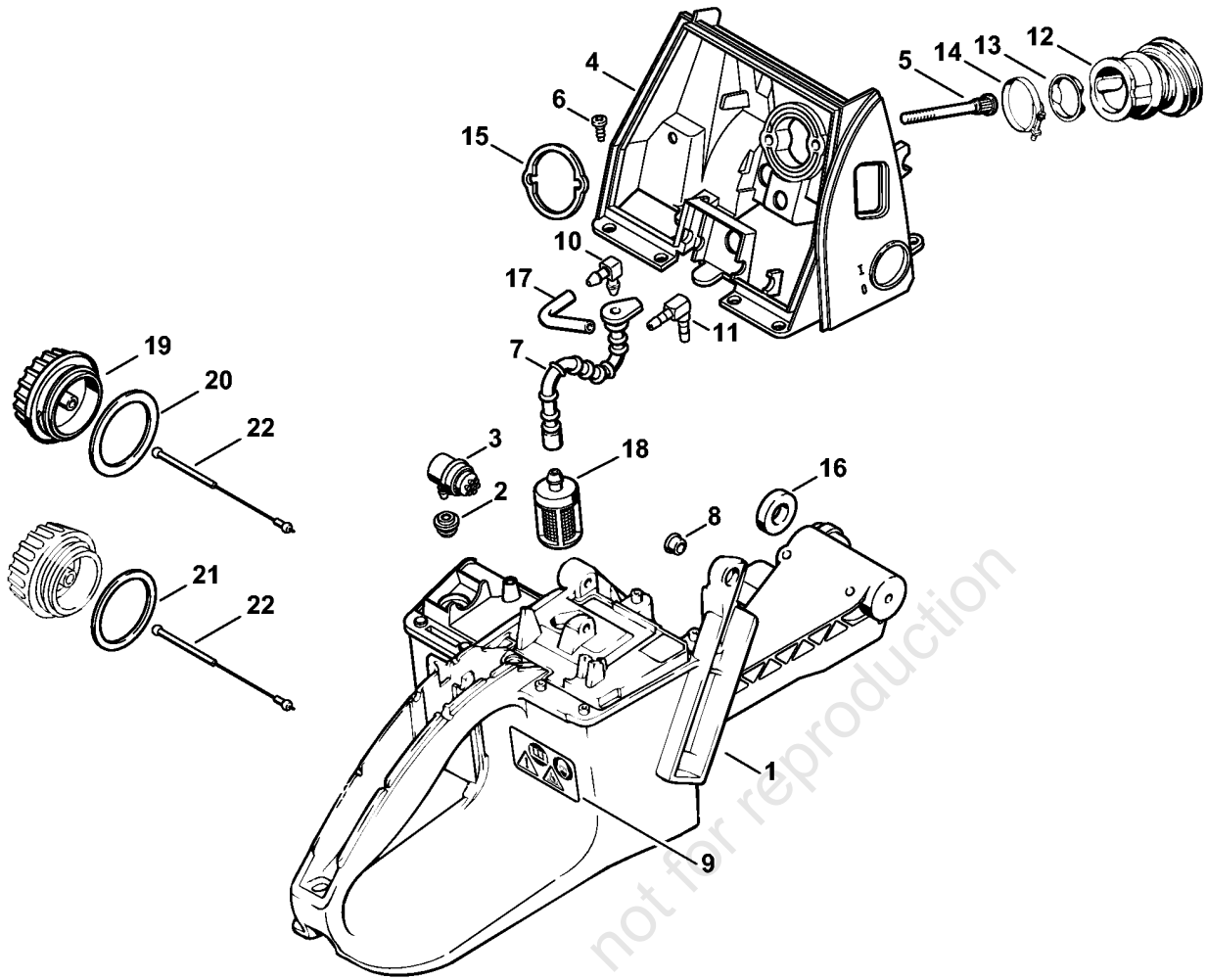
178ET006 SC

Rewind starter

Reference	Item number	Qty	Description	Contains
	1122 080 2110	1	Fan housing with rewind starter (1,2,4)	1 - 14
1	1122 080 1816	1	Fan housing (1,2,4)	2 - 7
2	1122 084 6502	1	Axle	
3	1110 084 9102	1	Bushing	
4	0000 958 0607	1	Washer	
5	9416 868 6530	1	Hollow rivet 6.5x0.5x6.8	
6	1122 084 7809	1	Segment	
7	9022 341 0650	4	Spline screw IS-M4x10	
8	1122 190 0605	1	Rewind spring	
9	1122 195 0400	1	Rope rotor	
10	1119 162 8925	1	Washer Ø 12 mm	
11	1124 195 7200	2	Pawl	
12	1124 195 3500	1	Spring	
13	1122 190 3400	1	Starter grip ElastoStart Ø 4,5 mm	14
14	1122 190 2900	1	Starter rope Ø 4.5 mm	
	0000 930 2268	1	Starter rope Ø 4.5mm / 28 pieces (B)	
15	1122 080 2102	1	Fan housing with rewind starter available in Brazil only (3)	1 - 14
16	9022 371 1020	3	Spline screw IS-M5x20	
17	1122 084 8207	1	Cover plate (B)	
18	9022 341 0650	2	Spline screw IS-M4x10 (B)	

(1) MS 650, (2) MS 650 Magnum, (3) MS 650 Magnum BR, (4) MS 650-R Magnum

Tank housing



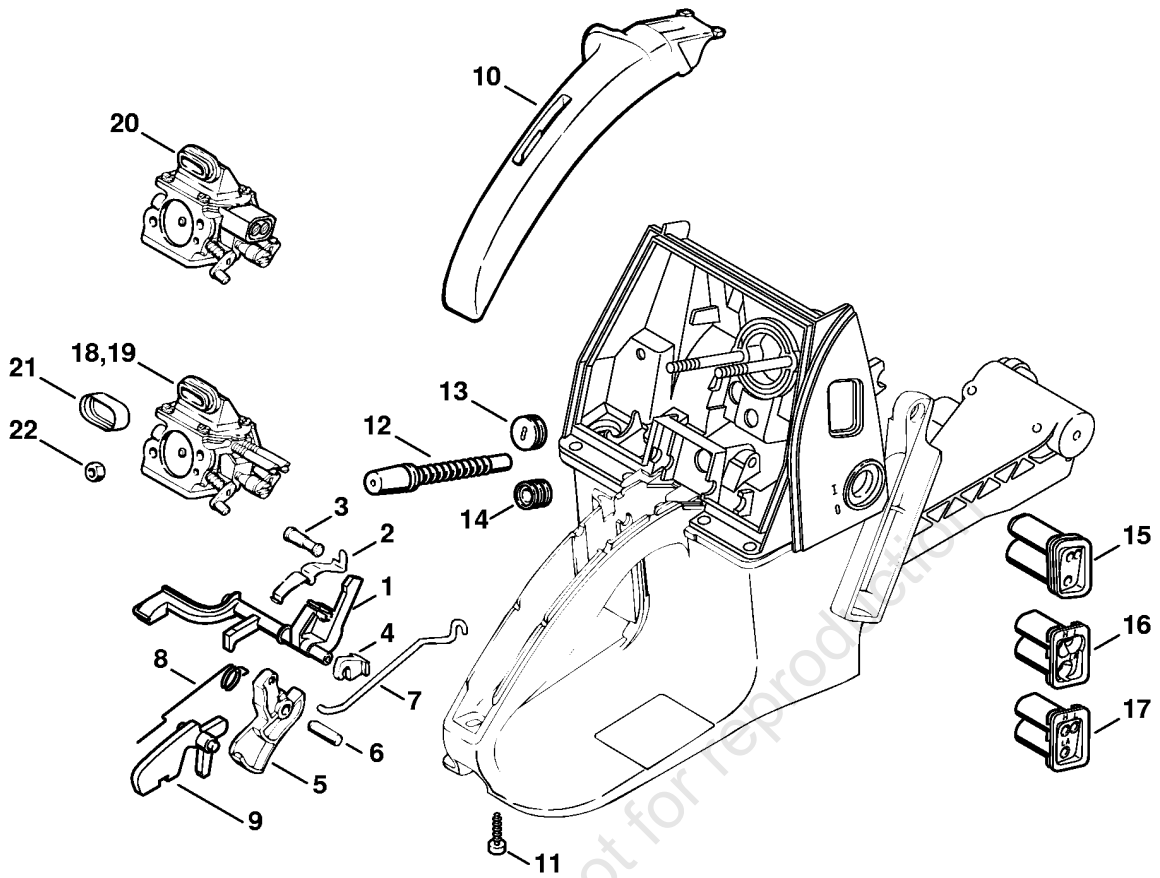
218ET020-SC

(1) MS 650, (2) MS 650 Magnum, (3) MS 650 Magnum BR, (4) MS 650-R Magnum

Tank housing

Reference	Item number	Qty	Description	Contains	Technical Information
1	1122 350 0826	1	Tank housing	2 - 10	
2	1122 353 9200	1	Grommet		
3	0000 350 5802	1	Tank vent		
4	1122 120 0104	1	Carburetor housing	5	
5	1122 122 6602	2	Collar screw		
6	9104 003 0650	6	Self-tapping screw P4x10		
7	1124 358 7700	1	Hose		
8	0000 963 0808	1	Bushing		
9	0000 967 7247	1	Warning pictogram MS		
10	4224 122 3900	1	Elbow connector		
11	* 1122 353 2600	1	Elbow connector		
12	1122 141 2201	1	Manifold		
13	1122 141 1805	1	Sleeve		
14	9771 021 2620	1	Hose clip Ø 36x5		
15	1128 121 8600	1	Washer		
16	1128 791 8400	1	Ring		
17		1	Hose 3.1x5.7x52 mm, R5 (D)		
	0000 937 5004	1	Hose 3.1x5.7 mm x 1 m R5 (A,B)		
18	0000 350 3518	1	Pickup body		
19	0000 350 0509	1	Filler cap	20, 22	
20	0000 359 1203	1	Sealing ring		
21	* 0000 359 1230	1	Sealing ring		44.2007
22	0000 350 0900	1	Rope		

Throttle control

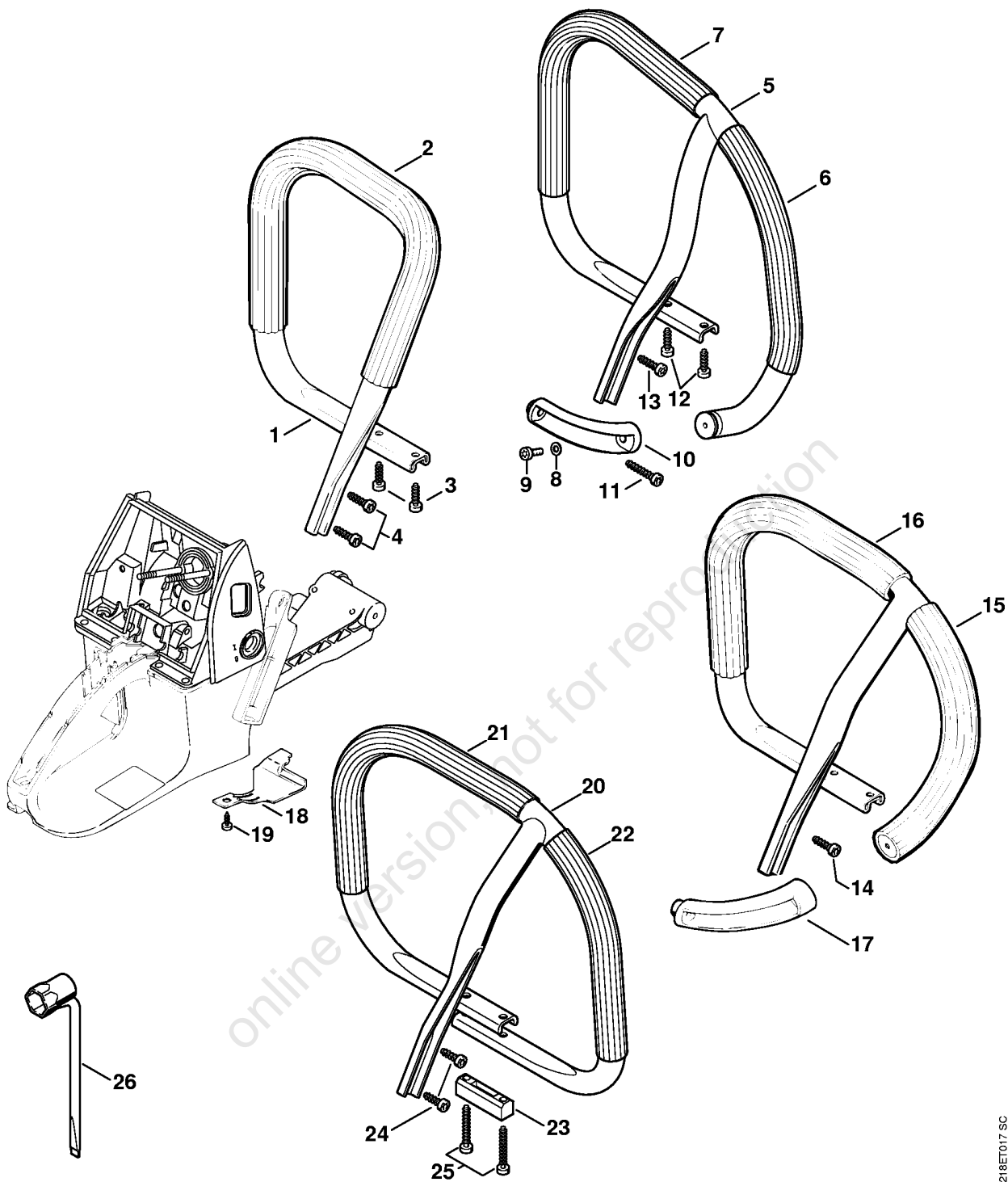


218ET013 SC

(1) MS 650, (2) MS 650 Magnum, (3) MS 650 Magnum BR, (4) MS 650-R Magnum

Throttle control

Reference	Item number	Qty	Description	Contains
1	1122 182 0902	1	Switch shaft	
2	1130 442 1602	1	Contact spring	
3	1122 442 2500	1	Axle	
4	1122 182 2100	1	Support	
5	1122 180 1500	1	Throttle trigger	6
6	9371 470 2600	1	Cylindrical pin 5x16	
7	1122 182 1502	1	Throttle rod	
8	1117 182 4500	1	Torsion spring	
9	1117 182 0805	1	Lockout lever	
10	1122 791 0600	1	Handle molding	
11	9074 478 3076	1	Pan head self-tapping screw IS-P4x19	
12	1127 141 8600	1	Impulse hose	
13	0000 989 0812	1	Grommet	
14	1122 182 0700	1	Grommet	
15	1122 123 7501	1	Grommet (C) (4)	
16	1122 123 7504	1	Grommet (1,2,4)	
17	1122 123 7503	1	Grommet AUS, NZ (2)	
17	1122 123 7503	1	Grommet (3)	
18	1122 120 0621	1	Carburetor WJ-67B AUS, NZ (2)	
18	1122 120 0621	1	Carburetor WJ-67B (3)	
19	1122 120 0623	1	Carburetor WJ-76B BR (3)	
20	1122 120 0618	1	Carburetor WJ-69C (1,2,4)	
21	1124 121 9100	1	Bushing	
22	9210 260 0700	2	Hexagon nut M5	



(1) MS 650, (2) MS 650 Magnum, (3) MS 650 Magnum BR, (4) MS 650-R Magnum

Handlebar

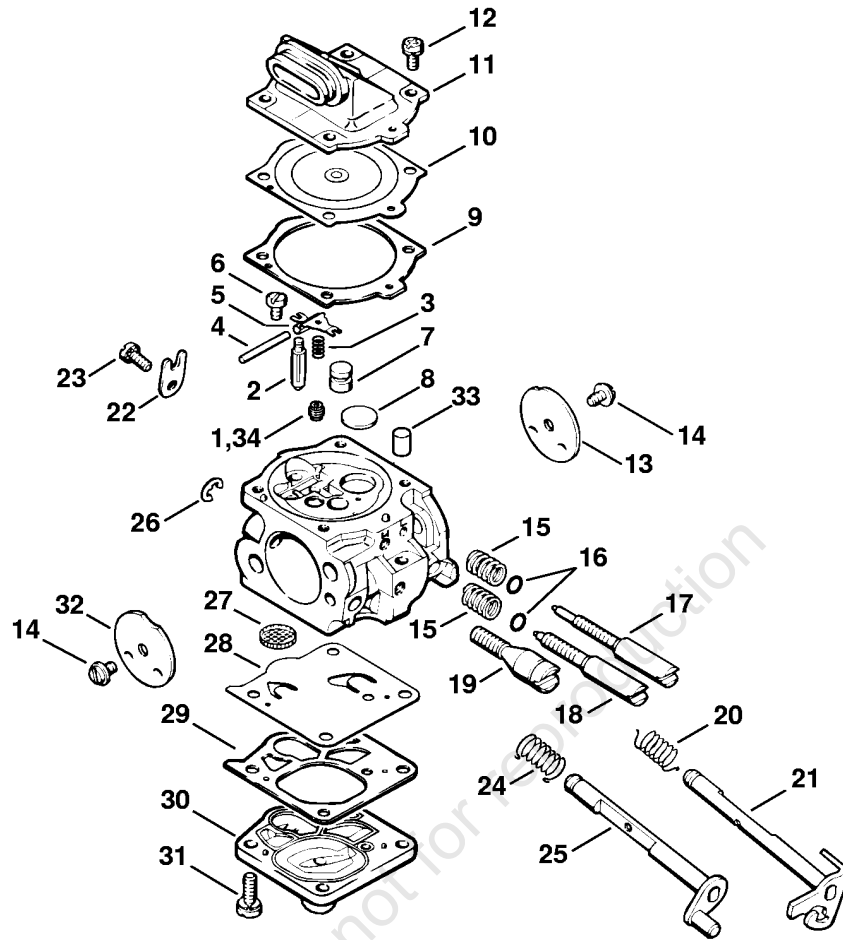
Reference	Item number	Qty	Description	Contains	Technical Information
1	1122 790 1750	1	Handlebar (1,2,3)	2	
2		1	Handle hose 460 mm / 18 1/8" (D) (1,2,3)		
	0000 791 2009	1	Handle hose Ø 19 mm x 5 m / 3/4x197" (A,B)		
3	9074 478 4435	2	Pan head self-tapping screw IS-P6x19 (1,2,3)		
4	9074 478 4475	2	Pan head self-tapping screw IS-P6x21.5 (1,2,3)		
5	1122 790 3611	1	Wrap around handlebar (4)	6 - 10	
6		1	Handle hose 220 mm / 8 5/8" (D) (4)		
7		1	Handle hose 380 mm / 15" (D) (4)		
8	9307 021 0120	1	Washer 5.3 (4)		
9	9022 371 1020	1	Spline screw IS-M5x20 (4)		
10	1122 791 5501	1	Elbow connector (4)		
11	9074 478 4675	1	Pan head self-tapping screw IS-P6x32.5 (4)		
12	9074 478 4435	2	Pan head self-tapping screw IS-P6x19 (4)		
13	9074 478 4475	1	Pan head self-tapping screw IS-P6x21.5 (4)		
14	* 9074 478 4435	1	Pan head self-tapping screw IS-P6x19 (4)		10.2008
	* 1122 790 3650	1	Wrap around handlebar (4)	5 - 10	10.2008
15	*	1	Handle hose 265 mm / 10 7/16" (D) (4)		10.2008
16	*	1	Handle hose 370 mm / 14 9/16" (D) (4)		10.2008
17	* 1122 791 5500	1	Elbow connector (4)		10.2008
18	1122 351 0901	1	Guard (2,4)	19	
19	9074 478 2970	1	Pan head self-tapping screw IS-P4x10 (2,4)		
	* 1122 007 1003	1	Set wrap around handlebar (B) CDN	20 - 26	10.2008
20	*	1	Wrap around handlebar (B,D) CDN		10.2008
21	*	1	Handle hose 420 mm / 16 1/2" (D) CDN		10.2008
22	*	1	Handle hose 240 mm / 9 1/2" (D) CDN		10.2008
23	* 1122 791 4500	1	Spacer (B) CDN		10.2008
24	* 9074 478 4435	2	Pan head self-tapping screw IS-P6x19 (B) CDN		10.2008

(1) MS 650, (2) MS 650 Magnum, (3) MS 650 Magnum BR, (4) MS 650-R Magnum

Handlebar

Reference	Item number	Qty	Description	Contains	Technical Information
25	* 9074 478 4705	2	Pan head self-tapping screw IS-P6x40 (B) CDN		10.2008
26	* 1124 890 3400	1	Combination wrench (B) CDN		10.2008

online version, not for reproduction

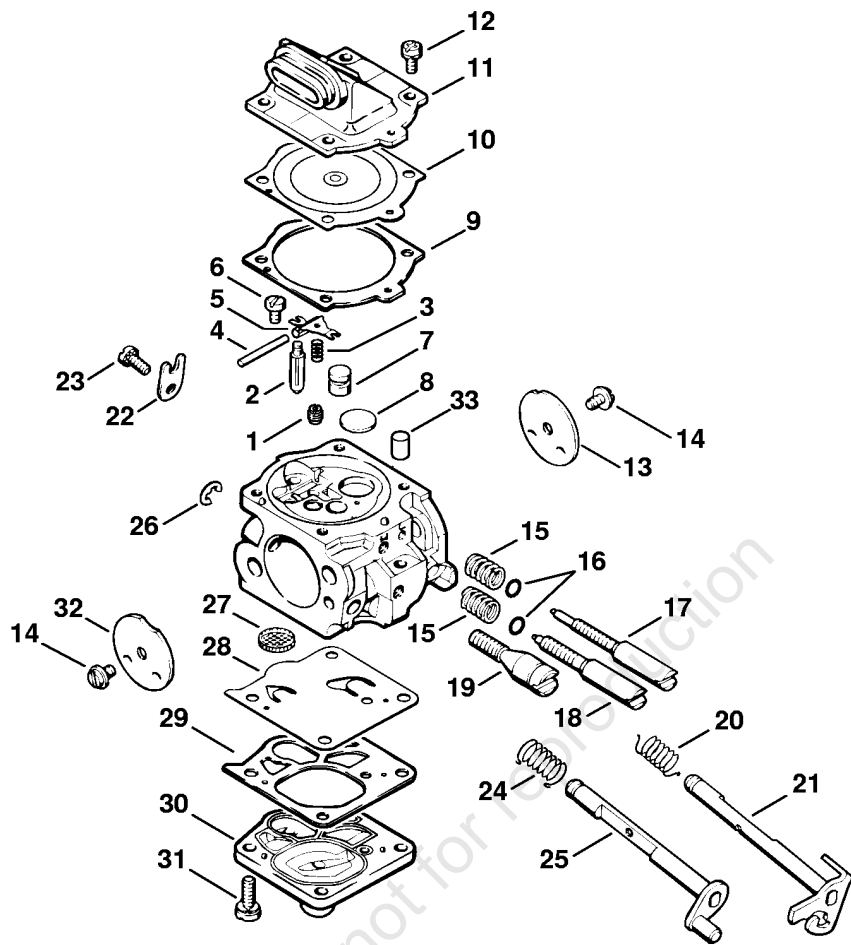


(1) MS 650, (2) MS 650 Magnum, (3) MS 650 Magnum BR, (4) MS 650-R Magnum

Carburetor WJ-67

Reference	Item number	Qty	Description	Contains
	1122 120 0621	1	Carburetor WJ-67B AUS, NZ (2)	1 - 33
	1122 120 0621	1	Carburetor WJ-67B (3)	1 - 33
1	1122 121 5604	1	Fixed jet 0.64 (2,3)	
2	1110 121 5100	1	Inlet needle (2,3)	
3	1117 122 3005	1	Spring (2,3)	
4	1117 121 9200	1	Spindle (2,3)	
5	1117 121 5000	1	Inlet control lever (2,3)	
6	1114 122 7400	1	Round head screw (2,3)	
7	1115 121 5401	1	Valve jet (2,3)	
8	1122 121 0700	1	Cup plug (2,3)	
9	1116 129 0900	1	Gasket (2,3)	
10	1117 121 4700	1	Metering diaphragm (2,3)	
11	1122 121 0805	1	End cover (2,3)	
12	1121 122 7101	4	Screw (2,3)	
13	1115 121 3301	1	Throttle shutter (2,3)	
14	1115 122 7400	2	Round head screw (2,3)	
15	1128 122 3003	2	Spring (2,3)	
16		1	Sealing ring (D) (2,3)	
17	1122 122 6802	1	Low speed screw (2,3)	16
18	1122 122 6706	1	High speed screw (2,3)	16
19	1122 122 6200	1	Idle speed screw (2,3)	
20	1122 122 3200	1	Torsion spring (2,3)	
21	1122 120 7101	1	Throttle shaft with lever (2,3)	
22	1110 122 9300	1	Clip (2,3)	
23	1106 122 7400	1	Round head screw (2,3)	
24	1122 122 3205	1	Torsion spring (2,3)	
25	1122 120 7200	1	Choke shaft with lever (2,3)	
26	1117 122 9000	1	E-clip (2,3)	
27	1114 121 7800	1	Strainer (2,3)	
28	1115 121 4800	1	Pump diaphragm (2,3)	
29	1115 129 1100	1	Gasket (2,3)	
30	1115 120 0800	1	End cover (2,3)	
31	1121 122 7101	4	Screw (2,3)	
32	1122 121 2900	1	Choke shutter (2,3)	
33	1122 121 7700	1	Clamp (2,3)	
34	1122 121 5603	1	Fixed jet 0.62 (B) High altitude (2,3)	
	1122 007 1060	1	Set of carburetor parts (2,3)	9, 10, 28, 29

(1) MS 650, (2) MS 650 Magnum, (3) MS 650 Magnum BR, (4) MS 650-R Magnum



online version, not for reproduction

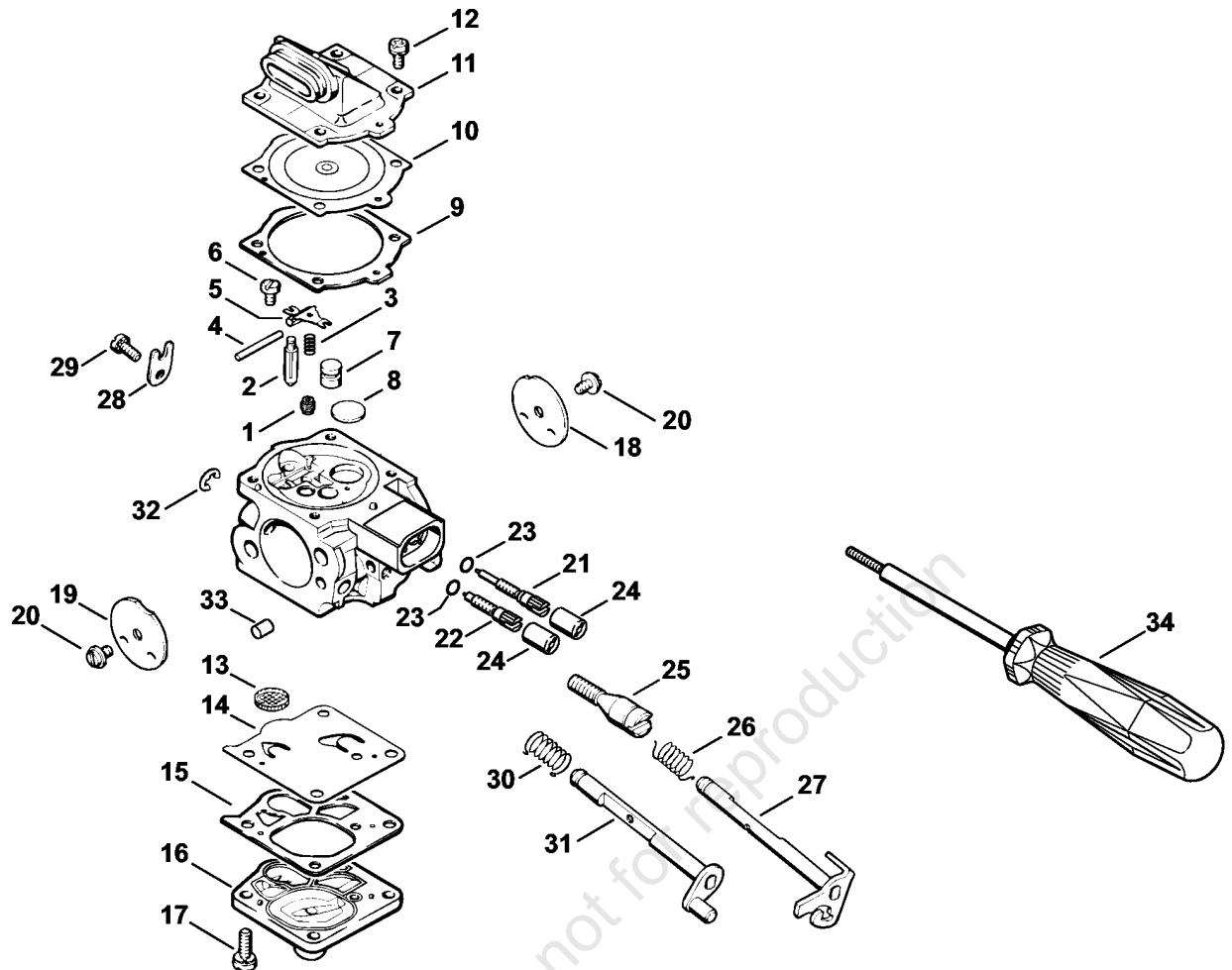
178ET032 SC

(1) MS 650, (2) MS 650 Magnum, (3) MS 650 Magnum BR, (4) MS 650-R Magnum

Carburetor WJ-76

Reference	Item number	Qty	Description	Contains
	1122 120 0623	1	Carburetor WJ-76B BR (3)	1 - 33
1	1122 121 5607	1	Fixed jet 0.74 (3)	
2	1110 121 5100	1	Inlet needle (3)	
3	1117 122 3005	1	Spring (3)	
4	1117 121 9200	1	Spindle (3)	
5	1117 121 5000	1	Inlet control lever (3)	
6	1114 122 7400	1	Round head screw (3)	
7	1115 121 5401	1	Valve jet (3)	
8	1122 121 0700	1	Cup plug (3)	
9	1116 129 0900	1	Gasket (3)	
10	1117 121 4700	1	Metering diaphragm (3)	
11	1122 121 0805	1	End cover (3)	
12	1121 122 7101	4	Screw (3)	
13	1115 121 3301	1	Throttle shutter (3)	
14	1115 122 7400	2	Round head screw (3)	
15	1128 122 3003	2	Spring (3)	
16		1	Sealing ring (D) (3)	
17	1122 122 6802	1	Low speed screw (3)	16
18	1122 122 6706	1	High speed screw (3)	16
19	1122 122 6200	1	Idle speed screw (3)	
20	1122 122 3200	1	Torsion spring (3)	
21	1122 120 7101	1	Throttle shaft with lever (3)	
22	1110 122 9300	1	Clip (3)	
23	1106 122 7400	1	Round head screw (3)	
24	1122 122 3205	1	Torsion spring (3)	
25	1122 120 7200	1	Choke shaft with lever (3)	
26	1117 122 9000	1	E-clip (3)	
27	1114 121 7800	1	Strainer (3)	
28	1115 121 4800	1	Pump diaphragm (3)	
29	1115 129 1100	1	Gasket (3)	
30	1115 120 0800	1	End cover (3)	
31	1121 122 7101	4	Screw (3)	
32	1122 121 2900	1	Choke shutter (3)	
33	1122 121 7700	1	Clamp (3)	
	1122 007 1060	1	Set of carburetor parts (3)	9, 10, 28, 29

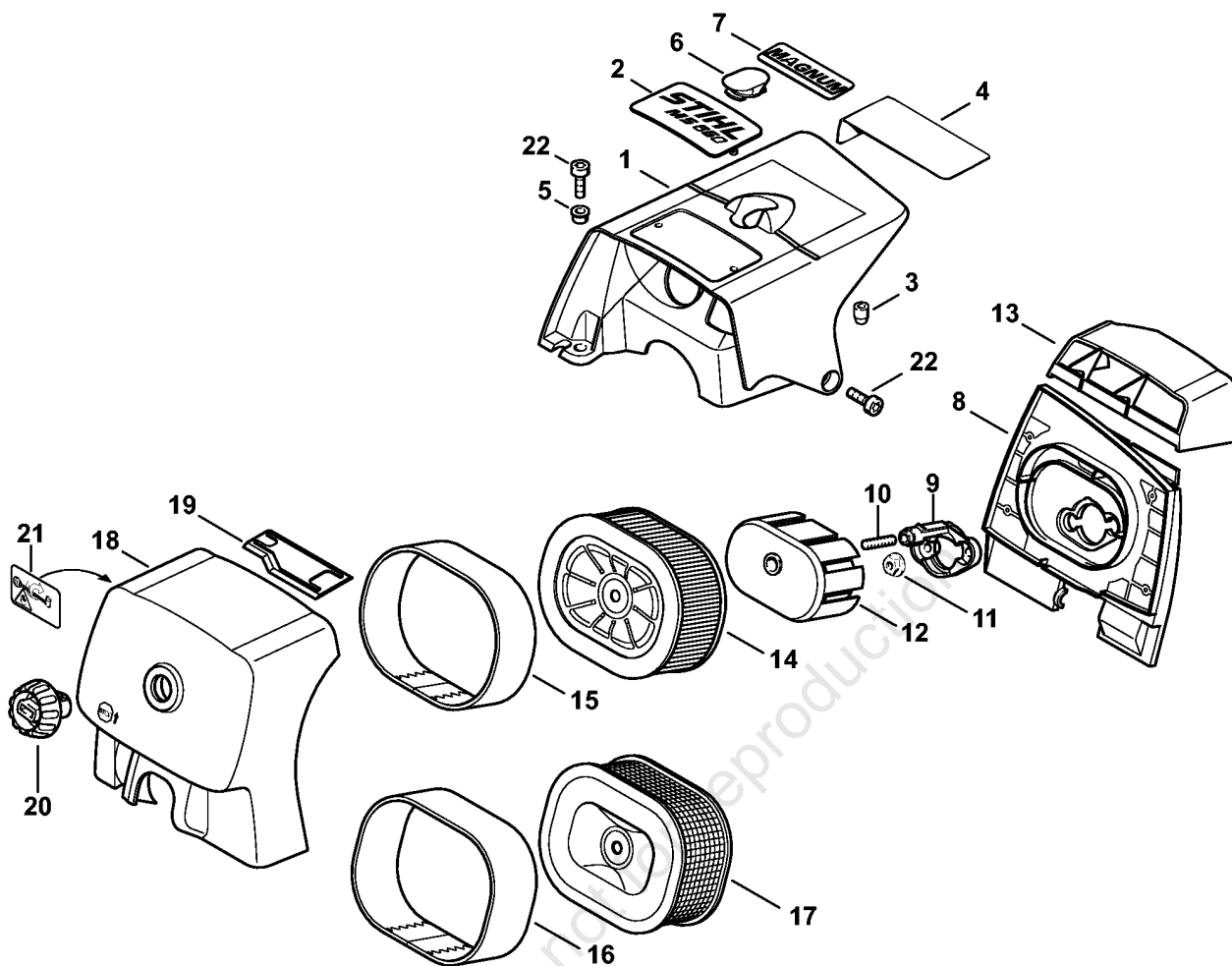
Carburetor WJ-69



(1) MS 650, (2) MS 650 Magnum, (3) MS 650 Magnum BR, (4) MS 650-R Magnum

Carburetor WJ-69

Reference	Item number	Qty	Description	Contains
	1122 120 0618	1	Carburetor WJ-69C USA, CDN (1,2,4)	1 - 33
1	1122 121 5603	1	Fixed jet 0.62 (1,2,4)	
2	1110 121 5100	1	Inlet needle (1,2,4)	
3	1117 122 3005	1	Spring (1,2,4)	
4	1117 121 9200	1	Spindle (1,2,4)	
5	1117 121 5000	1	Inlet control lever (1,2,4)	
6	1114 122 7400	1	Round head screw (1,2,4)	
7	1115 121 5401	1	Valve jet (1,2,4)	
8	1122 121 0700	1	Cup plug (1,2,4)	
9	1116 129 0900	1	Gasket (1,2,4)	
10	1117 121 4700	1	Metering diaphragm (1,2,4)	
11	1122 121 0805	1	End cover (1,2,4)	
12	1121 122 7101	4	Screw (1,2,4)	
13	1114 121 7800	1	Strainer (1,2,4)	
14	1115 121 4800	1	Pump diaphragm (1,2,4)	
15	1115 129 1100	1	Gasket (1,2,4)	
16	1115 120 0800	1	End cover (1,2,4)	
17	1121 122 7101	4	Screw (1,2,4)	
18	1115 121 3301	1	Throttle shutter (1,2,4)	
19	1122 121 2900	1	Choke shutter (1,2,4)	
20	1115 122 7400	2	Round head screw (1,2,4)	
21	1122 122 6803	1	Low speed screw (1,2,4)	23
22	1122 122 6703	1	High speed screw (1,2,4)	23
23		1	Sealing ring (D) (1,2,4)	
24	4203 121 2700	2	Cap (1,2,4)	
25	1122 122 6200	1	Idle speed screw (1,2,4)	
26	1122 122 3200	1	Torsion spring (1,2,4)	
27	1122 120 7101	1	Throttle shaft with lever (1,2,4)	
28	1110 122 9300	1	Clip (1,2,4)	
29	1106 122 7400	1	Round head screw (1,2,4)	
30	1122 122 3205	1	Torsion spring (1,2,4)	
31	1122 120 7200	1	Choke shaft with lever (1,2,4)	
32	1117 122 9000	1	E-clip (1,2,4)	
33	1122 121 7700	1	Clamp (1,2,4)	
34	5910 890 4500	1	Puller (B) (1,2,4)	
	1122 007 1060	1	Set of carburetor parts (1,2,4)	9, 10, 14, 15



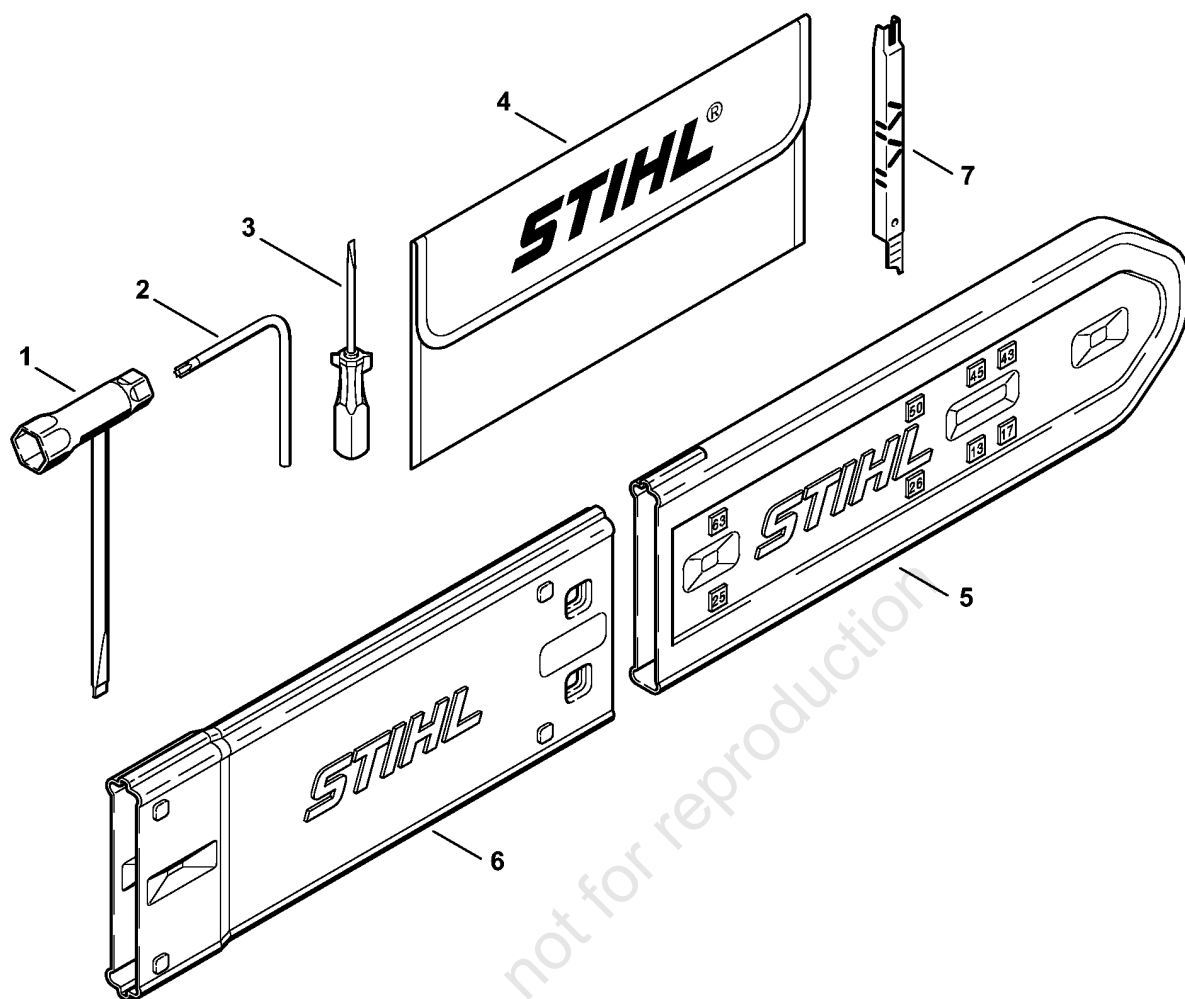
218ET019 SC

(1) MS 650, (2) MS 650 Magnum, (3) MS 650 Magnum BR, (4) MS 650-R Magnum

Shroud, Air filter

Reference	Item number	Qty	Description	Contains	Technical Information
1	1122 080 1609	1	Shroud	2 - 5	
2	1122 967 1508	1	Model plate MS 650		
3	1121 084 7100	1	Cap		
4	1124 084 8300	1	Reflector foil		
5	0000 963 0808	3	Bushing		
6	1122 084 7101	1	Cap available in Brazil only		
7	0000 967 1593	1	Model plate Magnum (2,3,4)		
8	1122 120 3402	1	Filter base		
9	1122 120 2200	1	Flange	10	
10	9121 319 0960	1	Stud M5x12x9		
11	9216 261 0700	2	Hexagon nut M5		
12	1122 121 6900	1	Baffle		
13	1122 141 6300	1	Air baffle		
14	0000 140 4402	1	Air filter HD2		
15	0000 141 0601	1	Prefilter (B)		
16	* 0000 141 0300	1	Prefilter		47.2010
17	0000 120 1653	1	Air filter, wire mesh (B)		
18	1122 140 1002	1	Filter cover	19, 20	
19	1122 141 4000	1	Slide		
20	1124 140 9500	1	Twist lock		
21	0000 967 3692	1	Warning pictogram Filler cap USA, CDN		
22	9022 341 0980	3	Spline screw IS-M5x16		

(1) MS 650, (2) MS 650 Magnum, (3) MS 650 Magnum BR, (4) MS 650-R Magnum

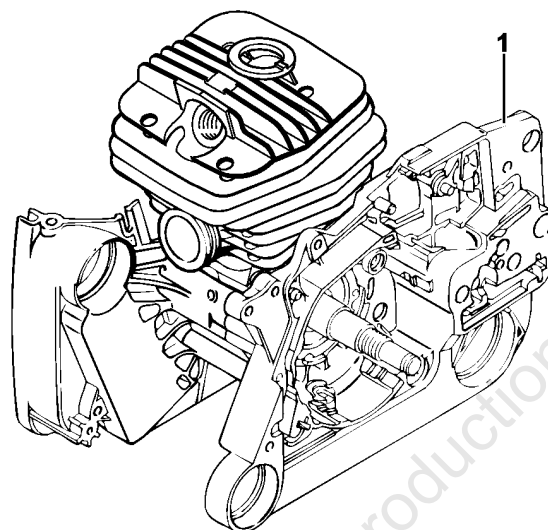


(1) MS 650, (2) MS 650 Magnum, (3) MS 650 Magnum BR, (4) MS 650-R Magnum

Tools, Extras

Reference	Item number	Qty	Description	Contains
	1121 890 1400	1	Tool kit	1 - 4
1	1129 890 3401	1	Combination wrench	
2	0812 370 1000	1	Screwdriver T27x120x70	
3	0000 890 2300	1	Screwdriver (1,2,3,4)	
4	0000 891 0810	1	Tool roll (1,2,3,4)	
5	0000 792 9129	1	Chain scabbard	
6	0000 792 9132	1	Chain scabbard extension up to 63 cm (C)	
7	1110 893 4000	1	Filing gauge (B)	

online version, not for reproduction



online version, not for reproduction

178ET068 SC

Serial number

Reference	Qty	Description
1	1	Position of serial number

online version, not for reproduction