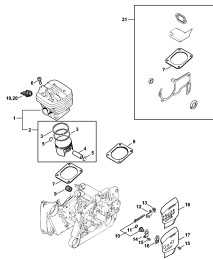
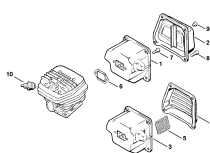


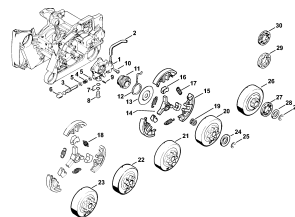
Crankcase



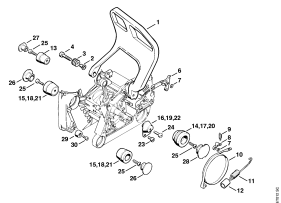
Cylinder



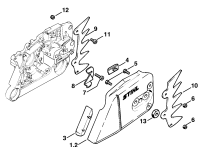
Muffler



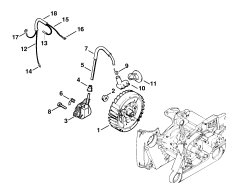
Oil pump, Clutch



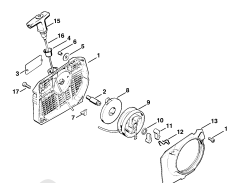
AV system



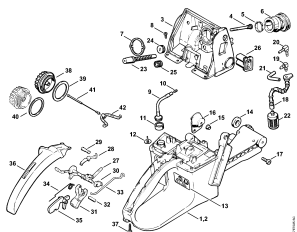
Chain sprocket cover



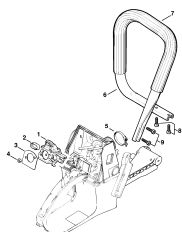
Ignition system



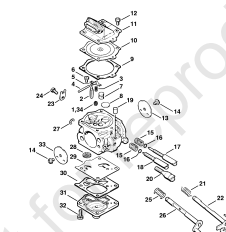
Rewind starter



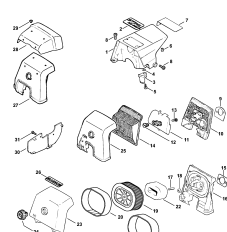
Tank housing



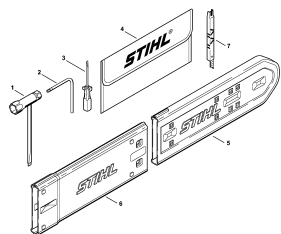
Handlebar



Carburetor WJ-65



Shroud, Air filter



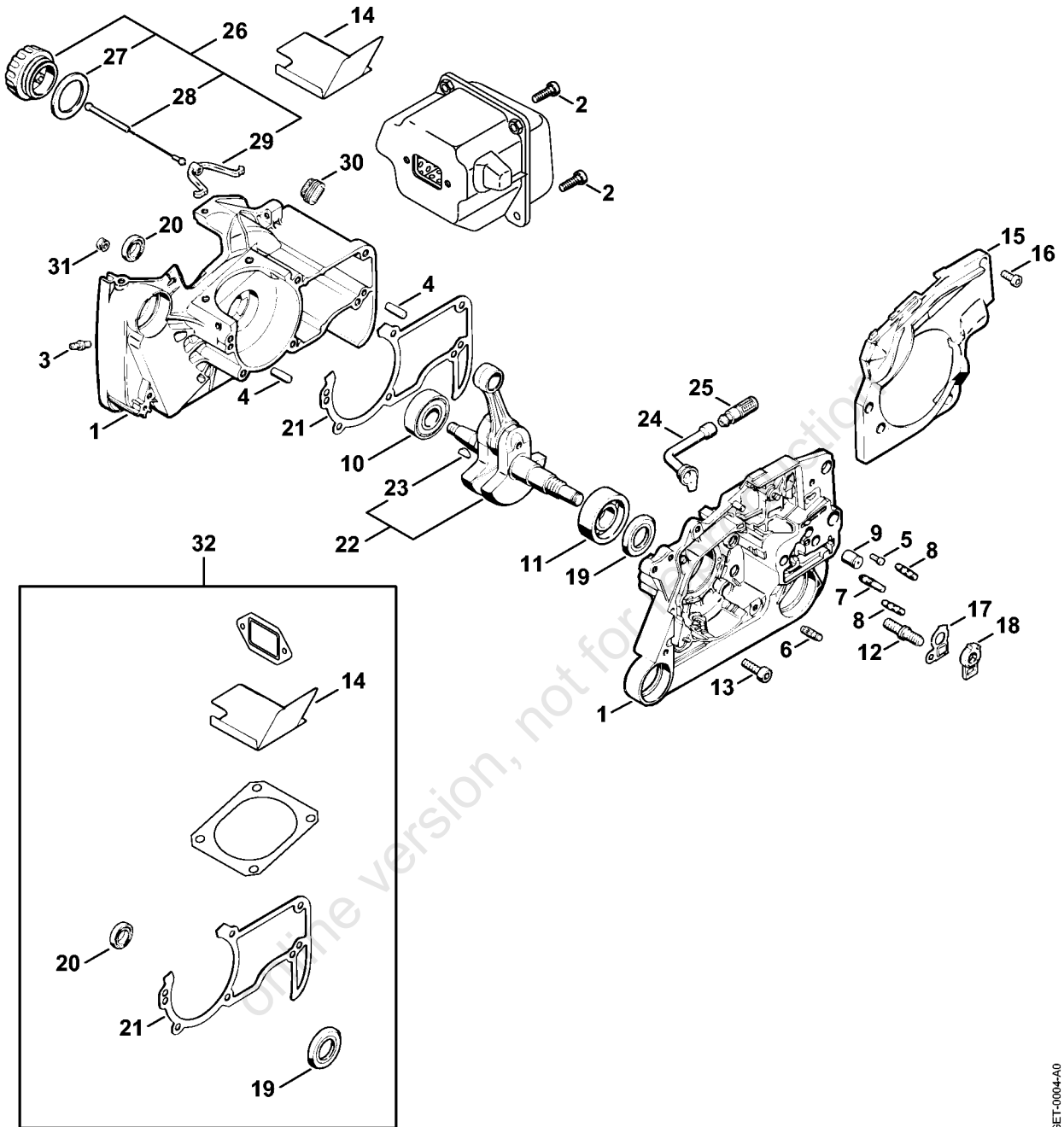
Tools, Extras

online version, not for production

Description	Technical Information
Crankcase	
Cylinder	
Muffler	
Oil pump, Clutch	
AV system	
Chain sprocket cover	
Ignition system	
Rewind starter	
Tank housing	
Handlebar	
Carburetor WJ-65	
Shroud, Air filter	
Tools, Extras	

online version, not for reproduction

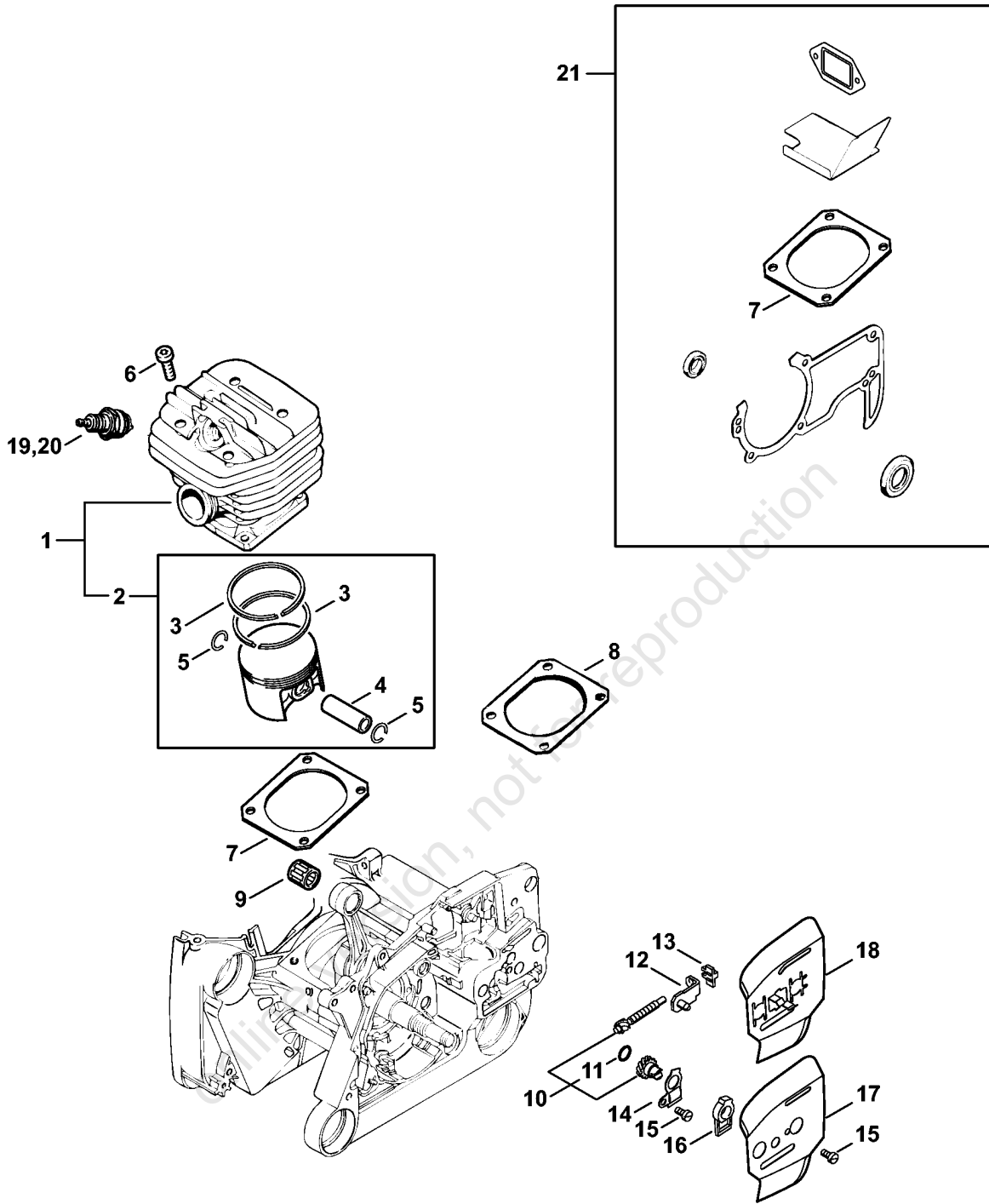
**Crankcase**



1122-GET-0004-A0

## Crankcase

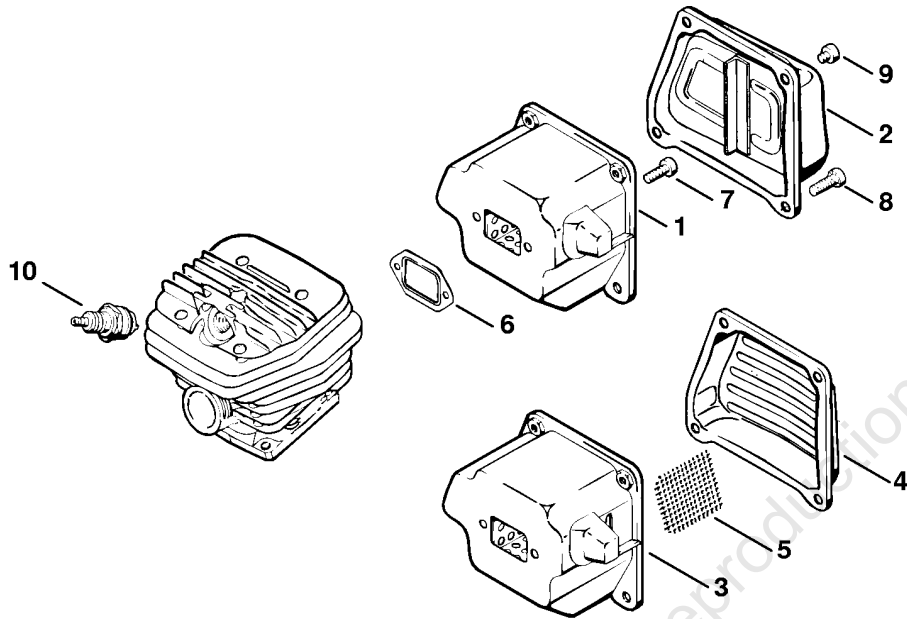
Reference	Item number	Qty	Description	Contains	Technical Information
1	1122 020 2101	1	Crankcase	2 - 18	
2	9022 341 1300	2	Spline screw IS-M6x20		
3	0000 988 5211	1	Connector		
4	9371 470 2610	2	Cylindrical pin 5x18		
5	0000 974 1200	1	Notched pin 2.6x8		
6	1120 162 5200	1	Pin		
7	1121 162 5205	1	Pin		
8	1121 162 5200	2	Pin		
9	1128 640 9100	1	Valve		
10	9503 003 6676	1	Grooved ball bearing 6203		
11	9523 003 4555	1	Grooved ball bearing 17x40x14		
12	0000 953 6605	2	Collar screw M8		
13	9022 371 1020	6	Spline screw IS-M5x20		
14	1128 084 8302	1	Reflector foil		
15	1122 021 1105	1	Cover		
16	9022 313 0660	4	Spline screw IS-M4x12		
17	1122 664 2200	1	Cover plate		
18	1122 664 4500	1	Support		
19	9640 003 1850	1	Oil seal DIN3760-BS17x32,9x3,6		
20	9640 003 1355	1	Oil seal 13.5x20x4		
21	1122 029 0500	1	Gasket		
22	1122 030 0407	1	Crankshaft	23	25.2005
23	1120 036 8500	1	Woodruff key 2x3.7		
24	1122 647 9400	1	Hose		
25	1117 640 3800	1	Pickup body		
26	0000 350 0520	1	Filler cap	27 - 29	
27	0000 359 1220	1	Sealing ring		
28	0000 350 0900	1	Rope		
29	0000 353 0600	1	Hook		
30	1122 021 1900	1	Plug		
31	1125 084 8900	1	Grommet		
32	1122 007 1051	1	Set of gaskets	14, 19 - 21	



1122-GET-0005-A0

## Cylinder

Reference	Item number	Qty	Description	Contains
1	1122 020 1203	1	Cylinder with piston Ø 52 mm	2 - 5
2	1122 030 2001	1	Piston Ø 52 mm	3 - 5
3	1122 034 3000	2	Piston ring Ø 52x1.2 mm	
4	1108 034 1501	1	Piston pin 12x8x33	
5	9463 650 1200	2	Snap ring 12x1	
6	9022 371 1020	4	Spline screw IS-M5x20	
7	1122 029 2300	1	Cylinder gasket 0.5 mm	
8	1122 029 2305	1	Cylinder gasket 1 mm low compression	
9	9512 003 3281	1	Needle cage 12x17x13	
10	1125 007 1021	1	Spur gear / chain adjusting screw kit	11
11	9646 945 0490	1	O-ring 7x1.5	
12	1125 640 1900	1	Tensioner slide	
13	1125 664 1400	1	Thrust pad	
14	1122 664 2200	1	Cover plate	
15	9041 216 0630	2	Pan head screw M4x8	
16	1122 664 4500	1	Support	
17	1128 664 1001	1	Inner side plate 0.9 mm	
18	1128 664 1002	1	Inner side plate (B)	
19	1110 400 7005	1	Spark plug Bosch WSR 6 F	
20	0000 400 7000	1	Spark plug NGK BPMR7A	
21	1122 007 1051	1	Set of gaskets	7



177ET001 SC

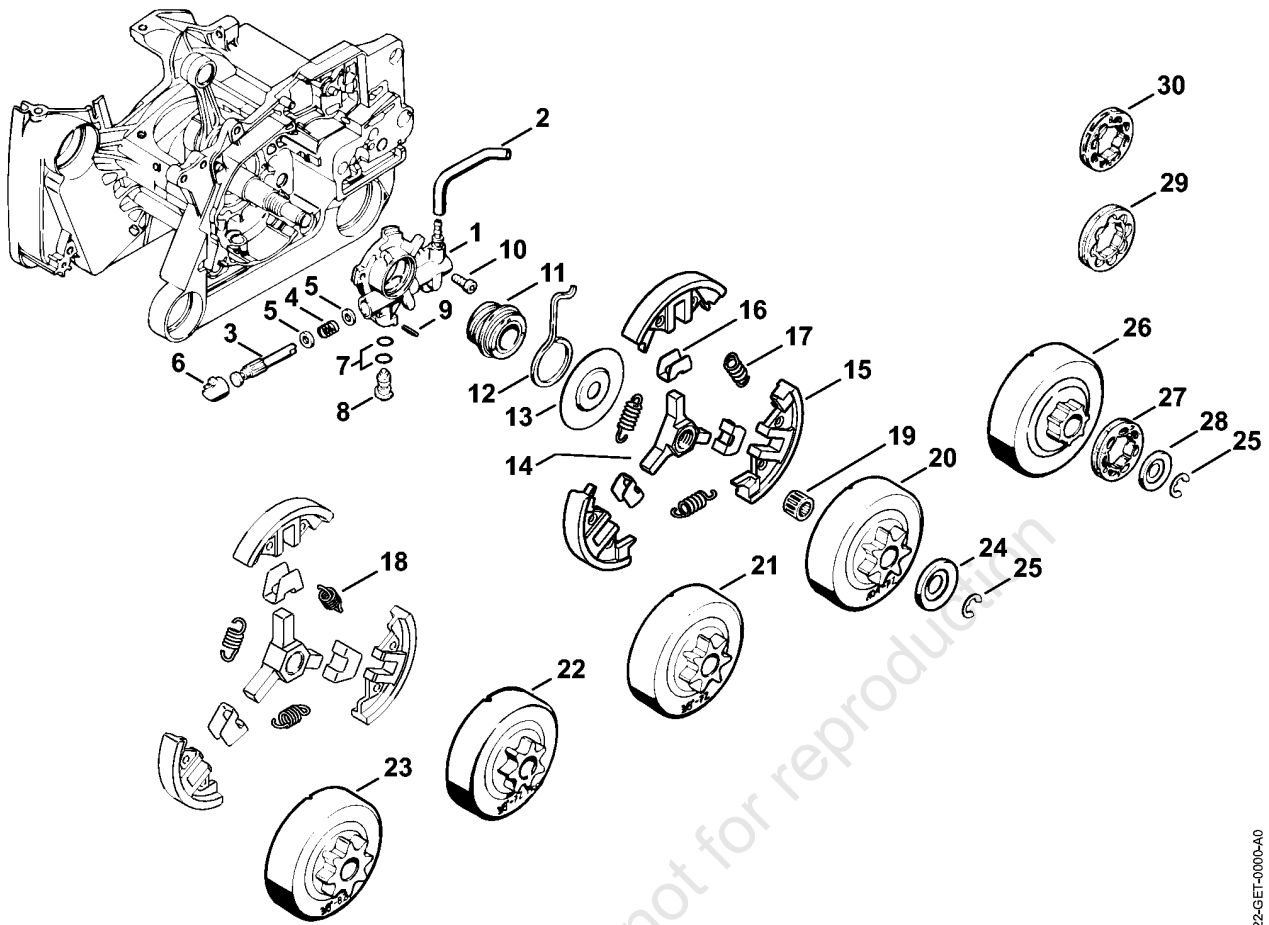
## Muffler

Reference	Item number	Qty	Description	Contains
1	1122 140 0602	1	Muffler Standard	2
2	1122 145 0801	1	Exhaust casing Standard	
3	1122 140 0609	1	Muffler AUS, NZ	4, 5
4	1122 145 0807	1	Exhaust casing AUS, NZ	
5	1122 141 9001	1	Screen AUS, NZ	
6	1125 149 0601	1	Muffler gasket	
7	9022 341 0980	2	Spline screw IS-M5x16	
8	9022 341 1300	2	Spline screw IS-M6x20	
9	9022 341 0910	2	Spline screw IS-M5x6	
10	1110 400 7005	1	Spark plug Bosch WSR 6 F	
10	0000 400 7000	1	Spark plug NGK BPMR7A	
	1122 007 1051	1	Set of gaskets	6

online version, not for reproduction



**Oil pump, Clutch**

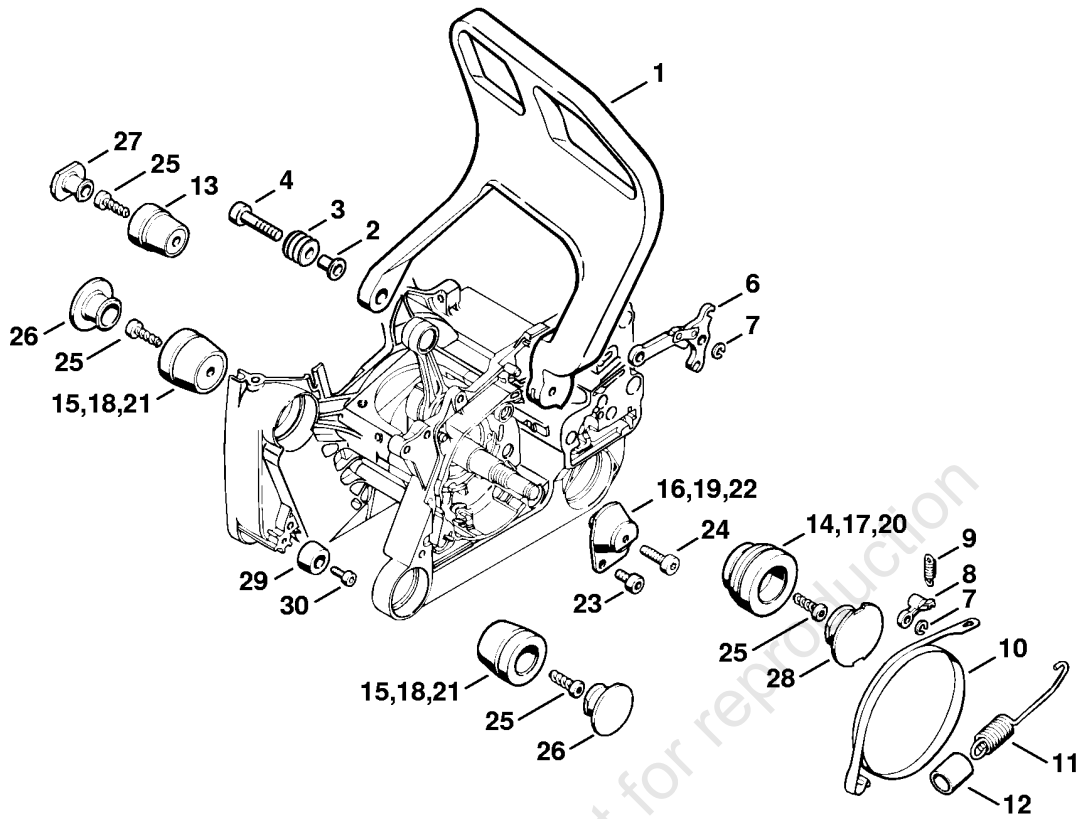


online version, not for reproduction

1122-SET-0000-A0

## Oil pump, Clutch

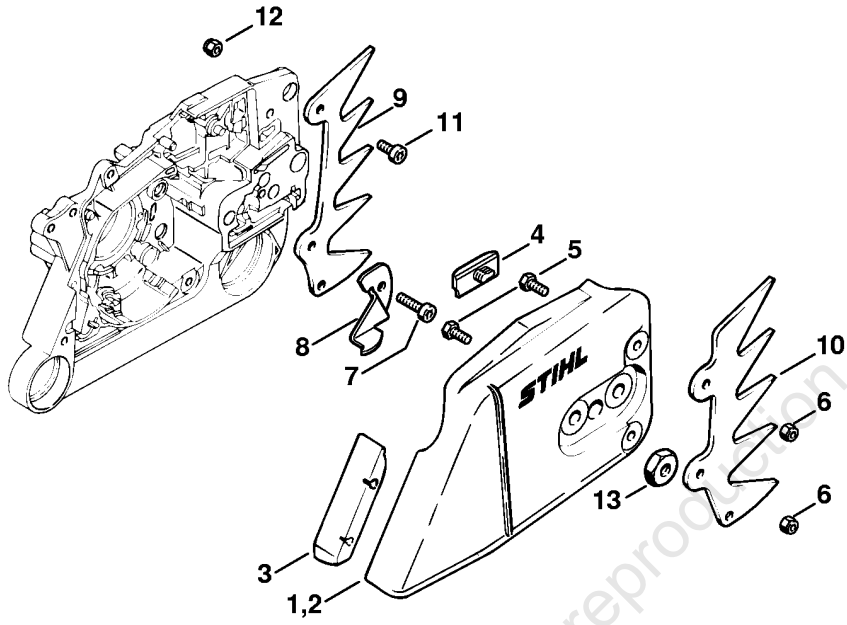
Reference	Item number	Qty	Description	Contains	Technical Information
1	1122 640 3204	1	Oil pump (0.9 mm stroke)	2 - 9	
	1124 007 1010	1	Oil hose kit	2	
2		1	Oil hose 3,1x5,7x300 mm (D)		
3	1122 647 0601	1	Pump piston		
4	0000 997 0629	1	Compression spring		
5	0000 958 0611	2	Washer		
6	1125 647 7002	1	Plug		
7	9646 945 0160	2	O-ring 4x2		
8	1128 647 4806	1	Control bolt		
9	9380 620 1090	1	Roll pin 2x10		
10	9022 313 0660	2	Spline screw IS-M4x12		
11	1122 640 7105	1	Worm	12	
12	1122 647 2401	1	Spring		
13	1122 162 1000	1	Cover washer 52 mm		
	1122 160 2002	1	Clutch	14 - 17	64.2005
14	1122 160 2300	1	Carrier		
15	1144 162 0802	3	Clutch shoe		10.2008 64.2005
16	0000 162 3001	3	Retainer		
17	0000 997 0912	3	Tension spring		
18	* 0000 997 0911	3	Tension spring		10.2008
19	9512 933 2382	1	Needle cage 10x16x13		
20	1122 640 2001	1	Chain sprocket 0.404" 7T		
21	1122 640 2002	1	Chain sprocket 3/8" 7T		
22	1122 640 2006	1	Chain sprocket 3/8" 7T Picco		
23	1122 640 2000	1	Chain sprocket 3/8" 8T (B)		
24	0000 958 1029	1	Washer Ø 33 mm		
25	9460 624 0801	1	E-clip 8x1.3		
	1122 007 1000	1	Rim sprocket kit 3/8" 7T	25 - 28	
26		1	Clutch drum (D)		
27	0000 642 1223	1	Rim sprocket 3/8" 7T		
28	0000 958 1032	1	Washer Ø 27 mm		
	1122 007 1001	1	Rim sprocket kit 3/8" 8T	25, 26, 28, 29	
29	0000 642 1216	1	Rim sprocket 3/8" 8T		
	1122 007 1002	1	Rim sprocket kit 0.404" 7T	25, 26, 28, 30	
30	0000 642 1207	1	Rim sprocket 0.404" 7T		



177ET012 SC

## AV system

Reference	Item number	Qty	Description	Contains
1	1122 790 9103	1	Hand guard	2 - 4
2	1124 792 5500	1	Bushing	
3	1124 792 5505	1	Bushing	
4	9022 341 1090	1	Spline screw IS-M5x40	
6	1128 160 5000	1	Lever	
7	9460 624 0400	2	E-clip 4	
8	1121 162 5010	1	Lever	
9	0000 997 0628	1	Spring	
10	1122 160 5400	1	Brake band	
11	1122 160 5500	1	Tension spring	12
12	1125 162 8002	1	Hose 20 mm / 13/16"	
		1	AV system soft:	
13	1122 790 9905	1	Annular buffer 1122/05	
14	1122 790 9901	1	Annular buffer 1122/01	
15	1125 790 9906	2	Annular buffer 1125/06	
16	1122 790 9921	1	Annular buffer 1122/21	
		1	AV system normal:	
13	1122 790 9905	1	Annular buffer 1122/05	
17	1122 790 9900	1	Annular buffer 1122/00	
18	1125 790 9904	2	Annular buffer 1125/04	
19	1122 790 9920	1	Annular buffer 1122/20	
		1	AV system hard:	
13	1122 790 9905	1	Annular buffer 1122/05	
20	1122 790 9902	1	Annular buffer 1122/02	
21	1125 790 9910	2	Annular buffer 1125/10	
22	1122 790 9922	1	Annular buffer 1122/22	
23	9022 341 0960	2	Spline screw IS-M5x12	
24	9022 341 0980	1	Spline screw IS-M5x16	
25	9074 478 4435	4	Pan head self-tapping screw IS-P6x19	
26	1125 791 7306	2	Plug	
27	1122 791 7301	1	Plug	
28	1122 791 7300	1	Plug	
29	1122 790 9300	1	Rubber buffer	
30	9022 313 0660	1	Spline screw IS-M4x12	



online version, not for reproduction

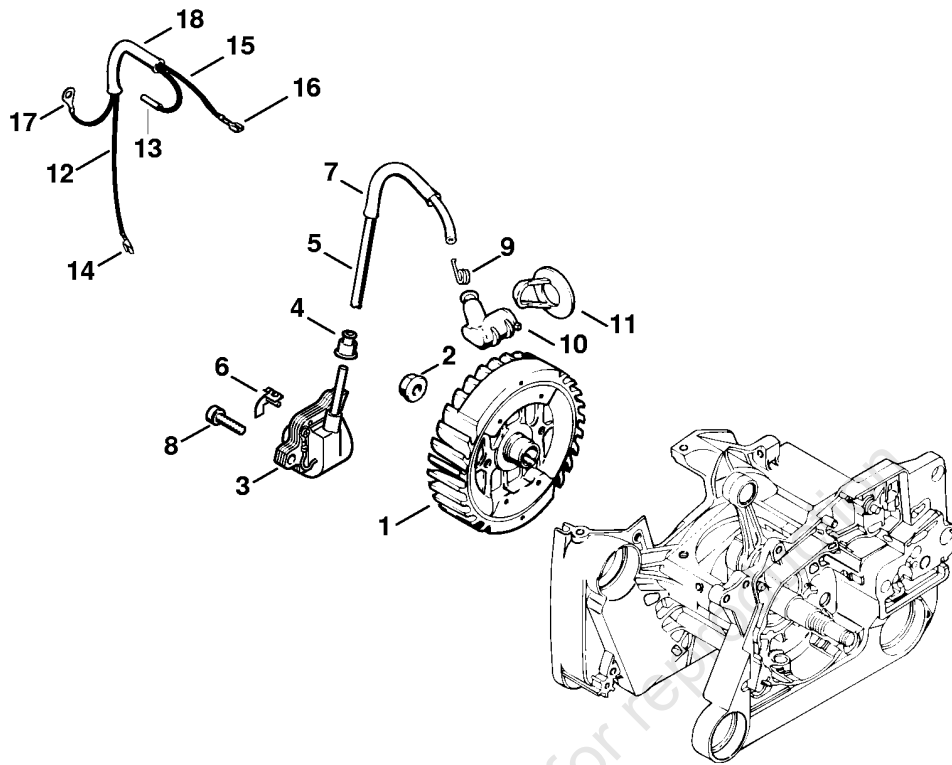
177ET021 SC

## Chain sprocket cover

Reference	Item number	Qty	Description	Contains	Technical Information
1	1122 640 1707	1	Chain sprocket cover	3, 4	
2	* 1125 640 1701	1	Chain sprocket cover (B)	3, 4	10.2007
3	1125 656 1501	1	Guard		
4	1121 648 6610	2	Bumper strip		
5	9008 345 0960	2	Hexagon head screw M5x12		
6	9214 320 0700	2	Lock nut M5		
7	9022 371 1020	1	Spline screw IS-M5x20		
8	1122 656 7700	1	Chain catcher		
9	1122 664 0505	1	Bumper spike		
10	1122 664 0500	1	Bumper spike		
11	9022 341 0960	1	Spline screw IS-M5x12		
12	9214 320 0700	1	Lock nut M5		
13	0000 955 0801	2	Hexagon nut M8		

online version, not for reproduction

**Ignition system**



online version, not for repair

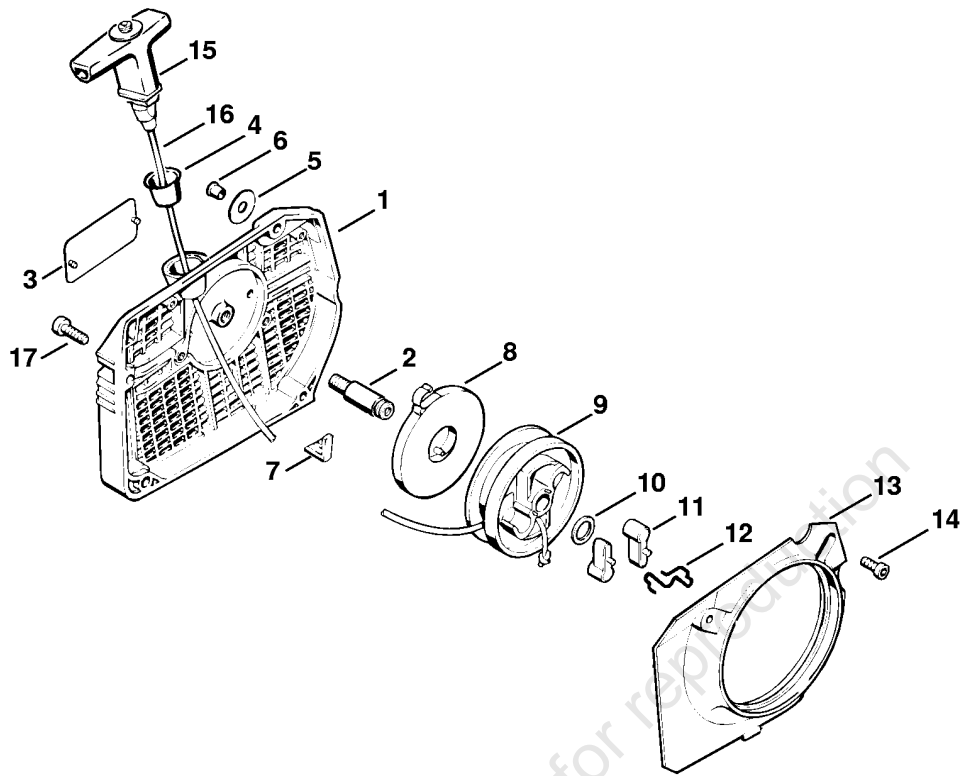
177ET014 SC

## Ignition system

Reference	Item number	Qty	Description	Contains	Technical Information
1	1122 400 1203	1	Flywheel		25.2005
2	0000 955 0802	1	Collar nut M8x1		
3	0000 400 1300	1	Ignition module	4 - 6	
4	0000 989 1010	1	Grommet		
5		1	Ignition lead 185 mm (D)		
	0000 405 0600	1	Ignition lead 1 m (B)		
	0000 930 2251	1	Ignition lead 10 m (B)		
6	0000 448 1250	1	Lead retainer		
7	1117 442 0905	1	Insulating hose 110 mm / 4.3"		
8	9022 341 1019	3	Spline screw IS-M5x20		
9	0000 998 0604	1	Spark plug contact spring		
10	1128 405 1000	1	Spark plug boot		
11	1128 084 1400	1	Spark plug boot cover		
12	1121 440 1103	1	Short circuit wire 305 mm / 12.1"	13, 14	
13	1119 442 7000	1	Contact sleeve (C)		
14	0751 030 8957	1	Terminal socket 4.8-1/0.8 (C)		
15	1122 440 2201	1	Ground wire 270 mm / 10 5/8"	16, 17	
16	0751 030 8955	1	Terminal socket 4.8-1/0.4 (C)		
17	0751 030 8969	1	Terminal socket A5-1.5 (C)		
18	1122 442 0400	1	Insulating hose 100 mm / 4"		
	0751 010 1110	1	Cable 10 m (A,B)		



**Rewind starter**

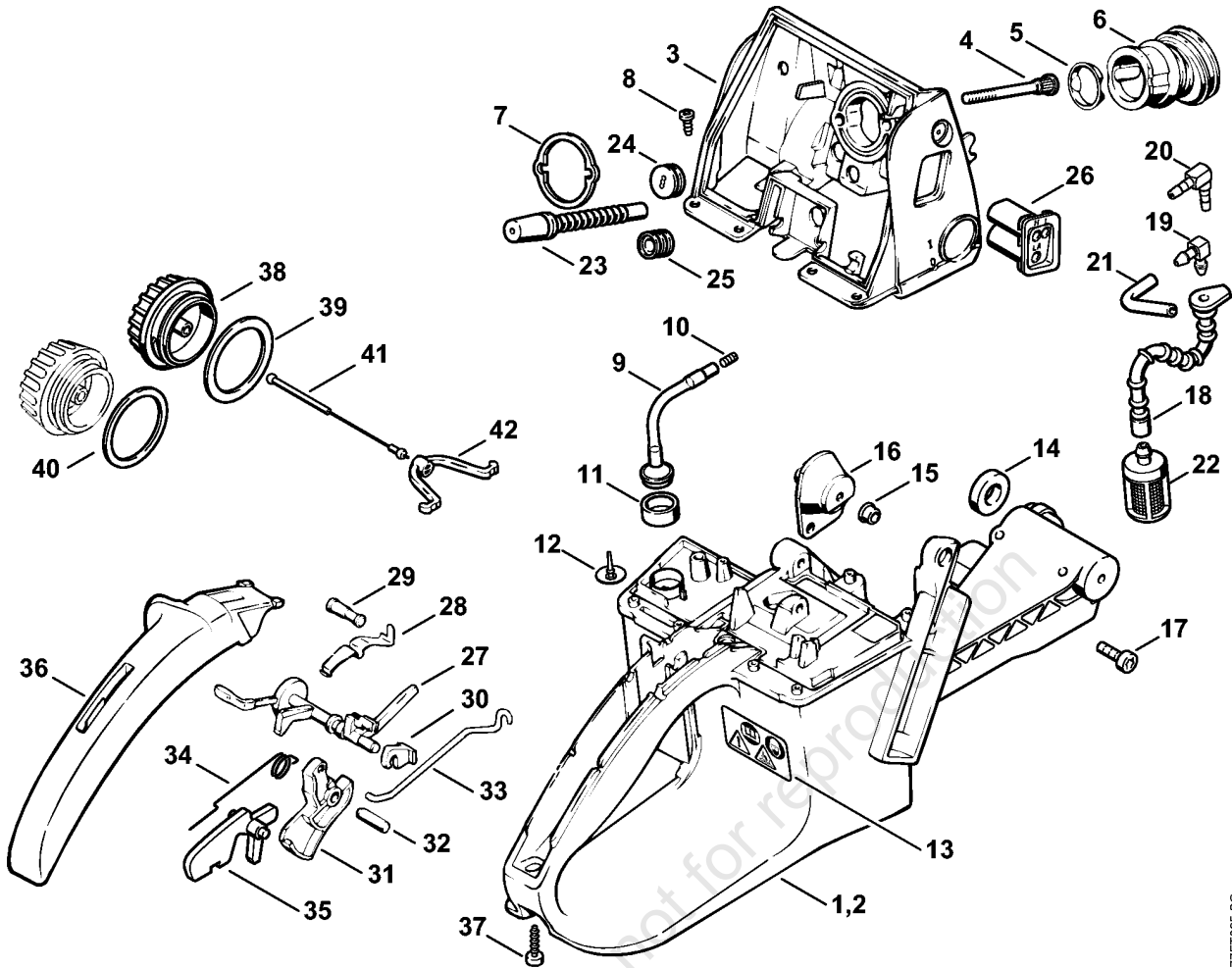


177ET006 SC

## Rewind starter

Reference	Item number	Qty	Description	Contains
	1122 080 2105	1	Fan housing with rewind starter (C)	1 - 16
1	1122 080 1805	1	Fan housing (C)	2 - 6
2	1122 080 6500	1	Axle	
3	0000 967 2035	1	Nameplate STIHL	
4	1110 084 9102	1	Bushing	
5	0000 958 0607	1	Washer	
6	9416 868 6530	1	Hollow rivet 6.5x0.5x6.8	
7	1122 084 9600	1	Thrust pad (C)	
8	1122 190 0600	1	Rewind spring	
9	1122 195 0400	1	Rope rotor	
10	1119 162 8925	1	Washer Ø 12 mm	
11	1124 195 7200	2	Pawl	
12	1124 195 3500	1	Spring	
13	1122 084 7805	1	Segment	
14	9022 313 0660	2	Spline screw IS-M4x12	
15	1122 190 3400	1	Starter grip ElastoStart Ø 4,5 mm	16
16	1122 190 2900	1	Starter rope Ø 4.5 mm	
	0000 930 2268	1	Starter rope Ø 4.5mm / 28 pieces	
17	9022 371 1020	3	Spline screw IS-M5x20	

**Tank housing**



177E025 SC

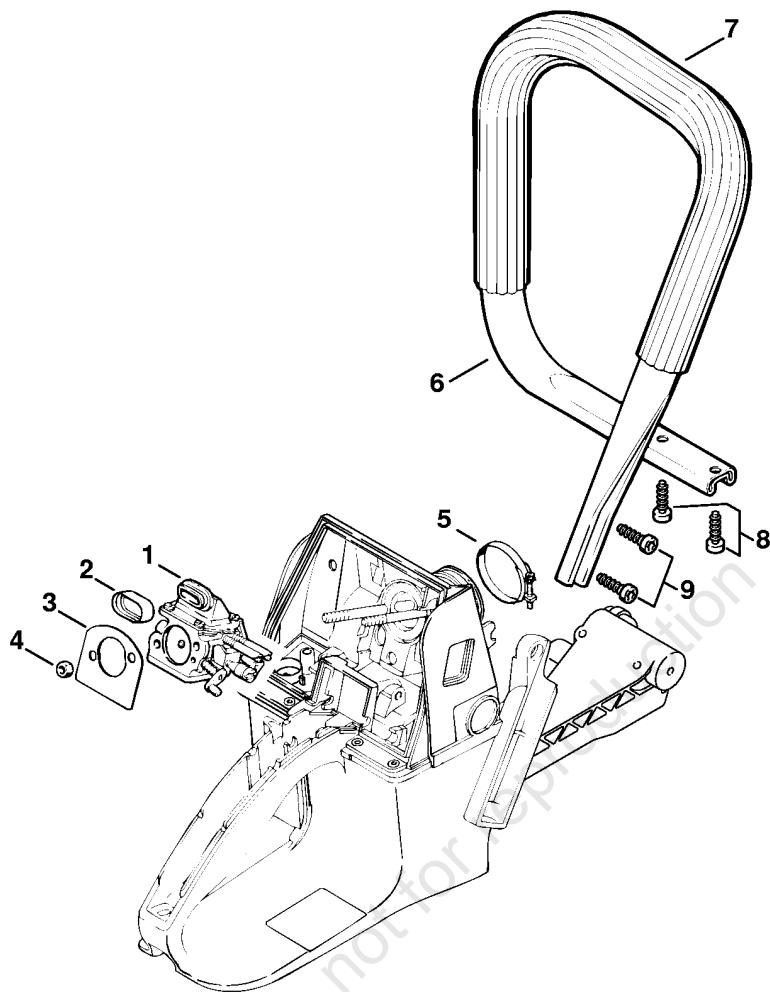
## Tank housing

Reference	Item number	Qty	Description	Contains	Technical Information
1	1122 350 0828	1	Tank housing	2 - 19, 21 - 39, 41, 42	
2	1122 350 0827	1	Tank housing	3 - 19	
3	1122 120 0102	1	Carburetor housing	4 - 7	
4	1122 122 6602	2	Collar screw		
5	1122 141 1805	1	Sleeve		
6	1122 141 2201	1	Manifold		
7	1128 121 8600	1	Washer		
8	9104 003 0650	7	Self-tapping screw P4x10		
9	1122 350 5851	1	Tank vent	10, 11	
10	1120 358 8105	1	Vent insert		
11	1122 353 0200	1	Clamp		
12	1110 353 1600	1	Valve		
13	0000 967 7247	1	Warning pictogram MS		
14	1128 791 8400	1	Ring		
15	0000 963 0808	1	Bushing		
16	1122 790 9920	1	Annular buffer 1122/20		
17	9022 341 0980	1	Spline screw IS-M5x16		
18	1124 358 7700	1	Hose		
19	4224 122 3900	1	Elbow connector		
20	* 1122 353 2600	1	Elbow connector		
21		1	Hose 3.1x5.7x52 mm, R5 (D)		
	0000 937 5004	1	Hose 3.1x5.7 mm x 1 m R5 (A,B)		
22	0000 350 3518	1	Pickup body		
23	1127 141 8600	1	Impulse hose		
24	0000 989 0812	1	Grommet		
25	1122 182 0700	1	Grommet		
26	1122 123 7503	1	Grommet		
27	1122 180 0905	1	Switch shaft		
28	1130 442 1602	1	Contact spring		
29	1122 442 2500	1	Axle		
30	1122 182 2100	1	Support		
31	1122 180 1500	1	Throttle trigger	32	
32	9371 470 2600	1	Cylindrical pin 5x16		
33	1122 182 1502	1	Throttle rod		
34	1117 182 4500	1	Torsion spring		
35	1117 182 0805	1	Lockout lever		

**Tank housing**

Reference	Item number	Qty	Description	Contains	Technical Information
36	1122 791 0600	1	Handle molding		
37	9074 478 3076	1	Pan head self-tapping screw IS-P4x19		
38	0000 350 0508	1	Filler cap	39, 41, 42	
39	0000 359 1203	1	Sealing ring		
40	* 0000 359 1230	1	Sealing ring		44.2007
41	0000 350 0900	1	Rope		
42	0000 353 0600	1	Hook		

online version, not for reproduction

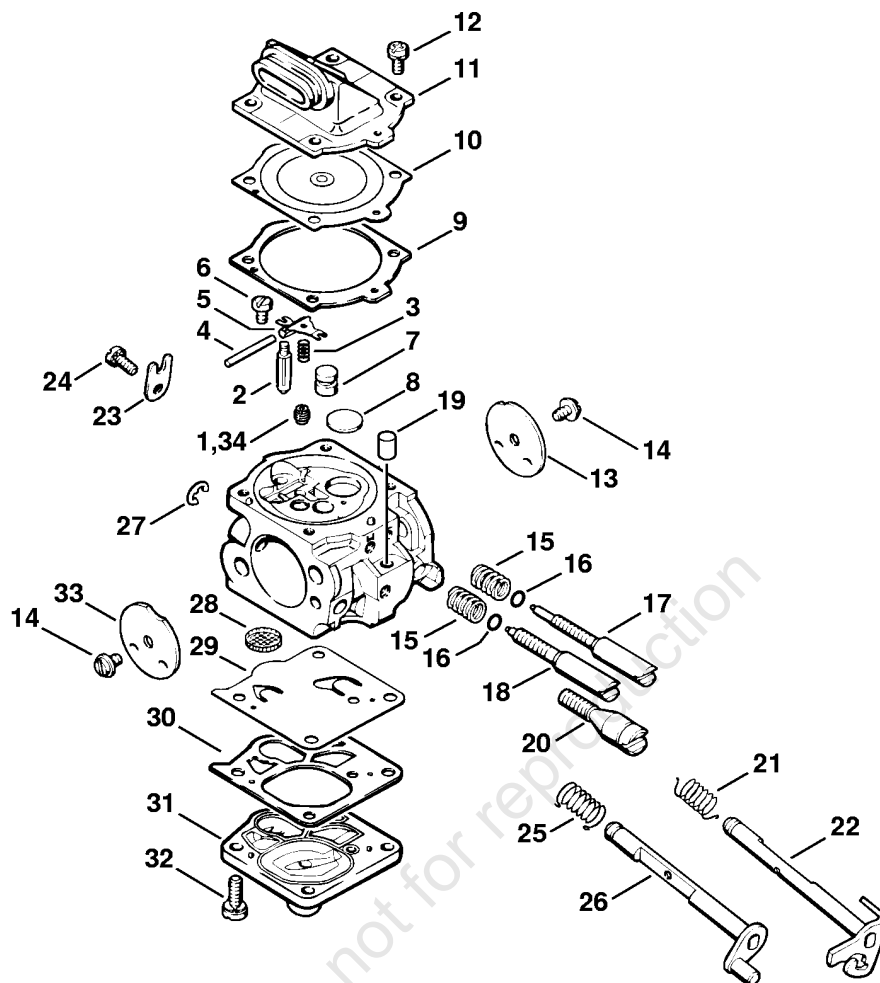


177ET015 SC

## Handlebar

Reference	Item number	Qty	Description	Contains
1	1122 120 0616	1	Carburetor WJ-65B	
2	1124 121 9100	1	Bushing	
3	1122 121 7000	1	Baffle	
4	9210 260 0700	1	Hexagon nut M5	
5	9771 021 2620	1	Hose clip Ø 36x5	
6	1122 790 1750	1	Handlebar	7
7		1	Hose 460 mm / 18 1/8"	
	0000 791 2009	1	Handle hose Ø 19 mm x 5 m / 3/4x197" (B)	
8	9074 478 4435	2	Pan head self-tapping screw IS-P6x19	
9	9074 478 4475	2	Pan head self-tapping screw IS-P6x21.5	

online version, not for reproduction



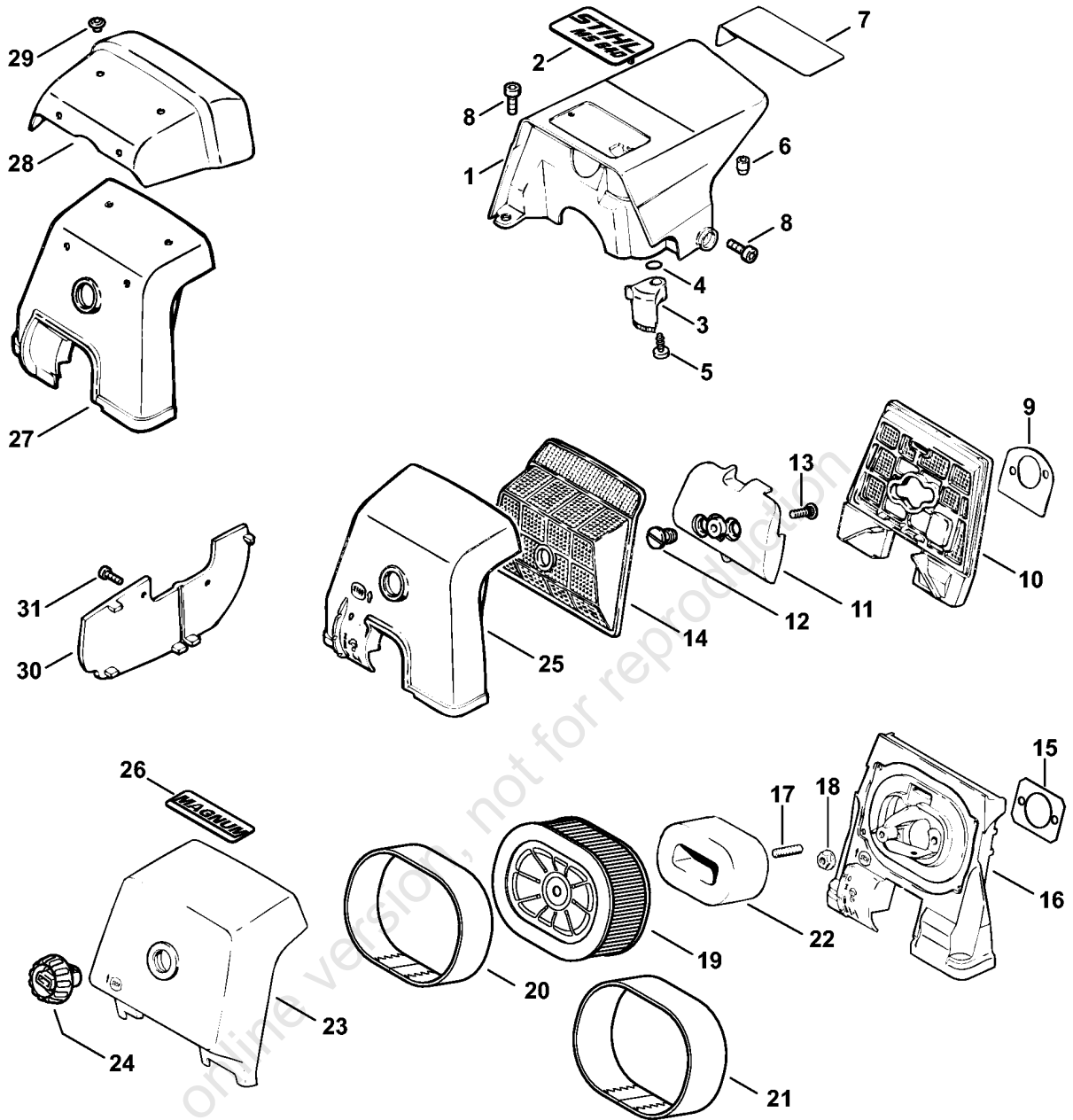
177ET017 GM



## Carburetor WJ-65

Reference	Item number	Qty	Description	Contains
	1122 120 0616	1	Carburetor WJ-65B	1 - 33
1	1122 121 5603	1	Fixed jet 0.62	
2	1110 121 5100	1	Inlet needle	
3	1117 122 3005	1	Spring	
4	1117 121 9200	1	Spindle	
5	1117 121 5000	1	Inlet control lever	
6	1114 122 7400	1	Round head screw	
7	1115 121 5401	1	Valve jet	
8	1122 121 0700	1	Cup plug	
9	1116 129 0900	1	Gasket	
10	1117 121 4700	1	Metering diaphragm	
11	1122 121 0805	1	End cover	
12	1121 122 7101	4	Screw	
13	1115 121 3301	1	Throttle shutter	
14	1115 122 7400	2	Round head screw	
15	1128 122 3003	2	Spring	
16		1	Sealing ring (D)	
17	1122 122 6802	1	Low speed screw	16
18	1122 122 6706	1	High speed screw	16
19	1122 121 7700	1	Clamp	
20	1122 122 6200	1	Idle speed screw	
21	1122 122 3200	1	Torsion spring	
22	1122 120 7101	1	Throttle shaft with lever	
23	1110 122 9300	1	Clip	
24	1106 122 7400	1	Round head screw	
25	1122 122 3205	1	Torsion spring	
26	1122 120 7200	1	Choke shaft with lever	
27	1117 122 9000	1	E-clip	
28	1114 121 7800	1	Strainer	
29	1115 121 4800	1	Pump diaphragm	
30	1115 129 1100	1	Gasket	
31	1115 120 0800	1	End cover	
32	1121 122 7101	4	Screw	
33	1122 121 2900	1	Choke shutter	
34	1122 121 5608	1	Fixed jet 0.60 (B) High altitude	
	1122 007 1060	1	Set of carburetor parts	9, 10, 29, 30

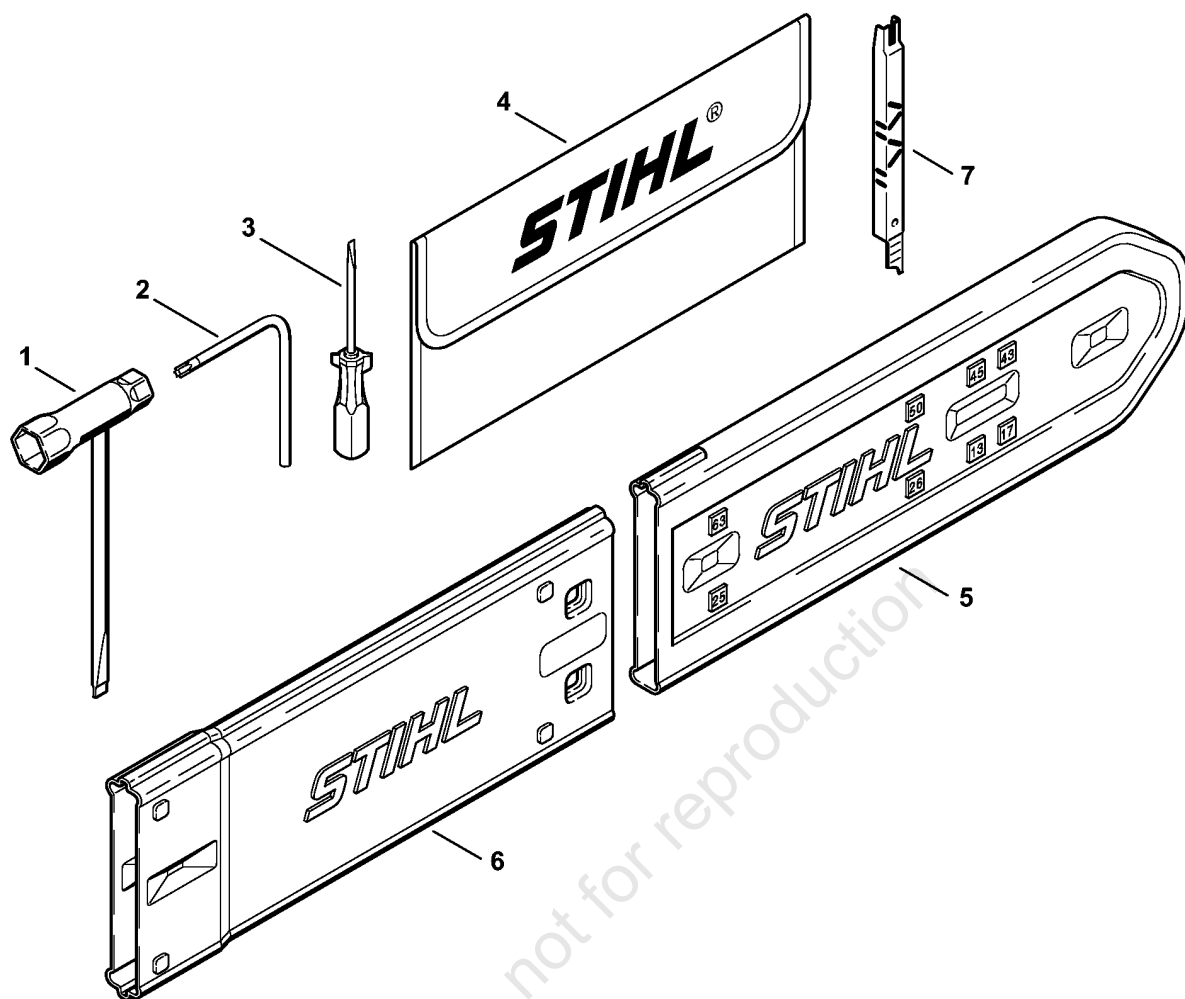
**Shroud, Air filter**



177ET024 SC

## Shroud, Air filter

Reference	Item number	Qty	Description	Contains	Technical Information
1	1122 080 1608	1	Shroud	2 - 7	
2	1122 967 1507	1	Model plate MS 640		
3	1125 080 8000	1	Shutter	4, 5	
4	9646 945 0590	1	O-ring 8x2		
5	9099 021 3760	1	Self-tapping screw 4.8x13		
6	1121 084 7100	1	Cap		
7	1124 084 8300	1	Reflector foil		
8	9022 341 0980	3	Spline screw IS-M5x16		
9	1122 121 7000	1	Baffle		
10	1122 120 1621	1	Air filter		
11	1122 120 4101	1	Baffle	12, 13	
12	1124 141 8300	2	Slotted nut		
13	1122 122 6605	1	Collar screw		
14	1122 120 1615	1	Air filter		
	1122 007 1031	1	Air filter kit HD (B)	15 - 19, 23, 24	
15	1128 129 1100	1	Gasket (B)		
16	1122 120 3411	1	Filter base (B)	17	
17	9121 319 0960	1	Stud M5x12x9 (B)		
18	9216 261 0700	2	Hexagon nut M5 (B)		
19	0000 140 4402	1	Air filter HD2 (B)		
20	0000 141 0601	1	Prefilter (B)		
21	* 0000 141 0300	1	Prefilter (B)		47.2010
22	* 0000 124 0800	1	Filter insert (B)		
23	1122 140 1001	1	Filter cover (B)	24	
24	1124 140 9500	1	Twist lock		
25	1122 140 1900	1	Carburetor box cover	24	
26	0000 967 1593	1	Model plate Magnum		
	1122 007 1027	1	Intake air preheating kit (B)	24, 27 - 31	
27	1122 140 1901	1	Carburetor box cover (B)	24, 28, 29	
28	1122 141 2500	1	Cover (B)		
29	9438 929 4040	4	Blind rivet 5x8 (B)		
30	1122 084 8206	1	Cover plate (B)		
31	9022 313 0660	3	Spline screw IS-M4x12 (B)		



online version, not for reproduction

1121-GET-0002-A0

**Tools, Extras**

Reference	Item number	Qty	Description	Contains
	1121 890 1400	1	Tool kit	1 - 4
1	1129 890 3401	1	Combination wrench	
2	0812 370 1000	1	Screwdriver T27x120x70	
3	0000 890 2300	1	Screwdriver	
4	0000 891 0810	1	Tool roll	
5	0000 792 9129	1	Chain scabbard	
6	0000 792 9132	1	Chain scabbard extension up to 63 cm (C)	
7	1110 893 4000	1	Filing gauge (B)	

online version, not for reproduction