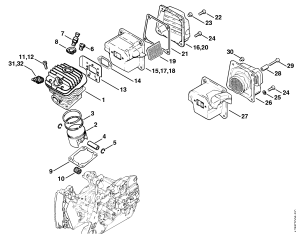
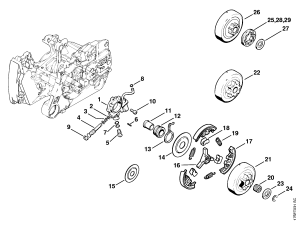


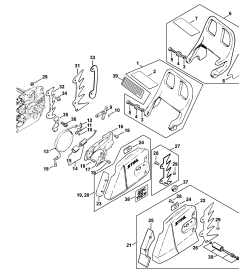
Crankcase, Crankshaft



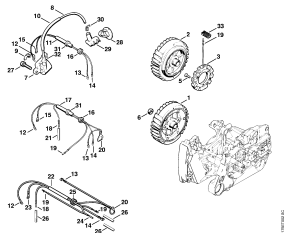
Cylinder



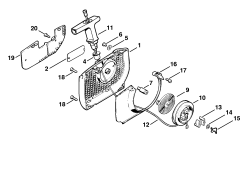
Oil pump, Clutch



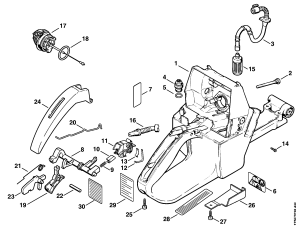
Chain brake, Chain sprocket cover



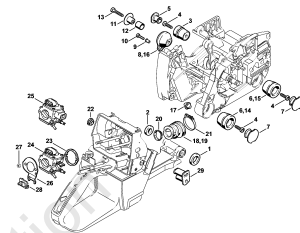
Ignition system



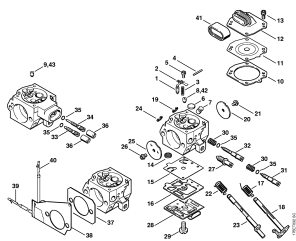
Rewind starter



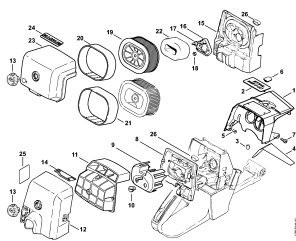
Tank housing



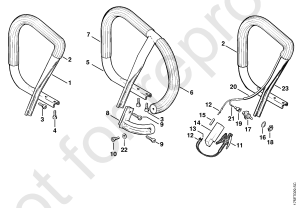
AV system



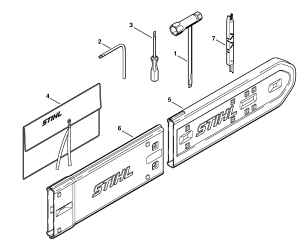
Carburetor HD-15, HD-17



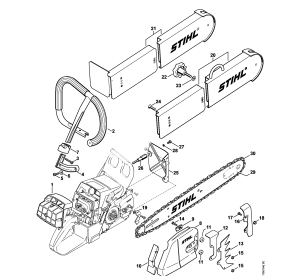
Shroud, Air filter



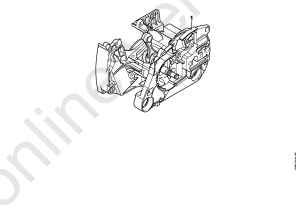
Handlebar, Heating element



Tools, Extras



Conversion kit rescue saw
(27.2000), (31.2005),
(15.2007)

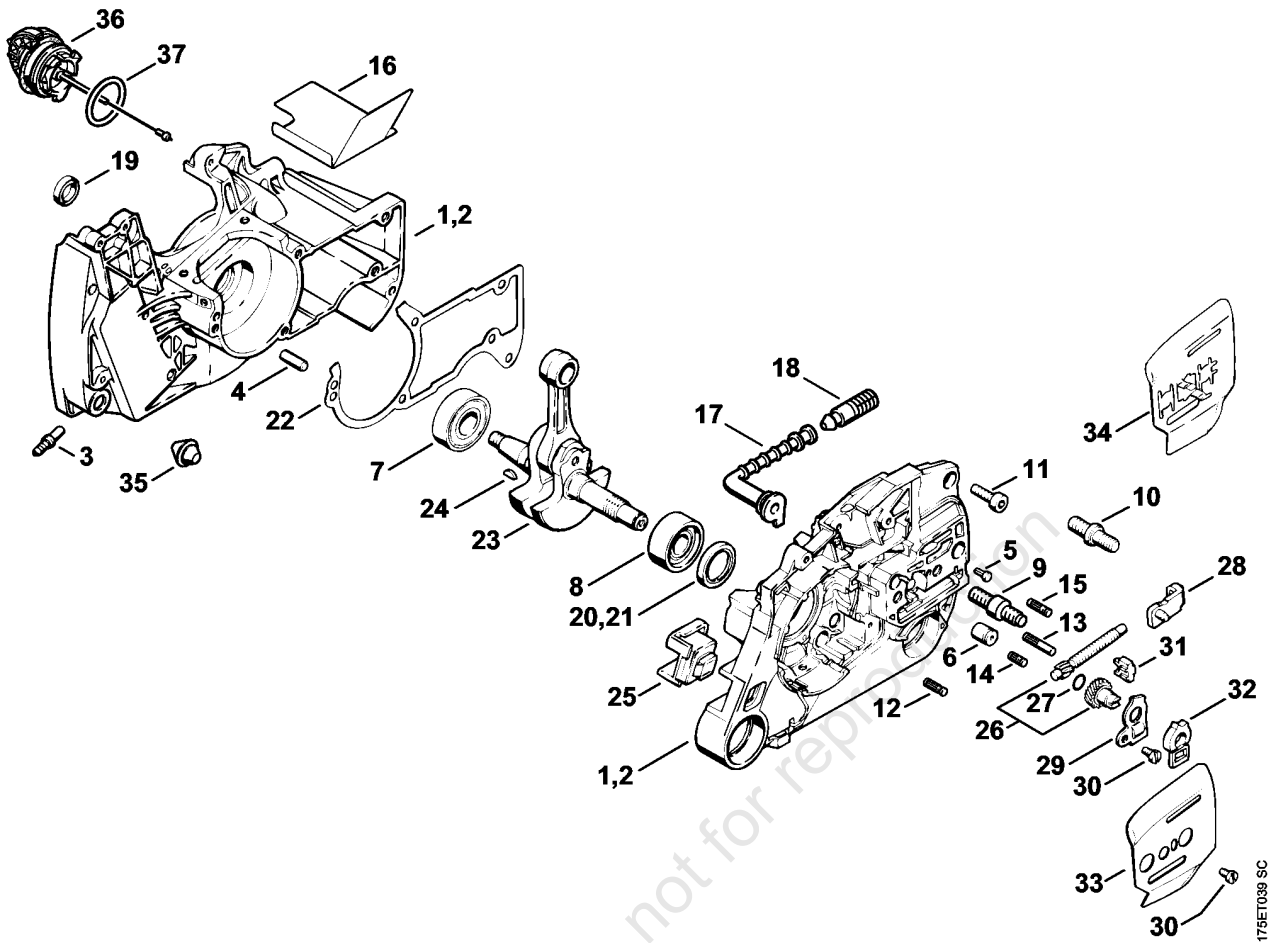


Serial number

Description	Technical Information
Crankcase, Crankshaft	
Cylinder	
Oil pump, Clutch	
Chain brake, Chain sprocket cover	
Ignition system	
Rewind starter	
Tank housing	
AV system	
Carburetor HD-15, HD-17	
Shroud, Air filter	
Handlebar, Heating element	
Tools, Extras	
Conversion kit rescue saw (27.2000), (31.2005), (15.2007)	
Serial number	

online version, not for reproduction

Crankcase, Crankshaft



(1) 11280123006, (2) MS 440-D, (3) MS 440-N, (4) MS 440-RZ Magnum, (5) MS 440-VWZ Magnum Arctic, (6) MS 440-W, (7) MS 440-Z, (8) MS 440-Z Magnum

Crankcase, Crankshaft

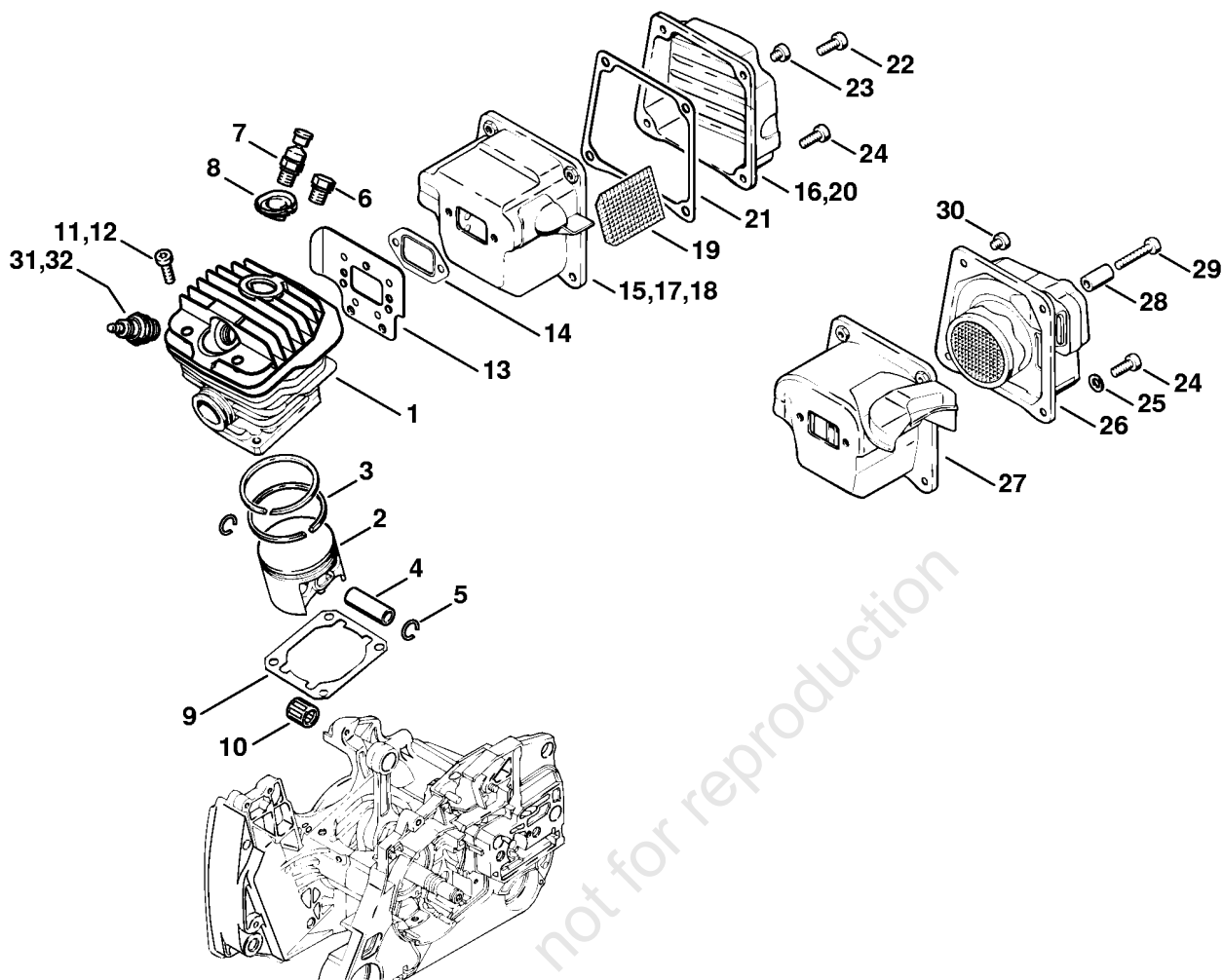
Reference	Item number	Qty	Description	Contains	Technical Information
1	1128 020 2139	1	Crankcase	3 - 9, 11 - 16, 35 - 37	8.2012
2	* 1128 020 2138	1	Crankcase	3 - 8, 10 - 16, 35 - 37	8.2012 15.2007
3	0000 988 5211	1	Connector		
4	9371 470 2610	2	Cylindrical pin 5x18		
5	0000 974 1200	1	Notched pin 2.6x8		
6	1128 640 9100	1	Valve		
7	9503 003 0346	1	Grooved ball bearing 6202		
8	9523 003 4275	1	Grooved ball bearing 15x35x13		
9	1138 664 2400	2	Collar screw		
10	* 0000 953 6605	2	Collar screw M8		15.2007
11	9022 371 1020	5	Spline screw IS-M5x20		
12	1120 162 5200	1	Pin		
13	1121 162 5205	1	Pin		
14	1128 162 5200	1	Pin		
15	1121 162 5200	1	Pin		
16	1128 084 8302	1	Reflector foil		
17	1122 647 9400	1	Hose		
18	1117 640 3800	1	Pickup body		
19	9640 003 1320	1	Oil seal 13x19x4		
20	9640 003 1972	1	Oil seal 18x29.6x5/3 (1,3,4,5,6,7,8)		
21	9640 951 1972	1	Oil seal 18x29.6x5/3 Cat. (2)		
22	1128 029 0500	1	Gasket		
23	1128 030 0406	1	Crankshaft	24	25.2005
24	1120 036 8500	1	Woodruff key 2x3.7		
25	1124 791 2800	1	Stop buffer		
26	1125 007 1021	1	Spur gear / chain adjusting screw kit	27	
27	9646 945 0490	1	O-ring 7x1.5		
28	1125 640 1900	1	Tensioner slide		
29	1122 664 2200	1	Cover plate		
30	9041 216 0630	2	Pan head screw M4x8		
31	1125 664 1400	1	Thrust pad		
32	1122 664 4500	1	Support		
33	1128 664 1001	1	Inner side plate 0.9 mm		
34	1128 664 1002	1	Inner side plate (B)		15.2007

(1) 11280123006, (2) MS 440-D, (3) MS 440-N, (4) MS 440-RZ Magnum, (5) MS 440-VWZ Magnum Arctic, (6) MS 440-W, (7) MS 440-Z, (8) MS 440-Z Magnum

Crankcase, Crankshaft

Reference	Item number	Qty	Description	Contains	Technical Information
35	1133 791 5900	1	Stop buffer		
36	0000 350 0533	1	Filler cap	37	8.2012
37	9645 948 7734	1	O-ring 25x3.5		8.2012
	1128 007 1050	1	Set of gaskets (B)	16, 19, 21, 22	

online version, not for reproduction



175ET028 SC

(1) 11280123006, (2) MS 440-D, (3) MS 440-N, (4) MS 440-RZ Magnum, (5) MS 440-VWZ Magnum Arctic, (6) MS 440-W, (7) MS 440-Z, (8) MS 440-Z Magnum

Cylinder

Reference	Item number	Qty	Description	Contains	Up to	Technical Information
1	1128 020 1227	1	Cylinder with piston Ø 50 mm	2 - 6		
2	1128 030 2015	1	Piston Ø 50 mm	3 - 5		
3	1128 034 3000	2	Piston ring Ø 50x1.2 mm			
4	1128 034 1501	1	Piston pin 12x8x35			
5	9463 650 1200	2	Snap ring 12x1			
6	1122 025 2200	1	Plug			
7	1128 020 9400	1	Decompression valve			
8	1122 084 1405	1	Cover			
9	1128 029 2301	1	Cylinder gasket 0.5 mm (1,2,4,5,6,7,8)			
9	1128 029 2302	1	Cylinder gasket 1 mm low compression (3)			
10	9512 003 3061	1	Needle cage 12x15x15			
11	9022 371 1050	4	Spline screw IS-M5x25			
12	* 9022 371 1020	4	Spline screw IS-M5x20		162936785	30.2004
13	1128 141 3201	1	Cooling plate			
14	1125 149 0601	1	Muffler gasket			
15	1128 140 0600	1	Muffler (1,3,6)	16		
16	1128 145 0803	1	Exhaust casing (1,3,6)			
17	1128 140 0607	1	Muffler AUS, NZ (7)	19, 20		
18	1128 140 0604	1	Muffler USA, CDN (4,5,8)	19, 20		
19	1118 141 9006	1	Screen USA, CDN, AUS, NZ (4,5,7,8)			
20	1128 145 0804	1	Exhaust casing USA, CDN, AUS, NZ (4,5,7,8)			
21	1128 149 0500	1	Gasket (1,3,4,5,6,7,8)			
22	9022 341 0980	2	Spline screw IS-M5x16			
23	9022 341 0910	2	Spline screw IS-M5x6 (1,3,4,5,6,7,8)			
24	9022 341 1300	2	Spline screw IS-M6x20			

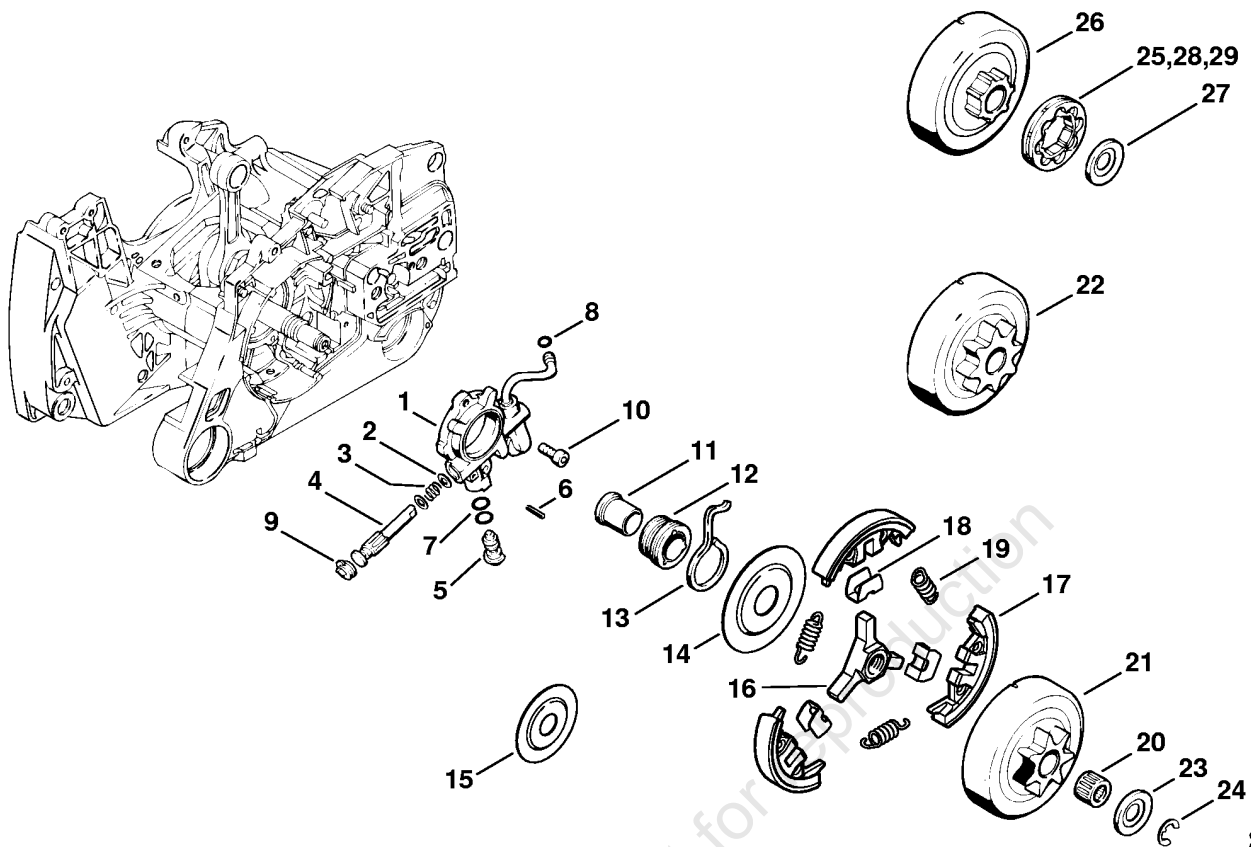
(1) 11280123006, (2) MS 440-D, (3) MS 440-N, (4) MS 440-RZ Magnum, (5) MS 440-VWZ Magnum Arctic, (6) MS 440-W, (7) MS 440-Z, (8) MS 440-Z Magnum

Cylinder

Reference	Item number	Qty	Description	Contains	Up to	Technical Information
25	0000 148 6000	2	Washer (Tensioning gear) (2)			
26	1128 140 0610	1	Muffler Cat. (2)	27, 28		
27	1128 145 0710	1	Inlet casing (2)			
28	1128 145 8000	1	Sleeve (2)			
29	9022 341 1070	1	Spline screw IS- M5x30 (2)			
30	9022 341 0910	1	Spline screw IS- M5x6 (2)			
31	1110 400 7005	1	Spark plug Bosch WSR 6 F			
32	0000 400 7000	1	Spark plug NGK BPMR7A			
	1128 007 1050	1	Set of gaskets (B)	9, 14		

online version, not for reproduction

Oil pump, Clutch



175ET031 SC

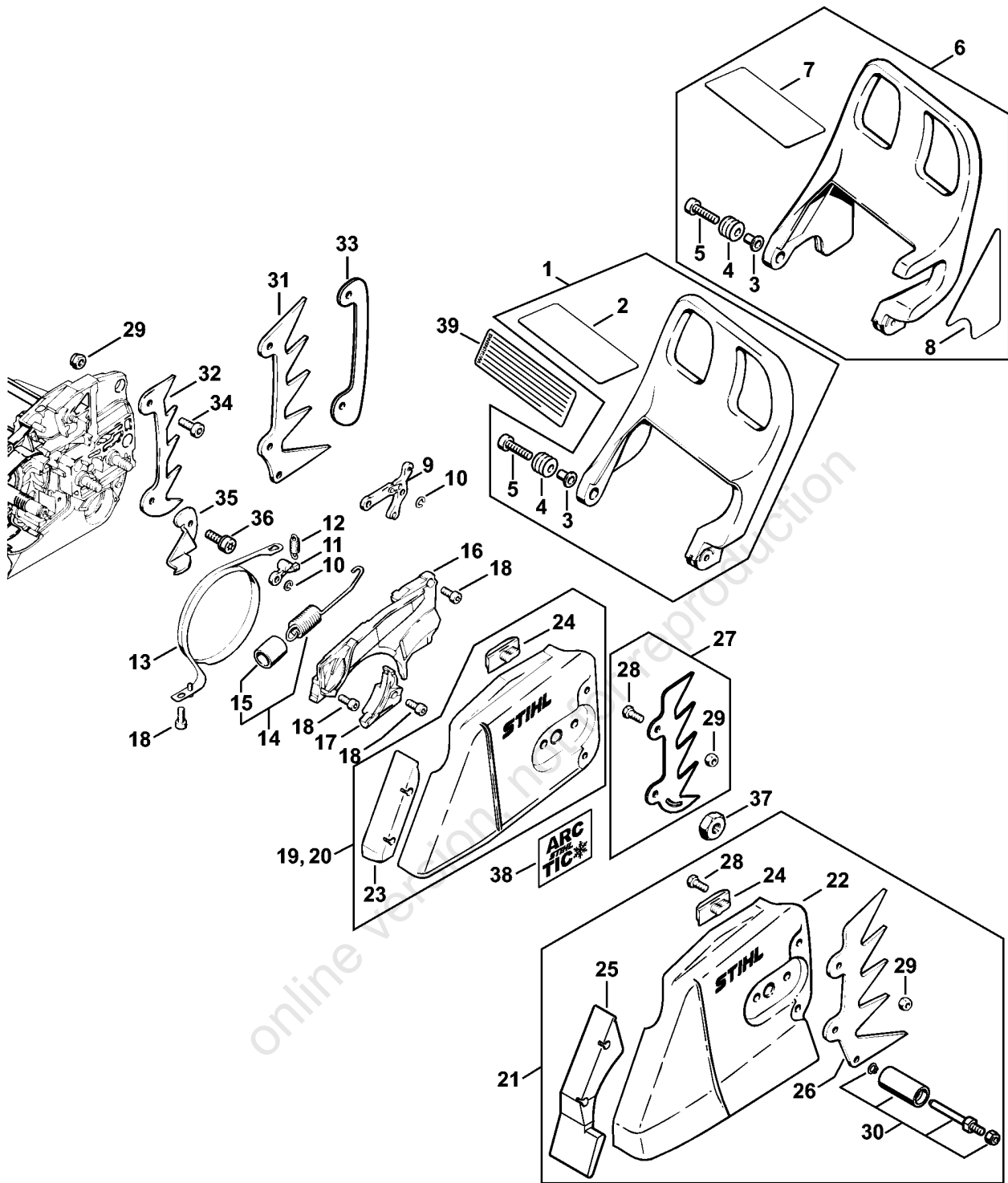
(1) 11280123006, (2) MS 440-D, (3) MS 440-N, (4) MS 440-RZ Magnum, (5) MS 440-VWZ Magnum Arctic, (6) MS 440-W, (7) MS 440-Z, (8) MS 440-Z Magnum

Oil pump, Clutch

Reference	Item number	Qty	Description	Contains
1	1128 640 3205	1	Oil pump	2 - 9
2	0000 958 0518	2	Washer	
3	0000 997 0615	1	Compression spring	
4	1128 647 0605	1	Pump piston	
5	1128 647 4806	1	Control bolt	
6	9380 620 1090	1	Roll pin 2x10	
7	9646 945 0160	2	O-ring 4x2	
8	9646 951 0155	1	O-ring 4x1.5	
9	1128 647 7000	1	Plug	
10	9022 313 0660	2	Spline screw IS-M4x12	
11	1128 647 6600	1	Bearing spacer	
12	1128 640 7112	1	Worm	13
13	1128 647 2400	1	Spring	
14	1128 162 1001	1	Cover washer 58 mm / 2 5/16"	
15	* 1128 162 1000	1	Cover washer 43 mm / 1 3/4"	
	1128 160 2004	1	Clutch	16 - 19
16	1128 162 3202	1	Carrier	
17	1128 162 0807	3	Clutch shoe	
18	1128 162 3000	3	Retainer	
19	0000 997 5815	3	Tension spring	
20	9512 933 2380	1	Needle cage 10x16x12	
21	1128 640 2000	1	Chain sprocket 3/8" 7T (3)	
22	1128 640 2005	1	Chain sprocket 3/8" 8T (B)	
23	0000 958 1022	1	Washer Ø 27 mm (3)	
24	9460 624 0801	1	E-clip 8x1.3	
	1128 007 1000	1	Rim sprocket kit 3/8" 7T	24 - 27
25	0000 642 1223	1	Rim sprocket 3/8" 7T	
26		1	Clutch drum (D)	
27	0000 958 1032	1	Washer Ø 27 mm	
	1128 007 1001	1	Rim sprocket kit 3/8" 8T (B)	24, 26 - 28
28	0000 642 1216	1	Rim sprocket 3/8" 8T (B)	
	1128 007 1011	1	Rim sprocket kit 0.325" 9T (B)	24, 26, 27, 29
29	0000 642 1239	1	Rim sprocket 0.325" 9T (B)	

(1) 11280123006, (2) MS 440-D, (3) MS 440-N, (4) MS 440-RZ Magnum, (5) MS 440-VWZ Magnum Arctic, (6) MS 440-W, (7) MS 440-Z, (8) MS 440-Z Magnum

Chain brake, Chain sprocket cover



1128-GET-0044-A0

(1) 11280123006, (2) MS 440-D, (3) MS 440-N, (4) MS 440-RZ Magnum, (5) MS 440-VWZ Magnum Arctic, (6) MS 440-W, (7) MS 440-Z, (8) MS 440-Z Magnum

Chain brake, Chain sprocket cover

Reference	Item number	Qty	Description	Contains	Technical Information
1	1128 790 9150	1	Hand guard (1,3,4,5,6,7,8)	2 - 5	
2	1124 084 8300	1	Reflector foil (1,3,4,5,6,7,8)		
3	1124 792 5500	1	Bushing		
4	1124 792 5505	1	Bushing		
5	9022 341 1080	1	Spline screw IS-M5x35		
6	1128 790 9151	1	Hand guard (2)	3 - 5, 7, 8	
7	1128 084 8303	1	Reflector foil (2)		
8	1128 792 0900	1	Reflector foil (2)		
9	1128 160 5000	1	Lever		
10	9460 624 0400	2	E-clip 4		
11	1121 162 5010	1	Lever		
12	0000 997 0628	1	Spring		
13	1128 160 5400	1	Brake band		
14	1128 160 5501	1	Tension spring	15	
15	1128 162 8000	1	Hose		
16	1128 021 1102	1	Cover		
17	1128 021 1105	1	Cover		
18	9022 313 0660	4	Spline screw IS-M4x12		
19	1128 640 1706	1	Chain sprocket cover	23, 24	
20	* 1125 640 1701	1	Chain sprocket cover (1,2,3,5,6,7,8)	23, 24	15.2007
21	1122 640 1711	1	Chain sprocket cover (B) (4)	22, 24 - 26, 28 - 30	
22	1122 648 0403	1	Chain sprocket cover (4)		
23	1125 656 1501	1	Guard (1,2,3,5,6,7,8)		
24	1121 648 6610	2	Bumper strip		
25	1122 656 1510	1	Guard (4)		
26	1122 664 0501	1	Bumper spike (4)		
27	0000 660 0850	1	Bumper spike (B)	28, 29	
28	9008 345 0960	2	Hexagon head screw M5x12 (4)		
29	9214 320 0700	3	Lock nut M5		
30	1122 650 7702	1	Chain catcher (4)		
31	1122 664 0506	1	Bumper spike (4)		
32	1128 664 0500	1	Bumper spike (1,2,3,5,6,7,8)		
33	0000 664 0700	1	Limit stop (B)		
34	9022 341 0960	1	Spline screw IS-M5x12		
35	1122 656 7700	1	Chain catcher (1,2,3,5,6,7,8)		

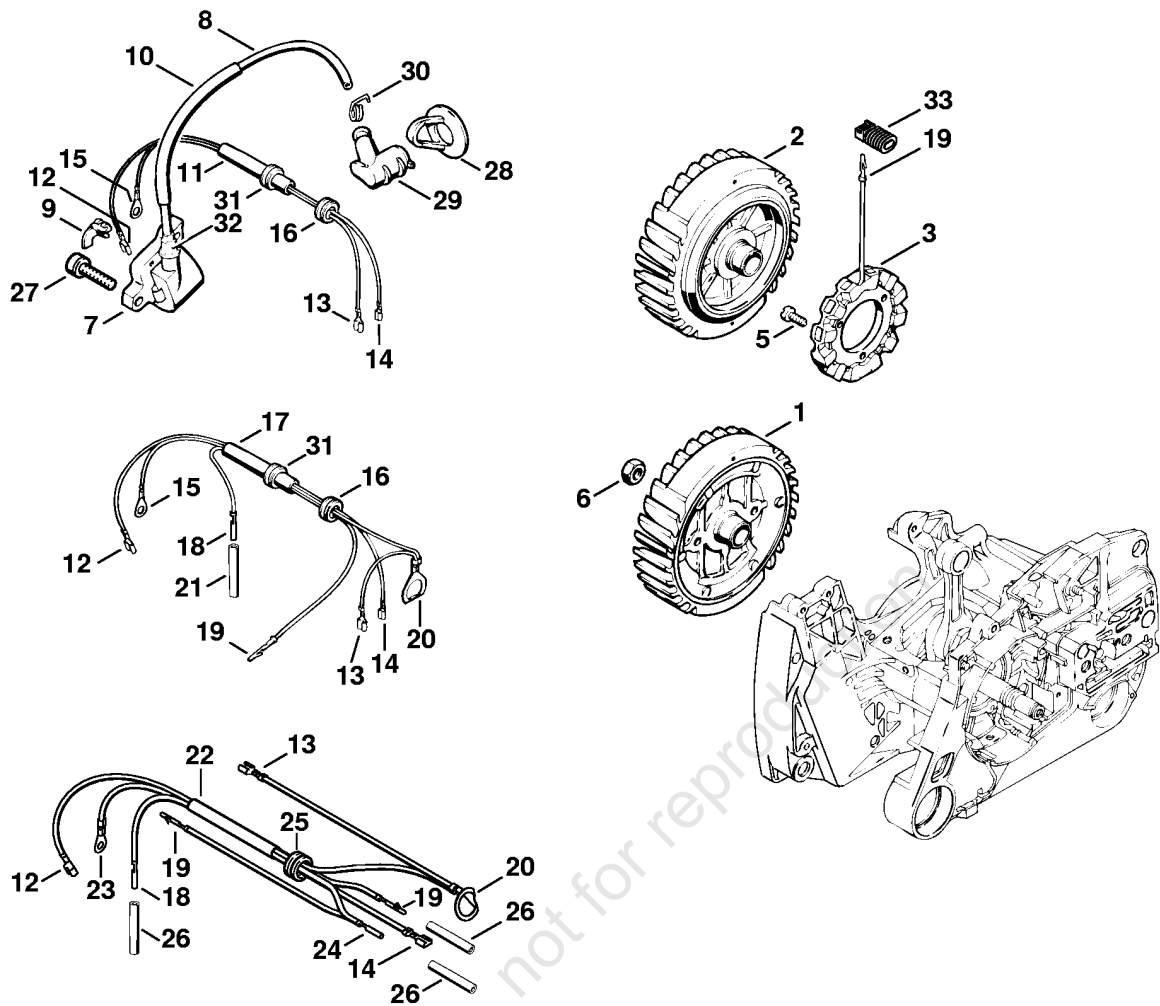
(1) 11280123006, (2) MS 440-D, (3) MS 440-N, (4) MS 440-RZ Magnum, (5) MS 440-VWZ Magnum Arctic, (6) MS 440-W, (7) MS 440-Z, (8) MS 440-Z Magnum

Chain brake, Chain sprocket cover

Reference	Item number	Qty	Description	Contains	Technical Information
36	9022 341 1019	1	Spline screw IS-M5x20		
37	0000 955 0801	2	Hexagon nut M8		
38	0000 967 4514	1	Sticker Arctic (5)		
39	0000 967 3915	1	Instruction label USA (4,5,8)		

online version, not for reproduction

Ignition system



175ET 002 SC

(1) 11280123006, (2) MS 440-D, (3) MS 440-N, (4) MS 440-RZ Magnum, (5) MS 440-VWZ Magnum Arctic, (6) MS 440-W, (7) MS 440-Z, (8) MS 440-Z Magnum

Ignition system

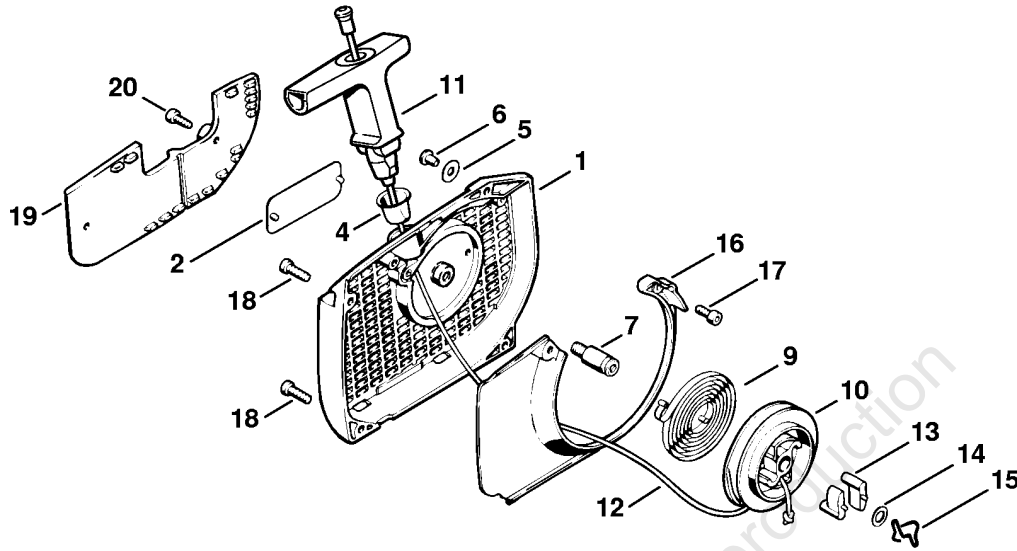
Reference	Item number	Qty	Description	Contains	Technical Information
1	1128 400 1214	1	Flywheel (1,2,3,4,7,8)		25.2005
2	1128 400 1215	1	Flywheel (5,6)		25.2005
3	1128 404 3500	1	Generator (5,6)	19	
5	9041 216 0540	3	Pan head screw M3.5x12 (5,6)		
6	0000 955 0802	1	Collar nut M8x1		
7	0000 400 1300	1	Ignition module	8, 9, 32	
8		1	Ignition lead 150 mm (D)		
	0000 405 0600	1	Ignition lead 1 m (A,B)		
	0000 930 2251	1	Ignition lead 10 m (A,B)		
9	0000 448 1250	1	Lead retainer		
10	1122 442 0400	1	Insulating hose 100 mm / 4"		
11	1128 440 3002	1	Wiring harness (1,2,3,4,7,8)	12 - 16	
12	0751 030 8957	1	Terminal socket 4.8-1/0.8 (C)		
13	0751 030 8955	1	Terminal socket 4.8-1/0.4 (C)		
14	0751 030 8407	1	Terminal socket 2.8-1/0.4 (C)		
15	0751 030 8969	1	Terminal socket A5-1.5 (C) (1,2,3,4,6,7,8)		
16	0000 989 0814	1	Grommet (1,2,3,4,6,7,8)		
17	1128 440 3003	1	Wiring harness (6)	12 - 16, 18 - 20	
18	1118 431 6700	1	Terminal socket (C) (5,6)		
19	1118 431 6600	2	Terminal pin (C) (5,6)		
20	0751 030 8963	1	Terminal socket 12-1 (C) (5,6)		
21	1121 442 0402	1	Insulating hose 35 mm / 1.4" (6)		
22	1128 440 3012	1	Wiring harness (5)	12 - 14, 18 - 20, 23 - 25	
23	0751 030 8968	1	Terminal socket 5-2.5 (C) (5)		
24		1	Terminal socket (D) (5)		
25	0000 989 0812	1	Grommet (5)		
26	1121 442 0402	3	Insulating hose 35 mm / 1.4" (5)		
27	9022 341 1019	2	Spline screw IS-M5x20		
28	1128 084 1400	1	Spark plug boot cover		
29	1128 405 1000	1	Spark plug boot		
30	0000 998 0604	1	Spark plug contact spring		
31	1125 084 8900	1	Grommet		

(1) 11280123006, (2) MS 440-D, (3) MS 440-N, (4) MS 440-RZ Magnum, (5) MS 440-VWZ Magnum Arctic, (6) MS 440-W, (7) MS 440-Z, (8) MS 440-Z Magnum

Ignition system

Reference	Item number	Qty	Description	Contains	Technical Information
32	0000 989 1010	1	Grommet		
33	1121 405 1900	1	Support (5,6)		

online version, not for reproduction



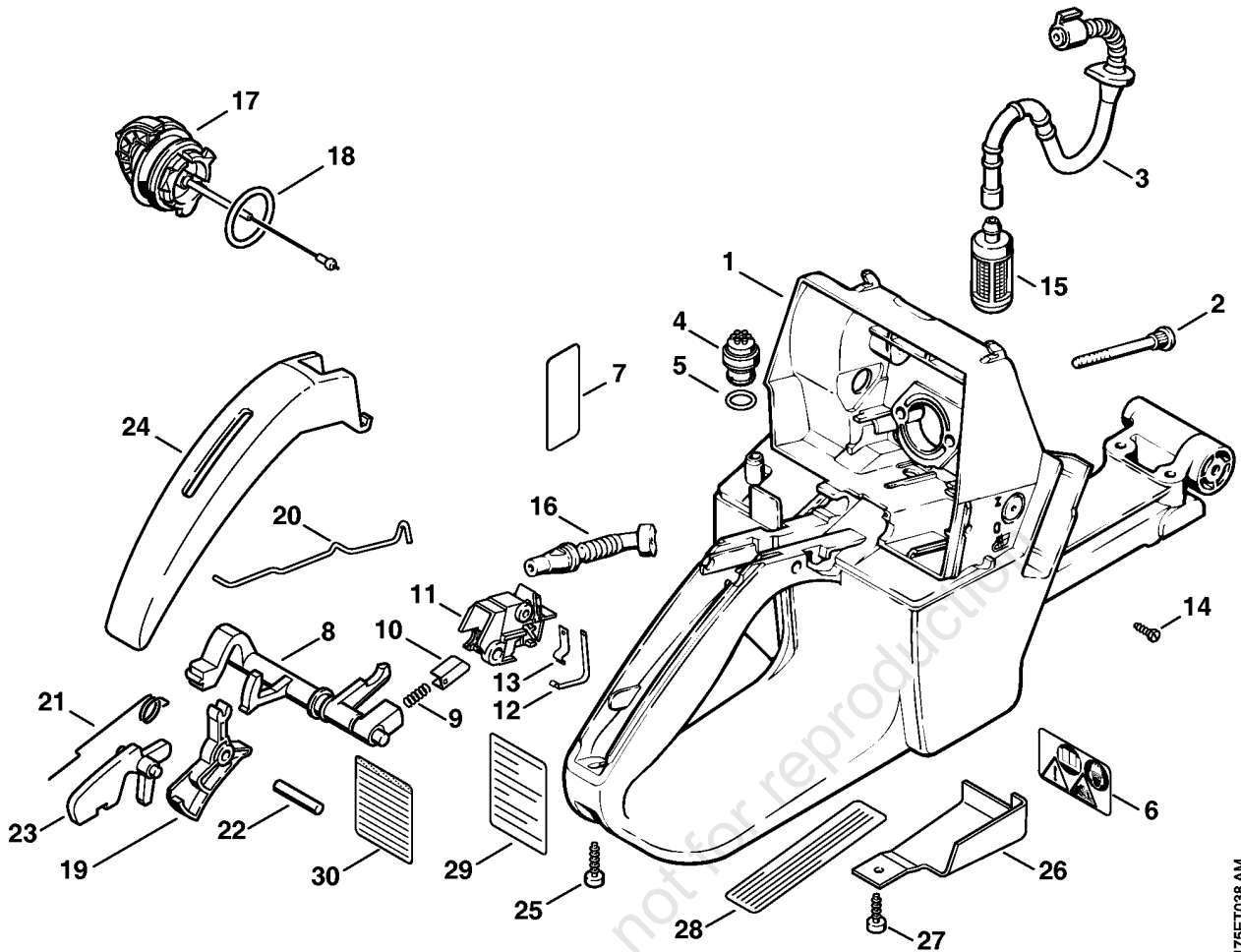
online version, not for reproduction

175ET003 SC

Rewind starter

Reference	Item number	Qty	Description	Contains
	1128 080 2104	1	Fan housing with rewind starter	1 - 17
1	1128 080 1812	1	Fan housing	2 - 7, 14
2	0000 967 2035	1	Nameplate STIHL	
4	1110 084 9102	1	Bushing	
5	0000 958 0607	1	Washer	
6	9416 868 6530	1	Hollow rivet 6.5x0.5x6.8	
7	1128 080 6500	1	Axle	14
9	1129 190 0601	1	Rewind spring	
10	1128 195 0400	1	Rope rotor	
11	1128 190 3400	1	Starter grip ElastoStart Ø 3,5 mm	12
12	1128 190 2900	1	Starter rope Ø 3.5 mm	
	0000 930 2267	1	Starter rope Ø 3.5 mm / 28 pieces (A,B)	
13	1125 195 7200	2	Pawl	
14	0000 958 0923	1	Washer	
15	1128 195 3500	1	Spring	
16	1128 084 7801	1	Segment	
17	9022 313 0660	2	Spline screw IS-M4x12	
18	9022 371 1020	3	Spline screw IS-M5x20	
19	1128 080 7500	1	Cover plate (B)	20
20	9022 313 0660	2	Spline screw IS-M4x12 (B)	

Tank housing



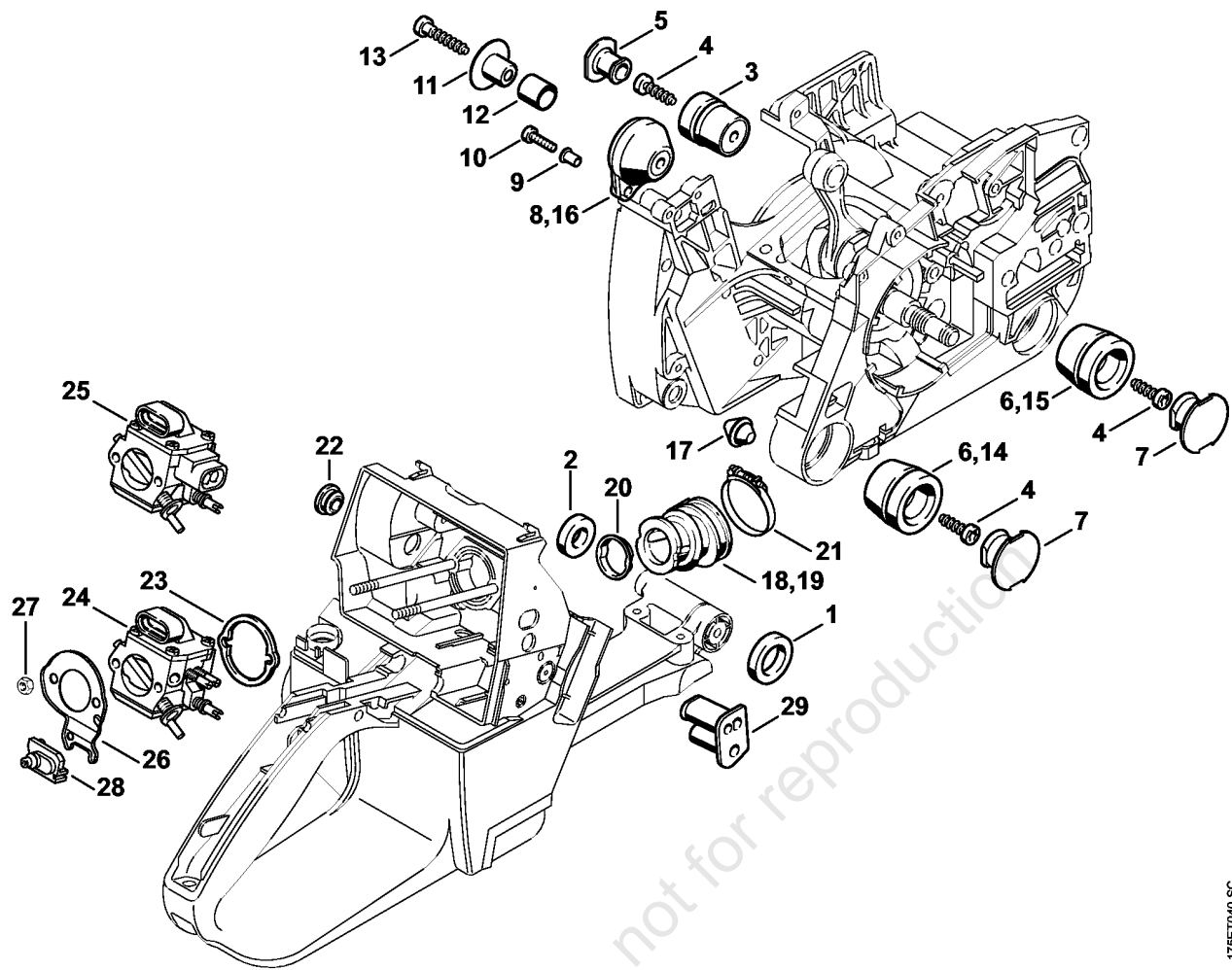
175ET038 AM

(1) 11280123006, (2) MS 440-D, (3) MS 440-N, (4) MS 440-RZ Magnum, (5) MS 440-VWZ Magnum Arctic, (6) MS 440-W, (7) MS 440-Z, (8) MS 440-Z Magnum

Tank housing

Reference	Item number	Qty	Description	Contains	Technical Information
1	1128 350 0851	1	Tank housing	2 - 6, 17, 18	8.2012
2	1128 122 6606	2	Collar screw		
3	1128 350 7600	1	Hose		
4	0000 350 5800	1	Tank vent	5	
5		1	O-ring (D)		
6	0000 967 7247	1	Warning pictogram MS		
7	* 0000 967 3605	1	Warning pictogram Filler cap USA, CDN (4,5,8)		8.2012
8	1128 180 0910	1	Switch shaft	9, 10	
9	0000 997 0227	1	Compression spring		
10	1128 182 1700	1	Slide control		
11	1128 180 3501	1	Switch housing	12, 13	
12	1128 442 1600	1	Contact spring		
13	1128 442 1601	1	Contact spring		
14	9099 021 1760	1	Self-tapping screw 2.9x9.5		
15	0000 350 3518	1	Pickup body		
16	1128 141 8600	1	Impulse hose		
17	0000 350 0533	1	Filler cap	18	8.2012
18	9645 948 7734	1	O-ring 25x3.5		8.2012
19	1128 182 1005	1	Throttle trigger		
20	1128 182 1500	1	Throttle rod		
21	1117 182 4500	1	Torsion spring		
22	9371 470 2640	1	Cylindrical pin 5x24		
23	1117 182 0805	1	Lockout lever		
24	1128 791 0600	1	Handle molding		
25	9074 478 3076	1	Pan head self-tapping screw IS-P4x19		
26	1128 656 1500	1	Guard USA, CDN (4,5,8)		
27	9099 021 2770	1	Self-tapping screw 3.9x13 USA, CDN (4,5,8)		
28	0000 967 3500	1	Instruction label USA (4,5,8)		
29	0000 967 3405	1	Instruction label (C) (2)		
30	0000 967 4067	1	Warning Spark arresting screen USA (4,5,7,8)		

(1) 11280123006, (2) MS 440-D, (3) MS 440-N, (4) MS 440-RZ Magnum, (5) MS 440-VWZ Magnum Arctic, (6) MS 440-W, (7) MS 440-Z, (8) MS 440-Z Magnum



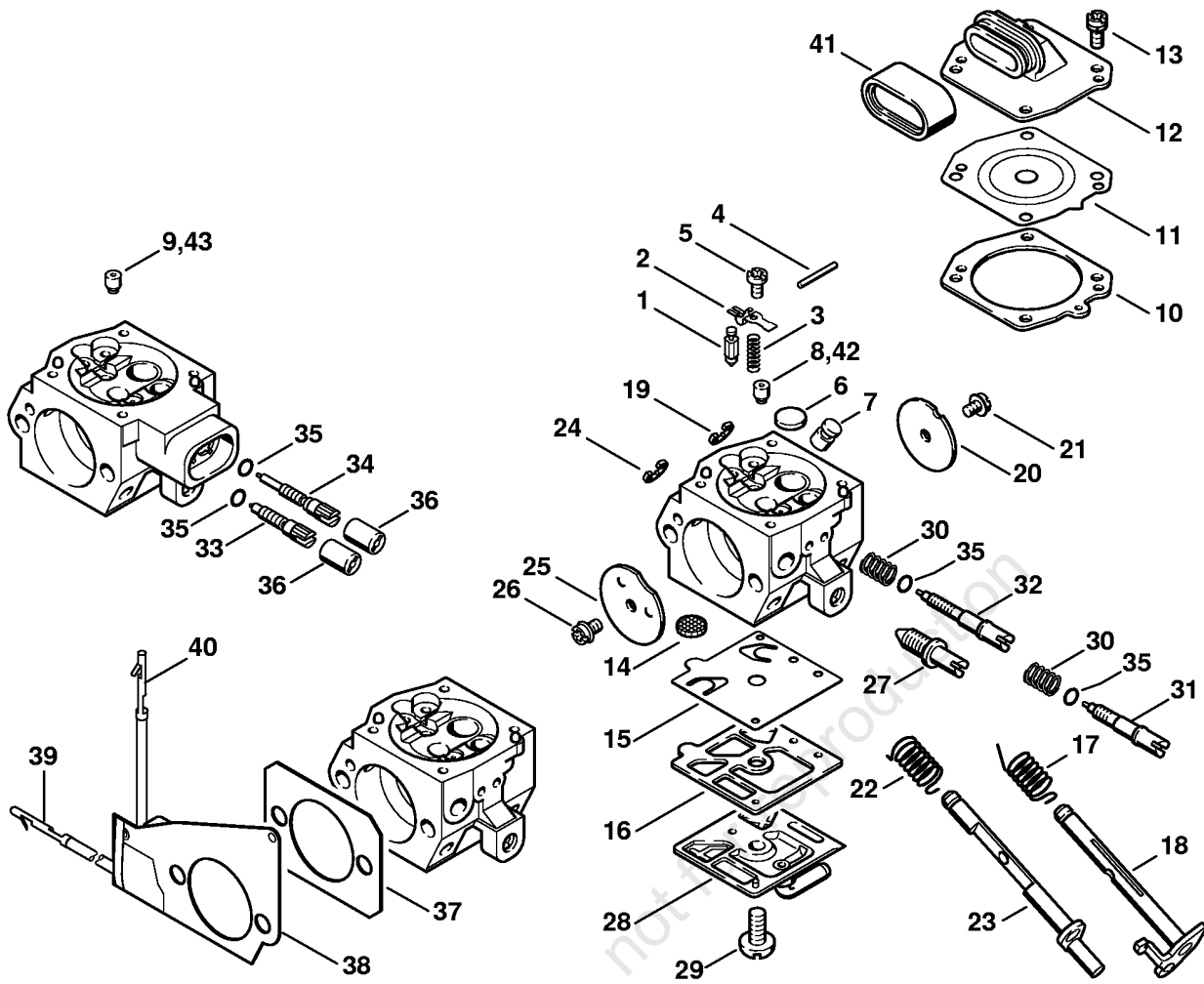
175ET040 SC

(1) 11280123006, (2) MS 440-D, (3) MS 440-N, (4) MS 440-RZ Magnum, (5) MS 440-VWZ Magnum Arctic, (6) MS 440-W, (7) MS 440-Z, (8) MS 440-Z Magnum

AV system

Reference	Item number	Qty	Description	Contains	Technical Information
1	1128 791 8401	1	Ring		
2	1128 791 8400	1	Ring		
3	1122 790 9905	1	Annular buffer 1122/05		
4	9074 478 4435	3	Pan head self-tapping screw IS-P6x19		
5	1122 791 7301	1	Plug		
6	1121 790 9904	2	Annular buffer (1,2,3,6)		
6	1125 790 9906	2	Annular buffer 1125/06 (5,7,8)		
7	1125 791 7306	2	Plug		
8	1128 790 9909	1	Annular buffer (1,2,3,6)	9	
8	1128 790 9908	1	Annular buffer (5,7,8)	9	
9	9416 868 5630	2	Hollow rivet 5.5x0.5x6.8		
10	9022 313 0680	2	Pan head screw IS M4x16		
11	1128 791 7200	1	Sleeve		
12	1128 792 8500	1	Hose (1,2,3,6)		
13	9074 478 4675	1	Pan head self-tapping screw IS-P6x32.5		
14	1125 790 9910	1	Annular buffer 1125/10 (4)		
15	1125 790 9904	1	Annular buffer 1125/04 (4)		
16	1128 790 9911	1	Annular buffer (4)	9	
17	1133 791 5900	1	Stop buffer		
18	1128 141 2203	1	Manifold		
19	1128 141 2204	1	Manifold Arctic (5)		46.2008
20	1117 141 1800	1	Sleeve		
21	9771 021 2578	1	Hose clip Ø 34x5		
22	1110 145 9001	1	Plug		
23	1128 121 8600	1	Washer		
24	1128 120 0625	1	Carburetor HD-15D (7)		
24	* 1128 120 0625	1	Carburetor HD-15D (1,2,3,6)		
25	1128 120 0622	1	Carburetor HD-17D (1,2,3,4,5,6,8)		
26	1128 121 7000	1	Baffle		
27	9210 260 0700	2	Hexagon nut M5		
28	1128 182 0700	1	Grommet		
29	1128 123 7502	1	Grommet		

(1) 11280123006, (2) MS 440-D, (3) MS 440-N, (4) MS 440-RZ Magnum, (5) MS 440-VWZ Magnum Arctic, (6) MS 440-W, (7) MS 440-Z, (8) MS 440-Z Magnum



175ET032 SC

(1) 11280123006, (2) MS 440-D, (3) MS 440-N, (4) MS 440-RZ Magnum, (5) MS 440-VWZ Magnum Arctic, (6) MS 440-W, (7) MS 440-Z, (8) MS 440-Z Magnum

Carburetor HD-15, HD-17

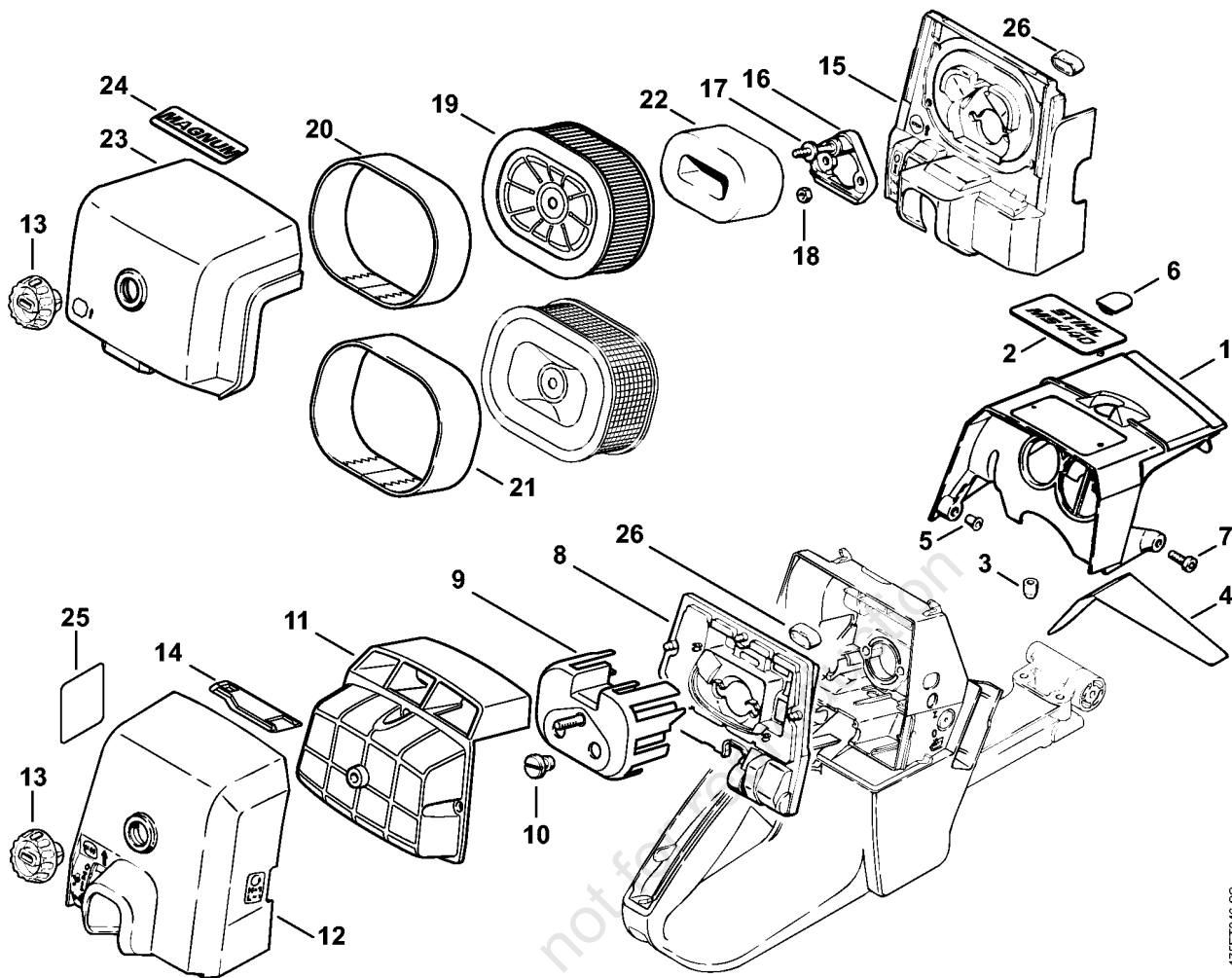
Reference	Item number	Qty	Description	Contains
	1128 120 0625	1	Carburetor HD-15D (1,2,3,6,7)	1 - 8, 10 - 32, 35, 42
	1128 120 0622	1	Carburetor HD-17D (1,2,3,4,5,6,8)	1 - 7, 9 - 29, 33 - 36, 43
1	4116 121 5100	1	Inlet needle	
2	4116 121 5000	1	Inlet control lever	
3	1128 122 3002	1	Spring	
4	1113 121 9200	1	Spindle	
5	1114 122 7400	1	Round head screw	
6	4117 122 9402	1	Plug	
7	1128 121 5405	1	Valve jet	
8	1128 121 5602	1	Fixed jet 0.70 (1,2,3,6,7)	
9	1128 121 5605	1	Fixed jet 0.66 (1,2,3,4,5,6,8)	
10	1128 129 0906	1	Gasket	
11	4116 121 4700	1	Metering diaphragm	
12	1128 121 0801	1	End cover	
13	1121 122 7101	4	Screw	
14	1114 121 7800	1	Strainer	
15	4116 121 4800	1	Pump diaphragm	
16	4116 129 0902	1	Gasket	
17	1127 122 3205	1	Torsion spring	
18	1127 120 7100	1	Throttle shaft with lever	
19	1117 122 9000	1	E-clip	
20	1128 121 3302	1	Throttle shutter	
21	1115 122 7400	1	Round head screw	
22	1127 122 3200	1	Torsion spring	
23	1127 120 7200	1	Choke shaft with lever	
24	1123 122 9000	1	E-clip	
25	1122 121 2900	1	Choke shutter	
26	1110 122 7400	1	Round head screw	
27	1127 122 6200	1	Idle speed screw	
28	1127 121 0800	1	End cover	
29	1114 122 7100	1	Screw	
30	1128 122 3003	2	Spring (1,2,3,6,7)	
31	1127 122 6701	1	High speed screw (1,2,3,6,7)	35
32	1128 122 6807	1	Low speed screw (1,2,3,6,7)	35
33	1128 122 6703	1	High speed screw (1,2,3,4,5,6,8)	35
34	1128 122 6806	1	Low speed screw (1,2,3,4,5,6,8)	35
35		1	Sealing ring (D)	

(1) 11280123006, (2) MS 440-D, (3) MS 440-N, (4) MS 440-RZ Magnum, (5) MS 440-VWZ Magnum Arctic, (6) MS 440-W, (7) MS 440-Z, (8) MS 440-Z Magnum

Carburetor HD-15, HD-17

Reference	Item number	Qty	Description	Contains
36	4203 121 2700	2	Cap (1,2,3,4,5,6,8)	
37	1128 129 1100	1	Gasket Carburetor heating (5)	
38	1128 430 6002	1	Heating element Carburetor heating (5)	39, 40
39	1118 431 6600	1	Terminal pin (C) Carburetor heating (5)	
40	1118 431 6700	1	Terminal socket (C) Carburetor heating (5)	
41	1124 121 9100	1	Bushing	
42	1128 121 5605	1	Fixed jet 0.66 (B) High altitude (1,2,3,6,7)	
43	1122 121 5604	1	Fixed jet 0.64 (B) High altitude (1,2,3,4,5,6,8)	
	1128 007 1066	1	Set of carburetor parts (B)	1 - 3, 10, 11, 14 - 16, 30

online version, not for reproduction

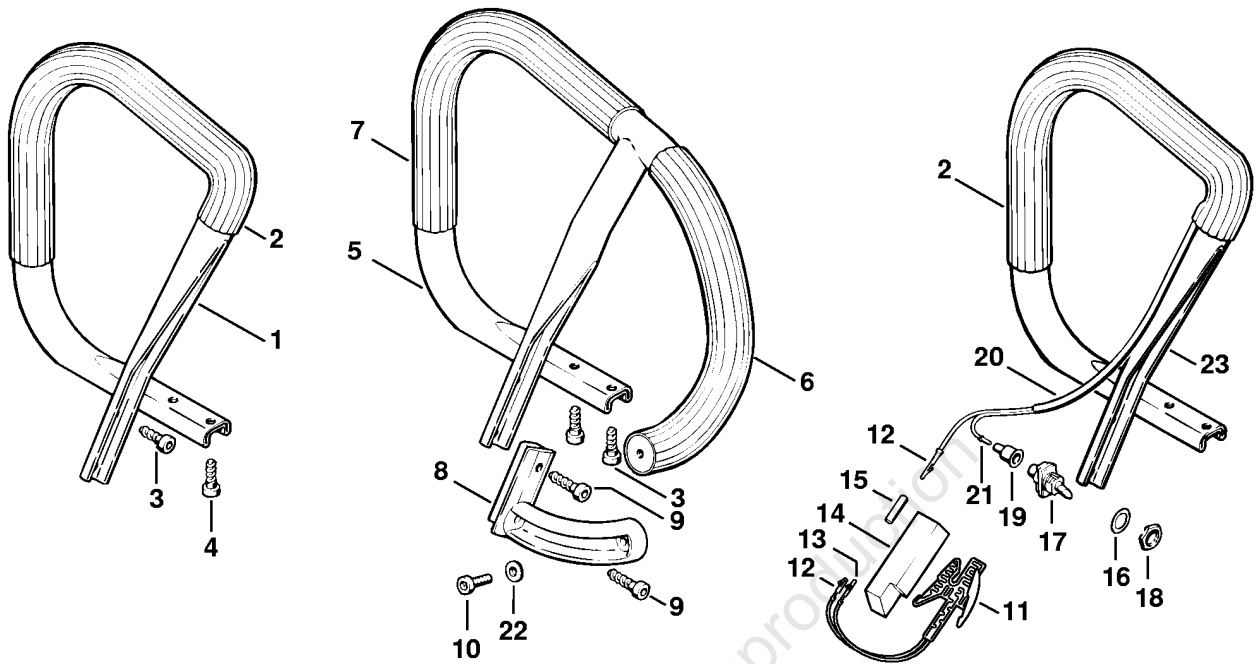


(1) 11280123006, (2) MS 440-D, (3) MS 440-N, (4) MS 440-RZ Magnum, (5) MS 440-VWZ Magnum Arctic, (6) MS 440-W, (7) MS 440-Z, (8) MS 440-Z Magnum

Shroud, Air filter

Reference	Item number	Qty	Description	Contains	Technical Information
1	1128 080 1624	1	Shroud	3 - 6	
2	1128 967 1511	1	Model plate MS 440		
3	1121 084 7100	1	Cap		
4	1128 084 8301	1	Reflector foil		
5	0000 963 0808	3	Bushing		
6	1122 084 7100	1	Cap		
7	9022 341 0980	3	Spline screw IS-M5x16		
8	1128 120 1602	1	Air filter (1,2,3,5,6,8)		
9	1128 120 4101	1	Baffle (1,2,3,5,6,8)	10	
10	1128 141 8300	2	Slotted nut (1,2,3,5,6,8)		
11	1128 120 1603	1	Air filter (1,2,3,6)		
11	1128 120 1604	1	Air filter, fleece (5,8)		
12	1128 140 1909	1	Carburetor box cover (1,2,3,5,6,8)	13, 14	
13	1124 140 9500	1	Twist lock		
14	1122 141 4000	1	Slide (1,2,3,5,6,8)		
15	1128 124 3408	1	Filter base (4,5,7,8)		
16	1128 120 2201	1	Flange (4,5,7,8)	17	
17	1128 122 6610	1	Collar screw (4,5,7,8)		
18	9216 263 0700	2	Hexagon nut M5 (4,5,7,8)		
19	0000 140 4402	1	Air filter HD2 (4,5,7,8)		
20	0000 141 0601	1	Prefilter (B)		
21	* 0000 141 0300	1	Prefilter (4,5,7,8)		47.2010
22	0000 124 0800	1	Filter insert (4,5,7,8)		
23	1128 140 1003	1	Filter cover (4,5,7,8)	13	
24	0000 967 1593	1	Model plate Magnum (4,5,8)		
25	0000 967 7248	1	Warning pictogram Filler cap USA, CDN (4,5,8)		8.2012
26	1124 121 9100	1	Bushing		

Handlebar, Heating element



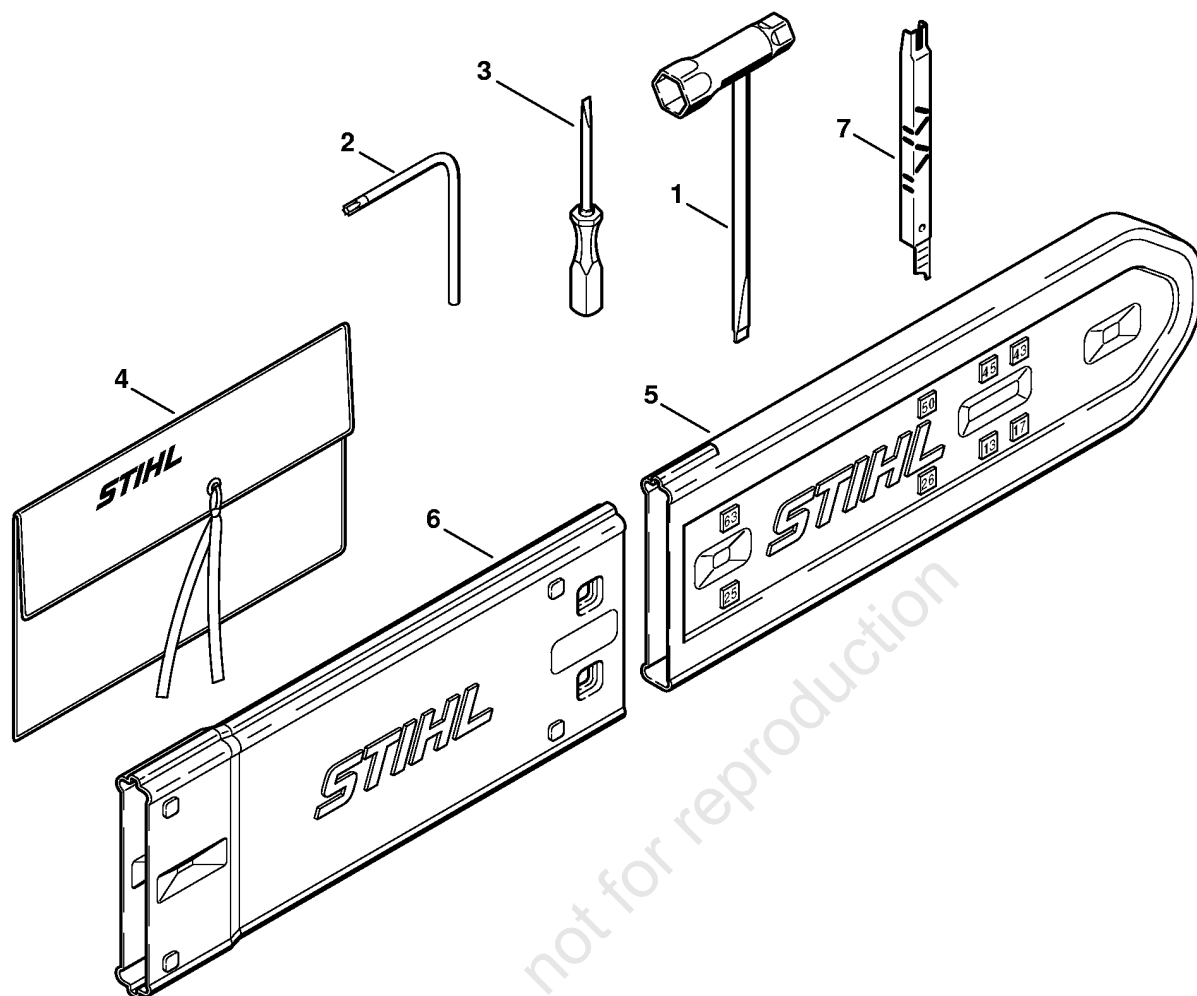
online version, not for reproduction

175ET029 SC

(1) 11280123006, (2) MS 440-D, (3) MS 440-N, (4) MS 440-RZ Magnum, (5) MS 440-VWZ Magnum Arctic, (6) MS 440-W, (7) MS 440-Z, (8) MS 440-Z Magnum

Handlebar, Heating element

Reference	Item number	Qty	Description	Contains
1	1128 790 1750	1	Handlebar with hose (1,2,3,7,8)	2
2		1	Handle hose 460 mm / 18 1/8" (D) (1,2,3,7,8)	
3	9074 478 4475	2	Pan head self-tapping screw IS-P6x21.5	
4	9074 478 4435	2	Pan head self-tapping screw IS-P6x19	
5	1128 790 3600	1	Wrap around handlebar (4)	6, 7
6		1	Handle hose 225 mm / 8 7/8" (D) (4)	
7		1	Handle hose 290 mm / 13 3/4" (D) (4)	
8	1128 791 5500	1	Elbow connector (4)	
9	9074 478 4675	2	Pan head self-tapping screw IS-P6x32.5 (4)	
10	9022 371 1020	1	Spline screw IS-M5x20 (4)	
11	1128 434 5000	1	Heating element (5,6)	12, 13
12	1118 431 6700	2	Terminal socket (C) (5,6)	
13	1118 431 6600	1	Terminal pin (C) (5,6)	
14	1121 791 9000	1	Clamp (5,6)	
15	1121 442 0402	2	Insulating hose 35 mm / 1.4" (5,6)	
16	0000 958 1511	1	Washer (5,6)	
17	1128 430 0200	1	Switch (5,6)	
18	1128 432 2200	1	Hexagon nut (5,6)	
19	1110 432 9200	1	Grommet (5,6)	
20		1	Insulating hose (D) (5,6)	
21	0000 442 7000	1	Contact sleeve (C) (5,6)	
22	9307 021 0120	1	Washer 5.3 (4)	
	0000 791 2009	1	Handle hose Ø 19 mm x 5 m / 3/4x197" (A,B) (1,2,3,4,7,8)	
23	1128 790 1752	1	Handlebar (5,6)	12, 20, 21



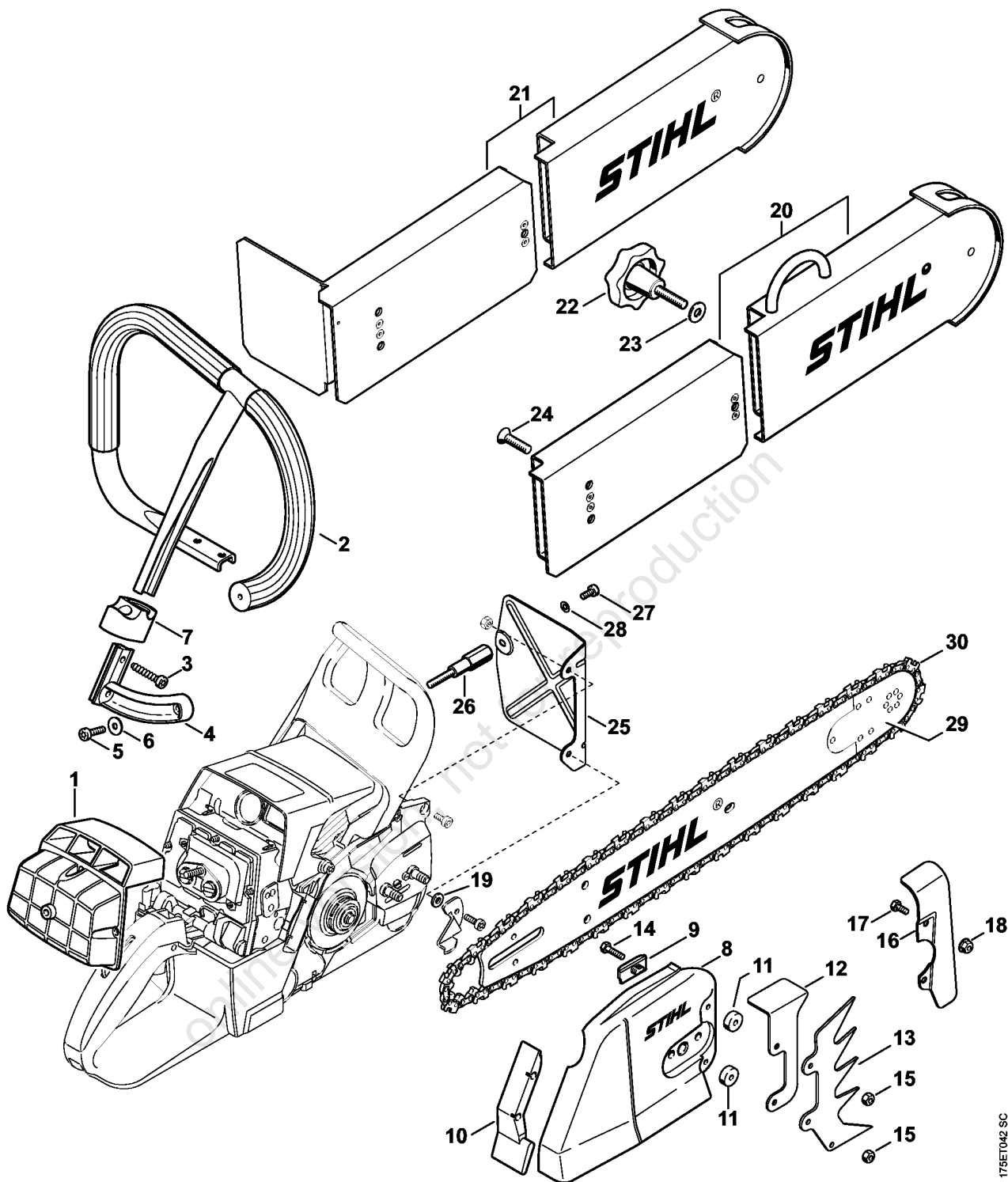
(1) 11280123006, (2) MS 440-D, (3) MS 440-N, (4) MS 440-RZ Magnum, (5) MS 440-VWZ Magnum Arctic, (6) MS 440-W, (7) MS 440-Z, (8) MS 440-Z Magnum

175ET020 SC

Tools, Extras

Reference	Item number	Qty	Description	Contains
	1121 890 1400	1	Tool kit	1 - 4
1	1129 890 3401	1	Combination wrench	
2	0812 370 1000	1	Screwdriver T27x120x70	
3	0000 890 2300	1	Screwdriver	
4	0000 891 0810	1	Tool roll	
5	0000 792 9129	1	Chain scabbard	
6	0000 792 9132	1	Chain scabbard extension up to 63 cm (B,C)	
7	1110 893 4000	1	Filing gauge (B)	

online version, not for reproduction



175BT042 SC

(1) 11280123006, (2) MS 440-D, (3) MS 440-N, (4) MS 440-RZ Magnum, (5) MS 440-VWZ Magnum Arctic, (6) MS 440-W, (7) MS 440-Z, (8) MS 440-Z Magnum

Conversion kit rescue saw (27.2000), (31.2005), (15.2007)

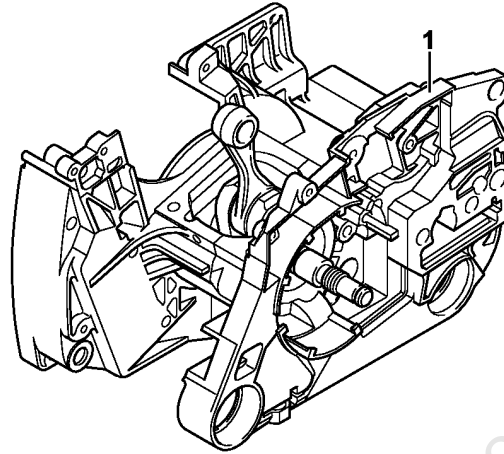
Reference	Item number	Qty	Description	Contains	Technical Information
	1128 007 1016	1	Conversion kit rescue saw 044/MS440 (B) (1,2,3,4,5,6,7)	1 - 15, 20, 22 - 28	15.2007 31.2005
1	1128 120 1604	1	Air filter, fleece (1,2,3,4,5,6,7)		15.2007 31.2005
2	1128 790 3600	1	Wrap around handlebar (1,2,3,4,5,6,7)		15.2007 31.2005
3	9074 478 4675	2	Pan head self-tapping screw IS-P6x32.5 (1,2,3,4,5,6,7)		15.2007 31.2005
4	1128 791 5500	1	Elbow connector (1,2,3,4,5,6,7)		15.2007 31.2005
5	9022 371 1020	1	Spline screw IS-M5x20 (1,2,3,4,5,6,7)		15.2007 31.2005
6	9307 021 0120	1	Washer 5.3 (1,2,3,4,5,6,7)		15.2007 31.2005
7	1128 891 8600	1	Support (1,2,3,4,5,6,7)		15.2007 31.2005
	1128 640 1709	1	Chain sprocket cover (1,2,3,4,5,6,7)	8 - 15	15.2007 31.2005
8	1122 648 0403	1	Chain sprocket cover (1,2,3,4,5,6,7)		15.2007 31.2005
9	1121 648 6610	1	Bumper strip (1,2,3,4,5,6,7)		15.2007 31.2005
10	1122 656 1510	1	Guard (1,2,3,4,5,6,7)		15.2007 31.2005
11	3003 655 9200	2	Washer (1,2,3,4,5,6,7)		15.2007 31.2005
12	1128 664 2200	1	Cover (1,2,3,4,5,6,7)		15.2007 31.2005
13	1128 664 0501	1	Bumper spike (1,2,3,4,5,6,7)		15.2007 31.2005
14	9008 319 1020	2	Hexagon head screw M5x20 (1,2,3,4,5,6,7)		15.2007 31.2005
15	9214 320 0700	2	Lock nut M5 (1,2,3,4,5,6,7)		15.2007 31.2005
16	* 3003 656 3000	1	Cover (1,2,3,4,5,6,7)		15.2007 31.2005
17	* 9008 345 0960	2	Hexagon head screw M5x12 (1,2,3,4,5,6,7)		15.2007 31.2005
18	* 9216 263 0700	2	Hexagon nut M5 (1,2,3,4,5,6,7)		15.2007 31.2005
19	* 9309 021 0110	1	Washer 5.3 (1,2,3,4,5,6,7)		15.2007 31.2005
20	3003 650 6502	1	Depth limiter kit (1,2,3,4,5,6,7)	22 - 24	15.2007 31.2005
21	* 3003 650 6500	1	Depth limiter kit (1,2,3,4,5,6,7)	22 - 24	15.2007 31.2005
22	9570 601 1880	1	Star grip screw M8x35-AL (1,2,3,4,5,6,7)		15.2007 31.2005
23	9308 021 0180	1	Washer 8.4 (1,2,3,4,5,6,7)		15.2007 31.2005
24	9064 341 1860	2	Countersunk screw M8x30 (1,2,3,4,5,6,7)		15.2007 31.2005
25	1128 145 3701	1	Guard plate		15.2007 31.2005

(1) 11280123006, (2) MS 440-D, (3) MS 440-N, (4) MS 440-RZ Magnum, (5) MS 440-VWZ Magnum Arctic, (6) MS 440-W, (7) MS 440-Z, (8) MS 440-Z Magnum

Conversion kit rescue saw (27.2000), (31.2005), (15.2007)

Reference	Item number	Qty	Description	Contains	Technical Information
			(1,2,3,4,5,6,7)		
26	1128 148 1201	1	Screw M6 (1,2,3,4,5,6,7)		15.2007 31.2005
27	9022 399 0950	1	Spline screw IS-M5x10 (1,2,3,4,5,6,7)		15.2007 31.2005
28	9307 021 0120	1	Washer 5.3 (1,2,3,4,5,6,7)		15.2007 31.2005
29	3003 002 9421	1	Rollomatic ES 20" 3/8" .063"/1,6mm (1,2,3,4,5,6,7)		15.2007 31.2005
30	3944 000 0072	1	36RDR chain Rapid Duro R (1,2,3,4,5,6,7)		15.2007 31.2005
	3944 660 6300	1	Right hand cutter (A,B) (1,2,3,4,5,6,7)		15.2007 31.2005
	3944 660 6500	1	Left hand cutter (A,B) (1,2,3,4,5,6,7)		15.2007 31.2005
	3725 662 1000	1	Drive link (A,B) (1,2,3,4,5,6,7)		15.2007 31.2005
	3724 660 6600	1	Tie strap with rivets (A,B) (1,2,3,4,5,6,7)		15.2007 31.2005
	3994 662 3901	1	Triple-hump tie strap, right-hand (A,B) (1,2,3,4,5,6,7)		15.2007 31.2005
	3994 662 4001	1	Triple-hump tie strap, left- hand (A,B) (1,2,3,4,5,6,7)		15.2007 31.2005
*	3949 007 1000	1	Cutter repair kit, r/h (A,B) (1,2,3,4,5,6,7)		15.2007 31.2005
*	3949 007 1001	1	Cutter repair kit, l/h (A,B) (1,2,3,4,5,6,7)		15.2007 31.2005
*	3949 007 1002	1	Drive link repair kit (A,B) (1,2,3,4,5,6,7)		15.2007 31.2005

(1) 11280123006, (2) MS 440-D, (3) MS 440-N, (4) MS 440-RZ Magnum, (5) MS 440-VWZ Magnum Arctic, (6) MS 440-W, (7) MS 440-Z, (8) MS 440-Z Magnum



online version, not for reproduction

175ET044 SC

Serial number

Reference	Qty	Description
1	1	Position of serial number

online version, not for reproduction