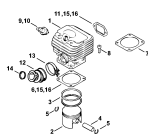
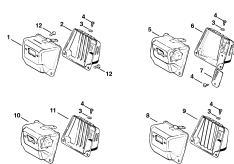


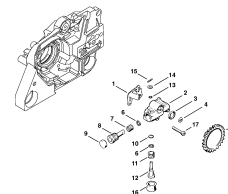
Crankcase



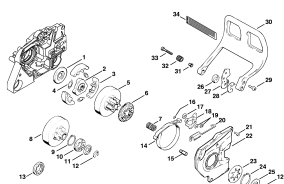
Cylinder



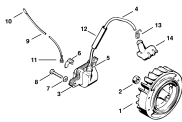
Muffler



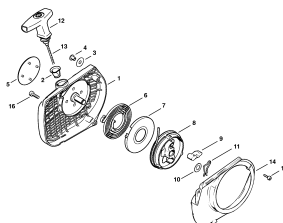
Oil pump



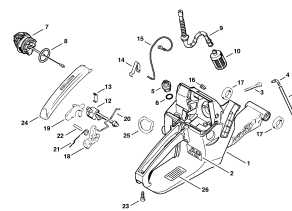
Clutch



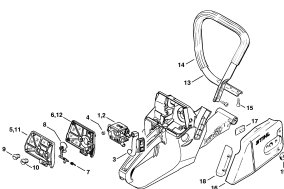
Ignition system



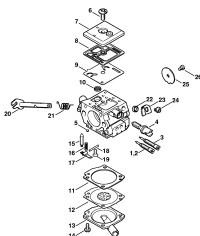
Rewind starter



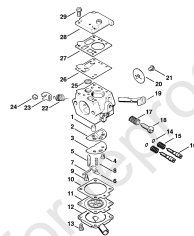
Tank housing



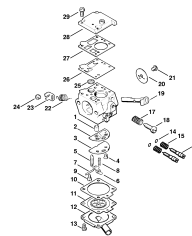
Air filter, Handlebar



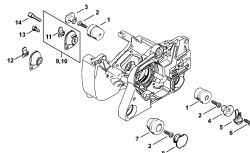
Carburetor C3-S148,
C3-S149



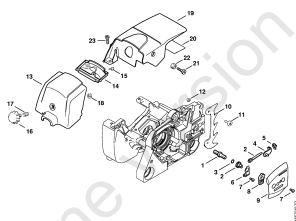
Carburetor Bing 48A101
(50.2008)



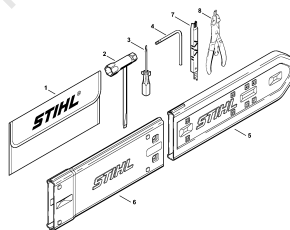
Carburetor Bing 48A125
(50.2008)



AV system



Chain tensioner,
Carburetor box cover

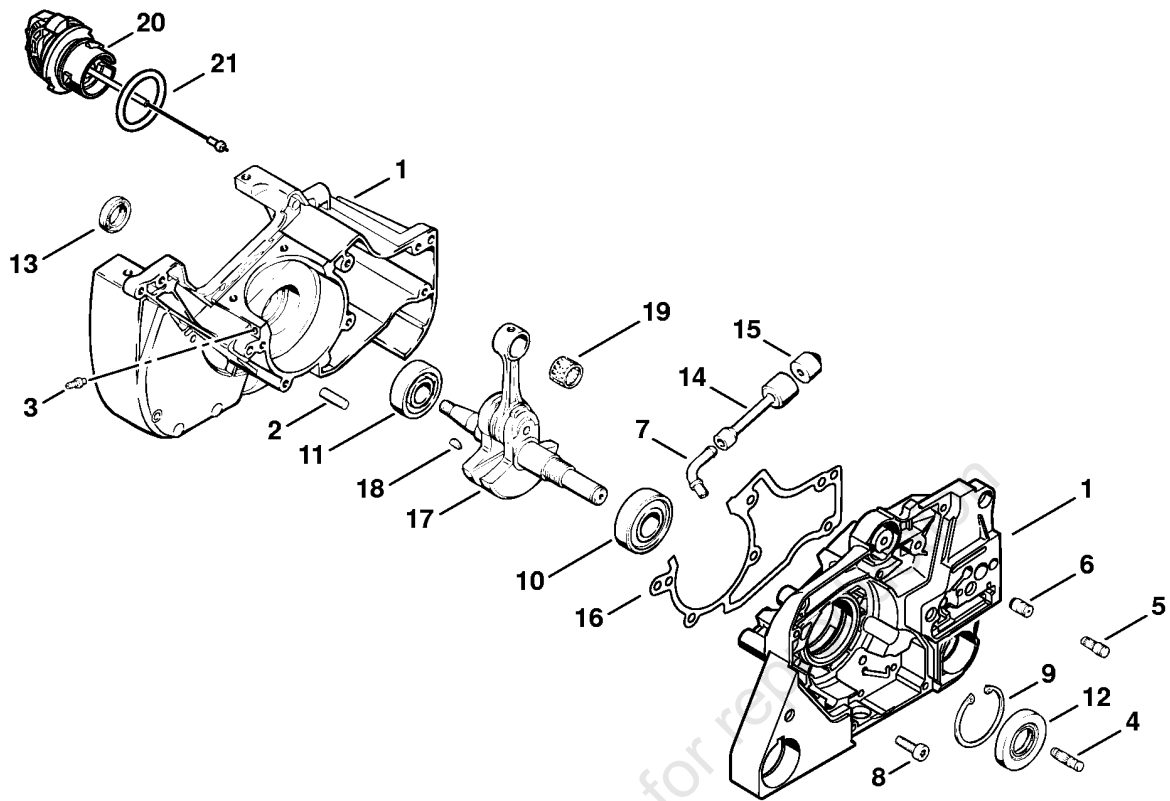


Tools, Extras

Description	Technical Information
Crankcase	
Cylinder	
Muffler	
Oil pump	
Clutch	
Ignition system	
Rewind starter	
Tank housing	
Air filter, Handlebar	
Carburetor C3-S148, C3-S149	
Carburetor Bing 48A101 (50.2008)	
Carburetor Bing 48A125 (50.2008)	
AV system	
Chain tensioner, Carburetor box cover	
Tools, Extras	

online version, not for reproduction

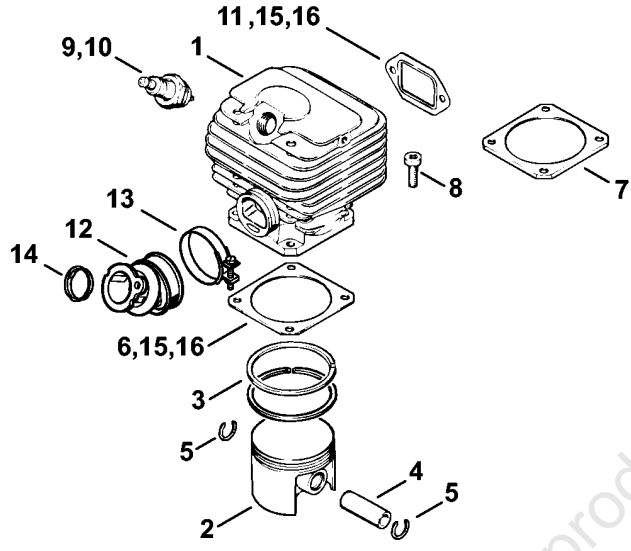
Crankcase



215ET000 TG

Crankcase

Reference	Item number	Qty	Description	Contains	Technical Information
1	1119 020 2121	1	Crankcase	2 - 11, 21, 22	8.2012
2	9371 470 2610	2	Cylindrical pin 5x18		
3	0000 988 5211	1	Connector		
4	1118 162 5200	1	Pin		
5	1117 162 5225	2	Pin		
6	1128 640 9100	1	Valve		
7	1118 028 7400	1	Connector		
8	9022 341 1010	6	Spline screw IS-M5x18		
9	9456 621 4330	1	Circlip 40x1.75		
10	9503 003 0440	1	Grooved ball bearing 6203		
11	9503 003 0340	1	Grooved ball bearing 6202		
12	9640 003 1880	1	Oil seal 17x39.9x5		
13	9640 003 1340	1	Oil seal 13x22x5		
14	1106 647 9404	1	Hose		
15	1106 640 3801	1	Pickup body		
16	1119 029 0500	1	Gasket		
17	1119 030 0400	1	Crankshaft	18	25.2005
18	1120 036 8500	1	Woodruff key 2x3.7		
19	9512 003 3140	1	Needle cage 12x16x13		
20	0000 350 0537	1	Filler cap	21	8.2012
21	9645 948 2470	1	O-ring 23x3		
	1119 007 1050	1	Set of gaskets	12, 13, 16	
	1119 007 1051	1	Set of gaskets available in Brazil only	16	

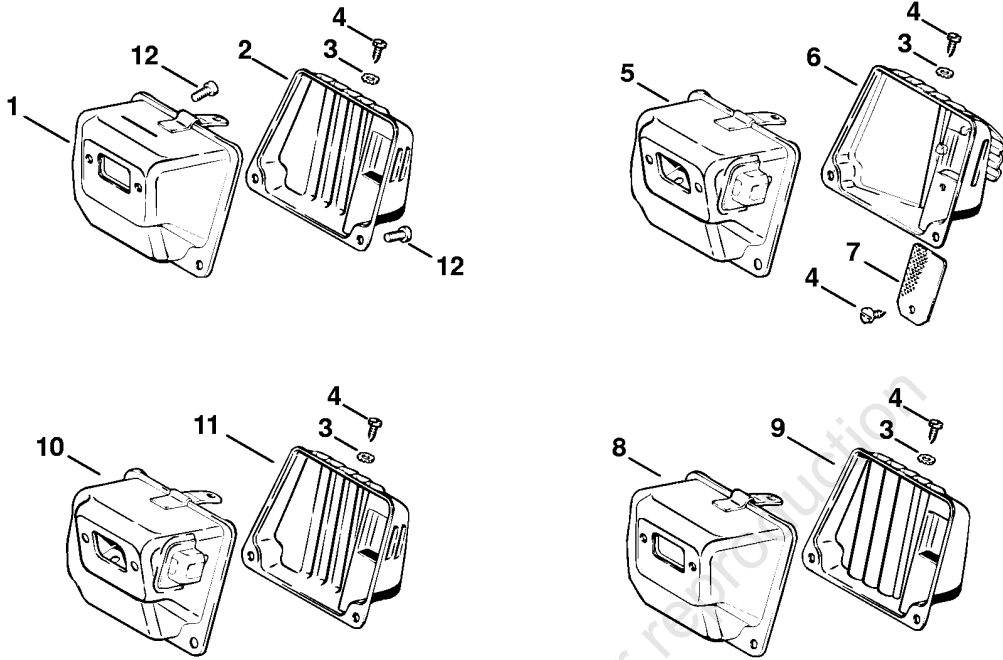


online version, not for reproduction

1119-GET-0013-A0

Cylinder

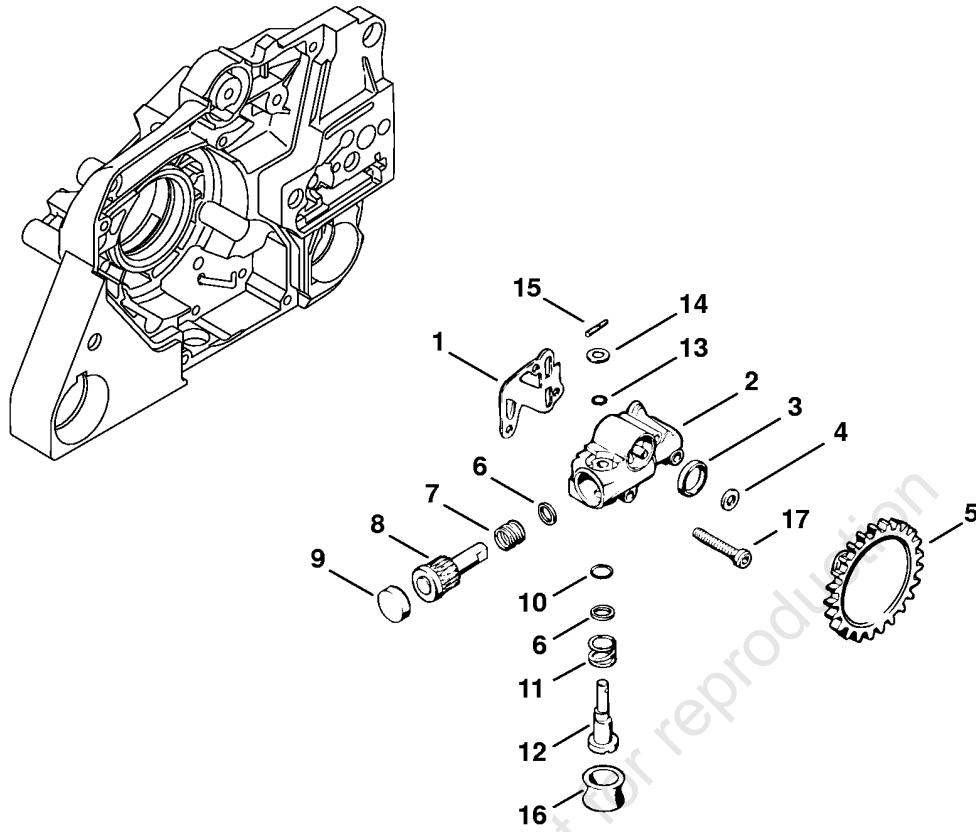
Reference	Item number	Qty	Description	Contains
1	1119 020 1202	1	Cylinder with piston Ø 52 mm	2 - 5
2	1119 030 2003	1	Piston Ø 52 mm	3 - 5
3	1115 034 3010	2	Piston ring Ø 52x1.5 mm	
4	1122 034 1500	1	Piston pin 12x8x33	
5	9463 650 1200	2	Snap ring 12x1	
6	1119 029 2302	1	Cylinder gasket	
7	1119 029 2303	1	Cylinder gasket 1 mm low compression	
8	9022 341 1010	4	Spline screw IS-M5x18	
9	0000 400 7000	1	Spark plug NGK BPMR7A	
10	1110 400 7005	1	Spark plug Bosch WSR 6 F	
11	1125 149 0601	1	Muffler gasket	
12	1119 140 2500	1	Manifold	13
13	9771 021 2578	1	Hose clip Ø 34x5	
14	1119 141 1800	1	Sleeve	
15	1119 007 1050	1	Set of gaskets	6, 11
16	1119 007 1051	1	Set of gaskets available in Brazil only	6, 11



215ET002 TG

Muffler

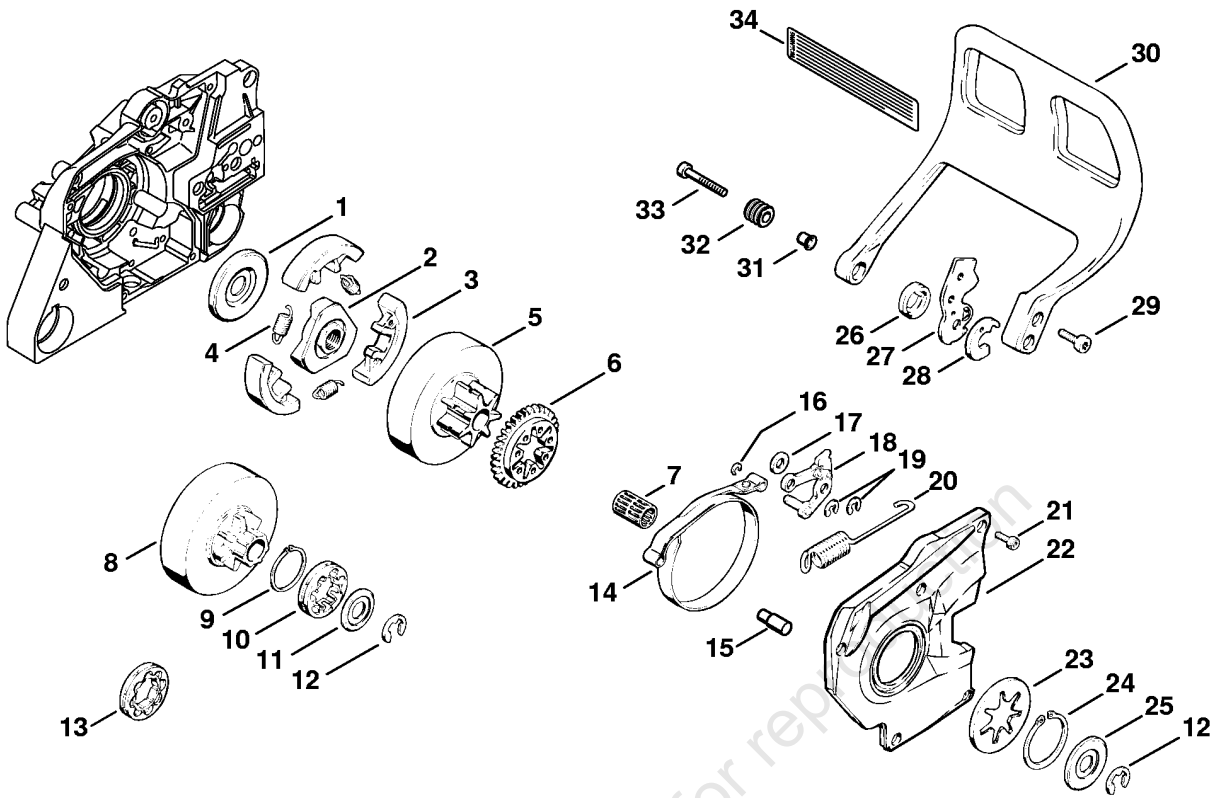
Reference	Item number	Qty	Description	Contains
	1119 007 1005	1	Muffler kit Standard	1 - 4
1	1119 145 0701	1	Inlet casing Standard	
2	1119 145 0800	1	Exhaust casing Standard	
3	9330 630 0100	1	Shake-proof washer 4.3	
4	9099 021 0810	1	Self-tapping screw 4.2x9.5	
	1119 007 1027	1	Muffler kit AUS, CDN	3 - 7
5	1119 140 0901	1	Inlet casing AUS, CDN	
6	1119 140 0802	1	Exhaust casing AUS, CDN	4, 7
7	1110 141 9000	1	Screen AUS, CDN	
8	1119 140 0601	1	Muffler (B) available in Brazil only	9
9	1119 145 0801	1	Exhaust casing (B) available in Brazil only	
	1119 007 1030	1	Muffler kit available in Brazil only	3, 4, 10, 11
10	1119 145 0703	1	Inlet casing available in Brazil only	
11	1119 145 0802	1	Exhaust casing available in Brazil only	
12	9022 341 1010	4	Spline screw IS-M5x18	



215ET012 TG

Oil pump

Reference	Item number	Qty	Description	Contains
1	1117 649 1100	1	Gasket	
	1119 640 3200	1	Oil pump	2 - 15
2	1117 640 3001	1	Pump housing	3
3	9643 950 1160	1	Sealing ring 12x16x3	
4	0000 958 0406	1	Washer	
5	1119 640 7100	1	Worm	
6	0000 958 0701	2	Washer	
7	0000 997 1010	1	Compression spring	
8	1117 647 0601	1	Pump piston	
9	0000 988 6220	1	Plug	
10	9646 945 0490	1	O-ring 7x1.5	
11	0000 997 1200	1	Helical spring	
12	1117 647 4801	1	Control bolt	
13	9646 945 0230	1	O-ring 5x1.25	
14	9486 648 0100	1	Cup spring 10	
15	1117 647 9800	1	Pin	
16	0000 989 0401	1	Rubber ring	
17	9022 313 0740	3	Spline screw IS-M4x25	
	1119 007 1050	1	Set of gaskets	1
	1119 007 1051	1	Set of gaskets available in Brazil only	1

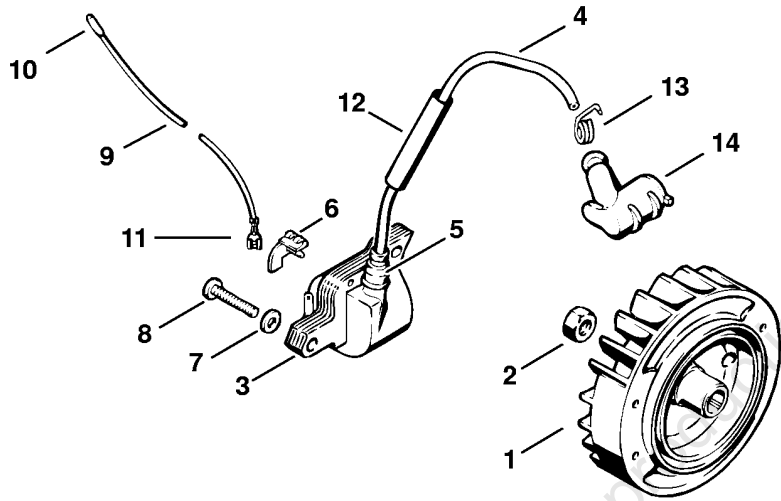


online version, not for reproduction

215ET019 SC

Clutch

Reference	Item number	Qty	Description	Contains
1	1119 162 8915	1	Washer	
	1119 160 2002	1	Clutch	2 - 4
2		1	Carrier (D)	
3	1119 162 0802	3	Clutch shoe	
4	0000 997 0907	3	Tension spring	
5	1119 640 2000	1	Chain sprocket 3/8" 7T	
6	1119 642 1501	1	Spur gear	
7	9512 933 3150	1	Needle cage 12x16x24	
	1119 007 1003	1	Rim sprocket kit 3/8" 7T	8 - 12
8		1	Clutch drum (D)	
9	9455 621 2790	1	Circlip 25x1.2	
10	0000 642 1223	1	Rim sprocket 3/8" 7T	
11	0000 958 1231	1	Washer	
12	9460 624 1001	1	E-clip 10x1.5	
	1119 007 1021	1	Rim sprocket kit 3/8" 8T (B)	8, 9, 11 - 13
13	0000 642 1216	1	Rim sprocket 3/8" 8T (B)	
14	1119 160 5401	1	Brake band	
15	1119 162 5205	1	Pin	
16	9468 621 0330	1	Circlip 6x0.7	
17	0000 958 0704	1	Washer	
18	1118 160 5002	1	Lever	
19	9460 624 0500	2	E-clip 5	
20	1119 162 7900	1	Tension spring	
21	9022 313 0660	5	Spline screw IS-M4x12	
22	1119 021 1102	1	Cover	
23	1119 642 7800	1	Washer	
24	9455 621 4010	1	Circlip 36x1.2	
25	0000 958 1232	1	Washer	
26	0000 998 1801	1	Torsion spring	
27	1117 162 5020	1	Lever	
28	1117 162 8906	1	Sealing washer	
29	9022 341 0980	2	Spline screw IS-M5x16	
30	1117 790 9100	1	Hand guard	
31	1124 792 5500	1	Bushing	
32	1124 792 5505	1	Bushing	
33	9022 341 1080	1	Spline screw IS-M5x35	
34	0000 967 3612	1	Instruction label USA	



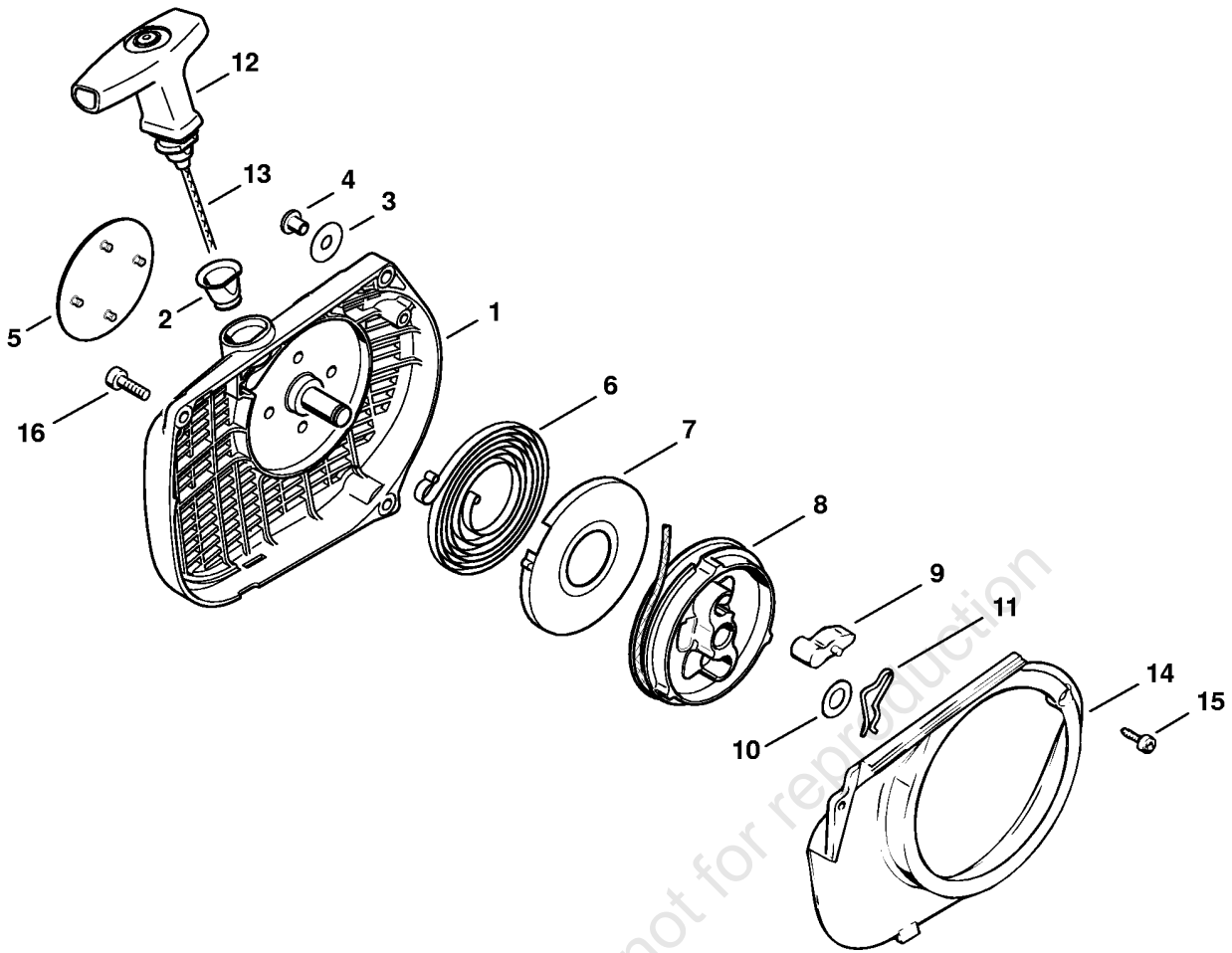
online version, not for reproduction

215ET004 TG

Ignition system

Reference	Item number	Qty	Description	Contains	Technical Information
1	1119 400 1206	1	Flywheel		25.2005
2	0000 955 0802	1	Collar nut M8x1		
3	0000 400 1300	1	Ignition module	4 - 6	
4		1	Ignition lead 150 mm		
	0000 405 0600	1	Ignition lead 1 m (A,B)		
	0000 930 2251	1	Ignition lead 10 m (A,B)		
5	0000 989 1010	1	Grommet		
6	0000 448 1250	1	Lead retainer		
7	9294 021 0120	2	Washer 5.3		
8	9022 371 1050	2	Spline screw IS-M5x25		
9	1118 440 1100	1	Short circuit wire 330 mm / 13"	10, 11	
10	1110 442 7000	1	Contact sleeve (C)		
11	0751 030 8957	1	Terminal socket 4.8-1/0.8 (C)		
	0751 010 1110	1	Cable 10 m (A,B)		
12	1119 405 8005	1	Hose		
13	0000 998 0604	1	Spark plug contact spring		
14	1128 405 1000	1	Spark plug boot		

Rewind starter

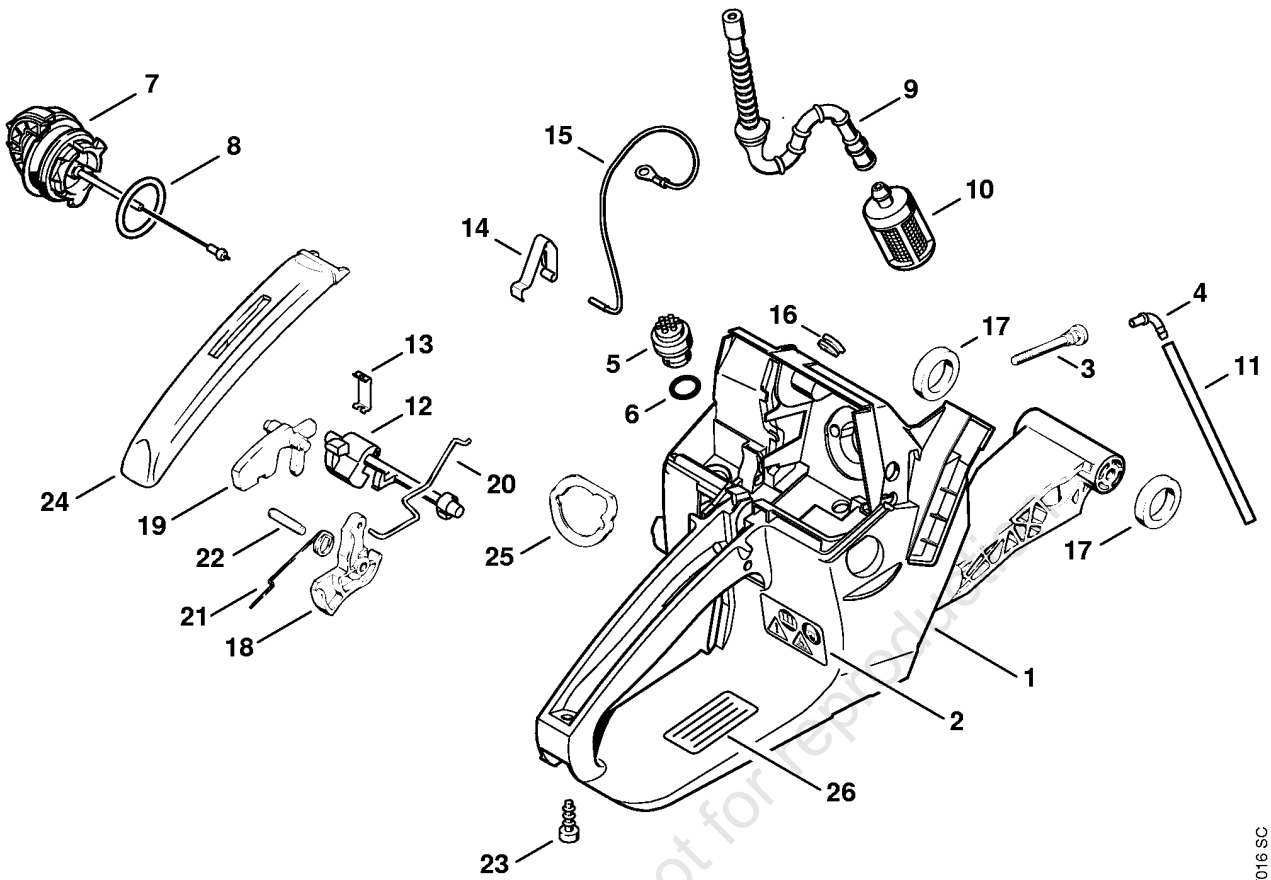


215ET005 TG

Rewind starter

Reference	Item number	Qty	Description	Contains
	1119 080 2102	1	Fan housing with rewind starter	1 - 15
1	1119 080 1806	1	Fan housing	2 - 5
2	1110 084 9102	1	Bushing	
3	0000 958 0607	1	Washer	
4	9416 868 6530	1	Hollow rivet 6.5x0.5x6.8	
5	1119 967 1513	1	Model plate MS 380	
6	1117 190 0601	1	Rewind spring	7
7	1117 195 0301	1	Spring housing	
8	1117 007 1014	1	Rope rotor kit	9
9	1124 195 7200	1	Pawl	
10	1118 162 8935	1	Washer	
11	1117 195 3500	1	Spring	
12	1122 190 3400	1	Starter grip ElastoStart Ø 4,5 mm	13
13	1122 190 2900	1	Starter rope Ø 4.5 mm	
	0000 930 2268	1	Starter rope Ø 4.5mm / 28 pieces (B)	
14	1119 084 7800	1	Segment	
15	9022 313 0660	2	Spline screw IS-M4x12	
16	9022 341 1010	2	Spline screw IS-M5x18	

Tank housing

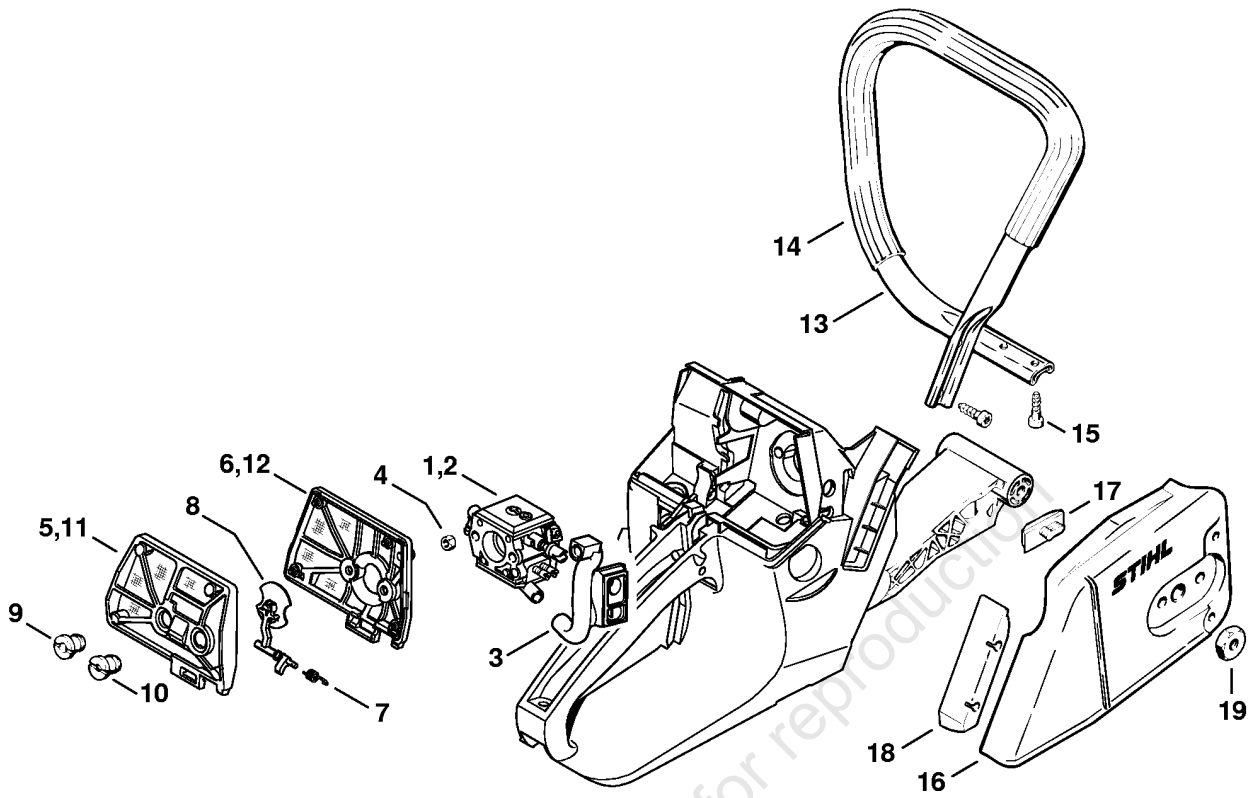


215ET016 SC

Tank housing

Reference	Item number	Qty	Description	Contains	Technical Information
	1119 350 0855	1	Tank housing	1 - 24	8.2012
1	1119 350 0825	1	Tank housing	2 - 9, 11	8.2012
2	0000 967 3662	1	Warning pictogram MS		
3	1125 122 6600	2	Collar screw		
4	1119 122 3900	1	Elbow connector		
5	0000 350 5800	1	Tank vent	6	
6		1	O-ring (D)		
7	0000 350 0533	1	Filler cap	8	8.2012
8	9645 948 7734	1	O-ring 25x3.5		
9	1119 358 7701	1	Hose		
10	0000 350 3518	1	Pickup body		
11		1	Hose 3.1x5.7x102 mm, R3 (D)		
	0000 930 2803	1	Hose 3.1x5.7 mm x 1 m, R3 (A,B)		
	0712 923 8004	1	Hose 3.1x5.7 mm x 10 m, R3 (A,B)		
12	1118 182 0900	1	Switch shaft		
13	1119 182 2100	1	Support		
14	1119 442 1600	1	Contact spring		
15	1119 440 2200	1	Ground wire 205 mm / 8 1/16"		
16	0000 989 0808	1	Grommet		
17	1119 791 8400	2	Ring		
18	1118 182 1006	1	Throttle trigger		
19	1117 182 0805	1	Lockout lever		
20	1119 182 1501	1	Throttle rod		
21	1117 182 4500	1	Torsion spring		
22	9371 470 2640	1	Cylindrical pin 5x24		
23	9074 478 3076	1	Pan head self-tapping screw IS-P4x19		
24	1118 791 0602	1	Handle molding		
25	1119 121 8600	1	Washer		
26		1	Instruction label (C) BR		

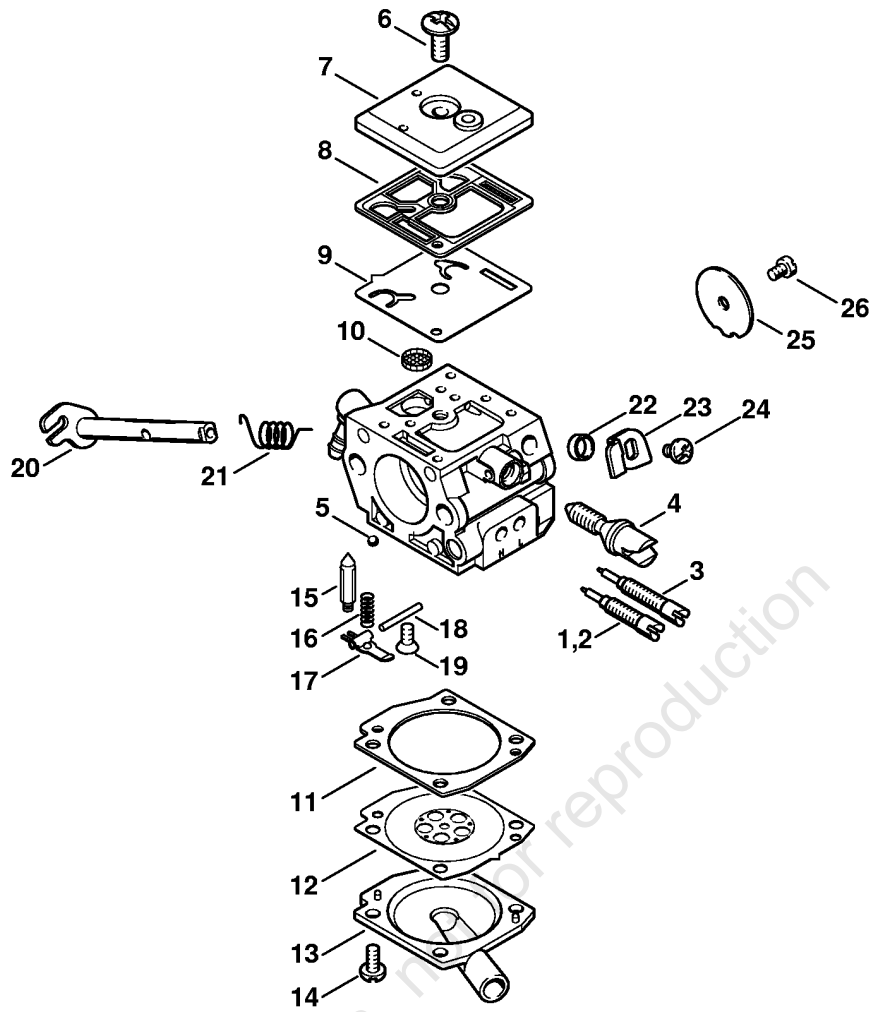
Air filter, Handlebar



215ET020 SC

Air filter, Handlebar

Reference	Item number	Qty	Description	Contains
1	1119 120 0605	1	Carburetor C3-S148A	
2	1119 120 0606	1	Carburetor C3-S149A available in Brazil only	
3	1119 123 7502	1	Grommet	
4	9210 260 0700	2	Hexagon nut M5	
	1119 120 1604	1	Air filter, wire mesh	5 - 10
5	1119 120 1607	1	Air filter, wire mesh	
6	1119 120 1608	1	Air filter, wire mesh	
7	1119 124 3000	1	Torsion spring	
8	1119 120 2900	1	Choke shutter	
9	1113 140 9510	1	Slotted nut	
10	1125 141 8300	1	Slotted nut	
	1119 120 1621	1	Air filter, fleece	7 - 12
11	1119 120 1617	1	Air filter, fleece	
12	1119 120 1618	1	Air filter, fleece	
13	1119 790 1700	1	Handlebar	14
14		1	Handle hose 450 mm / 17 3/4" (D)	
	0000 791 2009	1	Handle hose Ø 19 mm x 5 m / 3/4x197" (A,B)	
15	9074 478 4435	4	Pan head self-tapping screw IS-P6x19	
16	1125 640 1701	1	Chain sprocket cover	17, 18
17	1121 648 6610	1	Bumper strip	
18	1125 656 1501	1	Guard	
19	0000 955 0801	2	Hexagon nut M8	

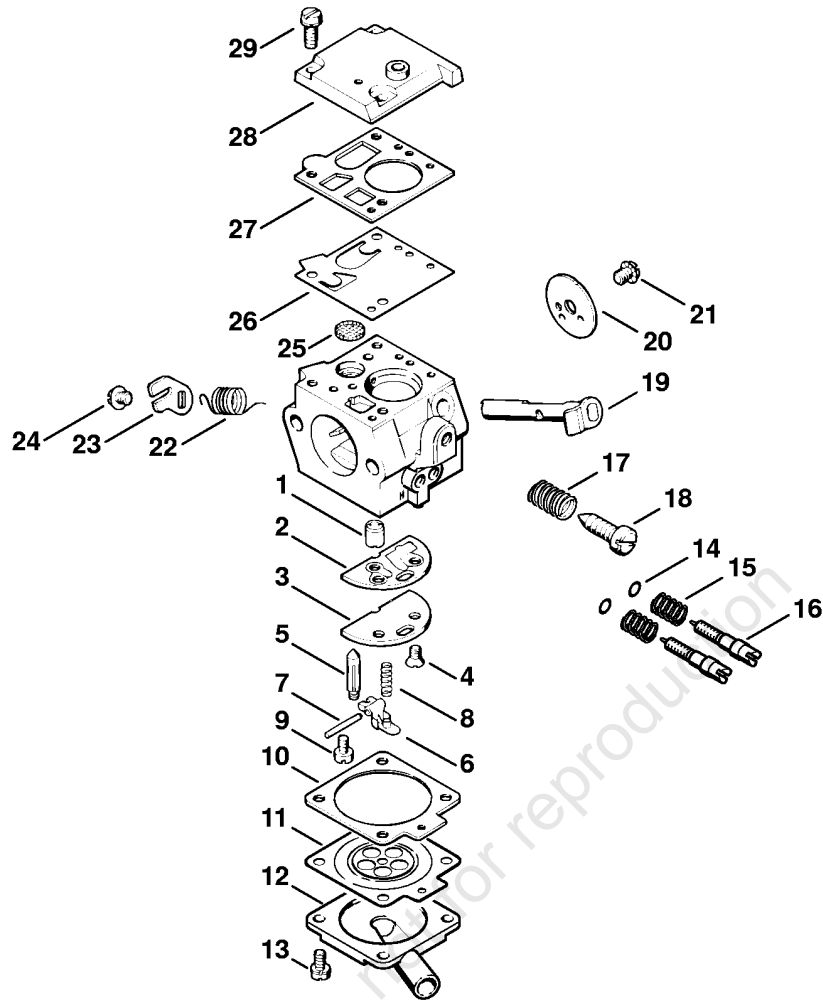


538ET011 SC

Carburetor C3-S148, C3-S149

Reference	Item number	Qty	Description	Contains
	1119 120 0605	1	Carburetor C3-S148A	1, 3 - 26
	1119 120 0606	1	Carburetor C3-S149A available in Brazil only	2 - 26
1	1119 122 6700	1	High speed screw	
2	1119 122 6701	1	High speed screw available in Brazil only	
3	1119 122 6800	1	Low speed screw	
4	1139 122 6200	1	Idle speed screw	
5	1125 122 4200	1	Clamp	
6	1120 122 7800	1	Oval head screw	
7	1125 121 0802	1	End cover	
8	1125 129 0900	1	Gasket	
9	1128 121 4802	1	Pump diaphragm	
10	1123 121 7800	1	Strainer	
11	1125 129 0901	1	Gasket	
12	1119 121 4702	1	Metering diaphragm	
13	1119 121 0804	1	End cover	
14	1120 122 6601	4	Collar screw	
15	4126 121 5170	1	Inlet needle	
16	1129 122 3001	1	Spring	
17	1119 121 5002	1	Inlet control lever	
18	1120 121 9200	1	Spindle	
19	1120 122 6600	1	Collar screw	
20	1119 120 7103	1	Throttle shaft with lever	
21	1119 122 3202	1	Torsion spring	
22	1119 122 5000	1	Spacer sleeve	
23	1119 121 3500	1	Throttle lever	
24	9079 319 0280	1	Flat head screw M3x3.5	
25	1119 121 3302	1	Throttle shutter	
26	1125 122 7402	1	Round head screw	
	1119 007 1032	1	Set of carburetor parts	8 - 12, 15, 16
	1119 007 1031	1	Set of carburetor parts	8, 9, 11, 12

Carburetor Bing 48A101 (50.2008)

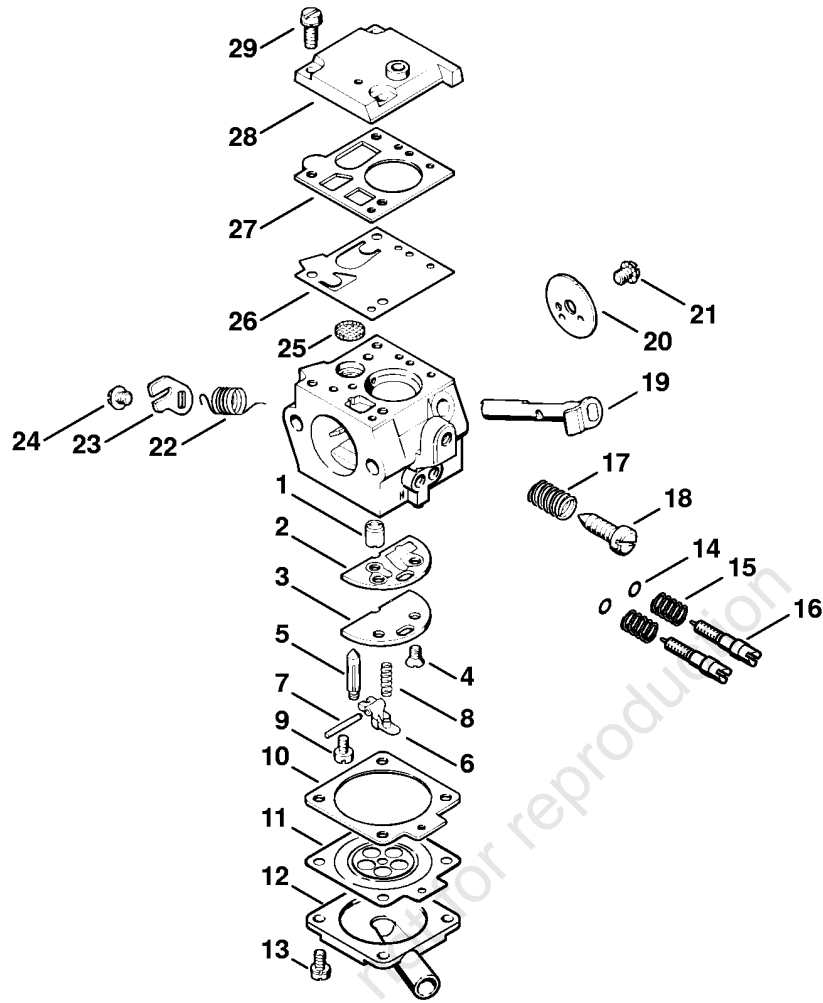


215ET009 TG

Carburetor Bing 48A101 (50.2008)

Reference	Item number	Qty	Description	Contains
	* 1119 120 0650	1	Carburetor Bing 48A101C (C)	1 - 29
1	* 1119 121 5402	1	Valve jet	
2	* 1119 129 0900	1	Gasket	
3	* 1119 121 7401	1	Plate	
4	* 1119 122 7900	2	Countersunk screw	
5	* 1110 121 5100	1	Inlet needle	
6	* 1119 121 5001	1	Inlet control lever	
7	* 1119 121 9200	1	Spindle	
8	* 1119 122 3001	1	Spring	
9	* 1119 122 7101	1	Screw	
10	* 1119 129 0905	1	Gasket	
11	* 1119 121 4701	1	Metering diaphragm	
12	* 1119 121 0803	1	End cover	
13	* 1119 122 7200	4	Pan head screw	
14	* 1119 122 3600	2	Sealing ring	
15	* 1119 122 3004	2	Spring	
16	* 1119 122 6602	2	Adjusting screw	
17	* 1119 122 3003	1	Spring	
18	* 1119 122 6201	1	Idle speed screw	
19	* 1119 120 7102	1	Throttle shaft with lever	
20	* 1119 121 3301	1	Throttle shutter	
21	* 1119 122 7102	1	Screw	
22	* 1119 122 3201	1	Torsion spring	
23	* 1119 121 2801	1	Strap	
24	* 1119 122 7210	1	Pan head screw	
25	* 1119 121 7801	1	Strainer	
26	* 1119 121 4801	1	Pump diaphragm	
27	* 1119 129 0910	1	Gasket	
28	* 1119 121 0802	1	End cover	
29	* 1119 122 7205	3	Pan head screw	
	* 1119 007 1062	1	Set of carburetor parts	2, 10, 11, 26, 27
	* 1119 007 1066	1	Set of carburetor parts	2, 5, 6, 8, 10, 11, 25 - 27

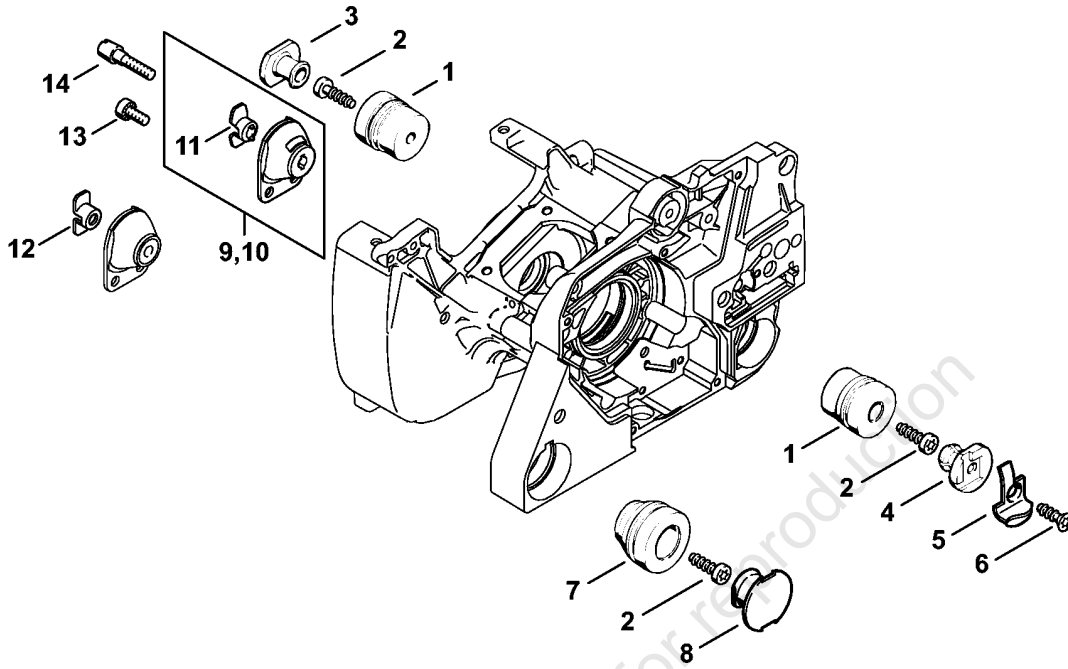
Carburetor Bing 48A125 (50.2008)



215ET009 TG

Carburetor Bing 48A125 (50.2008)

Reference	Item number	Qty	Description	Contains
	* 1119 120 0651	1	Carburetor Bing 48A125A (C) available in Brazil only	1 - 29
1	* 1119 121 5402	1	Valve jet	
2	* 1119 129 0900	1	Gasket	
3	* 1119 121 7402	1	Plate available in Brazil only	
4	* 1119 122 7900	2	Countersunk screw	
5	* 1110 121 5100	1	Inlet needle	
6	* 1119 121 5001	1	Inlet control lever	
7	* 1119 121 9200	1	Spindle	
8	* 1119 122 3001	1	Spring	
9	* 1119 122 7101	1	Screw	
10	* 1119 129 0905	1	Gasket	
11	* 1119 121 4701	1	Metering diaphragm	
12	* 1119 121 0803	1	End cover	
13	* 1119 122 7200	4	Pan head screw	
14	* 1119 122 3600	2	Sealing ring	
15	* 1119 122 3004	2	Spring	
16	* 1119 122 6602	2	Adjusting screw	
17	* 1119 122 3003	1	Spring	
18	* 1119 122 6201	1	Idle speed screw	
19	* 1119 120 7102	1	Throttle shaft with lever	
20	* 1119 121 3301	1	Throttle shutter	
21	* 1119 122 7102	1	Screw	
22	* 1119 122 3201	1	Torsion spring	
23	* 1119 121 2801	1	Strap	
24	* 1119 122 7210	1	Pan head screw	
25	* 1119 121 7801	1	Strainer	
26	* 1119 121 4801	1	Pump diaphragm	
27	* 1119 129 0910	1	Gasket	
28	* 1119 121 0802	1	End cover	
29	* 1119 122 7205	3	Pan head screw	
	* 1119 007 1062	1	Set of carburetor parts	2, 10, 11, 26, 27
	* 1119 007 1066	1	Set of carburetor parts	2, 5, 6, 8, 10, 11, 25 - 27

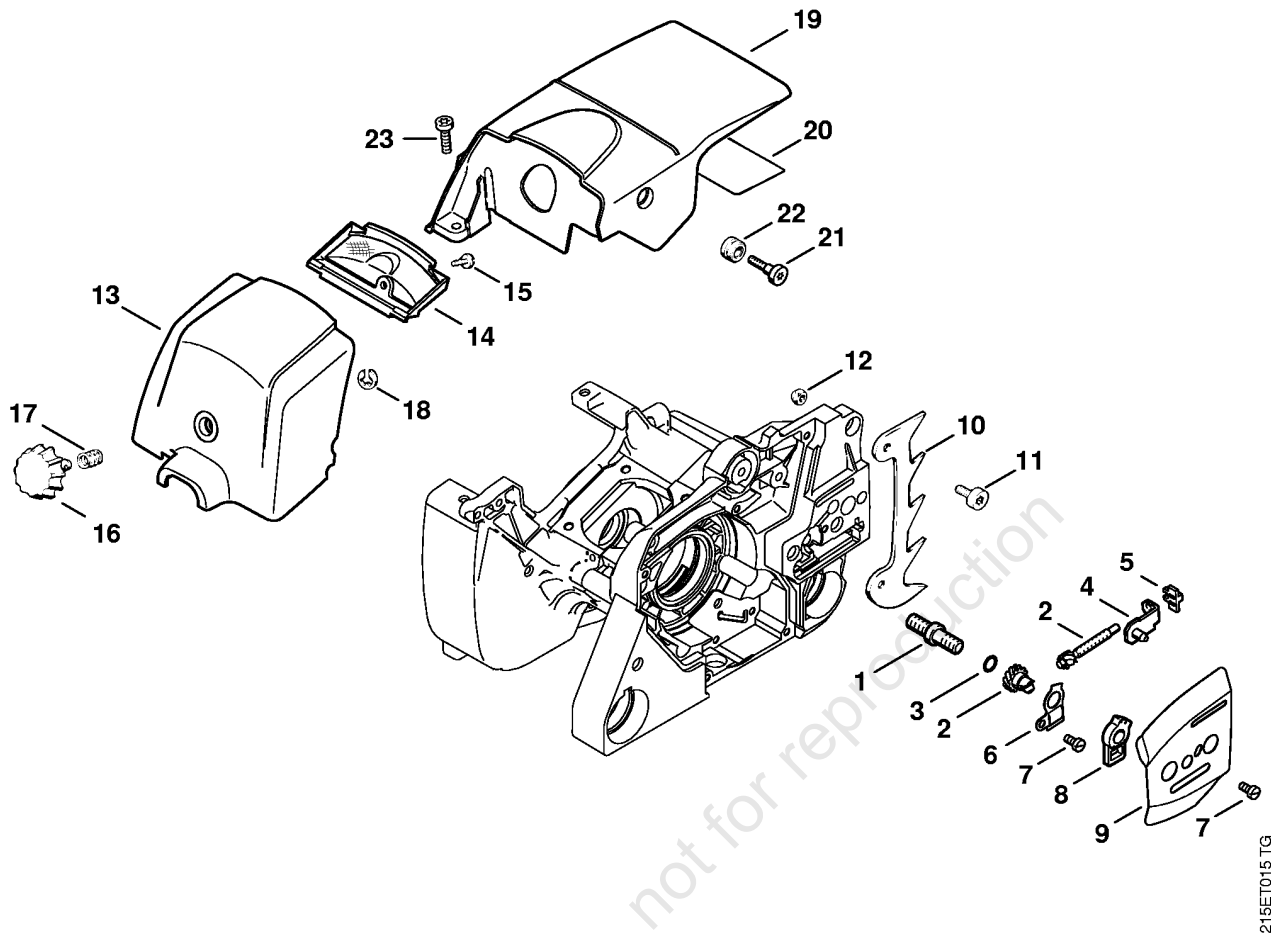


1119-GET-0031-A0

AV system

Reference	Item number	Qty	Description	Contains	Technical Information
1	1121 790 9912	2	Annular buffer		
2	9074 478 4435	3	Pan head self-tapping screw IS-P6x19		
3	1119 791 7306	1	Plug		
4	1119 791 7305	1	Plug		
5	1125 650 7700	1	Chain catcher	6	
6	9104 003 3065	1	Self-tapping screw P6.3x18		
7	1121 790 9909	1	Annular buffer		
8	1125 791 7306	1	Plug		
9	1119 790 9906	1	Annular buffer (1)	11	
10	1119 790 9907	1	Annular buffer PRC (1)	11	
11	1119 791 1200	1	Retainer		
12	* 1121 791 1200	1	Retainer		63.2017
13	9022 341 0960	2	Spline screw IS-M5x12		
14	1121 791 6105	1	Pan head screw		

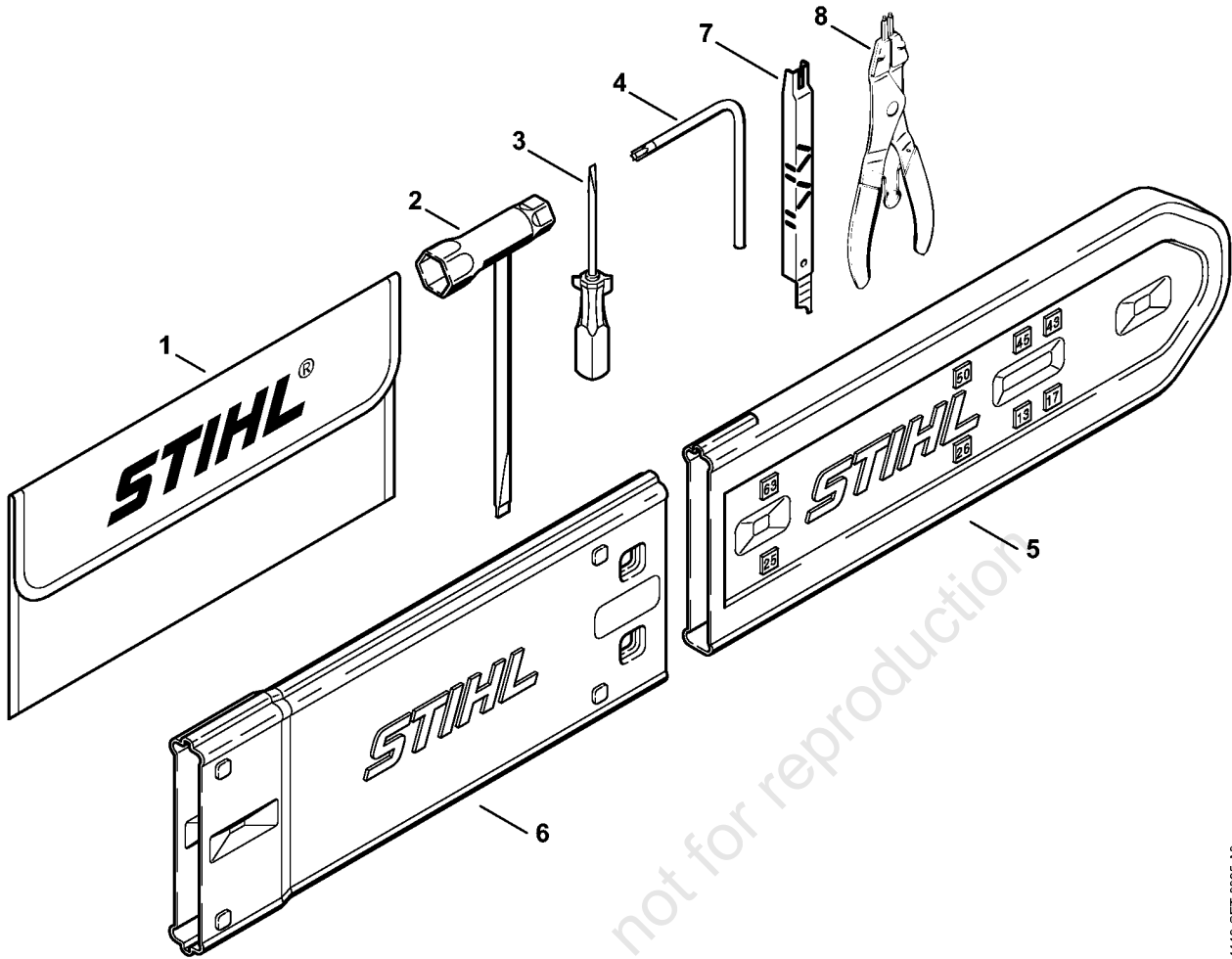
Chain tensioner, Carburetor box cover



215ET015.TG

Chain tensioner, Carburetor box cover

Reference	Item number	Qty	Description	Contains
1	0000 953 6605	2	Collar screw M8	
2	1125 007 1021	1	Spur gear / chain adjusting screw kit	3
3	9646 945 0490	1	O-ring 7x1.5	
4	1125 640 1900	1	Tensioner slide	
5	1125 664 1400	1	Thrust pad	
6	1122 664 2200	1	Cover plate	
7	9041 216 0630	2	Pan head screw M4x8	
8	1122 664 4500	1	Support	
9	1119 664 1000	1	Inner side plate	
10	1128 664 0500	1	Bumper spike	
11	9022 341 0960	2	Spline screw IS-M5x12	
12	9214 320 0700	1	Lock nut M5	
13	1119 140 1906	1	Carburetor box cover	14 - 18
14	1119 120 1501	1	Prefilter	
15	9074 478 3076	1	Pan head self-tapping screw IS-P4x19	
16	1113 140 9200	1	Twist lock	
17	0000 997 0927	1	Compression spring	
18	9460 624 0500	1	E-clip 5	
19	1119 080 1602	1	Shroud	20
20	1119 084 8300	1	Reflector foil	
21	1124 084 8700	1	Collar screw	
22	1124 084 8900	1	Ring	
23	9022 341 1010	2	Spline screw IS-M5x18	



1119-GET-0025-A0

Tools, Extras

Reference	Item number	Qty	Description	Contains
	1121 890 1400	1	Tool kit	1 - 4
1	0000 891 0810	1	Tool roll	
2	1129 890 3401	1	Combination wrench	
3	0000 890 2300	1	Screwdriver	
4	0812 370 1000	1	Screwdriver T27x120x70	
5	0000 792 9129	1	Chain scabbard	
6	0000 792 9132	1	Chain scabbard extension up to 63 cm (B,C)	
7	1110 893 4000	1	Filing gauge (B)	
8		1	Circlip pliers (C)	

online version, not for reproduction