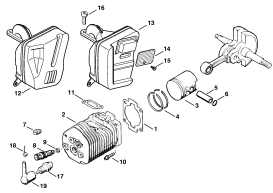
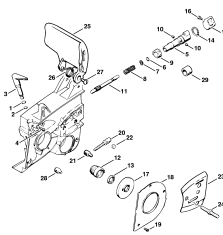


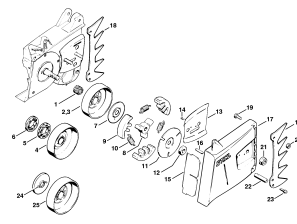
Crankcase



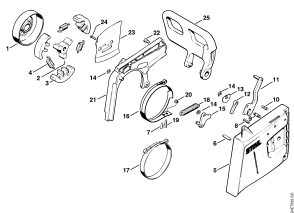
Cylinder, Muffler



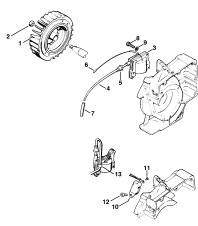
Oil pump



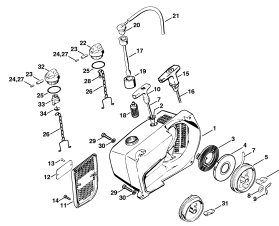
Clutch, Chain sprocket cover



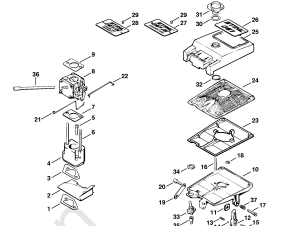
Chain brake, Chain sprocket cover



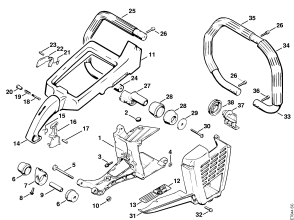
Ignition system



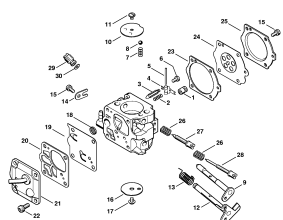
Rewind starter



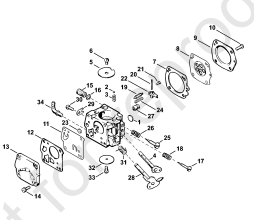
Filter housing, Air filter



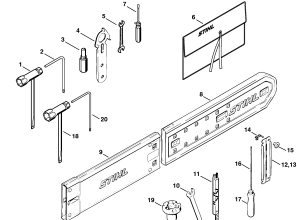
Shroud, Handle frame



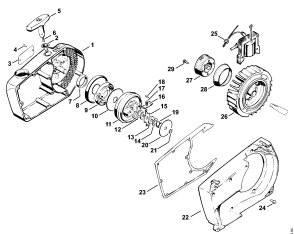
Carburetor WJ-112



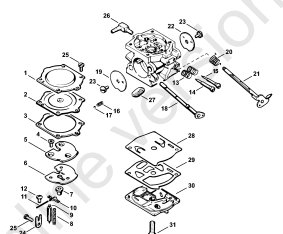
Carburetor HS-60



Tools, Extras



Rewind starter friction shoe → X 6 745 960 (30.80)



Carburetor WS-11 → X 7 538 159 (44.80)

Description

Crankcase

Cylinder, Muffler

Oil pump

Clutch, Chain sprocket cover

Chain brake, Chain sprocket cover

Ignition system

Rewind starter

Filter housing, Air filter

Shroud, Handle frame

Carburetor WJ-112

Carburetor HS-60

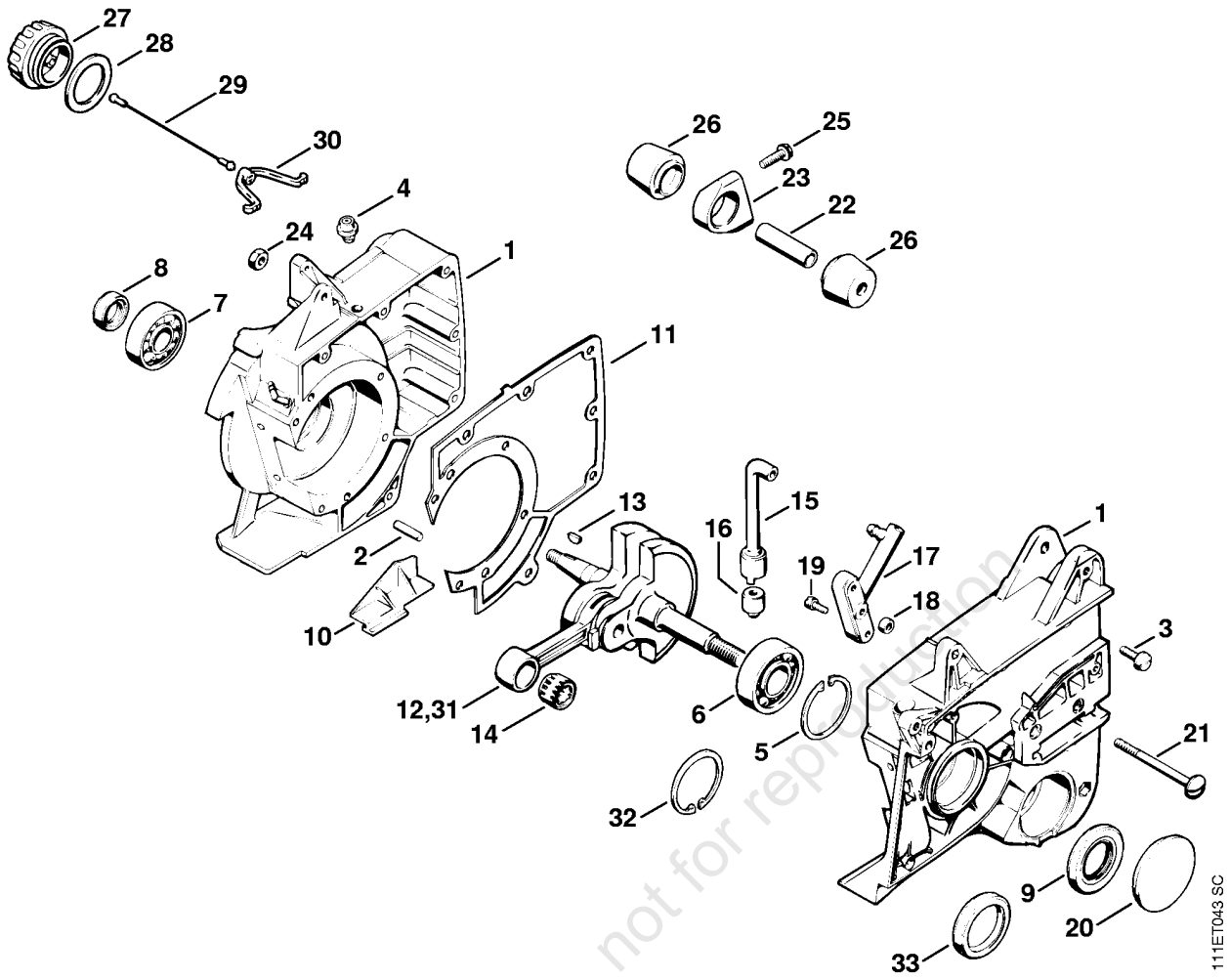
Tools, Extras

Rewind starter friction shoe → X 6 745 960 (30.80)

Carburetor WS-11 → X 7 538 159 (44.80)

online version, not for reproduction

Crankcase



111ET043 SC

(1) 051, (2) 051 Q, (3) 051 QR

Crankcase

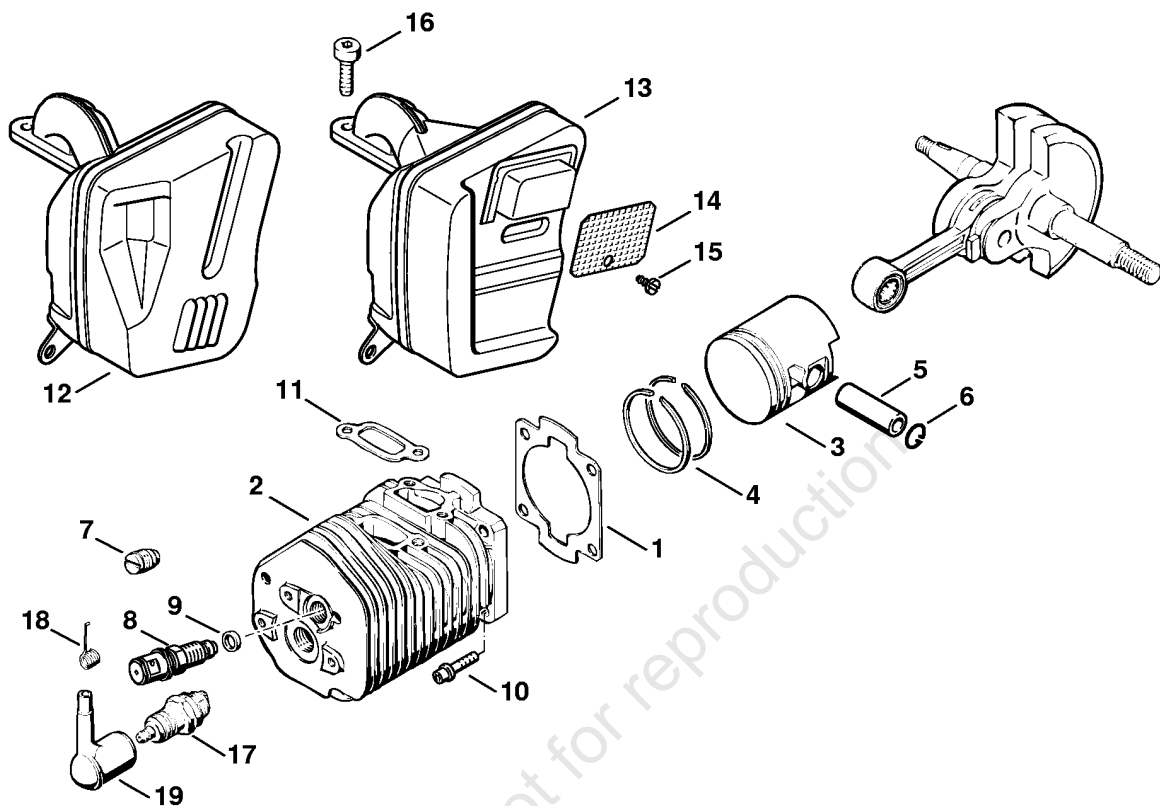
Reference	Item number	Qty	Description	Contains	Up to	Technical Information
1	1111 020 2102	1	Crankcase	2 - 7		
2	9371 470 3120	2	Cylindrical pin 6x20			
3	9022 341 1010	10	Spline screw IS-M5x18			
4	1128 640 9100	1	Valve			
5	9456 621 4910	1	Circlip 47x1.75			
6	9503 003 0543	1	Grooved ball bearing 6204			
7	9503 003 0443	1	Grooved ball bearing 6203			
8	9640 003 1570	1	Oil seal 15x24x7			
9	9629 003 2900	1	Oil seal 25x47x7			
10	1111 084 6600	1	Insert			
11	1111 029 0501	1	Gasket			
12	1111 030 0402	1	Crankshaft	13		25.2005
13	1120 036 8500	1	Woodruff key 2x3.7			
14	9512 003 3440	1	Needle cage 13 x17x17.5			
15	1110 647 9400	1	Hose			
16	1106 640 3801	1	Pickup body			
17	1111 640 9200	1	Elbow connector			
18	1108 649 5000	1	Sealing ring 5x8.3x4.3			
19	9022 313 0660	2	Spline screw IS-M4x12			
20	1111 648 7700	1	Cover (1,2)			
21	9027 068 1540	1	Flat head screw M6x72			
22	1111 791 2700	1	Tube			
23	1111 791 5400	1	Support			
24	9214 320 0900	1	Lock nut M6			
25	9022 341 1010	2	Spline screw IS-M5x18			
26	1111 790 9900	2	Annular buffer			
27	0000 350 0520	1	Filler cap	28 - 30		
28	0000 359 1220	1	Sealing ring			
29	0000 350 0900	1	Rope			
30	0000 353 0600	1	Hook			
	1111 007 1050	1	Set of gaskets	8, 9, 11		
	1111 007 1052	1	Set of gaskets available in Brazil	11		

(1) 051, (2) 051 Q, (3) 051 QR

Crankcase

Reference	Item number	Qty	Description	Contains	Up to	Technical Information
			only			
31	* 1111 030 0401	1	Crankshaft		9422349	25.2005
32	* 9456 621 4330	1	Circlip 40x1.75		9422349	
33	* 9629 003 3400	1	Oil seal 30x42x7		9422349	

online version, not for reproduction

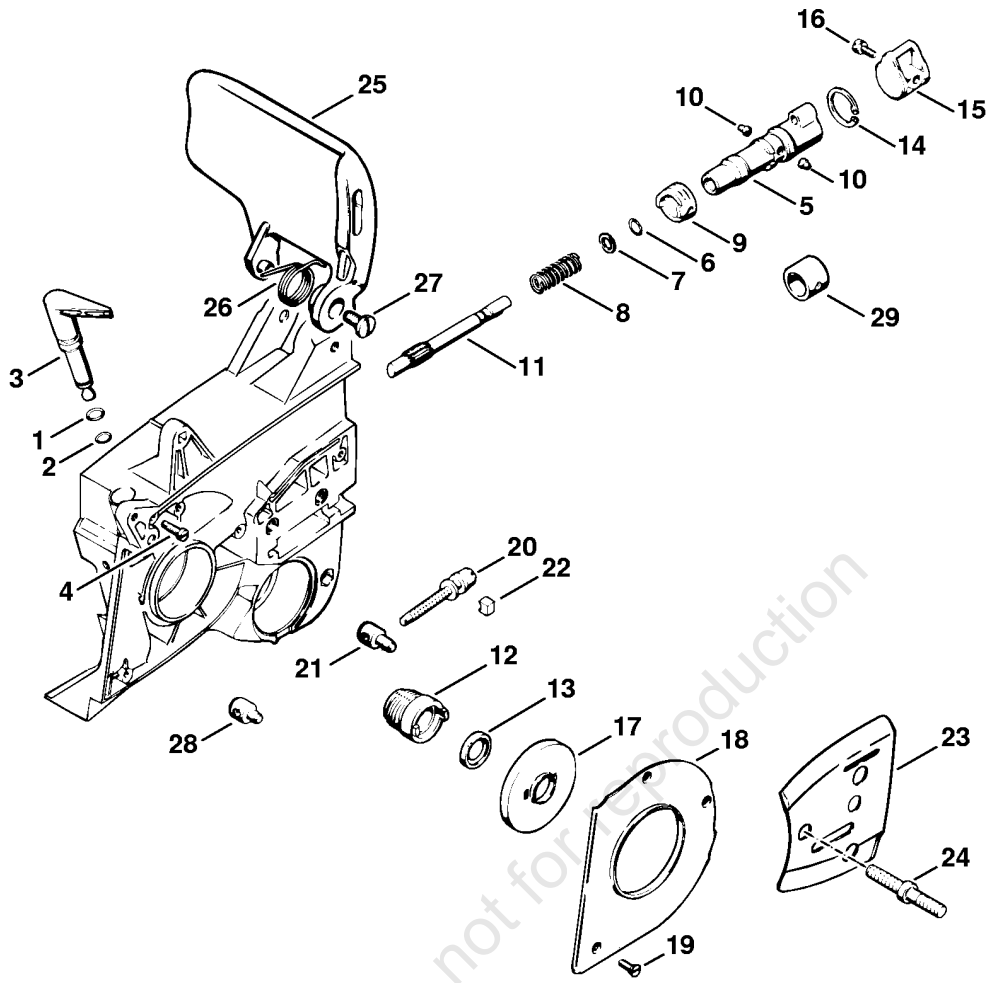


online version, not for reproduction

111ET032 SC

Cylinder, Muffler

Reference	Item number	Qty	Description	Contains
1	1111 029 2300	1	Cylinder gasket	
2	1111 020 1200	1	Cylinder with piston Ø 52 mm	3 - 7
3	1111 030 2000	1	Piston Ø 52 mm	4 - 6
4	1115 034 3010	2	Piston ring Ø 52x1.5 mm	
5	1111 034 1501	1	Piston pin 13x8x39	
6	9462 650 1300	2	Snap ring 13	
7	1111 025 2200	1	Plug	
8	1111 020 9400	1	Decompression valve (B)	9
9	9636 003 0420	1	Sealing ring 6.5x9.5	
10	9036 371 1020	4	Socket head screw M5x20	
11	1111 149 0600	1	Muffler gasket	
12	1111 140 0613	1	Muffler	
	* 1111 140 0650	1	Muffler available in Brazil only	12
13	1111 140 0609	1	Muffler USA, AUS, CDN	14, 15
14	1111 141 9005	1	Screen	
15	9099 021 0810	1	Self-tapping screw 4.2x9.5	
16	9022 341 1010	2	Spline screw IS-M5x18	
17	1110 400 7005	1	Spark plug Bosch WSR 6 F	
17	0000 400 7000	1	Spark plug NGK BPMR7A	
18	0000 998 0603	1	Torsion spring	
19	1106 405 1000	1	Spark plug boot	
	1111 007 1050	1	Set of gaskets	1, 11
	1111 007 1052	1	Set of gaskets available in Brazil only	1, 11



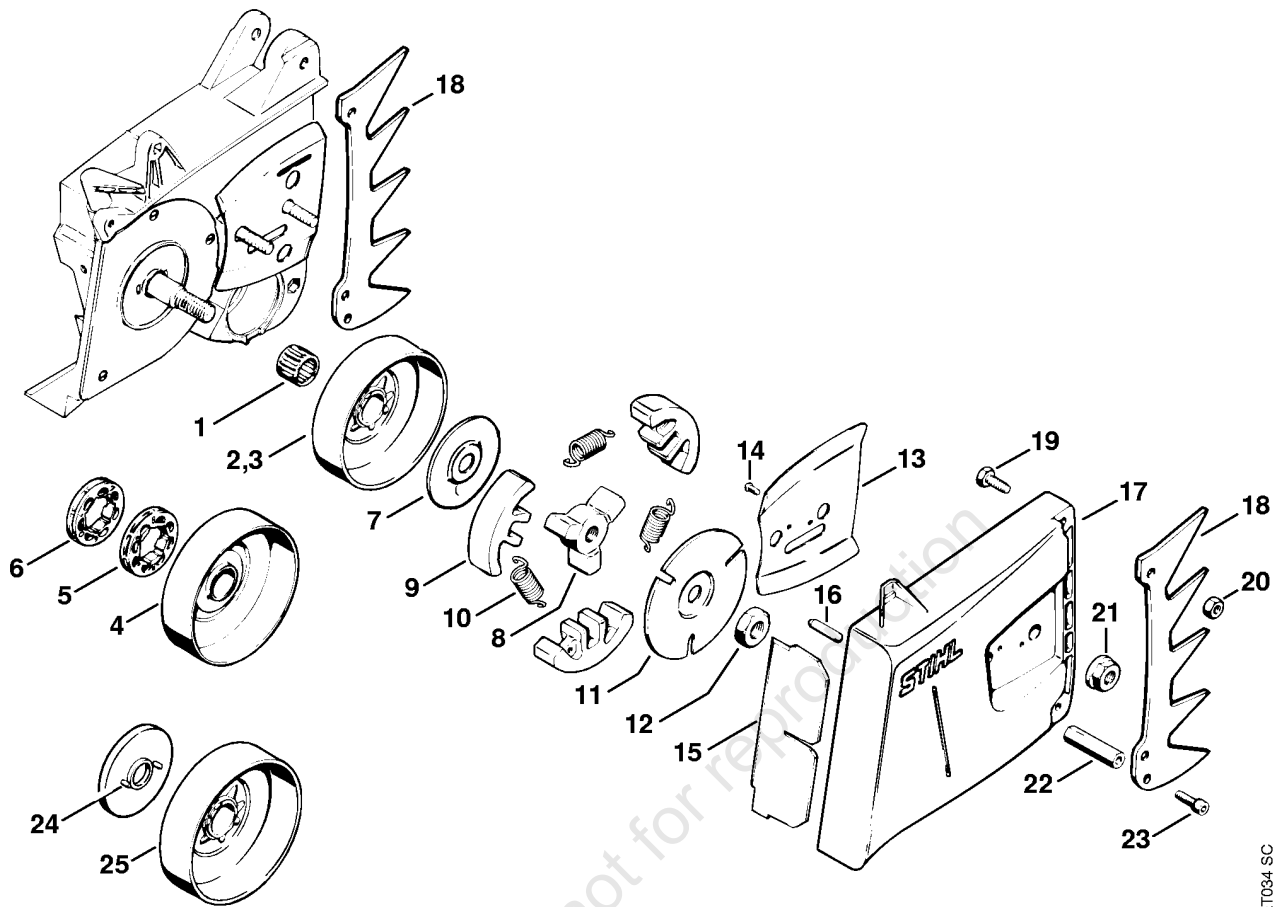
111ET033 SC

(1) 051, (2) 051 Q, (3) 051 QR

Oil pump

Reference	Item number	Qty	Description	Contains	Up to
1	9646 945 0780	1	O-ring 9x2.5		
2	9646 945 0490	1	O-ring 7x1.5		
3	1111 640 4200	1	Control knob		
4	9092 216 0670	1	Flat head screw M5x10		
	1111 640 3201	1	Oil pump	5 - 11	
5	1111 640 3001	1	Pump housing		
6	9646 945 0490	1	O-ring 7x1.5		
7	1111 647 7800	1	Washer		
8	0000 997 0928	1	Compression spring		
9	1111 647 9001	1	Rubber ring		
10	0000 963 0501	2	Bushing		
11	1111 647 0601	1	Pump piston		
12	1111 640 7111	1	Worm	13	
13	9642 003 1440	1	Oil seal 14x20x3.5		
14	9456 621 2440	1	Circlip 22x1		
15	1111 647 7000	1	Plug		
16	9022 313 0660	1	Spline screw IS-M4x12		
17	1111 036 9115	1	Cover washer		
18	1111 021 1606	1	Cover plate		
19	9062 319 0650	3	Countersunk screw M4x10		
20	0000 951 2911	1	Adjusting screw M6		
21	1106 664 1501	1	Tensioning nut		
22	1107 021 9000	1	Clamp		
23	1111 664 1000	1	Inner side plate		
24	0000 953 6602	2	Stud		
25	1113 792 9103	1	Hand guard		
26	0000 998 2200	1	Torsion spring		
27	0000 951 2904	1	Oval head screw M6x3.2x12		
28	* 1106 664 1500	1	Tensioning nut		11392839
29	* 1111 647 9000	1	Rubber ring		9945249

Clutch, Chain sprocket cover

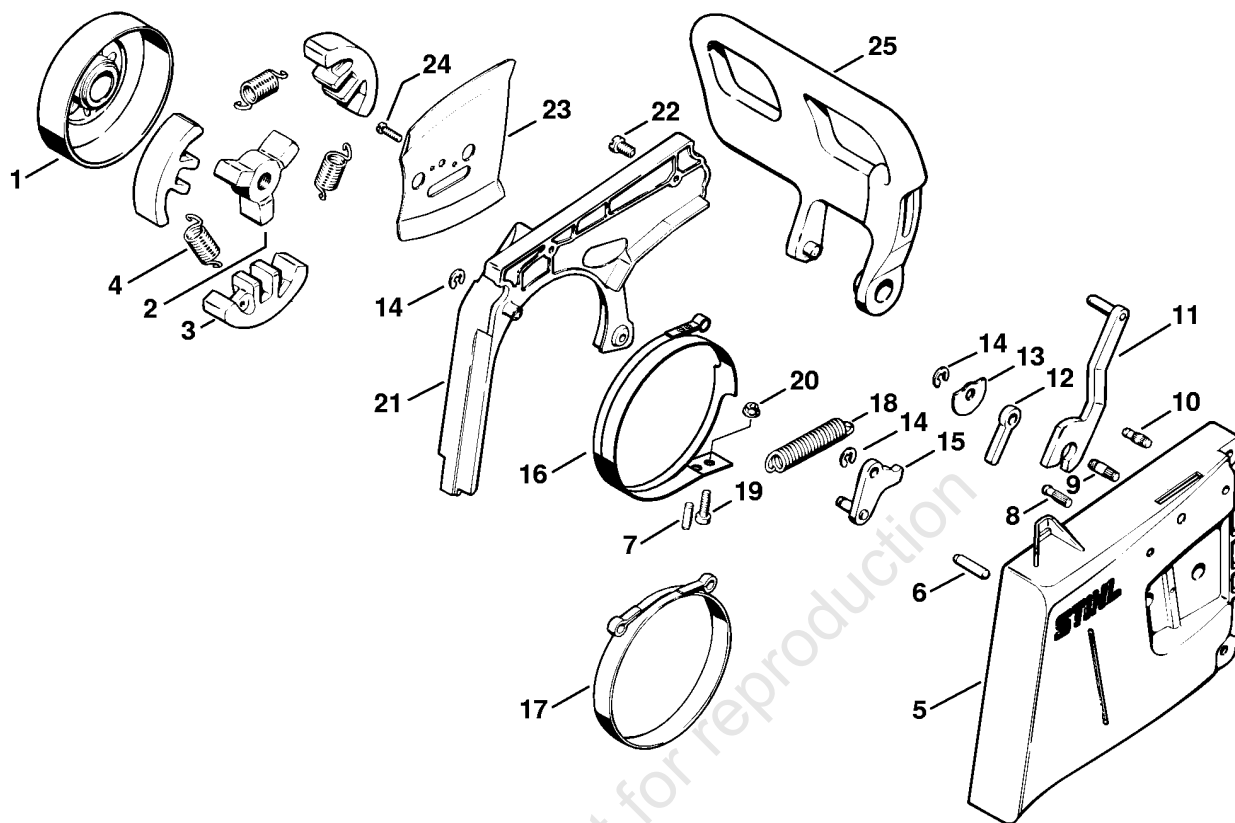


111ET034 SC

(1) 051, (2) 051 Q, (3) 051 QR

Clutch, Chain sprocket cover

Reference	Item number	Qty	Description	Contains	Up to
1	9512 933 3800	1	Needle cage 14x18x15		
2	1111 640 2002	1	Chain sprocket 0.404" 7T		
3	1111 640 2012	1	Chain sprocket 1/2" 6T (B)		
	1111 640 2026	1	Rim sprocket kit 3/8" 8T (B)	4, 5	
4		1	Clutch drum (D)		
5	0000 642 1215	1	Rim sprocket 3/8" 8T (B)		
	1111 640 2025	1	Rim sprocket kit 0.404" 7T (B)	4, 6	
6	0000 642 1206	1	Rim sprocket 0.404" 7T		
7	1111 162 8901	1	Washer A13		
	1111 160 2003	1	Clutch	8 - 10	
8	1111 162 3201	1	Carrier		
9	1111 162 0803	3	Clutch shoe		
10	0000 997 6002	3	Tension spring		
11	1111 162 8902	1	Washer		
12	9211 260 1470	1	Hexagon nut M12x1.5		
13	1111 664 1005	1	Outer side plate		
14	9441 065 1910	2	Round head rivet 3x8		
15	1111 656 1505	1	Guard plate		
16	0000 971 0608	1	Pin (1)		
17	1111 648 0400	1	Chain sprocket cover (1)		
18	1111 664 0500	2	Bumper spike		
19	9008 319 1280	4	Hexagon head screw M6x16		
20	9214 320 0900	4	Lock nut M6		
21	9220 260 1300	2	Hexagon nut M10		
22	1111 656 7700	1	Chain catcher (1,2)		
23	9022 341 1010	1	Spline screw IS-M5x18 (1,2)		
24	* 9371 651 1360	2	Cylindrical pin 2.5x11		8369699
25	* 1111 640 2007	1	Chain sprocket 3/8" 8T		8369699



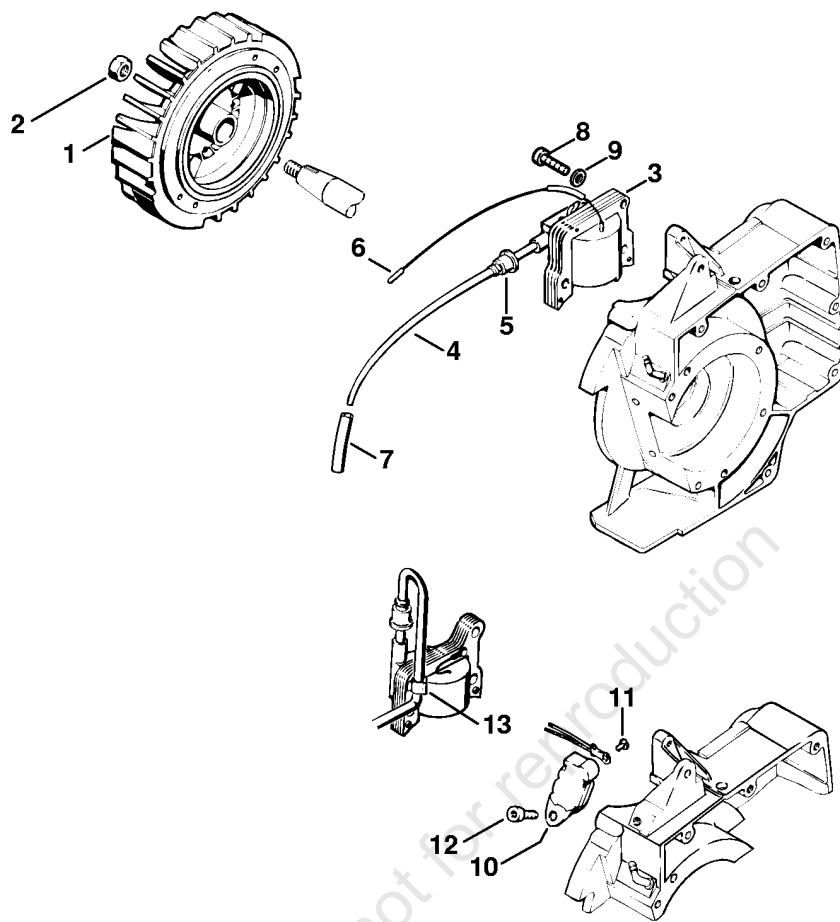
online version, not for reproduction

124ET023 SC

(1) 051, (2) 051 Q, (3) 051 QR

Chain brake, Chain sprocket cover

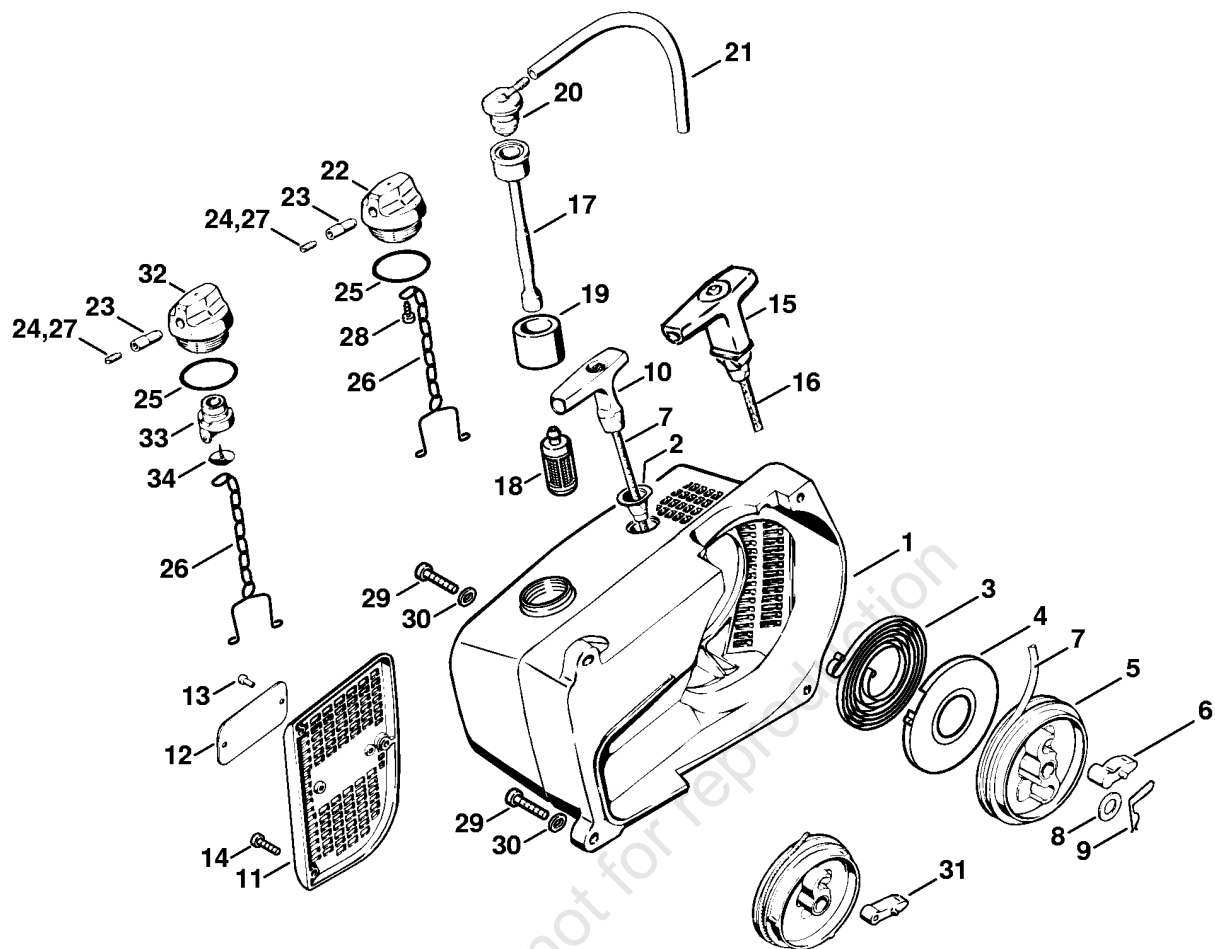
Reference	Item number	Qty	Description	Contains	Up to
	1111 007 1025	1	Chain brake kit (B)	5 - 16, 18 - 25	
1	1111 640 2002	1	Chain sprocket 0.404" 7T (2,3)		
	1111 160 2003	1	Clutch (2,3)	2 - 4	
2	1111 162 3201	1	Carrier (2,3)		
3	1111 162 0803	3	Clutch shoe (2,3)		
4	0000 997 6002	3	Tension spring (2,3)		
	1111 640 1713	1	Chain sprocket cover (B) (2,3)	5 - 16, 18 - 24	
5	1111 640 1702	1	Chain sprocket cover (2,3)	6 - 10	
6	9381 651 3140	1	Cylindrical pin 6x24 (2,3)		
7	9381 651 2600	1	Cylindrical pin 5x16 (2,3)		
8	1117 162 5225	1	Pin (2,3)		
9	1115 162 5226	1	Pin (2,3)		
10	1120 162 5200	1	Pin (2,3)		
11	1111 160 5001	1	Lever (2,3)		
12	1118 162 5001	1	Lever (2,3)		
13	1111 648 7300	1	Washer (2,3)		
14	9460 624 0500	3	E-clip 5 (2,3)		
15	1111 160 5101	1	Cam (2,3)		
16	1111 160 5401	1	Brake band (2,3)		
17	* 1111 160 5400	1	Brake band (2,3)		10138250
18	0000 997 6004	1	Tension spring (2,3)		
19	9022 341 0980	1	Spline screw IS-M5x16 (2,3)		
20	9216 261 0700	1	Hexagon nut M5 (2,3)		
21	1111 648 7701	1	Cover (2,3)		
22	9022 313 0660	3	Spline screw IS-M4x12 (2,3)		
23	1111 664 1005	1	Outer side plate (2,3)		
24	9022 313 0660	1	Spline screw IS-M4x12 (2,3)		
25	1115 792 9105	1	Hand guard (2,3)		



111ET036 SC

Ignition system

Reference	Item number	Qty	Description	Contains	Technical Information
1	1111 404 1204	1	Flywheel		25.2005
2	9210 261 1140	1	Hexagon nut M8x1		
3	1111 400 1303	1	Ignition module	4 - 6	
4		1	Ignition lead 290 mm (D)		
	0000 405 0600	1	Ignition lead 1 m (A,B)		
	0000 930 2251	1	Ignition lead 10 m (A,B)		
5	0000 989 1010	1	Grommet		
6	1110 442 7000	1	Contact sleeve (C)		
7	1111 405 8800	1	Hose		
8	9022 371 1020	3	Spline screw IS-M5x20		
9	9291 021 0120	3	Washer 5.3		
10	* 1118 400 1001	1	Trigger unit		
11	* 9041 216 0300	1	Pan head screw M3x4		
12	* 9045 371 0960	1	Socket head screw M5x12		
13	* 1111 448 1200	1	Lead retainer		



111ET037 SC

Rewind starter

Reference	Item number	Qty	Description	Contains	Up to
	1111 080 2110	1	Fan housing with rewind starter	1 - 14	
	1111 080 2100	1	Fan housing with rewind starter	1 - 14	
1	1111 080 1825	1	Fan housing	2	
2	1110 084 9102	1	Bushing		
3	1117 190 0601	1	Rewind spring	4	
4	1117 195 0301	1	Spring housing		
5	1117 007 1014	1	Rope rotor kit	6	
6	1124 195 7200	1	Pawl		
7	1107 195 8200	1	Starter rope Ø 4.5x1000 mm		
	0000 930 2200	1	Starter rope Ø 4.5 mm x 30.5 m (B)		
	0000 930 2213	1	Starter rope Ø 4.5 mm x 60.8 m (B)		
8	1118 162 8935	1	Washer		
9	1117 195 3500	1	Spring		
10	1121 195 3400	1	Starter grip		
11	1111 080 3100	1	Fan cover	12, 13	
12	0000 967 2020	1	Nameplate STIHL		
12	0000 967 2018	1	Nameplate STIHL available in Brazil only		
13	0000 974 1000	2	Round head rivet 3x6		
14	9022 313 0680	3	Pan head screw IS M4x16		
15	1122 190 3400	1	Starter grip ElastoStart Ø 4,5 mm (B)	16	
16	1122 190 2900	1	Starter rope Ø 4.5 mm (B)		
	0000 930 2268	1	Starter rope Ø 4.5mm / 28 pieces (B)		
17	1111 358 7700	1	Hose		
18	0000 350 3500	1	Pickup body		
19	1111 358 1500	1	Felt sleeve (B,C)		
20	1111 353 2500	1	Elbow connector		
21		1	Hose 3.1x5.7x135 mm, R3 (D)		
	0000 930 2803	1	Hose 3.1x5.7 mm x 1 m, R3 (A,B)		
	0712 923 8004	1	Hose 3.1x5.7 mm x 10 m, R3 (A,B)		
22	1110 350 0501	1	Filler cap (1,3)	23 - 28	
23	1110 353 8102	1	Insert		
24	0000 951 5800	1	Grub screw		
25	9645 945 2820	1	O-ring 25x2.5		
26	1117 350 0905	1	Filler cap retainer		
27	1120 358 8105	1	Vent insert available in Brazil only		
28	9099 021 2360	1	Self-tapping screw 3.5x9.5 (1,3)		
29	9022 371 1050	4	Spline screw IS-M5x25		

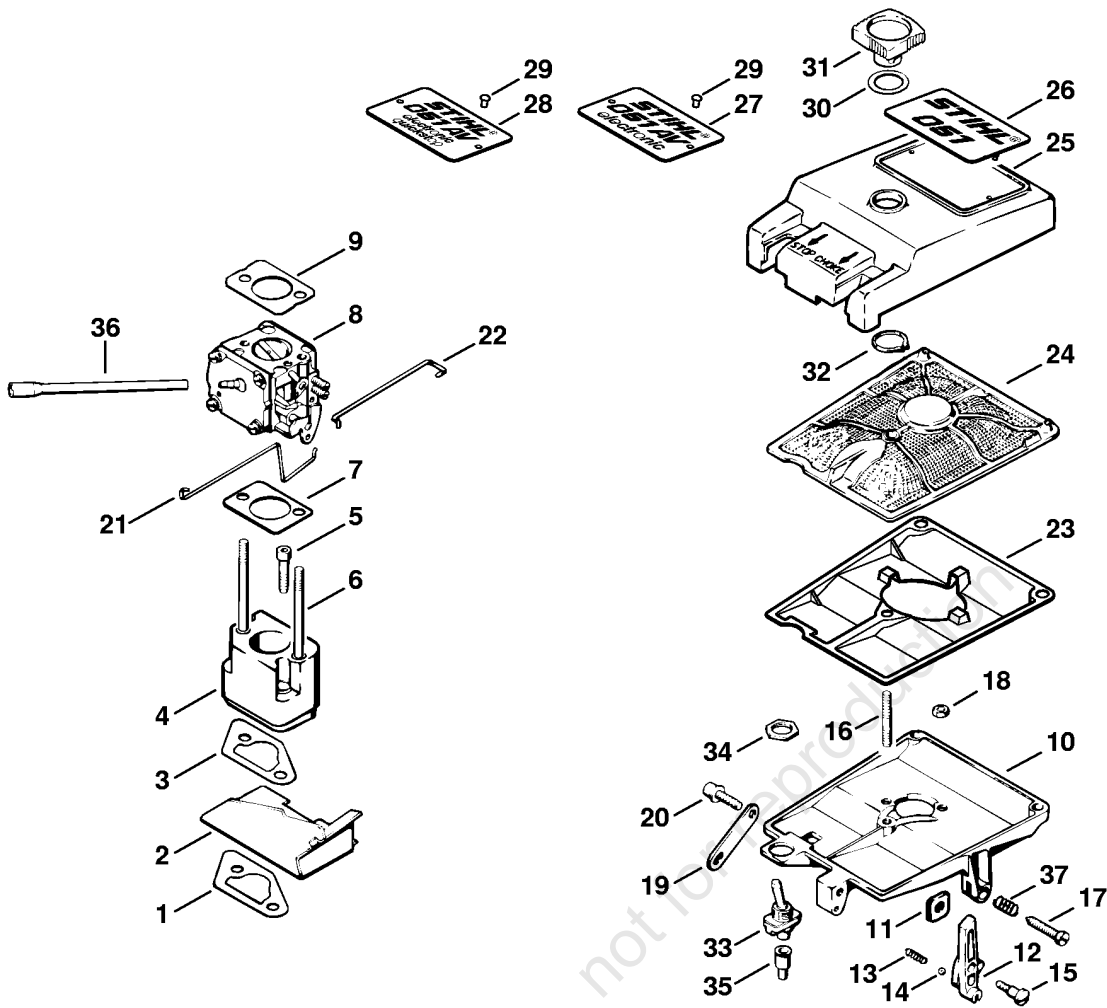
(1) 051, (2) 051 Q, (3) 051 QR

Rewind starter

Reference	Item number	Qty	Description	Contains	Up to
30	0000 958 0503	2	Washer		
31	* 1117 195 7200	1	Pawl		15392625
32	* 1110 350 0500	1	Filler cap (3)	23 - 27, 33, 34	
33	* 1110 353 2108	1	Valve body (3)		
34	* 1110 353 1600	1	Valve (3)		

online version, not for reproduction

Filter housing, Air filter



111ET040 SC

Filter housing, Air filter

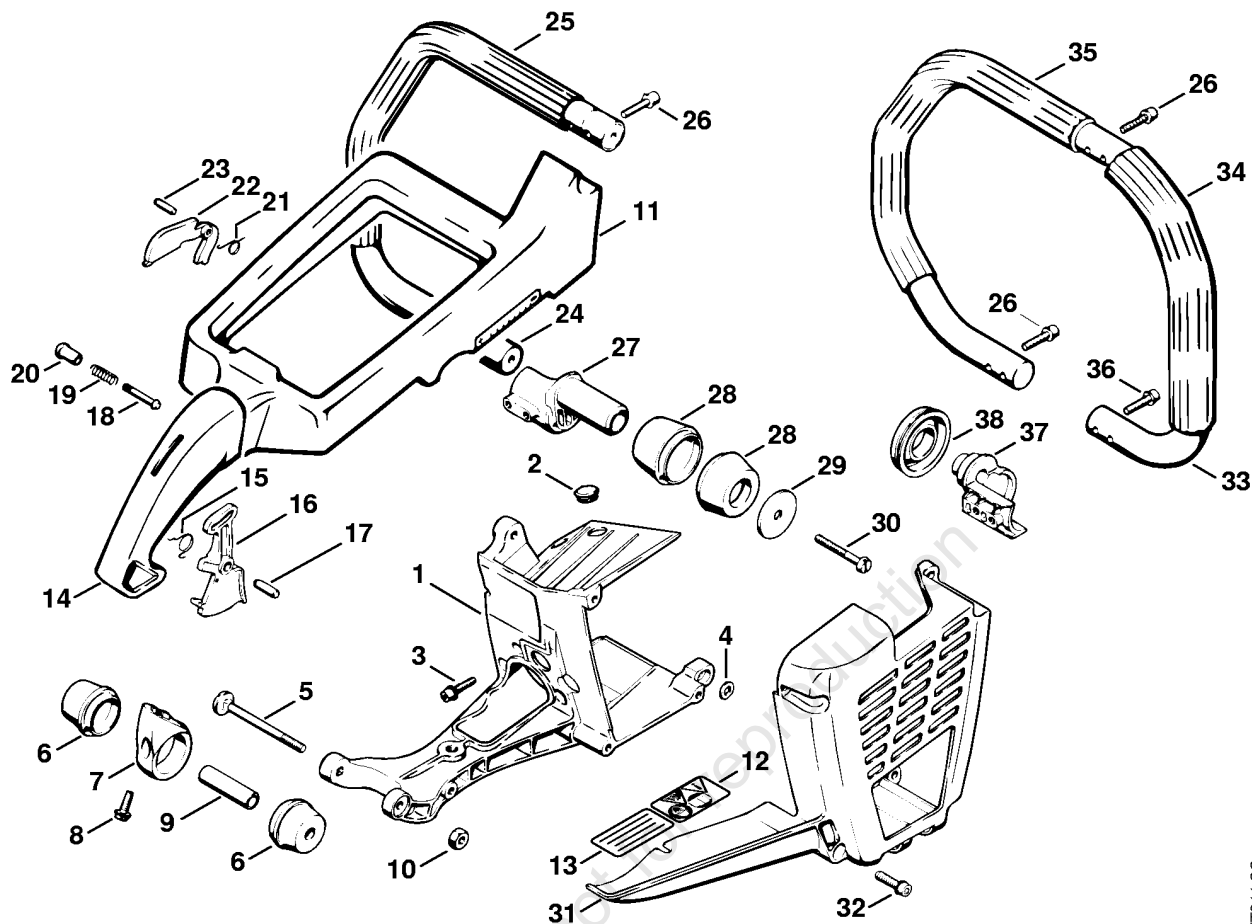
Reference	Item number	Qty	Description	Contains	Up to
1	1111 129 1400	1	Gasket 0.5 mm		
2	1111 146 7400	1	Deflecting plate		
3	1111 129 1400	1	Gasket 0.5 mm		
4	1111 120 2203	1	Flange		
5	9022 341 1070	2	Spline screw IS-M5x30		
6	9121 319 1120	2	Stud M5x55		
7	1111 129 1100	1	Gasket		
8	1111 120 0608	1	Carburetor WJ-112A		
8	* 1111 120 0601	1	Carburetor HS-60D		
9	1110 149 1200	1	Gasket		
10	1111 140 2801	1	Filter housing	11, 17	
11	1115 121 7700	1	Guide piece		
12	1111 185 2001	1	Choke lever		
13	0000 997 0326	1	Compression spring		
14	9516 003 1730	1	Ball Ø 4 mm		
15	0000 951 2600	1	Oval head screw M4x10		
16	9121 347 1080	1	Stud M5x35		
17	1110 122 6201	1	Idle speed screw		
18	9216 261 0700	2	Hexagon nut M5		
19	1111 148 4000	1	Strap		
20	9022 341 1010	1	Spline screw IS-M5x18		
21	1111 182 1501	1	Throttle rod		
22	1111 185 1900	1	Choke rod		
23	1111 149 1200	1	Gasket available in Brazil only		
24	1111 120 1601	1	Air filter, fleece		
24	1111 120 1602	1	Air filter, wire mesh (B)		
25	1111 141 0504	1	Filter cover		
26	1111 967 1508	1	Model plate 051		
27	* 0000 967 1530	1	Model plate 051 AVE		
28	* 1111 967 1500	1	Model plate 051 AVEQ		
29	* 0000 974 1000	2	Round head rivet 3x6		
30	0000 958 1705	1	Washer		
31	1110 140 9501	1	Twist lock		
32	* 9455 621 1670	1	Circlip 16x1		
33	1111 430 0210	1	Stop switch		
33	1111 430 0202	1	Stop switch available in Brazil only		
34	9211 260 1430	1	Hexagon nut M12x0.75		
35	1110 432 9200	1	Grommet		

(1) 051, (2) 051 Q, (3) 051 QR

Filter housing, Air filter

Reference	Item number	Qty	Description	Contains	Up to
36		1	Hose 3.1x5.7x120 mm, R3 (D)		
	0000 930 2803	1	Hose 3.1x5.7 mm x 1 m, R3 (A,B)		
37	* 0000 997 0626	1	Helical spring		11452120
	1111 007 1052	1	Set of gaskets available in Brazil only	1, 7, 9	

online version, not for reproduction



111ET044 SC

(1) 051, (2) 051 Q, (3) 051 QR

Shroud, Handle frame

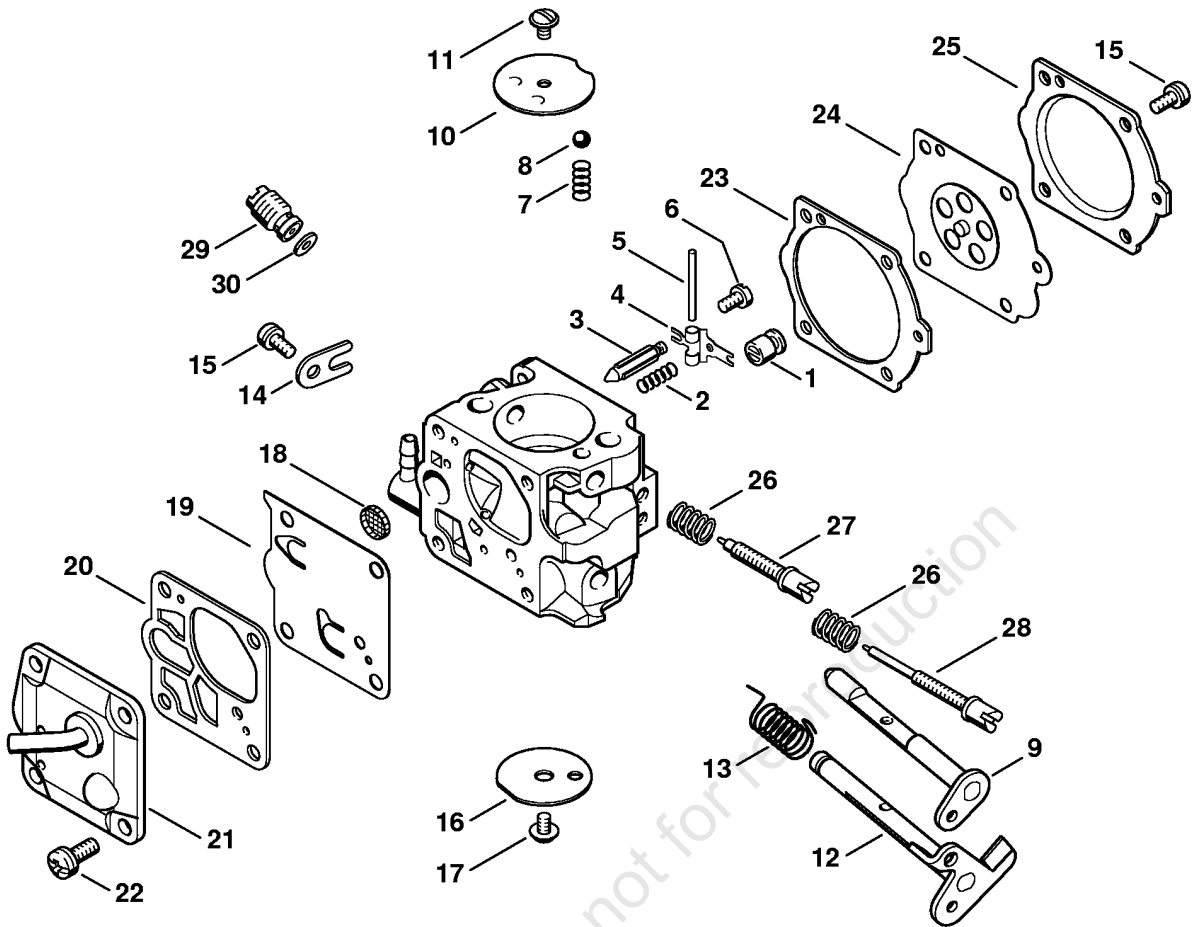
Reference	Item number	Qty	Description	Contains
1	4205 080 1600	1	Shroud	
2	1110 145 9001	2	Plug	
3	9022 341 1010	4	Spline screw IS-M5x18	
4	0000 958 0503	1	Washer	
5	9027 068 1540	1	Flat head screw M6x72	
6	1111 790 9915	2	Annular buffer	
7	1111 791 7600	1	Support	
8	9022 341 1010	1	Spline screw IS-M5x18	
9	1111 791 2700	1	Tube	
10	9214 320 0900	1	Lock nut M6	
11	1111 791 4902	1	Handle frame	
12	0000 967 3662	1	Warning pictogram MS	
13		1	Instruction label (C)	
14	1111 791 2201	1	Rubber grip	
15	0000 998 1000	1	Torsion spring	
16	1111 182 1002	1	Throttle trigger	
17	9373 542 2610	1	Cylindrical pin 5x18	
18	1114 182 8900	1	Pin	
19	0000 997 0603	1	Compression spring	
20	1111 182 9300	1	Starting throttle lock	
21	0000 998 0802	1	Torsion spring	
22	1111 182 0800	1	Lockout lever	
23	9371 470 2110	1	Cylindrical pin 4x16	
24	1111 790 1701	1	Handlebar (1,2)	25
25		1	Handle hose 320 mm / 12 5/8" (1,2)	
	0000 791 2005	1	Handle hose Ø 23 mm x 5m / 1x197" (B)	
26	9022 341 1010	4	Spline screw IS-M5x18	
27	1111 791 1901	1	Handlebar support	
28	1111 790 9905	2	Annular buffer	
29	1111 791 9800	1	Washer	
30	9022 341 1090	1	Spline screw IS-M5x40	
31	1111 146 6009	1	Guard	
32	9022 341 1010	5	Spline screw IS-M5x18	
33	1111 790 3401	1	Wrap around handlebar (3)	34, 35
34		1	Handle hose 223 mm / 8 13/16" (3)	
35		1	Handle hose 370 mm / 14 9/16" (3)	
36	9022 341 1010	2	Spline screw IS-M5x18 (3)	
37	1111 791 1907	1	Handlebar support (3)	

(1) 051, (2) 051 Q, (3) 051 QR

Shroud, Handle frame

Reference	Item number	Qty	Description	Contains
38	1111 799 0500	1	Sealing ring (3)	

online version, not for reproduction

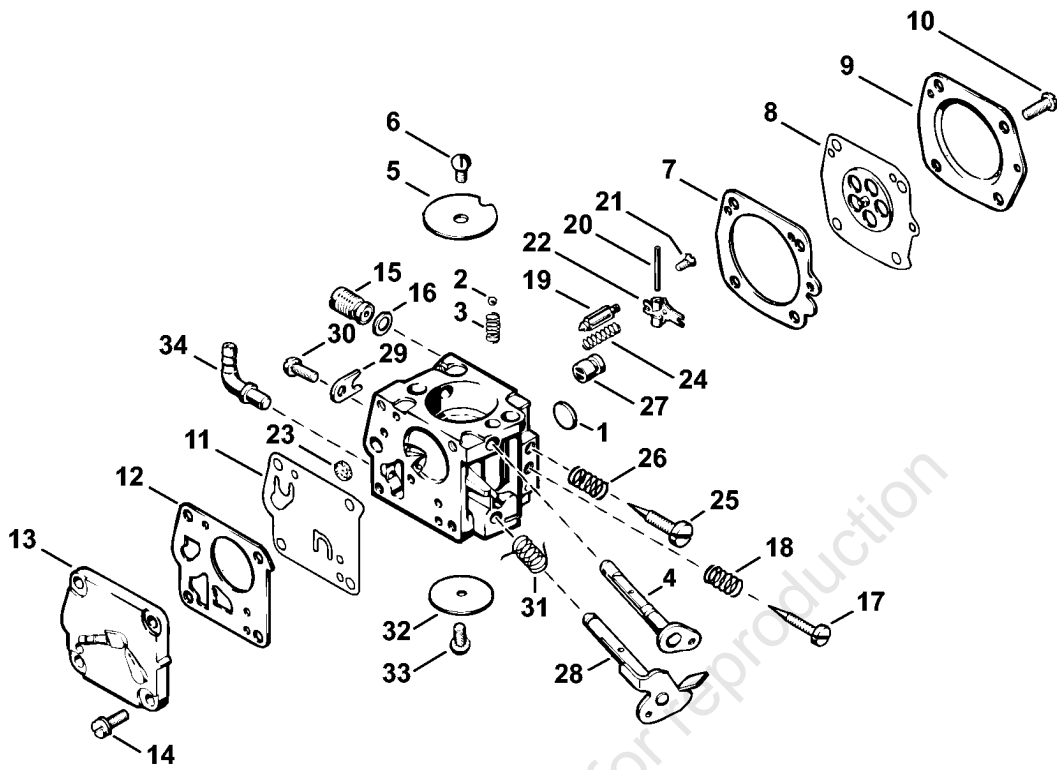


124ET025 SC

(1) 051, (2) 051 Q, (3) 051 QR

Carburetor WJ-112

Reference	Item number	Qty	Description	Contains
	1111 120 0608	1	Carburetor WJ-112A	1 - 30
1	1115 121 5401	1	Valve jet	
2	1117 122 3005	1	Spring	
3	1110 121 5100	1	Inlet needle	
4	1117 121 5000	1	Inlet control lever	
5	1117 121 9200	1	Spindle	
6	1114 122 7400	1	Round head screw	
7	1115 122 3001	1	Spring	
8	1115 122 4200	1	Ball	
9	1111 120 7202	1	Choke shaft with lever	
10	1117 121 2900	1	Choke shutter	
11	1121 122 7102	1	Round head screw	
12	1111 120 7102	1	Throttle shaft with lever	
13	1122 122 3200	1	Torsion spring	
14	1110 122 9300	1	Clip	
15	1106 122 7400	5	Round head screw	
16	1111 121 3301	1	Throttle shutter	
17	1115 122 7400	1	Round head screw	
18	1114 121 7800	1	Strainer	
19	1115 121 4800	1	Pump diaphragm	
20	1115 129 1100	1	Gasket	
21	1111 120 2600	1	Pump cover	
22	1115 122 7100	4	Round head screw	
23	1116 129 0900	1	Gasket	
24	1117 121 4700	1	Metering diaphragm	
25	1111 121 0804	1	End cover	
26	1115 122 3002	2	Spring	
27	1111 122 6702	1	High speed screw	
28	1111 122 6801	1	Low speed screw	
29	1111 120 8704	1	Control valve	
30	1111 121 8605	1	Washer	
	1122 007 1060	1	Set of carburetor parts (B)	19, 20, 23, 24



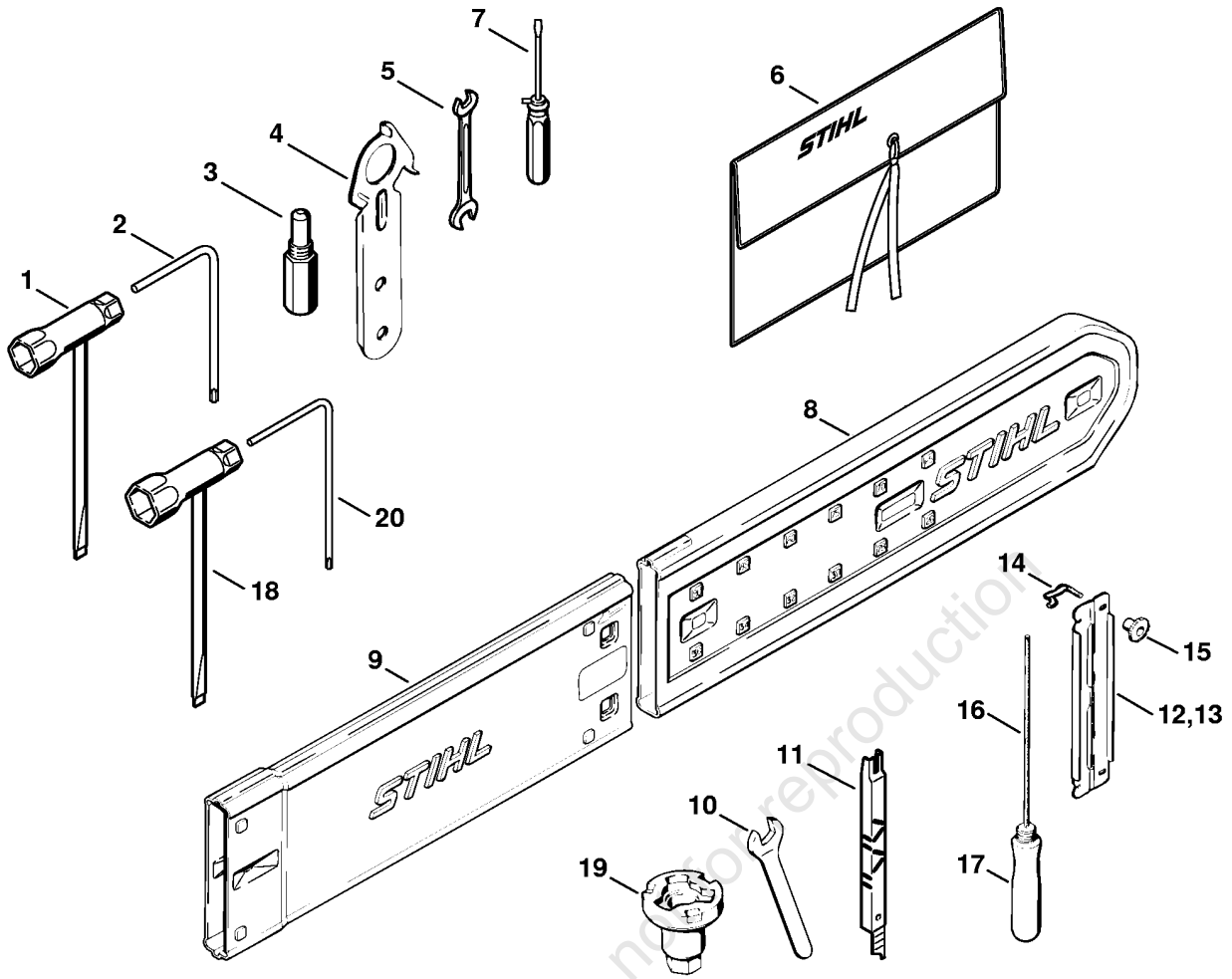
online version, not for reproduction

111ET015 SC

Carburetor HS-60

Reference	Item number	Qty	Description	Contains
	* 1111 120 0601	1	Carburetor HS-60D	1 - 34
1	* 1110 122 9410	1	Plug	
2	* 1110 122 4200	1	Ball	
3	* 1108 122 3001	1	Spring	
4	* 1111 120 7200	1	Choke shaft with lever	
5	* 1115 121 2900	1	Choke shutter	
6	* 1110 122 7400	1	Round head screw	
7	* 1110 129 0900	1	Gasket	
8	* 1110 121 4700	1	Metering diaphragm	
9	* 1111 121 0803	1	End cover	
10	* 1106 122 7400	4	Round head screw	
11	* 1110 121 4800	1	Pump diaphragm	
12	* 1110 129 1110	1	Gasket	
13	* 1110 121 0815	1	End cover	
14	* 1110 122 7700	4	Oval head screw	
15	* 1111 120 8701	1	Control valve	
16	* 1110 129 3000	1	Sealing ring	
17	* 1110 122 6800	1	Low speed screw	
18	* 1110 122 3030	1	Spring	
19	* 1124 121 5000	1	Inlet control lever	
20	* 1110 121 9200	1	Spindle	
21	* 1110 122 7801	1	Oval head screw	
22	* 1110 121 5100	1	Inlet needle	
23	* 4221 121 7800	1	Strainer	
24	* 1110 122 3020	1	Spring	
25	* 1111 122 6700	1	High speed screw	
26	* 1106 122 3000	1	Spring	
27	* 1111 121 5400	1	Valve jet	
28	* 1111 120 7100	1	Throttle shaft with lever	
29	* 1110 122 9300	1	Clip	
30	* 1106 122 7400	1	Round head screw	
31	* 1110 122 3200	1	Torsion spring	
32	* 1115 121 3300	1	Throttle shutter	
33	* 1110 122 7400	1	Round head screw	
34	* 1110 122 3900	1	Elbow connector	
	* 1115 007 1060	1	Set of carburetor parts	7, 8, 11, 12

(1) 051, (2) 051 Q, (3) 051 QR



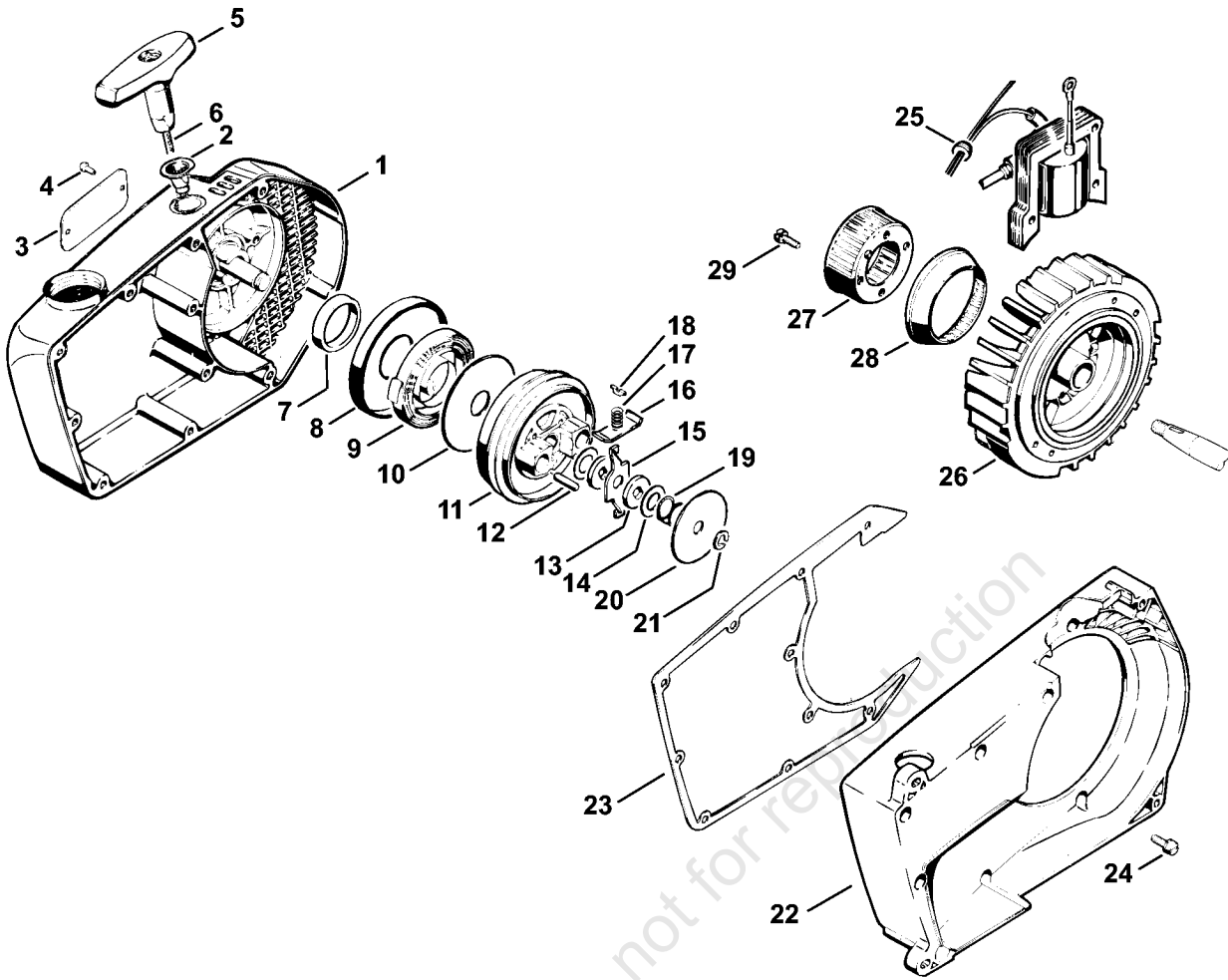
111ET039 SC

(1) 051, (2) 051 Q, (3) 051 QR

Tools, Extras

Reference	Item number	Qty	Description	Contains	Up to
	1111 890 1400	1	Tool kit	1 - 6	
	1111 890 1420	1	Tool kit available in Brazil only	1 - 4, 6, 7	
1	1111 890 3400	1	Combination wrench		
2	0812 370 1000	1	Screwdriver T27x120x70		
3	1107 191 1201	1	Locking screw		
4	1111 893 1300	1	Wrench		
5	0811 012 1152	1	Wrench 8x10		
6	0000 891 0810	1	Tool roll		
7	0000 890 2300	1	Screwdriver		
7	5910 890 2305	1	Screwdriver available in Brazil only		
8	0000 792 9130	1	Chain scabbard		
9	0000 792 9133	1	Chain scabbard extension up to 90 cm (B)		
10	1111 893 1302	1	Wrench (B)		
11	1106 893 4000	1	Filing gauge 0.404", 1/2" (B)		
12	5605 750 4330	1	File holder for 3/8" and 0.404" (B)	14 - 17	
13	5605 750 4335	1	File holder for 3/8" and 0.404" Super (B)	14 - 17	
14	5605 752 8300	2	Bow (B)		
15	5605 752 7700	2	Nut (B)		
16	0811 411 8108	1	Round file Ø 5.5x200 mm (B)		
17	0811 490 7860	1	File handle A100 (B)		
	0000 930 2207	1	Hose 3.1x5.7 mm x 3 m, R5 (A,B)		
18	* 1107 890 3400	1	Combination wrench		8704999
19	* 1111 893 1303	1	Wrench		10138250
20	* 0811 270 1080	1	Allen key 4x70x130		

Rewind starter friction shoe → X 6 745 960 (30.80)

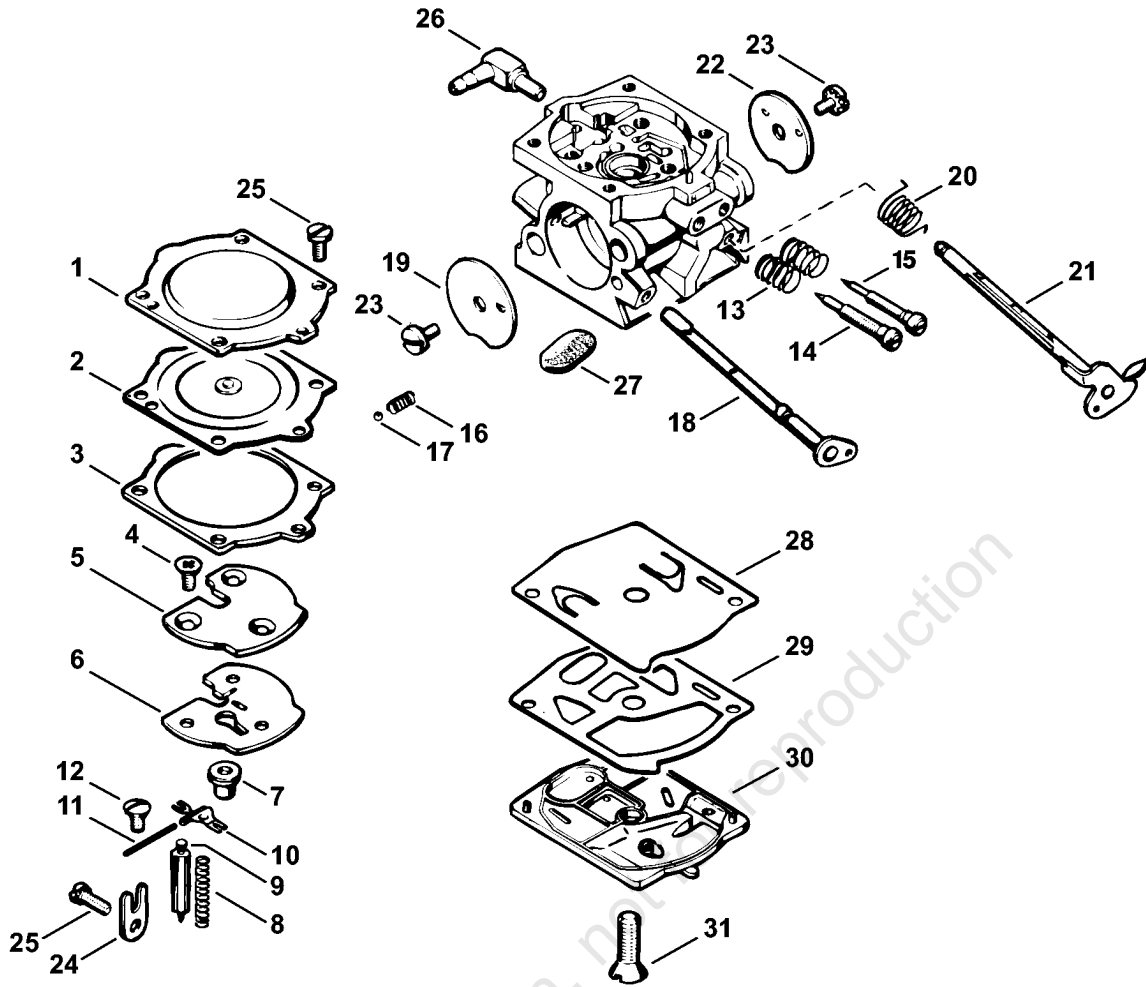


328ET025 SC

(1) 051, (2) 051 Q, (3) 051 QR

Rewind starter friction shoe → X 6 745 960 (30.80)

Reference	Item number	Qty	Description	Contains	Up to
1	* 1111 080 2801	1	Fan cover	2 - 4	6745960
2	* 1110 084 9102	1	Bushing		6745960
3	* 0000 967 2020	1	Nameplate STIHL		6745960
4	* 0000 974 1000	2	Round head rivet 3x6		6745960
5	* 1121 195 3400	1	Starter grip		6745960
6	* 1107 195 8200	1	Starter rope Ø 4.5x1000 mm		6745960
	* 0000 930 2200	1	Starter rope Ø 4.5 mm x 30.5 m (B)		6745960
	* 0000 930 2213	1	Starter rope Ø 4.5 mm x 60.8 m (B)		6745960
7	* 0000 988 2405	1	Felt ring		6745960
8	* 1111 195 1300	1	Cover		6745960
9	* 1111 195 1600	1	Rewind spring		6745960
10	* 1111 195 9005	1	Washer		6745960
11	* 1111 190 1000	1	Rope rotor	12	6745960
12	* 1106 195 9800	4	Notched pin		6745960
13	* 1106 195 9001	2	Washer		6745960
14	* 0000 958 1010	2	Washer		6745960
	* 1106 190 4600	1	Friction shoe	15 - 19	6745960
15	* 1106 195 3000	1	Brake lever		6745960
16	* 1106 195 5000	2	Friction shoe plate		6745960
17	* 1106 195 5100	2	Friction shoe spring		6745960
18	* 1106 195 1700	2	Spring retainer plate		6745960
19	* 1106 195 2900	1	Brake spring		6745960
20	* 1106 195 3200	1	Thrust washer		6745960
21	* 9460 624 0500	1	E-clip 5		6745960
22	* 1111 084 1000	1	Fan housing		6745960
23	* 1111 353 0700	1	Gasket		6745960
24	* 9048 319 0660	10	Pan head screw M4x12		6745960
25	* 0000 989 0804	1	Grommet		6745960
26	* 1111 404 1202	1	Flywheel		6745960
27	* 1111 195 4100	1	Starter cup		6745960
28	* 1111 195 9300	1	Ring		6745960
29	* 9048 319 0660	4	Pan head screw M4x12		6745960



(1) 051, (2) 051 Q, (3) 051 QR

Carburetor WS-11 → X 7 538 159 (44.80)

Reference	Item number	Qty	Description	Up to
1	* 1117 121 0800	1	End cover	7538159
2	* 1117 121 4700	1	Metering diaphragm	7538159
3	* 1116 129 0900	1	Gasket	7538159
4	* 1111 122 7100	3	Screw (C)	7538159
5	* 1117 121 7400	1	Plate	7538159
6	* 1117 129 0900	1	Gasket	7538159
7	* 1117 121 5400	1	Valve jet	7538159
8	* 1117 122 3005	1	Spring	7538159
9	* 1110 121 5100	1	Inlet needle	7538159
10	* 1117 121 5000	1	Inlet control lever	7538159
11	* 1117 121 9200	1	Spindle	7538159
12	* 1114 122 7400	1	Round head screw	7538159
13	* 1106 122 3000	2	Spring	7538159
14	* 1117 122 6700	1	High speed screw	7538159
15	* 1117 122 6800	1	Low speed screw	7538159
16	* 1116 122 3000	1	Spring	7538159
17	* 1116 122 4200	1	Ball	7538159
18	* 1111 120 7205	1	Choke shaft with lever (C)	7538159
19	* 1117 121 2900	1	Choke shutter	7538159
20	* 1117 122 3205	1	Torsion spring	7538159
21	* 1111 120 7105	1	Throttle shaft with lever (C)	7538159
22	* 1117 121 3300	1	Throttle shutter	7538159
23	* 1117 122 7400	2	Round head screw	7538159
24	* 1110 122 9300	1	Clip	7538159
25	* 1106 122 7400	5	Round head screw	7538159
26	* 1117 122 3900	1	Elbow connector	7538159
27	* 1117 121 7800	1	Strainer	7538159
28	* 1117 121 4800	1	Pump diaphragm	7538159
29	* 1111 129 0900	1	Gasket (C)	7538159
30	* 1111 121 0800	1	End cover (C)	7538159
31	* 1117 122 7905	1	Countersunk screw	7538159