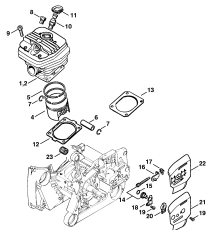
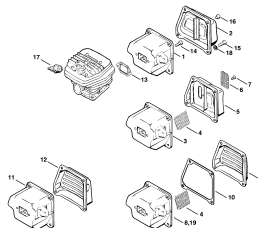


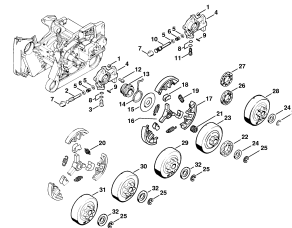
Crankcase



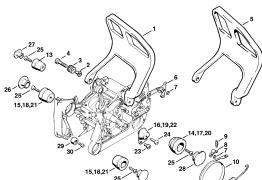
Cylinder



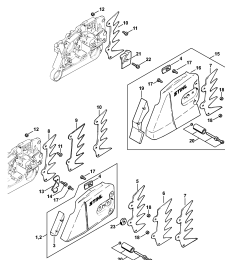
Muffler



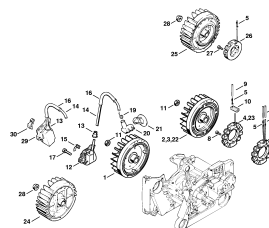
Oil pump, Clutch



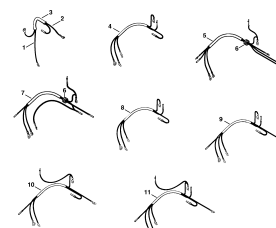
AV system



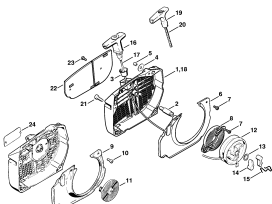
Chain sprocket cover



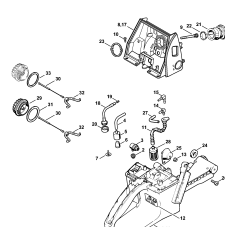
Ignition system



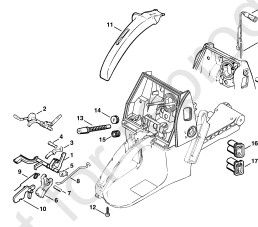
Wiring harness



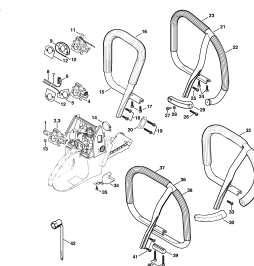
Rewind starter



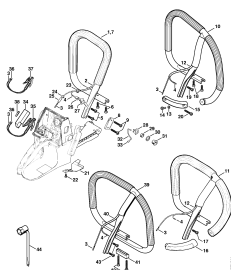
Tank housing



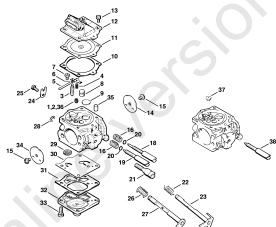
Throttle control



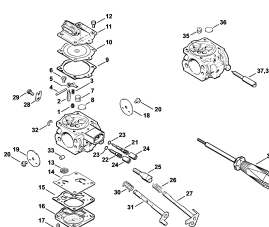
Handlebar



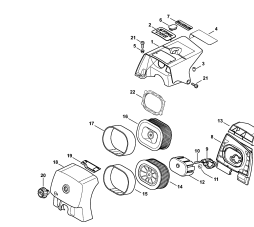
Handlebar (Heating)



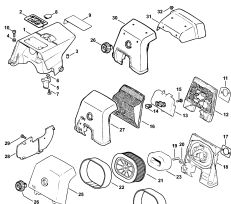
Carburetor WJ-65, WJ-67, WJ-76



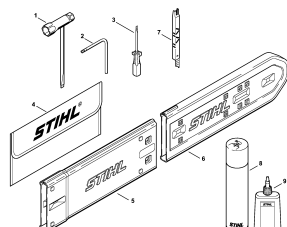
Carburetor WJ-69



Shroud, Air filter



Shroud, Air filter → X 39  
176 185 (01.98)



Tools, Extras

**Description**

Crankcase

Cylinder

Muffler

Oil pump, Clutch

AV system

Chain sprocket cover

Ignition system

Wiring harness

Rewind starter

Tank housing

Throttle control

Handlebar

Handlebar (Heating)

Carburetor WJ-65, WJ-67, WJ-76

Carburetor WJ-69

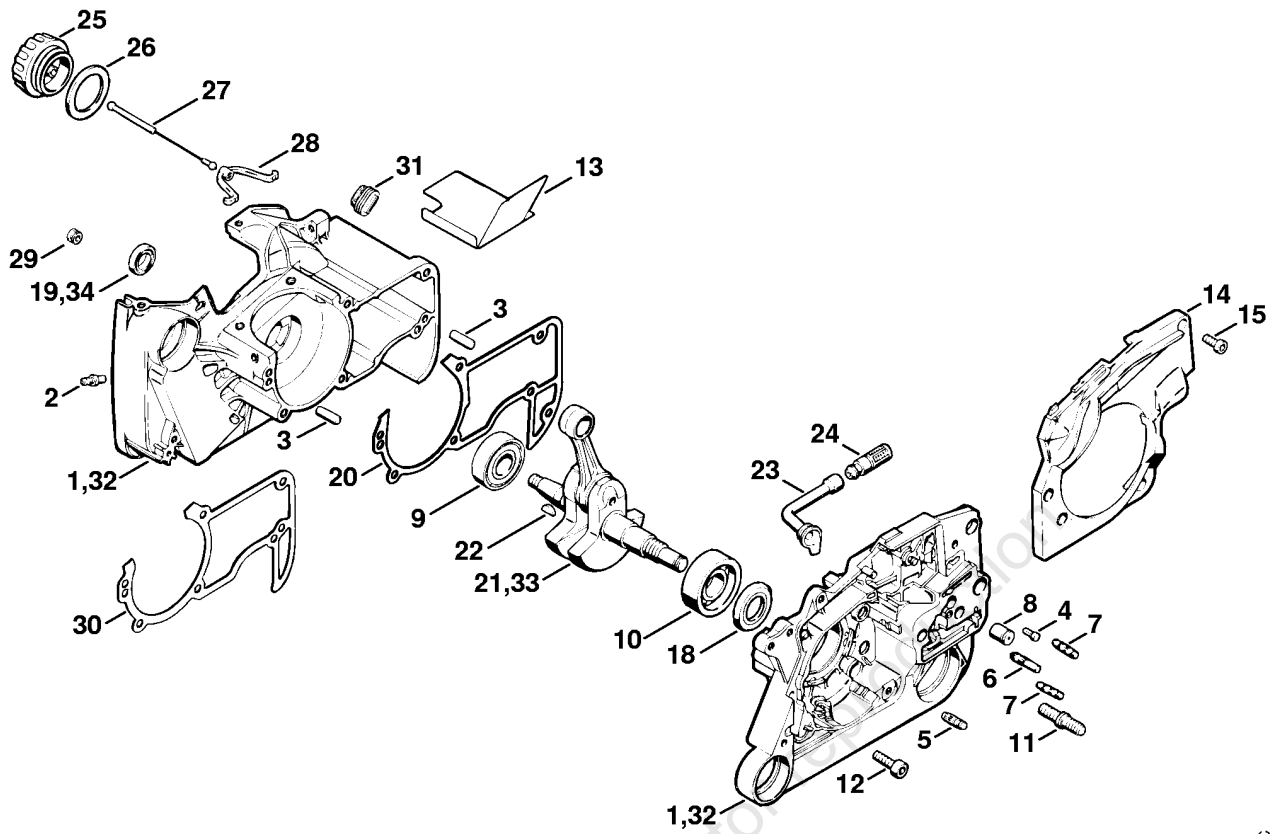
Shroud, Air filter

Shroud, Air filter → X 39 176 185 (01.98)

Tools, Extras

online version, not for reproduction

**Crankcase**



137ET045 SC

## Crankcase

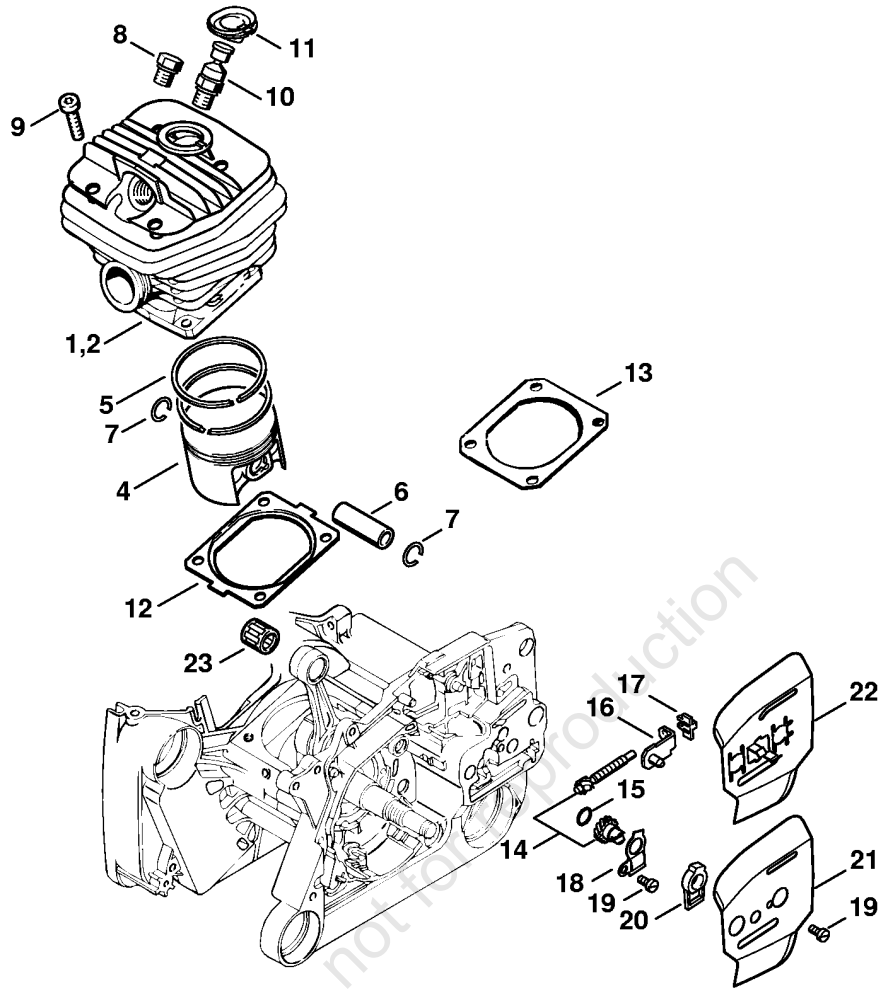
Reference	Item number	Qty	Description	Contains	Up to	Technical Information
1	1122 020 2113	1	Crankcase	2 - 13		
2	0000 988 5211	1	Connector			
3	9371 470 2610	2	Cylindrical pin 5x18			
4	0000 974 1200	1	Notched pin 2.6x8			
5	1120 162 5200	1	Pin			
6	1121 162 5205	1	Pin			
7	1121 162 5200	2	Pin			
8	1128 640 9100	1	Valve			
9	9503 003 6676	1	Grooved ball bearing 6203			
10	9523 003 4555	1	Grooved ball bearing 17x40x14			
11	0000 953 6605	2	Collar screw M8			
12	9022 371 1020	6	Spline screw IS- M5x20			
13	1128 084 8302	1	Reflector foil			
14	1122 021 1105	1	Cover			
15	9022 313 0660	4	Spline screw IS- M4x12			
18	9640 003 1850	1	Oil seal DIN3760- BS17x32,9x3,6			
19	9640 003 1560	1	Oil seal 15x22x4			
20	1122 029 0507	1	Gasket			
21	1122 030 0408	1	Crankshaft	22		25.2005
22	1120 036 8500	1	Woodruff key 2x3.7			
23	1122 647 9400	1	Hose			
24	1117 640 3800	1	Pickup body			
25	0000 350 0520	1	Filler cap	26 - 28		
26	0000 359 1220	1	Sealing ring			
27	0000 350 0900	1	Rope			
28	0000 353 0600	1	Hook			
29	1125 084 8900	1	Grommet			
	1122 007 1053	1	Set of gaskets	13, 18 - 20, 34		
	1122 007 1054	1	Set of gaskets available in Brazil only	20		
30	* 1122 029 0500	1	Gasket		145500382	
31	* 1122 021 1900	1	Plug		145500382	
	* 1122 007 1051	1	Set of gaskets	13, 18, 19, 30	145500382	

(1) 066, (2) 066 BR, (3) 066 M, (4) 066 MR, (5) 066 W

**Crankcase**

Reference	Item number	Qty	Description	Contains	Up to	Technical Information
32	* 1122 020 2102	1	Crankcase	2 - 15	33917065	
33	* 1122 030 0407	1	Crankshaft	22	33917065	25.2005
34	* 9640 003 1355	1	Oil seal 13.5x20x4		33917065	

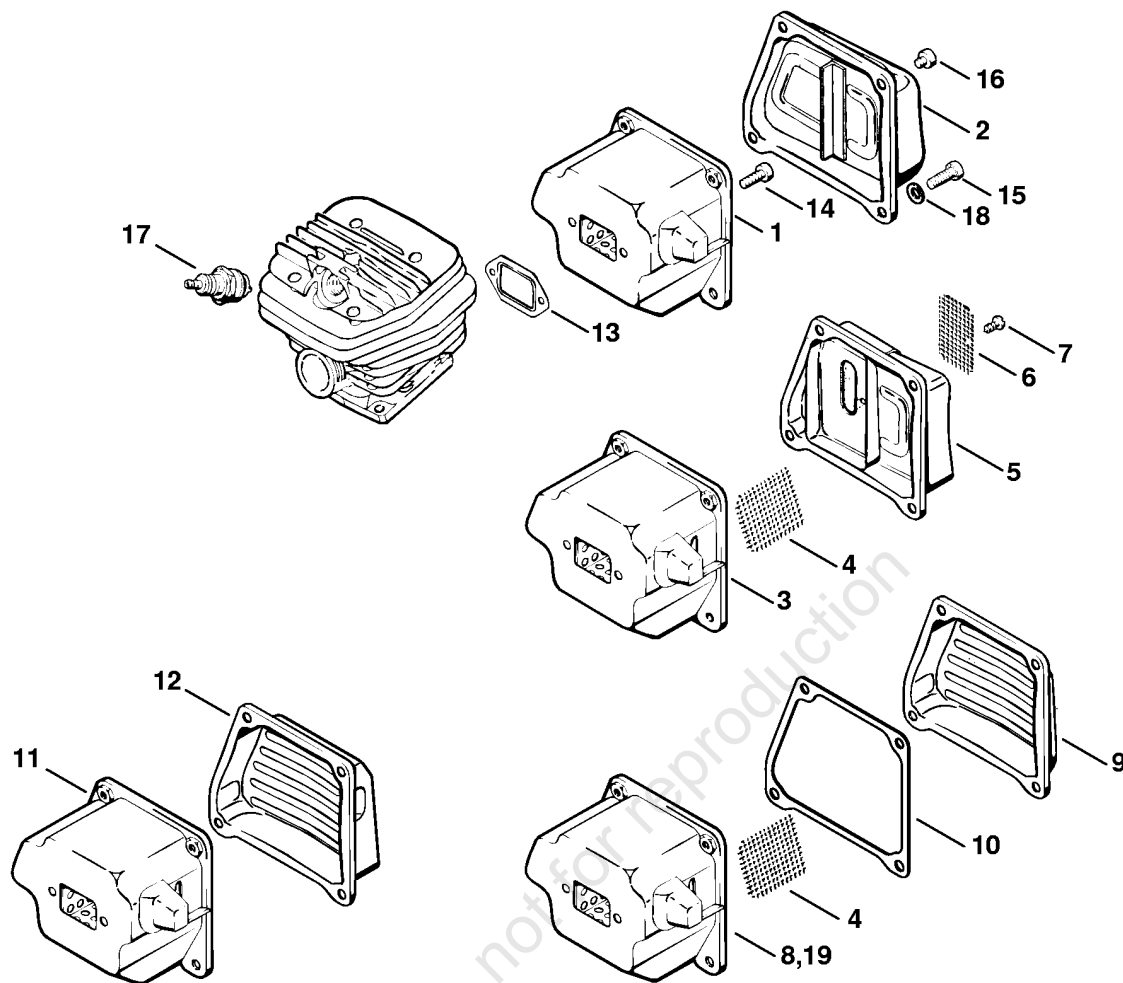
online version, not for reproduction



(1) 066, (2) 066 BR, (3) 066 M, (4) 066 MR, (5) 066 W

## Cylinder

Reference	Item number	Qty	Description	Contains
1	1122 020 1209	1	Cylinder with piston Ø 54 mm (1,2,3,5)	4 - 9
2	1122 020 1211	1	Cylinder with piston Ø 54 mm USA, CDN (4)	4 - 8
4	1122 030 2005	1	Piston Ø 54 mm	5 - 7
5	1122 034 3001	2	Piston ring Ø 54x1.2 mm	
6	1122 034 1500	1	Piston pin 12x8x33	
7	9463 650 1200	1	Snap ring 12x1	
8	1122 025 2200	1	Plug	
9	9022 371 1350	4	Spline screw IS-M6x25	
10	1128 020 9400	1	Decompression valve	
11	1122 084 1405	1	Cover	
12	1122 029 2301	1	Cylinder gasket 0.5 mm	
13	1122 029 2306	1	Cylinder gasket 1 mm low compression	
14	1125 007 1021	1	Spur gear / chain adjusting screw kit	15
15	9646 945 0490	1	O-ring 7x1.5	
16	1125 640 1900	1	Tensioner slide	
17	1125 664 1400	1	Thrust pad	
18	1122 664 2200	1	Cover plate	
19	9041 216 0630	2	Pan head screw M4x8	
20	1122 664 4500	1	Support	
21	1128 664 1001	1	Inner side plate 0.9 mm	
22	1128 664 1002	1	Inner side plate (B)	
23	9512 003 3281	1	Needle cage 12x17x13	
	1122 007 1053	1	Set of gaskets	12
	1122 007 1054	1	Set of gaskets available in Brazil only	12

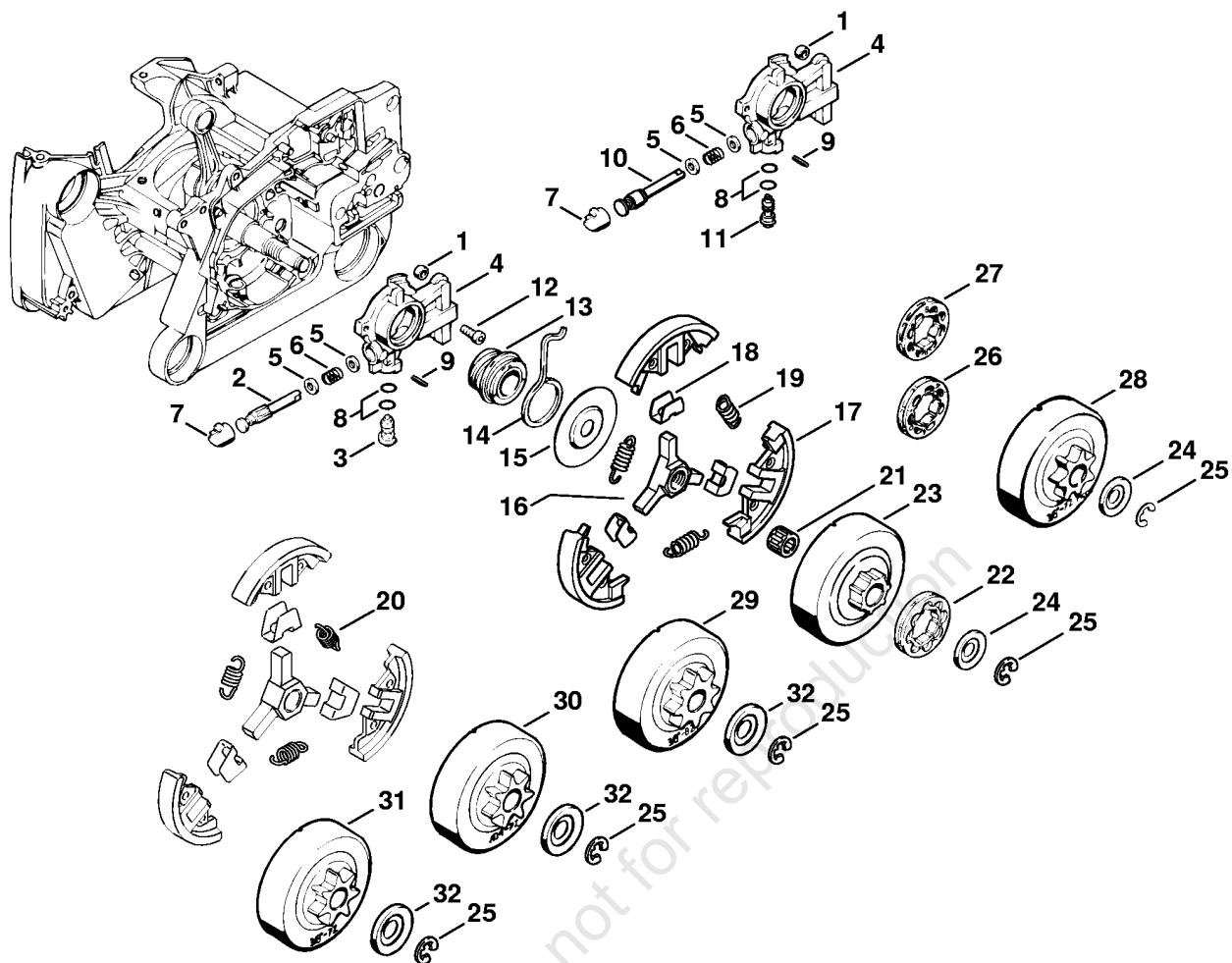


137ET044 SC



## Muffler

Reference	Item number	Qty	Description	Contains
1	1122 140 0602	1	Muffler (1,5)	2
2	1122 145 0801	1	Exhaust casing (1,5)	
3	1122 140 0603	1	Muffler (3)	4 - 7
4	1122 141 9001	1	Screen USA, CDN (3,4)	
5	1122 140 0800	1	Exhaust casing (3)	6, 7
6	1118 141 9005	1	Screen (3)	
7	9099 021 0810	1	Self-tapping screw 4.2x9.5 (3)	
8	1122 140 0613	1	Muffler (4)	4, 9
9	1122 145 0807	1	Exhaust casing (4)	
10	1122 149 0500	1	Gasket (4)	
11	1122 140 0614	1	Muffler (2)	12
12	1122 145 0811	1	Exhaust casing (2)	
13	1125 149 0601	1	Muffler gasket	
14	9022 341 0980	2	Spline screw IS-M5x16	
15	9022 341 1300	2	Spline screw IS-M6x20	
16	9022 341 0910	2	Spline screw IS-M5x6	
17	1110 400 7005	1	Spark plug Bosch WSR 6 F	
17	0000 400 7000	1	Spark plug NGK BPMR7A	
18	0000 148 6000	2	Washer (Tensioning gear) AUS, NZ	
	1122 007 1053	1	Set of gaskets	13
	1122 007 1054	1	Set of gaskets available in Brazil only	13
19	* 1122 140 0609	1	Muffler (2,4)	4, 9



(1) 066, (2) 066 BR, (3) 066 M, (4) 066 MR, (5) 066 W

## Oil pump, Clutch

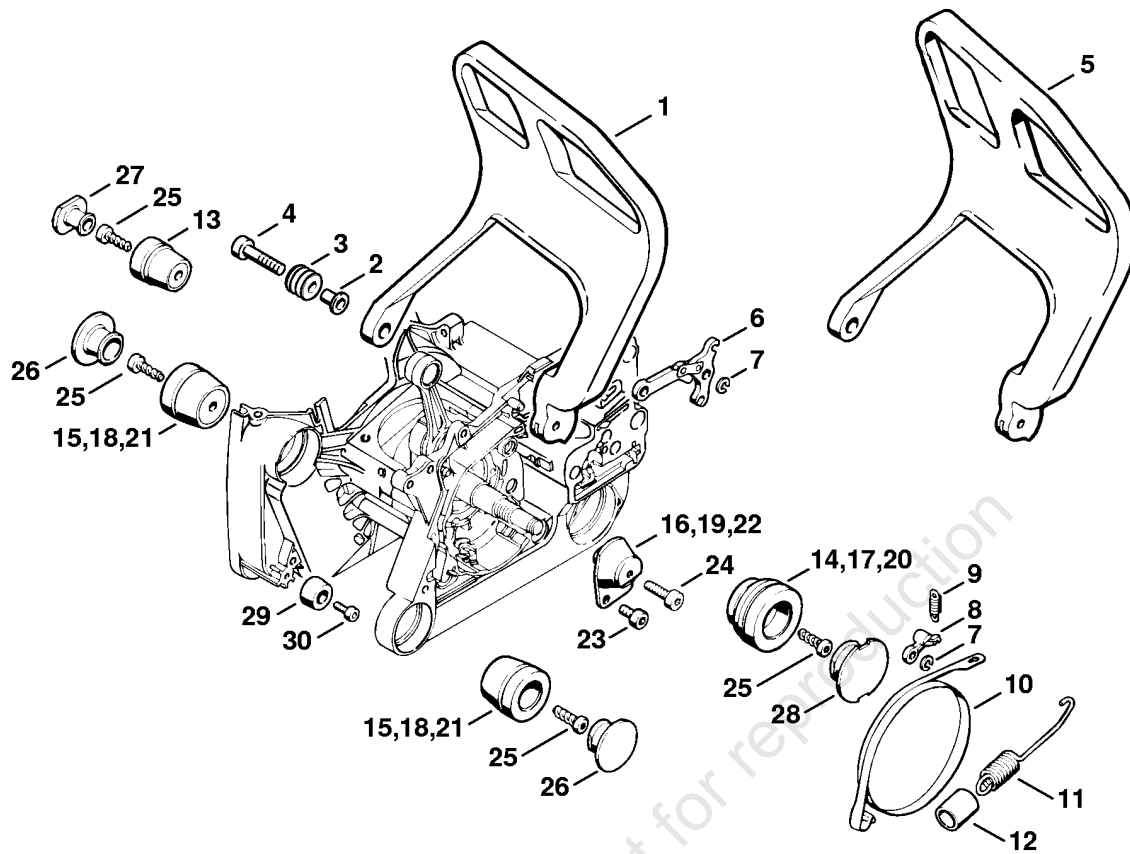
Reference	Item number	Qty	Description	Contains	Technical Information
1	1122 649 5000	1	Sealing ring B4x2		
	1122 640 3205	1	Oil pump (0.9 mm stroke)	2 - 8	
2	1122 647 0601	1	Pump piston		
3	1128 647 4806	1	Control bolt		
4	1122 640 3005	1	Pump housing		
5	0000 958 0611	2	Washer		
6	0000 997 0629	1	Compression spring		
7	1125 647 7002	1	Plug		
8	9646 945 0160	2	O-ring 4x2		
9	9380 620 1090	1	Roll pin 2x10		
	1122 640 3201	1	Oil pump (1.15 mm stroke) (B) AUS	4 - 11	
10	1122 647 0602	1	Pump piston (B) AUS		
11	1128 647 4802	1	Control bolt (B) AUS		
12	9022 313 0660	2	Spline screw IS-M4x12		
13	1122 640 7105	1	Worm	14	
14	1122 647 2401	1	Spring		
15	1122 162 1000	1	Cover washer 52 mm		
	1122 160 2002	1	Clutch	16 - 19	64.2005
16	1122 160 2300	1	Carrier		
17	1144 162 0802	3	Clutch shoe		10.2008 64.2005
18	0000 162 3001	3	Retainer		
19	0000 997 0912	3	Tension spring		
20	* 0000 997 0911	3	Tension spring		10.2008
21	9512 933 2382	1	Needle cage 10x16x13		
	1122 007 1001	1	Rim sprocket kit 3/8" 8T	22 - 25	
22	0000 642 1216	1	Rim sprocket 3/8" 8T		
23		1	Clutch drum (D)		
24	0000 958 1032	1	Washer Ø 27 mm		
25	9460 624 0801	1	E-clip 8x1.3		
	1122 007 1000	1	Rim sprocket kit 3/8" 7T (B)	23 - 26	
26	0000 642 1223	1	Rim sprocket 3/8" 7T (B)		
	1122 007 1002	1	Rim sprocket kit 0.404" 7T (B)	23 - 25, 27	
27	0000 642 1207	1	Rim sprocket 0.404" 7T (B)		
28	1122 640 2006	1	Chain sprocket 3/8" 7T Picco		
29	1122 640 2000	1	Chain sprocket 3/8" 8T (B)		

(1) 066, (2) 066 BR, (3) 066 M, (4) 066 MR, (5) 066 W

**Oil pump, Clutch**

Reference	Item number	Qty	Description	Contains	Technical Information
30	1122 640 2001	1	Chain sprocket 0.404" 7T (B)		
31	1122 640 2002	1	Chain sprocket 3/8" 7T (B)		
32	0000 958 1029	1	Washer Ø 33 mm (B)		

online version, not for reproduction



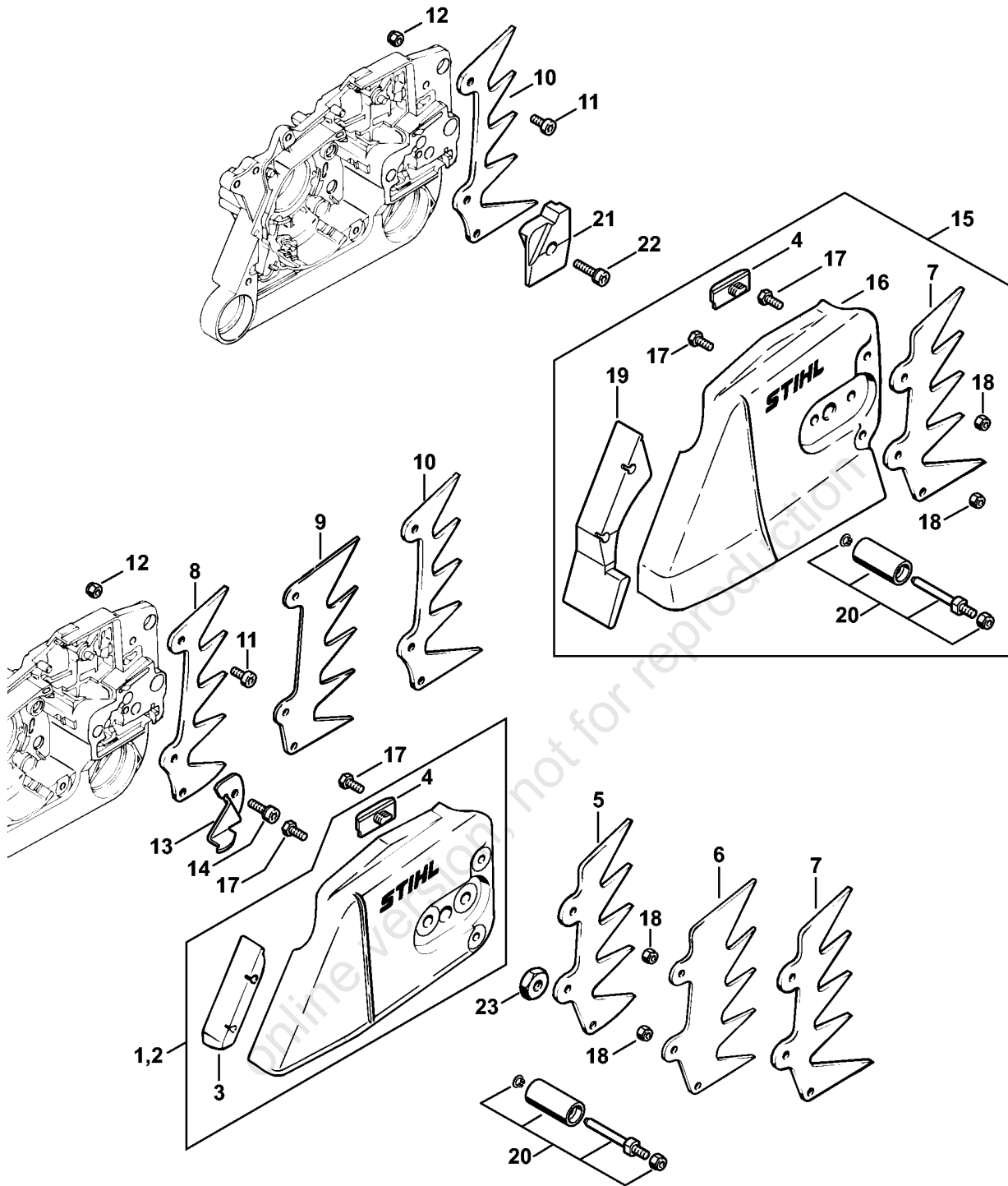
137ET004 SC

## AV system

Reference	Item number	Qty	Description	Contains
1	1122 790 9101	1	Hand guard (1,2,3,5)	2 - 4
2	1124 792 5500	1	Bushing	
3	1124 792 5505	1	Bushing	
4	9022 341 1090	1	Spline screw IS-M5x40	
5	1122 790 9102	1	Hand guard (4)	2 - 4
6	1128 160 5000	1	Lever	
7	9460 624 0400	2	E-clip 4	
8	1121 162 5010	1	Lever	
9	0000 997 0628	1	Spring	
10	1122 160 5400	1	Brake band	
11	1121 160 5500	1	Tension spring	12
12	1125 162 8002	1	Hose 20 mm / 13/16"	
		1	AV system soft:	
13	1122 790 9905	1	Annular buffer 1122/05	
14	1122 790 9901	1	Annular buffer 1122/01	
15	1125 790 9906	2	Annular buffer 1125/06	
16	1122 790 9921	1	Annular buffer 1122/21	
		1	AV system normal:	
13	1122 790 9905	1	Annular buffer 1122/05	
17	1122 790 9900	1	Annular buffer 1122/00	
18	1125 790 9904	2	Annular buffer 1125/04	
19	1122 790 9920	1	Annular buffer 1122/20	
		1	AV system hard:	
13	1122 790 9905	1	Annular buffer 1122/05	
20	1122 790 9902	1	Annular buffer 1122/02	
21	1125 790 9910	2	Annular buffer 1125/10	
22	1122 790 9922	1	Annular buffer 1122/22	
23	9022 341 0960	2	Spline screw IS-M5x12	
24	9022 341 0980	1	Spline screw IS-M5x16	
25	9074 478 4435	4	Pan head self-tapping screw IS-P6x19	
26	1125 791 7306	2	Plug	
27	1122 791 7301	1	Plug	
28	1122 791 7300	1	Plug	
29	1122 790 9300	1	Rubber buffer	
30	9022 313 0660	1	Spline screw IS-M4x12	

(1) 066, (2) 066 BR, (3) 066 M, (4) 066 MR, (5) 066 W

**Chain sprocket cover**

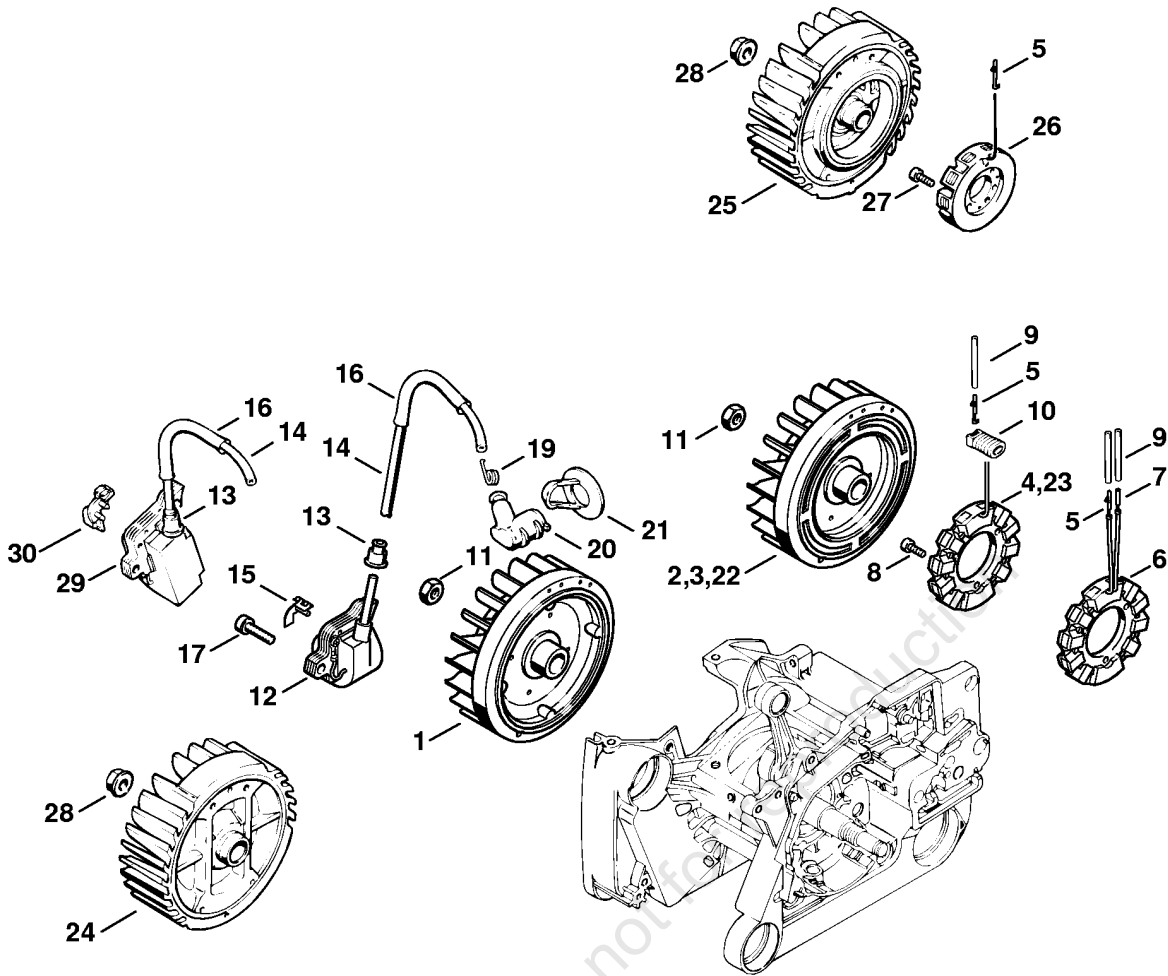


(1) 066, (2) 066 BR, (3) 066 M, (4) 066 MR, (5) 066 W

## Chain sprocket cover

Reference	Item number	Qty	Description	Contains	Technical Information
1	1122 640 1707	1	Chain sprocket cover (1,2,3,5)	3, 4	
2	* 1125 640 1701	1	Chain sprocket cover (1,2,3,5)	3, 4	10.2007
3	1125 656 1501	1	Guard (1,2,3,5)		
4	1121 648 6610	2	Bumper strip		
5	1122 664 0504	1	Bumper spike (1,5)		
6	1122 664 0510	1	Bumper spike (3)		
7	1122 664 0509	1	Bumper spike (2,4)		
8	1122 664 0505	1	Bumper spike (1,5)		
9	1122 664 0508	1	Bumper spike (3)		
10	1122 664 0506	1	Bumper spike (2,4)		
11	9022 341 0960	1	Spline screw IS-M5x12		
12	9214 320 0700	1	Lock nut M5		
13	1122 656 7700	1	Chain catcher (1,2,3,5)		
14	9022 341 1019	1	Spline screw IS-M5x20 (1,2,3,5)		
15	1122 640 1711	1	Chain sprocket cover (4)	4, 7, 16 - 20	
16	1122 648 0403	1	Chain sprocket cover (4)		
17	9008 345 0960	2	Hexagon head screw M5x12		
18	9214 320 0700	2	Lock nut M5		
19	1122 656 1510	1	Guard (4)		
20	1122 650 7702	1	Chain catcher AUS, NZ (4)		
21	1122 640 8300	1	Bumper strip (4)		
22	9022 341 1019	1	Spline screw IS-M5x20 (4)		
23	0000 955 0801	2	Hexagon nut M8		





137ET060 SC

## Ignition system

Reference	Item number	Qty	Description	Contains	Up to	Technical Information
1	1122 400 1217	1	Flywheel (1,2,3,4)			25.2005
2	1122 400 1218	1	Flywheel (5)			25.2005
3	1122 400 1202	1	Flywheel			25.2005
4	1128 404 3501	1	Generator (5)	5		
5	1118 431 6600	1	Terminal pin (C) (5)			
6	1128 404 3502	1	Generator	5, 7		
7	1118 431 6700	1	Terminal socket (C)			
8	9022 313 0660	3	Spline screw IS-M4x12 (5)			
9	1121 442 0402	1	Insulating hose 35 mm / 1.4" (5)			
9	1121 442 0402	2	Insulating hose 35 mm / 1.4"			
10	1121 405 1900	1	Support (5)			
11	9211 260 1340	1	Hexagon nut M10x1			
12	1122 400 1314	1	Ignition module	13 - 15		
13	0000 989 1010	1	Grommet			
14		1	Ignition lead 185 mm (D)			
	0000 405 0600	1	Ignition lead 1 m (B)			
	0000 930 2251	1	Ignition lead 10 m (B)			
15	0000 448 1250	1	Lead retainer			
16	1117 442 0905	1	Insulating hose 110 mm / 4.3"			
17	9022 341 1019	3	Spline screw IS-M5x20			
19	0000 998 0604	1	Spark plug contact spring			
20	1128 405 1000	1	Spark plug boot			
21	1128 084 1400	1	Spark plug boot cover			
22	* 1122 400 1218	1	Flywheel		144672218	25.2005
23	* 1128 404 3501	1	Generator	5	144672218	
24	* 1122 400 1214	1	Flywheel (1,2,3,4)		33917065	25.2005
25	* 1122 400 1216	1	Flywheel (5)		33917065	25.2005
26	* 1122 404 3500	1	Generator (5)		33917065	
27	* 9041 216 0540	3	Pan head screw M3.5x12 (5)		33917065	

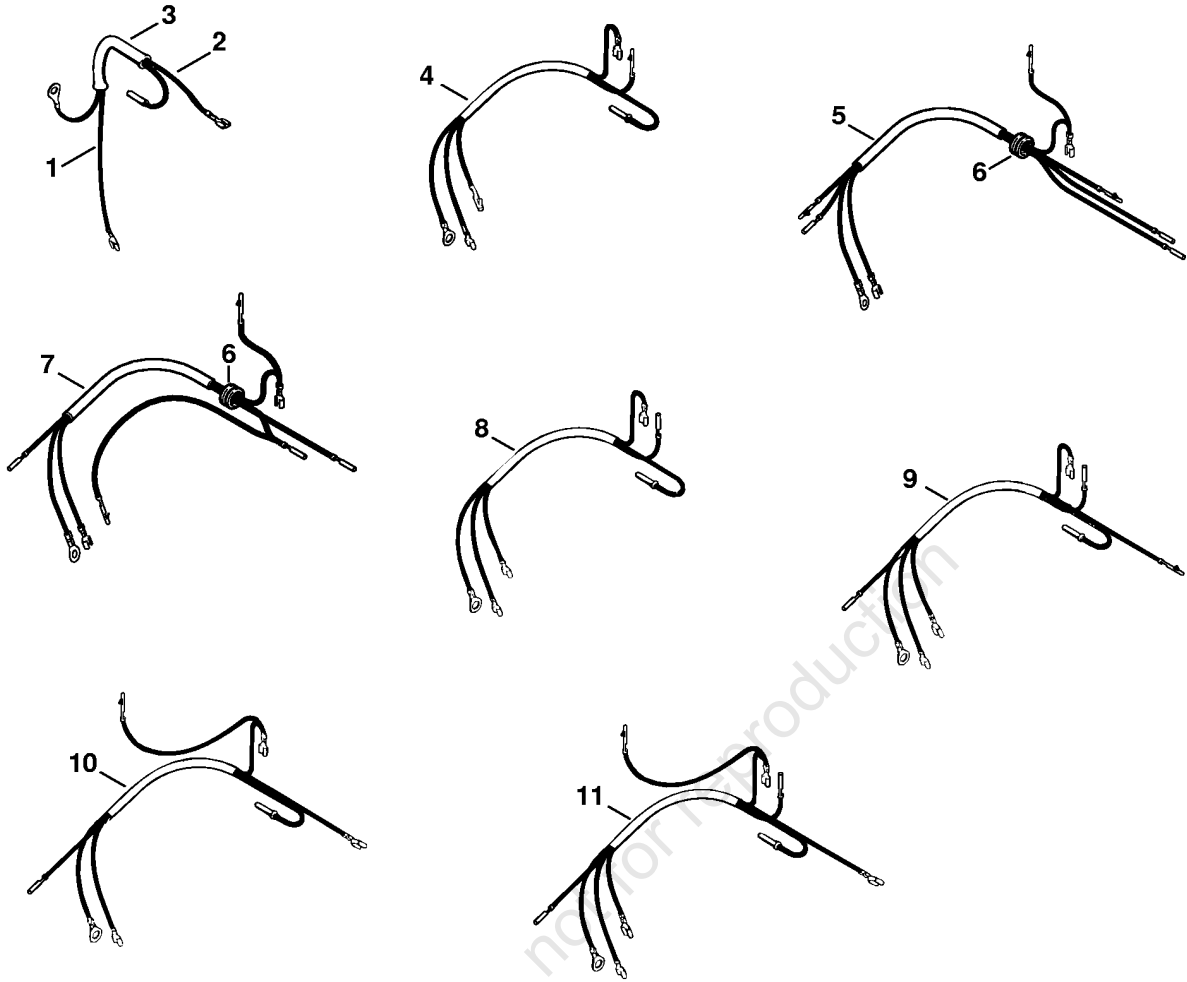
(1) 066, (2) 066 BR, (3) 066 M, (4) 066 MR, (5) 066 W

**Ignition system**

Reference	Item number	Qty	Description	Contains	Up to	Technical Information
28	* 0000 955 0802	1	Collar nut M8x1		33917065	
29	* 1122 400 1307	1	Ignition module		31067163	
30	* 1122 448 1205	1	Lead retainer		31067163	

online version, not for reproduction

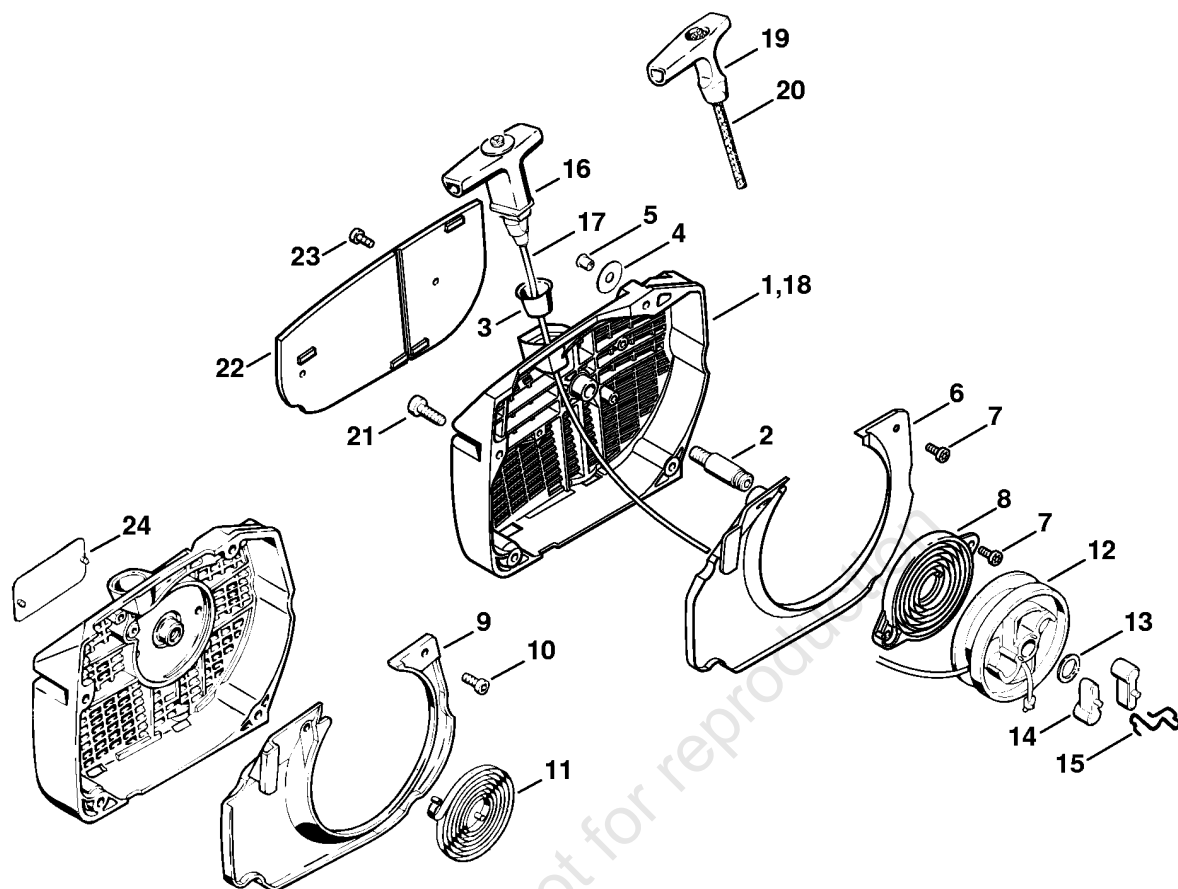
**Wiring harness**



(1) 066, (2) 066 BR, (3) 066 M, (4) 066 MR, (5) 066 W

## Wiring harness

Reference	Item number	Qty	Description	Contains	Up to
1	1121 440 1103	1	Short circuit wire 305 mm / 12.1" (1,2,3,4)		
2	1122 440 2201	1	Ground wire 270 mm / 10 5/8" (1,2,3,4)		
3	1122 442 0400	1	Insulating hose 100 mm / 4" (1,2,3,4)		
4	1122 440 3007	1	Wiring harness (5)		
5	1122 440 3002	1	Wiring harness	6	
6	0000 989 0812	1	Grommet		
	0751 010 1110	1	Cable 10 m (A, B)		
7	* 1122 440 3009	1	Wiring harness	6	144672218
8	* 1122 440 3000	1	Wiring harness (1,2,3,4)		31067163
9	* 1122 440 3005	1	Wiring harness (5)		31067163
10	* 1122 440 3008	1	Wiring harness		31067163
11	* 1122 440 3001	1	Wiring harness		



137ET038 SC

## Rewind starter

Reference	Item number	Qty	Description	Contains	Up to	From Machine
	1122 080 2110	1	Fan housing with rewind starter (1,3,4,5)	1 - 8, 12 - 17		
1	1122 080 1816	1	Fan housing (1,3,4,5)	2 - 7		
2	1122 084 6502	1	Axle			
3	1110 084 9102	1	Bushing			
4	0000 958 0607	1	Washer			
5	9416 868 6530	1	Hollow rivet 6.5x0.5x6.8			
6	1122 084 7809	1	Segment			
7	9022 341 0650	4	Spline screw IS-M4x10			
8	1122 190 0605	1	Rewind spring			
9	* 1122 084 7808	1	Segment			39176185
10	* 9022 313 0660	2	Spline screw IS-M4x12			39176185
11	* 1129 190 0600	1	Rewind spring			39176185
12	1122 195 0400	1	Rope rotor			
13	1119 162 8925	1	Washer Ø 12 mm			
14	1124 195 7200	2	Pawl			
15	1124 195 3500	1	Spring			
16	1122 190 3400	1	Starter grip ElastoStart Ø 4,5 mm	17		
17	1122 190 2900	1	Starter rope Ø 4.5 mm			
	0000 930 2268	1	Starter rope Ø 4.5mm / 28 pieces (B)			
18	1122 080 2102	1	Fan housing with rewind starter available in Brazil only (2)	2 - 8, 12 - 17		
19	* 1121 195 3400	1	Starter grip			352059167
20	* 1107 195 8200	1	Starter rope Ø 4.5x1000 mm			352059167
	* 0000 930 2200	1	Starter rope Ø 4.5 mm x 30.5 m (A,B)			352059167
	* 0000 930 2213	1	Starter rope Ø 4.5 mm x 60.8 m (A,B)			
21	9022 371 1020	3	Spline screw IS-M5x20			
22	1122 084 8207	1	Cover plate (B)			39176186
23	9022 341 0650	2	Spline screw IS-M4x10 (B)			39176186

(1) 066, (2) 066 BR, (3) 066 M, (4) 066 MR, (5) 066 W

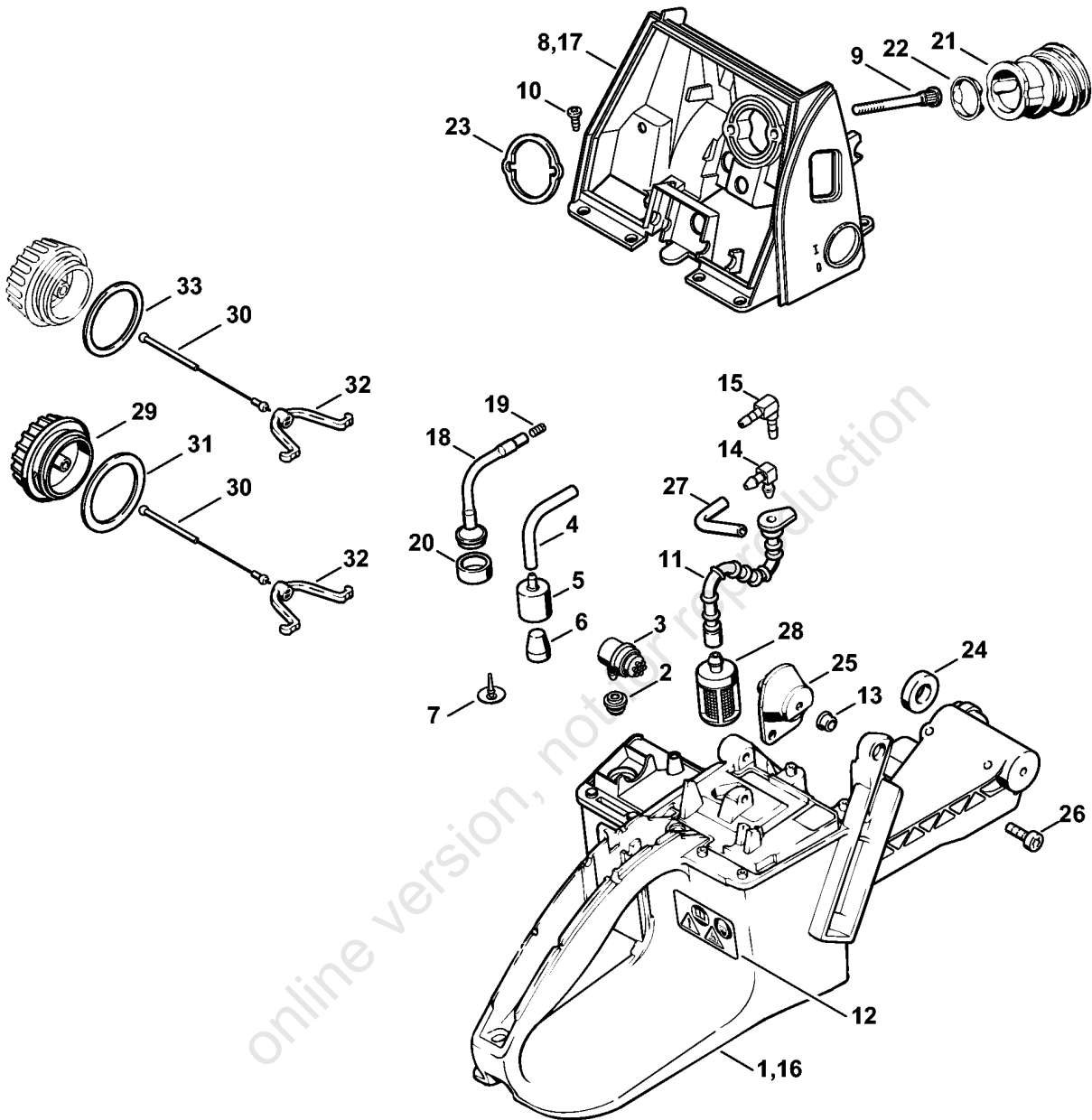
**Rewind starter**

Reference	Item number	Qty	Description	Contains	Up to	From Machine
24	* 0000 967 2035	1	Nameplate STIHL		39176185	

online version, not for reproduction



**Tank housing**



(1) 066, (2) 066 BR, (3) 066 M, (4) 066 MR, (5) 066 W

## Tank housing

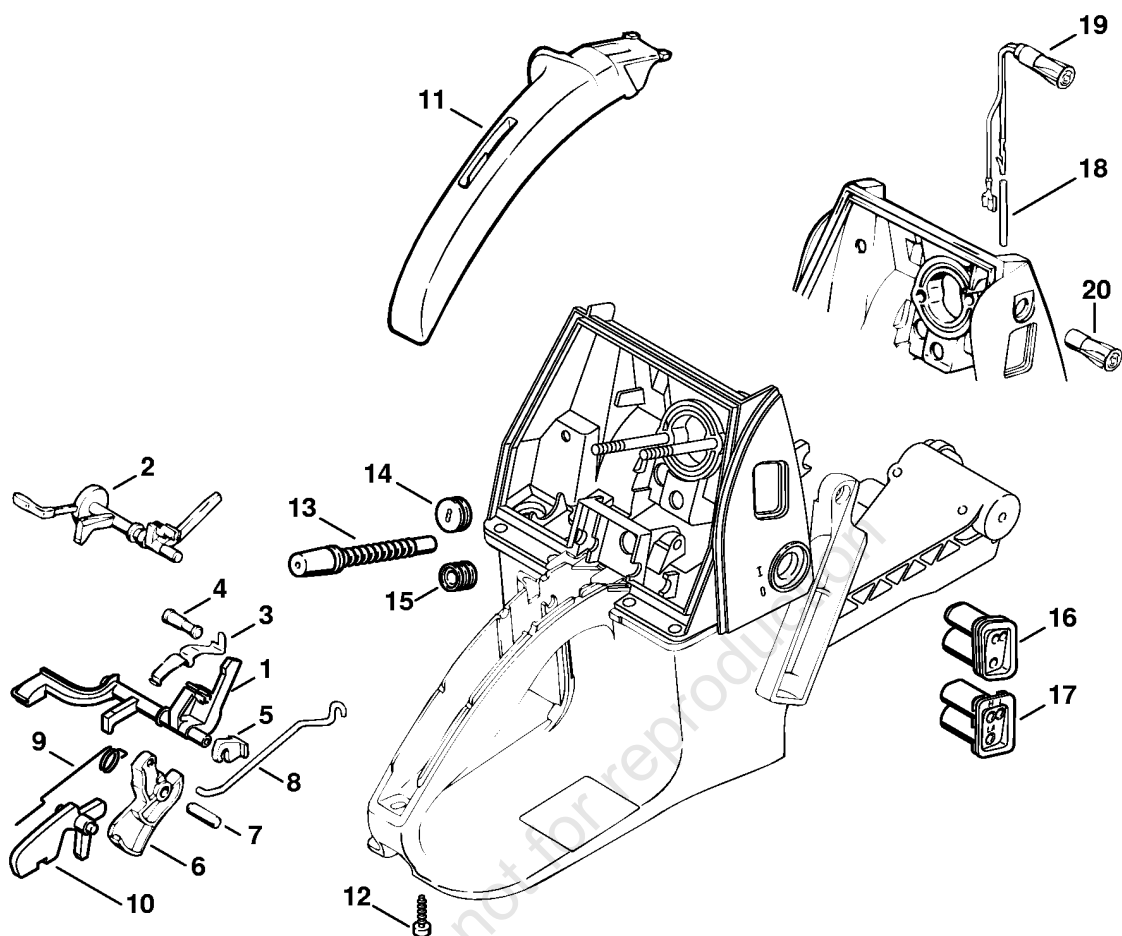
Reference	Item number	Qty	Description	Contains	Up to	Technical Information
1	1122 350 0826	1	Tank housing	2, 3, 8 - 14		
2	1122 353 9200	1	Grommet			
3	0000 350 5802	1	Tank vent			
4	* 1122 350 5803	1	Tank vent	5		
5	* 1122 353 9102	1	Connector			
6	* 1122 358 1800	1	Filter			
7	* 1110 353 1600	1	Valve			
8	1122 120 0104	1	Carburetor housing	9		
9	1122 122 6602	2	Collar screw			
10	9104 003 0650	7	Self-tapping screw P4x10			
11	1124 358 7700	1	Hose			
12	0000 967 7247	1	Warning pictogram MS			
13	0000 963 0808	1	Bushing			
14	4224 122 3900	1	Elbow connector			
15	* 1122 353 2600	1	Elbow connector			
16	* 1122 350 0827	1	Tank housing	7, 9 - 13, 17 - 26	39176185	
17	* 1122 120 0102	1	Carburetor housing	9, 21 - 23	39176185	
18	* 1122 350 5851	1	Tank vent	19, 20	39176185	
19	* 1120 358 8105	1	Vent insert		39176185	
20	* 1122 353 0200	1	Clamp		39176185	
21	1122 141 2201	1	Manifold			
22	1122 141 1805	1	Sleeve			
23	1128 121 8600	1	Washer			
24	1128 791 8400	1	Ring			
25	1122 790 9920	1	Annular buffer 1122/20			
26	9022 341 0980	1	Spline screw IS-M5x16			
27		1	Hose 3.1x5.7x52 mm, R5 (D)			
	0000 937 5004	1	Hose 3.1x5.7 mm x 1 m R5 (A,B)			
28	0000 350 3518	1	Pickup body			
29	0000 350 0509	1	Filler cap	30, 31		
30	0000 350 0900	1	Rope			
31	0000 359 1203	1	Sealing ring			
32	0000 353 0600	1	Hook			

(1) 066, (2) 066 BR, (3) 066 M, (4) 066 MR, (5) 066 W

**Tank housing**

Reference	Item number	Qty	Description	Contains	Up to	Technical Information
33	* 0000 359 1230	1	Sealing ring			44.2007

online version, not for reproduction



137ET069 SC

(1) 066, (2) 066 BR, (3) 066 M, (4) 066 MR, (5) 066 W

## Throttle control

Reference	Item number	Qty	Description	Contains	Up to
1	1122 182 0902	1	Switch shaft		
2	* 1122 180 0905	1	Switch shaft		
3	1130 442 1602	1	Contact spring		39176185
4	1122 442 2500	1	Axle		
5	1122 182 2100	1	Support		
6	1122 180 1500	1	Throttle trigger	7	
7	9371 470 2600	1	Cylindrical pin 5x16		
8	1122 182 1502	1	Throttle rod		
9	1117 182 4500	1	Torsion spring		
10	1117 182 0805	1	Lockout lever		
11	1122 791 0600	1	Handle molding		
12	9099 021 2810	1	Self-tapping screw 3.9x19		
13	1127 141 8600	1	Impulse hose		
14	0000 989 0812	1	Grommet		
15	1122 182 0700	1	Grommet (4)		
16	1122 123 7501	1	Grommet (1,2,3,5)		
17	1122 123 7503	1	Grommet		
18	* 1121 442 0402	1	Insulating hose 35 mm / 1.4"		31067163
19	* 1122 400 5000	1	LED		31067163
20	* 1122 432 2300	1	Plug		31067163



## Handlebar

Reference	Item number	Qty	Description	Contains	Up to	Technical Information
1	1124 121 9100	1	Bushing			
2	1122 120 0621	1	Carburetor WJ-67B (1,3,5)			
3	1122 120 0623	1	Carburetor WJ-76B (2)			
4	1122 120 0618	1	Carburetor WJ-69C USA, CDN (4)			
5	1128 430 6002	1	Heating element	6, 7		
6	1128 430 0501	1	Switch	7		
7	1118 431 6700	1	Terminal socket (C)			
8	1121 442 0402	2	Insulating hose 35 mm / 1.4"			
9	* 1128 434 5101	1	Heating element	10	148206168	
10	* 1118 431 6600	1	Terminal pin (C)		148206168	
11	* 1122 122 9300	1	Clip		148206168	
12	1122 121 7000	1	Baffle			
13	9210 260 0700	2	Hexagon nut M5			
14	9771 021 2620	1	Hose clip Ø 36x5			
15	1122 790 1750	1	Handlebar (1,2,3)	16		
16		1	Hose 460 mm / 18 1/8" (D) (1,2,3)			
	0000 791 2009	1	Handle hose Ø 19 mm x 5 m / 3/4x197" (B) (1,2,3)			
17	9074 478 4435	2	Pan head self-tapping screw IS-P6x19 (1,2,3)			
18	9074 478 4475	2	Pan head self-tapping screw IS-P6x21.5 (1,2,3)			
19	* 9074 478 4675	2	Pan head self-tapping screw IS-P6x32.5 (1,2,3)		133917064	
20	* 1124 791 5105	1	Handlebar stiffener (1,2,3)		133917064	
21	1122 790 3611	1	Wrap around handlebar (4)	22, 23, 27 - 29		
22		1	Handle hose 220 mm / 8 5/8" (D) (4)			
23		1	Handle hose 380 mm / 15" (D) (4)			
24	9074 478 4435	2	Pan head self-tapping screw IS-P6x19 (4)			

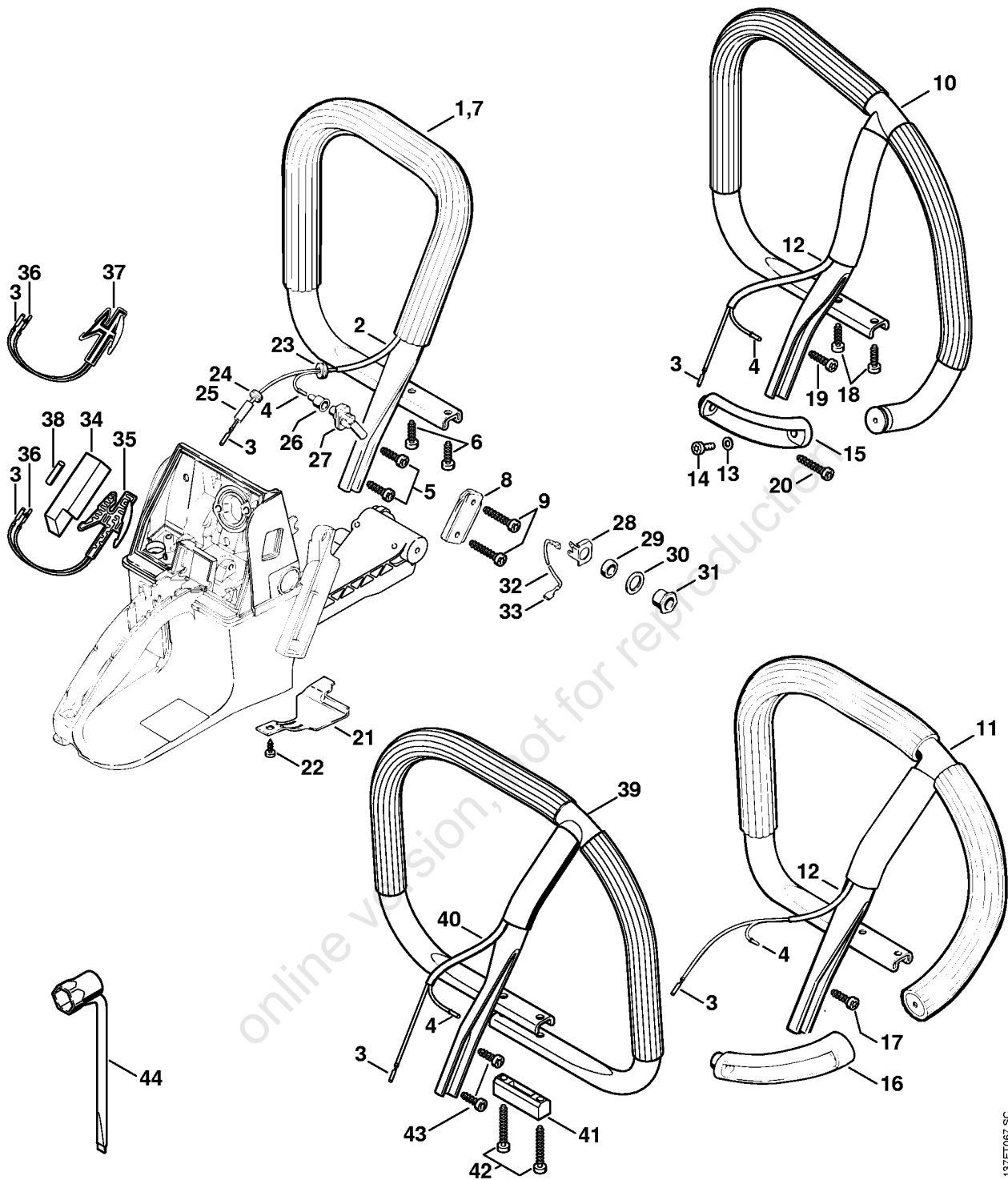
(1) 066, (2) 066 BR, (3) 066 M, (4) 066 MR, (5) 066 W

## Handlebar

Reference	Item number	Qty	Description	Contains	Up to	Technical Information
25	9074 478 4475	1	Pan head self-tapping screw IS-P6x21.5 (4)			
26	9074 478 4675	1	Pan head self-tapping screw IS-P6x32.5 (4)			
27	9022 371 1020	1	Spline screw IS-M5x20 (4)			
28	9307 021 0120	1	Washer 5.3 (4)			
29	1122 791 5501	1	Elbow connector (4)			
30	* 1122 791 5500	1	Elbow connector (4)			10.2008
	* 1122 790 3650	1	Wrap around handlebar (4)	21 - 23, 27 - 29		10.2008
31	*	1	Handle hose 265 mm / 10 7/16" (D) (4)			10.2008
32	*	1	Handle hose 370 mm / 14 9/16" (D) (4)			10.2008
33	* 9074 478 4435	1	Pan head self-tapping screw IS-P6x19 (4)			10.2008
34	1122 351 0901	1	Guard (4)			
35	9074 478 2970	1	Pan head self-tapping screw IS-P4x10 (4)			
	1122 007 1003	1	Set wrap around handlebar (B) CDN	36 - 42		
36		1	Wrap around handlebar (B,C) CDN	37, 38		
37		1	Handle hose 420 mm / 16 1/2" (B) CDN			
38		1	Handle hose 240 mm / 9 1/2" (B) CDN			
39	1122 791 4500	1	Spacer (B) CDN			
40	9074 478 4705	2	Pan head self-tapping screw IS-P6x40 (B) CDN			
41	9074 478 4435	2	Pan head self-tapping screw IS-P6x19 (B) CDN			
42	1124 890 3400	1	Combination wrench (B) CDN			



**Handlebar (Heating)**



(1) 066, (2) 066 BR, (3) 066 M, (4) 066 MR, (5) 066 W

## Handlebar (Heating)

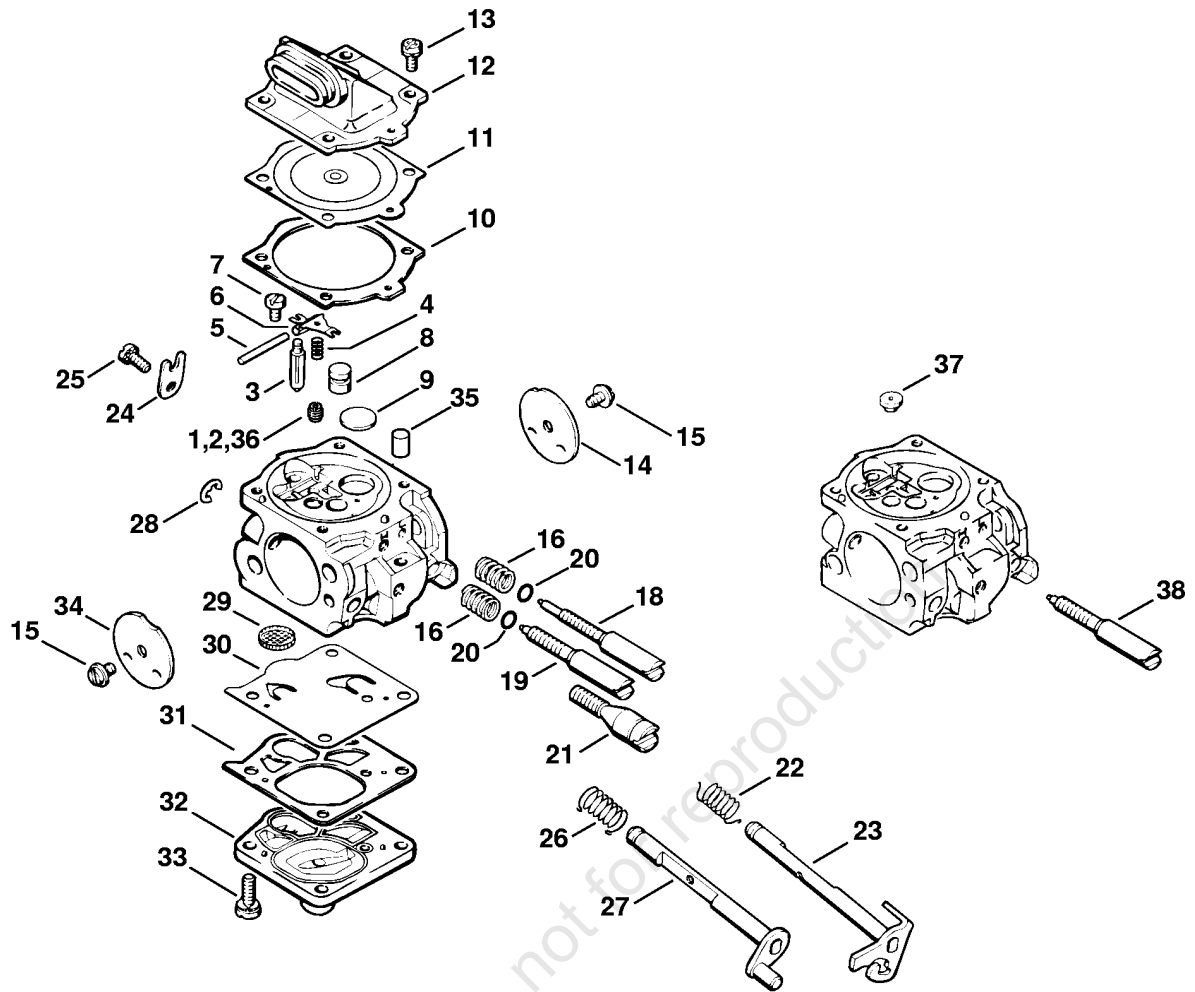
Reference	Item number	Qty	Description	Contains	Up to	Technical Information
1	1122 790 1752	1	Handlebar (5)	2 - 4		
2	1124 442 0400	1	Insulating hose 160 mm / 6.3" (5)			
3	1118 431 6700	1	Terminal socket (C) (5)			
4	0000 442 7000	1	Contact sleeve (C) (5)			
5	9074 478 4475	2	Pan head self-tapping screw IS-P6x21.5 (5)			
6	9074 478 4435	2	Pan head self-tapping screw IS-P6x19 (5)			
7	* 1122 790 1751	1	Handlebar (5)		33917065	
8	* 1124 791 5105	1	Handlebar stiffener (5)		133917064	
9	* 9074 478 4675	2	Pan head self-tapping screw IS-P6x32.5 (5)		133917064	
10	1122 790 3610	1	Wrap around handlebar	3, 4, 12 - 15		
	* 1122 790 3651	1	Wrap around handlebar	3, 4, 10, 12 - 15		10.2008
11	* 1122 790 3604	1	Wrap around handlebar	3, 4, 12 - 15	33917065	
12	1121 442 0403	1	Insulating hose 130 mm / 5.1"			
13	9307 021 0120	1	Washer 5.3			
14	9022 371 1020	1	Spline screw IS-M5x20			
15	1122 791 5501	1	Elbow connector			
16	* 1122 791 5500	1	Elbow connector			10.2008
17	* 9074 478 4435	1	Pan head self-tapping screw IS-P6x19			10.2008
18	9074 478 4435	2	Pan head self-tapping screw IS-P6x19			
19	9074 478 4475	1	Pan head self-tapping screw IS-P6x21.5			
20	9074 478 4675	1	Pan head self-tapping screw IS-P6x32.5			
21	1122 351 0901	1	Guard			
22	9074 478 2970	1	Pan head self-tapping screw IS-P4x10			

(1) 066, (2) 066 BR, (3) 066 M, (4) 066 MR, (5) 066 W

## Handlebar (Heating)

Reference	Item number	Qty	Description	Contains	Up to	Technical Information
23	0000 989 0808	1	Grommet (5)			
24	0000 989 0813	1	Grommet (5)			
25	1121 442 0406	1	Insulating hose 40 mm / 1.6" (5)			
26	1110 432 9200	1	Grommet (5)			
27	1110 430 0202	1	Stop switch (5)			
28	1122 431 2700	1	Twin connector tag (5)			
29	0000 961 1406	1	Ring (5)			
30	0000 958 1406	1	Washer (5)			
31	1118 432 2200	1	Hexagon nut M12 (5)			
32	1122 440 2205	1	Ground wire (5)	33		
33	0751 030 8953	2	Terminal socket 4.8-1 (C) (5)			
34	1121 791 9000	1	Clamp (5)			
35	1128 434 5000	1	Heating element (5)	3, 36		
36	1118 431 6600	1	Terminal pin (C) (5)			
37	* 1125 434 5000	1	Heating element (5)		33917065	
38	1121 442 0402	2	Insulating hose 35 mm / 1.4" (5)			
	1122 007 1022	1	Set wrap around handlebar (B) CDN	3, 4, 39 - 44		
39		1	Wrap around handlebar (B,C) CDN	3, 4, 40		
40	1121 442 0403	1	Insulating hose 130 mm / 5.1" (B) CDN			
41	1122 791 4500	1	Spacer (B) CDN			
42	9074 478 4705	2	Pan head self- tapping screw IS- P6x40 (B) CDN			
43	9074 478 4435	2	Pan head self- tapping screw IS- P6x19 (B) CDN			
44	1124 890 3400	1	Combination wrench (B) CDN			

**Carburetor WJ-65, WJ-67, WJ-76**



(1) 066, (2) 066 BR, (3) 066 M, (4) 066 MR, (5) 066 W

## Carburetor WJ-65, WJ-67, WJ-76

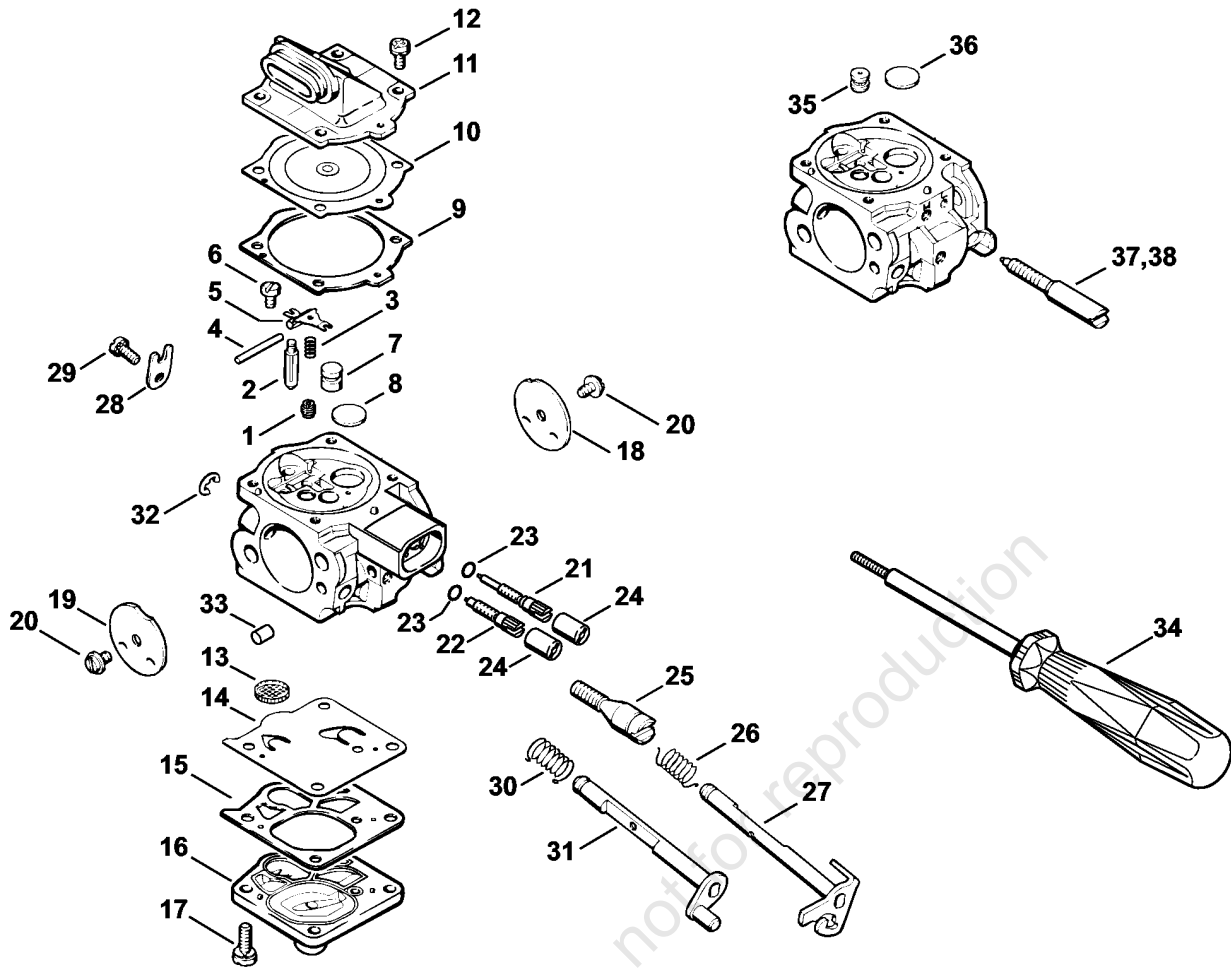
Reference	Item number	Qty	Description	Contains	Up to
	1122 120 0621	1	Carburetor WJ-67B (1,3,5)	1, 3 - 35	
1	1122 121 5604	1	Fixed jet 0.64 (1,3,5)		
	1122 120 0623	1	Carburetor WJ-76B (2)	2 - 35	
2	1122 121 5607	1	Fixed jet 0.74 (2)		
3	1110 121 5100	1	Inlet needle (1,2,3,5)		
4	1117 122 3005	1	Spring (1,2,3,5)		
5	1117 121 9200	1	Spindle (1,2,3,5)		
6	1117 121 5000	1	Inlet control lever (1,2,3,5)		
7	1114 122 7400	1	Round head screw (1,2,3,5)		
8	1115 121 5401	1	Valve jet (1,2,3,5)		
9	1122 121 0700	1	Cup plug (1,2,3,5)		
10	1116 129 0900	1	Gasket (1,2,3,5)		
11	1117 121 4700	1	Metering diaphragm (1,2,3,5)		
12	1122 121 0805	1	End cover (1,2,3,5)		
13	1121 122 7101	4	Screw (1,2,3,5)		
14	1115 121 3301	1	Throttle shutter (1,2,3,5)		
15	1115 122 7400	2	Round head screw (1,2,3,5)		
16	1128 122 3003	2	Spring (1,2,3,5)		
18	1122 122 6802	1	Low speed screw (1,2,3,5)	20	
19	1122 122 6706	1	High speed screw (1,2,3,5)	20	
20		2	Sealing ring (D) (1,2,3,5)		
21	1122 122 6200	1	Idle speed screw (1,2,3,5)		
22	1122 122 3200	1	Torsion spring (1,2,3,5)		
23	1122 120 7101	1	Throttle shaft with lever (1,2,3,5)		
24	1110 122 9300	1	Clip (1,2,3,5)		
25	1106 122 7400	1	Round head screw (1,2,3,5)		
26	1122 122 3205	1	Torsion spring (1,2,3,5)		
27	1122 120 7200	1	Choke shaft with lever (1,2,3,5)		
28	1117 122 9000	1	E-clip (1,2,3,5)		
29	1114 121 7800	1	Strainer (1,2,3,5)		
30	1115 121 4800	1	Pump diaphragm (1,2,3,5)		
31	1115 129 1100	1	Gasket (1,2,3,5)		
32	1115 120 0800	1	End cover (1,2,3,5)		
33	1121 122 7101	4	Screw (1,2,3,5)		
34	1122 121 2900	1	Choke shutter (1,2,3,5)		
35	1122 121 7700	1	Clamp (1,2,3,5)		
36	1122 121 5603	1	Fixed jet 0.62 (B) High altitude (1,3,5)		

(1) 066, (2) 066 BR, (3) 066 M, (4) 066 MR, (5) 066 W

## Carburetor WJ-65, WJ-67, WJ-76

Reference	Item number	Qty	Description	Contains	Up to
	1122 007 1060	1	Set of carburetor parts (1,3,5)	10, 11, 30, 31	
	* 1122 120 0616	1	Carburetor WJ-65B (1,3,5)		39176185
37	* 1122 121 5601	1	Fixed jet 0.66 (1,3,5)		25872903
38	* 1122 122 6705	1	High speed screw (1,3,5)		25872903

online version, not for reproduction



137E1071 SC

(1) 066, (2) 066 BR, (3) 066 M, (4) 066 MR, (5) 066 W

## Carburetor WJ-69

Reference	Item number	Qty	Description	Contains	Up to
	1122 120 0618	1	Carburetor WJ-69C USA, CDN (4)	1 - 33	
1	1122 121 5603	1	Fixed jet 0.62 USA, CDN (4)		
2	1110 121 5100	1	Inlet needle USA, CDN (4)		
3	1117 122 3005	1	Spring USA, CDN (4)		
4	1117 121 9200	1	Spindle USA, CDN (4)		
5	1117 121 5000	1	Inlet control lever USA, CDN (4)		
6	1114 122 7400	1	Round head screw USA, CDN (4)		
7	1115 121 5401	1	Valve jet USA, CDN (4)		
8	1122 121 0700	1	Cup plug USA, CDN (4)		
9	1116 129 0900	1	Gasket USA, CDN (4)		
10	1117 121 4700	1	Metering diaphragm USA, CDN (4)		
11	1122 121 0805	1	End cover USA, CDN (4)		
12	1121 122 7101	4	Screw USA, CDN (4)		
13	1114 121 7800	1	Strainer USA, CDN (4)		
14	1115 121 4800	1	Pump diaphragm USA, CDN (4)		
15	1115 129 1100	1	Gasket USA, CDN (4)		
16	1115 120 0800	1	End cover USA, CDN (4)		
17	1121 122 7101	4	Screw USA, CDN (4)		
18	1115 121 3301	1	Throttle shutter USA, CDN (4)		
19	1122 121 2900	1	Choke shutter USA, CDN (4)		
20	1115 122 7400	2	Round head screw USA, CDN (4)		
21	1122 122 6803	1	Low speed screw USA, CDN (4)	23	
22	1122 122 6703	1	High speed screw USA, CDN (4)	23	
23		2	Sealing ring (D) USA, CDN (4)		
24	4203 121 2700	2	Cap USA, CDN (4)		
25	1122 122 6200	1	Idle speed screw USA, CDN (4)		
26	1122 122 3200	1	Torsion spring USA, CDN (4)		
27	1122 120 7101	1	Throttle shaft with lever USA, CDN (4)		
28	1110 122 9300	1	Clip USA, CDN (4)		
29	1106 122 7400	1	Round head screw USA, CDN (4)		
30	1122 122 3205	1	Torsion spring USA, CDN (4)		
31	1122 120 7200	1	Choke shaft with lever USA, CDN (4)		
32	1117 122 9000	1	E-clip USA, CDN (4)		
33	1122 121 7700	1	Clamp (4)		
34	5910 890 4500	1	Puller (B) (4)		
	1122 007 1060	1	Set of carburetor parts USA, CDN (4)	9, 10, 14, 15	
35	* 1122 121 5602	1	Fixed jet 0.72 (4)		31067137

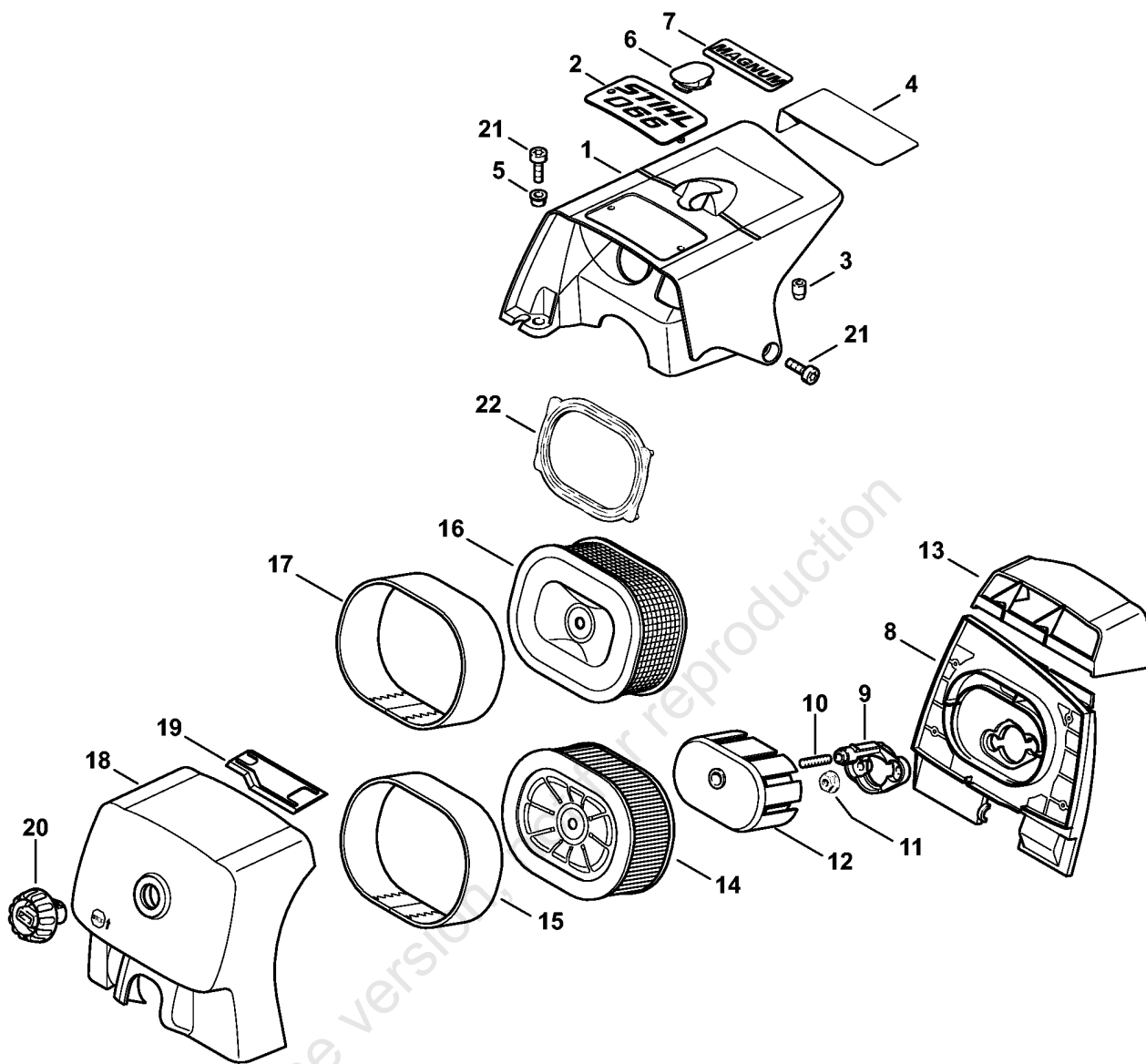
(1) 066, (2) 066 BR, (3) 066 M, (4) 066 MR, (5) 066 W



**Carburetor WJ-69**

Reference	Item number	Qty	Description	Contains	Up to
36	* 1115 121 0700	1	Cup plug (4)		31067137
37	* 1122 122 6702	1	High speed screw (4)		31067137
38	* 1122 122 6705	1	High speed screw (4)		31067137

online version, not for reproduction

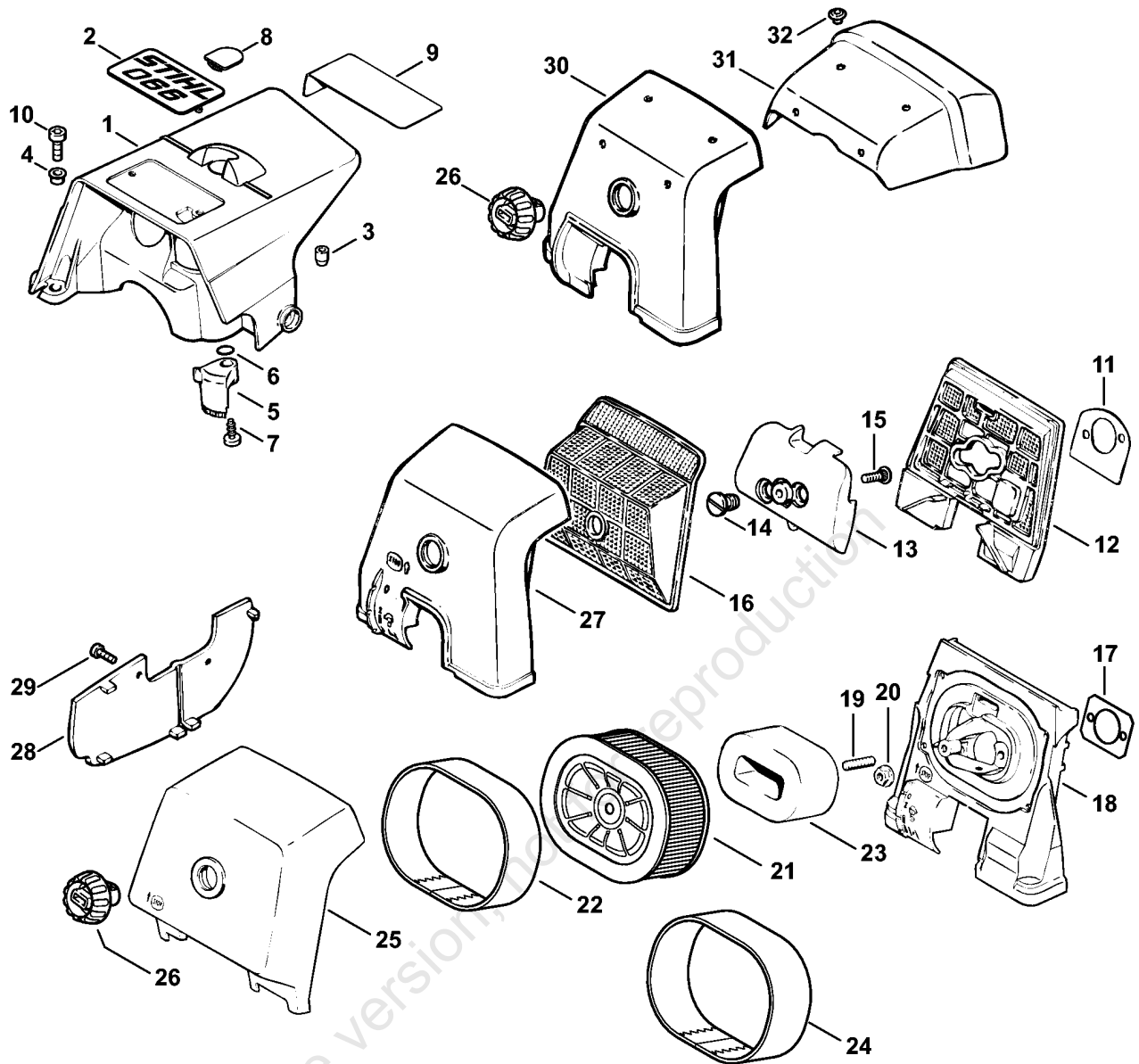


(1) 066, (2) 066 BR, (3) 066 M, (4) 066 MR, (5) 066 W

## Shroud, Air filter

Reference	Item number	Qty	Description	Contains	Technical Information
1	1122 080 1607	1	Shroud	2 - 5	
2	1122 967 1505	1	Model plate 066		
3	1121 084 7100	1	Cap		
4	1124 084 8300	1	Reflector foil		
5	0000 963 0808	3	Bushing		
6	1122 084 7101	1	Cap available in Brazil only		
7	0000 967 1593	1	Model plate Magnum		
8	1122 120 3402	1	Filter base		
9	1122 120 2200	1	Flange	10	
10	9121 319 0960	1	Stud M5x12x9		
11	9216 261 0700	2	Hexagon nut M5		
12	1122 121 6900	1	Baffle		
13	1122 141 6300	1	Air baffle		
14	0000 140 4402	1	Air filter HD2		
15	0000 141 0601	1	Prefilter (B)		
16	0000 120 1653	1	Air filter, wire mesh (B)		
17	* 0000 141 0300	1	Prefilter		47.2010
18	1122 140 1002	1	Filter cover	19, 20	
19	1122 141 4000	1	Slide		
20	1124 140 9500	1	Twist lock		
21	9022 341 0980	3	Spline screw IS-M5x16		
22	* 1124 129 0900	1	Gasket		

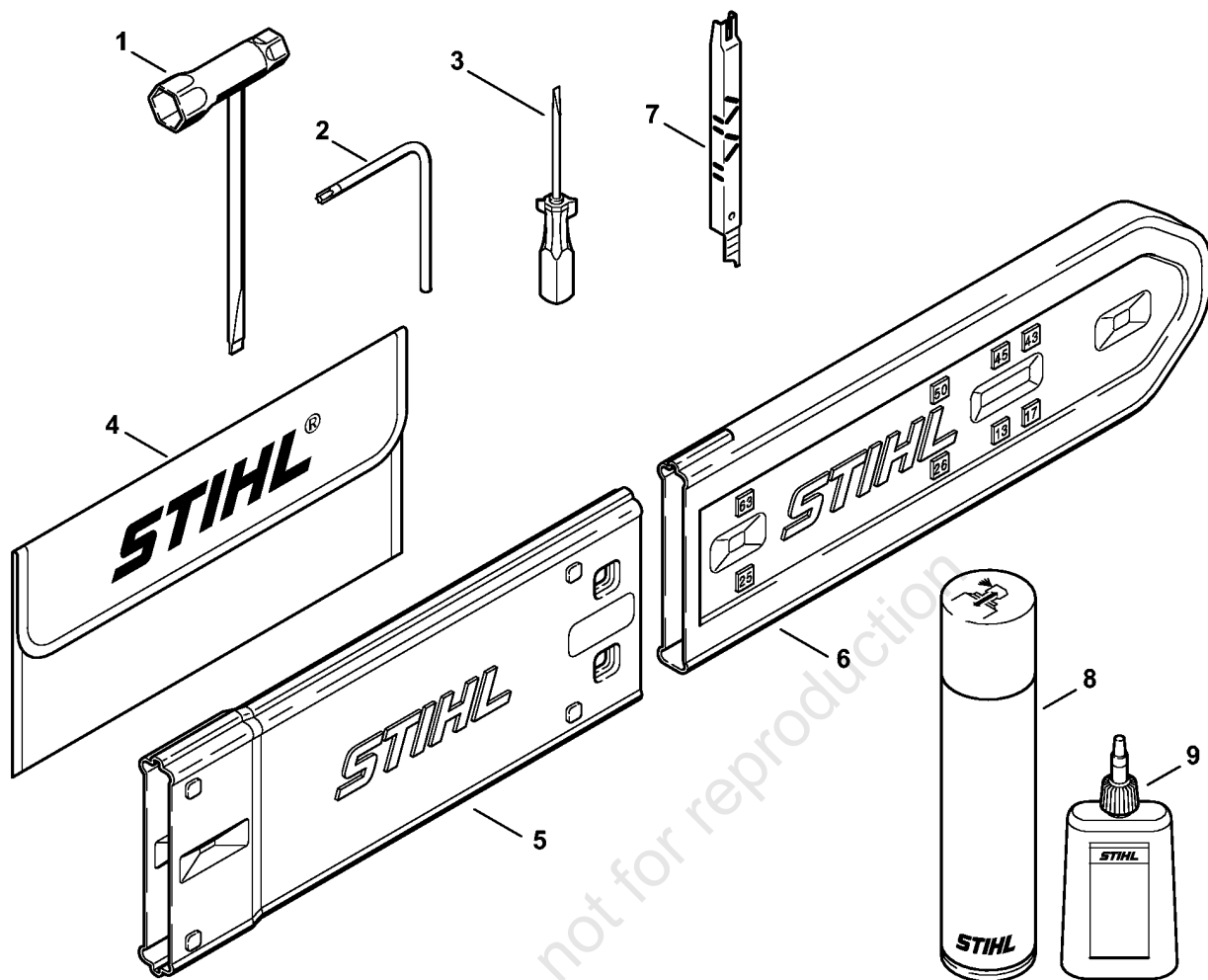
**Shroud, Air filter → X 39 176 185 (01.98)**



(1) 066, (2) 066 BR, (3) 066 M, (4) 066 MR, (5) 066 W

**Shroud, Air filter → X 39 176 185 (01.98)**

Reference	Item number	Qty	Description	Contains	Up to
1	* 1122 080 1606	1	Shroud	2 - 9	39176185
2	* 1122 967 1504	1	Model plate 066		39176185
3	* 1121 084 7100	1	Cap		39176185
4	* 0000 963 0808	3	Bushing		39176185
5	* 1125 080 8000	1	Shutter	6, 7	39176185
6	* 9646 945 0590	1	O-ring 8x2		39176185
7	* 9099 021 3760	1	Self-tapping screw 4.8x13		39176185
8	* 1122 084 7100	1	Cap		39176185
9	* 1124 084 8300	1	Reflector foil		39176185
10	* 9022 341 0980	3	Spline screw IS-M5x16		39176185
11	* 1122 121 7000	1	Baffle		39176185
12	* 1122 120 1621	1	Air filter		39176185
13	* 1122 120 4101	1	Baffle	14, 15	39176185
14	* 1124 141 8300	2	Slotted nut		39176185
15	* 1122 122 6605	1	Collar screw		39176185
16	* 1122 120 1615	1	Air filter		39176185
	* 1122 007 1031	1	Air filter kit HD	17 - 21, 25, 26	39176185
17	* 1128 129 1100	1	Gasket		39176185
18	* 1122 120 3411	1	Filter base		39176185
19	* 9121 319 0960	1	Stud M5x12x9		39176185
20	* 9216 261 0700	2	Hexagon nut M5		39176185
21	* 0000 140 4402	1	Air filter HD2		39176185
22	* 0000 141 0601	1	Prefilter (B)		39176185
23	* 0000 124 0800	1	Filter insert		39176185
24	* 0000 141 0300	1	Prefilter		39176185
25	* 1122 140 1001	1	Filter cover	26	39176185
26	* 1124 140 9500	1	Twist lock		39176185
27	* 1122 140 1900	1	Carburetor box cover		39176185
	* 1122 007 1027	1	Intake air preheating kit (B)	26, 28 - 32	39176185
28	* 1122 084 8206	1	Cover plate (B)		39176185
29	* 9022 313 0660	3	Spline screw IS-M4x12 (B)		39176185
30	* 1122 140 1901	1	Carburetor box cover (B)	26, 31, 32	39176185
31	* 1122 141 2500	1	Cover (B)		39176185
32	* 9438 929 4040	4	Blind rivet 5x8 (B)		39176185



(1) 066, (2) 066 BR, (3) 066 M, (4) 066 MR, (5) 066 W

## Tools, Extras

Reference	Item number	Qty	Description	Contains
	1121 890 1400	1	Tool kit	1 - 4
1	1129 890 3401	1	Combination wrench	
2	0812 370 1000	1	Screwdriver T27x120x70	
3	0000 890 2300	1	Screwdriver (1,2,3,4,5)	
4	0000 891 0810	1	Tool roll (1,2,3,4,5)	
5	0000 792 9132	1	Chain scabbard extension up to 63 cm (C)	
6	0000 792 9129	1	Chain scabbard	
7	1110 893 4000	1	Filing gauge (B)	
8	* 0781 867 7540	1	HD filter oil 100 ml	
9	* 0781 867 8540	1	HD filter oil 300 ml	

online version, not for reproduction