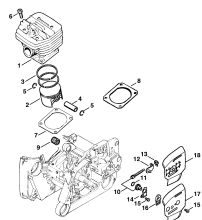
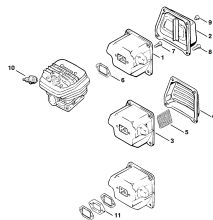


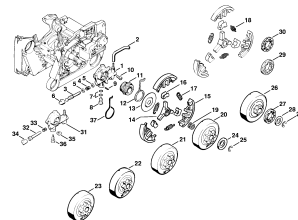
Crankcase



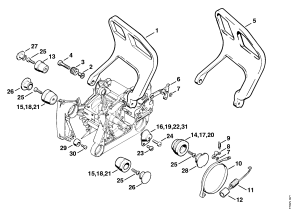
Cylinder



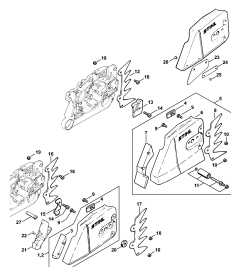
Muffler



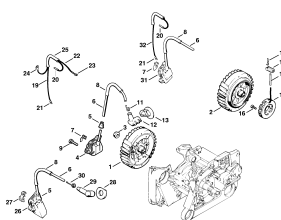
Oil pump, Clutch



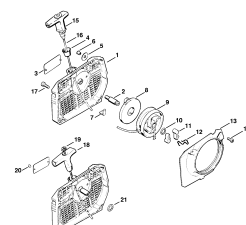
AV system



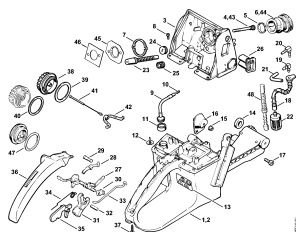
Chain sprocket cover



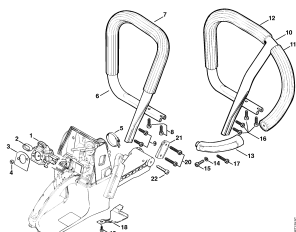
Ignition system



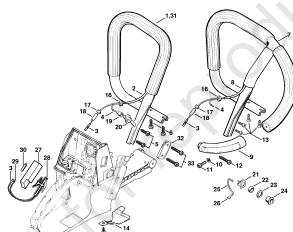
Rewind starter



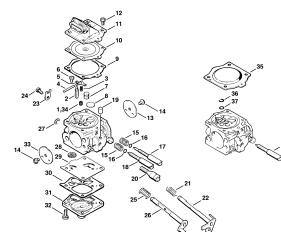
Tank housing



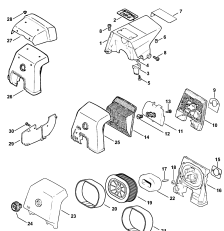
Handlebar



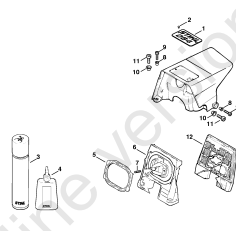
Handlebar (Heating)



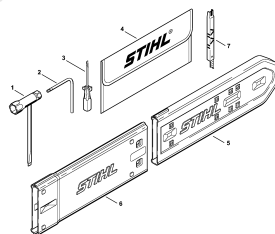
Carburetor WJ-65



Shroud, Air filter



Shroud, Air filter → X 33  
459 522 (08.1997)



Tools, Extras

**Description**

Crankcase

Cylinder

Muffler

Oil pump, Clutch

AV system

Chain sprocket cover

Ignition system

Rewind starter

Tank housing

Handlebar

Handlebar (Heating)

Carburetor WJ-65

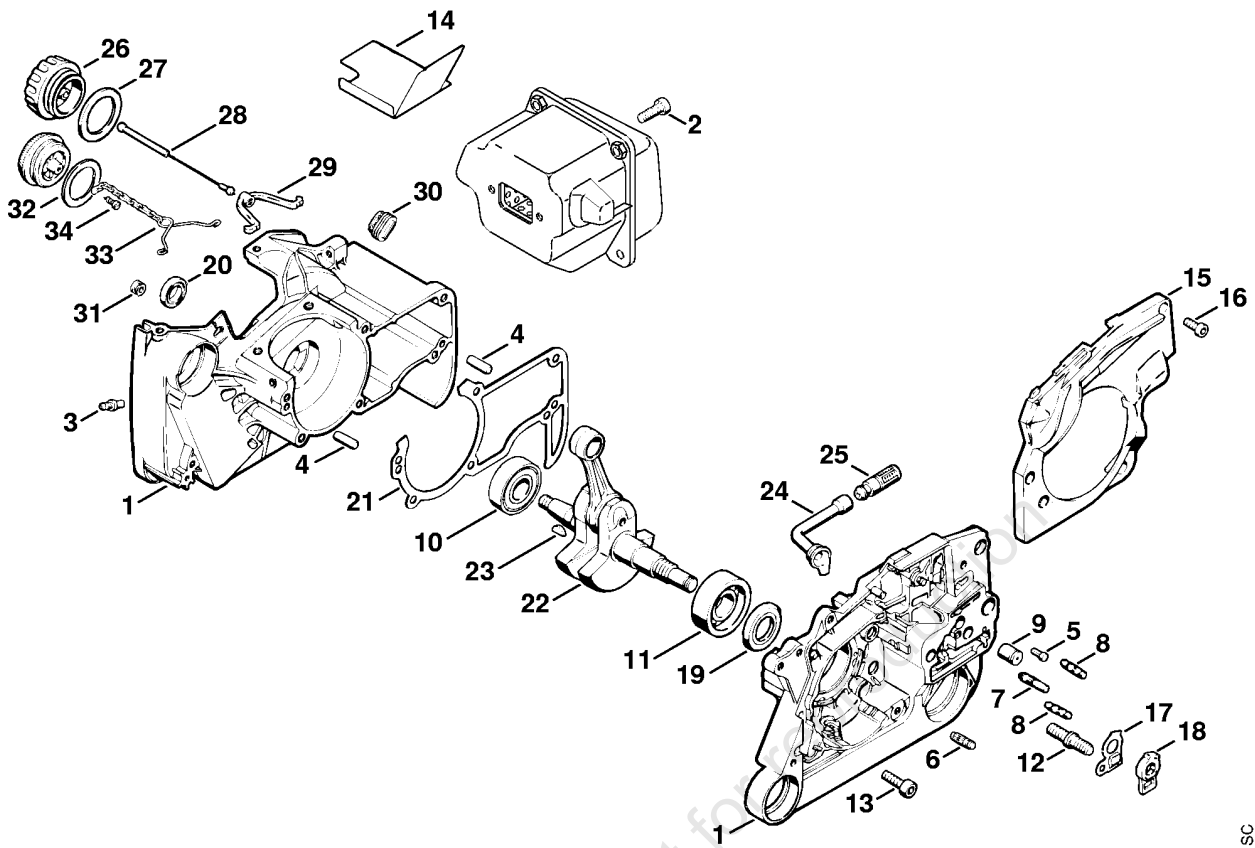
Shroud, Air filter

Shroud, Air filter → X 33 459 522 (08.1997)

Tools, Extras

online version, not for reproduction

**Crankcase**



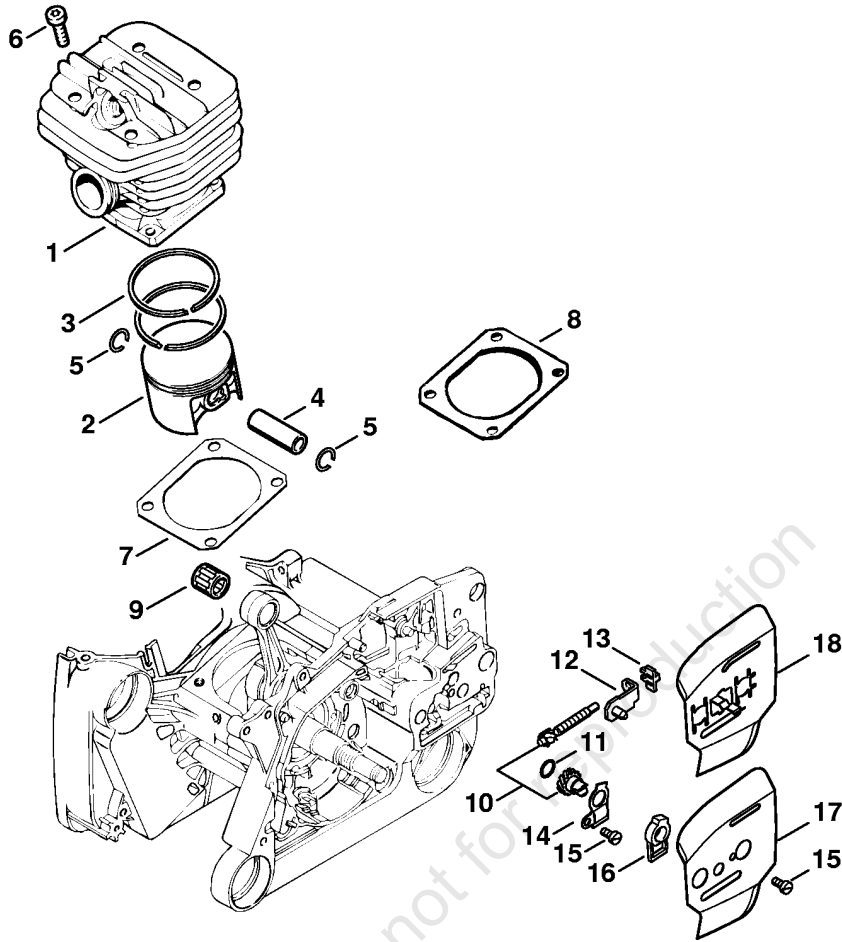
134ET089 SC

(1) 064, (2) 064 R, (3) 064 RW, (4) 064 W

## Crankcase

Reference	Item number	Qty	Description	Contains	Technical Information
1	1122 020 2101	1	Crankcase	2 - 18	
2	9022 341 1300	2	Spline screw IS-M6x20		
3	0000 988 5211	1	Connector		
4	9371 470 2610	2	Cylindrical pin 5x18		
5	0000 974 1200	1	Notched pin 2.6x8		
6	1120 162 5200	1	Pin		
7	1121 162 5205	1	Pin		
8	1121 162 5200	2	Pin		
9	1128 640 9100	1	Valve		
10	9503 003 6676	1	Grooved ball bearing 6203		
11	9523 003 4555	1	Grooved ball bearing 17x40x14		
12	0000 953 6605	2	Collar screw M8		
13	9022 371 1020	6	Spline screw IS-M5x20		
14	1128 084 8302	1	Reflector foil		
15	1122 021 1105	1	Cover		
16	9022 313 0660	4	Spline screw IS-M4x12		
17	1122 664 2200	1	Cover plate		
18	1122 664 4500	1	Support		
19	9640 003 1850	1	Oil seal DIN3760-BS17x32,9x3,6		
20	9640 003 1355	1	Oil seal 13.5x20x4		
21	1122 029 0500	1	Gasket		
22	1122 030 0407	1	Crankshaft	23	25.2005
23	1120 036 8500	1	Woodruff key 2x3.7		
24	1122 647 9400	1	Hose		
25	1117 640 3800	1	Pickup body		
26	0000 350 0520	1	Filler cap	27 - 29	
27	0000 359 1220	1	Sealing ring		
28	0000 350 0900	1	Rope		
29	0000 353 0600	1	Hook		
30	1122 021 1900	1	Plug		
31	1125 084 8900	1	Grommet		
	1122 007 1051	1	Set of gaskets	14, 19 - 21	
32	* 0000 992 6302	1	Sealing ring		
33	* 1117 350 0905	1	Filler cap retainer		
34	* 9099 021 2360	1	Self-tapping screw 3.5x9.5		

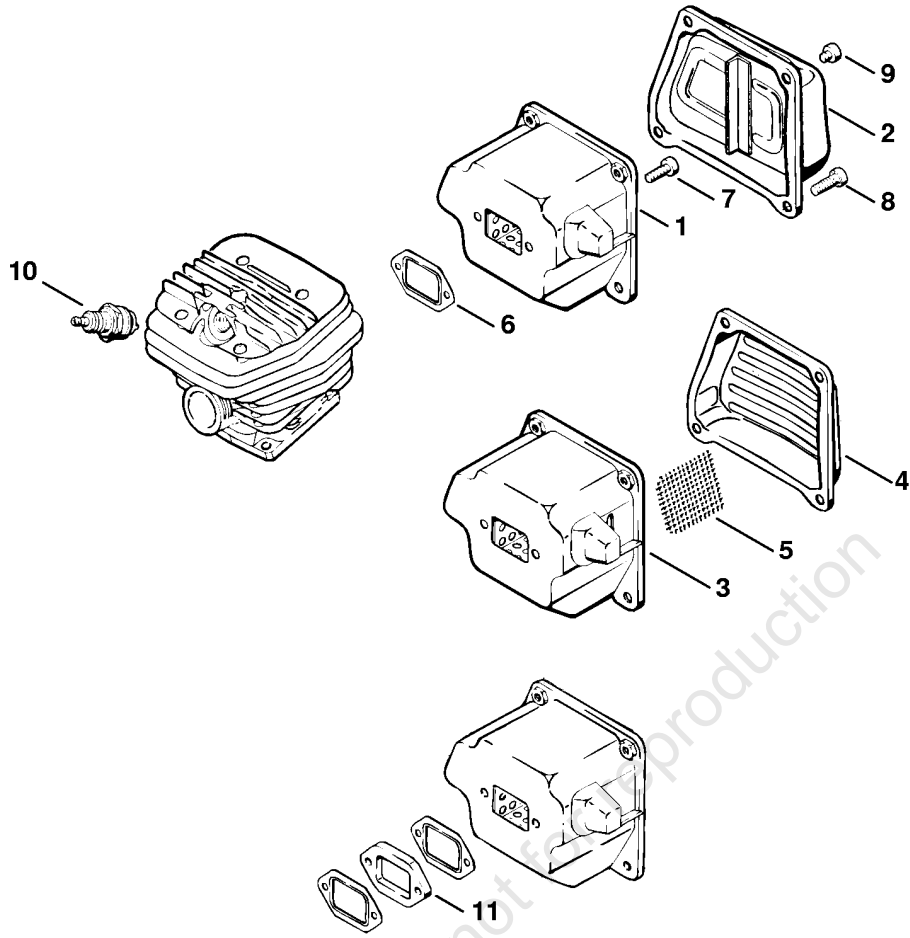
(1) 064, (2) 064 R, (3) 064 RW, (4) 064 W



(1) 064, (2) 064 R, (3) 064 RW, (4) 064 W

## Cylinder

Reference	Item number	Qty	Description	Contains
1	1122 020 1203	1	Cylinder with piston Ø 52 mm	2 - 5
2	1122 030 2001	1	Piston Ø 52 mm	3 - 5
3	1122 034 3000	2	Piston ring Ø 52x1.2 mm	
4	1108 034 1501	1	Piston pin 12x8x33	
5	9463 650 1200	2	Snap ring 12x1	
6	9022 371 1020	4	Spline screw IS-M5x20	
7	1122 029 2300	1	Cylinder gasket 0.5 mm	
8	1122 029 2305	1	Cylinder gasket 1 mm low compression	
9	9512 003 3281	1	Needle cage 12x17x13	
10	1125 007 1021	1	Spur gear / chain adjusting screw kit	11
11	9646 945 0490	1	O-ring 7x1.5	
12	1125 640 1900	1	Tensioner slide	
13	1125 664 1400	1	Thrust pad	
14	1122 664 2200	1	Cover plate	
15	9041 216 0630	2	Pan head screw M4x8	
16	1122 664 4500	1	Support	
17	1128 664 1001	1	Inner side plate 0.9 mm	
18	1128 664 1002	1	Inner side plate (B)	
	1122 007 1051	1	Set of gaskets	7



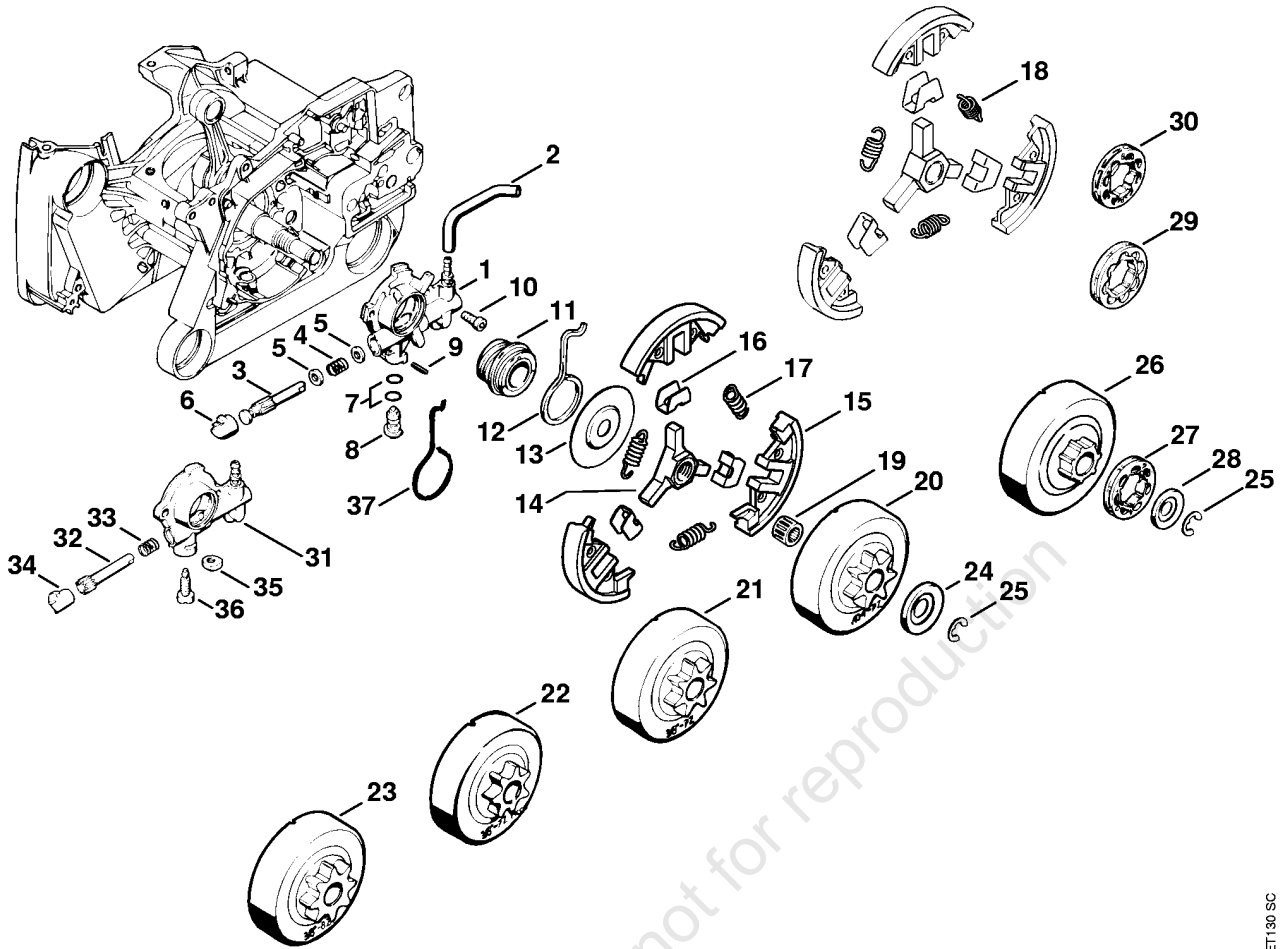
134ET091 SC

## Muffler

Reference	Item number	Qty	Description	Contains
1	1122 140 0602	1	Muffler Standard	2
2	1122 145 0801	1	Exhaust casing Standard	
3	1122 140 0609	1	Muffler USA, CDN, AUS, BR	4, 5
4	1122 145 0807	1	Exhaust casing USA, CDN, AUS, BR	
5	1122 141 9001	1	Screen USA, AUS, CDN	
6	1125 149 0601	1	Muffler gasket	
7	9022 341 0980	2	Spline screw IS-M5x16	
8	9022 341 1300	2	Spline screw IS-M6x20	
9	9022 341 0910	2	Spline screw IS-M5x6	
10	1110 400 7005	1	Spark plug Bosch WSR 6 F	
10	0000 400 7000	1	Spark plug NGK BPMR7A	
	1122 007 1051	1	Set of gaskets	6
11	* 1122 145 1200	1	Flange	



**Oil pump, Clutch**



134ET130 SC

(1) 064, (2) 064 R, (3) 064 RW, (4) 064 W

## Oil pump, Clutch

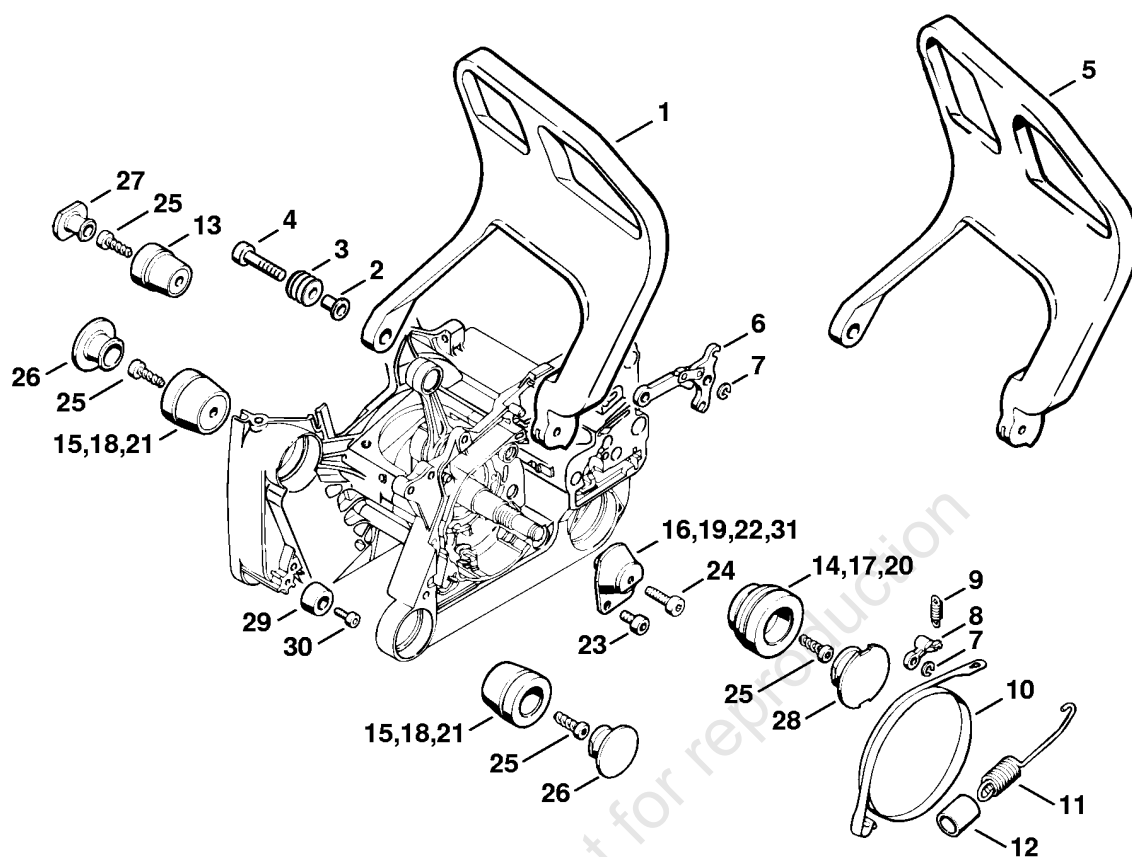
Reference	Item number	Qty	Description	Contains	Up to	Technical Information
1	1122 640 3204	1	Oil pump (0.9 mm stroke)	2 - 9		
	1124 007 1010	1	Oil hose kit	2		
2		1	Oil hose 3,1x5,7x300 mm (D)			
3	1122 647 0601	1	Pump piston			
4	0000 997 0629	1	Compression spring			
5	0000 958 0611	2	Washer			
6	1125 647 7002	1	Plug			
7	9646 945 0160	2	O-ring 4x2			
8	1128 647 4806	1	Control bolt			
9	9380 620 1090	1	Roll pin 2x10			
10	9022 313 0660	2	Spline screw IS-M4x12			
11	1122 640 7105	1	Worm	12		
12	1122 647 2401	1	Spring			
13	1122 162 1000	1	Cover washer 52 mm			
	1122 160 2002	1	Clutch	14 - 17		64.2005
14	1122 160 2300	1	Carrier			
15	1144 162 0802	3	Clutch shoe			10.2008
16	0000 162 3001	3	Retainer			
17	0000 997 0912	3	Tension spring			
18	* 0000 997 0911	3	Tension spring			10.2008
19	9512 933 2382	1	Needle cage 10x16x13			
20	1122 640 2001	1	Chain sprocket 0.404" 7T			
21	1122 640 2002	1	Chain sprocket 3/8" 7T			
22	1122 640 2006	1	Chain sprocket 3/8" 7T Picco			
23	1122 640 2000	1	Chain sprocket 3/8" 8T (B)			
24	0000 958 1029	1	Washer Ø 33 mm			
25	9460 624 0801	1	E-clip 8x1.3			
	1122 007 1000	1	Rim sprocket kit 3/8" 7T	25 - 28		
26		1	Clutch drum (D)			
27	0000 642 1223	1	Rim sprocket 3/8" 7T			
28	0000 958 1032	1	Washer Ø 27 mm			

(1) 064, (2) 064 R, (3) 064 RW, (4) 064 W

## Oil pump, Clutch

Reference	Item number	Qty	Description	Contains	Up to	Technical Information
	1122 007 1001	1	Rim sprocket kit 3/8" 8T	25, 26, 28, 29		
29	0000 642 1216	1	Rim sprocket 3/8" 8T			
	1122 007 1002	1	Rim sprocket kit 0.404" 7T	25, 26, 28, 30		
30	0000 642 1207	1	Rim sprocket 0.404" 7T			
31	* 1122 640 3000	1	Pump housing	2	20361347	
32	* 1122 647 0600	1	Pump piston		20361347	
33	* 0000 997 0621	1	Helical spring (C)		20361347	
34	* 1121 647 7002	1	Plug		20361347	
35	* 1122 647 3300	1	Clamp		20361347	
36	* 1125 647 7600	1	Control screw		20361347	
37	* 1122 647 2400	1	Spring			

online version, not for reproduction

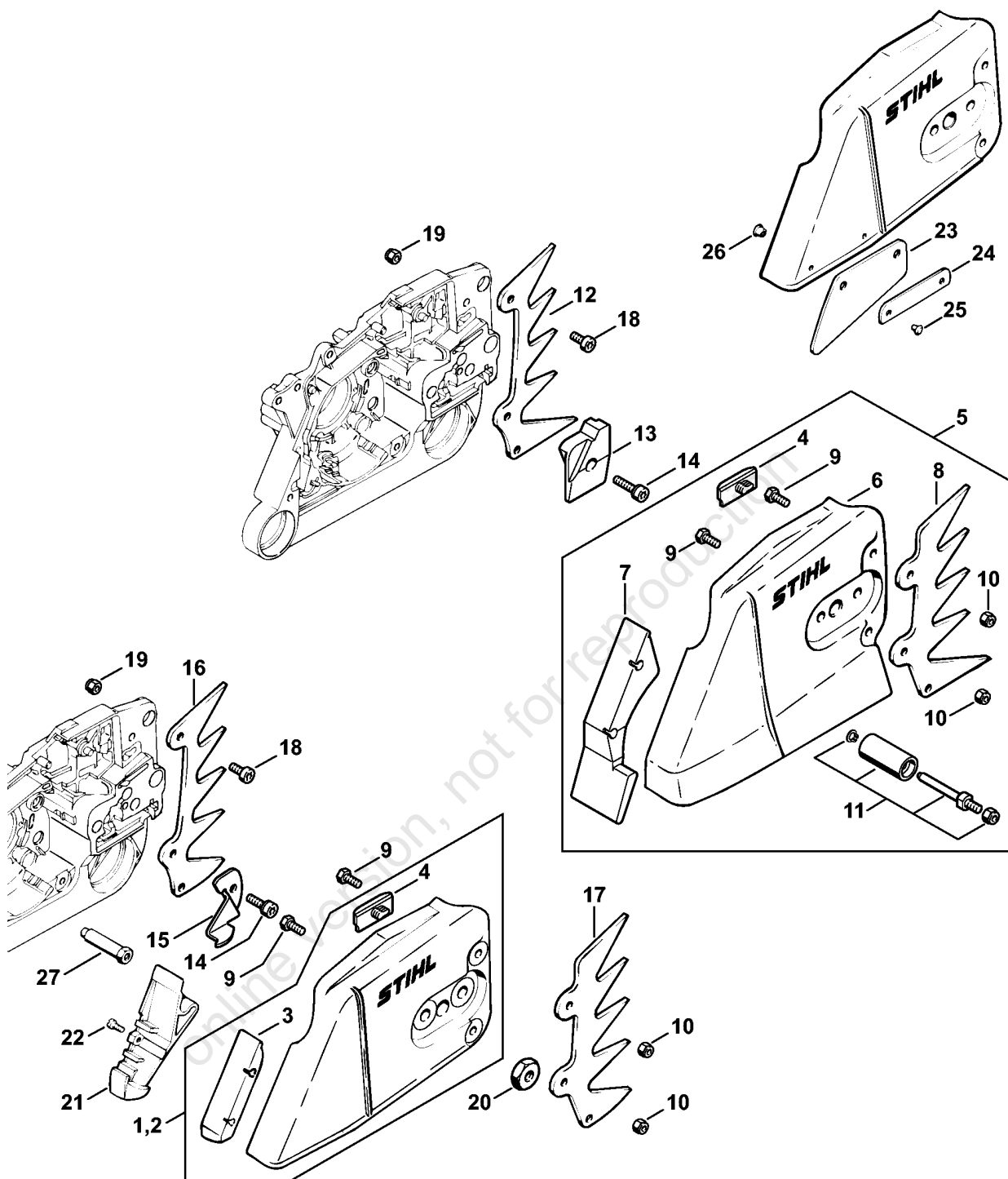


134ET093 SC

(1) 064, (2) 064 R, (3) 064 RW, (4) 064 W

## AV system

Reference	Item number	Qty	Description	Contains	Up to
1	1122 790 9103	1	Hand guard (1,4)	2 - 4	
2	1124 792 5500	1	Bushing		
3	1124 792 5505	1	Bushing		
4	9022 341 1090	1	Spline screw IS-M5x40		
5	1122 792 9105	1	Hand guard (2,3)		
6	1128 160 5000	1	Lever		
7	9460 624 0400	2	E-clip 4		
8	1121 162 5010	1	Lever		
9	0000 997 0628	1	Spring		
10	1122 160 5400	1	Brake band		
11	1121 160 5500	1	Tension spring	12	
12	1125 162 8002	1	Hose 20 mm / 13/16"		
		1	AV system soft:		
13	1122 790 9905	1	Annular buffer 1122/05		
14	1122 790 9901	1	Annular buffer 1122/01		
15	1125 790 9906	2	Annular buffer 1125/06		
16	1122 790 9921	1	Annular buffer 1122/21		
		1	AV system normal:		
13	1122 790 9905	1	Annular buffer 1122/05		
17	1122 790 9900	1	Annular buffer 1122/00		
18	1125 790 9904	2	Annular buffer 1125/04		
19	1122 790 9920	1	Annular buffer 1122/20		
		1	AV system hard:		
13	1122 790 9905	1	Annular buffer 1122/05		
20	1122 790 9902	1	Annular buffer 1122/02		
21	1125 790 9910	2	Annular buffer 1125/10		
22	1122 790 9922	1	Annular buffer 1122/22		
23	9022 341 0960	2	Spline screw IS-M5x12		
24	9022 341 0980	1	Spline screw IS-M5x16		
25	9074 478 4435	4	Pan head self-tapping screw IS-P6x19		
26	1125 791 7306	2	Plug		
27	1122 791 7301	1	Plug		
28	1122 791 7300	1	Plug		
29	1122 790 9300	1	Rubber buffer		
30	9022 313 0660	1	Spline screw IS-M4x12		
31	* 1122 790 9910	1	Annular buffer (C)		25330830



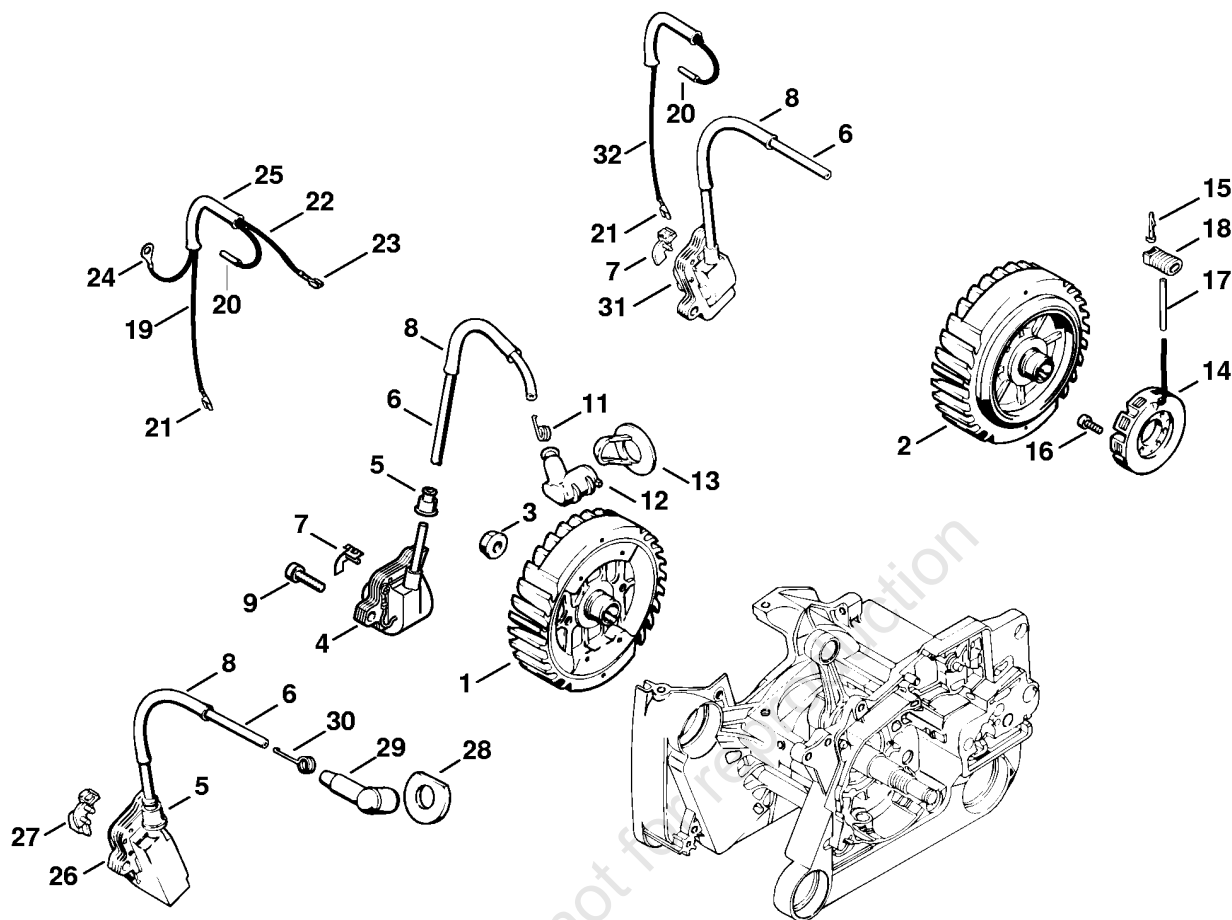
1122-GET-0009-A0

(1) 064, (2) 064 R, (3) 064 RW, (4) 064 W

## Chain sprocket cover

Reference	Item number	Qty	Description	Contains	Up to	Technical Information
1	1122 640 1707	1	Chain sprocket cover (1,4)	3, 4		
2	* 1125 640 1701	1	Chain sprocket cover (B) (1,4)	3, 4		10.2007
3	1125 656 1501	1	Guard (1,4)			
4	1121 648 6610	2	Bumper strip			
5	1122 640 1711	1	Chain sprocket cover (2,3)	4, 6 - 11		
6	1122 648 0403	1	Chain sprocket cover (2,3)			
7	1122 656 1510	1	Guard (2,3)			
8	1122 664 0501	1	Bumper spike (2,3)			
9	9008 345 0960	2	Hexagon head screw M5x12			
10	9214 320 0700	2	Lock nut M5			
11	1122 650 7702	1	Chain catcher AUS, NZ (2,3)			
12	1122 664 0506	1	Bumper spike (2,3)			
13	1122 640 8300	1	Bumper strip (2,3)			
14	9022 371 1020	1	Spline screw IS-M5x20			
15	1122 656 7700	1	Chain catcher (1,4)			
16	1122 664 0505	1	Bumper spike (1,4)			
17	1122 664 0500	1	Bumper spike (1,4)			
18	9022 341 0960	1	Spline screw IS-M5x12			
19	9214 320 0700	1	Lock nut M5			
20	0000 955 0801	2	Hexagon nut M8			
21	* 1125 656 1500	1	Guard (1,4)		19407294	
22	* 9099 021 1760	1	Self-tapping screw 2.9x9.5 (1,4)		19407294	
23	* 1115 656 2005	1	Chip guard (2,3)		19407294	
24	* 1115 656 5105	1	Clamping bar (2,3)		19407294	
25	* 9408 021 4538	2	Rivet shank 4x8x9 (2,3)		19407294	
26	* 9409 021 4440	2	Rivet head 4x11 (2,3)		19407294	
27	* 1122 656 7705	1	Chain catcher (1,4)		19402228	

(1) 064, (2) 064 R, (3) 064 RW, (4) 064 W



134ET017 SC

(1) 064, (2) 064 R, (3) 064 RW, (4) 064 W



## Ignition system

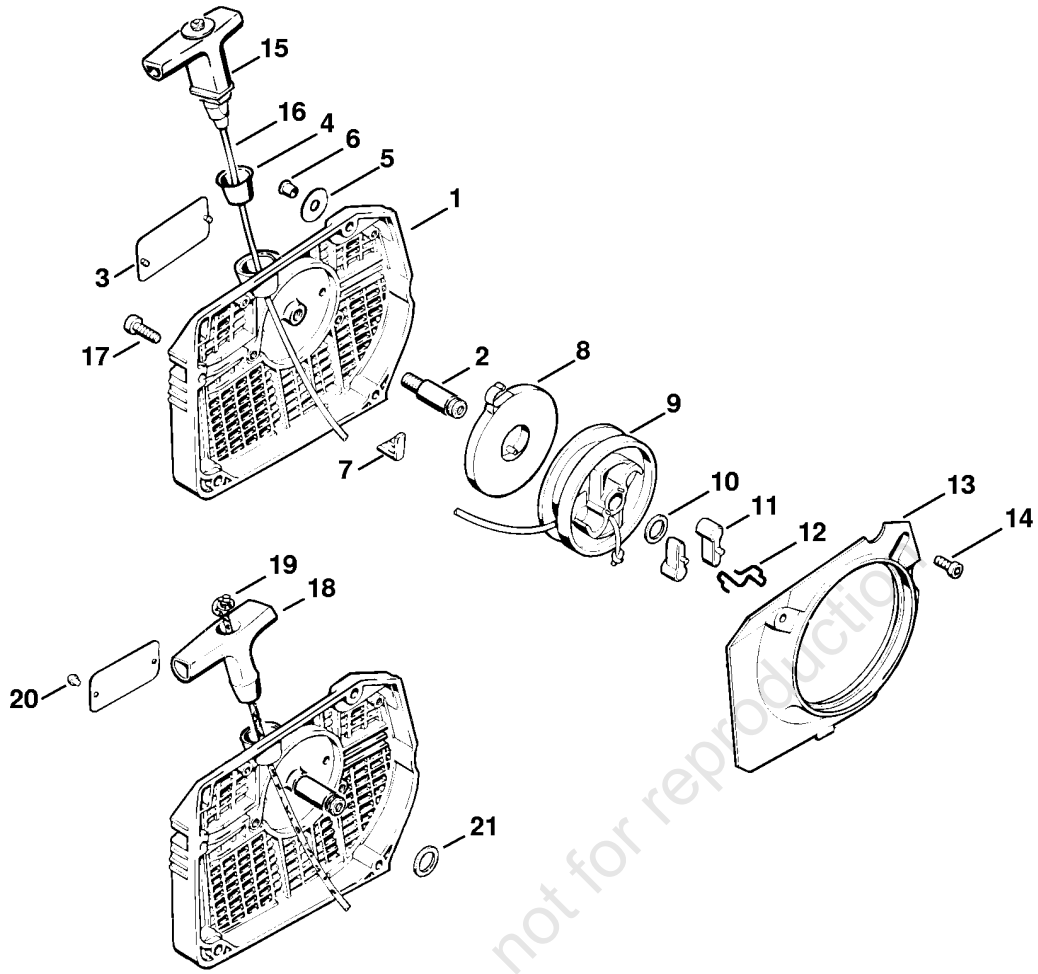
Reference	Item number	Qty	Description	Contains	Up to	Technical Information
1	1122 400 1203	1	Flywheel (1,2)			25.2005
2	1122 400 1207	1	Flywheel (3,4)			25.2005
3	0000 955 0802	1	Collar nut M8x1			
4	0000 400 1300	1	Ignition module	5 - 7		
5	0000 989 1010	1	Grommet			
6		1	Ignition lead 185 mm (D)			
	0000 405 0600	1	Ignition lead 1 m (B)			
	0000 930 2251	1	Ignition lead 10 m (B)			
7	0000 448 1250	1	Lead retainer			
8	1117 442 0905	1	Insulating hose 110 mm / 4.3"			
9	9022 341 1019	3	Spline screw IS-M5x20			
11	0000 998 0604	1	Spark plug contact spring			
12	1128 405 1000	1	Spark plug boot			
13	1128 084 1400	1	Spark plug boot cover			
14	1128 404 3500	1	Generator (3,4)	15		
15	1118 431 6600	1	Terminal pin (C) (3,4)			
16	9041 216 0540	3	Pan head screw M3.5x12 (3,4)			
17	1121 442 0402	1	Insulating hose 35 mm / 1.4" (3,4)			
18	1121 405 1900	1	Support (3,4)			
19	1121 440 1103	1	Short circuit wire 305 mm / 12.1"	20, 21		
20	1119 442 7000	1	Contact sleeve (C)			
21	0751 030 8957	1	Terminal socket 4.8-1/0.8 (C)			
22	1122 440 2201	1	Ground wire 270 mm / 10 5/8"	23, 24		
23	0751 030 8955	1	Terminal socket 4.8-1/0.4 (C)			
24	0751 030 8969	1	Terminal socket A5-1.5 (C)			
25	1122 442 0400	1	Insulating hose 100 mm / 4"			
26	* 1122 400 1303	1	Ignition module (C)	5, 6, 27	31067163	

## Ignition system

Reference	Item number	Qty	Description	Contains	Up to	Technical Information
27	* 1122 448 1200	1	Lead retainer		31067163	
28	* 1122 084 1400	1	Cover		31067163	
29	* 1106 405 1000	1	Spark plug boot		31067163	
30	* 0000 998 0603	1	Torsion spring		31067163	
31	*	1	Ignition module (C)	4 - 7, 20, 21, 32		
32	* 1122 440 1100	1	Short circuit wire	20, 21		

online version, not for reproduction

**Rewind starter**



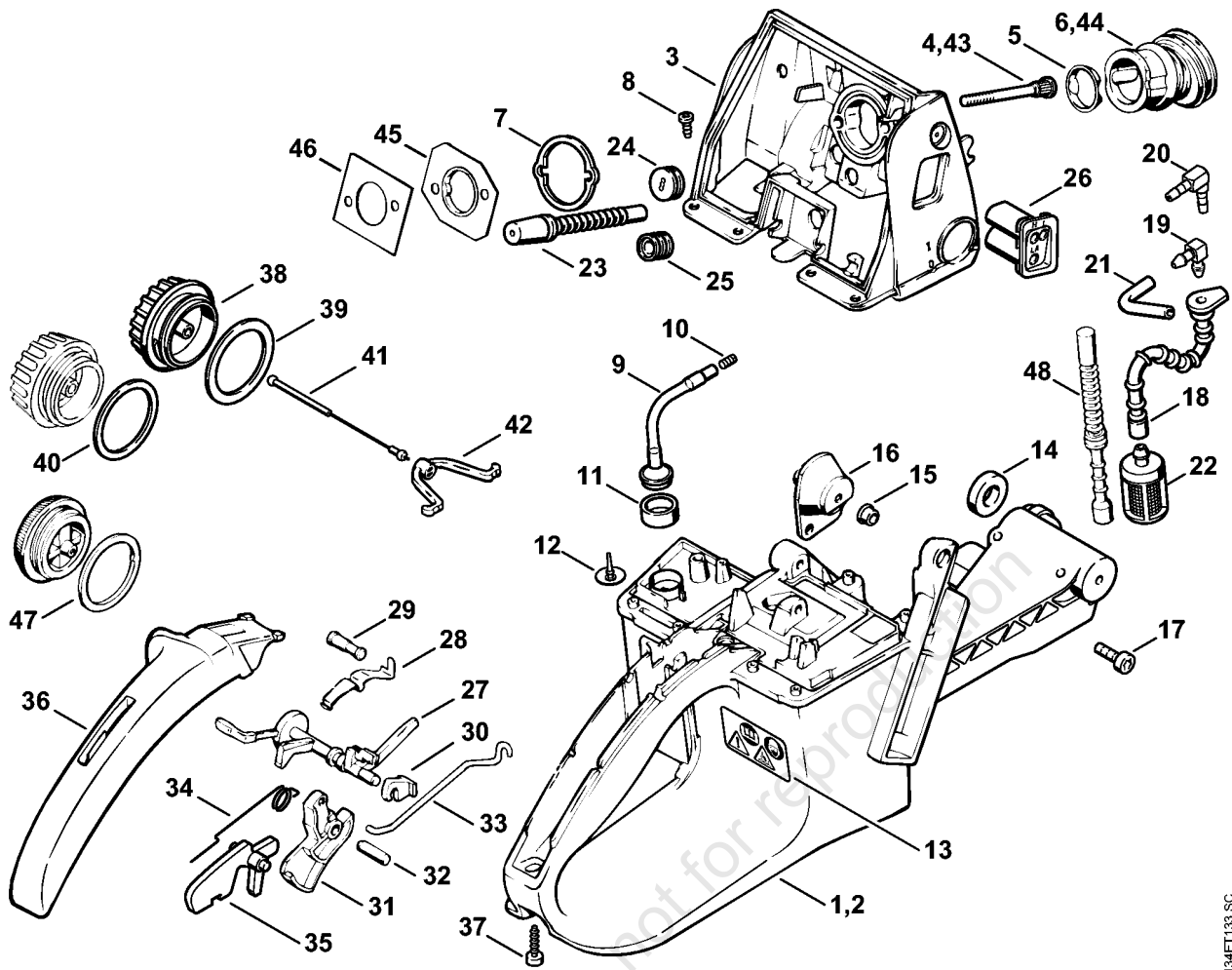
134ET096 SC

(1) 064, (2) 064 R, (3) 064 RW, (4) 064 W

## Rewind starter

Reference	Item number	Qty	Description	Contains	Up to
	1122 080 2105	1	Fan housing with rewind starter (C)	1 - 16	
1	1122 080 1805	1	Fan housing (C)	2 - 6	
2	1122 080 6500	1	Axle		
3	0000 967 2035	1	Nameplate STIHL		
4	1110 084 9102	1	Bushing		
5	0000 958 0607	1	Washer		
6	9416 868 6530	1	Hollow rivet 6.5x0.5x6.8		
7	1122 084 9600	1	Thrust pad (C)		
8	1122 190 0600	1	Rewind spring		
9	1122 195 0400	1	Rope rotor		
10	1119 162 8925	1	Washer Ø 12 mm		
11	1124 195 7200	2	Pawl		
12	1124 195 3500	1	Spring		
13	1122 084 7805	1	Segment		
14	9022 313 0660	2	Spline screw IS-M4x12		
15	1122 190 3400	1	Starter grip ElastoStart Ø 4,5 mm	16	
16	1122 190 2900	1	Starter rope Ø 4.5 mm		
	0000 930 2268	1	Starter rope Ø 4.5mm / 28 pieces		
17	9022 371 1020	3	Spline screw IS-M5x20		
	* 1122 080 2100	1	Fan housing with rewind starter	1 - 14, 18, 19	30802441
18	* 1121 195 3400	1	Starter grip		30802441
19	* 1107 195 8200	1	Starter rope Ø 4.5x1000 mm		30802441
	* 0000 930 2200	1	Starter rope Ø 4.5 mm x 30.5 m (A,B)		30802441
	* 0000 930 2213	1	Starter rope Ø 4.5 mm x 60.8 m (A,B)		
20	* 0000 974 1000	2	Round head rivet 3x6		25330830
21	* 1118 162 8935	1	Washer		

**Tank housing**



134ET133 SC

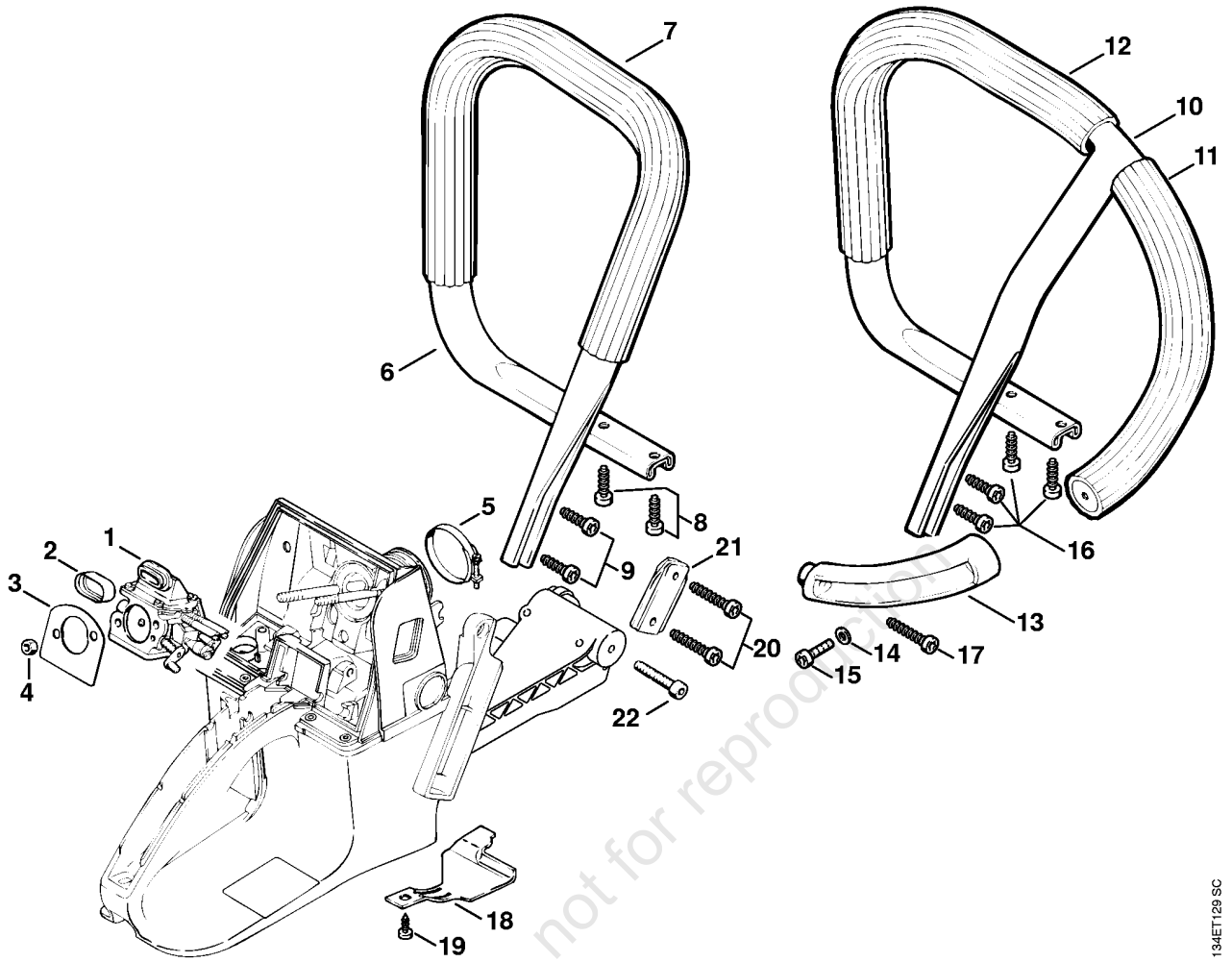
## Tank housing

Reference	Item number	Qty	Description	Contains	Up to	Technical Information
1	1122 350 0828	1	Tank housing	2 - 19, 21 - 39, 41, 42		
2	1122 350 0827	1	Tank housing	3 - 19		
3	1122 120 0102	1	Carburetor housing	4 - 7		
4	1122 122 6602	2	Collar screw			
5	1122 141 1805	1	Sleeve			
6	1122 141 2201	1	Manifold			
7	1128 121 8600	1	Washer			
8	9104 003 0650	7	Self-tapping screw P4x10			
9	1122 350 5851	1	Tank vent	10, 11		
10	1120 358 8105	1	Vent insert			
11	1122 353 0200	1	Clamp			
12	1110 353 1600	1	Valve			
13	0000 967 7247	1	Warning pictogram MS			
14	1128 791 8400	1	Ring			
15	0000 963 0808	1	Bushing			
16	1122 790 9920	1	Annular buffer 1122/20			
17	9022 341 0980	1	Spline screw IS-M5x16			
18	1124 358 7700	1	Hose			
19	4224 122 3900	1	Elbow connector			
20	* 1122 353 2600	1	Elbow connector			
21		1	Hose 3.1x5.7x52 mm, R5 (D)			
	0000 937 5004	1	Hose 3.1x5.7 mm x 1 m R5 (A,B)			
22	0000 350 3518	1	Pickup body			
23	1127 141 8600	1	Impulse hose			
24	0000 989 0812	1	Grommet			
25	1122 182 0700	1	Grommet			
26	1122 123 7503	1	Grommet			
27	1122 180 0905	1	Switch shaft			
28	1130 442 1602	1	Contact spring			
29	1122 442 2500	1	Axle			
30	1122 182 2100	1	Support			
31	1122 180 1500	1	Throttle trigger	32		
32	9371 470 2600	1	Cylindrical pin 5x16			

(1) 064, (2) 064 R, (3) 064 RW, (4) 064 W

## Tank housing

Reference	Item number	Qty	Description	Contains	Up to	Technical Information
33	1122 182 1502	1	Throttle rod			
34	1117 182 4500	1	Torsion spring			
35	1117 182 0805	1	Lockout lever			
36	1122 791 0600	1	Handle molding			
37	9074 478 3076	1	Pan head self-tapping screw IS-P4x19			
38	0000 350 0508	1	Filler cap	39, 41, 42		
39	0000 359 1203	1	Sealing ring			
40	* 0000 359 1230	1	Sealing ring			44.2007
41	0000 350 0900	1	Rope			
42	0000 353 0600	1	Hook			
43	* 1122 122 6601	2	Collar screw		20742547	
44	* 1122 141 2200	1	Manifold		20742547	
45	* 1122 141 2000	1	Shim		20742547	
46	* 1111 129 1100	1	Gasket		20742547	
47	* 0000 992 7101	1	Sealing ring			
48	* 1119 358 7701	1	Hose		19512349	



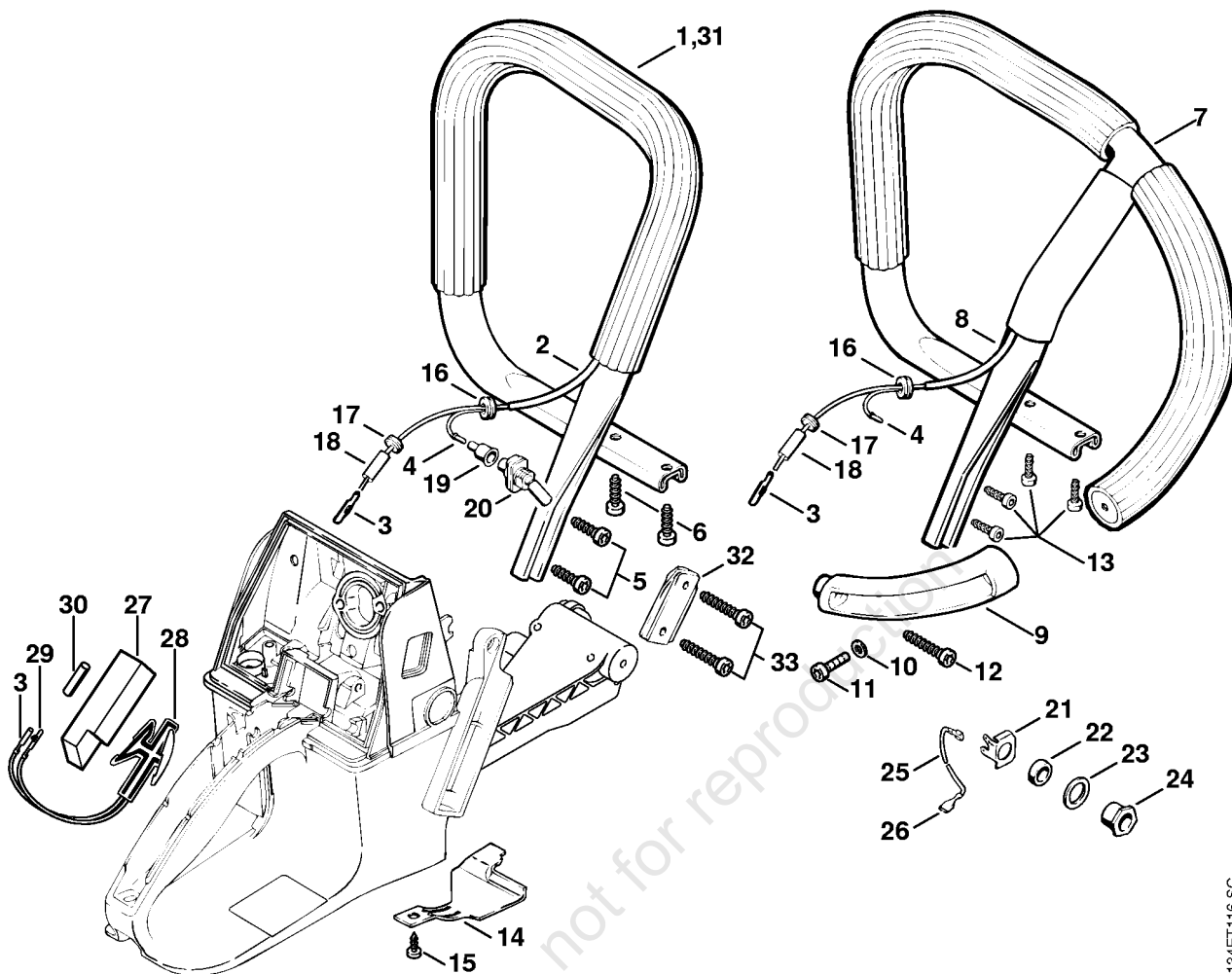
134ET129 SC

(1) 064, (2) 064 R, (3) 064 RW, (4) 064 W



## Handlebar

Reference	Item number	Qty	Description	Contains	Up to
1	1122 120 0616	1	Carburetor WJ-65B		
2	1124 121 9100	1	Bushing		
3	1122 121 7000	1	Baffle		
4	9210 260 0700	1	Hexagon nut M5		
5	9771 021 2620	1	Hose clip Ø 36x5		
6	1122 790 1750	1	Handlebar (1)	7	
7		1	Hose 460 mm / 18 1/8" (1)		
	0000 791 2009	1	Handle hose Ø 19 mm x 5 m / 3/4x197" (B) (1,2)		
8	9074 478 4435	2	Pan head self-tapping screw IS-P6x19 (1)		
9	9074 478 4475	2	Pan head self-tapping screw IS-P6x21.5 (1)		
10		1	Wrap around handlebar (C) (2)	11 - 15	
11		1	Hose 265 mm / 10 7/16" (2)		
12		1	Hose 370 mm / 14 9/16" (2)		
13	1122 791 5500	1	Elbow connector (2)		
14	9307 021 0120	1	Washer 5.3 (2)		
15	9022 371 1020	1	Spline screw IS-M5x20 (2)		
16	9074 478 4435	4	Pan head self-tapping screw IS-P6x19 (2)		
17	9074 478 2970	1	Pan head self-tapping screw IS-P4x10 (2)		
18	1122 351 0901	1	Guard (2,3)		
19	9074 478 2970	1	Pan head self-tapping screw IS-P4x10 (2,3)		
20	* 9074 478 4675	2	Pan head self-tapping screw IS-P6x32.5 (1)		133917064
21	* 1124 791 5105	1	Handlebar stiffener (1)		133917064
22	* 9022 341 1370	1	Spline screw IS-M6x30 (2,3)		



134ET116 SC

(1) 064, (2) 064 R, (3) 064 RW, (4) 064 W

## Handlebar (Heating)

Reference	Item number	Qty	Description	Contains	Up to
	1122 790 1752	1	Handlebar (4)	1 - 4	
1	1122 790 1713	1	Handlebar (4)	2 - 4	
2	1124 442 0400	1	Insulating hose 160 mm / 6.3" (4)		
3	1118 431 6700	1	Terminal socket (C) (3,4)		
4	0000 442 7000	1	Contact sleeve (C) (3,4)		
5	9074 478 4475	2	Pan head self-tapping screw IS-P6x21.5 (4)		
6	9074 478 4435	2	Pan head self-tapping screw IS-P6x19 (4)		
7	1122 790 3604	1	Wrap around handlebar (3)	3, 4, 8 - 11	
8	1121 442 0403	1	Insulating hose 130 mm / 5.1" (3)		
9	1122 791 5500	1	Elbow connector (3)		
10	9307 021 0120	1	Washer 5.3 (3)		
11	9022 371 1020	1	Spline screw IS-M5x20 (3)		
12	9074 478 4675	1	Pan head self-tapping screw IS-P6x32.5 (3)		
13	9074 478 4435	4	Pan head self-tapping screw IS-P6x19 (3)		
14	1122 351 0901	1	Guard (3)		
15	9074 478 2970	1	Pan head self-tapping screw IS-P4x10 (3)		
16	0000 989 0808	1	Grommet (3,4)		
17	0000 989 0813	1	Grommet (3,4)		
18	1121 442 0406	1	Insulating hose 40 mm / 1.6" (3,4)		
19	1110 432 9200	1	Grommet (3,4)		
20	1110 430 0202	1	Stop switch (3,4)		
21	1122 431 2700	1	Twin connector tag (3,4)		
22	0000 961 1406	1	Ring (3,4)		
23	0000 958 1406	1	Washer (3,4)		
24	1118 432 2200	1	Hexagon nut M12 (3,4)		
25	1122 440 2205	1	Ground wire (3,4)	26	
26	0751 030 8953	2	Terminal socket 4.8-1 (C) (3,4)		
27	1121 791 9000	1	Clamp (3,4)		
28	1128 434 5000	1	Heating element (3,4)	3, 29	
29	1118 431 6600	1	Terminal pin (C) (3,4)		
30	1121 442 0402	2	Insulating hose 35 mm / 1.4" (3,4)		
31	* 1122 790 1712	1	Handlebar (4)		133917064
32	* 1124 791 5105	1	Handlebar stiffener (4)		133917064
33	* 9074 478 4675	2	Pan head self-tapping screw IS-P6x32.5 (4)		133917064



## Carburetor WJ-65

Reference	Item number	Qty	Description	Contains	Up to
	1122 120 0616	1	Carburetor WJ-65B	1 - 33, 35	
1	1122 121 5603	1	Fixed jet 0.62		
2	1110 121 5100	1	Inlet needle		
3	1117 122 3005	1	Spring		
4	1117 121 9200	1	Spindle		
5	1117 121 5000	1	Inlet control lever		
6	1114 122 7400	1	Round head screw		
7	1115 121 5401	1	Valve jet		
8	1122 121 0700	1	Cup plug		
9	1116 129 0900	1	Gasket		
10	1117 121 4700	1	Metering diaphragm		
11	1122 121 0805	1	End cover		
12	1121 122 7101	4	Screw		
13	1115 121 3301	1	Throttle shutter		
14	1115 122 7400	2	Round head screw		
15	1128 122 3003	2	Spring		
16		2	Sealing ring (D)		
17	1122 122 6802	1	Low speed screw	16	
18	1122 122 6706	1	High speed screw	16	
19	1122 121 7700	1	Clamp		
20	1122 122 6200	1	Idle speed screw		
21	1122 122 3200	1	Torsion spring		
22	1122 120 7101	1	Throttle shaft with lever		
23	1110 122 9300	1	Clip		
24	1106 122 7400	1	Round head screw		
25	1122 122 3205	1	Torsion spring		
26	1122 120 7200	1	Choke shaft with lever		
27	1117 122 9000	1	E-clip		
28	1114 121 7800	1	Strainer		
29	1115 121 4800	1	Pump diaphragm		
30	1115 129 1100	1	Gasket		
31	1115 120 0800	1	End cover		
32	1121 122 7101	4	Screw		
33	1122 121 2900	1	Choke shutter		
34	1122 121 5608	1	Fixed jet 0.60 (B) High altitude		
	1122 007 1060	1	Set of carburetor parts	9, 10, 29, 30	
35	* 1117 121 0800	1	End cover		25872903
36	* 1116 122 9000	1	E-clip		25872903

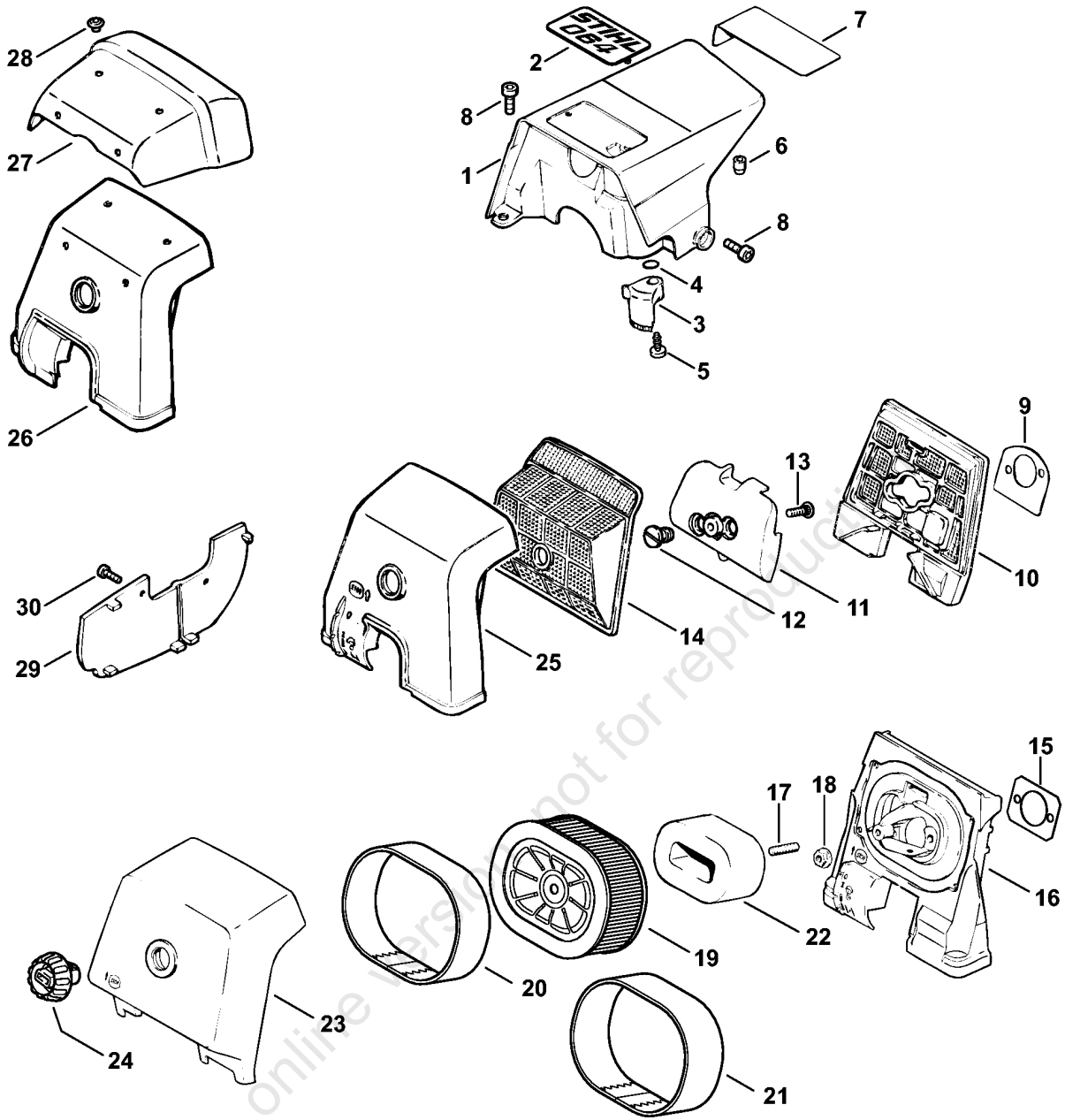
(1) 064, (2) 064 R, (3) 064 RW, (4) 064 W

**Carburetor WJ-65**

Reference		Item number	Qty	Description	Contains	Up to
37	*	1120 122 3600	1	Sealing ring		25872903
38	*	1122 122 6705	1	High speed screw		25872903

online version, not for reproduction

**Shroud, Air filter**



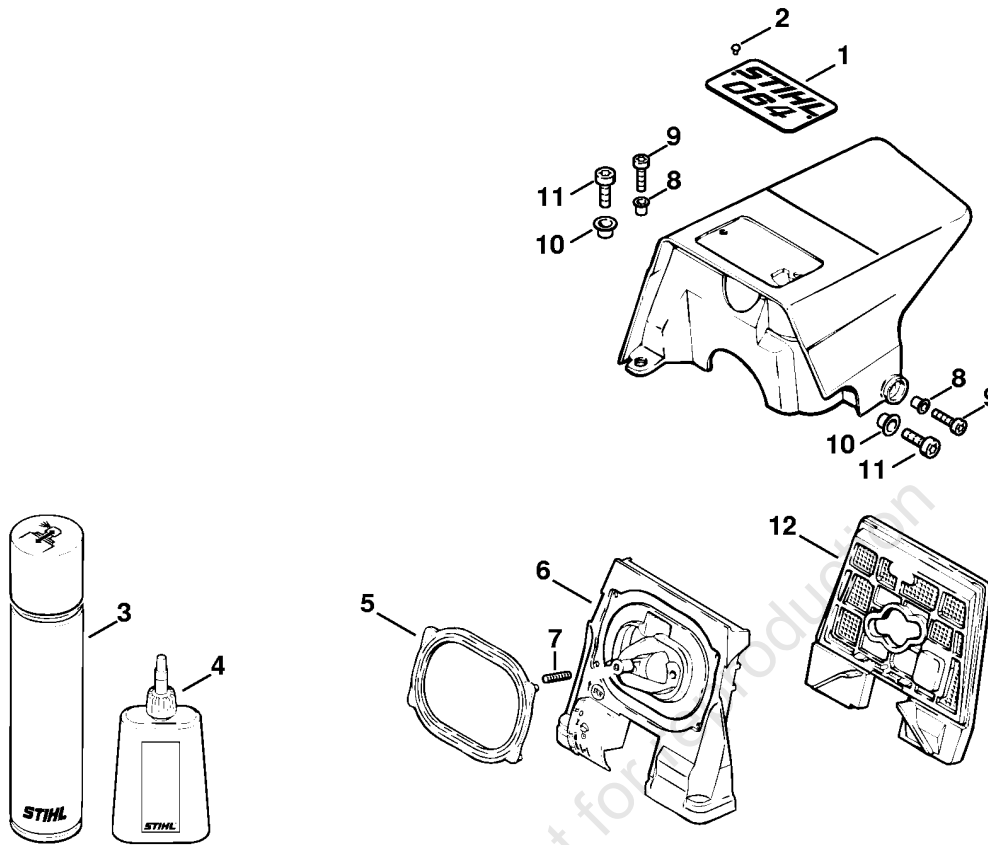
(1) 064, (2) 064 R, (3) 064 RW, (4) 064 W

## Shroud, Air filter

Reference	Item number	Qty	Description	Contains	Technical Information
1	1122 080 1603	1	Shroud	2 - 7	
2	1122 967 1503	1	Model plate 064		
3	1125 080 8000	1	Shutter	4, 5	
4	9646 945 0590	1	O-ring 8x2		
5	9099 021 3760	1	Self-tapping screw 4.8x13		
6	1121 084 7100	1	Cap		
7	1124 084 8300	1	Reflector foil		
8	9022 341 0980	3	Spline screw IS-M5x16		
9	1122 121 7000	1	Baffle		
10	1122 120 1621	1	Air filter		
11	1122 120 4101	1	Baffle	12, 13	
12	1124 141 8300	2	Slotted nut		
13	1122 122 6605	1	Collar screw		
14	1122 120 1615	1	Air filter		
	1122 007 1031	1	Air filter kit HD (B)	15 - 19, 23, 24	
15	1128 129 1100	1	Gasket		
16	1122 120 3411	1	Filter base	17	
17	9121 319 0960	1	Stud M5x12x9		
18	9216 261 0700	2	Hexagon nut M5		
19	0000 140 4402	1	Air filter HD2		
20	0000 141 0601	1	Prefilter (B)		
21	* 0000 141 0300	1	Prefilter		47.2010
22	* 0000 124 0800	1	Filter insert		
23	1122 140 1001	1	Filter cover	24	
24	1124 140 9500	1	Twist lock		
25	1122 140 1900	1	Carburetor box cover	24	
	1122 007 1027	1	Intake air preheating kit (B)	24, 26 - 30	
26	1122 140 1901	1	Carburetor box cover (B)	24, 27, 28	
27	1122 141 2500	1	Cover (B)		
28	9438 929 4040	4	Blind rivet 5x8 (B)		
29	1122 084 8206	1	Cover plate (B)		
30	9022 313 0660	3	Spline screw IS-M4x12 (B)		

(1) 064, (2) 064 R, (3) 064 RW, (4) 064 W





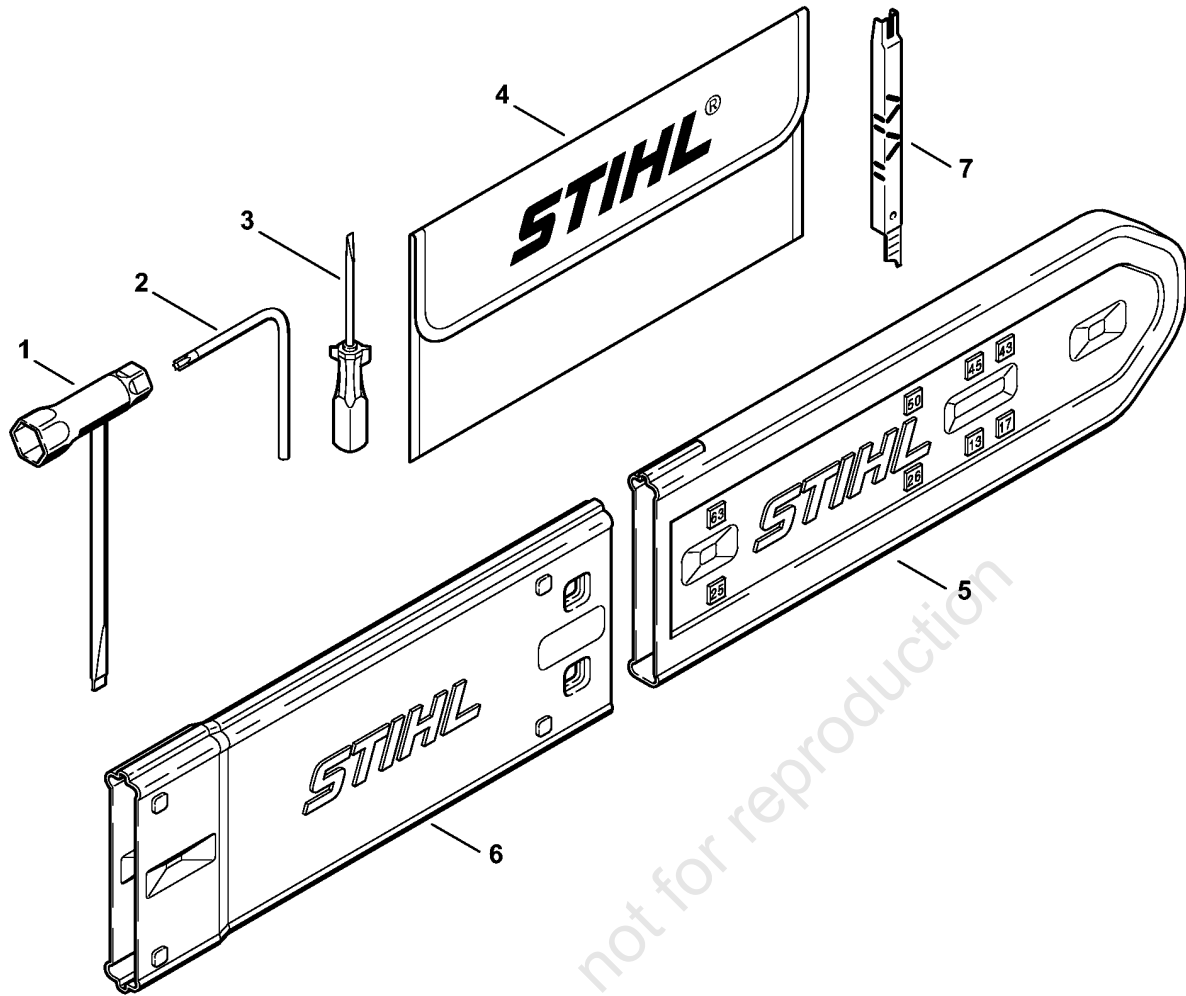
134ET102 SC

(1) 064, (2) 064 R, (3) 064 RW, (4) 064 W

**Shroud, Air filter → X 33 459 522 (08.1997)**

Reference	Item number	Qty	Description	Contains	Up to
1	* 1122 967 1502	1	Model plate 064		33459522
2	* 0000 974 1000	2	Round head rivet 3x6		33459522
3	* 0781 867 7540	1	HD filter oil 100 ml		
4	* 0781 867 8540	1	HD filter oil 300 ml		
5	* 1124 129 0900	1	Gasket		31067594
6	* 1122 120 3405	1	Filter base with Bing Carburetor only	7	25872903
7	* 9121 319 0960	1	Stud M5x12x9 with Bing Carburetor only		25872903
8	* 9416 868 5630	2	Hollow rivet 5.5x0.5x6.8		20743047
9	* 9022 313 0680	3	Pan head screw IS M4x16		20743047
10	* 9443 825 7130	3	Hollow rivet 7.5x1x6.8		20743047
11	* 9022 341 0980	3	Spline screw IS-M5x16		20743047
12	* 1122 120 1620	1	Air filter		18760749

online version, not for reproduction



1121-GET-0002-A0

## Tools, Extras

Reference	Item number	Qty	Description	Contains
	1121 890 1400	1	Tool kit	1 - 4
1	1129 890 3401	1	Combination wrench	
2	0812 370 1000	1	Screwdriver T27x120x70	
3	0000 890 2300	1	Screwdriver	
4	0000 891 0810	1	Tool roll	
5	0000 792 9129	1	Chain scabbard	
6	0000 792 9132	1	Chain scabbard extension up to 63 cm (C)	
7	1110 893 4000	1	Filing gauge (B)	

online version, not for reproduction