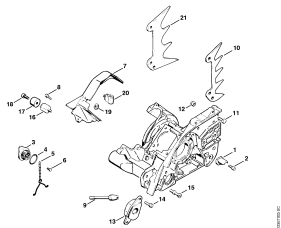
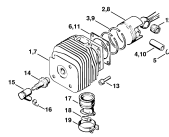


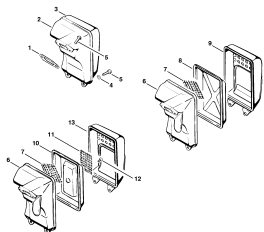
Crankcase, Crankshaft



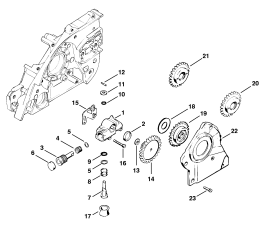
Fan shroud



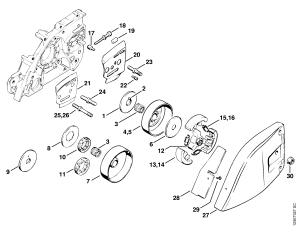
Cylinder



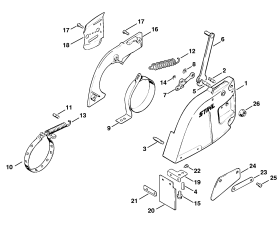
Muffler



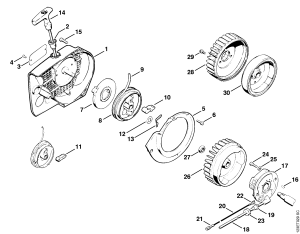
Oil pump



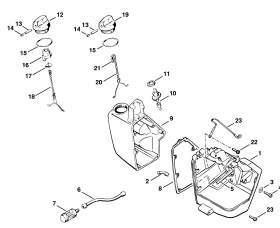
Clutch



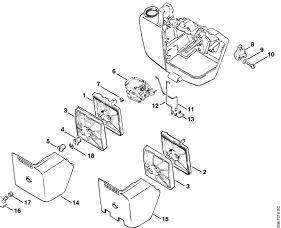
Chain brake



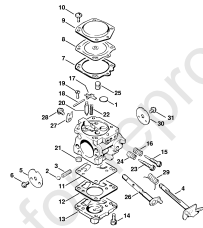
Rewind starter, Ignition system



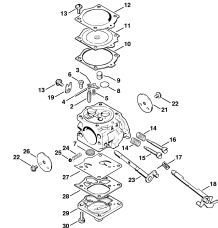
Carburetor box



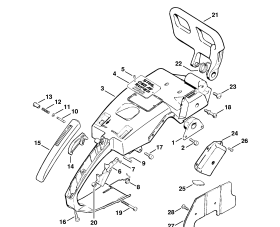
Air filter



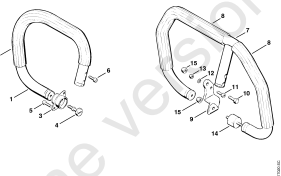
Carburetor HS-118



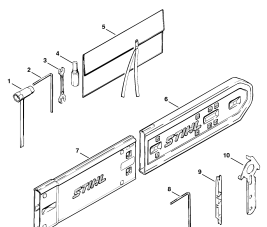
Carburetor WJ-4



Handle frame



Handlebar



Tools, Extras

Description

Crankcase, Crankshaft

Fan shroud

Cylinder

Muffler

Oil pump

Clutch

Chain brake

Rewind starter, Ignition system

Carburetor box

Air filter

Carburetor HS-118

Carburetor WJ-4

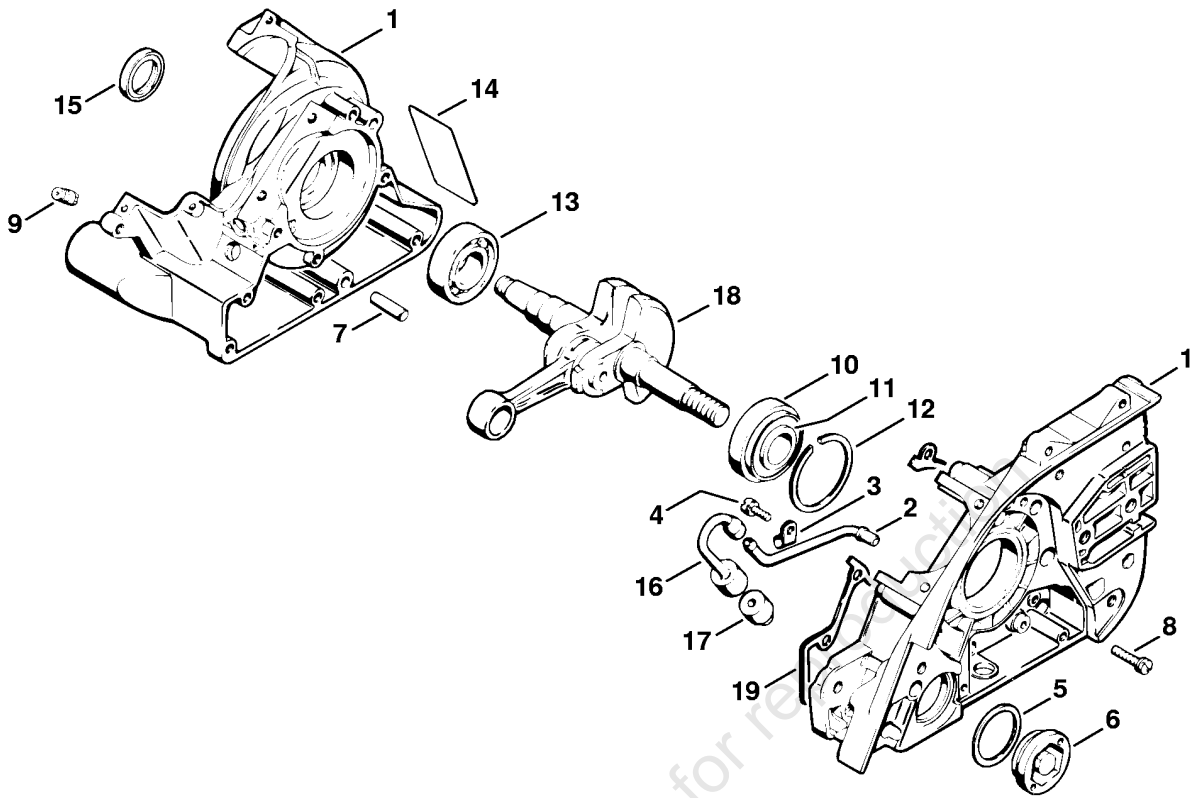
Handle frame

Handlebar

Tools, Extras

online version, not for reproduction

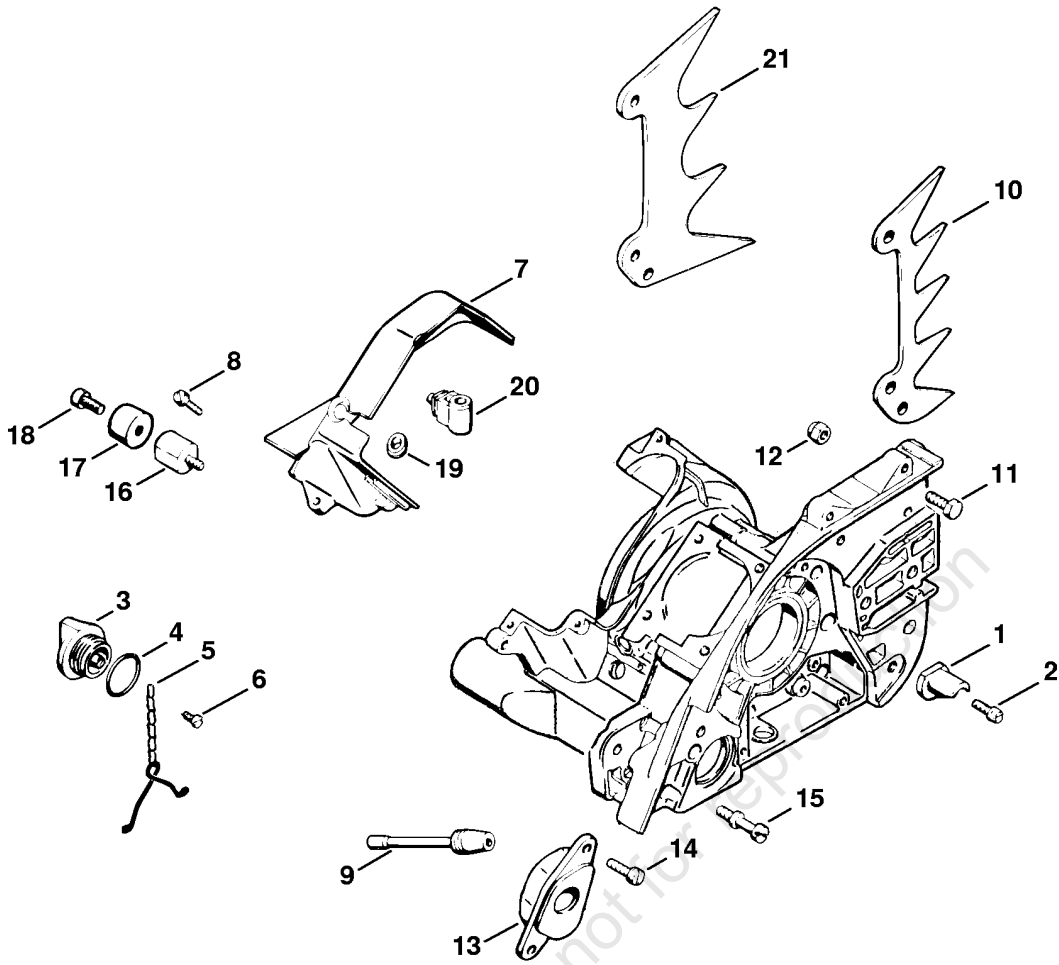
Crankcase, Crankshaft



123ET001 SC

Crankcase, Crankshaft

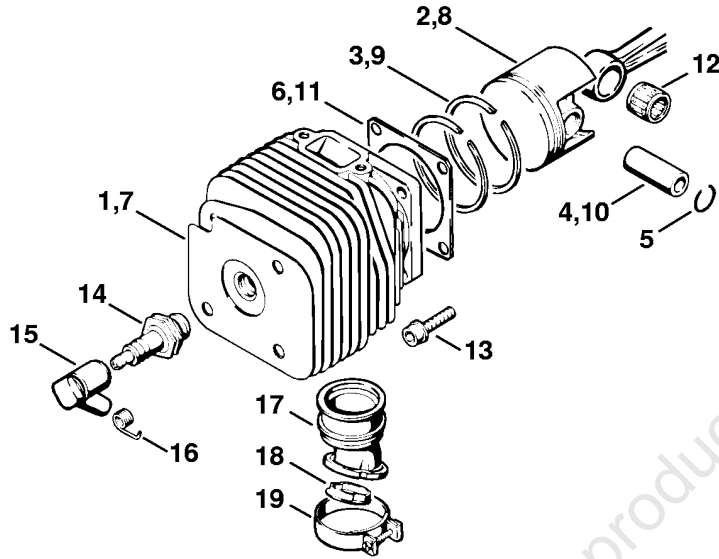
Reference	Item number	Qty	Description	Contains
1	1115 020 2113	1	Crankcase (3)	2 - 14
1	1115 020 2114	1	Crankcase (2)	2 - 14
2	1115 020 8200	1	Pickup tube	3
3	9778 021 0600	1	Tube clamp 6	
4	9048 319 0660	1	Pan head screw M4x12	
5	0000 992 7105	1	Sealing ring 30x36x1	
6	1106 351 2200	1	Oil sight glass	
7	9371 470 3120	2	Cylindrical pin 6x20	
8	9048 216 1010	8	Pan head screw M5x18	
9	1128 640 9100	1	Valve	
10	9523 003 4460	1	Grooved ball bearing 17x42x14.5	11
11	9640 003 2690	1	Oil seal 23.8x33.4x4	
12	9465 620 2690	1	Snap ring 44	
13	9503 003 0510	1	Grooved ball bearing 6004	
14	1115 084 8300	1	Reflector foil	
15	4773 709 2102	1	Oil seal 20x30x5	
16	1114 647 9400	1	Hose	
17	1106 640 3801	1	Pickup body	
18	1115 030 0400	1	Crankshaft	
19	1115 029 0501	1	Gasket	



123ET003 SC

Fan shroud

Reference	Item number	Qty	Description	Contains
1	1117 656 7700	1	Chain catcher	
2	9041 216 1310	1	Pan head screw M6x18	
3	1115 640 3600	1	Oil filler cap	4 - 6
4	0000 992 6305	1	Sealing ring	
5	1117 350 0901	1	Filler cap retainer	
6	9099 021 2360	1	Self-tapping screw 3.5x9.5	
7	1115 084 0900	1	Fan shroud	
8	9021 319 0670	3	Pan head screw M4x14-Z1	
9	1115 141 8600	1	Impulse hose	
10	1115 664 0500	1	Bumper spike	
11	9008 319 1280	2	Hexagon head screw M6x16	
12	9214 320 0900	2	Lock nut M6	
13	1115 790 9905	1	Annular buffer Only in conjunction with fire-safe muffler 1115 140 0607	
13	1115 790 9906	1	Annular buffer	
14	9048 216 1010	2	Pan head screw M5x18	
15	1113 791 6110	1	Collar screw	
16	1114 790 9600	1	Annular buffer	
17	1115 790 9602	1	Annular buffer	
18	9045 371 0960	1	Socket head screw M5x12	
19	0000 989 0602	1	Grommet	
20	1115 432 9200	1	Support	
21	1115 664 0501	1	Bumper spike Only in conjunction with fire-safe muffler 1115 140 0607	



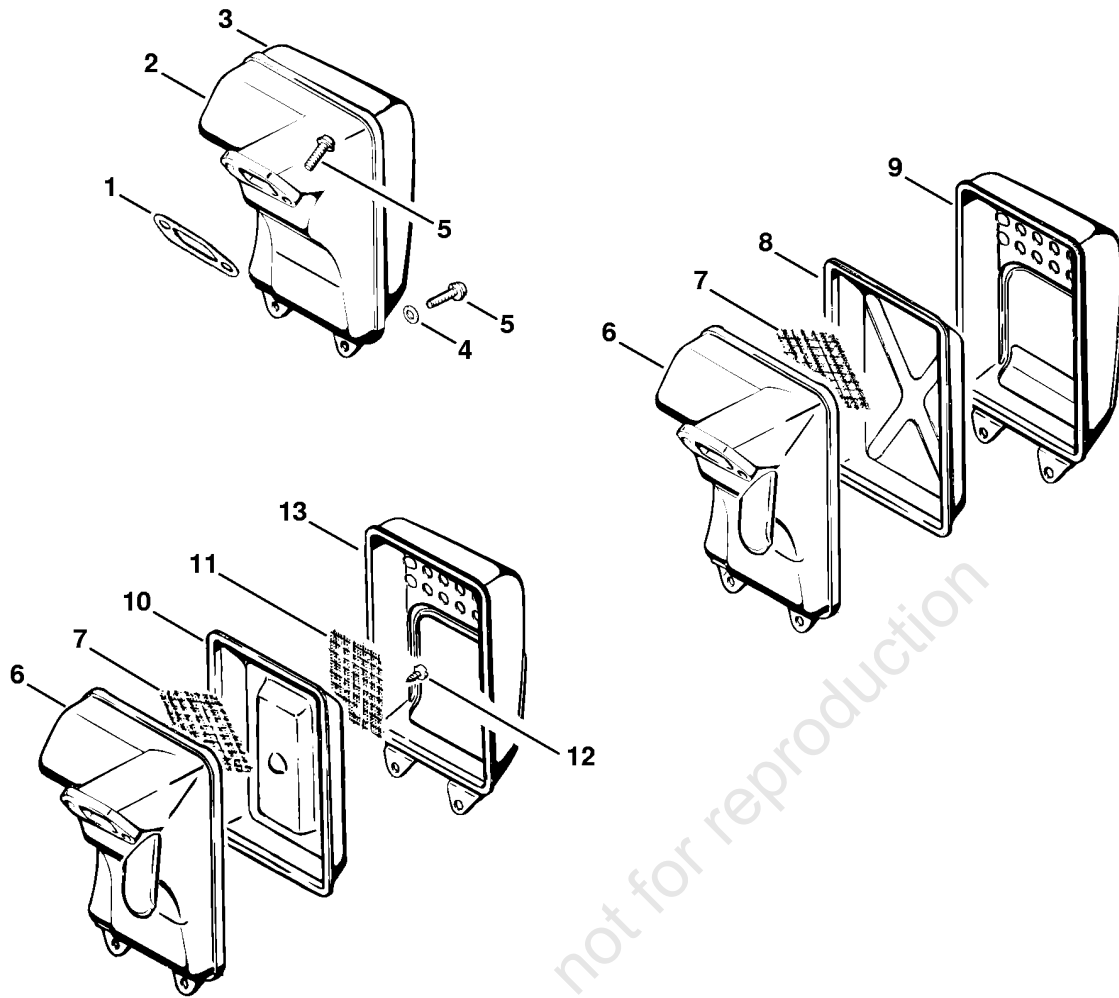
online version, not for reproduction

123ET004 SC

Cylinder

Reference	Item number	Qty	Description	Contains
1	1115 020 1205	1	Cylinder with piston Ø 54 mm (3)	2 - 5
2	1115 030 2002	1	Piston Ø 54 mm (3)	3 - 5
3	1115 034 3012	2	Piston ring Ø 54x1.5 mm (3)	
4	1115 034 1500	1	Piston pin 13x8x34 (3)	
5	9463 650 1300	2	Snap ring 13x1	
6	1115 029 2300	1	Cylinder gasket (3)	
7	1115 020 1202	1	Cylinder with piston Ø 56 mm (2)	5, 8 - 10
7	1115 020 1203	1	Cylinder with piston Ø 56 mm (2)	5, 8 - 10
8	1115 030 2003	1	Piston Ø 56 mm (2)	5, 9, 10
9	1115 034 3013	2	Piston ring Ø 56x1.5 mm (2)	
10	1115 034 1501	1	Piston pin 13x8x36 (2)	
11	1115 029 2301	1	Cylinder gasket (2)	
12	9512 003 3410	1	Needle cage 13x17x14.5	
13	9036 341 1350	4	Socket head screw M6x25	
14	1110 400 7005	1	Spark plug Bosch WSR 6 F	
14	0000 400 7000	1	Spark plug NGK BPMR7A	
15	1128 405 1000	1	Spark plug boot	
16	0000 998 0604	1	Spark plug contact spring	
17	1115 141 2200	1	Manifold	
18	1117 141 1800	1	Sleeve	
19	9771 021 2580	1	Hose clip Ø 34x7	

Muffler



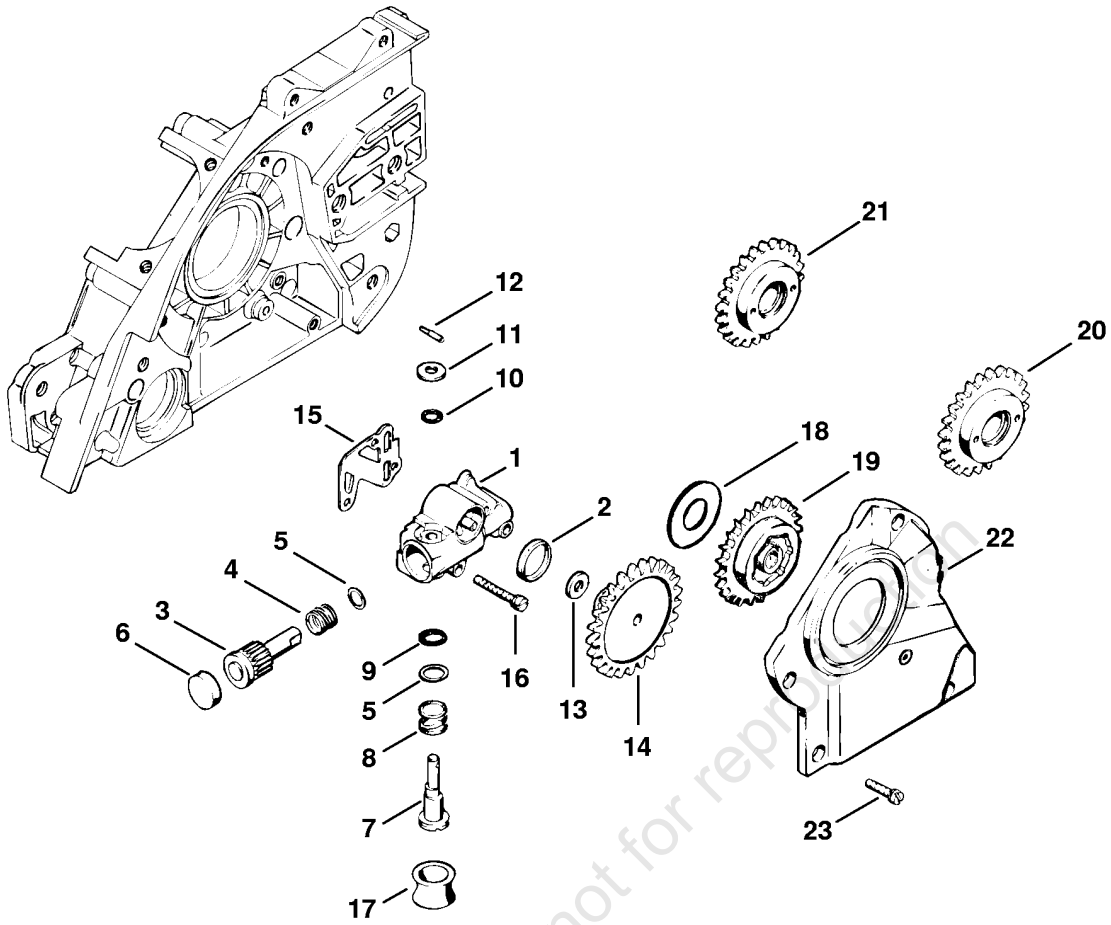
online version, not for reproduction

123ET006 SC

Muffler

Reference	Item number	Qty	Description	Contains
1	1115 149 0600	1	Muffler gasket	
	1115 140 0600	1	Muffler	2, 3
2	1115 145 0701	1	Inlet casing	
3	1115 145 0801	1	Outlet-shell	
4	9291 021 0120	2	Washer 5.3	
5	9040 346 1010	4	Socket head screw M5x18	
	1115 140 0607	1	Muffler (B) Only in conjunction with bumper spike 1115 664 0501	6 - 9
6	1115 140 0901	1	Inlet casing (B) Only in conjunction with bumper spike 1115 664 0501	7
7	1115 141 9001	1	Screen (B) Only in conjunction with bumper spike 1115 664 0501	
8	1115 145 0400	1	Silencer casing (B) Only in conjunction with bumper spike 1115 664 0501	
9	1115 145 0902	1	Protecting shell (B) Only in conjunction with bumper spike 1115 664 0501	
	1115 140 0608	1	Muffler Only in conjunction with bumper spike 1115 664 0501	6, 7, 10 - 13
10	1115 140 0800	1	Outlet-shell Only in conjunction with bumper spike 1115 664 0501	11, 12
11	1111 141 9000	1	Screen Only in conjunction with bumper spike 1115 664 0501	
12	9099 021 0810	1	Self-tapping screw 4.2x9.5 Only in conjunction with bumper spike 1115 664 0501	
13	1115 145 0900	1	Protecting shell Only in conjunction with bumper spike 1115 664 0501	

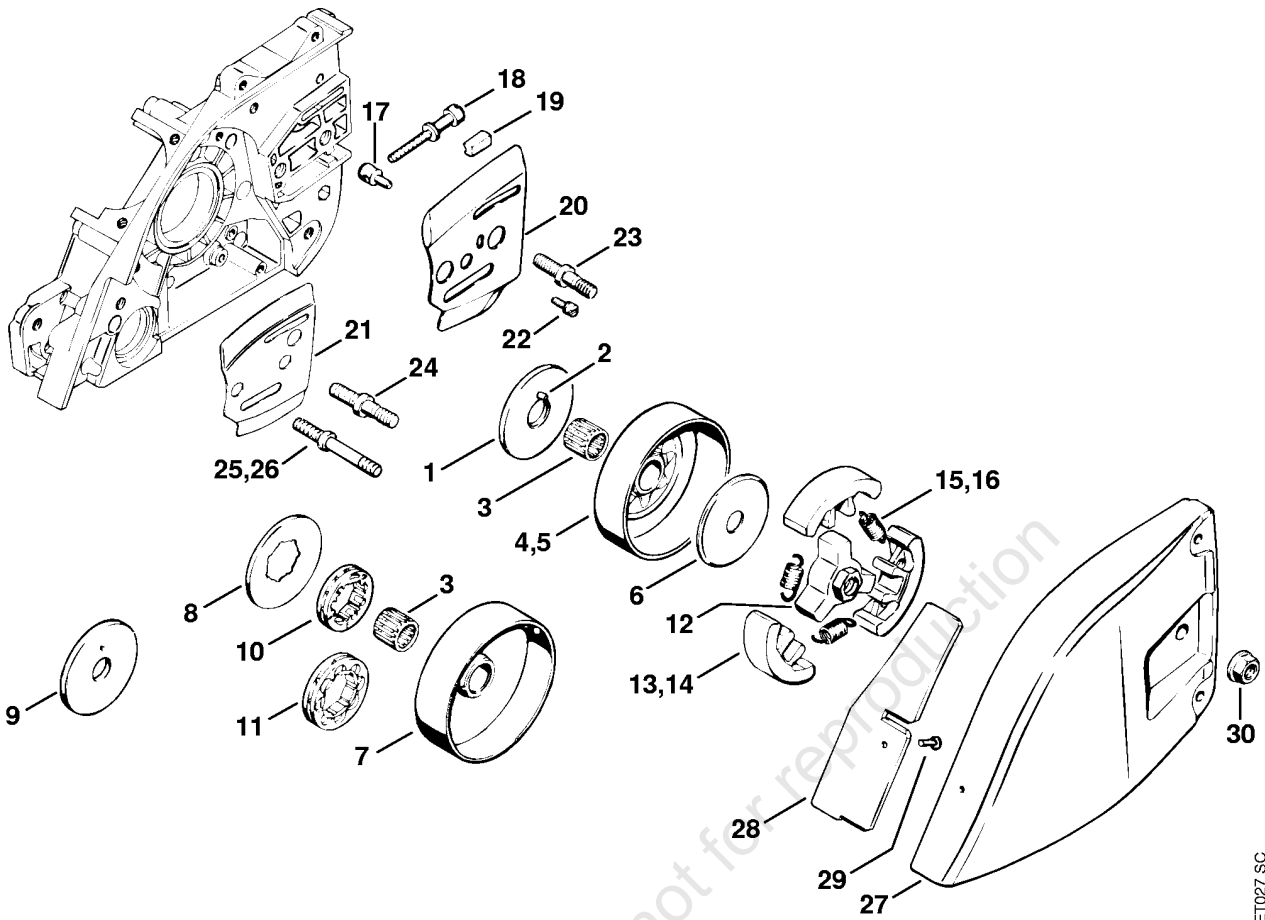
Oil pump



(1) 056, (2) 056 M, (3) 056 S

Oil pump

Reference	Item number	Qty	Description	Contains	Up to
	1113 640 3201	1	Oil pump	1 - 14	
1	1117 640 3001	1	Pump housing	2	
2	9643 950 1160	1	Sealing ring 12x16x3		
3	1117 647 0601	1	Pump piston		
4	0000 997 1010	1	Compression spring		
5	0000 958 0701	2	Washer		
6	0000 988 6220	1	Plug		
7	1117 647 4801	1	Control bolt		
8	0000 997 1200	1	Helical spring		
9	9646 945 0490	1	O-ring 7x1.5		
10	9646 945 0230	1	O-ring 5x1.25		
11	9486 648 0100	1	Cup spring 10		
12	1117 647 9800	1	Pin		
13	0000 958 0402	1	Washer		
14	1113 640 7100	1	Worm		
15	1117 649 1100	1	Gasket		
16	9048 319 0740	3	Pan head screw M4x25		
17	0000 989 0401	1	Rubber ring		
18	0000 958 1404	1	Washer		
19	1115 640 7501	1	Spur gear		
20	* 1115 007 1006	1	Spur gear	18	10963560
21	1115 647 1802	1	Spur gear (B)		
22	1115 020 1100	1	Cover		
23	9048 319 0660	4	Pan head screw M4x12		

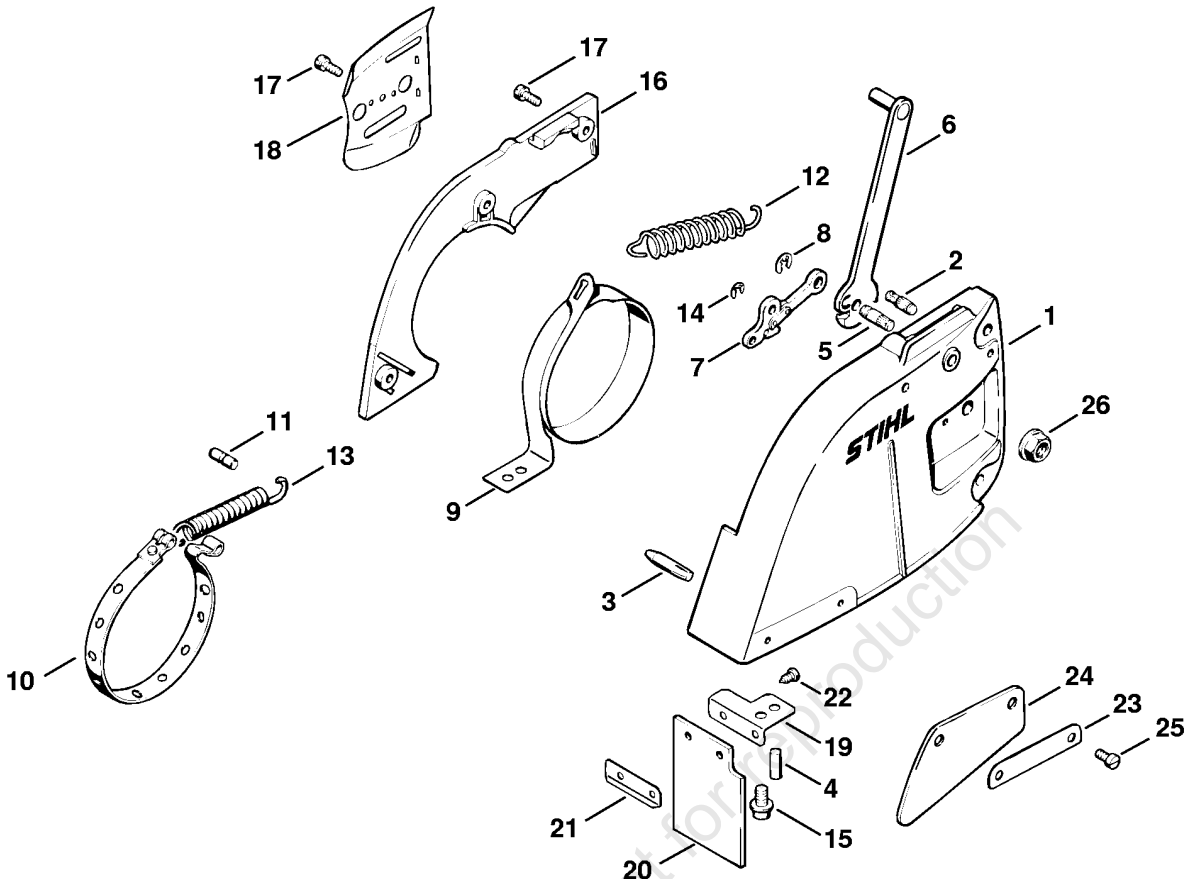


123ET027 SC

(1) 056, (2) 056 M, (3) 056 S

Clutch

Reference	Item number	Qty	Description	Contains	Up to
1	1115 030 7500	1	Cover washer (B)	2	
2	9517 003 0490	1	Cylindrical roller 2.5x16.8 (B)		
3	9512 933 3760	1	Needle cage 14x17x17 (C)		
4	1115 640 2001	1	Chain sprocket 3/8" 7T (B)		
5	1115 640 2005	1	Chain sprocket 0.404" 7T (B)		
6	1106 162 8800	1	Washer		
	1115 007 1045	1	Rim sprocket kit 0.404" 7T	7, 8, 10	
7		1	Clutch drum (D)		
8	1115 036 9101	1	Cover washer		
9	* 1115 030 7501	1	Cover washer		10963560
10	0000 642 1206	1	Rim sprocket 0.404" 7T		
	1115 007 1048	1	Rim sprocket kit 3/8" 8T	7, 8, 11	
11	0000 642 1215	1	Rim sprocket 3/8" 8T		
	1115 160 2000	1	Clutch	12, 13, 15	
12	1115 162 3202	1	Carrier		
13	1115 162 0803	3	Clutch shoe		
14	* 1115 160 1500	3	Clutch shoe		7618601
15	0000 997 6202	3	Tension spring		
16	* 0000 997 5922	3	Tension spring		7618601
17	1120 664 1500	1	Tensioning nut		
18	1110 664 1600	1	Adjusting screw		
19	1110 021 9000	1	Clamp		
20	1122 664 1000	1	Inner side plate 0.5 mm		
21	* 1113 664 1001	1	Inner side plate		13809813
22	9048 319 0660	1	Pan head screw M4x12		
23	1115 664 2405	2	Collar screw M10/M8		
24	* 1110 664 2400	1	Collar screw		13809813
25	* 1115 664 2400	1	Collar screw		13809813
26	* 1115 664 2410	1	Collar screw		13809813
27	1115 640 1700	1	Chain sprocket cover		
28	1115 656 1500	1	Guard plate		
29	9415 415 2270	1	Hollow rivet 3x0.3x8		
30	9220 260 1100	2	Hexagon nut M8		



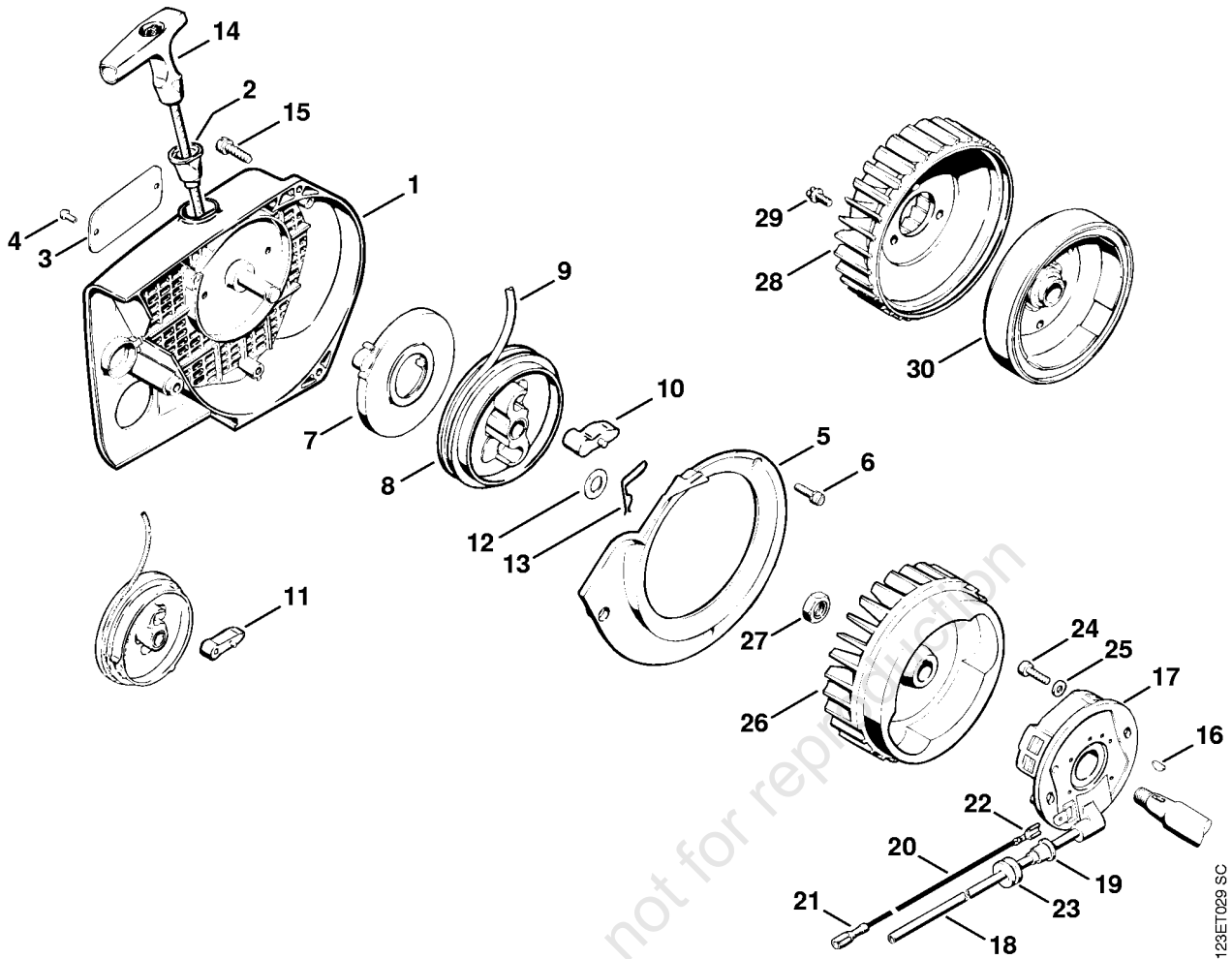
123ET028 SC

(1) 056, (2) 056 M, (3) 056 S

Chain brake

Reference	Item number	Qty	Description	Contains	Up to
	1115 640 1715	1	Chain sprocket cover	2 - 9, 12, 14 - 18	
1	1115 640 1714	1	Chain sprocket cover	2 - 5	
2	1120 162 5200	1	Pin		
3	0000 971 0612	1	Pin		
4	9381 651 2600	1	Cylindrical pin 5x16		
5	1115 162 5226	1	Pin		
6	1115 160 5016	1	Lever		
7	1115 160 5015	1	Lever		
8	9460 624 0500	1	E-clip 5		
9	1115 162 5401	1	Brake band		
10	* 1115 160 5400	1	Brake band		13422813
11	* 1115 162 5220	1	Pin		13422813
12	1115 162 7905	1	Tension spring		
13	* 1115 162 7900	1	Tension spring		13422813
14	9460 624 0400	1	E-clip 4		
15	9036 313 0960	1	Socket head screw M5x12		
16	1115 648 7702	1	Cover		
17	9048 319 0660	4	Pan head screw M4x12		
18	1113 664 1100	1	Outer side plate		
	1115 650 9300	1	Chip guard	19 - 22	
19	1115 656 5000	1	Retaining strip		
20	1106 656 2000	1	Chip guard		
21	1115 656 5100	1	Clamping bar		
22	9099 021 2740	1	Self-tapping screw 3.9x9.5		
23	1115 656 5105	1	Clamping bar		
24	1115 656 2005	1	Chip guard		
25	9079 319 0650	2	Flat head screw M4x10		
26	9220 260 1100	2	Hexagon nut M8		

Rewind starter, Ignition system



online version, not for reproduction

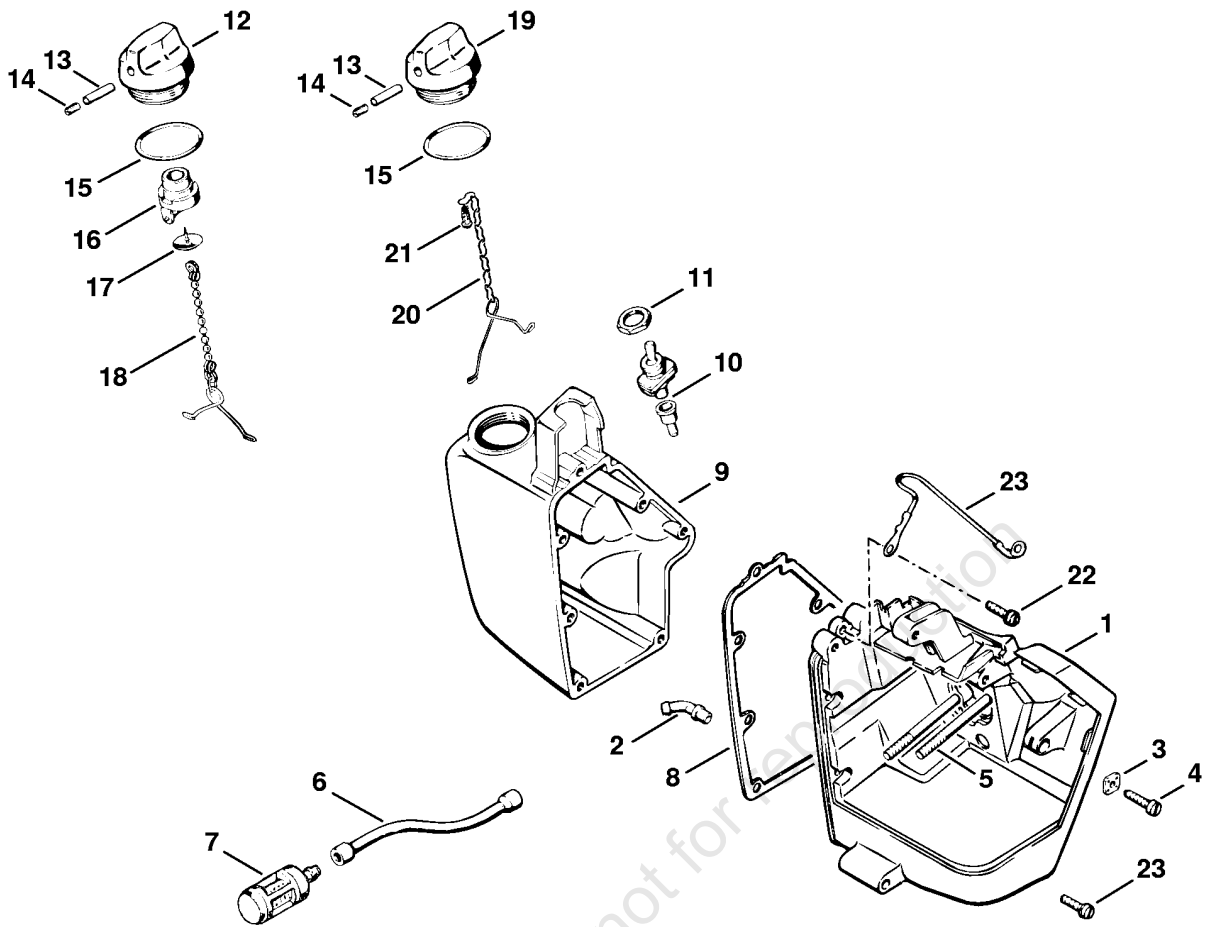
123ET029 SC

Rewind starter, Ignition system

Reference	Item number	Qty	Description	Contains	Up to
	1115 080 2101	1	Fan housing with rewind starter	1 - 10, 12 - 14	
1	1115 080 1801	1	Fan housing	2 - 4	
2	1110 084 9102	1	Bushing		
3	0000 967 2020	1	Nameplate STIHL		
4	0000 974 1000	2	Round head rivet 3x6		
5	1115 084 7800	1	Segment		
6	9048 319 0660	3	Pan head screw M4x12		
7	1117 190 0601	1	Rewind spring		
8	1117 190 1011	1	Rope rotor		
9	1107 195 8200	1	Starter rope Ø 4.5x1000 mm		
	0000 930 2200	1	Starter rope Ø 4.5 mm x 30.5 m (B)		
	0000 930 2213	1	Starter rope Ø 4.5 mm x 60.8 m (B)		
10	1124 195 7200	1	Pawl		
11	* 1117 195 7200	1	Pawl		15373614
12	1118 162 8935	1	Washer		
13	1117 195 3500	1	Spring		
14	1121 195 3400	1	Starter grip		
15	9048 216 1010	3	Pan head screw M5x18		
16	9482 435 0390	1	Woodruff key 3x3 7		
17	1108 400 0800	1	Ignition module	18 - 22	
18		1	Ignition lead 295 mm (D)		
	0000 405 0600	1	Ignition lead 1 m (B)		
	0000 930 2251	1	Ignition lead 10 m (B)		
19	0000 989 1010	1	Grommet		
20	1108 440 1102	1	Short circuit wire 225 mm / 8.7/8"	21, 22	
	0751 010 1110	1	Cable 10 m (B)		
21	0751 030 8492	1	Terminal socket (C)		
22	0751 030 8957	1	Terminal socket 4.8-1/0.8 (C)		
23	0000 989 0810	1	Grommet		
24	9022 313 0680	2	Pan head screw IS M4x16		
25	9291 021 0100	2	Washer 4.3		
26	1115 400 1208	1	Flywheel		
27	9211 260 1340	1	Hexagon nut M10x1		
28	* 1115 086 0501	1	Fanwheel		14038763
29	* 9048 216 0960	3	Pan head screw M5x12		14038763
30	* 1115 400 1206	1	Flywheel (Bosch)		14038763

(1) 056, (2) 056 M, (3) 056 S

Carburetor box

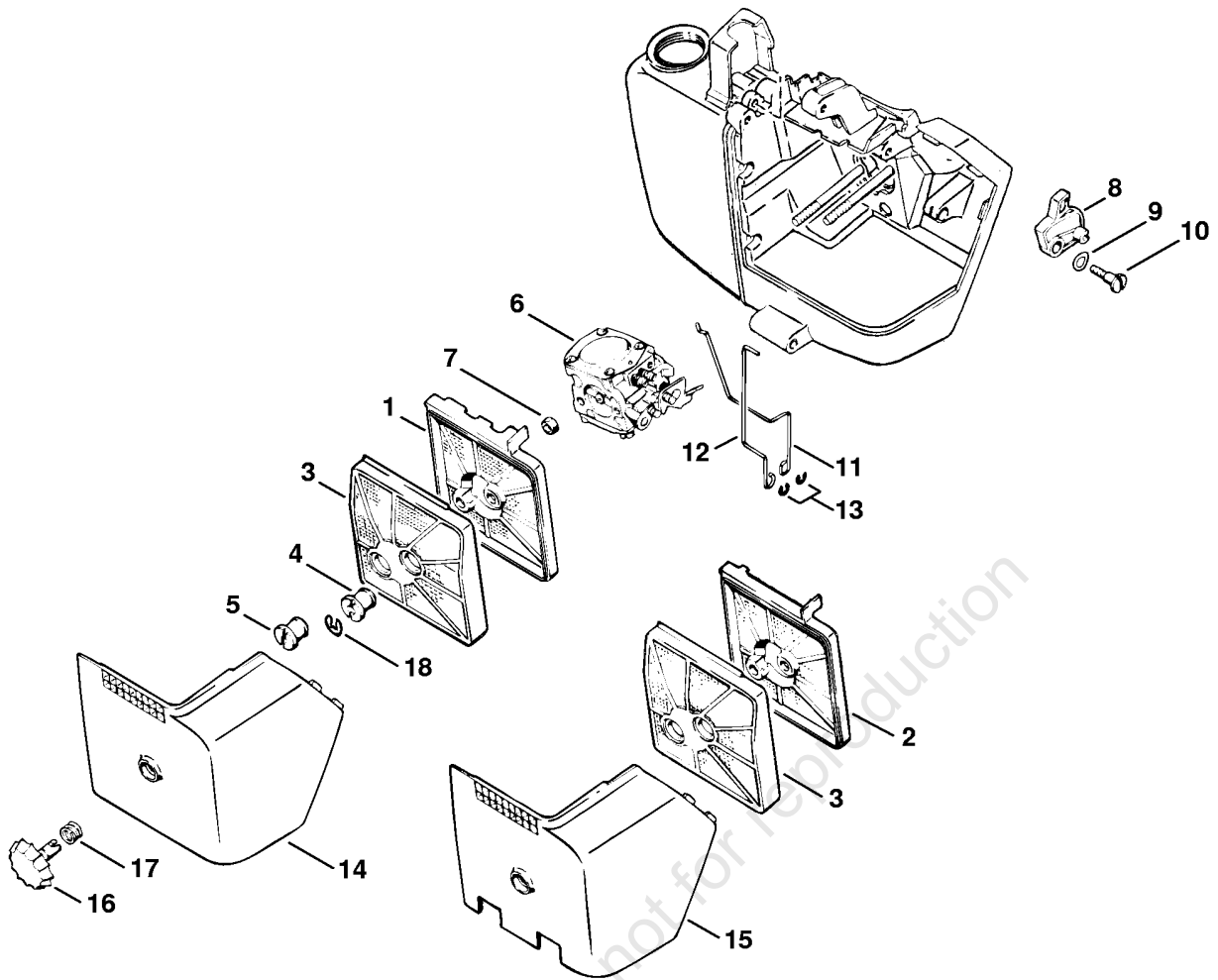


123ET014 SC

(1) 056, (2) 056 M, (3) 056 S

Carburetor box

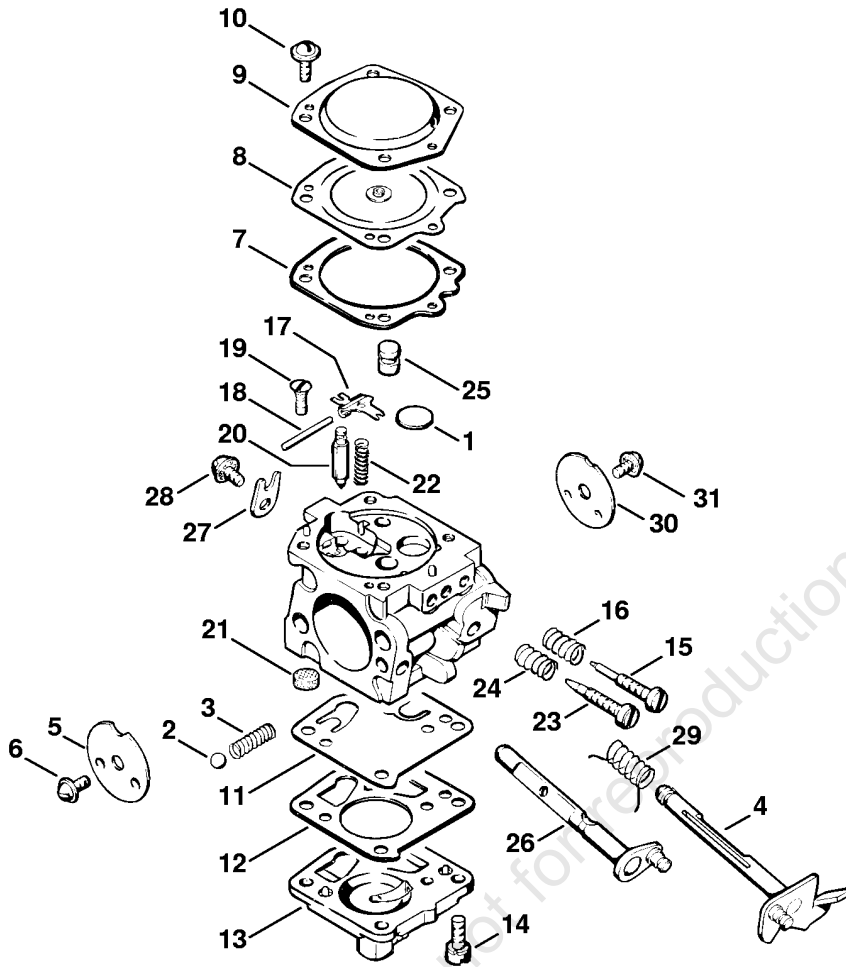
Reference	Item number	Qty	Description	Contains
1	1115 140 1700	1	Carburetor box	2 - 4
2	1112 122 3900	1	Elbow connector	
3	1115 121 7700	1	Guide piece	
4	1110 122 6201	1	Idle speed screw	
5	9121 319 1120	2	Stud M5x55	
6	1115 358 7700	1	Hose	
7	0000 350 3500	1	Pickup body	
8	1115 359 0700	1	Gasket	
9	1115 351 0500	1	Tank housing	
10	1111 430 0210	1	Stop switch	
11	9211 260 1430	1	Hexagon nut M12x0.75	
12	1110 350 0500	1	Filler cap (2)	13 - 18
13	1110 353 8102	1	Insert	
14	0000 951 5800	1	Grub screw	
15	9645 945 2820	1	O-ring 25x2.5	
16	1110 353 2108	1	Valve body (2)	
17	1110 353 1600	1	Valve (2)	
18	1117 350 0905	1	Filler cap retainer (2)	
19	1110 350 0501	1	Filler cap (3)	13 - 15, 20, 21
20	1117 350 0905	1	Filler cap retainer (3)	
21	9099 021 2360	1	Self-tapping screw 3.5x9.5 (3)	
22	9048 319 0680	7	Pan head screw M4x16	
23	1115 440 2200	1	Ground wire	



129ET016 SC

Air filter

Reference	Item number	Qty	Description	Contains
		1	Air filter (C) (3)	1, 3 - 5
	1115 120 1615	1	Air filter, flocked (B)	1, 3 - 5
	1115 120 1630	1	Air filter (2)	2 - 5
1	1115 120 1610	1	Air filter (3)	
1	1115 120 1625	1	Air filter, flocked (B)	
2	1115 120 1629	1	Air filter (2)	
3	1115 120 1605	1	Air filter (2,3)	
3	1115 120 1620	1	Air filter, flocked (B)	
4	1113 140 9510	1	Slotted nut	
5	1113 141 8305	1	Slotted nut	
6	1115 120 0600	1	Carburetor HS-118B	
6	1115 120 0602	1	Carburetor WJ-4B	
7	9210 261 0700	2	Hexagon nut M5	
8	1115 185 2000	1	Choke lever	
9	9322 630 0140	1	Spring washer 6	
10	0000 951 2600	1	Oval head screw M4x10	
11	1115 182 1500	1	Throttle rod	
12	1115 185 1900	1	Choke rod	
13	9460 624 0320	2	E-clip 3.2	
14	1115 141 1000	1	Carburetor box cover (3)	
15	1115 141 1020	1	Carburetor box cover (2)	
16	1113 140 9200	1	Twist lock	
17	0000 997 0927	1	Compression spring	
18	9460 624 0500	1	E-clip 5	



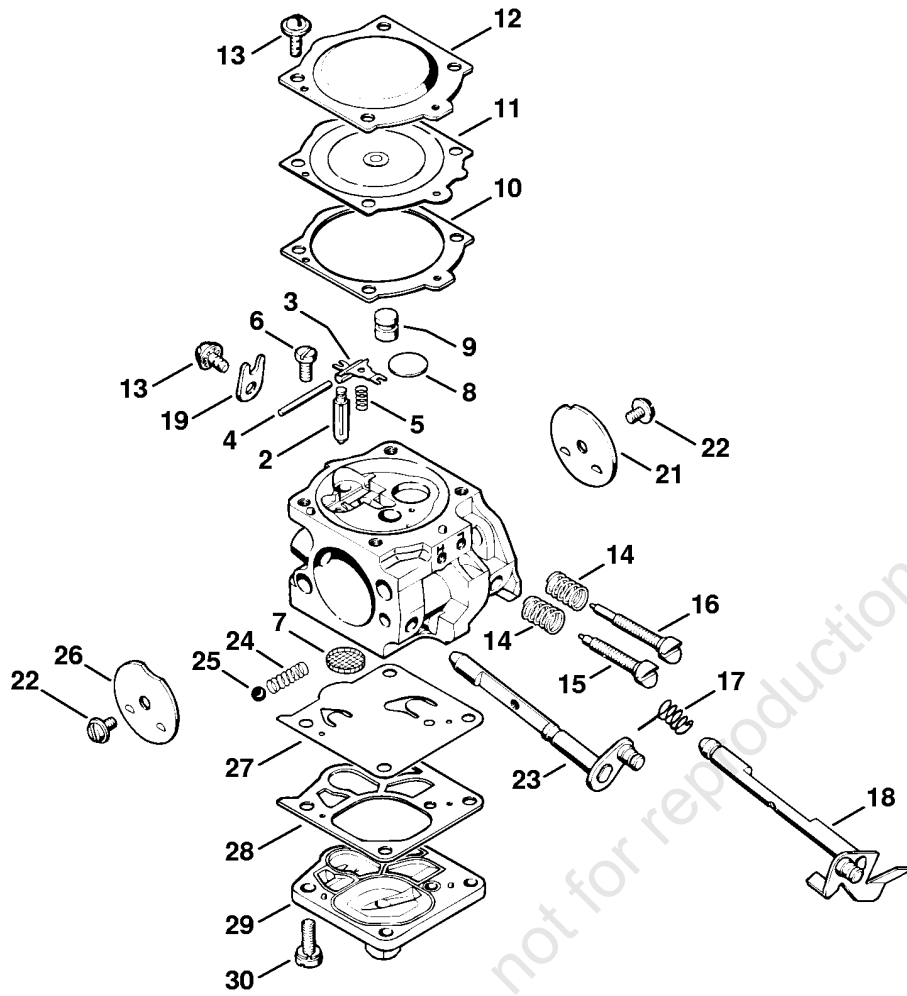
123ET017 SC

(1) 056, (2) 056 M, (3) 056 S

Carburetor HS-118

Reference	Item number	Qty	Description	Contains
	1115 120 0600	1	Carburetor HS-118B	1 - 31
1	1110 122 9410	1	Plug	
2	1110 122 4200	1	Ball	
3	1108 122 3001	1	Spring	
4	1115 120 7100	1	Throttle shaft with lever	
5	1115 121 2900	1	Choke shutter	
6	1110 122 7400	1	Round head screw	
7	1110 129 0900	1	Gasket	
8	1110 121 4700	1	Metering diaphragm	
9	1110 121 0811	1	End cover	
10	1106 122 7400	4	Round head screw	
11	1110 121 4800	1	Pump diaphragm	
12	1110 129 1110	1	Gasket	
13	1115 121 0800	1	End cover	
14	1110 122 7700	4	Oval head screw	
15	1110 122 6800	1	Low speed screw	
16	1110 122 3030	1	Spring	
17	1124 121 5000	1	Inlet control lever	
18	1110 121 9200	1	Spindle	
19	1110 122 7800	1	Oval head screw	
20	1110 121 5100	1	Inlet needle	
21	4221 121 7800	1	Strainer	
22	1110 122 3020	1	Spring	
23	1111 122 6700	1	High speed screw	
24	1106 122 3000	1	Spring	
25	1111 121 5400	1	Valve jet	
26	1115 120 7200	1	Choke shaft with lever	
27	1110 122 9300	1	Clip	
28	1110 122 7400	1	Round head screw	
29	1110 122 3200	1	Torsion spring	
30	1115 121 3300	1	Throttle shutter	
31	1110 122 7400	1	Round head screw	
	1115 007 1060	1	Set of carburetor parts	7, 8, 11, 12

Carburetor WJ-4



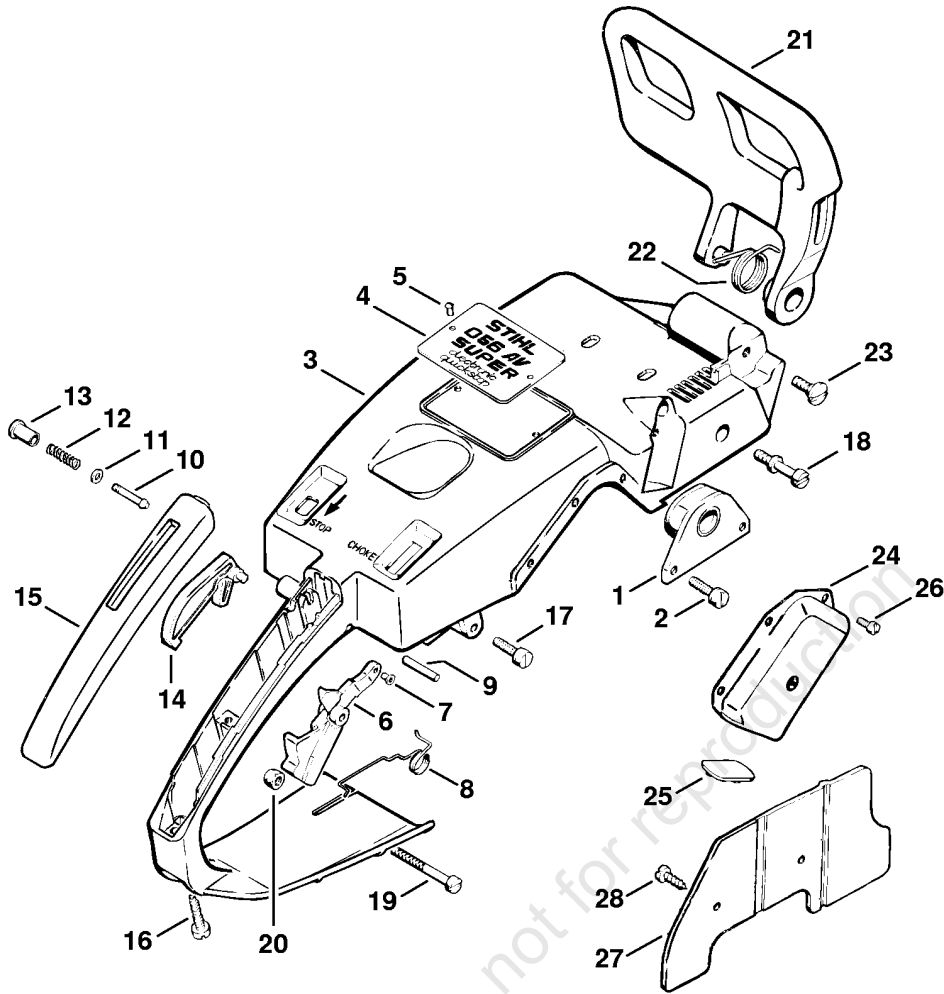
123ET018 SC

(1) 056, (2) 056 M, (3) 056 S

Carburetor WJ-4

Reference	Item number	Qty	Description	Contains
	1115 120 0602	1	Carburetor WJ-4B	2 - 30
2	1110 121 5100	1	Inlet needle	
3	1117 121 5000	1	Inlet control lever	
4	1117 121 9200	1	Spindle	
5	1117 122 3005	1	Spring	
6	1114 122 7400	1	Round head screw	
7	1114 121 7800	1	Strainer	
8	1115 121 0700	1	Cup plug	
9	1115 121 5401	1	Valve jet	
10	1116 129 0900	1	Gasket	
11	1117 121 4700	1	Metering diaphragm	
12	1117 121 0800	1	End cover	
13	1106 122 7400	5	Round head screw	
14	1115 122 3002	2	Spring	
15	1115 122 6700	1	High speed screw	
16	1115 122 6800	1	Low speed screw	
17	1115 122 3200	1	Torsion spring	
18	1115 120 7101	1	Throttle shaft with lever	
19	1110 122 9300	1	Clip	
21	1115 121 3301	1	Throttle shutter	
22	1115 122 7400	2	Round head screw	
23	1115 120 7201	1	Choke shaft with lever	
24	1115 122 3001	1	Spring	
25	1115 122 4200	1	Ball	
26	1117 121 2900	1	Choke shutter	
27	1115 121 4800	1	Pump diaphragm	
28	1115 129 1100	1	Gasket	
29	1115 120 0800	1	End cover	
30	1121 122 7101	4	Screw	
	1122 007 1060	1	Set of carburetor parts	10, 11, 27, 28

Handle frame

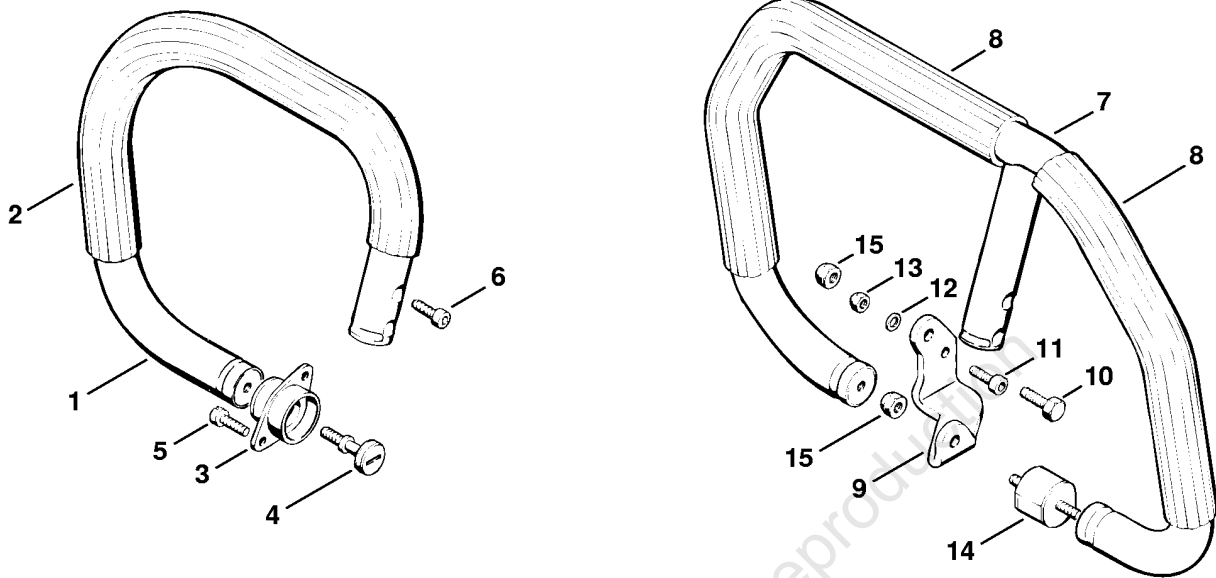


123ET019 SC

Handle frame

Reference	Item number	Qty	Description	Contains
1	1115 790 9900	1	Annular buffer	
2	9048 216 1010	2	Pan head screw M5x18	
3	1115 790 5600	1	Handle frame	
4	1115 967 1502	1	Model plate 056 AVSEQ	
	1115 967 1506	1	Model plate 056 AV Magnum II	
	1115 967 1503	1	Model plate 056 AVSE	
5	9441 065 1270	2	Round head rivet 2.6x6	
6	1115 180 1501	1	Throttle trigger	7
7	9415 415 2240	1	Hollow rivet 3x0.3x5	
8	0000 998 1205	1	Torsion spring	
9	9371 470 2640	1	Cylindrical pin 5x24	
10	1113 182 8900	1	Pin	
11	0000 958 0403	1	Washer	
12	0000 997 0603	1	Compression spring	
13	1113 182 9305	1	Starting throttle lock	
14	1115 182 0801	1	Lockout lever	
15	1115 791 0601	1	Handle molding	
16	9099 021 0850	1	Self tapping screw 4.8x22	
17	9048 216 1010	3	Pan head screw M5x18	
18	1113 791 6110	1	Collar screw	
19	9043 216 1101	1	Pan head screw M5x45	
20	9214 320 0700	1	Lock nut M5	
21	1115 792 9105	1	Hand guard	
22	1113 791 8200	1	Torsion spring	
23	0000 951 2904	1	Oval head screw M6x3.2x12	
24	1115 007 1015	1	Intake air preheating kit (B)	25 - 28
25	1115 145 9000	1	Plug (B)	
26	9047 319 0650	3	Pan head screw M4x10 (B)	
27	1115 084 8200	1	Cover plate (B)	
28	9099 021 2770	2	Self-tapping screw 3.9x13 (B)	

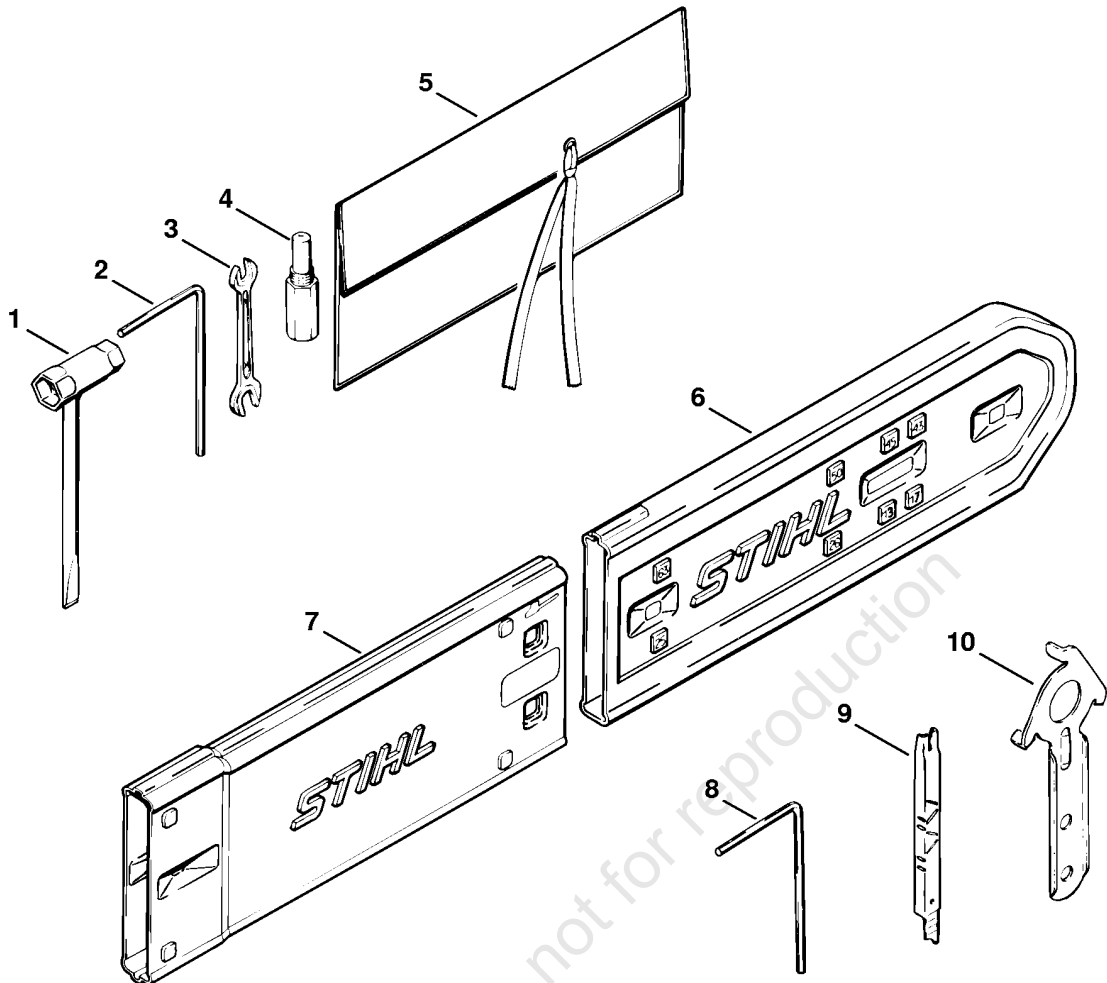
(1) 056, (2) 056 M, (3) 056 S



123ET020 SC

Handlebar

Reference	Item number	Qty	Description	Contains
1	1115 790 1700	1	Handlebar with hose	2
2		1	Hose 395 mm / 14 9/16"	
	0000 791 2008	1	Handle hose Ø 21 mm x 5 m / 7/8x197" (B)	
3	1115 790 9901	1	Annular buffer	
4	1115 791 6101	1	Collar screw	
5	9048 216 1010	2	Pan head screw M5x18	
6	9036 341 1050	2	Socket head screw M5x25	
7	1115 790 3607	1	Wrap around handlebar	8
8		2	Handle hose 220, 370 mm / 8 11/16", 14 9/16"	
9	1115 791 4401	1	Bracket	
10	9008 319 1320	1	Hexagon head screw M6x20	
11	9045 371 0980	1	Socket head screw M5x16	
12	9291 021 0120	1	Washer 5.3	
13	9214 320 0700	1	Lock nut M5	
14	1115 790 9601	1	Annular buffer	
15	9214 320 0900	2	Lock nut M6	



online version, not for reproduction

123ET030 SC

Tools, Extras

Reference	Item number	Qty	Description	Contains	Up to
	1115 890 1400	1	Tool kit	1 - 5	
1	1110 890 3401	1	Combination wrench		
2	0811 270 1080	1	Allen key 4x70x130		
3	0811 012 1152	1	Wrench 8x10		
4	1107 191 1201	1	Locking screw		
5	0000 891 0810	1	Tool roll		
6	0000 792 9129	1	Chain scabbard		
7	0000 792 9132	1	Chain scabbard extension up to 63 cm (B,C)		
8	0811 270 1100	1	Allen key 5x110x70 (B)		
9	1110 893 4000	1	Filing gauge (B)		
	1115 007 1050	1	Set of gaskets (A)		
10	* 1115 893 1300	1	Wrench		7618600

online version, not for reproduction