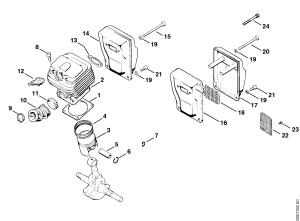
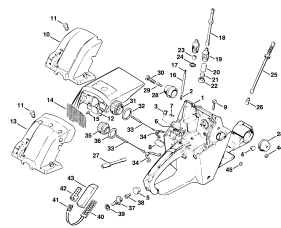


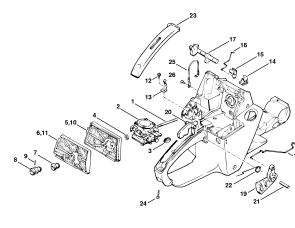
Crankcase, Crankshaft



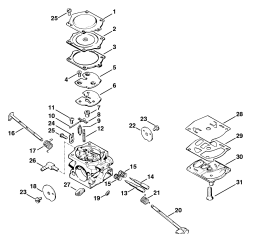
Cylinder, Muffler



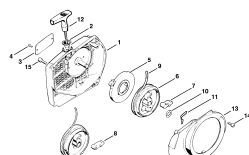
Tank housing



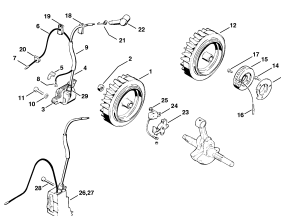
Air filter



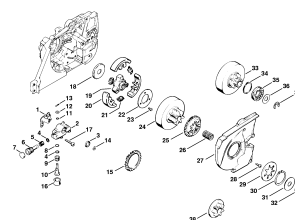
Carburetor



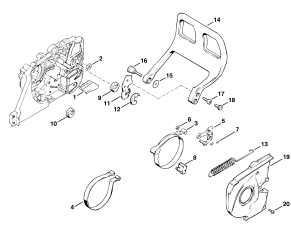
Rewind starter



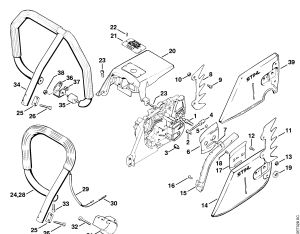
Ignition system



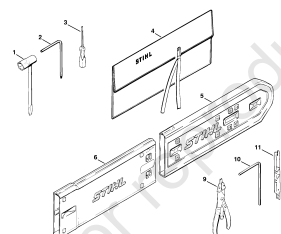
Oil pump, Clutch



Inertia chain brake



Chain sprocket cover,
Handlebar



Tools, Extras

online version, not for production

Description

Crankcase, Crankshaft

Cylinder, Muffler

Tank housing

Air filter

Carburetor

Rewind starter

Ignition system

Oil pump, Clutch

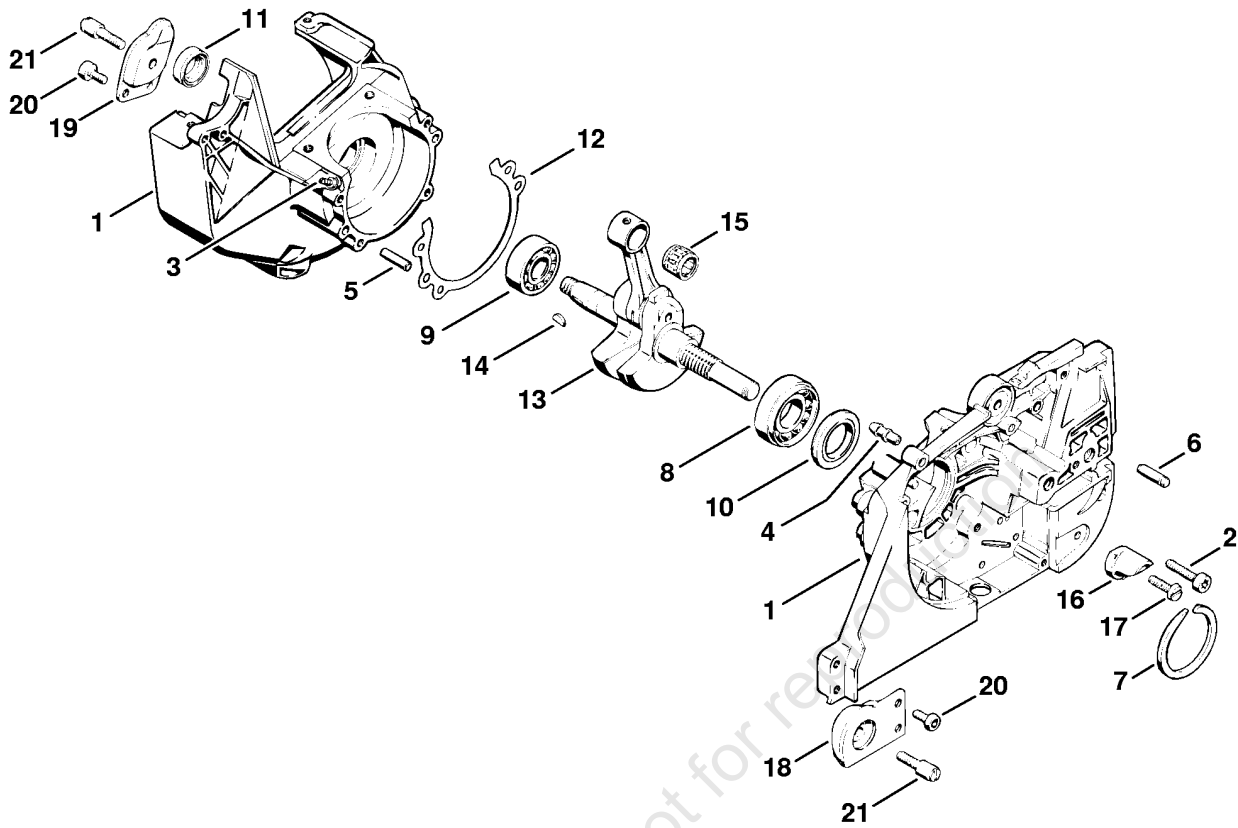
Inertia chain brake

Chain sprocket cover, Handlebar

Tools, Extras

online version, not for reproduction

Crankcase, Crankshaft

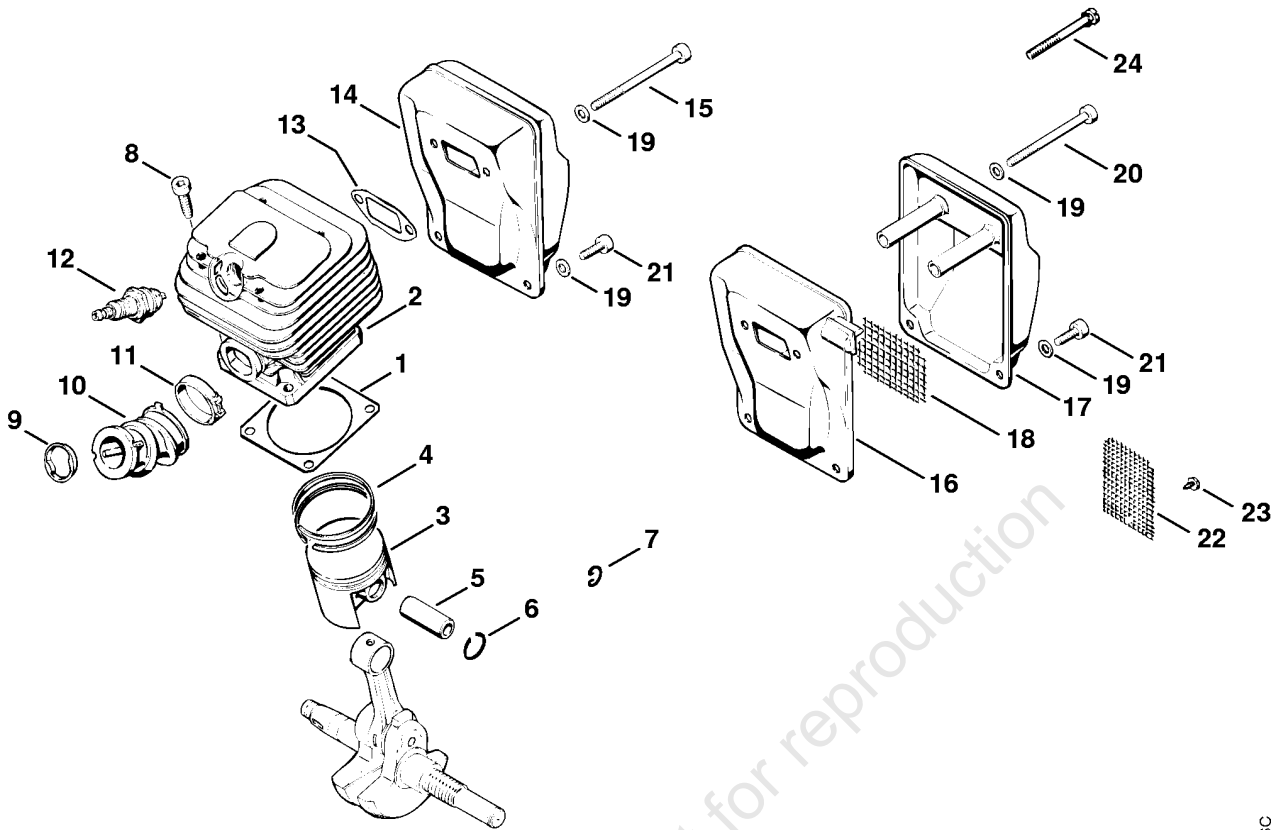


122ET001 SC

Crankcase, Crankshaft

Reference	Item number	Qty	Description	Contains
1	1117 020 2106	1	Crankcase	2 - 9
2	9022 371 1050	4	Spline screw IS-M5x25	
3	0000 988 5211	1	Connector	
4	0000 988 5202	1	Connector	
5	9371 470 3120	2	Cylindrical pin 6x20	
6	1117 162 5225	1	Pin	
7	9465 620 2690	1	Snap ring 44	
8	9523 003 4360	1	Grooved ball bearing 20x42x14	
9	9503 003 0340	1	Grooved ball bearing 6202	
10	9640 003 3990	1	Oil seal 20x35.8x4	
11	9640 003 1570	1	Oil seal 15x24x7	
12	1117 029 0501	1	Gasket	
13	1117 030 0401	1	Crankshaft	14
14	1120 036 8500	1	Woodruff key 2x3.7	
15	9512 003 3410	1	Needle cage 13x17x14.5	
16	1117 656 7700	1	Chain catcher	
17	9041 216 1310	1	Pan head screw M6x18	
18	1117 790 9907	1	Annular buffer	
19	1117 790 9913	1	Annular buffer	
20	9022 341 0960	2	Spline screw IS-M5x12	
21	1117 791 6102	2	Pan head screw M6x28	

Cylinder, Muffler



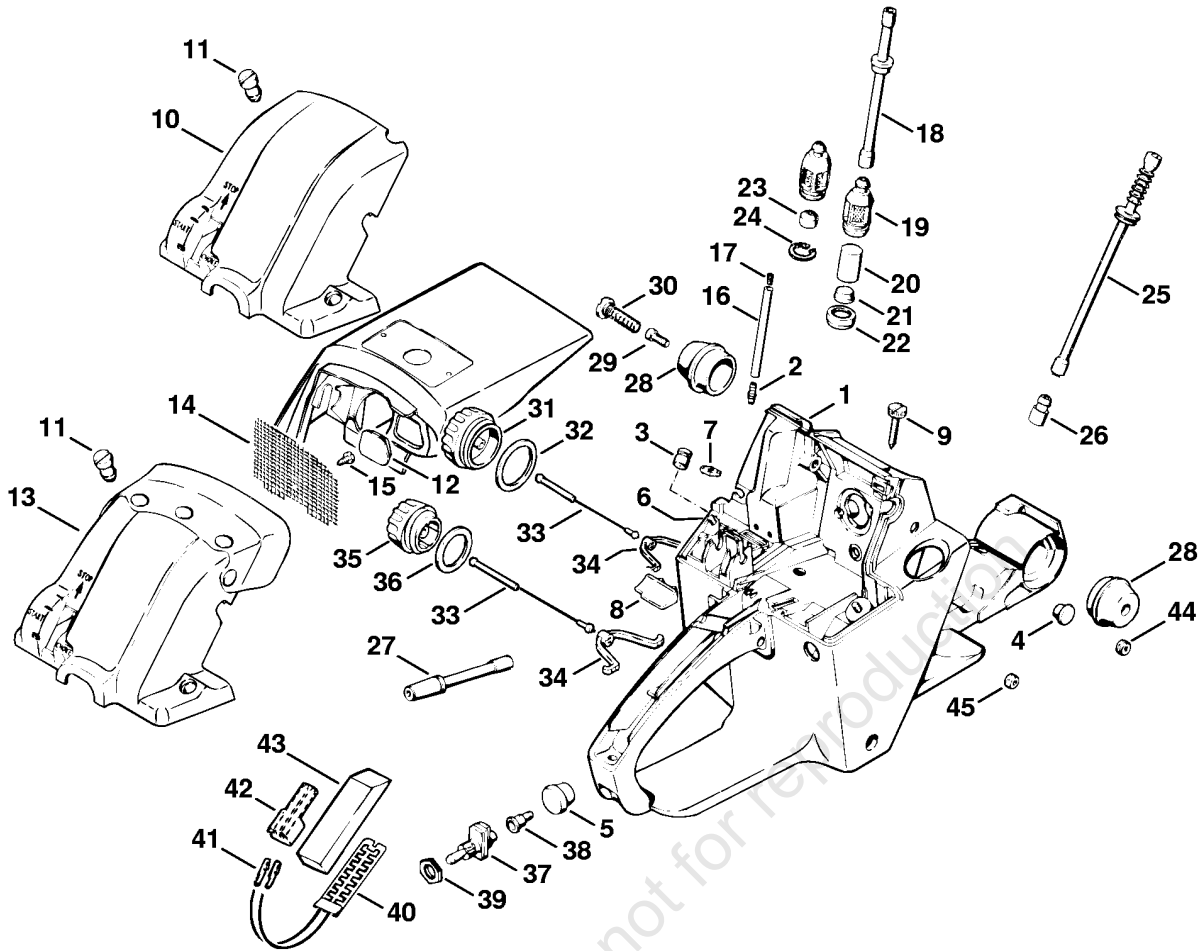
122ET000 SC

(1) 048, (2) 048 AV, (3) 048 AVE, (4) 048 RS, (5) 048 S, (6) 048 W

Cylinder, Muffler

Reference	Item number	Qty	Description	Contains	Up to
1	1117 029 2301	1	Cylinder gasket		
2	1117 020 1201	1	Cylinder with piston Ø 52 mm	3 - 6	
3	1117 030 2001	1	Piston Ø 52 mm	4 - 6	
4	1115 034 3010	2	Piston ring Ø 52x1.5 mm		
5	1115 034 1500	1	Piston pin 13x8x34		
6	9463 650 1300	2	Snap ring 13x1		
7	* 9462 650 1300	2	Snap ring 13		15295349
8	9022 341 1350	4	Spline screw IS-M6x25		
9	1117 141 1800	1	Sleeve		
10	1117 141 2200	1	Manifold		
11	9771 021 2580	1	Hose clip Ø 34x7		
12	0000 400 7000	1	Spark plug NGK BPMR7A		
12	1110 400 7005	1	Spark plug Bosch WSR 6 F		
13	1115 149 0600	1	Muffler gasket		
14	1117 140 0612	1	Muffler		
15	9022 341 1190	2	Spline screw IS-M5x72		
	1117 140 0603	1	Muffler	16 - 18	
16	1117 145 0703	1	Inlet casing		
17	1117 145 0803	1	Outlet-shell		
18	1117 141 9000	1	Screen		
19	9291 021 0120	1	Washer 5.3		
20	9022 341 1150	2	Spline screw IS-M5x65		
21	9022 341 0980	2	Spline screw IS-M5x16		
22	* 1111 141 9000	1	Screen		12801304
23	* 9099 021 0810	1	Self-tapping screw 4.2x9.5		12801304
24	* 9049 319 1120	2	Pan head screw M5x55		12801304

Tank housing



122ET023 SC

(1) 048, (2) 048 AV, (3) 048 AVE, (4) 048 RS, (5) 048 S, (6) 048 W

Tank housing

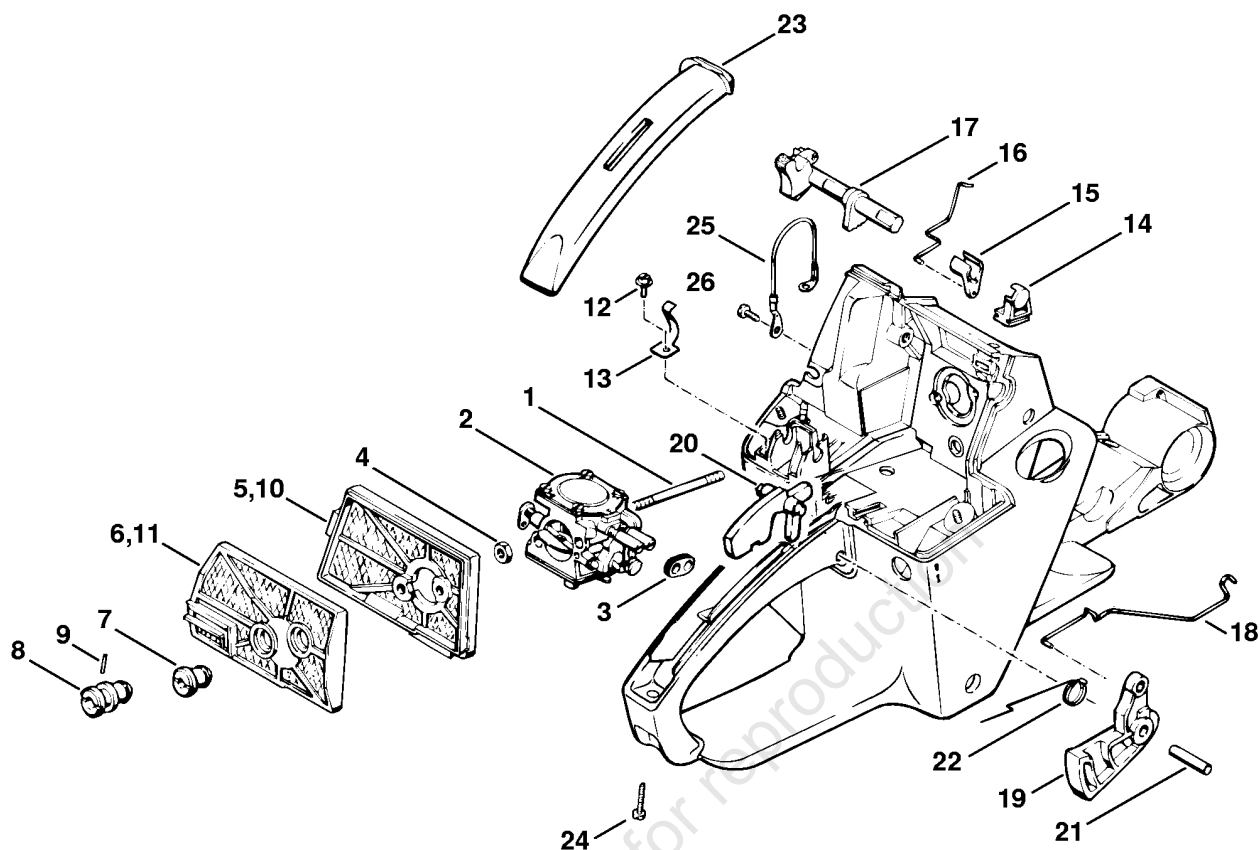
Reference	Item number	Qty	Description	Contains
1	1117 350 0806	1	Tank housing	2 - 11
2	0000 988 5203	1	Connector	
3	1128 640 9100	1	Valve	
4	9302 929 0400	1	Plug 9	
5	1110 145 9001	1	Plug	
6	0000 953 0818	2	Stud M5	
7	1115 121 7700	1	Guide piece	
8	1117 432 9200	1	Support	
9	1117 122 6200	1	Idle speed screw	
10	1117 141 1005	1	Carburetor box cover	
11	1114 141 8300	2	Slotted nut	
12	1118 145 9000	1	Plug (B)	
13	1117 140 1900	1	Carburetor box cover (B)	11, 14, 15
14	1117 124 1500	1	Prefilter (B)	
15	9099 021 2740	1	Self-tapping screw 3.9x9.5 (B)	
16	1117 350 5800	1	Tank vent	17
17	1120 358 8105	2	Vent insert	
18	1117 358 7700	1	Fuel hose	
19	1115 350 3503	1	Pickup body (C)	20 - 22
20	1110 358 1800	1	Filter	
21	1115 358 8200	1	Weight (C)	
22	1115 358 2500	1	Cap (C)	
23	* 1111 358 9100	1	Insert (C)	
24	* 9456 621 1130	1	Circlip 12x1	
25	1117 647 9401	1	Hose	
26	1117 640 3800	1	Pickup body	
27	1115 141 8600	1	Impulse hose	
28	1117 790 9900	2	Annular buffer	
29	1114 652 8900	1	Locking screw M5x12	
30	1117 791 6105	1	Collar screw	
31	0000 350 0520	1	Filler cap	32 - 34
32	0000 359 1220	1	Sealing ring	
33	0000 350 0900	1	Rope	
34	0000 353 0600	1	Hook	
35	0000 350 0510	1	Filler cap	33, 34, 36
36	0000 359 1210	1	Sealing ring	
37	1121 430 0200	1	Heating switch (6)	
38	1110 432 9200	1	Grommet (6)	

(1) 048, (2) 048 AV, (3) 048 AVE, (4) 048 RS, (5) 048 S, (6) 048 W

Tank housing

Reference	Item number	Qty	Description	Contains
39	9211 260 1430	1	Hexagon nut M12x0.75 (6)	
40	1118 434 5000	1	Heating element (6)	41
41	1118 431 6700	2	Terminal socket (C) (6)	
42	1118 791 9001	1	Clamp (6)	
43	1121 791 9000	1	Clamp (6)	
44	0000 989 0811	1	Grommet (6)	
45	0000 989 0802	1	Grommet (6)	

online version, not for reproduction

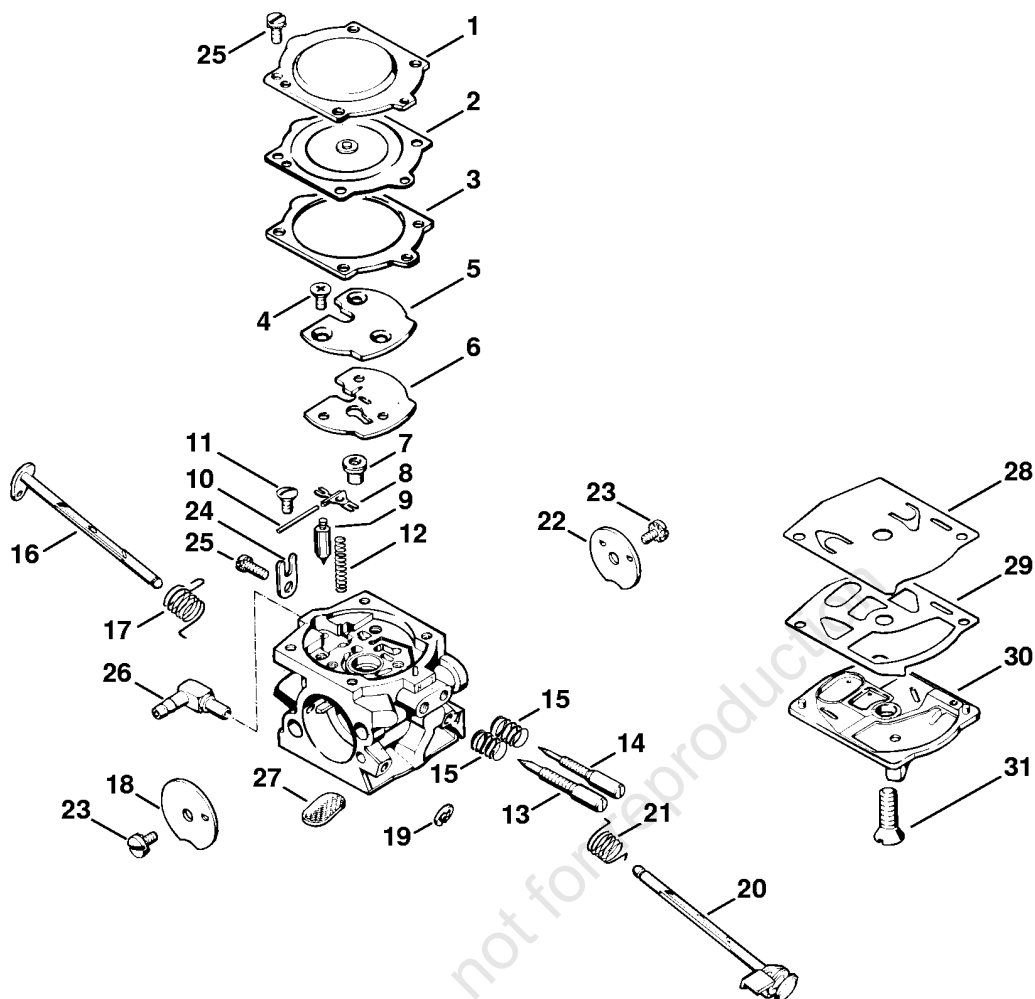


122ET006 SC

(1) 048, (2) 048 AV, (3) 048 AVE, (4) 048 RS, (5) 048 S, (6) 048 W

Air filter

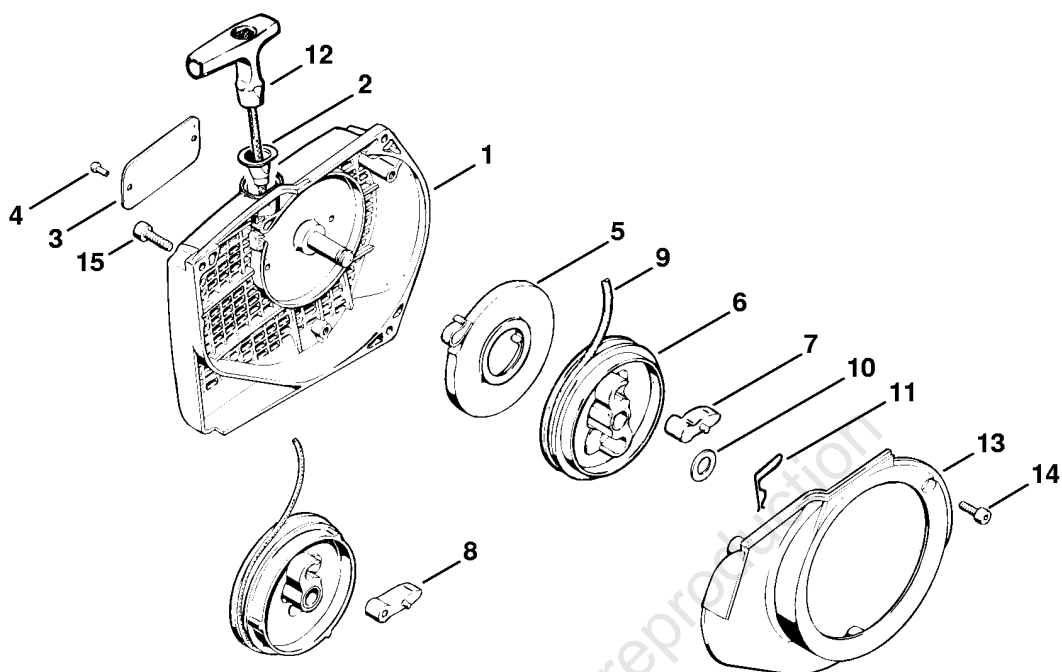
Reference	Item number	Qty	Description	Contains
1	9121 319 1120	2	Stud M5x55	
2	1117 120 0603	1	Carburetor WS-25	
3	1110 141 8800	1	Grommet	
4	9210 261 0700	2	Hexagon nut M5	
	1117 120 1610	1	Air filter, wire mesh	5 - 9
5	1117 120 1601	1	Air filter	
6	1117 120 1606	1	Air filter	
7	1113 141 8305	1	Slotted nut	
8	1117 140 9500	1	Slotted nut	9
9	9517 003 0160	1	Cylindrical roller A1.5x9.8	
	1117 120 1611	1	Air filter, flocked (B)	7 - 11
10	1117 120 1602	1	Air filter (B)	
11	1117 120 1607	1	Air filter (B)	
12	9047 319 0630	1	Pan head screw M4x8	
13	1117 442 1600	1	Contact spring	
14	1117 182 4400	1	Bearing	
15	1117 182 0801	1	Lever	
16	1117 185 1900	1	Choke rod	
17	1117 182 0900	1	Switch shaft	
18	1117 182 1500	1	Throttle rod	
19	1117 007 1009	1	Throttle lever kit	20
20	1117 182 0805	1	Lockout lever	
21	9371 470 2640	1	Cylindrical pin 5x24	
22	1117 182 4500	1	Torsion spring	
23	1118 791 0602	1	Handle molding	
24	9099 021 2810	1	Self-tapping screw 3.9x19	
25	1118 440 2200	1	Ground wire	
26	9039 488 0630	1	Self-tapping screw M4x8	



(1) 048, (2) 048 AV, (3) 048 AVE, (4) 048 RS, (5) 048 S, (6) 048 W

Carburetor

Reference	Item number	Qty	Description	Contains
	1117 120 0603	1	Carburetor WS-25	1 - 31
1	1117 121 0800	1	End cover	
2	1117 121 4700	1	Metering diaphragm	
3	1116 129 0900	1	Gasket	
4	1111 122 7100	3	Screw (C)	
5	1117 121 7400	1	Plate	
6	1117 129 0900	1	Gasket	
7	1117 121 5400	1	Valve jet	
8	1117 121 5000	1	Inlet control lever	
9	1110 121 5100	1	Inlet needle	
10	1117 121 9200	1	Spindle	
11	1114 122 7400	1	Round head screw	
12	1117 122 3005	1	Spring	
13	1117 122 6705	1	High speed screw	
14	1117 122 6805	1	Low speed screw	
15	1106 122 3000	2	Spring	
16	1117 120 7200	1	Choke shaft with lever	
17	1117 122 3200	1	Torsion spring	
18	1117 121 2900	1	Choke shutter	
19	1117 122 9000	1	E-clip	
20	1117 120 7100	1	Throttle shaft with lever	
21	1117 122 3205	1	Torsion spring	
22	1117 121 3300	1	Throttle shutter	
23	1117 122 7400	2	Round head screw	
24	1110 122 9300	1	Clip	
25	1106 122 7400	5	Round head screw	
26	1117 122 3901	1	Elbow connector	
27	1117 121 7800	2	Strainer	
28	1117 121 4800	1	Pump diaphragm	
29	1111 129 0900	1	Gasket (C)	
30	1117 120 0805	1	End cover	
31	1117 122 7905	1	Countersunk screw	



online version, not for reproduction

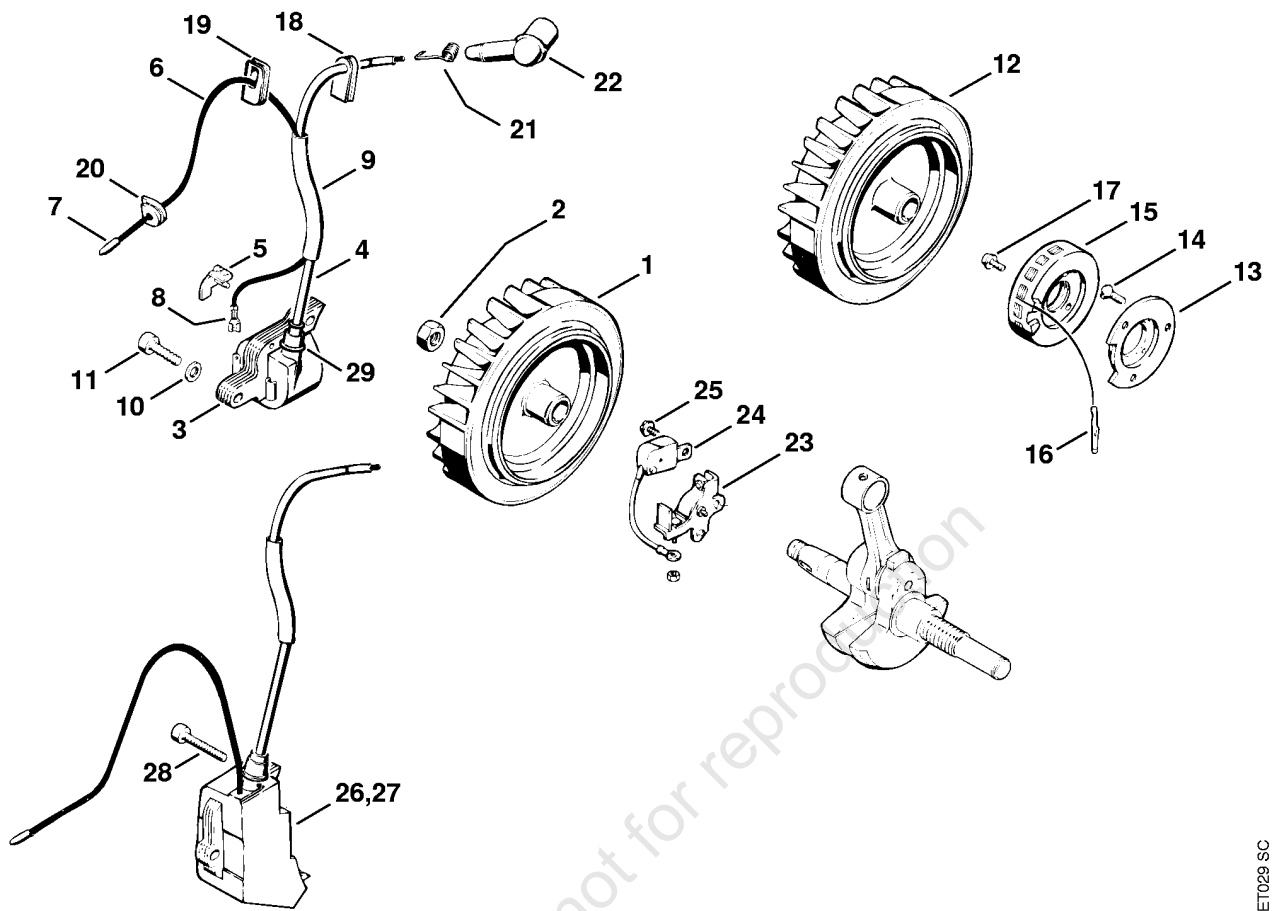
122ET024 SC

Rewind starter

Reference	Item number	Qty	Description	Contains	Up to
1	1117 080 1801	1	Fan housing	2 - 4	
2	1110 084 9102	1	Bushing		
3	0000 967 2020	1	Nameplate STIHL		
4	0000 974 1000	2	Round head rivet 3x6		
5	1117 190 0601	1	Rewind spring		
6	1117 007 1014	1	Rope rotor kit	7	
7	1124 195 7200	1	Pawl		
8	* 1117 195 7200	1	Pawl		15430775
9	1107 195 8200	1	Starter rope Ø 4.5x1000 mm		
10	1118 162 8935	1	Washer		
11	1117 195 3500	1	Spring		
12	1121 195 3400	1	Starter grip		
13	1117 084 7800	1	Segment		
14	9022 313 0660	3	Spline screw IS-M4x12		
15	9022 341 1010	2	Spline screw IS-M5x18		

online version, not for reproduction

Ignition system



online version, not for reproduction

122ET029 SC

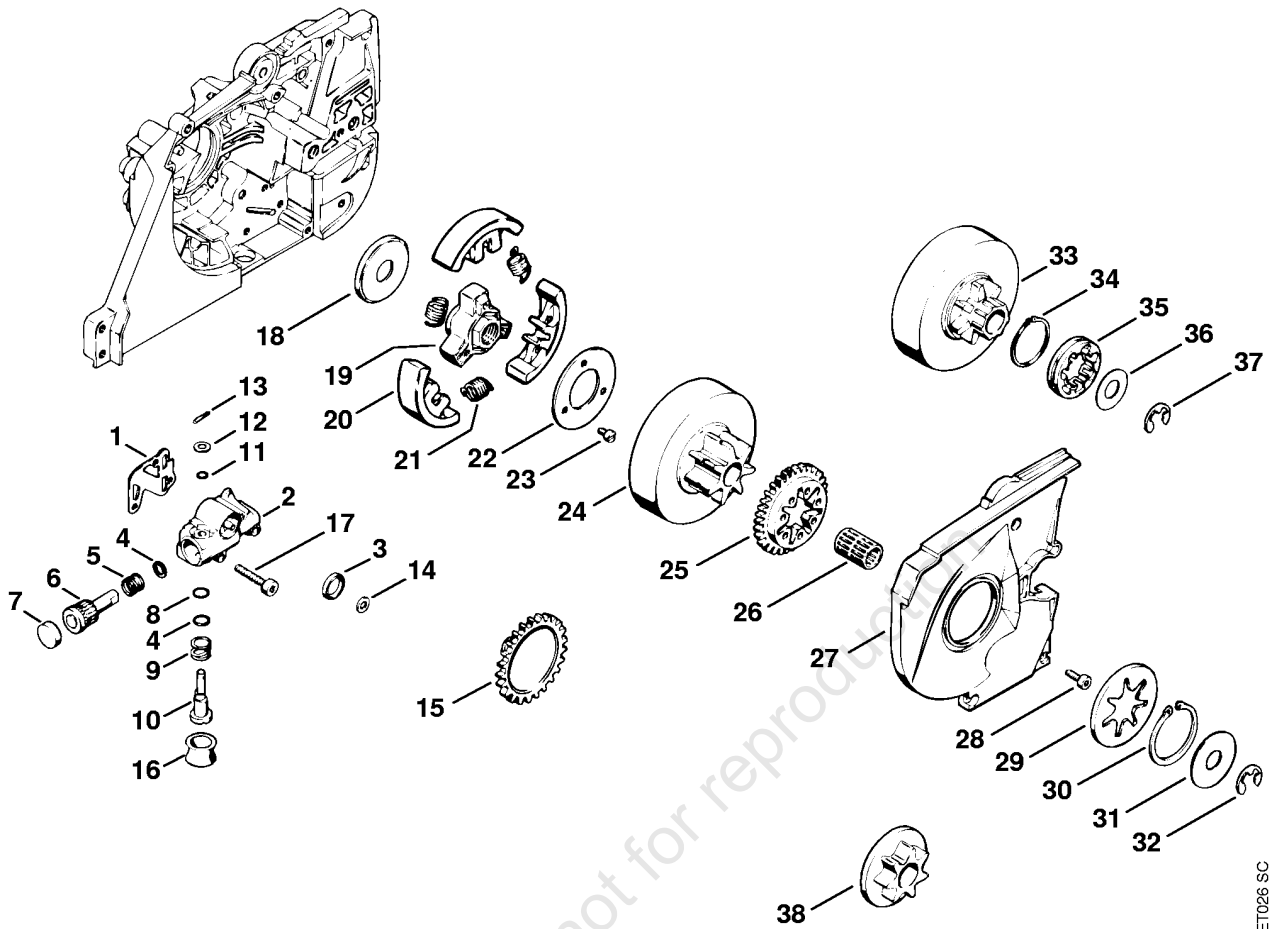
(1) 048, (2) 048 AV, (3) 048 AVE, (4) 048 RS, (5) 048 S, (6) 048 W

Ignition system

Reference	Item number	Qty	Description	Contains	Up to	From Machine
1	1117 400 1206	1	Flywheel (1,4,5)			
2	9210 261 1140	1	Hexagon nut M8x1			
3	0000 400 1300	1	Ignition module	4, 5, 29		
4		1	Ignition lead 160 mm (D)			
	0000 405 0600	1	Ignition lead 1 m (A,B)			
	0000 930 2251	1	Ignition lead 10 m (A,B)			
5	1125 448 1201	1	Lead retainer			
6	1118 440 1100	1	Short circuit wire 330 mm / 13"	7, 8		
7	1110 442 7000	1	Contact sleeve (C)			
8	0751 030 8953	1	Terminal socket 4.8-1 (C)			
9	1117 442 0905	1	Insulating hose 110 mm / 4.3"			
10	9294 021 0120	2	Washer 5.3			
11	9022 371 1050	2	Spline screw IS-M5x25			
12	1117 400 1207	1	Flywheel (6)			
13	1118 028 0700	1	Flange (6)			
14	9062 319 0650	3	Countersunk screw M4x10 (6)			
15	1128 404 3500	1	Generator (6)			
16	1118 431 6600	1	Terminal pin (C) (6)			
17	9048 319 0650	3	Pan head screw M4x10 (6)			
18	0000 989 0509	1	Grommet			
19	0000 989 0506	1	Grommet			
20	0000 989 0507	1	Grommet			
21	0000 998 0603	1	Torsion spring			
22	1106 405 1000	1	Spark plug boot			
23	* 1118 400 2000	1	Set of points (2)		7696410	
24	* 1118 404 3400	1	Capacitor (2)		7696410	
25	* 9047 319 0650	3	Pan head screw M4x10 (2)		7696410	
26	*	1	Ignition module SEM (C) (6)	3 - 5, 12, 29		15296714
27	*	1	Ignition module SEM (C) (4)	3 - 5, 29		11169021
28	* 9045 319 1070	1	Socket head screw M5x30			
29	0000 989 1010	1	Grommet			

(1) 048, (2) 048 AV, (3) 048 AVE, (4) 048 RS, (5) 048 S, (6) 048 W

Oil pump, Clutch



122ET026 SC

(1) 048, (2) 048 AV, (3) 048 AVE, (4) 048 RS, (5) 048 S, (6) 048 W

Oil pump, Clutch

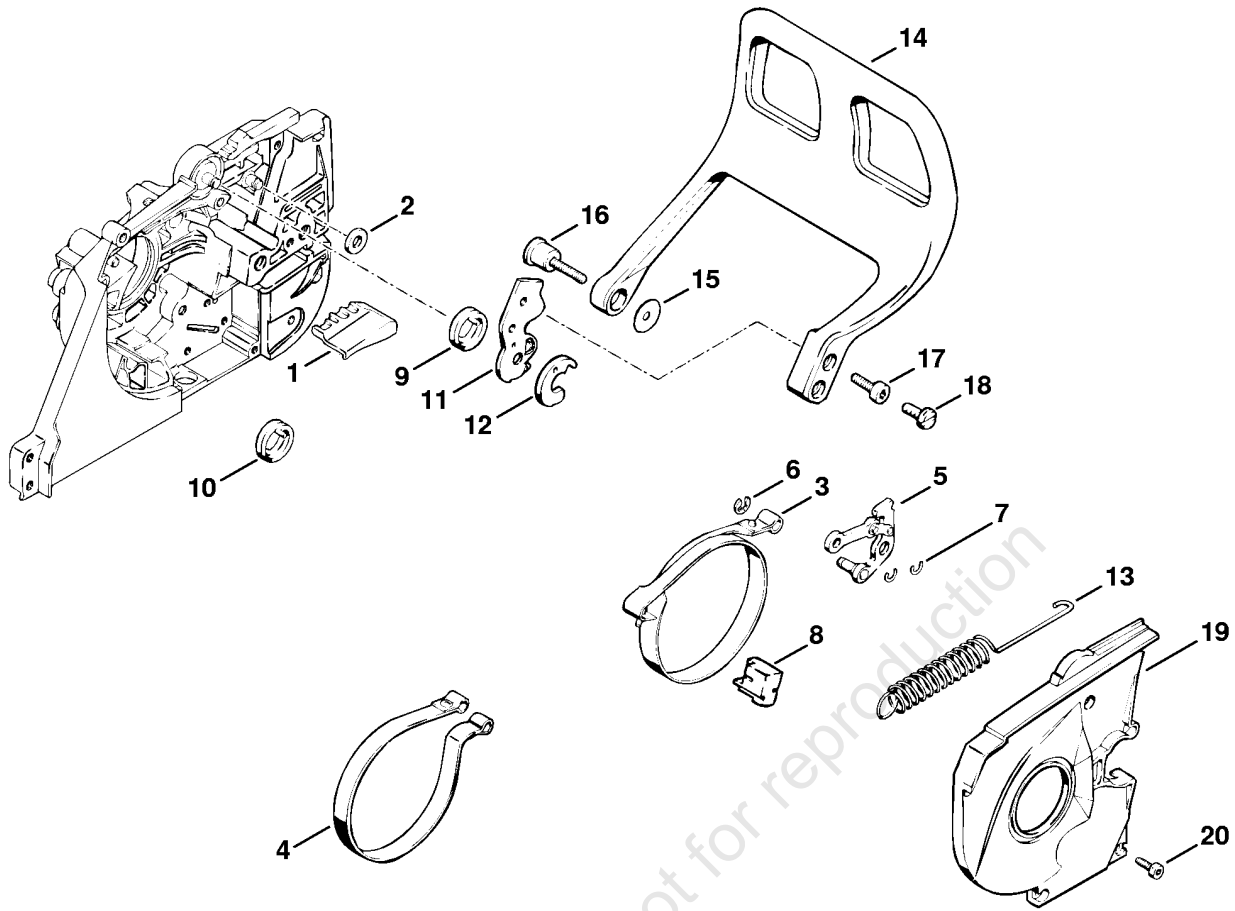
Reference	Item number	Qty	Description	Contains	Up to
1	1117 649 1100	1	Gasket		
	1119 640 3200	1	Oil pump	2 - 15	
2	1117 640 3001	1	Pump housing	3	
3	9643 950 1160	1	Sealing ring 12x16x3		
4	0000 958 0701	2	Washer		
5	0000 997 1010	1	Compression spring		
6	1117 647 0601	1	Pump piston		
7	0000 988 6220	1	Plug		
8	9646 945 0490	1	O-ring 7x1.5		
9	0000 997 1200	1	Helical spring		
10	1117 647 4801	1	Control bolt		
11	9646 945 0230	1	O-ring 5x1.25		
12	9486 648 0100	1	Cup spring 10		
13	1117 647 9800	1	Pin		
14	0000 958 0406	1	Washer		
15	1119 640 7100	1	Worm		
16	0000 989 0401	1	Rubber ring		
17	9022 313 0740	3	Spline screw IS-M4x25		
18	1117 162 8905	1	Washer		
	1117 160 2005	1	Clutch	19 - 23	
19	1117 162 3206	1	Carrier		
20	1117 162 0802	3	Clutch shoe		
21	0000 997 6202	3	Tension spring		
22	1115 162 8925	1	Washer		
23	9041 216 0610	3	Pan head screw M4x6		
	* 1117 007 1004	1	Rim sprocket kit 3/8" 7T	25, 27, 29, 33 - 37	
24	1117 640 2001	1	Chain sprocket 3/8" 7T (1,5,6)		
25	1117 642 1503	1	Spur gear		
26	9512 933 3150	1	Needle cage 12x16x24		
27	1117 020 1106	1	Cover		
28	9022 313 0660	1	Spline screw IS-M4x12		
29	1119 642 7800	1	Washer		
30	9455 621 4010	1	Circlip 36x1.2		
31	0000 958 1218	1	Washer		
32	9460 624 1001	1	E-clip 10x1.5		
	1117 007 1006	1	Rim sprocket kit 3/8" 7T (B)	33 - 37	
33		1	Clutch drum (D)		

(1) 048, (2) 048 AV, (3) 048 AVE, (4) 048 RS, (5) 048 S, (6) 048 W

Oil pump, Clutch

Reference	Item number	Qty	Description	Contains	Up to
34	9455 621 2790	1	Circlip 25x1.2 (4)		
35	0000 642 1223	1	Rim sprocket 3/8" 7T (4)		
36	0000 958 1231	1	Washer (4)		
37	9460 624 1001	1	E-clip 10x1.5 (4)		
38	* 1117 640 2000	1	Chain sprocket 3/8" 7T		8407350

online version, not for reproduction

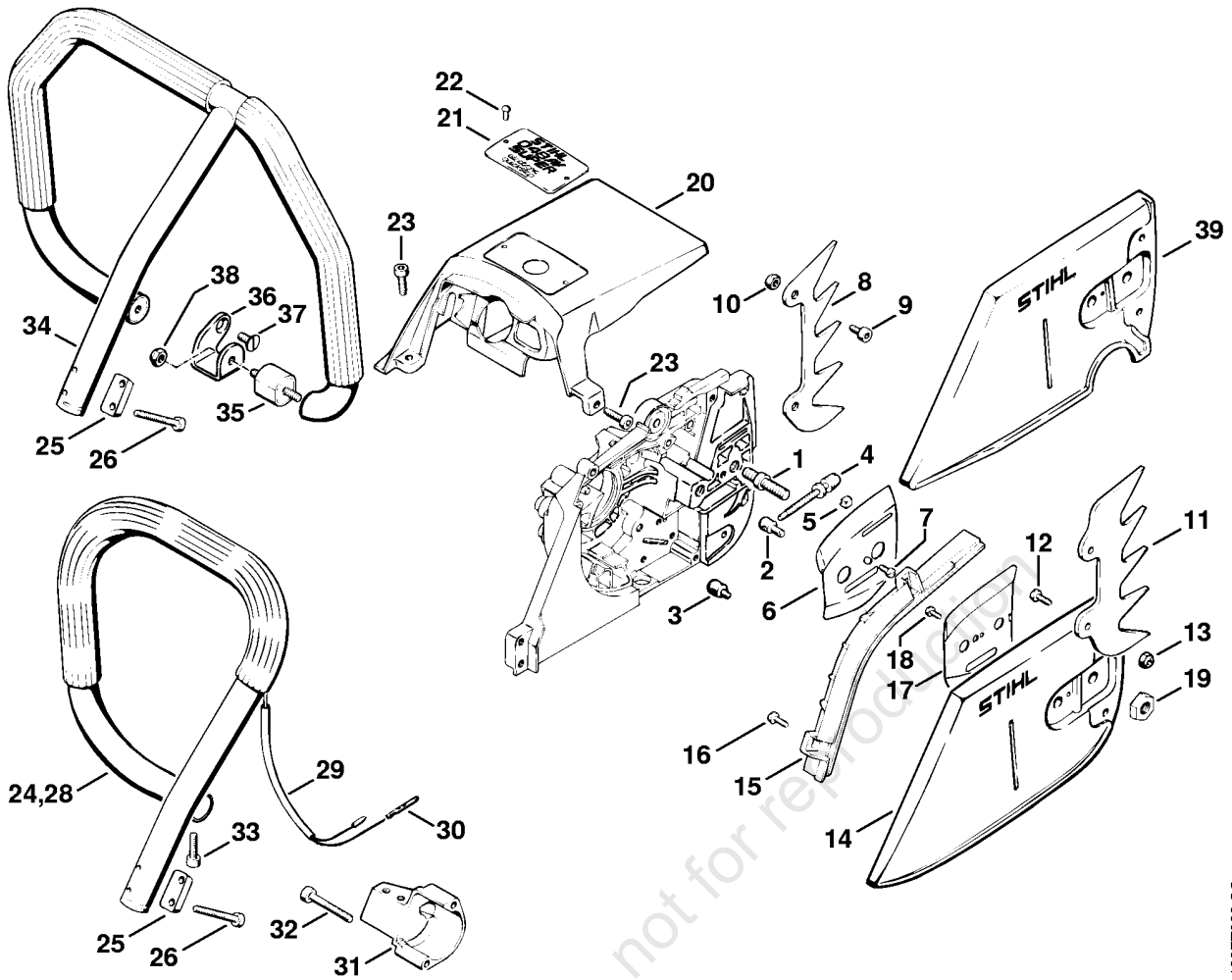


122ET027 SC

Inertia chain brake

Reference	Item number	Qty	Description	Contains
1	1117 162 5600	1	Support	
2	0000 958 0704	1	Washer	
3	1117 160 5401	1	Brake band	
4	* 1117 160 5400	1	Brake band	
5	1118 160 5002	1	Lever	
6	9460 624 0500	1	E-clip 5	
7	9468 621 0330	2	Circlip 6x0.7	
8	1117 162 5700	1	Plug	
9	0000 998 1801	1	Torsion spring	
10	* 0000 998 1600	1	Torsion spring	
11	1117 162 5020	1	Lever	
12	1117 162 8906	1	Sealing washer	
13	1117 162 7905	1	Tension spring	
14	1119 007 1008	1	Hand guard kit	15 - 17
15	0000 958 0512	1	Washer	
16	0000 790 6102	1	Screw assy. M5	
17	9022 341 0980	2	Spline screw IS-M5x16	
18	* 9079 319 0960	1	Flat head screw M5x12	
19	1117 020 1106	1	Cover	
20	9022 313 0660	5	Spline screw IS-M4x12	

Chain sprocket cover, Handlebar



122ET028 SC

(1) 048, (2) 048 AV, (3) 048 AVE, (4) 048 RS, (5) 048 S, (6) 048 W

Chain sprocket cover, Handlebar

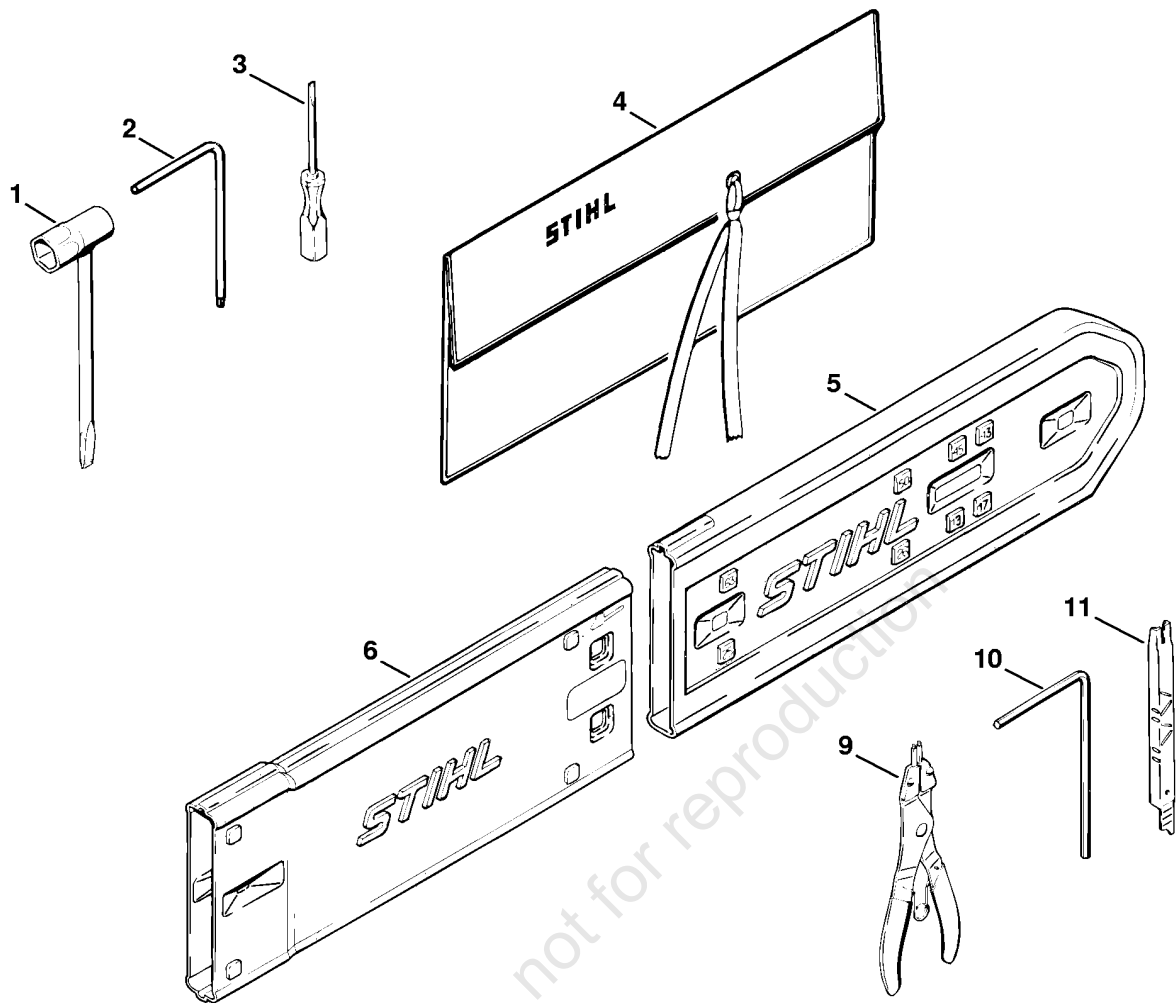
Reference	Item number	Qty	Description	Contains	Up to
1	0000 953 6605	2	Collar screw M8		
2	1120 664 1500	1	Tensioning nut		
3	* 1110 664 1500	1	Tensioning nut		12742324
4	1110 664 1600	1	Adjusting screw		
5	1110 021 9000	1	Clamp		
6	1117 664 1000	1	Inner side plate		
7	9048 319 0660	1	Pan head screw M4x12		
8	1115 664 0500	1	Bumper spike		
9	9022 341 1270	2	Spline screw IS-M6x14		
10	9214 320 0900	2	Lock nut M6		
11	1117 664 0502	1	Bumper spike (B)		
12	9079 319 0960	2	Flat head screw M5x12 (B)		
13	9214 320 0700	2	Lock nut M5		
14	1117 648 0400	1	Chain sprocket cover (1,5,6)		
15	1117 656 1500	1	Guard		
16	9079 216 0660	2	Flat head screw M4x12		
17	1117 664 1100	1	Outer side plate		
18	9041 216 0630	1	Pan head screw M4x8		
19	0000 955 0801	2	Hexagon nut M8		
20	1117 084 0900	1	Shroud		
21	1117 967 1501	1	Model plate 048 AVSEQ		
	0000 967 1590	1	Model plate 048 AVEQ (A)		
22	0000 974 1000	2	Round head rivet 3x6		
23	9022 341 1010	3	Spline screw IS-M5x18		
24	1117 007 1011	1	Handlebar with hose 450 mm / 17 3/4" (1,5)	25, 26	
25	1117 791 0500	1	Clamping strip		
26	9022 341 1090	2	Spline screw IS-M5x40		
	0000 791 2009	1	Handle hose Ø 19 mm x 5 m / 3/4x197" (B)		
28	1117 007 1012	1	Handlebar kit (6)	25, 26, 29, 30	
29	1118 442 0400	1	Hose (6)		
30	1118 431 6600	1	Terminal pin (C) (6)		
31	1117 791 1900	1	Handlebar support		
32	9022 341 1090	2	Spline screw IS-M5x40		
33	9022 371 1020	2	Spline screw IS-M5x20		
34	1117 007 1013	1	Set wrap around handlebar (4)	25, 26	
35	1115 790 9601	1	Annular buffer (4)		
36	1115 791 4400	1	Bracket (4)		

(1) 048, (2) 048 AV, (3) 048 AVE, (4) 048 RS, (5) 048 S, (6) 048 W

Chain sprocket cover, Handlebar

Reference	Item number	Qty	Description	Contains	Up to
37	9062 319 1260	1	Countersunk screw M6x12 (4)		
38	9214 320 0900	1	Lock nut M6 (4)		
39	1117 648 0402	1	Chain sprocket cover (4)		

online version, not for reproduction



online version, not for reproduction

122ET022 SC

Tools, Extras

Reference	Item number	Qty	Description	Contains
	1121 890 1400	1	Tool kit	1 - 4
1	1129 890 3401	1	Combination wrench	
2	0812 370 1000	1	Screwdriver T27x120x70	
3	0000 890 2300	1	Screwdriver	
4	0000 891 0810	1	Tool roll	
5	0000 792 9129	1	Chain scabbard	
6	0000 792 9132	1	Chain scabbard extension up to 63 cm (C)	
9		1	Circlip pliers (C)	
10	0811 270 1080	1	Allen key 4x70x130 (B)	
11	1110 893 4000	1	Filing gauge (B)	
	0783 820 0110	1	Tube of insulating paste (A,B)	
	1117 007 1060	1	Set of carburetor parts (A,B)	
	0000 930 2200	1	Starter rope Ø 4.5 mm x 30.5 m (A,B)	
	0000 930 2213	1	Starter rope Ø 4.5 mm x 60.8 m (A,B)	

online version, not for reproduction