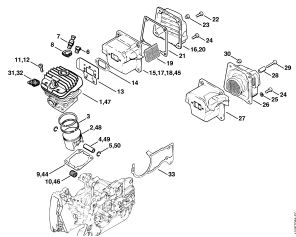
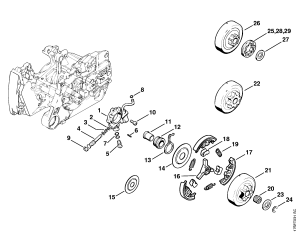


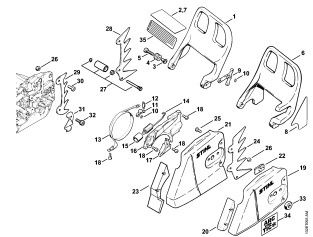
Crankcase, Crankshaft



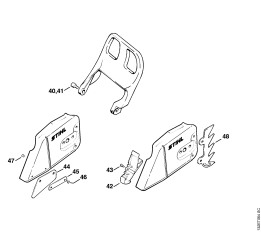
Cylinder



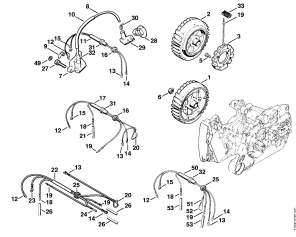
Oil pump, Clutch



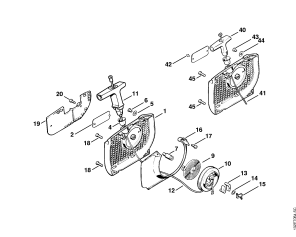
Chain brake, Chain sprocket cover



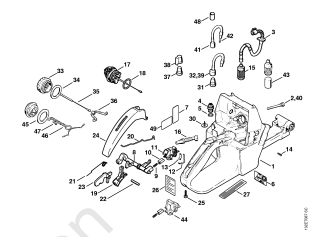
Chain sprocket cover



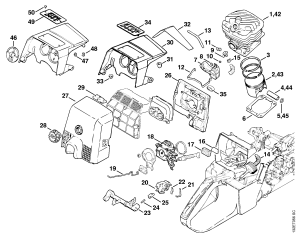
Ignition system



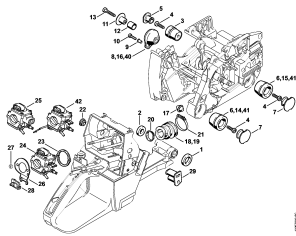
Rewind starter



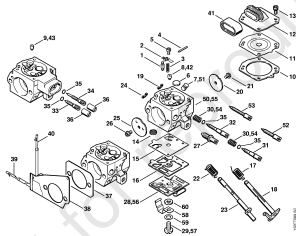
Tank housing



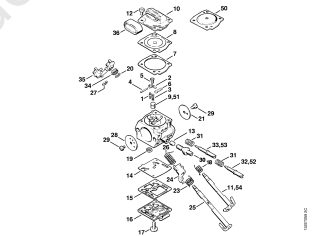
Automatic choke parts



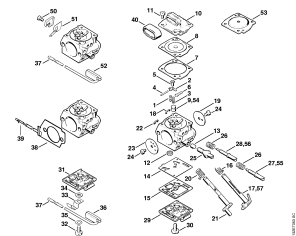
AV system



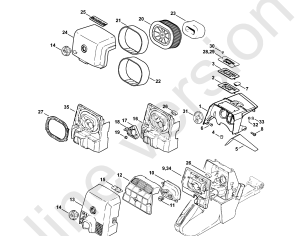
Carburetor HD-15, HD-17, HD-11, HD-10



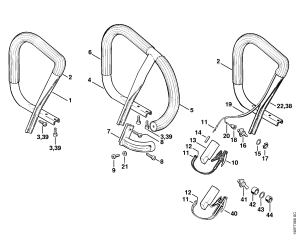
Carburetor C3M-S12 automatic choke



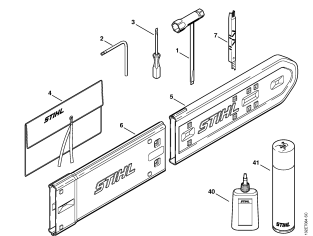
Carburetor C3M-S5, S24, S5, S20, S22, S23



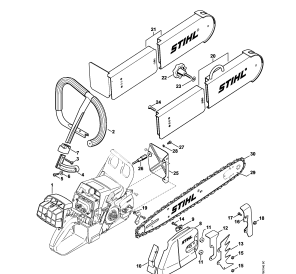
Shroud, Air filter



Handlebar, Heating element



Tools, Extras



Conversion kit rescue saw (27.2000), (31.2005)

**Description**

Crankcase, Crankshaft

Cylinder

Oil pump, Clutch

Chain brake, Chain sprocket cover

Chain sprocket cover

Ignition system

Rewind starter

Tank housing

Automatic choke parts

AV system

Carburetor HD-15, HD-17, HD-11, HD-10

Carburetor C3M-S12 automatic choke

Carburetor C3M-S5, S24, S5, S20, S22, S23

Shroud, Air filter

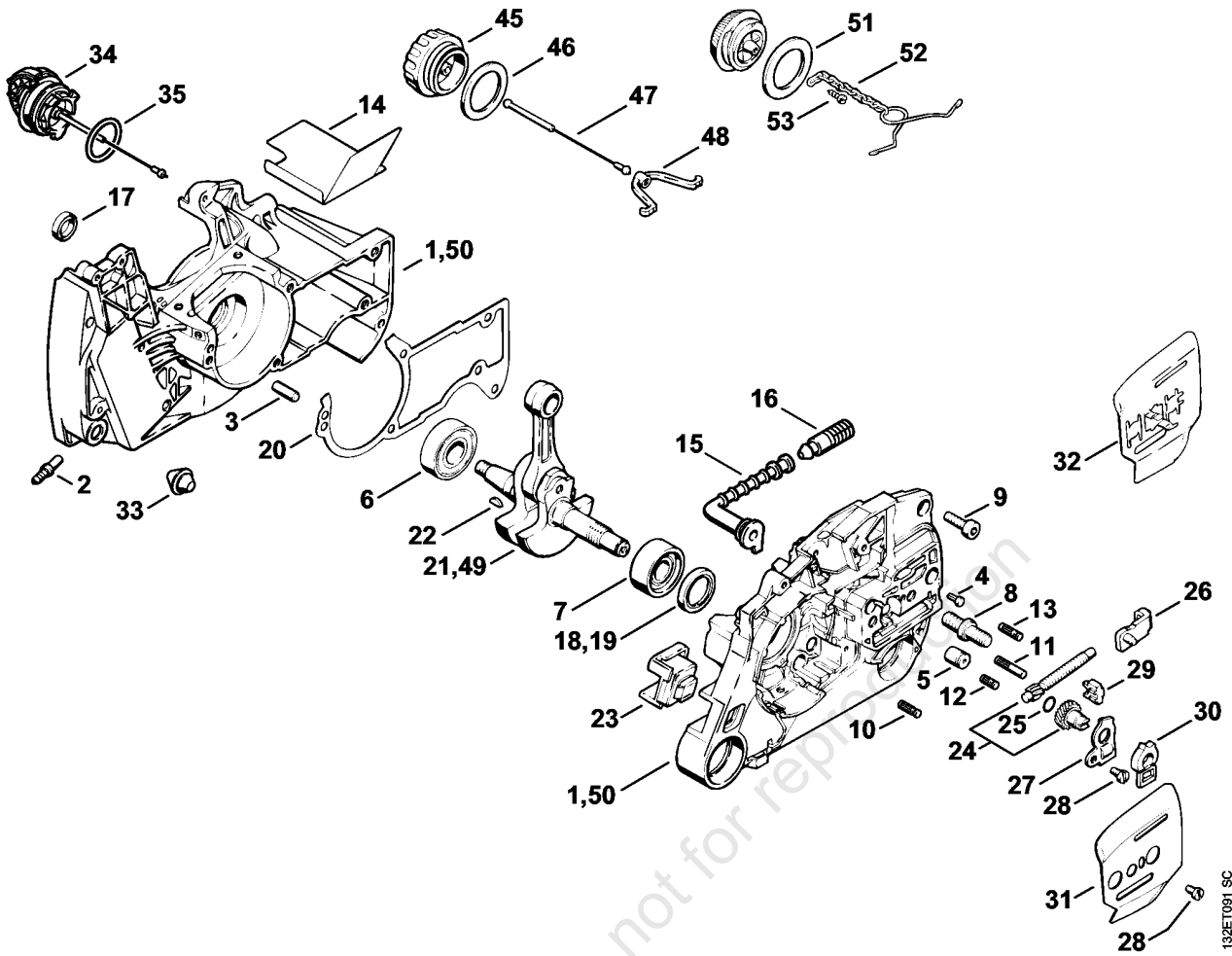
Handlebar, Heating element

Tools, Extras

Conversion kit rescue saw (27.2000), (31.2005)

online version, not for reproduction

**Crankcase, Crankshaft**



(1) 044, (2) 044 C, (3) 044 R, (4) 044 W

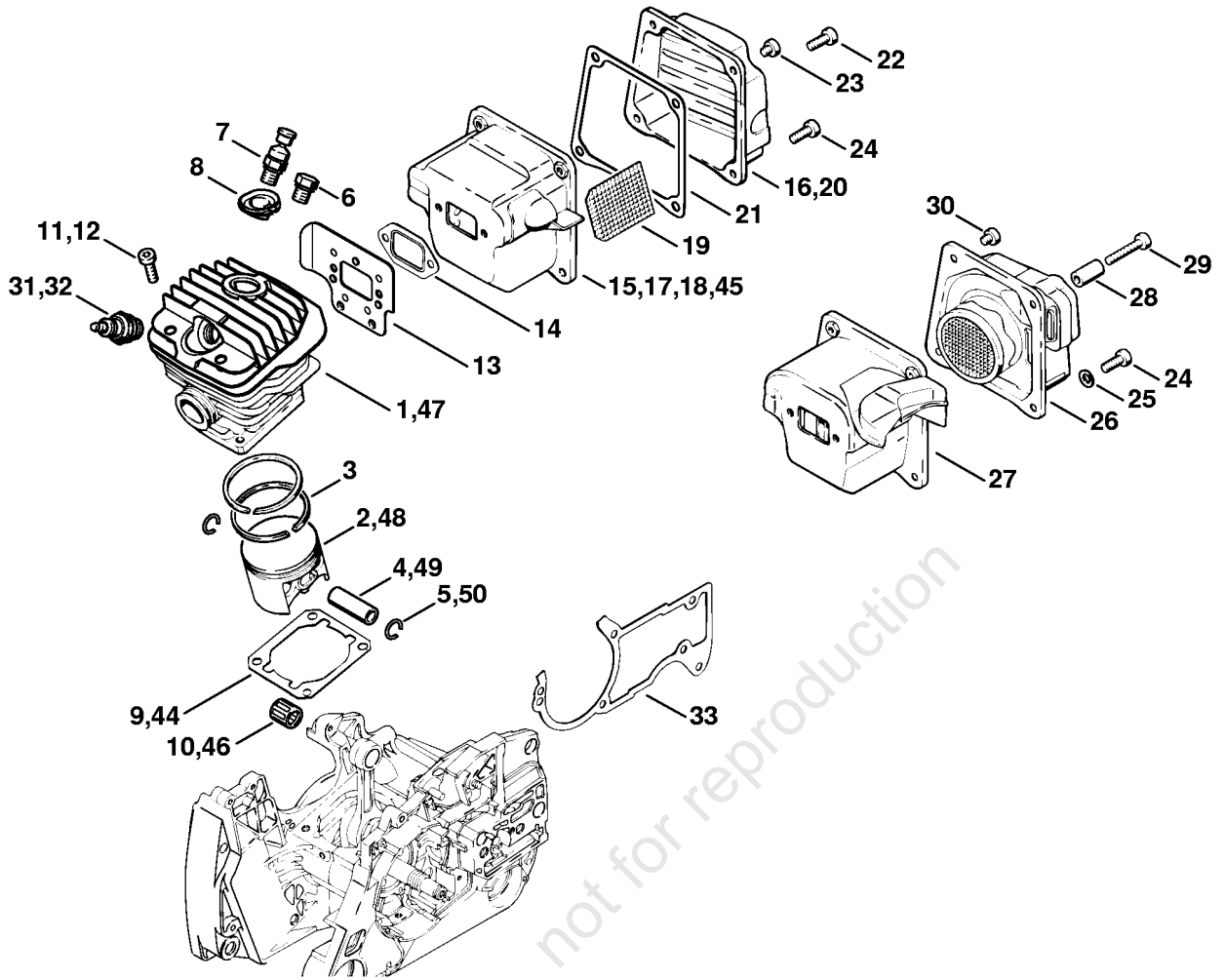
## Crankcase, Crankshaft

Reference	Item number	Qty	Description	Contains	Up to	Technical Information
1	1128 020 2122	1	Crankcase	2 - 14, 33 - 35		
2	0000 988 5211	1	Connector			
3	9371 470 2610	2	Cylindrical pin 5x18			
4	0000 974 1200	1	Notched pin 2.6x8			
5	1128 640 9100	1	Valve			
6	9503 003 0346	1	Grooved ball bearing 6202			
7	9523 003 4275	1	Grooved ball bearing 15x35x13			
8	0000 953 6605	2	Collar screw M8			
9	9022 371 1020	5	Spline screw IS- M5x20			
10	1120 162 5200	1	Pin			
11	1121 162 5205	1	Pin			
12	1128 162 5200	1	Pin			
13	1121 162 5200	1	Pin			
14	1128 084 8302	1	Reflector foil			
15	1122 647 9400	1	Hose			
16	1117 640 3800	1	Pickup body			
17	9640 003 1320	1	Oil seal 13x19x4			
18	9640 003 1972	1	Oil seal 18x29.6x5/3			
19	9640 951 1972	1	Oil seal 18x29.6x5/3 Cat.			
20	1128 029 0500	1	Gasket			
21	1128 030 0406	1	Crankshaft	22		25.2005
22	1120 036 8500	1	Woodruff key 2x3.7			
23	1124 791 2800	1	Stop buffer			
24	1125 007 1021	1	Spur gear / chain adjusting screw kit	25		
25	9646 945 0490	1	O-ring 7x1.5			
26	1125 640 1900	1	Tensioner slide			
27	1122 664 2200	1	Cover plate			
28	9041 216 0630	2	Pan head screw M4x8			
29	1125 664 1400	1	Thrust pad			
30	1122 664 4500	1	Support			
31	1128 664 1001	1	Inner side plate 0.9 mm			

(1) 044, (2) 044 C, (3) 044 R, (4) 044 W

## Crankcase, Crankshaft

Reference	Item number	Qty	Description	Contains	Up to	Technical Information
32	1128 664 1002	1	Inner side plate (B)			
33	1133 791 5900	1	Stop buffer			
34	0000 350 0533	1	Filler cap	35		
35	9645 948 7734	1	O-ring 25x3.5			
	1128 007 1050	1	Set of gaskets	14, 17, 19, 20		
45	* 0000 350 0520	1	Filler cap	46 - 48		
46	* 0000 359 1220	1	Sealing ring			
47	* 0000 350 0900	1	Rope			
48	* 0000 353 0600	1	Hook			
49	* 1128 030 0401	1	Crankshaft	22	29583701	25.2005
50	* 1128 020 2103	1	Crankcase	2 - 14	25454553	
51	* 0000 992 6302	1	Sealing ring			
52	* 1117 350 0905	1	Filler cap retainer			
53	* 9099 021 2360	1	Self-tapping screw 3.5x9.5			



132ET088 SC

## Cylinder

Reference	Item number	Qty	Description	Contains	Up to	Technical Information
1	1128 020 1227	1	Cylinder with piston Ø 50 mm	2 - 6		
2	1128 030 2015	1	Piston Ø 50 mm	3 - 5		
3	1128 034 3000	2	Piston ring Ø 50x1.2 mm			
4	1128 034 1501	1	Piston pin 12x8x35			
5	9463 650 1200	2	Snap ring 12x1			
6	1122 025 2200	1	Plug			
7	1128 020 9400	1	Decompression valve			
8	1122 084 1405	1	Cover			
9	1128 029 2301	1	Cylinder gasket 0.5 mm			
10	9512 003 3061	1	Needle cage 12x15x15			
11	9022 371 1050	4	Spline screw IS-M5x25			
12	* 9022 371 1020	4	Spline screw IS-M5x20			30.2004
13	1128 141 3201	1	Cooling plate			
14	1125 149 0601	1	Muffler gasket			
15	1128 140 0600	1	Muffler (1,2,4)	16		
16	1128 145 0803	1	Exhaust casing (1,2,4)			
17	1128 140 0607	1	Muffler AUS, CDN	19, 20		
18	1128 140 0604	1	Muffler USA	19, 20		
19	1118 141 9006	1	Screen USA, AUS, CDN			
20	1128 145 0804	1	Exhaust casing USA, AUS, CDN			
21	1128 149 0500	1	Gasket USA			
22	9022 341 0980	2	Spline screw IS-M5x16			
23	9022 341 0910	2	Spline screw IS-M5x6			
24	9022 341 1300	2	Spline screw IS-M6x20			
25	0000 148 6000	2	Washer (Tensioning gear) (2)			
26	1128 140 0610	1	Muffler Cat.	27, 28		
27	1128 145 0710	1	Inlet casing Cat.			
28	1128 145 8000	1	Sleeve Cat.			
29	9022 341 1070	1	Spline screw IS-			

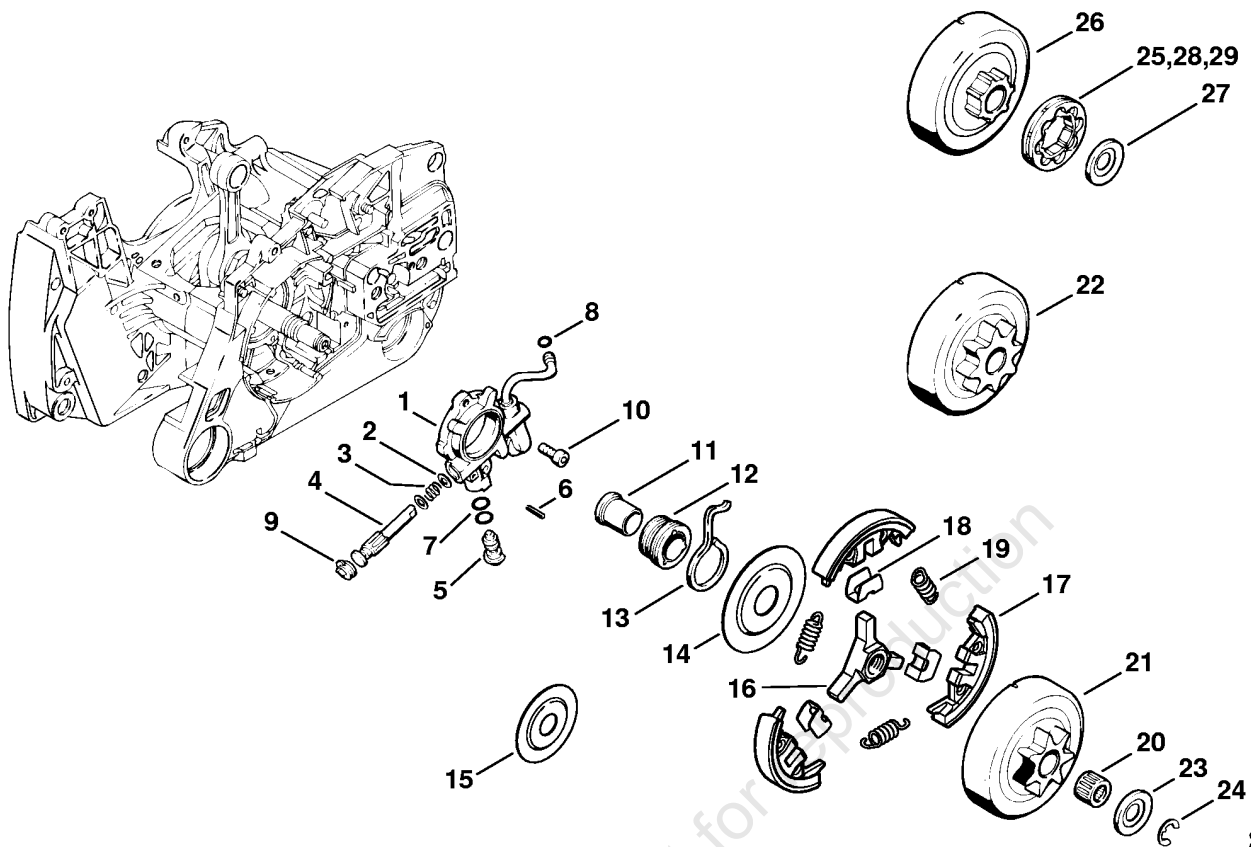
(1) 044, (2) 044 C, (3) 044 R, (4) 044 W

## Cylinder

Reference	Item number	Qty	Description	Contains	Up to	Technical Information
			M5x30 Cat.			
30	9022 341 0910	1	Spline screw IS-M5x6 Cat.			
31	1110 400 7005	1	Spark plug Bosch WSR 6 F			
32	0000 400 7000	1	Spark plug NGK BPMR7A			
33	1128 029 0500	1	Gasket			
	1128 007 1050	1	Set of gaskets	9, 14, 33		
44	* 1128 029 2302	1	Cylinder gasket 1 mm			
45	* 1128 140 0607	1	Muffler USA	19, 20		
46	* 9512 003 2340	1	Needle cage 10x14x13		29583701	
47	* 1128 020 1229	1	Cylinder with piston Ø 50 mm	3, 48 - 50	29583701	
48	* 1128 030 2000	1	Piston Ø 50 mm	3, 49, 50	29583701	
49	* 1128 034 1500	1	Piston pin 10x6x35		29583701	
50	* 9463 650 1000	2	Snap ring 10		29583701	



**Oil pump, Clutch**



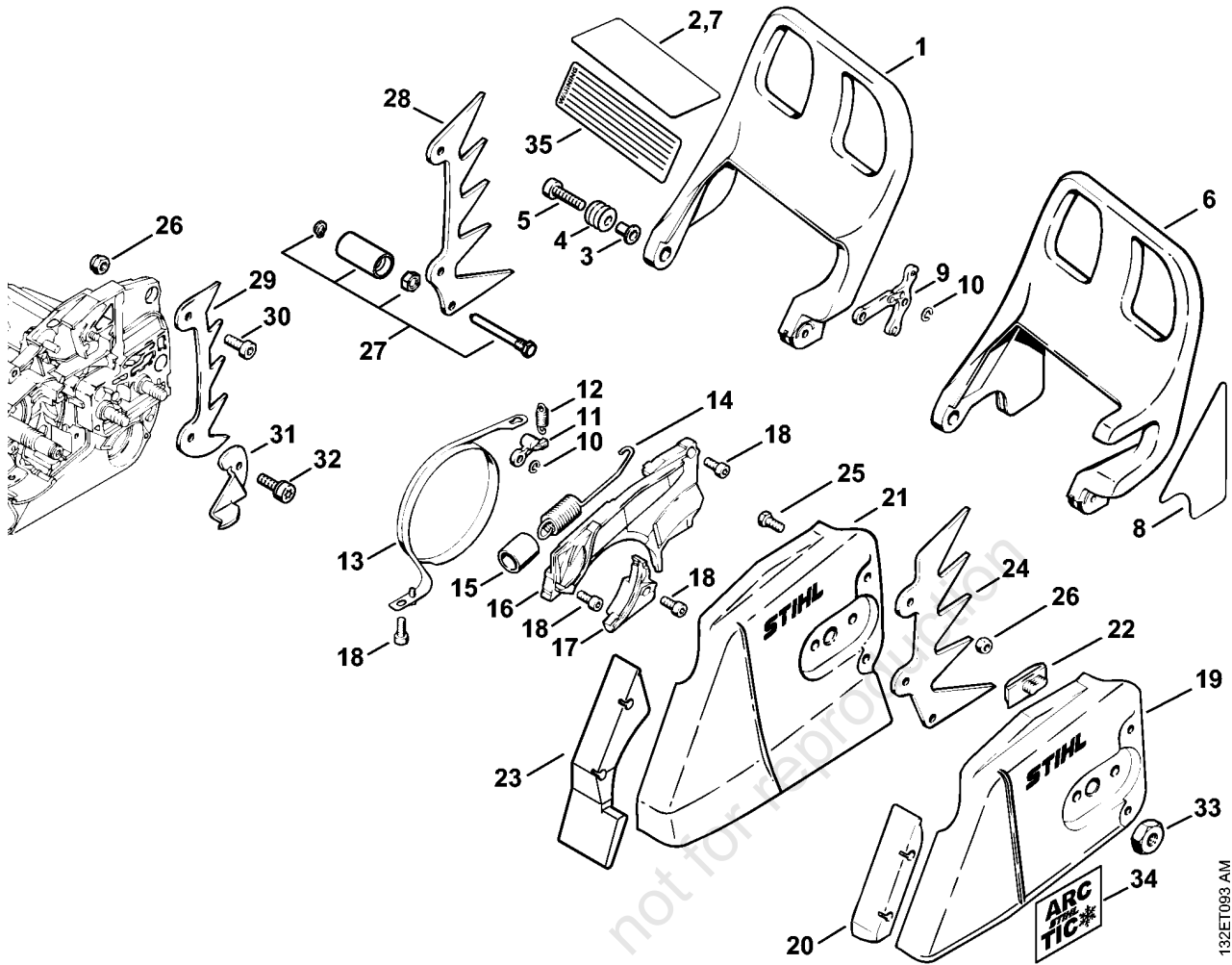
175ET031 SC

(1) 044, (2) 044 C, (3) 044 R, (4) 044 W

## Oil pump, Clutch

Reference	Item number	Qty	Description	Contains
1	1128 640 3205	1	Oil pump	2 - 9
2	0000 958 0518	2	Washer	
3	0000 997 0615	1	Compression spring	
4	1128 647 0605	1	Pump piston	
5	1128 647 4806	1	Control bolt	
6	9380 620 1090	1	Roll pin 2x10	
7	9646 945 0160	2	O-ring 4x2	
8	9646 951 0155	1	O-ring 4x1.5	
9	1128 647 7000	1	Plug	
10	9022 313 0660	2	Spline screw IS-M4x12	
11	1128 647 6600	1	Bearing spacer	
12	1128 640 7112	1	Worm	13
13	1128 647 2400	1	Spring	
14	1128 162 1001	1	Cover washer 58 mm / 2 5/16"	
15	* 1128 162 1000	1	Cover washer 43 mm / 1 3/4"	
	1128 160 2004	1	Clutch	16 - 19
16	1128 162 3202	1	Carrier	
17	1128 162 0807	3	Clutch shoe	
18	1128 162 3000	3	Retainer	
19	0000 997 5815	3	Tension spring	
20	9512 933 2380	1	Needle cage 10x16x12	
21	1128 640 2000	1	Chain sprocket 3/8" 7T	
22	1128 640 2005	1	Chain sprocket 3/8" 8T (B)	
23	0000 958 1022	1	Washer Ø 27 mm	
24	9460 624 0801	1	E-clip 8x1.3	
	1128 007 1000	1	Rim sprocket kit 3/8" 7T	24 - 27
25	0000 642 1223	1	Rim sprocket 3/8" 7T	
26		1	Clutch drum (D)	
27	0000 958 1032	1	Washer Ø 27 mm	
	1128 007 1001	1	Rim sprocket kit 3/8" 8T (B)	24, 26 - 28
28	0000 642 1216	1	Rim sprocket 3/8" 8T (B)	
	1128 007 1011	1	Rim sprocket kit 0.325" 9T (B)	24, 26, 27, 29
29	0000 642 1239	1	Rim sprocket 0.325" 9T (B)	

**Chain brake, Chain sprocket cover**



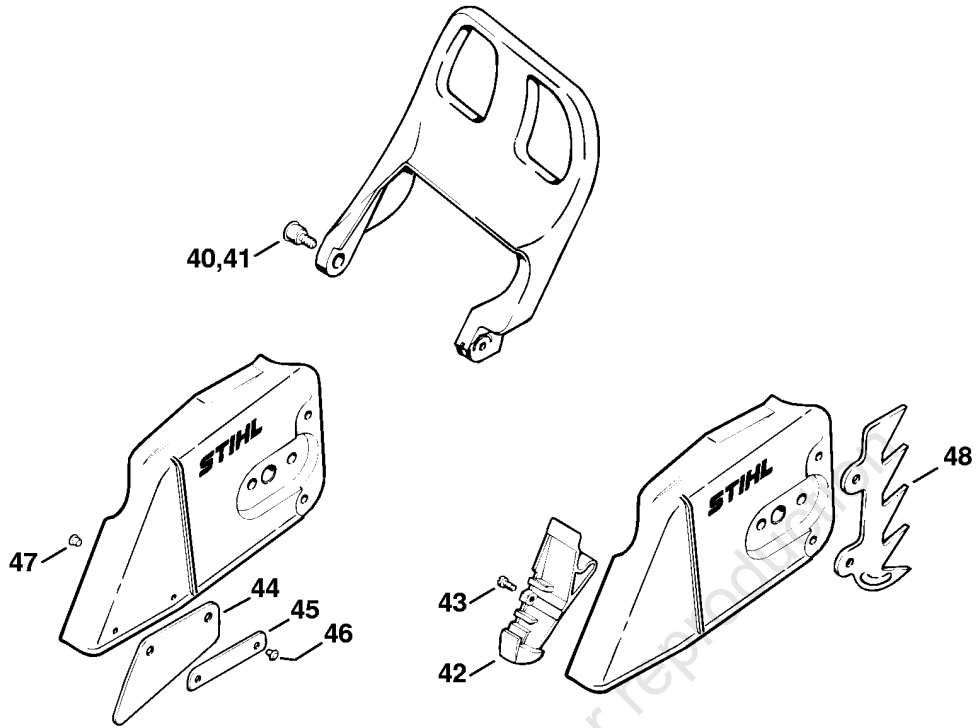
(1) 044, (2) 044 C, (3) 044 R, (4) 044 W

## Chain brake, Chain sprocket cover

Reference	Item number	Qty	Description	Contains
1	1128 790 9150	1	Hand guard	2 - 5
2	1124 084 8300	1	Reflector foil	
3	1124 792 5500	1	Bushing	
4	1124 792 5505	1	Bushing	
5	9022 341 1080	1	Spline screw IS-M5x35	
6	1128 790 9151	1	Hand guard Cat.	3 - 5, 7, 8
7	1128 084 8303	1	Reflector foil Cat.	
8	1128 792 0900	1	Reflector foil Cat.	
9	1128 160 5000	1	Lever	
10	9460 624 0400	2	E-clip 4	
11	1121 162 5010	1	Lever	
12	0000 997 0628	1	Spring	
13	1128 160 5400	1	Brake band	
14	1128 160 5501	1	Tension spring	15
15	1128 162 8000	1	Hose	
16	1128 021 1101	1	Cover	
17	1128 021 1105	1	Cover	
18	9022 313 0660	4	Spline screw IS-M4x12	
19	1125 640 1701	1	Chain sprocket cover (1,2,4)	20, 22
20	1125 656 1501	1	Guard (1,2,4)	
	1122 007 1019	1	Chain sprocket cover kit (3)	21 - 28
21	1122 648 0403	1	Chain sprocket cover (3)	
22	1121 648 6610	2	Bumper strip	
23	1122 656 1510	1	Guard (3)	
24	1122 664 0509	1	Bumper spike (3)	
25	9008 345 0960	2	Hexagon head screw M5x12	
26	9214 320 0700	3	Lock nut M5	
27	1122 650 7701	1	Chain catcher (3)	
28	1122 664 0506	1	Bumper spike (3)	
29	1128 664 0500	1	Bumper spike (1,2,4)	
30	9022 341 0960	1	Spline screw IS-M5x12	
31	1122 656 7700	1	Chain catcher (1,2,4)	
32	9022 341 1019	1	Spline screw IS-M5x20 (1,2,4)	
33	0000 955 0801	2	Hexagon nut M8	
34	0000 967 4514	1	Sticker Arctic (2)	
35	0000 967 3612	1	Instruction label USA	

(1) 044, (2) 044 C, (3) 044 R, (4) 044 W

**Chain sprocket cover**



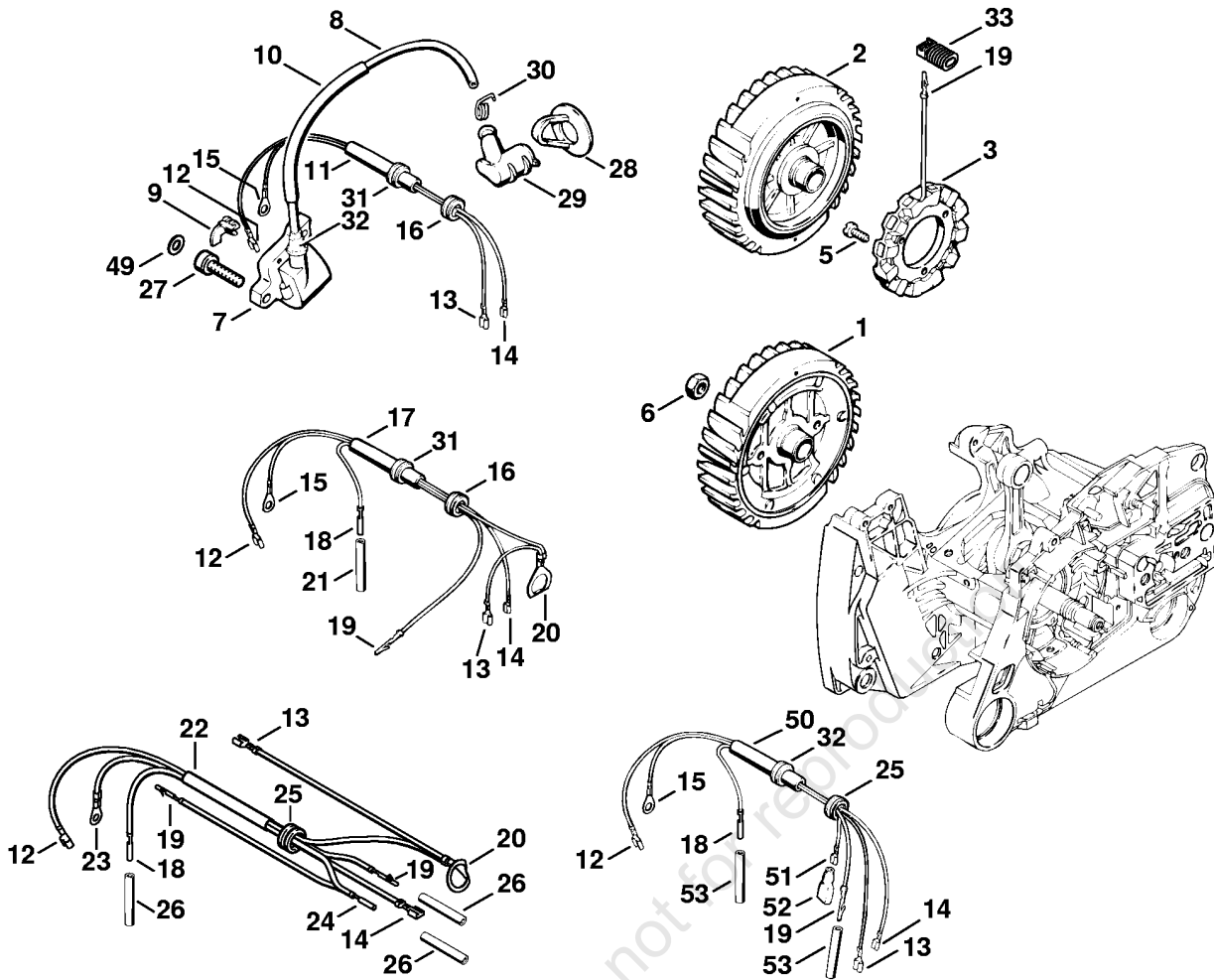
132ET064 SC

## Chain sprocket cover

Reference	Item number	Qty	Description	Up to
40	* 0000 790 6103	1	Screw assy. M5	
41	* 0000 790 6100	1	Screw assy. M4	25454553
42	* 1125 656 1500	1	Guard (1,4)	
43	* 9099 021 1760	1	Self-tapping screw 2.9x9.5	
44	* 1115 656 2005	1	Chip guard (3)	
45	* 1115 656 5105	1	Clamping bar (3)	
46	* 9408 021 4538	2	Rivet shank 4x8x9 (3)	
47	* 9409 021 4440	2	Rivet head 4x11 (3)	
48	* 1117 664 0500	1	Bumper spike (B)	

online version, not for reproduction

**Ignition system**



132ET070 SC

(1) 044, (2) 044 C, (3) 044 R, (4) 044 W

## Ignition system

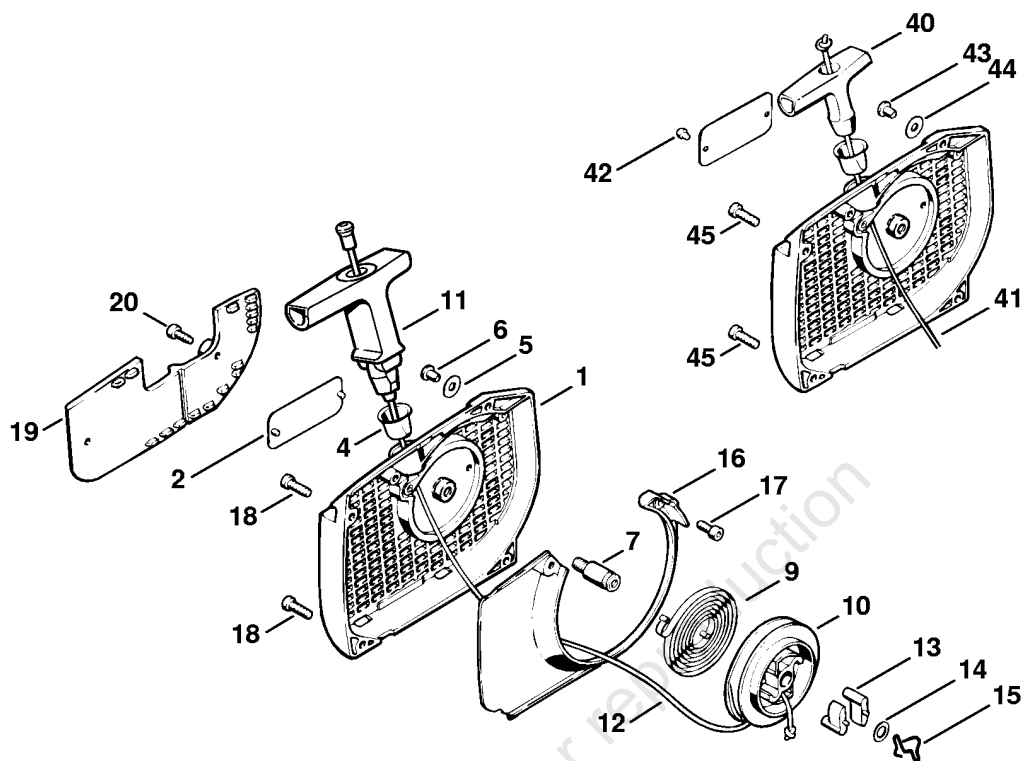
Reference	Item number	Qty	Description	Contains	Up to	Technical Information
1	1128 400 1214	1	Flywheel (1,2,3)			25.2005
2	1128 400 1215	1	Flywheel (4)			25.2005
3	1128 404 3500	1	Generator (4)	19		
5	9041 216 0540	3	Pan head screw M3.5x12 (4)			
6	0000 955 0802	1	Collar nut M8x1			
7	0000 400 1300	1	Ignition module	8, 9, 32		
8		1	Ignition lead 150 mm (D)			
	0000 405 0600	1	Ignition lead 1 m (A,B)			
	0000 930 2251	1	Ignition lead 10 m (A,B)			
9	0000 448 1250	1	Lead retainer			
10	1122 442 0400	1	Insulating hose 100 mm / 4"			
11	1128 440 3002	1	Wiring harness (1,2,3)	12 - 16		
12	0751 030 8957	1	Terminal socket 4.8-1/0.8 (C)			
13	0751 030 8955	1	Terminal socket 4.8-1/0.4 (C)			
14	0751 030 8407	1	Terminal socket 2.8-1/0.4 (C)			
15	0751 030 8969	1	Terminal socket A5-1.5 (C)			
16	0000 989 0814	1	Grommet			
17	1128 440 3003	1	Wiring harness (4)	12 - 16, 18 - 20		
18	1118 431 6700	1	Terminal socket (C) Carburetor heating (4)			
19	1118 431 6600	2	Terminal pin (C) Carburetor heating (4)			
20	0751 030 8963	1	Terminal socket 12-1 (C) Carburetor heating (4)			
21	1121 442 0402	1	Insulating hose 35 mm / 1.4" (4)			
22	1128 440 3012	1	Wiring harness Carburetor heating	12 - 14, 18 - 20, 23 - 25		
23	0751 030 8968	1	Terminal socket 5-2.5 (C) Carburetor heating			
24		1	Terminal socket			

(1) 044, (2) 044 C, (3) 044 R, (4) 044 W



## Ignition system

Reference	Item number	Qty	Description	Contains	Up to	Technical Information
			(D) Carburetor heating			
25	0000 989 0812	1	Grommet Carburetor heating			
26	1121 442 0402	3	Insulating hose 35 mm / 1.4" Carburetor heating (4)			
27	9022 341 1019	2	Spline screw IS-M5x20			
28	1128 084 1400	1	Spark plug boot cover			
29	1128 405 1000	1	Spark plug boot			
30	0000 998 0604	1	Spark plug contact spring			
31	1125 084 8900	1	Grommet			
32	0000 989 1010	1	Grommet			
33	1121 405 1900	1	Support Carburetor heating (4)			
49	* 9291 021 0120	2	Washer 5.3			
50	* 1128 440 3007	1	Wiring harness Carburetor heating	12 - 15, 18, 19, 25, 51, 52	30991111	
51	* 0751 030 8953	1	Terminal socket 4.8-1 (C) Carburetor heating		30991111	
52	* 0751 030 8470	1	Grommet (C) Carburetor heating		30991111	
53	* 1121 442 0402	2	Insulating hose 35 mm / 1.4" Carburetor heating		30991111	

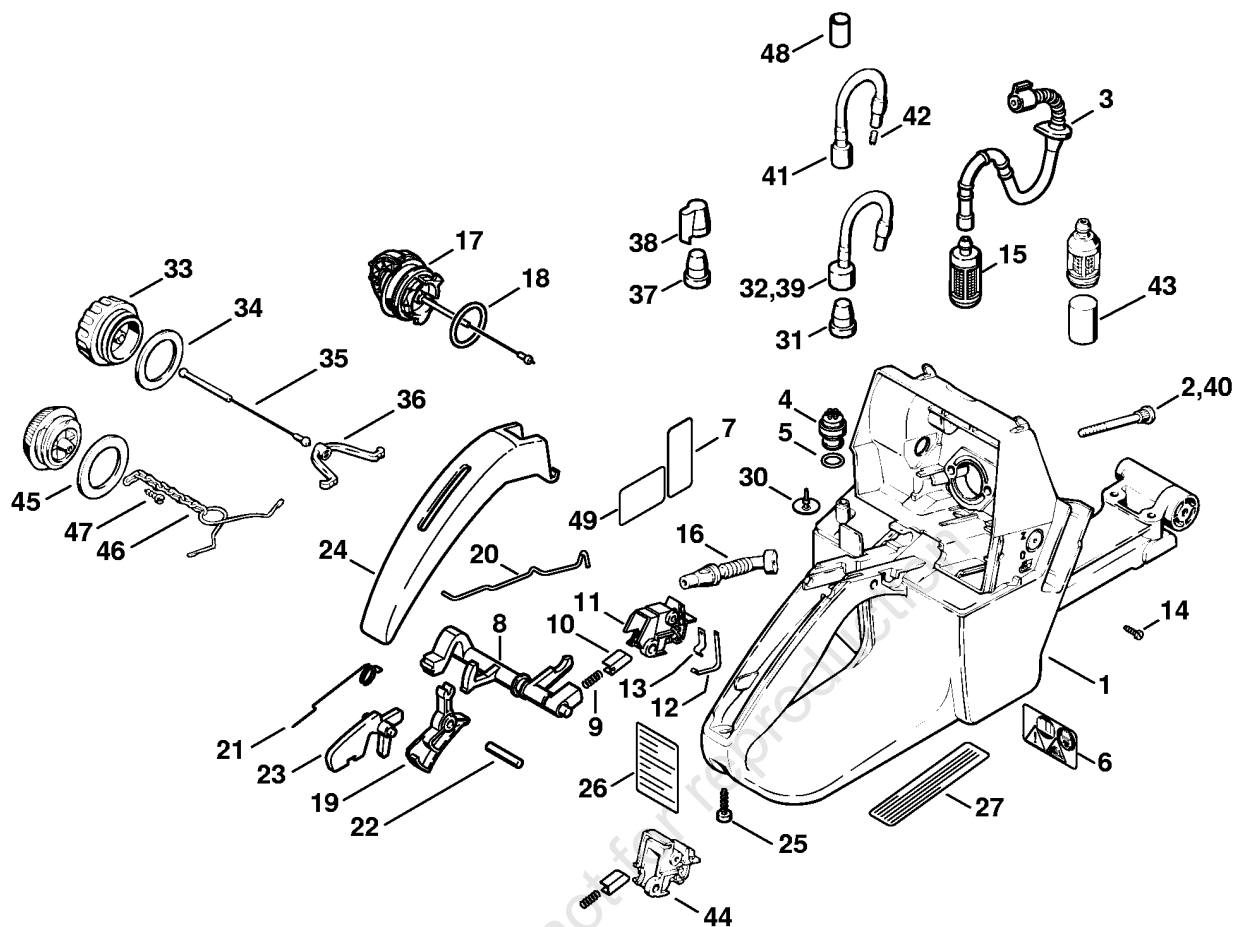


132ET054 SC

(1) 044, (2) 044 C, (3) 044 R, (4) 044 W

## Rewind starter

Reference	Item number	Qty	Description	Contains	Up to
	1128 080 2104	1	Fan housing with rewind starter	1 - 17	
1	1128 080 1812	1	Fan housing	2 - 7, 14	
2	0000 967 2035	1	Nameplate STIHL		
4	1110 084 9102	1	Bushing		
5	0000 958 0607	1	Washer		
6	9416 868 6530	1	Hollow rivet 6.5x0.5x6.8		
7	1128 080 6500	1	Axle	14	
9	1129 190 0601	1	Rewind spring		
10	1128 195 0400	1	Rope rotor		
11	1128 190 3400	1	Starter grip ElastoStart Ø 3,5 mm	12	
12	1128 190 2900	1	Starter rope Ø 3.5 mm		
	0000 930 2267	1	Starter rope Ø 3.5 mm / 28 pieces (A,B)		
13	1125 195 7200	2	Pawl		
14	0000 958 0923	1	Washer		
15	1128 195 3500	1	Spring		
16	1128 084 7801	1	Segment		
17	9022 313 0660	2	Spline screw IS-M4x12		
18	9022 371 1020	3	Spline screw IS-M5x20		
19	1128 080 7500	1	Cover plate (B)	20	
20	9022 313 0660	2	Spline screw IS-M4x12 (B)		
40	* 1121 195 3400	1	Starter grip		26202575
41	* 1113 195 8200	1	Starter rope Ø 3.5x960 mm		26202575
	* 0000 930 2203	1	Starter rope Ø 3.5 mm x 30.5 m (A,B)		26202575
	* 0000 930 2212	1	Starter rope Ø 3.5 mm x 60.8 m (A,B)		
42	* 0000 974 1000	2	Round head rivet 3x6		25454553
43	* 9416 868 5630	4	Hollow rivet 5.5x0.5x6.8		25454553
44	* 0000 958 0514	1	Washer		25454553
45	* 9022 313 0680	1	Pan head screw IS M4x16		25454553



132ET067 SC

(1) 044, (2) 044 C, (3) 044 R, (4) 044 W

## Tank housing

Reference	Item number	Qty	Description	Contains	Up to
1	1128 350 0844	1	Tank housing	2 - 6, 17, 18	
2	1128 122 6606	2	Collar screw		
3	1128 350 7600	1	Hose		
4	0000 350 5800	1	Tank vent	5	
5		1	O-ring (D)		
6	0000 967 3662	1	Warning pictogram MS		
7	0000 967 3605	1	Warning pictogram Filler cap		
8	1128 180 0910	1	Switch shaft	9, 10	
9	0000 997 0227	1	Compression spring		
10	1128 182 1700	1	Slide control		
11	1128 180 3501	1	Switch housing	12, 13	
12	1128 442 1600	1	Contact spring		
13	1128 442 1601	1	Contact spring		
14	9099 021 1760	1	Self-tapping screw 2.9x9.5		
15	0000 350 3518	1	Pickup body		
16	1128 141 8600	1	Impulse hose		
17	0000 350 0533	1	Filler cap	18	
18	9645 948 7734	1	O-ring 25x3.5		
19	1128 182 1005	1	Throttle trigger		
20	1128 182 1500	1	Throttle rod		
21	1117 182 4500	1	Torsion spring		
22	9371 470 2640	1	Cylindrical pin 5x24		
23	1117 182 0805	1	Lockout lever		
24	1128 791 0600	1	Handle molding		
25	9074 478 3076	1	Pan head self-tapping screw IS-P4x19		
26	0000 967 3405	1	Instruction label (C) (2)		
27	0000 967 3500	1	Instruction label USA		
30	* 1110 353 1600	1	Valve		
31	* 1122 358 1800	1	Filter		
32	* 1128 350 5802	1	Tank vent		
33	* 0000 350 0520	1	Filler cap	34 - 36	
34	* 0000 359 1220	1	Sealing ring		
35	* 0000 350 0900	1	Rope		
36	* 0000 353 0600	1	Hook		
37	* 1121 358 1800	1	Filter		
38	* 1121 358 2500	1	Cap		
39	* 1122 350 5851	1	Tank vent		

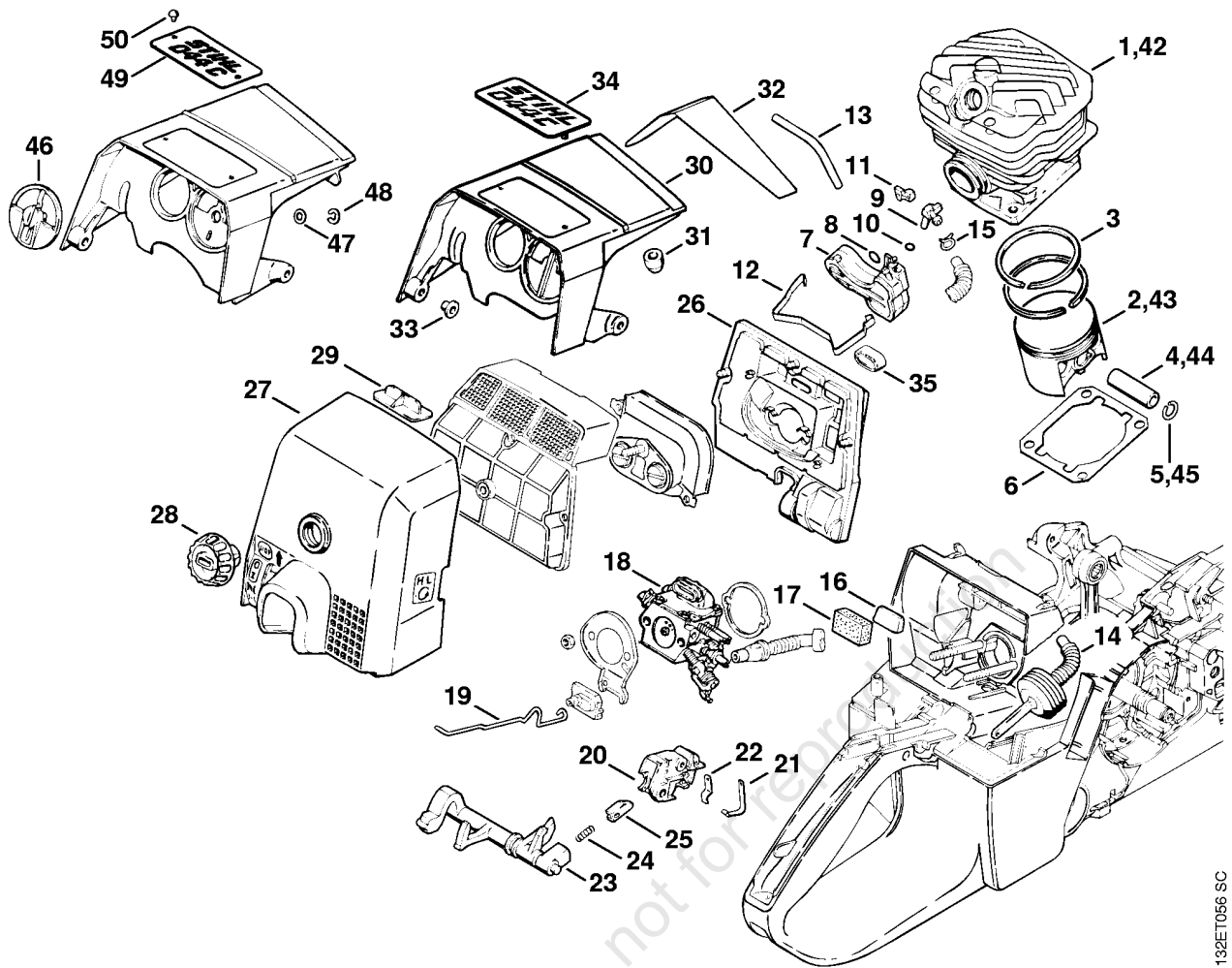
(1) 044, (2) 044 C, (3) 044 R, (4) 044 W

## Tank housing

Reference	Item number	Qty	Description	Contains	Up to
40	* 1125 122 6600	2	Collar screw		
41	* 1128 350 5805	1	Tank vent	42	
42	* 1120 358 8105	2	Vent insert		
43	* 1110 358 1800	1	Filter		29382308
44	* 1128 180 3500	1	Switch housing	12, 13	25252747
45	* 0000 992 6302	1	Sealing ring		
46	* 1117 350 0905	1	Filler cap retainer		
47	* 9099 021 2360	1	Self-tapping screw 3.5x9.5		
48	* 1121 442 0400	1	Hose (C)		
49	* 0000 967 3692	1	Warning pictogram Filler cap		

online version, not for reproduction

**Automatic choke parts**



132ET056 SC

(1) 044, (2) 044 C, (3) 044 R, (4) 044 W

## Automatic choke parts

Reference	Item number	Qty	Description	Contains	Up to
1	1128 020 1212	1	Cylinder with piston Ø 50 mm	2 - 5	
2	1128 030 2001	1	Piston Ø 50 mm	3 - 5	
3	1128 034 3000	2	Piston ring Ø 50x1.2 mm		
4	1128 034 1501	1	Piston pin 12x8x35		
5	9463 650 1200	2	Snap ring 12x1		
6	1128 029 2301	1	Cylinder gasket 0.5 mm		
7	1128 120 5010	1	Control valve	8 - 11	
8	9646 951 0340	1	O-ring 6x1.5		
9	1128 120 9200	1	Elbow connector	10	
10	9646 951 0150	1	O-ring 4x1		
11	1128 121 2300	1	Support		
12	1128 122 9300	1	Clip		
13		1	Hose 3.1x5.7x87 mm, R3 (D)		
	0000 930 2803	1	Hose 3.1x5.7 mm x 1 m, R3 (A,B)		
	0712 923 8004	1	Hose 3.1x5.7 mm x 10 m, R3 (A,B)		
14	1128 120 4800	1	Bellows		
15	1128 122 2500	1	Hose clip		
16	1128 120 1500	1	Filter	17	
17		1	Foamfilter (D)		
18	1128 120 0615	1	Carburetor C3M-S12B		
19	1128 182 1501	1	Throttle rod		
20	1128 180 3501	1	Switch housing	21, 22	
21	1128 442 1600	1	Contact spring		
22	1128 442 1601	1	Contact spring		
23	1128 180 0902	1	Switch shaft	24, 25	
24	0000 997 0227	1	Compression spring		
25	1128 182 1700	1	Slide control		
26	1128 120 1625	1	Air filter		
27	1128 140 1905	1	Carburetor box cover	28, 29	
28	1124 140 9500	1	Twist lock		
29	1128 141 4001	1	Slide		
30	1128 080 1610	1	Shroud	31 - 33	
31	1121 084 7100	1	Cap		
32	1128 084 8301	1	Reflector foil		
33	0000 963 0808	3	Bushing		
34	1128 967 1508	1	Model plate 044 C		
35	1124 121 9100	1	Bushing		
42	* 1128 020 1204	1	Cylinder with piston Ø 50 mm	3, 43 - 45	29583701

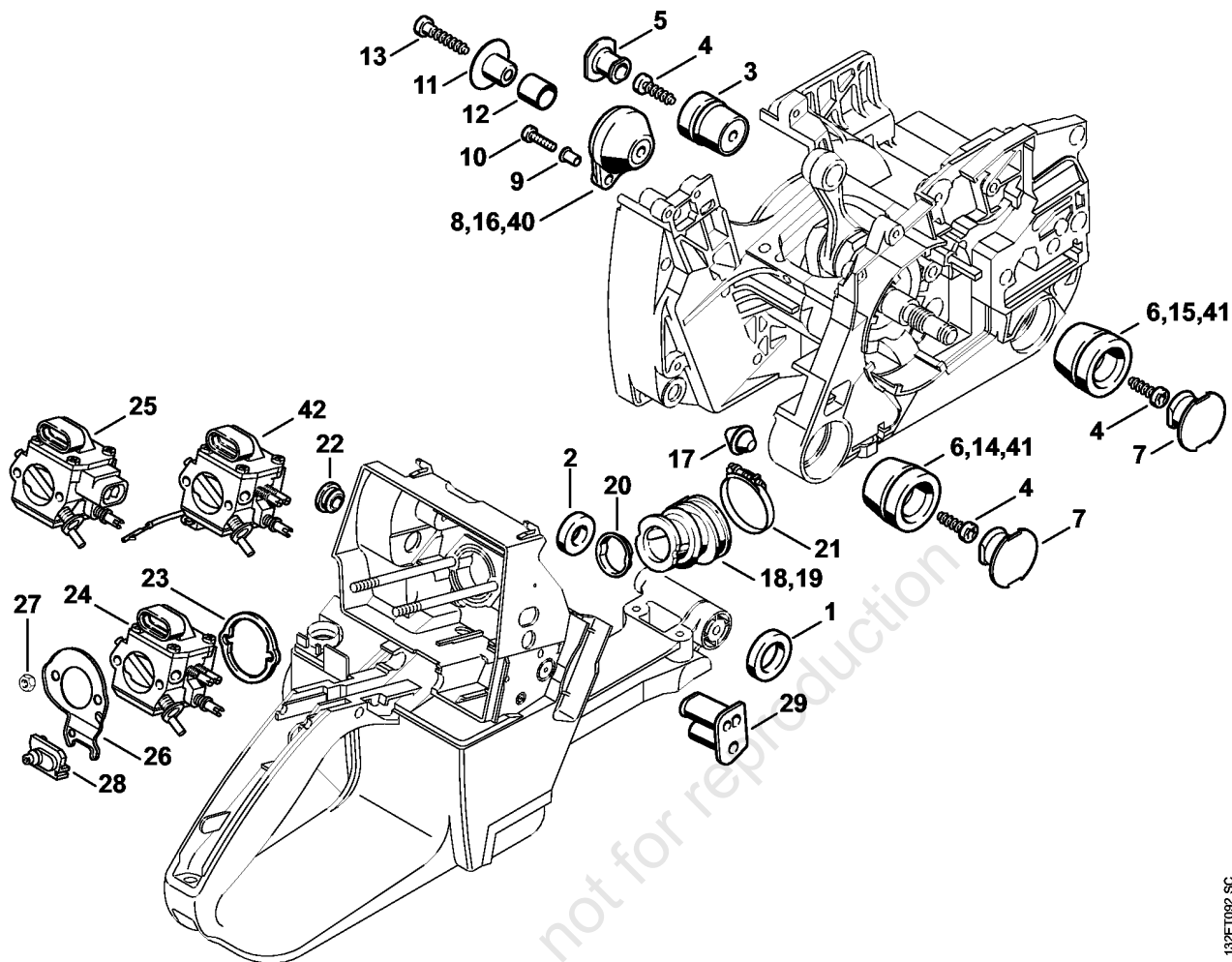
(1) 044, (2) 044 C, (3) 044 R, (4) 044 W



## Automatic choke parts

Reference	Item number	Qty	Description	Contains	Up to
43	* 1128 030 2000	1	Piston Ø 50 mm	3, 44, 45	29583701
44	* 1128 034 1500	1	Piston pin 10x6x35		29583701
45	* 9463 650 1000	2	Snap ring 10		29583701
46	* 1128 084 4100	1	Shutter		
47	* 1128 084 6200	1	Washer		
48	* 9460 624 0400	1	E-clip 4		
49	* 1128 967 1501	1	Model plate 044 C		
50	* 0000 974 1000	2	Round head rivet 3x6		

online version, not for reproduction



132ET092 SC

(1) 044, (2) 044 C, (3) 044 R, (4) 044 W

## AV system

Reference	Item number	Qty	Description	Contains	Up to	Technical Information
1	1128 791 8401	1	Ring			
2	1128 791 8400	1	Ring			
3	1122 790 9905	1	Annular buffer 1122/05			
4	9074 478 4435	3	Pan head self-tapping screw IS-P6x19			
5	1122 791 7301	1	Plug			
6	1121 790 9904	2	Annular buffer (1,2,4)			
7	1125 791 7306	2	Plug			
8	1128 790 9909	1	Annular buffer (1,2,4)	9		
9	9416 868 5630	2	Hollow rivet 5.5x0.5x6.8			
10	9022 313 0680	2	Pan head screw IS M4x16			
11	1128 791 7200	1	Sleeve			
12	1128 792 8500	1	Hose (1,2,4)			
13	9074 478 4675	1	Pan head self-tapping screw IS-P6x32.5			
14	1125 790 9910	1	Annular buffer 1125/10 (3)			
15	1125 790 9904	1	Annular buffer 1125/04 (3)			
16	1128 790 9911	1	Annular buffer (3)	9		
17	1133 791 5900	1	Stop buffer			
18	1128 141 2203	1	Manifold			
19	1128 141 2204	1	Manifold Arctic			46.2008
20	1117 141 1800	1	Sleeve			
21	9771 021 2578	1	Hose clip Ø 34x5			
22	1110 145 9001	1	Plug			
23	1128 121 8600	1	Washer			
24	1128 120 0625	1	Carburetor HD-15D			
25	1128 120 0622	1	Carburetor HD-17D USA			
26	1128 121 7000	1	Baffle			
27	9210 260 0700	2	Hexagon nut M5			
28	1128 182 0700	1	Grommet			
29	1128 123 7502	1	Grommet			
40	* 1128 790 9908	1	Annular buffer (1,2,4)	9	141628723	

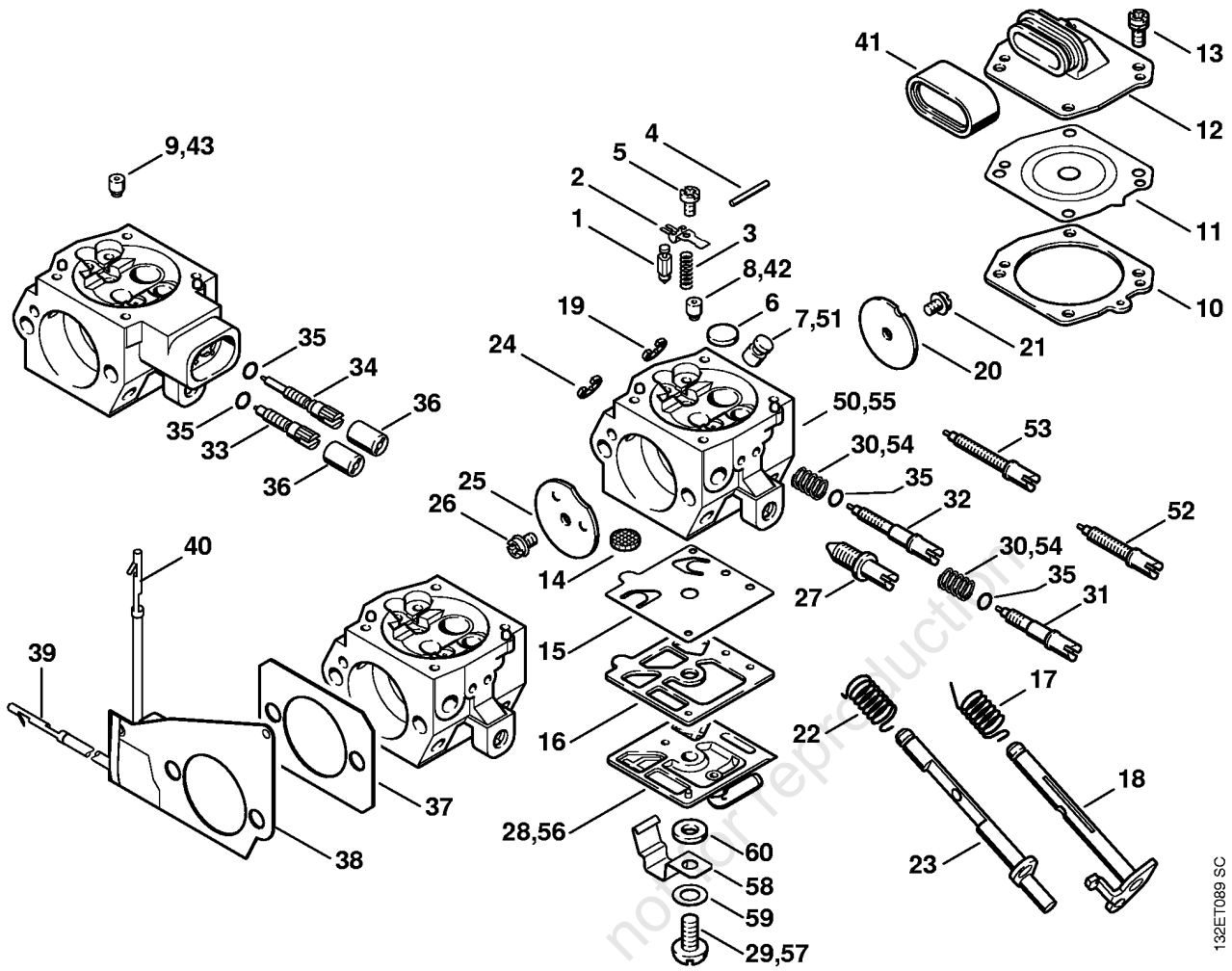
(1) 044, (2) 044 C, (3) 044 R, (4) 044 W

## AV system

Reference		Item number	Qty	Description	Contains	Up to	Technical Information
41	*	1125 790 9906	2	Annular buffer 1125/06 (1,2,4)		141628723	
42	*	1128 120 0620	1	Carburetor HD-11A (C) Carburetor heating			

online version, not for reproduction

**Carburetor HD-15, HD-17, HD-11, HD-10**



132ET089 SC

(1) 044, (2) 044 C, (3) 044 R, (4) 044 W

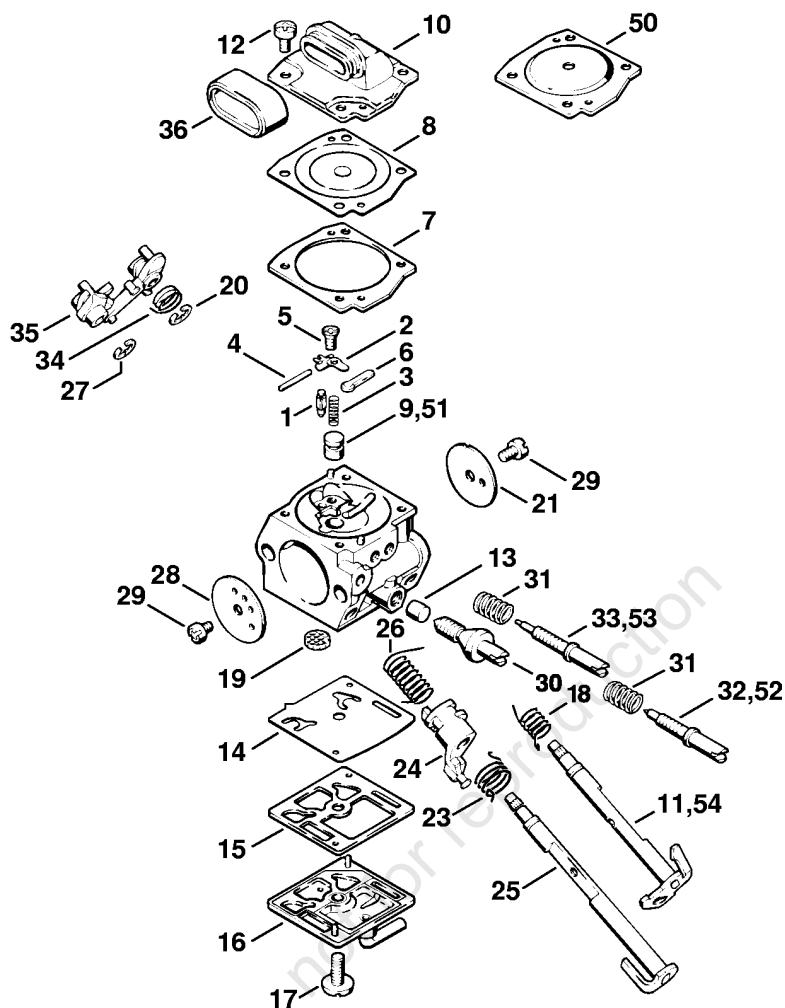
**Carburetor HD-15, HD-17, HD-11, HD-10**

Reference	Item number	Qty	Description	Contains
	1128 120 0625	1	Carburetor HD-15D	1 - 8, 10 - 32, 35, 42
	1128 120 0622	1	Carburetor HD-17D USA	1 - 7, 9 - 29, 33 - 36, 43
1	4116 121 5100	1	Inlet needle	
2	4116 121 5000	1	Inlet control lever	
3	1128 122 3002	1	Spring	
4	1113 121 9200	1	Spindle	
5	1114 122 7400	1	Round head screw	
6	4117 122 9402	1	Plug	
7	1128 121 5405	1	Valve jet	
8	1128 121 5602	1	Fixed jet 0.70	
9	1128 121 5605	1	Fixed jet 0.66	
10	1128 129 0906	1	Gasket	
11	4116 121 4700	1	Metering diaphragm	
12	1128 121 0801	1	End cover	
13	1121 122 7101	4	Screw	
14	1114 121 7800	1	Strainer	
15	4116 121 4800	1	Pump diaphragm	
16	4116 129 0902	1	Gasket	
17	1127 122 3205	1	Torsion spring	
18	1127 120 7100	1	Throttle shaft with lever	
19	1117 122 9000	1	E-clip	
20	1128 121 3302	1	Throttle shutter	
21	1115 122 7400	1	Round head screw	
22	1127 122 3200	1	Torsion spring	
23	1127 120 7200	1	Choke shaft with lever	
24	1123 122 9000	1	E-clip	
25	1122 121 2900	1	Choke shutter	
26	1110 122 7400	1	Round head screw	
27	1127 122 6200	1	Idle speed screw	
28	1127 121 0800	1	End cover	
29	1114 122 7100	1	Screw	
30	1128 122 3003	2	Spring	
31	1127 122 6701	1	High speed screw	35
32	1128 122 6807	1	Low speed screw	35
33	1128 122 6703	1	High speed screw USA	35
34	1128 122 6806	1	Low speed screw USA	35
35		1	Sealing ring (D)	

(1) 044, (2) 044 C, (3) 044 R, (4) 044 W

**Carburetor HD-15, HD-17, HD-11, HD-10**

Reference	Item number	Qty	Description	Contains
36	4203 121 2700	2	Cap USA	
37	1128 129 1100	1	Gasket Carburetor heating	
38	1128 430 6002	1	Heating element Carburetor heating	39, 40
39	1118 431 6600	1	Terminal pin (C) Carburetor heating	
40	1118 431 6700	1	Terminal socket (C) Carburetor heating	
41	1124 121 9100	1	Bushing	
42	1128 121 5605	1	Fixed jet 0.66 (B) High altitude	
43	1122 121 5604	1	Fixed jet 0.64 (B) High altitude	
	1128 007 1066	1	Set of carburetor parts	1 - 3, 10, 11, 14 - 16, 30
50	* 1128 120 0619	1	Carburetor HD-10B (C)	1 - 6, 9 - 29, 51 - 54
51	* 1128 121 5403	1	Valve jet	
52	* 1127 122 6700	1	High speed screw	
53	* 4116 122 6800	1	Low speed screw	
54	* 4116 122 3001	2	Spring	
55	* 1128 120 0620	1	Carburetor HD-11A (C) Carburetor heating	1 - 6, 9 - 27, 51 - 54, 56 - 60
56	* 1128 121 0802	1	End cover Carburetor heating	
57	* 1128 122 7101	1	Screw Carburetor heating	
58	* 1128 122 9301	1	Clip Carburetor heating	
59	* 1128 121 8602	1	Washer Carburetor heating	
60	* 1128 121 8603	1	Washer Carburetor heating	



132ET059 SC

(1) 044, (2) 044 C, (3) 044 R, (4) 044 W



## Carburetor C3M-S12 automatic choke

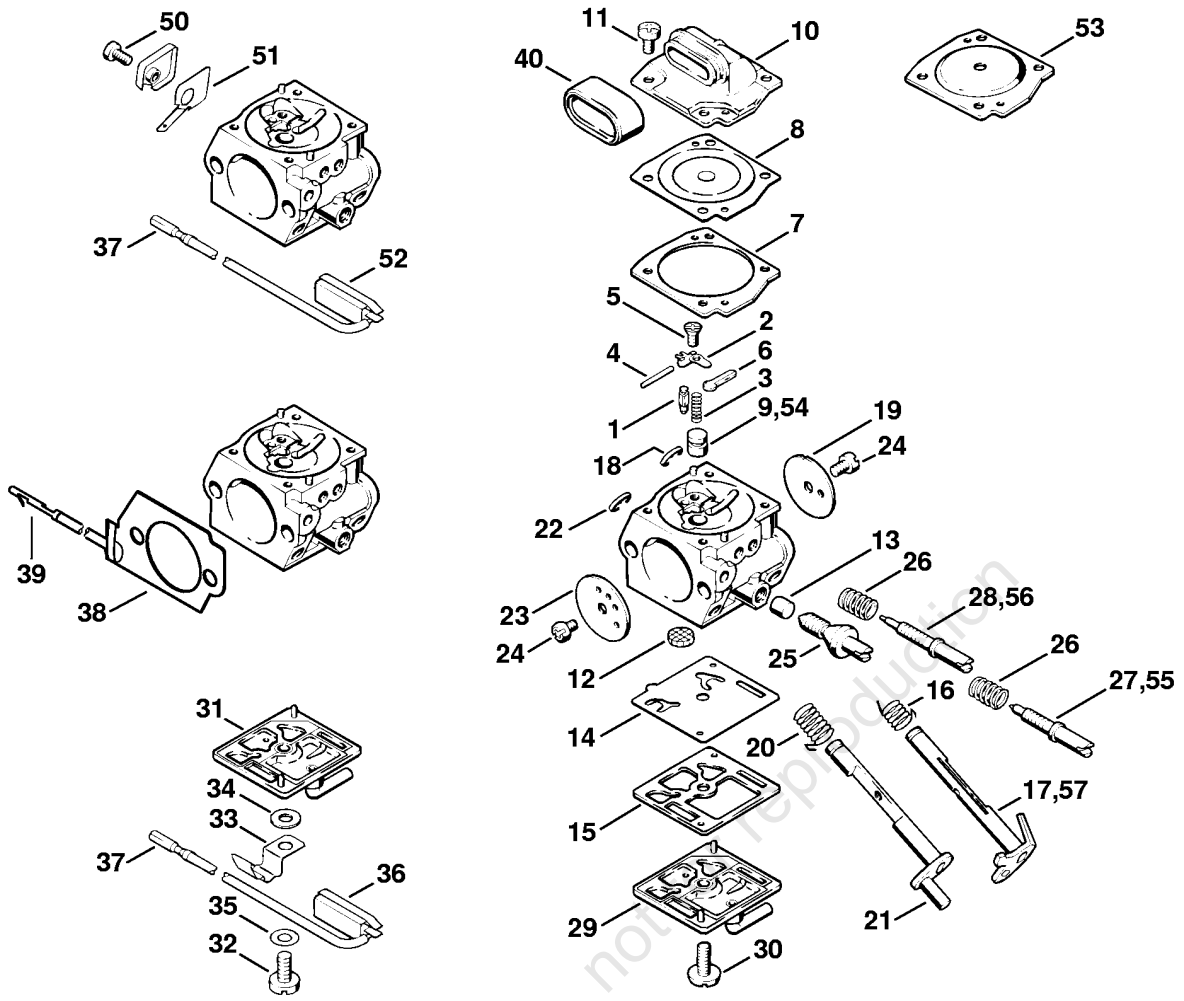
Reference	Item number	Qty	Description	Contains	Up to
	1128 120 0615	1	Carburetor C3M-S12B	1 - 35	
1	Z000 018 Z000	1	Inlet needle		
2	1125 121 5000	1	Inlet control lever		
3	1128 122 3000	1	Spring		
4	1120 121 9200	1	Spindle		
5	1120 122 6600	1	Collar screw		
6	1125 121 0700	1	Cup plug		
7	1125 129 0901	1	Gasket		
8	1125 121 4700	1	Metering diaphragm		
9	1128 121 5400	1	Valve jet		
10	1128 121 0800	1	End cover		
11	1128 120 7102	1	Throttle shaft with lever		
12	1120 122 6601	4	Collar screw		
13	1125 122 4200	1	Clamp		
14	1128 121 4802	1	Pump diaphragm		
15	1125 129 0900	1	Gasket		
16	1128 120 0800	1	End cover		
17	1120 122 7800	1	Oval head screw		
18	1128 122 3204	1	Torsion spring		
19	1123 121 7800	1	Strainer		
20	1125 122 9001	1	E-clip		
21	1128 121 3300	1	Throttle shutter		
23	1128 122 3203	1	Torsion spring		
24		1	Choke lever (D)		
25	1128 120 7201	1	Choke shaft with lever		
26	1128 122 3202	1	Torsion spring		
27	1125 122 9002	1	E-clip		
28	1128 121 2901	1	Choke shutter		
29	1125 122 7403	2	Round head screw		
30	1128 122 6200	1	Idle speed screw		
31	1120 122 3005	2	Spring		
32	1125 122 6700	1	High speed screw		
33	1128 122 6800	1	Low speed screw		
34	1128 122 3205	1	Torsion spring		
35	1128 120 9500	1	Set of carburetor levers	24	
36	1124 121 9100	1	Bushing		
	1128 007 1065	1	Set of carburetor parts	1 - 3, 7, 8, 14, 15, 19	

## Carburetor C3M-S12 automatic choke

Reference	Item number	Qty	Description	Contains	Up to
	* 1128 120 0618	1	Carburetor C3M-S24 (C)	1 - 8, 10, 12 - 31, 34, 35, 51 - 54	28047977
	* 1128 120 0603	1	Carburetor C3M-S12A (C)	1 - 9, 12 - 35, 50	26452475
50	* 1125 121 0803	1	End cover		26452475
51	* 1128 121 5401	1	Valve jet		26452475
52	* 1125 122 6701	1	High speed screw		26452475
53	* 1128 122 6802	1	Low speed screw		26452475
54	* 1128 120 7104	1	Throttle shaft with lever		26452475

online version, not for reproduction

**Carburetor C3M-S5, S24, S5, S20, S22, S23**



132ET063 SC

(1) 044, (2) 044 C, (3) 044 R, (4) 044 W

## Carburetor C3M-S5, S24, S5, S20, S22, S23

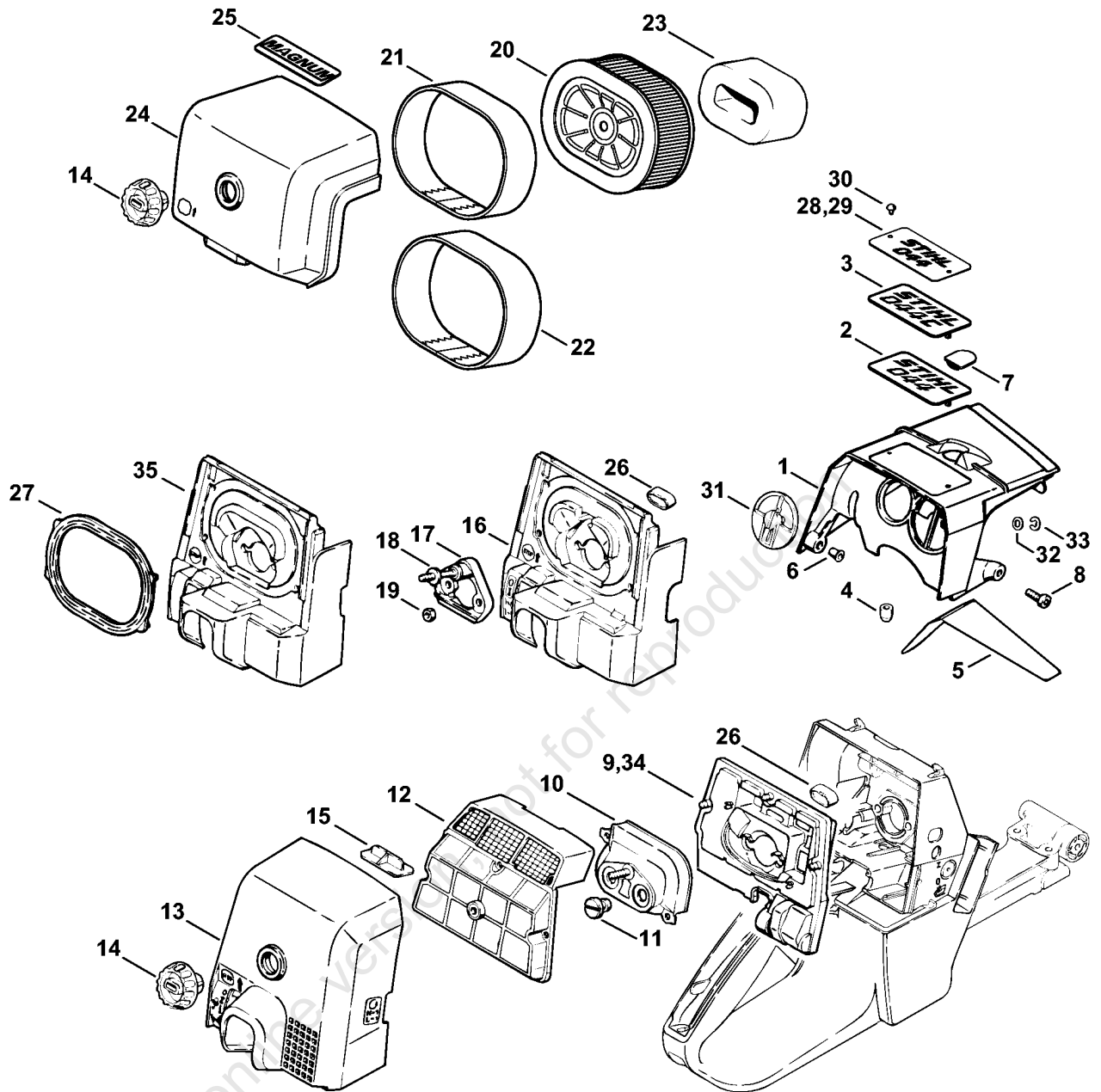
Reference	Item number	Qty	Description	Contains	Up to
	* 1128 120 0617	1	Carburetor C3M-S5G (C)	1 - 30, 53	
	* 1128 120 0618	1	Carburetor C3M-S24 (C) Carburetor heating	1 - 28, 31 - 39	
1	* 4116 121 5100	1	Inlet needle		
2	* 1125 121 5000	1	Inlet control lever		
3	* 1128 122 3000	1	Spring		
4	* 1120 121 9200	1	Spindle		
5	* 1120 122 6600	1	Collar screw		
6	* 1125 121 0700	1	Cup plug		
7	* 1125 129 0901	1	Gasket		
8	* 1125 121 4700	1	Metering diaphragm		
9	* 1128 121 5400	1	Valve jet		
10	* 1128 121 0800	1	End cover		
11	* 1120 122 6601	4	Collar screw		
12	* 1123 121 7800	1	Strainer		
13	* 1125 122 4200	1	Clamp		
14	* 1128 121 4802	1	Pump diaphragm		
15	* 1125 129 0900	1	Gasket		
16	* 1128 122 3200	1	Torsion spring		
17	* 1128 120 7100	1	Throttle shaft with lever		
18	* 1125 122 9001	1	E-clip		
19	* 1128 121 3300	1	Throttle shutter		
20	* 1128 122 3201	1	Torsion spring		
21	* 1128 120 7200	1	Choke shaft with lever		
22	* 1125 122 9002	1	E-clip		
23	* 1128 121 2901	1	Choke shutter		
24	* 1125 122 7403	2	Round head screw		
25	* 1128 122 6200	1	Idle speed screw		
26	* 1120 122 3005	2	Spring		
27	* 1125 122 6700	1	High speed screw		
28	* 1128 122 6800	1	Low speed screw		
29	* 1128 120 0800	1	End cover		
30	* 1120 122 7800	1	Oval head screw		
31	* 1128 120 0801	1	End cover Carburetor heating		
32	* 1128 122 7700	1	Oval head screw Carburetor heating		
33	* 1128 122 9301	1	Clip Carburetor heating		
34	* 1128 122 1501	1	Washer Carburetor heating		
35	* 1128 122 1502	1	Washer Carburetor heating		

(1) 044, (2) 044 C, (3) 044 R, (4) 044 W

**Carburetor C3M-S5, S24, S5, S20, S22, S23**

Reference	Item number	Qty	Description	Contains	Up to
36	* 1128 430 0501	1	Switch Carburetor heating	37	
37	* 1118 431 6700	1	Terminal socket (C) Carburetor heating		
38	* 1128 434 5101	1	Heating element Carburetor heating	39	
39	* 1118 431 6600	1	Terminal pin (C) Carburetor heating		
40	* 1124 121 9100	1	Bushing		
	* 1128 007 1065	1	Set of carburetor parts	1 - 3, 7, 8, 12, 14, 15	
	* 1128 120 0616	1	Carburetor C3M-S23 Carburetor heating	1 - 28, 31 - 35, 37, 50 - 52	30991111
50	* 1128 122 7100	1	Screw Carburetor heating		30991111
51	* 1128 431 7300	1	Contact Carburetor heating		30991111
52	* 1128 430 0500	1	Switch Carburetor heating	37	30991111
	* 1128 120 0606	1	Carburetor C3M-S20 (C)	1 - 8, 10 - 16, 18 - 26, 29, 30, 53 - 57	28047977
	* 1128 120 0611	1	Carburetor C3M-S22 (C) Carburetor heating	1 - 8, 10 - 16, 18 - 26, 31 - 35, 37, 50 - 52, 54 - 57	28047977
	* 1128 120 0601	1	Carburetor C3M-S5E (C)	1 - 9, 11 - 30, 53	26452475
53	* 1125 121 0803	1	End cover		26452475
54	* 1128 121 5401	1	Valve jet		26452475
55	* 1125 122 6701	1	High speed screw		26452475
56	* 1128 122 6802	1	Low speed screw		26452475
57	* 1128 120 7103	1	Throttle shaft with lever		26452475

**Shroud, Air filter**



(1) 044, (2) 044 C, (3) 044 R, (4) 044 W

## Shroud, Air filter

Reference	Item number	Qty	Description	Contains	Up to	Technical Information
1	1128 080 1624	1	Shroud	4 - 7		
2	1128 967 1507	1	Model plate 044			
3	1128 967 1508	1	Model plate 044 C			
4	1121 084 7100	1	Cap			
5	1128 084 8301	1	Reflector foil			
6	0000 963 0808	3	Bushing			
7	1122 084 7100	1	Cap			
8	9022 341 0980	3	Spline screw IS-M5x16			
9	1128 120 1625	1	Air filter			
10	1128 120 4100	1	Baffle	11		
11	1124 141 8300	2	Slotted nut			
12	1128 120 1610	1	Air filter			
12	1128 120 1605	1	Air filter			
13	1128 140 1905	1	Carburetor box cover	14, 15		
14	1124 140 9500	1	Twist lock			
15	1128 141 4001	1	Slide			
16	1128 124 3408	1	Filter base			
17	1128 120 2201	1	Flange	18		
18	1128 122 6610	1	Collar screw			
19	9216 263 0700	2	Hexagon nut M5			
20	0000 140 4402	1	Air filter HD2			
21	0000 141 0601	1	Prefilter (B)			
22	* 0000 141 0300	1	Prefilter			47.2010
23	0000 124 0800	1	Filter insert			47.2010
24	1128 140 1003	1	Filter cover	14		
25	0000 967 1593	1	Model plate Magnum			
26	1124 121 9100	1	Bushing			
27	* 1124 129 0900	1	Gasket		31098387	
28	* 1128 967 1500	1	Model plate 044		31098387	
29	* 1128 967 1501	1	Model plate 044 C		31098387	
30	* 0000 974 1000	2	Round head rivet 3x6		31098387	
31	* 1128 084 4100	1	Shutter			
32	* 1128 084 6200	1	Washer			
33	* 9460 624 0400	1	E-clip 4			
	*	1	Air filter kit (C)	9 - 15, 34	25252747	

(1) 044, (2) 044 C, (3) 044 R, (4) 044 W

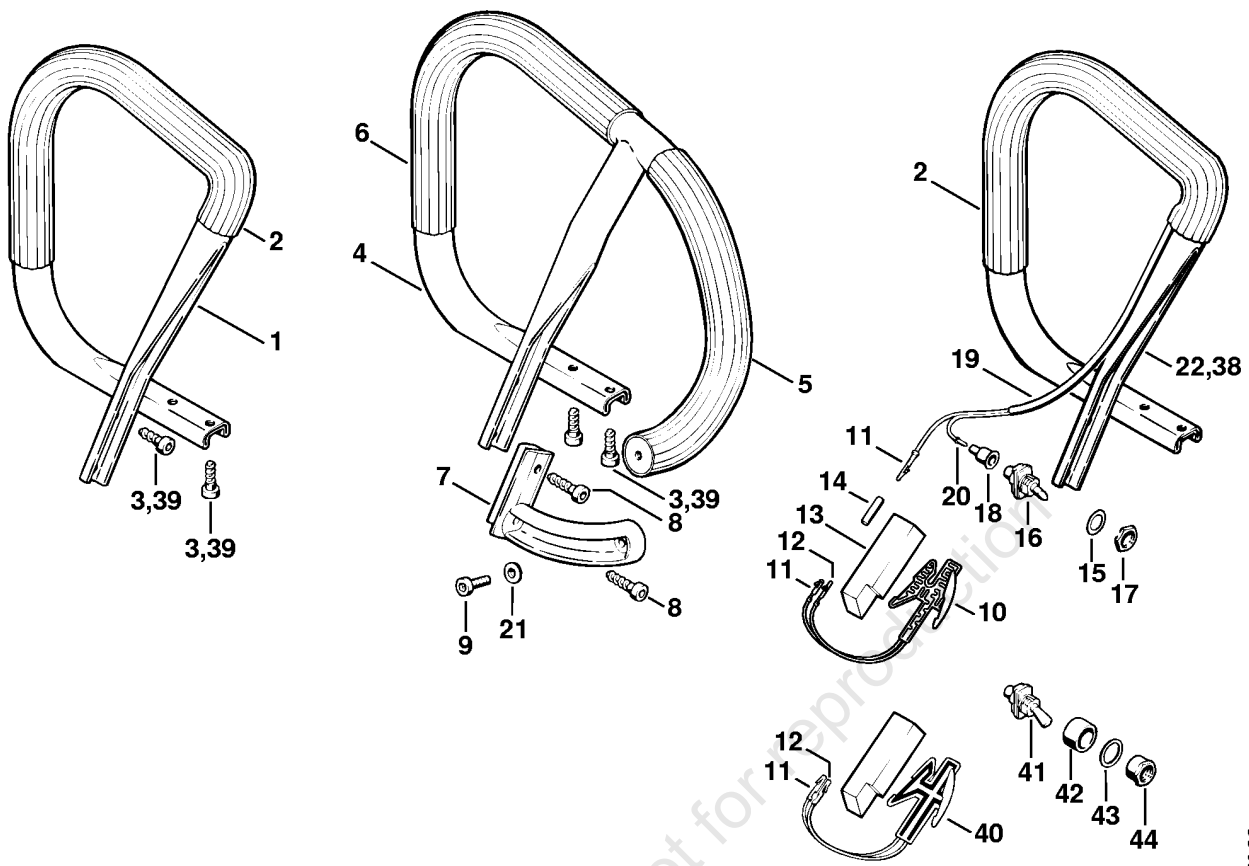
## Shroud, Air filter

Reference		Item number	Qty	Description	Contains	Up to	Technical Information
34	*	1128 120 1615	1	Air filter		25252747	
	*	1128 007 1002	1	Air filter kit HD (C)	13 - 20, 22, 23, 27, 35	25252747	
35	*	1128 124 3406	1	Filter base		25252747	

online version, not for reproduction



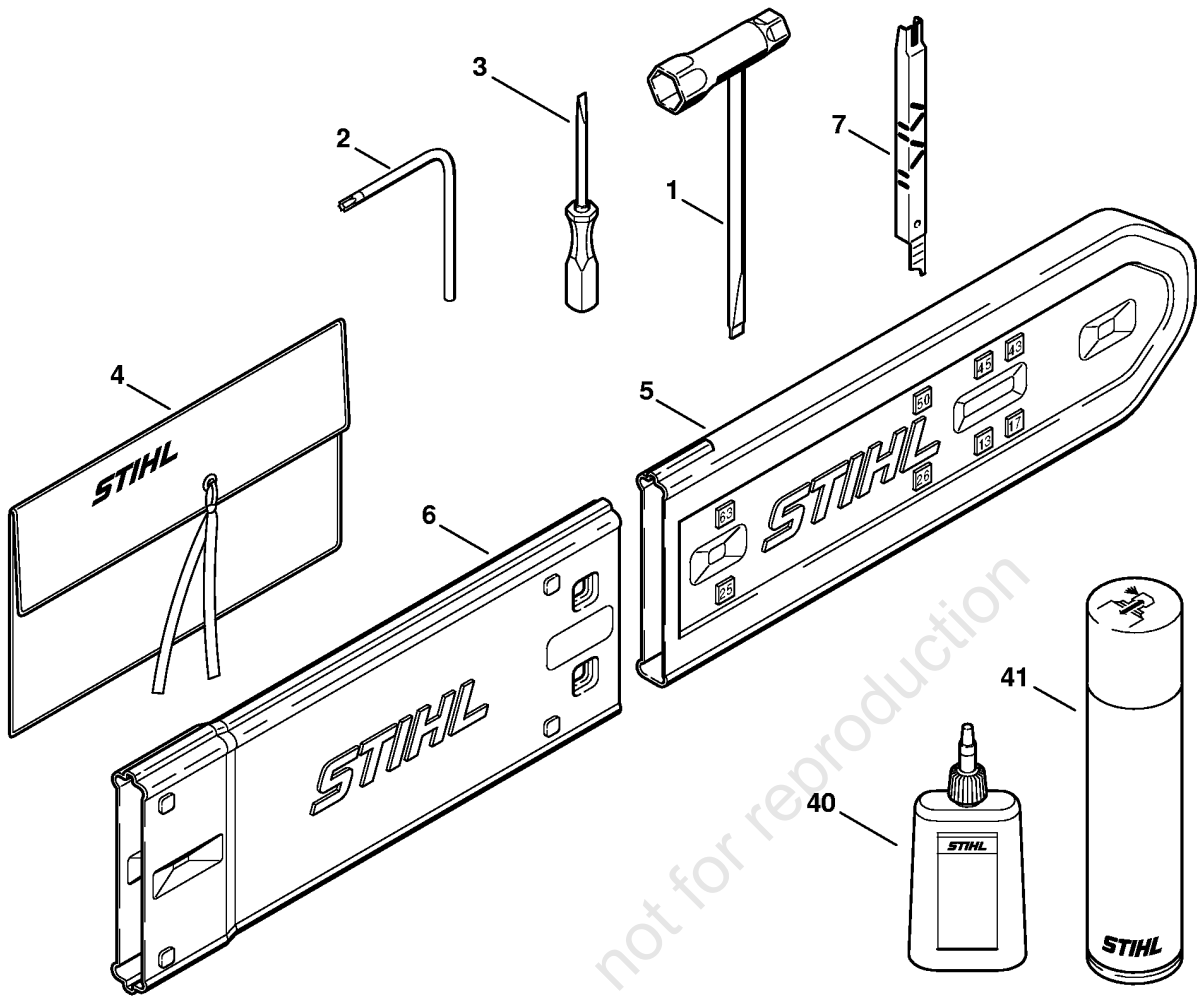
**Handlebar, Heating element**



132ET066 SC

## Handlebar, Heating element

Reference	Item number	Qty	Description	Contains	Up to
1	1128 790 1750	1	Handlebar with hose	2	
2		1	Handle hose 460 mm / 18 1/8"		
3	9074 478 4475	4	Pan head self-tapping screw IS-P6x21.5		
4	1128 790 3600	1	Wrap around handlebar	5, 6	
5		1	Handle hose 225 mm / 8 7/8" (D)		
6		1	Handle hose 290 mm / 13 3/4" (D)		
7	1128 791 5500	1	Elbow connector		
8	9074 478 4675	2	Pan head self-tapping screw IS-P6x32.5		
9	9022 371 1020	1	Spline screw IS-M5x20		
10	1128 434 5000	1	Heating element (4)	11, 12	
11	1118 431 6700	2	Terminal socket (C) (4)		
12	1118 431 6600	1	Terminal pin (C) (4)		
13	1121 791 9000	1	Clamp (4)		
14	1121 442 0402	2	Insulating hose 35 mm / 1.4" (4)		
15	0000 958 1511	1	Washer (4)		
16	1128 430 0200	1	Switch (4)		
17	1128 432 2200	1	Hexagon nut (4)		
18	1110 432 9200	1	Grommet (4)		
19		1	Insulating hose (D) (4)		
20	0000 442 7000	1	Contact sleeve (C) (4)		
21	9307 021 0120	1	Washer 5.3		
	0000 791 2009	1	Handle hose Ø 19 mm x 5 m / 3/4x197" (A,B)		
22	1128 790 1752	1	Handlebar (4)	11, 19, 20	
38	* 1128 790 1751	1	Handlebar (4)	3, 11, 19, 20, 39	
39	* 9074 478 4435	4	Pan head self-tapping screw IS-P6x19		
40	* 1125 434 5000	1	Heating element (4)	11, 12	30991111
41	* 1121 430 0200	1	Heating switch (4)		
42	* 0000 961 1406	1	Ring (4)		
43	* 0000 958 1406	1	Washer (4)		
44	* 1118 432 2200	1	Hexagon nut M12 (4)		

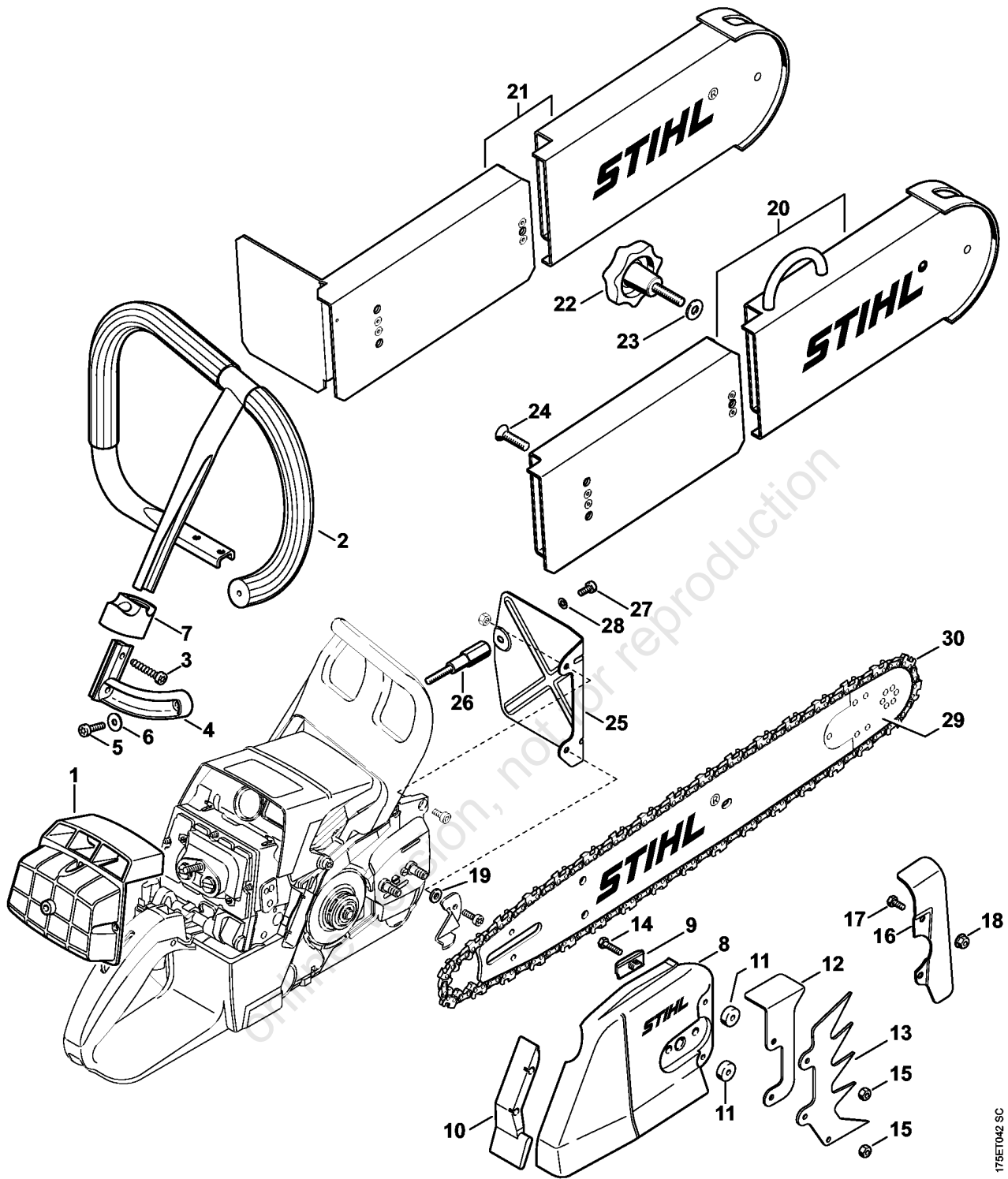


132ET084 SC

## Tools, Extras

Reference	Item number	Qty	Description	Contains
	1121 890 1400	1	Tool kit	1 - 4
1	1129 890 3401	1	Combination wrench	
2	0812 370 1000	1	Screwdriver T27x120x70	
3	0000 890 2300	1	Screwdriver	
4	0000 891 0810	1	Tool roll	
5	0000 792 9129	1	Chain scabbard	
6	0000 792 9132	1	Chain scabbard extension up to 63 cm (B,C)	
7	1110 893 4000	1	Filing gauge (B)	
40	* 0781 867 7540	1	HD filter oil 100 ml (B)	
41	* 0781 867 8540	1	HD filter oil 300 ml (B)	

online version, not for reproduction



175ET042 SC

## Conversion kit rescue saw (27.2000), (31.2005)

Reference	Item number	Qty	Description	Contains	Technical Information
	1128 007 1016	1	Conversion kit rescue saw 044/MS440 (B)	1 - 15, 20, 22 - 28	15.2007 31.2005
1	1128 120 1604	1	Air filter, fleece		15.2007 31.2005
2	1128 790 3600	1	Wrap around handlebar		15.2007 31.2005
3	9074 478 4675	2	Pan head self-tapping screw IS-P6x32.5		15.2007 31.2005
4	1128 791 5500	1	Elbow connector		15.2007 31.2005
5	9022 371 1020	1	Spline screw IS-M5x20		15.2007 31.2005
6	9307 021 0120	1	Washer 5.3		15.2007 31.2005
7	1128 891 8600	1	Support		15.2007 31.2005
	1128 640 1709	1	Chain sprocket cover	8 - 15	15.2007 31.2005
8	1122 648 0403	1	Chain sprocket cover		15.2007 31.2005
9	1121 648 6610	1	Bumper strip		15.2007 31.2005
10	1122 656 1510	1	Guard		15.2007 31.2005
11	3003 655 9200	2	Washer		15.2007 31.2005
12	1128 664 2200	1	Cover		15.2007 31.2005
13	1128 664 0501	1	Bumper spike		15.2007 31.2005
14	9008 319 1020	2	Hexagon head screw M5x20		15.2007 31.2005
15	9214 320 0700	2	Lock nut M5		15.2007 31.2005
16	* 3003 656 3000	1	Cover		15.2007 31.2005
17	* 9008 345 0960	2	Hexagon head screw M5x12		15.2007 31.2005
18	* 9216 263 0700	2	Hexagon nut M5		15.2007 31.2005
19	* 9309 021 0110	1	Washer 5.3		15.2007 31.2005
20	3003 650 6502	1	Depth limiter kit	22 - 24	15.2007 31.2005
21	* 3003 650 6500	1	Depth limiter kit	22 - 24	15.2007 31.2005
22	9570 601 1880	1	Star grip screw M8x35-AL		15.2007 31.2005
23	9308 021 0180	1	Washer 8.4		15.2007 31.2005
24	9064 341 1860	2	Countersunk screw M8x30		15.2007 31.2005
25	1128 145 3701	1	Guard plate		15.2007 31.2005
26	1128 148 1201	1	Screw M6		15.2007 31.2005
27	9022 399 0950	1	Spline screw IS-M5x10		15.2007 31.2005
28	9307 021 0120	1	Washer 5.3		15.2007 31.2005
29	3003 002 9421	1	Rollomatic ES 20" 3/8" .063"/1,6mm		15.2007 31.2005
30	3944 000 0072	1	36RDR chain Rapid Duro R		15.2007 31.2005
	3944 660 6300	1	Right hand cutter (A,B)		15.2007 31.2005
	3944 660 6500	1	Left hand cutter (A,B)		15.2007 31.2005
	3725 662 1000	1	Drive link (A,B)		15.2007 31.2005

(1) 044, (2) 044 C, (3) 044 R, (4) 044 W

## Conversion kit rescue saw (27.2000), (31.2005)

Reference	Item number	Qty	Description	Contains	Technical Information
	3724 660 6600	1	Tie strap with rivets (A,B)		15.2007 31.2005
	3994 662 3901	1	Triple-hump tie strap, right-hand (A,B)		15.2007 31.2005
	3994 662 4001	1	Triple-hump tie strap, left-hand (A,B)		15.2007 31.2005
*	3949 007 1000	1	Cutter repair kit, r/h (A,B)		15.2007 31.2005
*	3949 007 1001	1	Cutter repair kit, l/h (A,B)		15.2007 31.2005
*	3949 007 1002	1	Drive link repair kit (A,B)		15.2007 31.2005

online version, not for reproduction