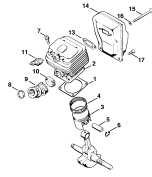
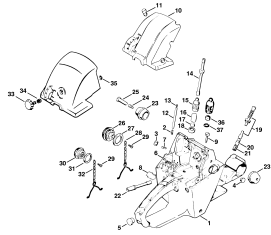


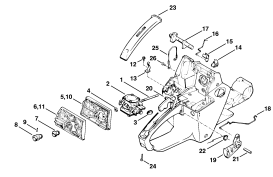
Crankcase



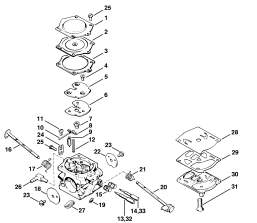
Cylinder, Muffler



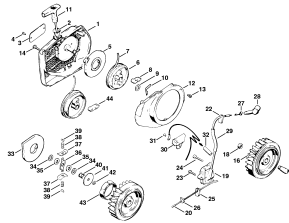
Tank housing



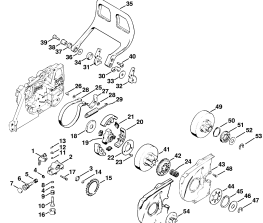
Air filter



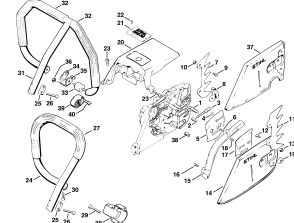
Carburetor



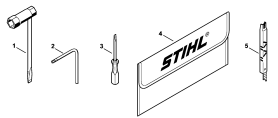
Rewind starter, Ignition system



Oil pump, Clutch



Chain sprocket cover, Handlebar



Tools, Extras

online version, not for reproduction

**Description**

---

Crankcase

---

Cylinder, Muffler

---

Tank housing

---

Air filter

---

Carburetor

---

Rewind starter, Ignition system

---

Oil pump, Clutch

---

Chain sprocket cover, Handlebar

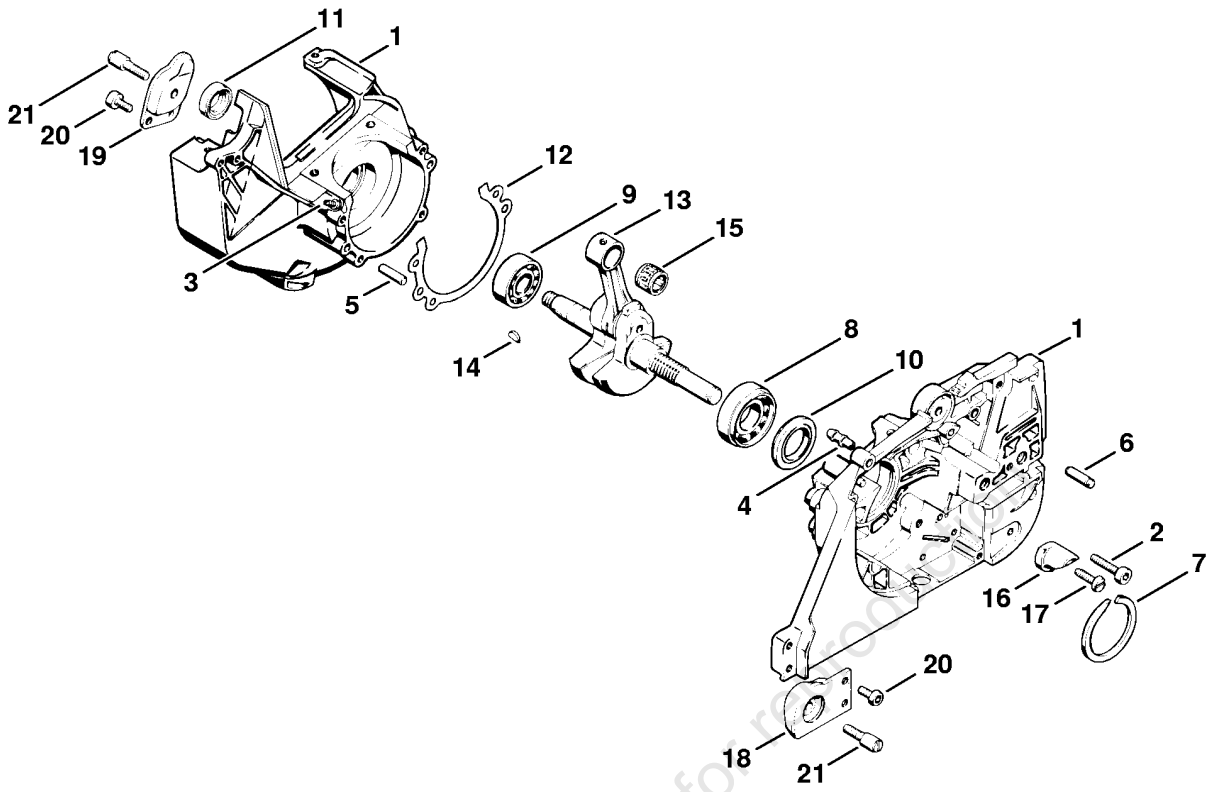
---

Tools, Extras

---

online version, not for reproduction

**Crankcase**



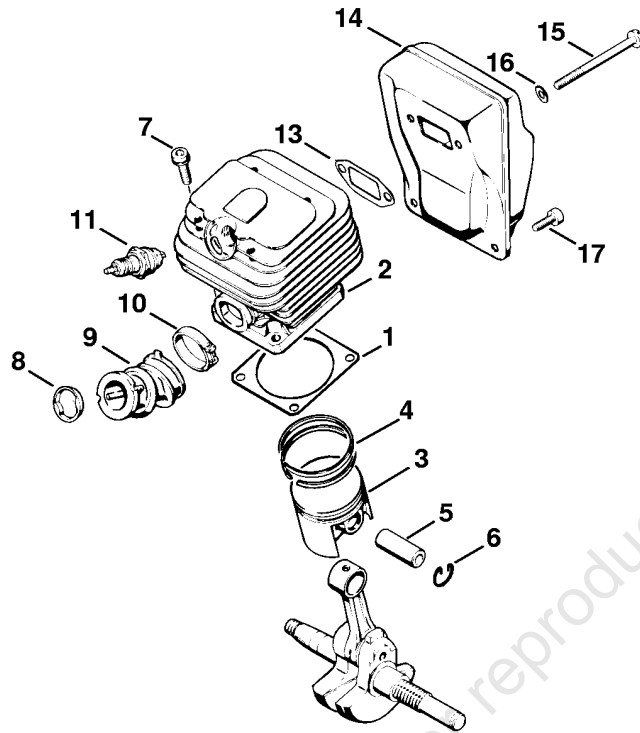
online version, not for reproduction

119ET001 LA

(1) 042, (2) 042 Q, (3) 042 R

## Crankcase

Reference	Item number	Qty	Description	Contains
1	1117 020 2106	1	Crankcase	2 - 9
2	9022 371 1050	4	Spline screw IS-M5x25	
3	0000 988 5203	1	Connector	
4	0000 988 5202	1	Connector	
5	9371 470 3120	2	Cylindrical pin 6x20	
6	1117 162 5225	1	Pin	
7	9465 620 2690	1	Snap ring 44	
8	9523 003 4360	1	Grooved ball bearing 20x42x14	
9	9503 003 0340	1	Grooved ball bearing 6202	
10	9640 003 3990	1	Oil seal 20x35.8x4	
11	9640 003 1570	1	Oil seal 15x24x7	
12	1117 029 0501	1	Gasket	
13	1117 030 0402	1	Crankshaft	14
14	9482 435 0030	1	Woodruff key 2x3.7	
15	9512 003 3410	1	Needle cage 13x17x14.5	
16	1117 656 7700	1	Chain catcher	
17	9041 216 1310	1	Pan head screw M6x18	
18	1117 790 9907	1	Annular buffer	
19	1117 790 9913	1	Annular buffer	
20	9079 319 0960	4	Flat head screw M5x12	
21	1117 791 6102	2	Pan head screw M6x28	



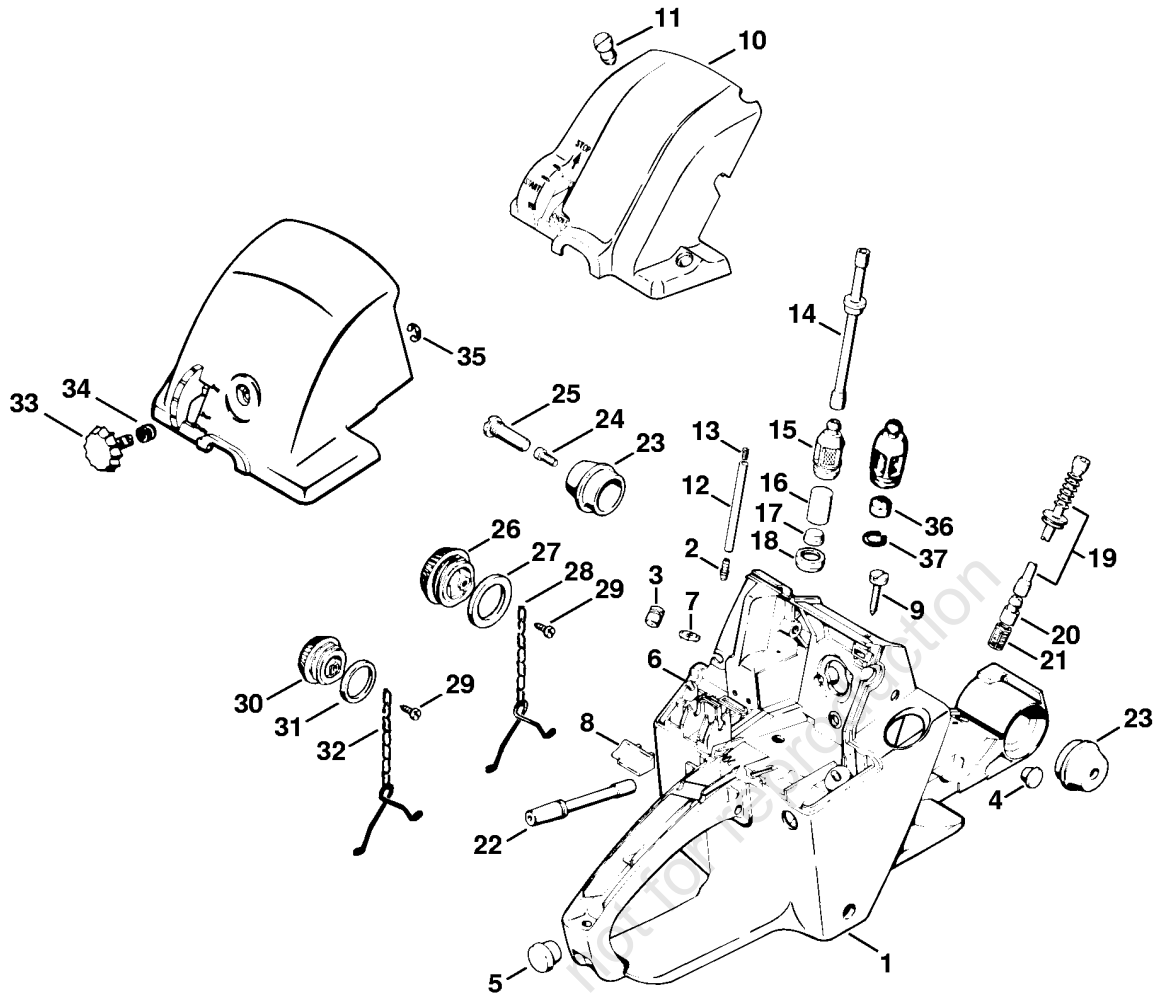
online version, not for reproduction

119ET003 LA

## Cylinder, Muffler

Reference	Item number	Qty	Description	Contains
1	1117 029 2301	1	Cylinder gasket	
2	1117 020 1200	1	Cylinder with piston Ø 49 mm	3 - 6
3	1117 030 2000	1	Piston Ø 49 mm	4 - 6
4	1117 034 3000	2	Piston ring Ø 49x1.5 mm	
5	1115 034 1500	1	Piston pin 13x8x34	
6	9462 650 1300	2	Snap ring 13	
7	9036 341 1350	4	Socket head screw M6x25	
8	1117 141 1800	1	Sleeve	
9	1117 141 2200	1	Manifold	
10	9771 021 2580	1	Hose clip Ø 34x7	
11	0000 400 7000	1	Spark plug NGK BPMR7A	
11	1110 400 7005	1	Spark plug Bosch WSR 6 F	
13	1115 149 0600	1	Muffler gasket	
14	1117 140 0612	1	Muffler	
15	9048 319 1150	2	Pan head screw M5x72	
16	9291 021 0120	1	Washer 5.3	
17	9036 341 0980	2	Socket head screw M5x16	

**Tank housing**



119ET000 SC

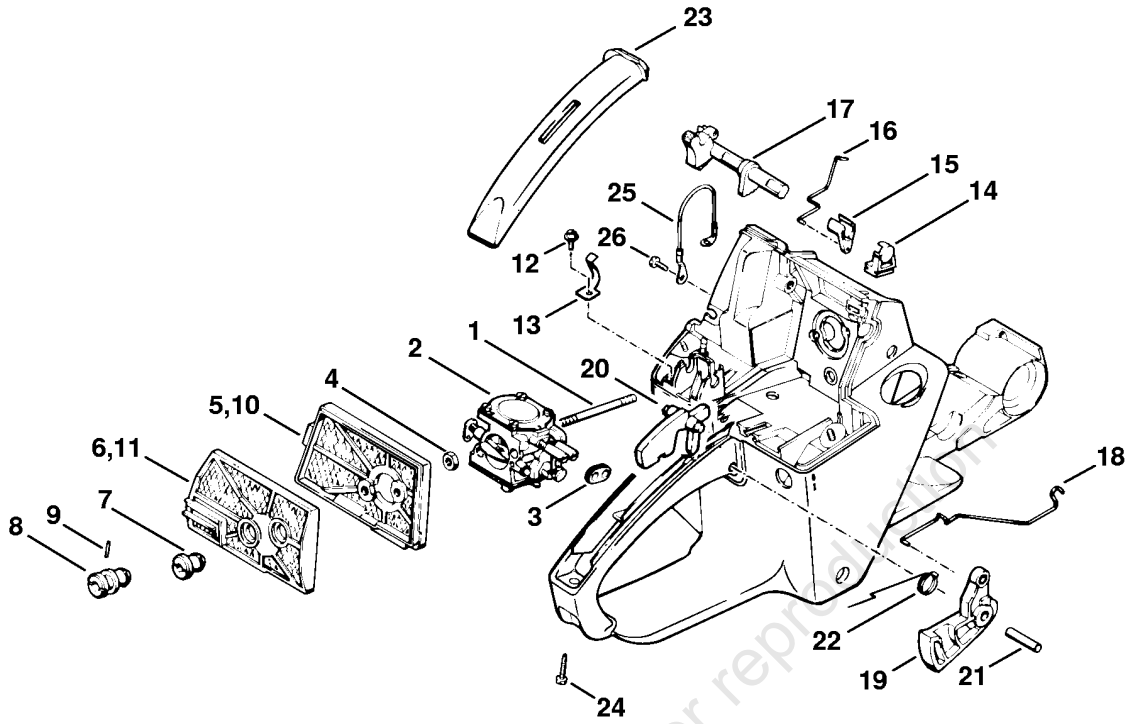
(1) 042, (2) 042 Q, (3) 042 R

## Tank housing

Reference	Item number	Qty	Description	Contains	Up to
1	1117 350 0806	1	Tank housing	2 - 11	
2	0000 988 5203	1	Connector		
3	1118 640 9100	1	Valve		
4	9302 929 0400	1	Plug 9		
5	1110 145 9001	1	Plug		
6	0000 953 0818	2	Stud M5		
7	1115 121 7700	1	Guide piece		
8	1117 432 9200	1	Support		
9	1117 122 6200	1	Idle speed screw		
10	1117 141 1005	1	Carburetor box cover		
11	1114 141 8300	2	Slotted nut		
12	1117 350 5800	1	Tank vent	13	
13	1120 358 8105	2	Vent insert		
14	1117 358 7700	1	Fuel hose		
15	1115 350 3503	1	Pickup body (C)	16 - 18	
16	1110 358 1800	1	Filter		
17	1115 358 8200	1	Weight (C)		
18	1115 358 2500	1	Cap (C)		
19	1117 647 9401	1	Hose		
20	1117 640 3800	1	Pickup body	21	
21	1117 647 6800	1	Strainer		
22	1115 141 8600	1	Impulse hose		
23	1117 790 9900	1	Annular buffer		
24	1114 652 8900	1	Locking screw M5x12		
25	1117 791 6105	2	Collar screw		
26	1117 350 0500	1	Filler cap	27 - 29	
27	0000 992 6302	1	Sealing ring		
28	1117 350 0905	1	Filler cap retainer		
29	9099 021 2360	1	Self-tapping screw 3.5x9.5		
30	1117 640 3600	1	Oil filler cap	29, 31, 32	
31	0000 992 6305	1	Sealing ring		
32	1117 350 0901	1	Filler cap retainer		
33	* 1113 140 9200	1	Twist lock		6230790
34	* 0000 997 0927	1	Compression spring		6230790
35	* 9460 624 0500	1	E-clip 5		6230790
36	* 1111 358 9100	1	Insert (C)		
37	* 9456 621 1130	1	Circlip 12x1		

(1) 042, (2) 042 Q, (3) 042 R



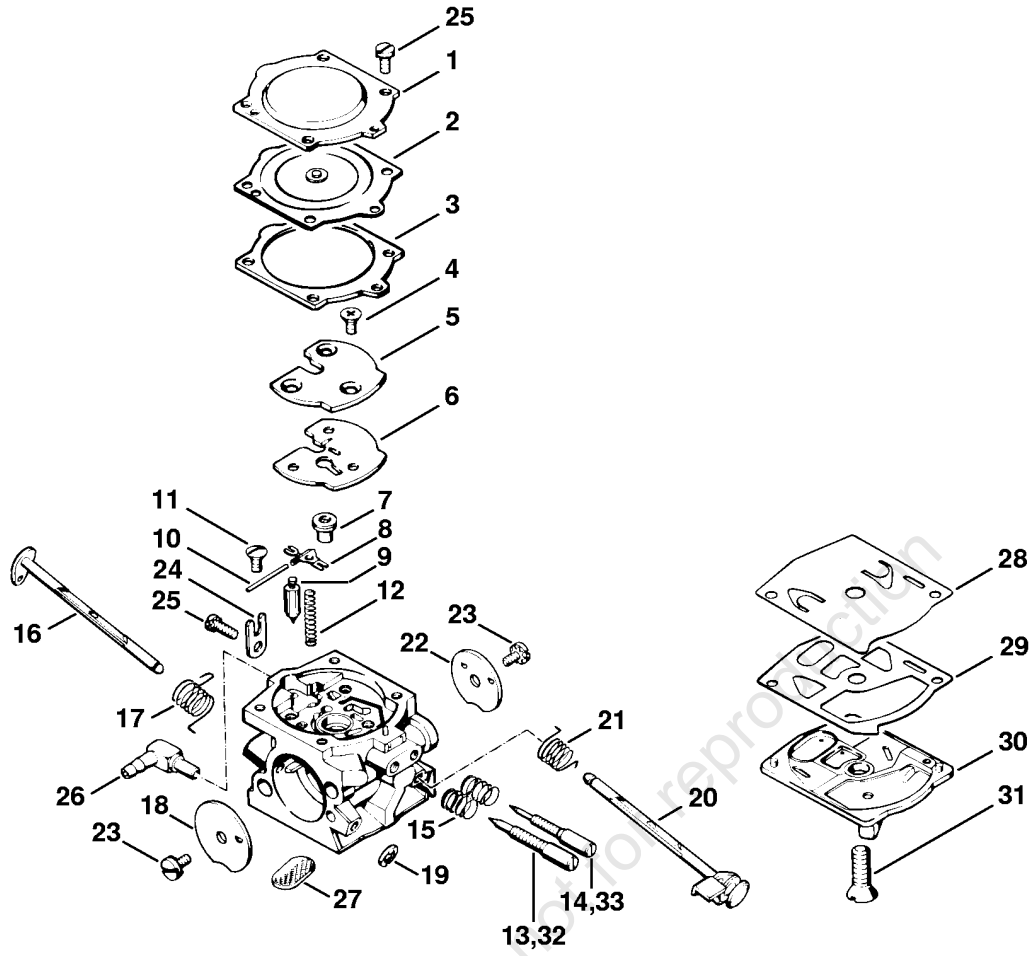


119ET007\_LA

(1) 042, (2) 042 Q, (3) 042 R

## Air filter

Reference	Item number	Qty	Description	Contains
1	9121 319 1120	2	Stud M5x55	
2	1117 120 0603	1	Carburetor WS-25	
3	1110 141 8800	1	Grommet	
4	9210 261 0700	2	Hexagon nut M5	
	1117 120 1610	1	Air filter, wire mesh	5 - 9
5	1117 120 1601	1	Air filter	
6	1117 120 1606	1	Air filter	
7	1113 141 8305	1	Slotted nut	
8	1117 140 9500	1	Slotted nut	9
9	9517 003 0160	1	Cylindrical roller A1.5x9.8	
	1117 120 1611	1	Air filter, flocked (B)	7 - 11
10	1117 120 1602	1	Air filter (B)	
11	1117 120 1607	1	Air filter (B)	
12	9047 319 0630	1	Pan head screw M4x8	
13	1117 442 1600	1	Contact spring	
14	1117 182 4400	1	Bearing	
15	1117 182 0801	1	Lever	
16	1117 185 1900	1	Choke rod	
17	1117 182 0900	1	Switch shaft	
18	1117 182 1500	1	Throttle rod	
19	1117 007 1009	1	Throttle lever kit	20
20	1117 182 0805	1	Lockout lever	
21	9371 470 2640	1	Cylindrical pin 5x24	
22	1117 182 4500	1	Torsion spring	
23	1118 791 0601	1	Handle molding	
24	9099 021 2810	1	Self-tapping screw 3.9x19	
25	1118 440 2200	1	Ground wire	
26	9039 488 0630	1	Self-tapping screw M4x8	



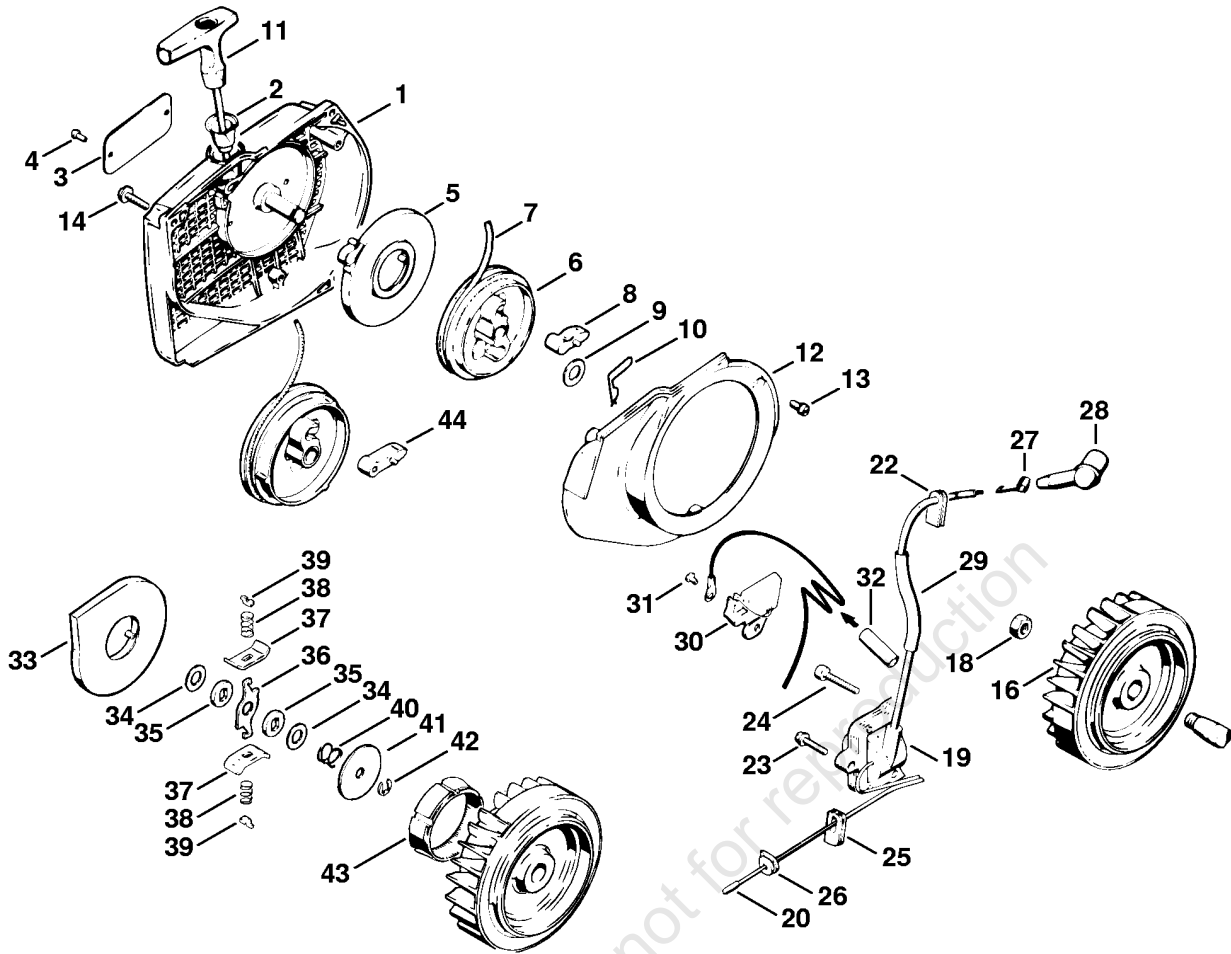
119ET019 SC

(1) 042, (2) 042 Q, (3) 042 R

## Carburetor

Reference	Item number	Qty	Description	Contains	Up to
	1117 120 0603	1	Carburetor WS-25	1 - 31	
1	1117 121 0800	1	End cover		
2	1117 121 4700	1	Metering diaphragm		
3	1116 129 0900	1	Gasket		
4	1111 122 7100	3	Screw (C)		
5	1117 121 7400	1	Plate		
6	1117 129 0900	1	Gasket		
7	1117 121 5400	1	Valve jet		
8	1117 121 5000	1	Inlet control lever		
9	1110 121 5100	1	Inlet needle		
10	1117 121 9200	1	Spindle		
11	1114 122 7400	1	Round head screw		
12	1117 122 3005	1	Spring		
13	1117 122 6705	1	High speed screw		
14	1117 122 6805	1	Low speed screw		
15	1106 122 3000	2	Spring		
16	1117 120 7200	1	Choke shaft with lever		
17	1117 122 3200	1	Torsion spring		
18	1117 121 2900	1	Choke shutter		
19	1117 122 9000	1	E-clip		
20	1117 120 7100	1	Throttle shaft with lever		
21	1117 122 3205	1	Torsion spring		
22	1117 121 3300	1	Throttle shutter		
23	1117 122 7400	2	Round head screw		
24	1110 122 9300	1	Clip		
25	1106 122 7400	5	Round head screw		
26	1117 122 3901	1	Elbow connector		
27	1117 121 7800	2	Strainer		
28	1117 121 4800	1	Pump diaphragm		
29	1111 129 0900	1	Gasket (C)		
30	1117 120 0805	1	End cover		
31	1117 122 7905	1	Countersunk screw		
32	* 1117 122 6700	1	High speed screw		6230790
33	* 1117 122 6800	1	Low speed screw		6230790

**Rewind starter, Ignition system**



119ET020 SC

(1) 042, (2) 042 Q, (3) 042 R

## Rewind starter, Ignition system

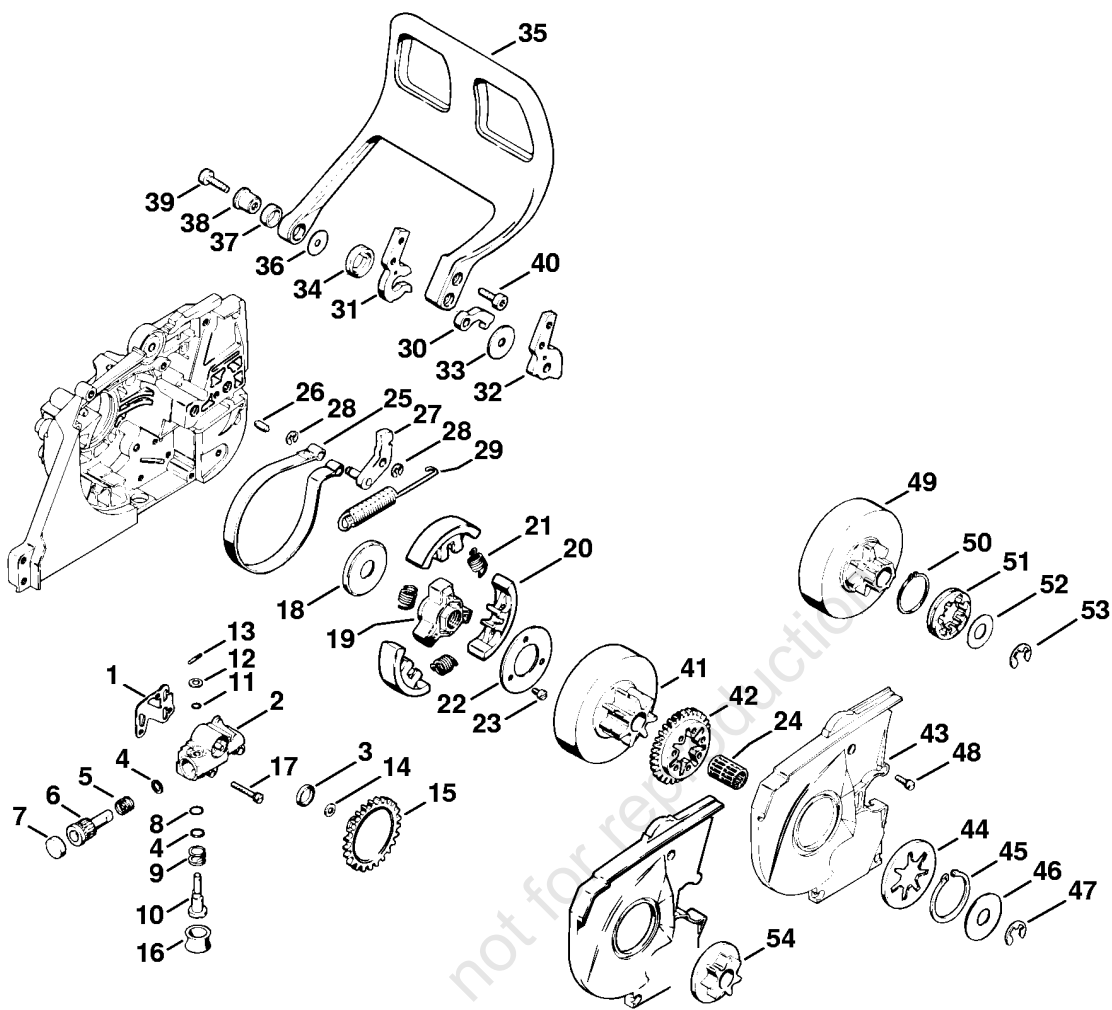
Reference	Item number	Qty	Description	Contains	Up to
1	1117 080 1801	1	Fan housing	2 - 4	
2	1110 084 9102	1	Bushing		
3	0000 967 2020	1	Nameplate STIHL		
4	0000 974 1000	2	Round head rivet 3x6		
5	1117 190 0601	1	Rewind spring		
6	1117 007 1014	1	Rope rotor kit	8	
7	1107 195 8200	1	Starter rope Ø 4.5x1000 mm		
8	1124 195 7200	1	Pawl		
9	1118 162 8935	1	Washer		
10	1117 195 3500	1	Spring		
11	1121 195 3400	1	Starter grip		
12	1117 084 7800	1	Segment		
13	9079 216 0660	3	Flat head screw M4x12		
14	9079 319 1010	2	Flat head screw M5x18		
16	1117 400 1211	1	Flywheel		
18	9211 260 1340	1	Hexagon nut M10x1		
19	1117 400 1305	1	Ignition coil	20	
20	1119 442 7000	1	Contact sleeve (C)		
22	0000 989 0509	1	Grommet		
23	9036 341 1020	1	Socket head screw M5x20		
24	9045 319 1070	1	Socket head screw M5x30		
25	0000 989 0506	1	Grommet		
26	0000 989 0507	1	Grommet		
27	0000 998 0603	1	Torsion spring		
28	1106 405 1000	1	Spark plug boot		
29	1117 442 0905	1	Insulating hose 110 mm / 4.3"		
30	1118 400 1004	1	Electronic unit		
31	9041 216 0300	1	Pan head screw M3x4		
32	1117 442 0400	1	Hose		
33	* 1117 190 0600	1	Rewind spring		5676790
34	* 0000 958 1010	2	Washer		5676790
35	* 1106 195 9001	2	Washer		5676790
	* 1106 190 4600	1	Friction shoe	36 - 40	5676790
36	* 1106 195 3000	1	Brake lever		5676790
37	* 1106 195 5000	2	Friction shoe plate		5676790
38	* 1106 195 5100	2	Friction shoe spring		5676790
39	* 1106 195 1700	2	Spring retainer plate		5676790
40	* 1106 195 2900	2	Brake spring		5676790

(1) 042, (2) 042 Q, (3) 042 R

**Rewind starter, Ignition system**

Reference	Item number	Qty	Description	Contains	Up to
41	* 1106 195 3200	1	Thrust washer		5676790
42	* 9460 624 0500	1	E-clip 5		5676790
43	* 0000 961 5116	1	Ring		5676790
44	* 1117 195 7200	1	Pawl		

online version, not for reproduction



online version, not for reproduction

119ET021 SC



## Oil pump, Clutch

Reference	Item number	Qty	Description	Contains
1	1117 649 1100	1	Gasket	
	1119 640 3200	1	Oil pump	2 - 15
2	1117 640 3001	1	Pump housing	3
3	9643 950 1160	1	Sealing ring 12x16x3	
4	0000 958 0701	2	Washer	
5	0000 997 1010	1	Compression spring	
6	1117 647 0601	1	Pump piston	
7	0000 988 6220	1	Plug	
8	9646 945 0490	1	O-ring 7x1.5	
9	0000 997 1200	1	Helical spring	
10	1117 647 4801	1	Control bolt	
11	9646 945 0230	1	O-ring 5x1.25	
12	9486 648 0100	1	Cup spring 10	
13	1117 647 9800	1	Pin	
14	0000 958 0402	1	Washer	
15	1119 640 7100	1	Worm	
16	0000 989 0401	1	Rubber ring	
17	9048 319 0740	3	Pan head screw M4x25	
18	1117 162 8905	1	Washer	
	1117 160 2005	1	Clutch	19 - 23
19	1117 162 3206	1	Carrier	
20	1117 162 0802	3	Clutch shoe	
21	0000 997 6202	3	Tension spring	
22	1115 162 8925	1	Washer	
23	9041 216 0610	3	Pan head screw M4x6	
24	9512 933 3150	1	Needle cage 12x16x24	
25	1117 160 5400	1	Brake band (2)	
26	1117 162 5230	1	Pin (2)	
27	1119 160 5000	1	Lever (2)	
28	9460 624 0500	2	E-clip 5 (2)	
29	1117 162 7900	1	Tension spring (2)	
30	1117 162 5005	1	Lever (2)	
31	1117 162 5010	1	Lever (2)	
32	1117 162 5015	1	Lever (1)	
33	1117 162 8902	1	Washer	
34	0000 998 1801	1	Torsion spring	
35	1117 007 1008	1	Hand guard kit	36 - 40
36	0000 958 0512	1	Washer	

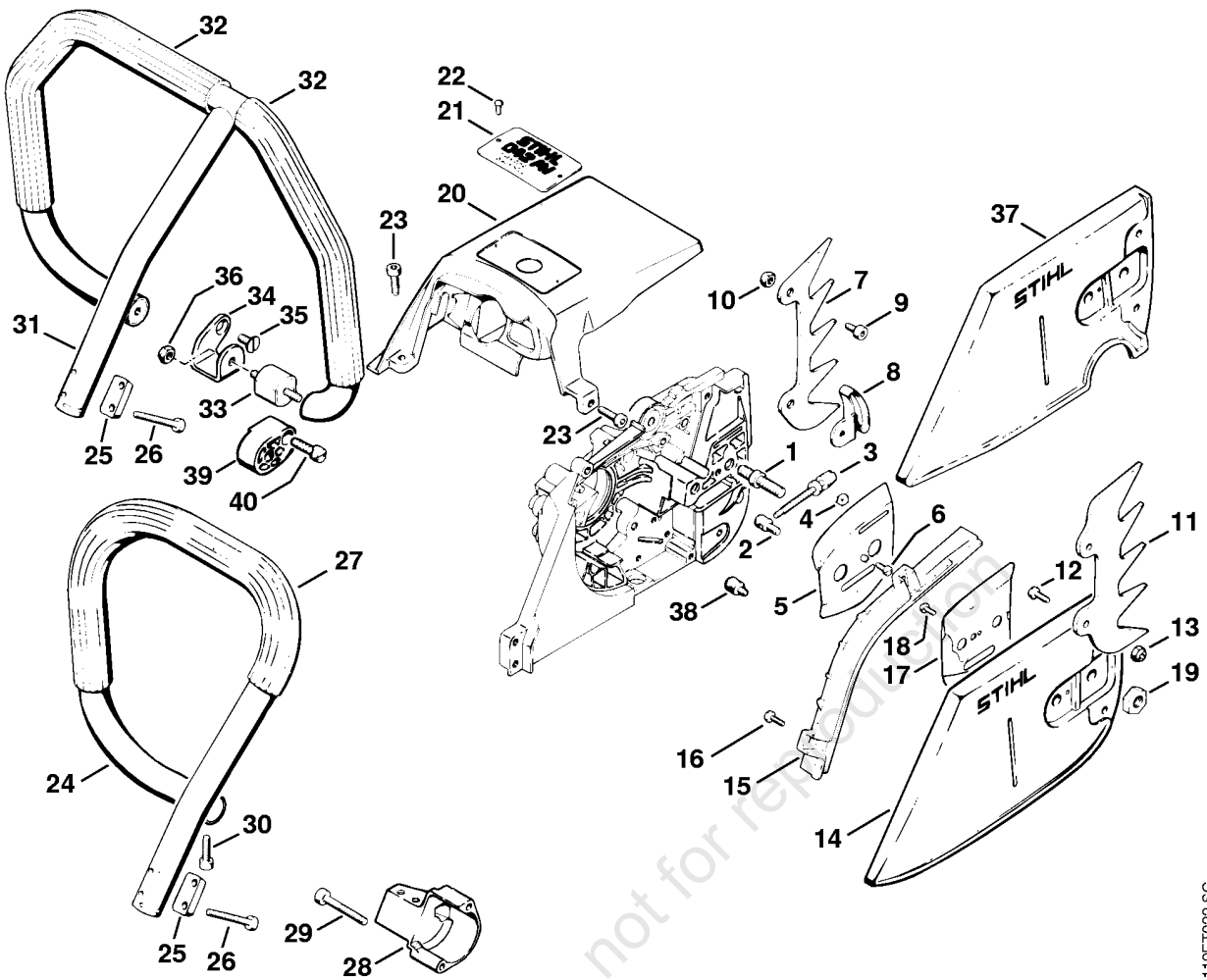
(1) 042, (2) 042 Q, (3) 042 R

## Oil pump, Clutch

Reference	Item number	Qty	Description	Contains
37	1117 792 8300	1	Bushing	
38	1118 791 7200	1	Sleeve	
39	9022 341 1010	1	Spline screw IS-M5x18	
40	9022 341 0980	2	Spline screw IS-M5x16	
41	1117 640 2001	1	Chain sprocket 3/8" 7T (1,2)	
42	1117 642 1503	1	Spur gear	
43	1117 020 1106	1	Cover	
44	1119 642 7800	1	Washer	
45	9455 621 4010	1	Circlip 36x1.2	
46	0000 958 1218	1	Washer	
47	9460 624 1001	1	E-clip 10x1.5	
48	9048 319 0660	5	Pan head screw M4x12	
	1117 007 1006	1	Rim sprocket kit 3/8" 7T (B)	49 - 53
49		1	Clutch drum (D)	
50	9455 621 2790	1	Circlip 25x1.2 (3)	
51	0000 642 1221	1	Rim sprocket 3/8" 7T (3)	
52	0000 958 1226	1	Washer (3)	
53	9460 624 1001	1	E-clip 10x1.5 (3)	
54	* 1117 640 2000	1	Chain sprocket 3/8" 7T	

(1) 042, (2) 042 Q, (3) 042 R

**Chain sprocket cover, Handlebar**



119ET022 SC

(1) 042, (2) 042 Q, (3) 042 R

## Chain sprocket cover, Handlebar

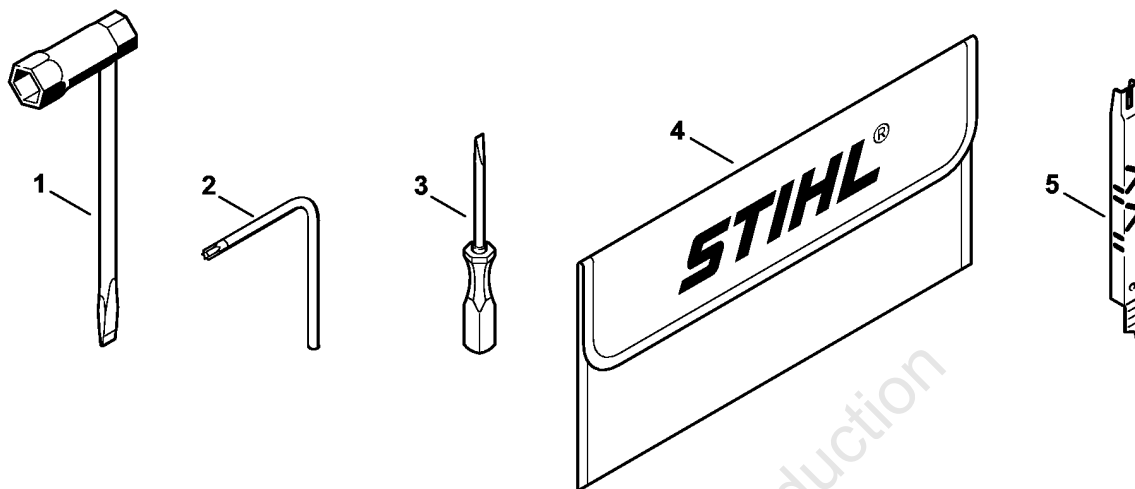
Reference	Item number	Qty	Description	Contains
1	0000 953 6605	2	Collar screw M8	
2	1120 664 1500	1	Tensioning nut	
3	1110 664 1600	1	Adjusting screw	
4	1110 021 9000	1	Clamp	
5	1117 664 1000	1	Inner side plate	
6	9048 319 0660	1	Pan head screw M4x12	
7	1115 664 0500	1	Bumper spike	
8	1117 664 0400	1	Spring (B)	
9	9022 341 1270	2	Spline screw IS-M6x14	
10	9214 320 0900	2	Lock nut M6	
11	1117 664 0502	1	Bumper spike (B)	
12	9079 319 0960	2	Flat head screw M5x12 (B)	
13	9214 320 0700	2	Lock nut M5 (B)	
14	1117 648 0400	1	Chain sprocket cover (1,2)	
15	1117 656 1500	1	Guard	
16	9079 216 0660	2	Flat head screw M4x12	
17	1117 664 1100	1	Outer side plate	
18	9041 216 0630	1	Pan head screw M4x8	
19	0000 955 0801	2	Hexagon nut M8	
20	1117 084 0900	1	Shroud	
21	0000 967 1547	1	Model plate 042 AVEQ	
22	0000 974 1000	2	Round head rivet 3x6	
23	9079 319 1010	3	Flat head screw M5x18	
24	1117 007 1011	1	Handlebar with hose 450 mm / 17 3/4" (1,2)	25, 26
25	1117 791 0500	1	Clamping strip	
26	9022 341 1090	2	Spline screw IS-M5x40	
27	0000 791 2004	1	Handle hose Ø 18 mm x 5 m / 3/4x197" (B) (1,2)	
28	1117 791 1900	1	Handlebar support	
29	9022 341 1090	2	Spline screw IS-M5x40	
30	9022 341 1020	2	Spline screw IS-M5x20	
31	1117 007 1013	1	Set wrap around handlebar (3)	
32	0000 791 2006	1	Handle hose Ø 20 mm x 5 m / 13/16x197" (B) (3)	
	1117 007 1000	1	Set of wrap around handlebar (B) (3)	
33	1115 790 9601	1	Annular buffer (3)	
34	1115 791 4400	1	Bracket (3)	
35	9062 319 1260	1	Countersunk screw M6x12 (3)	
36	9214 320 0900	1	Lock nut M6 (3)	
37	1117 648 0402	1	Chain sprocket cover (3)	

(1) 042, (2) 042 Q, (3) 042 R

**Chain sprocket cover, Handlebar**

Reference		Item number	Qty	Description	Contains
38	*	1110 664 1500	1	Tensioning nut	
39	*	1110 790 9600	1	Annular buffer	
40	*	9048 216 1320	1	Pan head screw M6x20	

online version, not for reproduction



online version, not for reproduction

## Tools, Extras

Reference	Item number	Qty	Description	Contains
	1121 890 1400	1	Tool kit	1 - 4
1	1129 890 3401	1	Combination wrench	
2	0812 370 1000	1	Screwdriver T27x120x70	
3	0000 890 2300	1	Screwdriver	
4	0000 891 0810	1	Tool roll	
		1	Extras:	
5	1110 893 4000	1	Filing gauge	
	1117 007 1050	1	Set of gaskets (A)	
	1117 007 1060	1	Set of carburetor parts (A)	
	0000 930 2206	1	Ignition lead 30.4 m (A)	
	0000 930 2200	1	Starter rope Ø 4.5 mm x 30.5 m (A)	
	0000 930 2213	1	Starter rope Ø 4.5 mm x 60.8 m (A)	

online version, not for reproduction