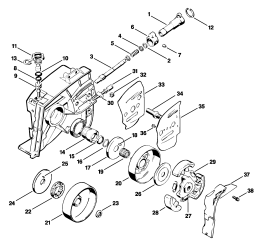
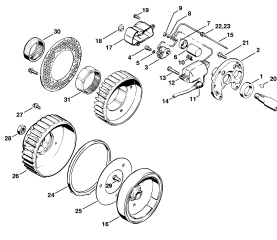


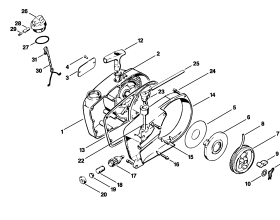
Crankcase, Cylinder, Muffler



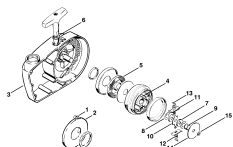
Oil pump, Clutch



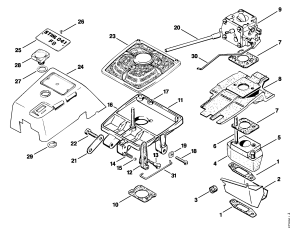
Ignition system



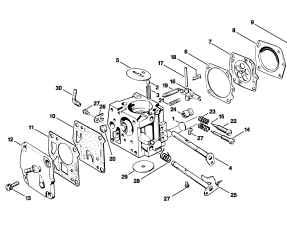
Rewind starter



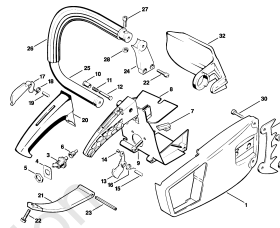
Rewind starter (11.68)



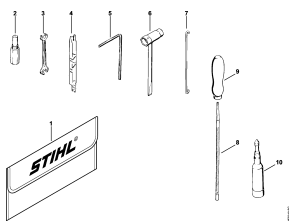
Filter housing, Filter cover



Carburetor



Chain sprocket cover, Shroud



Tools, Extras

online version, not for reproduction

Description

Crankcase, Cylinder, Muffler

Oil pump, Clutch

Ignition system

Rewind starter

Rewind starter (11.68)

Filter housing, Filter cover

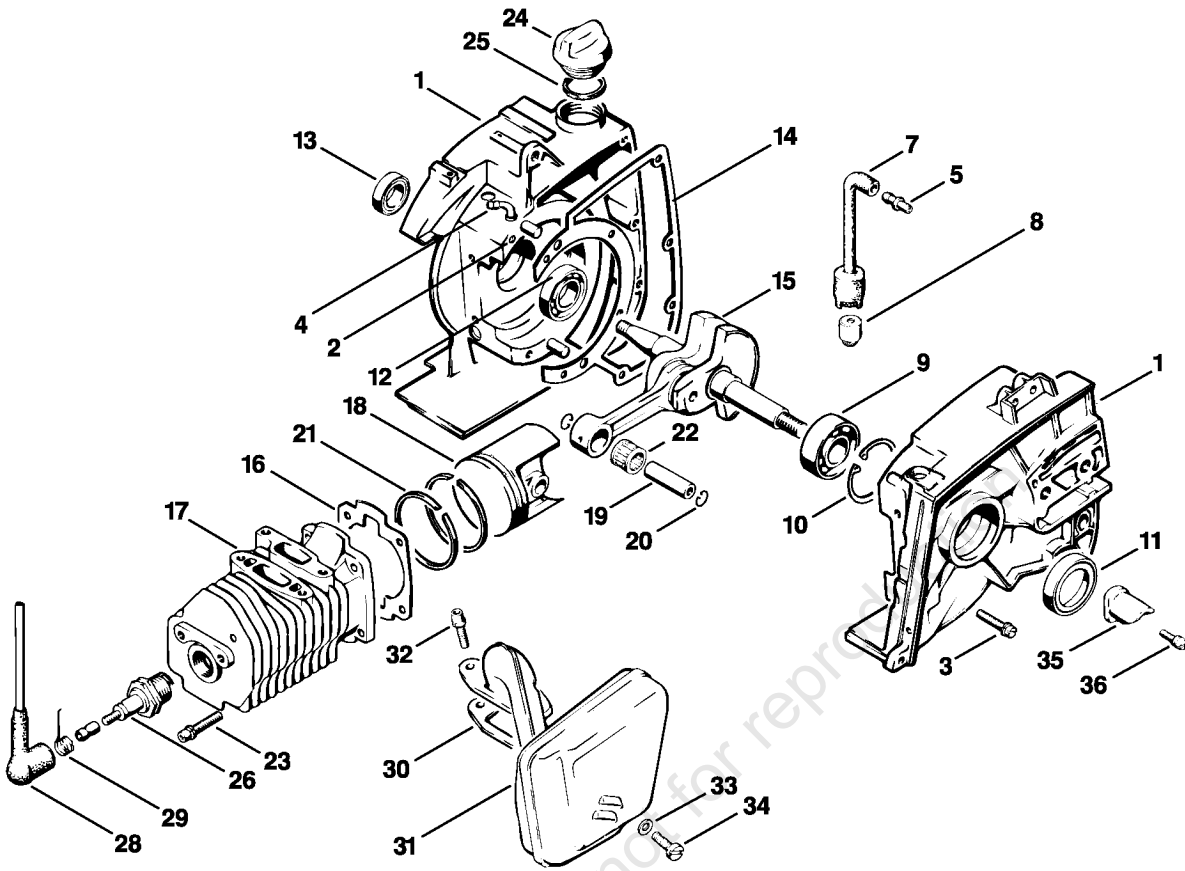
Carburetor

Chain sprocket cover, Shroud

Tools, Extras

online version, not for reproduction

Crankcase, Cylinder, Muffler

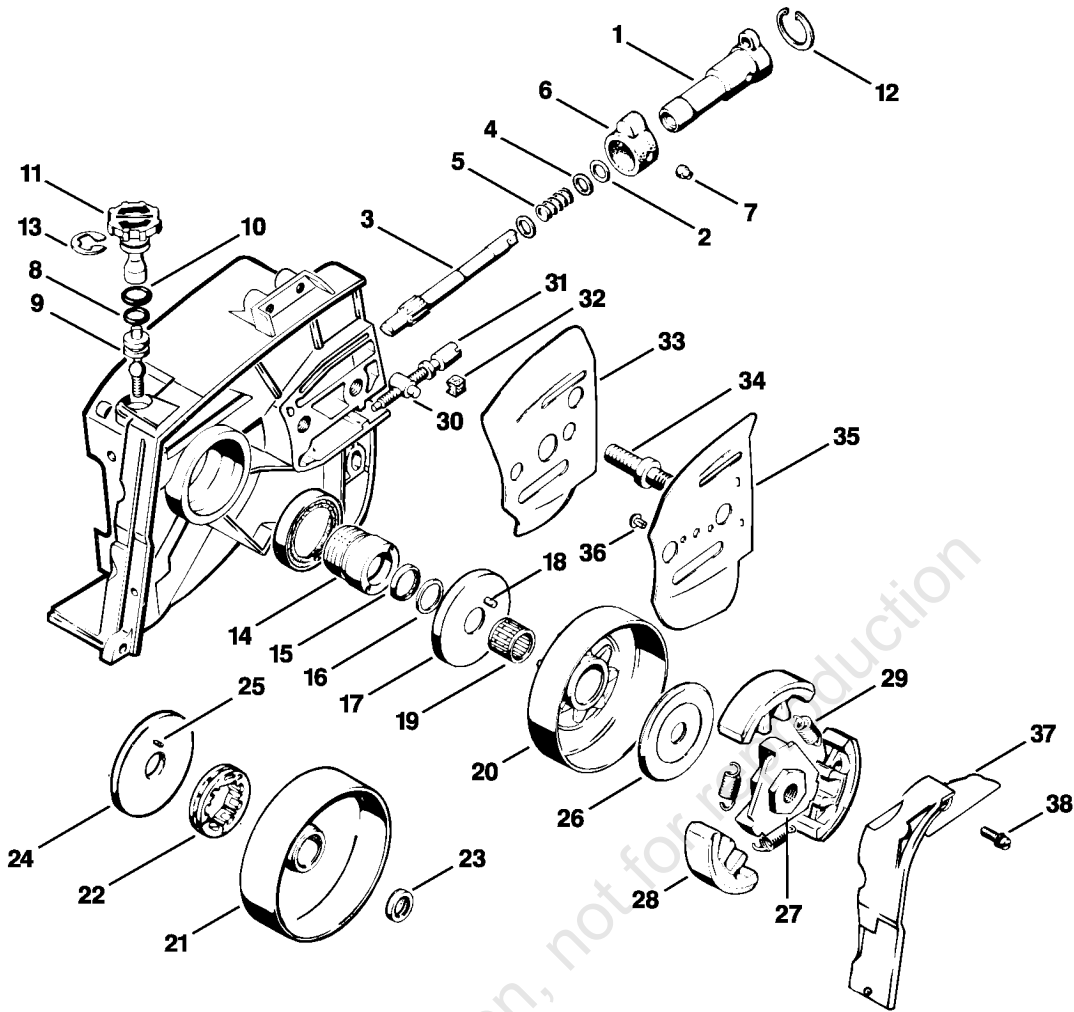


159ET001 LÄ

Crankcase, Cylinder, Muffler

Reference	Item number	Qty	Description	Contains
1	1110 020 2104	1	Crankcase	2 - 5, 9, 12
2	9371 470 3120	2	Cylindrical pin 6x20	
3	9048 216 1010	8	Pan head screw M5x18	
4	1110 122 3900	1	Elbow connector	
5	0000 988 5202	1	Connector	
7	1110 647 9400	1	Hose	
8	1106 640 3801	1	Pickup body	
9	9503 003 0340	1	Grooved ball bearing 6202	
10	9456 621 3860	1	Circlip 35x1.5	
11	9629 003 2860	1	Oil seal 25x37x7	
12	9503 003 0310	1	Grooved ball bearing 6002	
13	9640 003 1570	1	Oil seal 15x24x7	
14	1110 029 0501	1	Gasket	
15	1110 030 0401	1	Crankshaft	
15	* 1110 030 0400	1	Crankshaft	
16	1110 029 2300	1	Cylinder gasket	
17	1110 020 1210	1	Cylinder with piston Ø 44 mm	18 - 21
18	1110 030 2000	1	Piston Ø 44 mm	19 - 21
19	1110 034 1500	1	Piston pin 10x6x32	
20	9462 650 1000	2	Snap ring 10	
21	1110 034 3000	2	Piston ring Ø 44x1.5 mm	
22	9512 003 2340	1	Needle cage 10x14x13	
23	9036 341 1010	4	Socket head screw M5x18	
24	1114 640 3600	1	Oil filler cap	25
25	0000 992 6305	1	Sealing ring	
26	1110 400 7005	1	Spark plug Bosch WSR 6 F	
26	0000 400 7000	1	Spark plug NGK BPMR7A	
28	1106 405 1000	1	Spark plug boot	
29	0000 998 0603	1	Torsion spring	
30	1110 149 0600	1	Muffler gasket	
31	1110 140 0601	1	Muffler	
	1110 140 0615	1	Muffler USA, AUS, CDN	
32	9036 341 0980	2	Socket head screw M5x16	
33	9291 021 0120	1	Washer 5.3	
34	9048 216 1010	1	Pan head screw M5x18	
35	1114 656 7700	1	Chain catcher	
36	9021 319 0670	1	Pan head screw M4x14-Z1	

Oil pump, Clutch



159ET002 LÄ

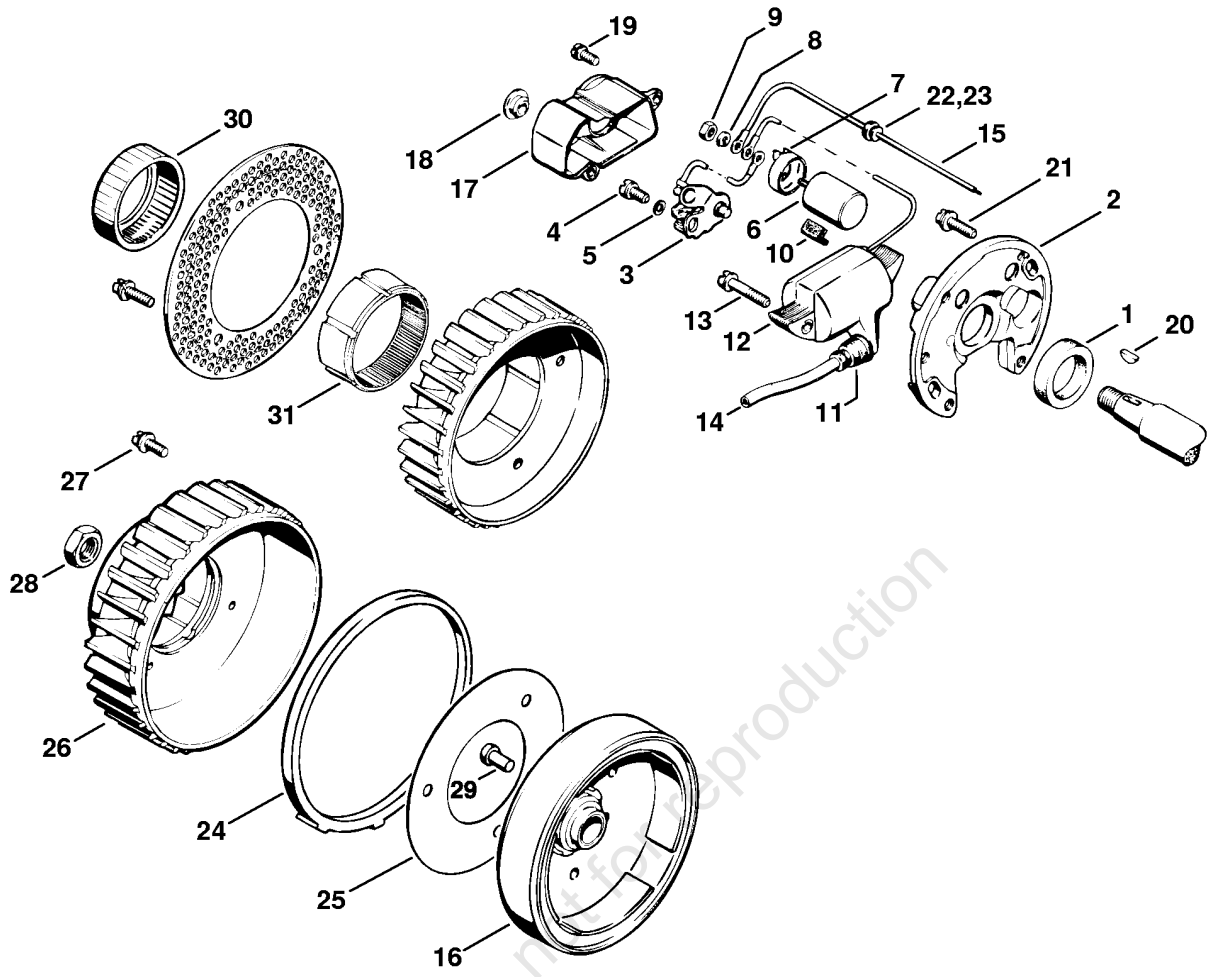
Oil pump, Clutch

Reference	Item number	Qty	Description	Contains
	1110 640 3200	1	Oil pump	1 - 7
1	1110 640 3000	1	Pump housing	
2	9646 945 0340	1	O-ring 6x1.5	
3	1110 647 0601	1	Pump piston	
4	0000 958 0602	2	Washer	
5	0000 997 0805	1	Compression spring	
6	1110 647 9000	1	Rubber ring	
7	0000 963 0501	2	Bushing	
8	9646 945 0490	1	O-ring 7x1.5	
9	1110 647 4800	1	Control bolt	
10	9646 945 0590	1	O-ring 8x2	
11	1110 647 4900	1	Control knob	
12	9456 621 2140	1	Circlip 20x1	
13	9460 624 0800	1	E-clip 8	
14	1110 640 7100	1	Worm	15, 16
15	9643 003 1160	1	Sealing ring 12x16x3	
16	1110 647 9705	1	Ring	
17	1110 030 7502	1	Cover washer	18
18	9371 651 1360	1	Cylindrical pin 2.5x11	
19	9512 933 3000	1	Needle cage 12x15x13	
20	1113 640 2000	1	Chain sprocket 3/8"	
	1110 007 1040	1	Rim sprocket kit 3/8" 7T (B)	21 - 25
21		1	Clutch drum (D)	
22	0000 642 1220	1	Rim sprocket 3/8" 7T	
23	0000 961 1001	1	Ring	
24	1110 030 7503	1	Cover washer	25
25	9371 651 1350	1	Cylindrical pin 2.5x10	
26	1110 162 8900	1	Washer	
	1113 160 2010	1	Clutch	27 - 29
27	1113 162 3205	1	Carrier	
28	1113 162 0802	3	Clutch shoe	
29	0000 997 5811	3	Tension spring	
30	1110 664 1500	1	Tensioning nut	
31	1110 664 1600	1	Adjusting screw	
32	1110 021 9000	1	Clamp	
33	1113 664 1001	1	Inner side plate	
34	1110 664 2400	2	Collar screw	
35	1113 664 1100	1	Outer side plate	

Oil pump, Clutch

Reference	Item number	Qty	Description	Contains
36	9441 065 1910	2	Round head rivet 3x8	
37	1110 656 1502	1	Guard plate	
38	9044 319 0660	1	Pan head screw M4x12	

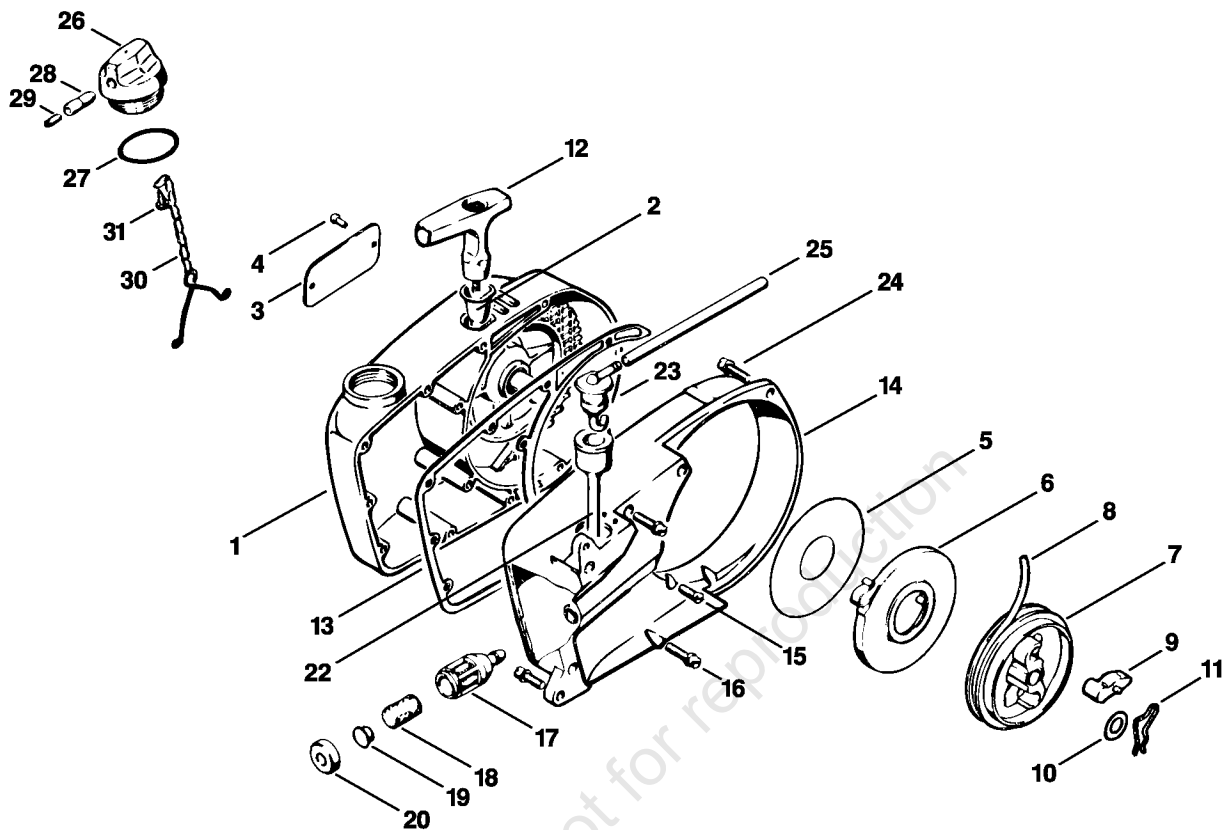
online version, not for reproduction



159ET000 GM

Ignition system

Reference	Item number	Qty	Description	Contains	Up to
1	0000 992 5740	1	Sealing ring		
2	1110 400 0511	1	Magneto	3 - 18	
3	1115 400 2000	1	Set of points		
4	9041 216 0630	1	Pan head screw M4x8		
5	9322 630 0100	1	Spring washer 4		
6	1115 404 3400	1	Capacitor		
7	1115 404 8800	1	Cap		
8	9321 630 0080	1	Spring washer 3		
9	9210 260 0400	1	Hexagon nut M3		
10	1110 404 4200	1	Felt wick		
11	0000 989 1010	1	Grommet		
12	1115 404 3200	1	Ignition coil		
13	9110 313 0700	2	Flat head screw M4x19		
14		1	Ignition lead 295 mm (D)		
15	1110 440 1102	1	Short circuit wire		
16	1110 400 1205	1	Flywheel		
17	1115 400 8200	1	Dust cap	18	
18	1110 145 9001	1	Plug		
19	9047 319 0340	2	Pan head screw M3x8		
20	9482 435 0030	1	Woodruff key 2x3.7		
21	9021 319 0670	2	Pan head screw M4x14-Z1		
22	0000 989 0804	1	Grommet		
23	0000 989 0801	4	Grommet		
24	1110 086 8902	1	Sealing ring		
25	1110 089 0500	1	Gasket		
26	1110 086 0505	1	Fanwheel		
27	9044 319 0680	3	Pan head screw M4x16		
28	9210 261 1140	1	Hexagon nut M8x1		
29	0000 988 6008	3	Plug		
30	* 0000 961 5115	1	Ring		2705869
31	* 0000 961 5116	1	Ring		5816401

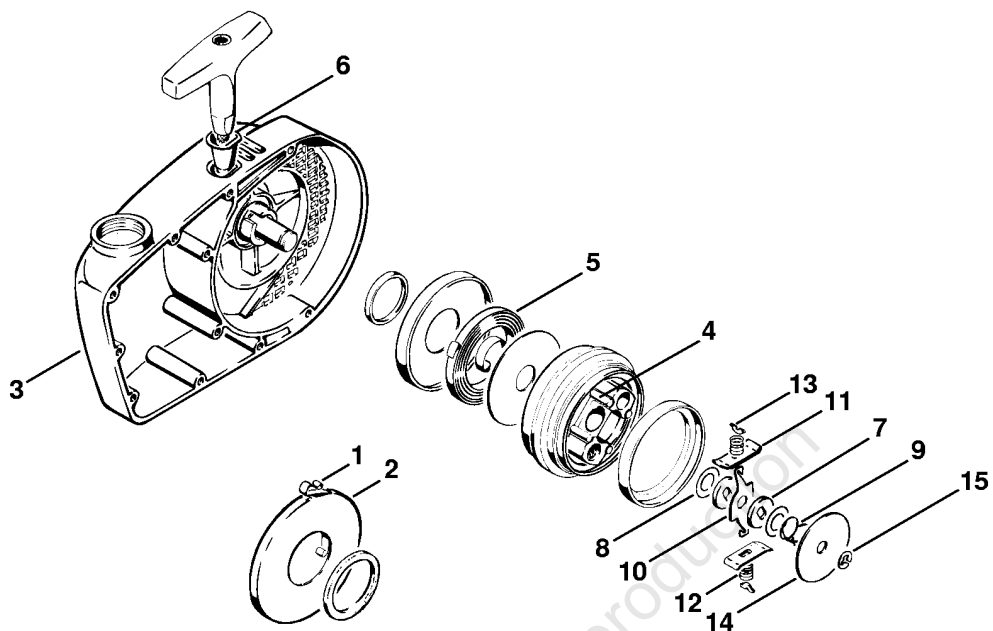


online version, not for reproduction

110ET010 LÄ

Rewind starter

Reference	Item number	Qty	Description	Contains
	1110 080 2815	1	Fan cover with rewind starter	1 - 12
1	1110 080 2805	1	Fan cover	2 - 4
2	1110 084 9102	1	Bushing	
3	0000 967 2020	1	Nameplate STIHL	
4	9441 065 1270	2	Round head rivet 2.6x6	
5	1106 195 9015	1	Washer	
6	1117 190 0601	1	Rewind spring	
7	1117 007 1014	1	Rope rotor kit	9
8	1107 195 8200	1	Starter rope Ø 4.5x1000 mm	
9	1124 195 7200	1	Pawl	
10	1118 162 8935	1	Washer	
11	1117 195 3500	1	Spring	
12	1121 195 3400	1	Starter grip	
13	1110 359 0701	1	Gasket	
14	1110 084 1000	1	Fan housing	
15	9062 319 0660	2	Countersunk screw M4x12	
16	9048 319 0660	9	Pan head screw M4x12	
17	1115 350 3503	1	Pickup body (C)	18 - 20
18	1110 358 1800	1	Filter	
19	1115 358 8200	1	Weight (C)	
20	1115 358 2500	1	Cap (C)	
22	1113 358 7700	1	Hose	
23	1110 350 1200	1	Elbow connector	
24	9048 216 1010	4	Pan head screw M5x18	
25		1	Hose 3.1x5.7x135 mm, R3 (D)	
	0000 930 2803	1	Hose 3.1x5.7 mm x 1 m, R3 (A,B)	
26	1110 350 0501	1	Filler cap	27 - 31
27	9645 945 2820	1	O-ring 25x2.5	
28	1110 353 8100	1	Insert	
29	0000 951 5800	1	Grub screw	
30	1117 350 0905	1	Filler cap retainer	
31	9099 021 2360	1	Self-tapping screw 3.5x9.5	



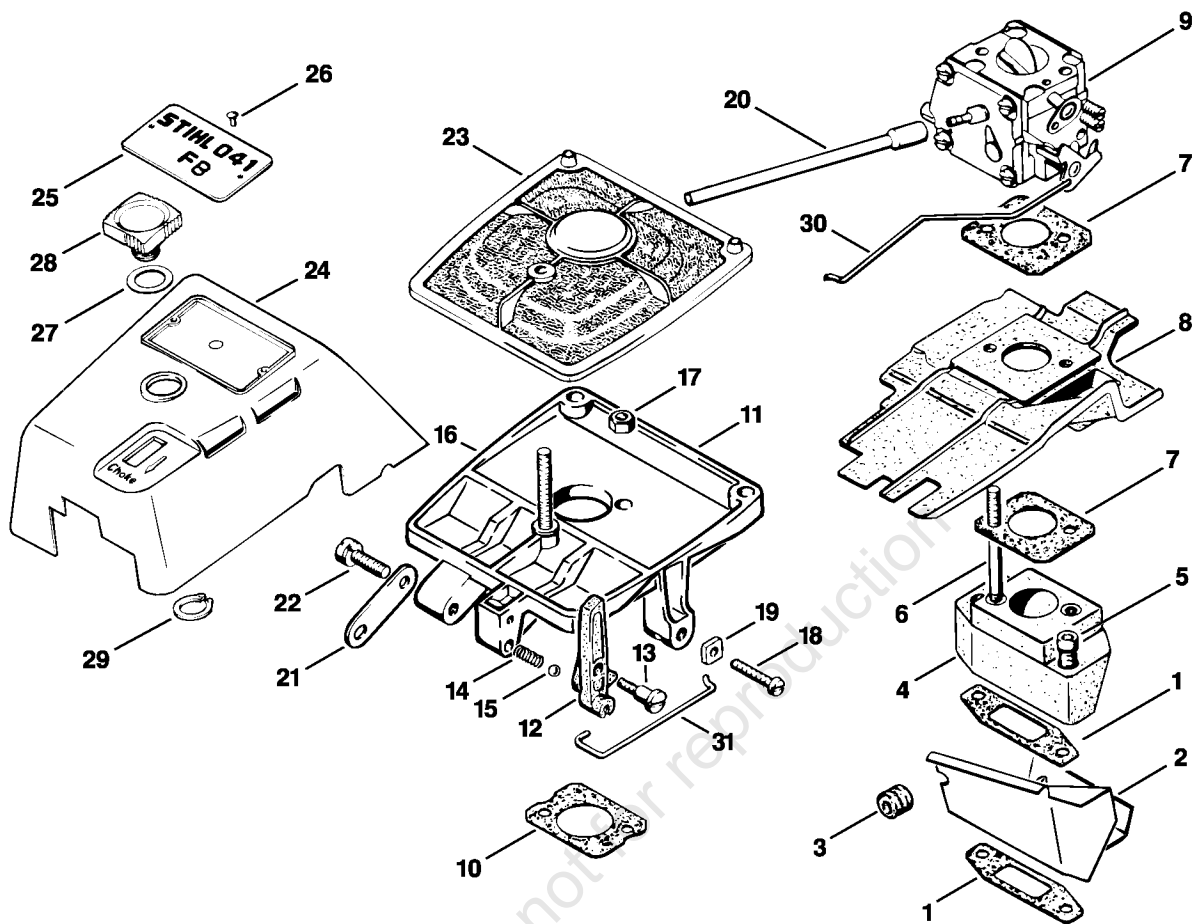
online version, not for reproduction

110ET024 GM

Rewind starter (11.68)

Reference	Item number	Qty	Description	Up to
1	* 1110 190 0600	1	Rewind spring	2663618
2	* 1110 195 0300	1	Spring housing	2663618
3	* 1110 080 2800	1	Fan cover	
4	* 1106 195 9800	4	Notched pin	
5	* 1111 195 1600	1	Rewind spring	
6	* 1107 195 8200	1	Starter rope Ø 4.5x1000 mm	
7	* 1106 195 9001	2	Washer	
8	* 0000 958 1010	2	Washer	
	* 1106 190 4600	1	Friction shoe	
9	* 1106 195 2900	1	Brake spring	
10	* 1106 195 3000	1	Brake lever	
11	* 1106 195 5000	2	Friction shoe plate	
12	* 1106 195 5100	2	Friction shoe spring	
13	* 1106 195 1700	2	Spring retainer plate	
14	* 1106 195 3200	1	Thrust washer	
15	* 9460 624 0500	1	E-clip 5	

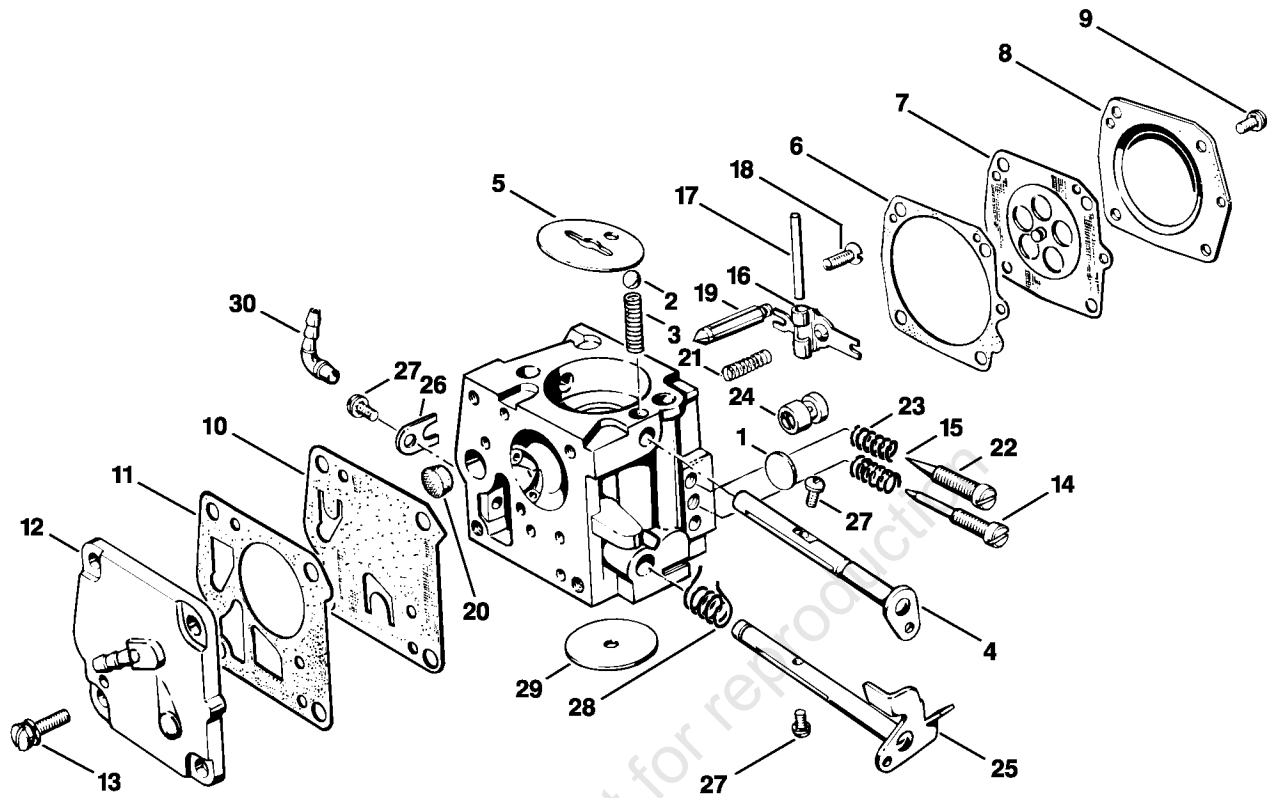
online version, not for reproduction



159ET006 LÄ

Filter housing, Filter cover

Reference	Item number	Qty	Description	Contains
1	1110 129 1401	2	Gasket	
2	1110 146 7401	1	Deflecting plate	
3	0000 989 0802	1	Grommet	
4	1110 120 2201	1	Flange	
5	9036 341 1070	2	Socket head screw M5x30	
6	9123 319 0890	2	Stud M5x58	
7	1111 129 1100	2	Gasket	
8	1110 141 3000	1	Insulating plate	
9	1110 120 0610	1	Carburetor HS-181C	
10	1110 149 1200	1	Gasket	
11	1110 140 2815	1	Filter housing	12 - 15
12	1111 185 2000	1	Choke lever	
13	0000 951 2600	1	Oval head screw M4x10	
14	0000 997 0326	1	Compression spring	
15	9516 003 1720	1	Ball Ø 4 mm	
16	4110 148 1000	1	Stud	
17	9216 261 0700	2	Hexagon nut M5	
18	1110 122 6201	1	Idle speed screw	
19	1115 121 7700	1	Guide piece	
20		1	Hose 3.1x5.7x120 mm, R3 (D)	
	0000 930 2803	1	Hose 3.1x5.7 mm x 1 m, R3 (A,B)	
21	1110 148 4000	1	Strap	
22	9048 216 1010	1	Pan head screw M5x18	
23	1110 120 1601	1	Air filter, flocked	
24	1110 084 0604	1	Cover	
25	0000 967 1568	1	Model plate 041 Farm Boss	
26	0000 974 1000	2	Round head rivet 3x6	
27	0000 958 1705	1	Washer	
28	1110 140 9500	1	Slotted nut	
29	9455 621 1670	1	Circlip 16x1	
30	1110 182 1505	1	Throttle rod	
31	1110 185 1904	1	Choke rod	



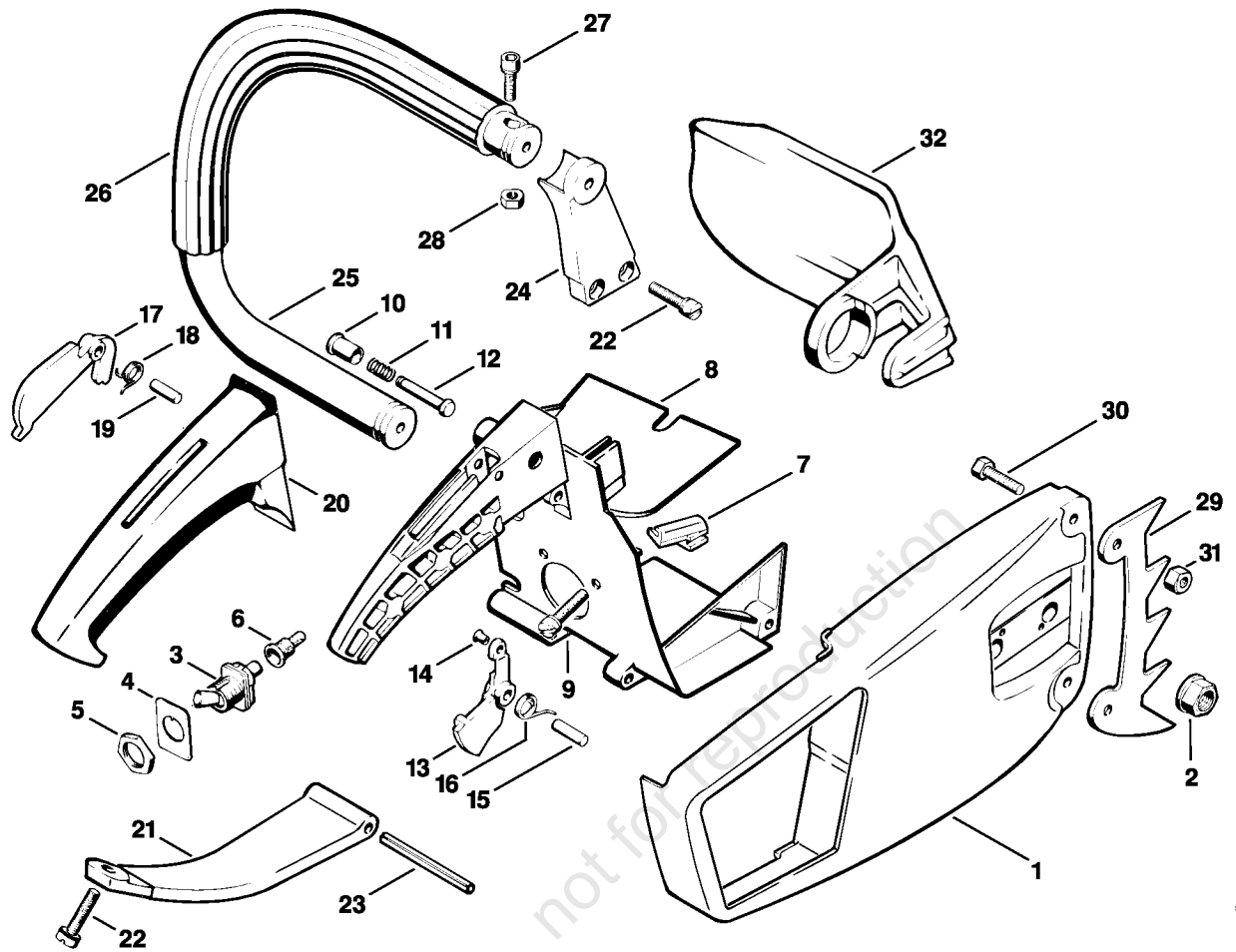
online version, not for reproduction

110ET015 LÄ

Carburetor

Reference	Item number	Qty	Description	Contains
	1110 120 0610	1	Carburetor HS-181C	1 - 30
1	1110 122 9410	1	Plug	
2	1110 122 4200	1	Ball	
3	1110 122 3000	1	Spring	
4	1110 120 7200	1	Choke shaft with lever	
5	1115 121 2900	1	Choke shutter	
6	1110 129 0900	1	Gasket	
7	1110 121 4700	1	Metering diaphragm	
8	1110 121 0811	1	End cover	
9	1106 122 7400	4	Round head screw	
10	1110 121 4800	1	Pump diaphragm	
11	1110 129 1110	1	Gasket	
12	1110 121 0815	1	End cover	
13	1110 122 7700	4	Oval head screw	
14	1110 122 6800	1	Low speed screw	
15	1110 122 3030	1	Spring	
16	1124 121 5000	1	Inlet control lever	
17	1110 121 9200	1	Spindle	
18	1110 122 7800	1	Oval head screw	
19	1110 121 5100	1	Inlet needle	
20	4221 121 7800	1	Strainer	
21	1110 122 3020	1	Spring	
22	1110 122 6700	1	High speed screw	
23	1106 122 3000	1	Spring	
24	1110 121 5400	1	Valve jet	
25	1110 120 7100	1	Throttle shaft with lever	
26	1110 122 9005	1	E-clip	
27	1110 122 7400	2	Round head screw	
28	1110 122 3200	1	Torsion spring	
29	1110 121 3300	1	Throttle shutter	
30	1110 122 3900	1	Elbow connector	

Chain sprocket cover, Shroud

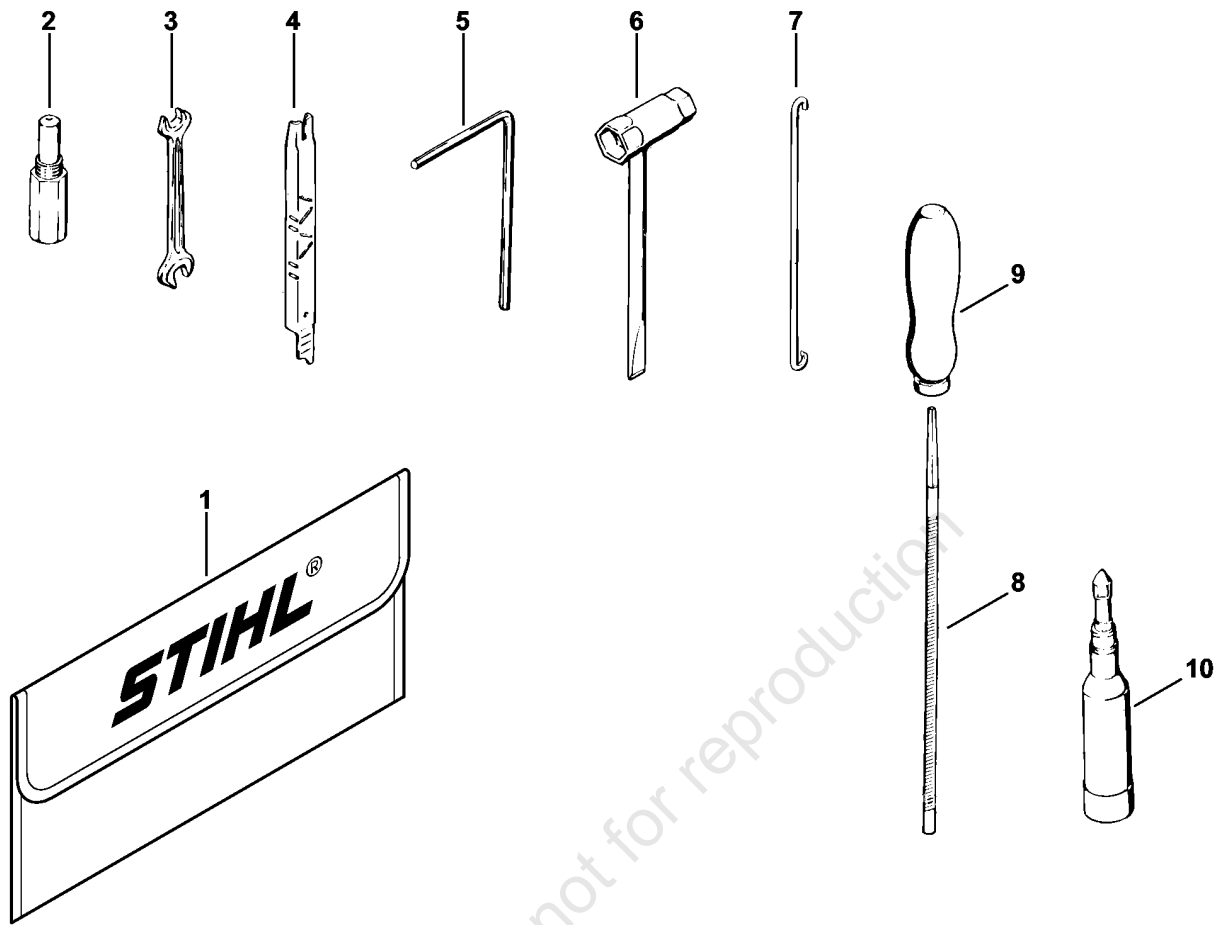


159ET008 LÄ

Chain sprocket cover, Shroud

Reference	Item number	Qty	Description	Contains	Up to
1	1110 648 0410	1	Chain sprocket cover		
2	0000 955 0801	2	Hexagon nut M8		
3	1110 430 0202	1	Stop switch		
4	0000 967 3506	1	Label		
5	9211 260 1430	1	Hexagon nut M12x0.75		
6	1110 432 9200	1	Grommet		
7	0000 989 0502	1	Clamp		
8	1110 080 1601	1	Shroud	10 - 19	
9	9048 216 1010	4	Pan head screw M5x18		
10	1111 182 9300	1	Starting throttle lock		
11	0000 997 0603	1	Compression spring		
12	1114 182 8901	1	Pin		
13	1110 180 1501	1	Throttle trigger	14	
14	9415 415 2240	1	Hollow rivet 3x0.3x5		
15	9373 542 2610	1	Cylindrical pin 5x18		
16	0000 998 1105	1	Torsion spring		
17	1110 182 0800	1	Lockout lever		
18	0000 998 1001	1	Torsion spring		
19	9373 470 2120	1	Cylindrical pin 4x18		
20	1110 791 2203	1	Rubber grip		
21	1110 791 7600	1	Support		
22	9048 216 1010	1	Pan head screw M5x18		
23	9380 620 2800	1	Roll pin 5x55		
24	1110 791 1901	1	Handlebar support		
25	1110 790 1501	1	Handlebar with hose 300 mm / 11 13/16"		
26	0000 791 2004	1	Handle hose Ø 18 mm x 5 m / 3/4x197" (B)		
27	9036 341 1020	2	Socket head screw M5x20		
28	9214 320 0700	2	Lock nut M5		
29	1110 664 0501	2	Bumper spike		
30	9008 345 0960	4	Hexagon head screw M5x12		
31	9214 320 0700	4	Lock nut M5		
32	1113 792 9100	1	Hand guard		
	* 1108 180 1600	1	Starting throttle lock		4480860
	* 1110 180 1500	1	Throttle trigger		4480860
	* 1110 791 2200	1	Rubber grip		6066141

Tools, Extras



online version, not for reproduction

159ET010 SC

Tools, Extras

Reference	Item number	Qty	Description	Contains
	1110 890 1410	1	Tool kit	1 - 7
1	0000 891 0800	1	Tool roll	
2	1107 191 1201	1	Locking screw	
3	0811 012 1152	1	Wrench 8x10	
4	1110 893 4000	1	Filing gauge	
5	0811 270 1080	1	Allen key 4x70x130	
6	1119 890 3405	1	Combination wrench	
7	1110 893 8800	1	Hook	
8	0811 411 8108	1	Round file Ø 5.5x200 mm (B)	
9	0811 490 7860	1	File handle A100 (B)	
10	1108 890 2500	1	Grease gun (B)	
	1110 007 1050	1	Set of gaskets (A, B)	
	1110 007 1060	1	Set of carburetor parts (A, B)	
	0000 930 2207	1	Hose 3.1x5.7 mm x 3 m, R5 (A, B)	
	0000 930 2202	1	Ignition lead 10 m (A, B)	
	0000 930 2200	1	Starter rope Ø 4.5 mm x 30.5 m (A, B)	
	0000 930 2213	1	Starter rope Ø 4.5 mm x 60.8 m (A, B)	