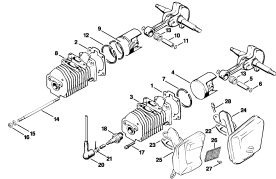
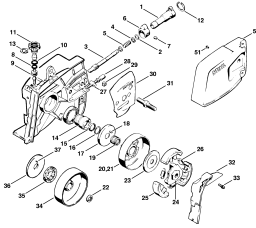


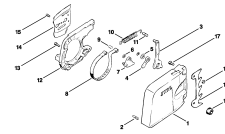
Crankcase



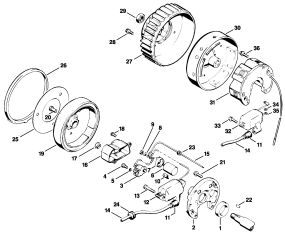
Cylinder, Muffler



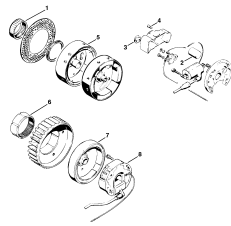
Oil pump, Clutch, Chain sprocket cover



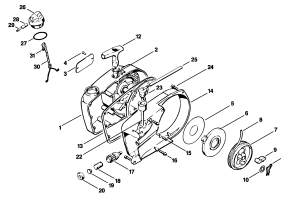
Chain brake



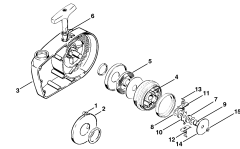
Ignition system



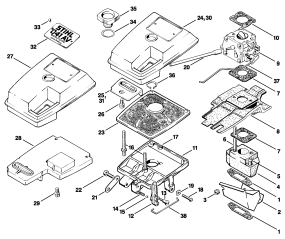
Ignition system (27.79)



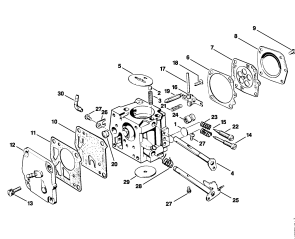
Rewind starter



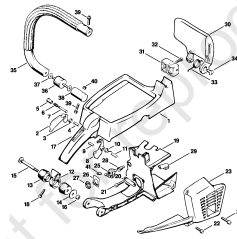
Rewind starter (11.68)



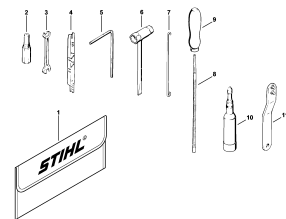
Filter housing, Air filter



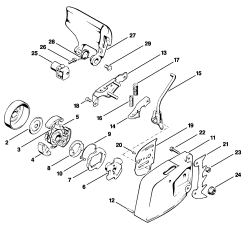
Carburetor



Handle frame, Shroud



Tools, Extras



Chain brake with isolating clutch

041 AV

Description

Crankcase

Cylinder, Muffler

Oil pump, Clutch, Chain sprocket cover

Chain brake

Ignition system

Ignition system (27.79)

Rewind starter

Rewind starter (11.68)

Filter housing, Air filter

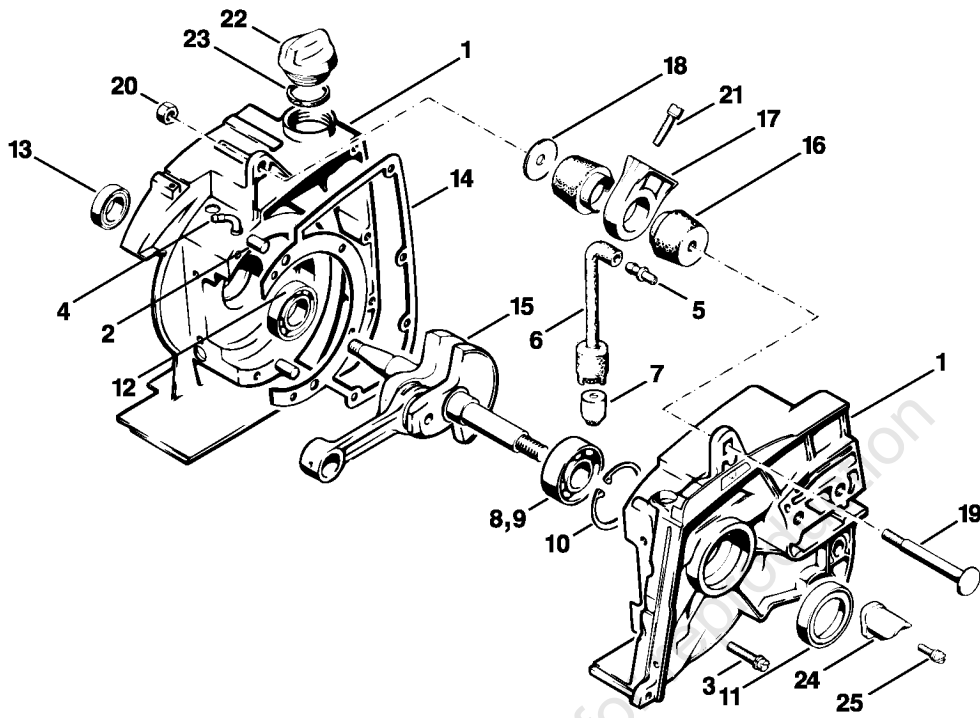
Carburetor

Handle frame, Shroud

Tools, Extras

Chain brake with isolating clutch

online version, not for reproduction

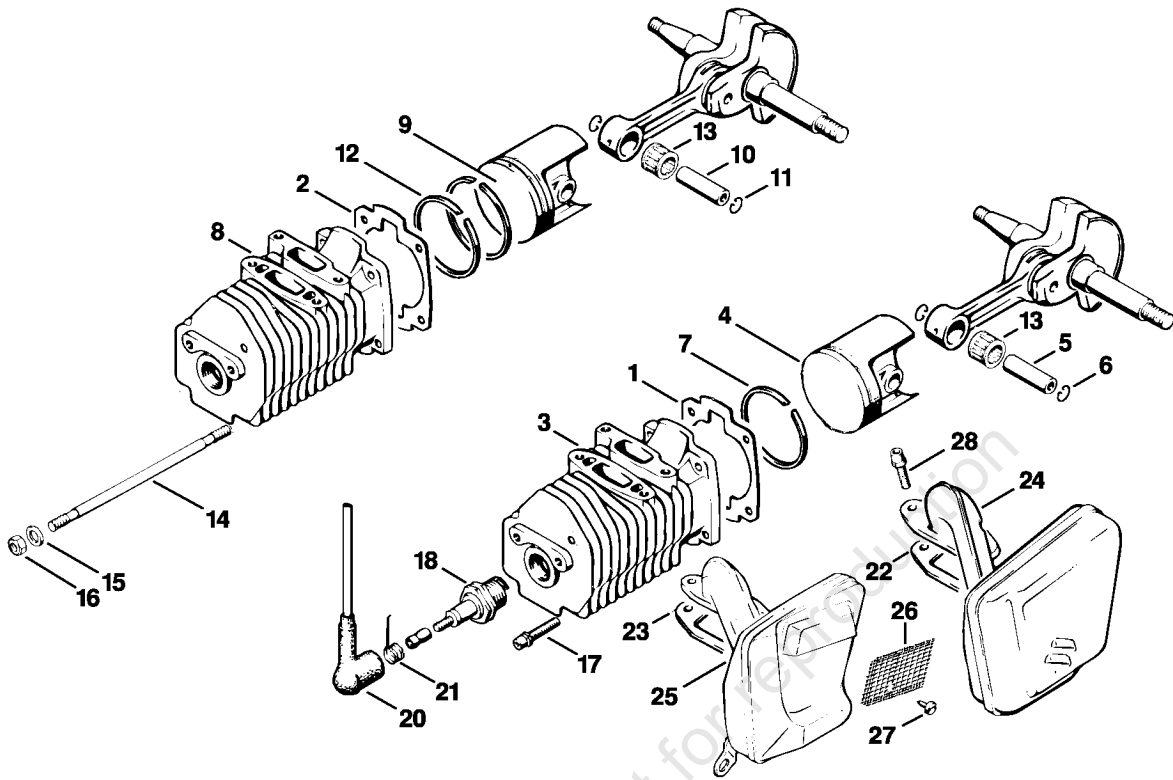


online version, not for reproduction

110ET001 LÄ

Crankcase

| Reference | Item number | Qty | Description | Contains |
|-----------|---------------|-----|-----------------------------------|------------------|
| 1 | 1110 020 2105 | 1 | Crankcase | 2 - 5, 9, 10, 12 |
| 2 | 9371 470 3120 | 2 | Cylindrical pin 6x20 | |
| 3 | 9048 216 1010 | 8 | Pan head screw M5x18 | |
| 4 | 1110 122 3900 | 1 | Elbow connector | |
| 5 | 0000 988 5202 | 1 | Connector | |
| 6 | 1110 647 9400 | 1 | Hose | |
| 7 | 1106 640 3801 | 1 | Pickup body | |
| 8 | 9503 003 0340 | 1 | Grooved ball bearing 6202 (1,2,3) | |
| 9 | 9503 003 0341 | 1 | Grooved ball bearing 6202 (4) | |
| 10 | 9456 621 3860 | 1 | Circlip 35x1.5 | |
| 11 | 9629 003 2860 | 1 | Oil seal 25x37x7 | |
| 12 | 9503 003 0310 | 1 | Grooved ball bearing 6002 | |
| 13 | 9640 003 1570 | 1 | Oil seal 15x24x7 | |
| 14 | 1110 029 0501 | 1 | Gasket | |
| 15 | 1110 030 0401 | 1 | Crankshaft | |
| 16 | 1110 790 9900 | 2 | Annular buffer | |
| 17 | 1110 791 5400 | 1 | Support | |
| 18 | 0000 958 0502 | 1 | Washer | |
| 19 | 0000 951 8210 | 1 | Flat head screw M6 | |
| 20 | 9214 320 0700 | 1 | Lock nut M5 | |
| 21 | 9048 216 1010 | 2 | Pan head screw M5x18 | |
| 22 | 1114 640 3600 | 1 | Oil filler cap | 23 |
| 23 | 0000 992 6305 | 1 | Sealing ring | |
| 24 | 1114 656 7700 | 1 | Chain catcher | |
| 25 | 9021 319 0670 | 1 | Pan head screw M4x14-Z1 | |



online version, not for reproduction

110ET003 LÄ

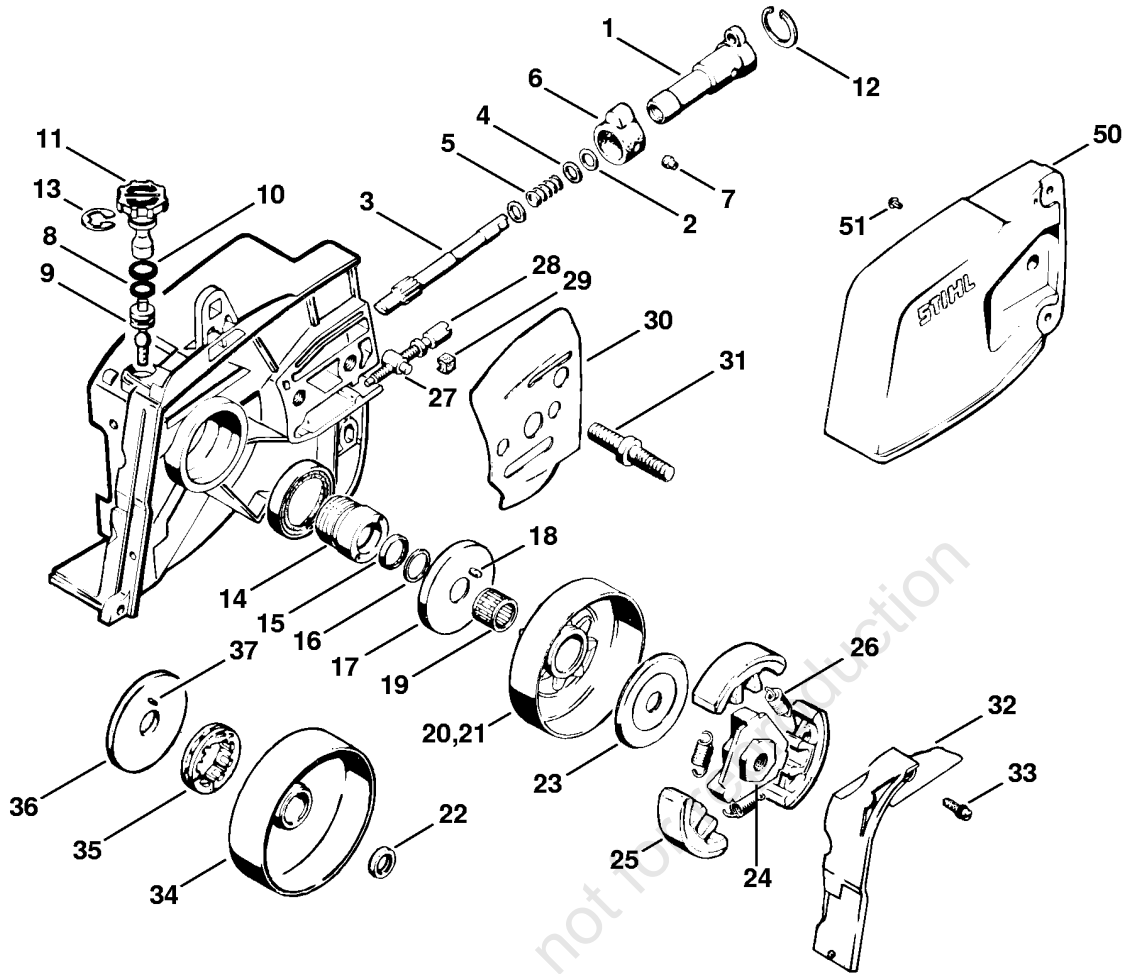
(1) 041 AVEQ, (2) 041 AVFBQ, (3) 041 AVQ, (4) 041 AVSEQ

Cylinder, Muffler

| Reference | Item number | Qty | Description | Contains |
|-----------|---------------|-----|--------------------------------------|----------|
| 1 | 1110 029 2300 | 1 | Cylinder gasket (1,2,3) | |
| 2 | 1110 029 2301 | 1 | Cylinder gasket (4) | |
| 3 | 1110 020 1210 | 1 | Cylinder with piston Ø 44 mm (1,2,3) | 4 - 7 |
| 4 | 1110 030 2000 | 1 | Piston Ø 44 mm | 5 - 7 |
| 5 | 1110 034 1500 | 1 | Piston pin 10x6x32 | |
| 6 | 9462 650 1000 | 2 | Snap ring 10 | |
| 7 | 1110 034 3000 | 2 | Piston ring Ø 44x1.5 mm | |
| 8 | 1110 020 1203 | 1 | Cylinder with piston Ø 48 mm (4) | 9 - 12 |
| 9 | 1110 030 2003 | 1 | Piston Ø 48 mm | 10 - 12 |
| 10 | 1110 034 1502 | 1 | Piston pin 10x6x35 | |
| 11 | 9462 650 1000 | 2 | Snap ring 10 | |
| 12 | 1110 034 3003 | 2 | Piston ring Ø 48x1.5 mm | |
| 13 | 9512 003 2340 | 1 | Needle cage 10x14x13 | |
| 14 | 0000 953 0816 | 4 | Stud (4) | |
| 15 | 9291 021 0120 | 4 | Washer 5.3 (4) | |
| 16 | 9210 261 0700 | 4 | Hexagon nut M5 (4) | |
| 17 | 9036 341 1010 | 4 | Socket head screw M5x18 (1,2,3) | |
| 18 | 1110 400 7005 | 1 | Spark plug Bosch WSR 6 F | |
| 18 | 0000 400 7000 | 1 | Spark plug NGK BPMR7A | |
| 20 | 1106 405 1000 | 1 | Spark plug boot | |
| 21 | 0000 998 0603 | 1 | Torsion spring | |
| 22 | 1110 149 0600 | 1 | Muffler gasket (1,2,3) | |
| 23 | 1110 149 0601 | 1 | Muffler gasket (4) | |
| 24 | 1110 140 0606 | 1 | Muffler | |
| 25 | 1110 140 0613 | 1 | Muffler USA, AUS, CDN | 26, 27 |
| 25 | 1110 140 0614 | 1 | Muffler USA, AUS, CDN (4) | 26, 27 |
| 26 | 1111 141 9005 | 1 | Screen | |
| 27 | 9099 021 0810 | 1 | Self-tapping screw 4.2x9.5 | |
| 28 | 9036 341 0980 | 2 | Socket head screw M5x16 | |

(1) 041 AVEQ, (2) 041 AVFBQ, (3) 041 AVQ, (4) 041 AVSEQ

Oil pump, Clutch, Chain sprocket cover



110ET000 GM

(1) 041 AVEQ, (2) 041 AVFBQ, (3) 041 AVQ, (4) 041 AVSEQ

Oil pump, Clutch, Chain sprocket cover

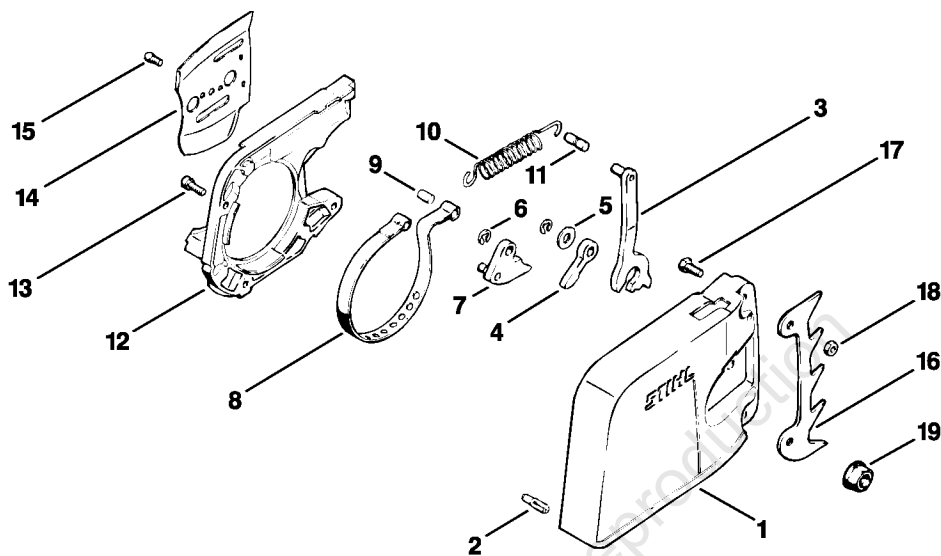
| Reference | Item number | Qty | Description | Contains | Up to |
|-----------|---------------|-----|-------------------------------|-------------|---------|
| | 1110 640 3200 | 1 | Oil pump | 1 - 7 | |
| 1 | 1110 640 3000 | 1 | Pump housing | | |
| 2 | 9646 945 0340 | 1 | O-ring 6x1.5 | | |
| 3 | 1110 647 0601 | 1 | Pump piston | | |
| 4 | 0000 958 0602 | 2 | Washer | | |
| 5 | 0000 997 0805 | 1 | Compression spring | | |
| 6 | 1110 647 9000 | 1 | Rubber ring | | |
| 7 | 0000 963 0501 | 2 | Bushing | | |
| 8 | 9646 945 0490 | 1 | O-ring 7x1.5 | | |
| 9 | 1110 647 4800 | 1 | Control bolt | | |
| 10 | 9646 945 0590 | 1 | O-ring 8x2 | | |
| 11 | 1110 647 4900 | 1 | Control knob | | |
| 12 | 9456 621 2140 | 1 | Circlip 20x1 | | |
| 13 | 9460 624 0800 | 1 | E-clip 8 | | |
| 14 | 1110 640 7100 | 1 | Worm | 15, 16 | |
| 15 | 9643 003 1160 | 1 | Sealing ring 12x16x3 | | |
| 16 | 1110 647 9705 | 1 | Ring | | |
| 17 | 1110 030 7502 | 1 | Cover washer | 18 | |
| 18 | 9371 651 1360 | 1 | Cylindrical pin 2.5x11 | | |
| 19 | 9512 933 3000 | 1 | Needle cage 12x15x13 | | |
| 20 | 1113 640 2000 | 1 | Chain sprocket 3/8" | | |
| | 1110 007 1017 | 1 | Set chain sprocket 0.404" (B) | 21, 22 | |
| 21 | 1110 640 2017 | 1 | Chain sprocket 0.404" | | |
| 22 | 0000 961 1001 | 1 | Ring | | 5664890 |
| 23 | 1110 162 8900 | 1 | Washer | | |
| | 1113 160 2010 | 1 | Clutch | 24 - 26 | |
| 24 | 1113 162 3205 | 1 | Carrier | | |
| 25 | 1113 162 0802 | 3 | Clutch shoe | | |
| 26 | 0000 997 5811 | 3 | Tension spring | | |
| 27 | 1120 664 1500 | 1 | Tensioning nut | | |
| 28 | 1110 664 1600 | 1 | Adjusting screw | | |
| 29 | 1110 021 9000 | 1 | Clamp | | |
| 30 | 1113 664 1001 | 1 | Inner side plate | | |
| 31 | 1110 664 2400 | 2 | Collar screw | | |
| 32 | 1110 656 1502 | 1 | Guard plate | | |
| 33 | 9044 319 0660 | 1 | Pan head screw M4x12 | | |
| | 1110 007 1040 | 1 | Rim sprocket kit 3/8" 7T (B) | 22, 34 - 37 | |
| 34 | | 1 | Clutch drum (D) | | |

(1) 041 AVEQ, (2) 041 AVFBQ, (3) 041 AVQ, (4) 041 AVSEQ

Oil pump, Clutch, Chain sprocket cover

| Reference | Item number | Qty | Description | Contains | Up to |
|-----------|-----------------|-----|------------------------|----------|----------|
| 35 | 0000 642 1220 | 1 | Rim sprocket 3/8" 7T | | |
| 36 | 1110 030 7503 | 1 | Cover washer | 37 | |
| 37 | 9371 651 1350 | 1 | Cylindrical pin 2.5x10 | | |
| 50 | * 1110 648 0406 | 1 | Chain sprocket cover | | |
| 51 | * 9441 065 1910 | 2 | Round head rivet 3x8 | | |
| | * 1110 664 1500 | 1 | Tensioning nut (A) | | 11450921 |

online version, not for reproduction



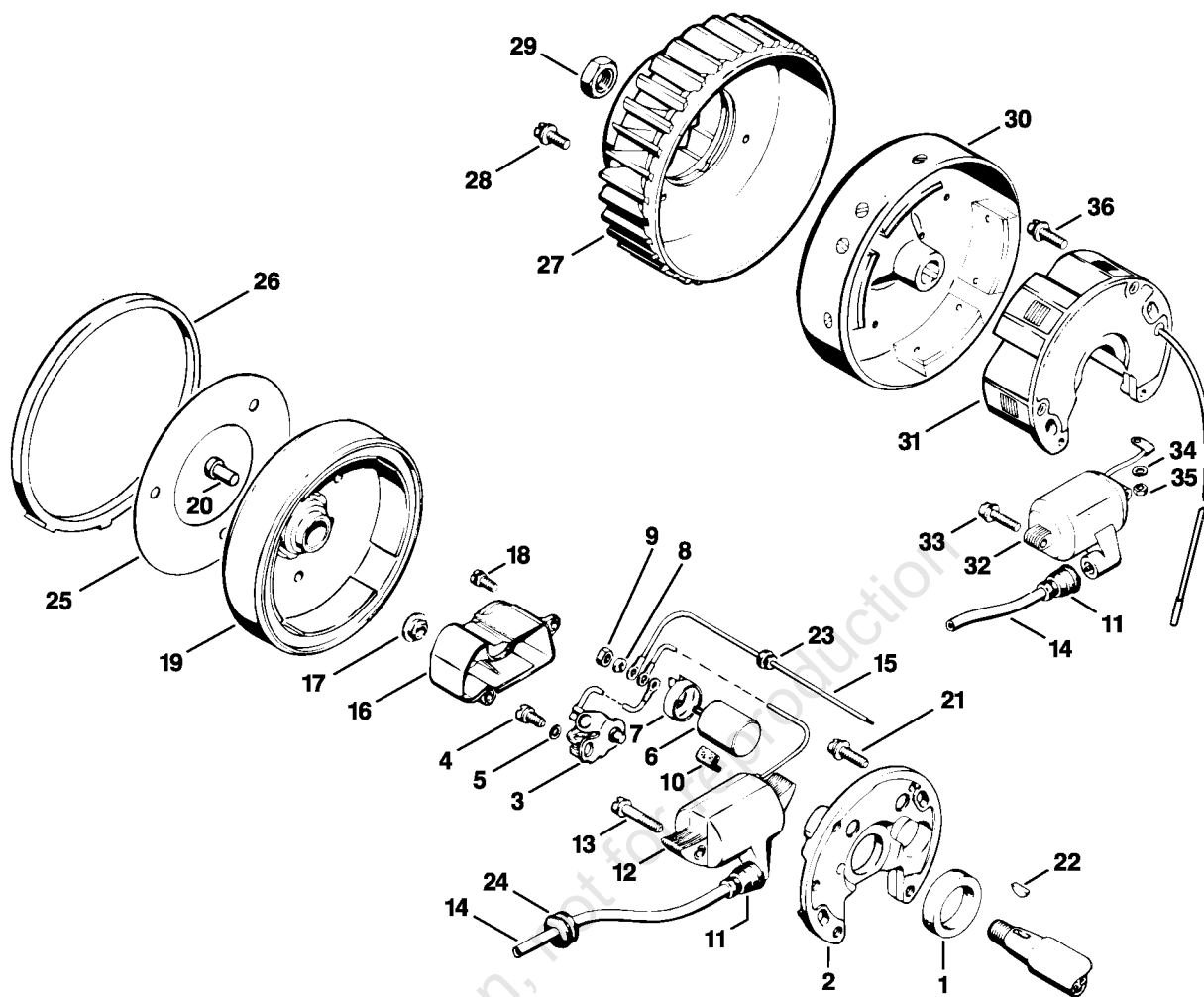
online version, not for reproduction

110ET007 LÄ

(1) 041 AVEQ, (2) 041 AVFBQ, (3) 041 AVQ, (4) 041 AVSEQ

Chain brake

| Reference | Item number | Qty | Description | Contains |
|-----------|---------------|-----|--------------------------|----------|
| | 1110 640 1706 | 1 | Chain sprocket cover | 1 - 18 |
| 1 | 1110 640 1705 | 1 | Chain sprocket cover | 2 |
| 2 | 0000 971 0608 | 1 | Pin | |
| 3 | 1110 160 5001 | 1 | Lever | |
| 4 | 1115 162 5005 | 1 | Lever | |
| 5 | 0000 958 0702 | 1 | Washer | |
| 6 | 9460 624 0500 | 2 | E-clip 5 | |
| 7 | 1113 160 5100 | 1 | Cam | |
| 8 | 1113 160 5400 | 1 | Brake band | |
| 9 | 1118 162 5220 | 1 | Pin | |
| 10 | 1115 162 7900 | 1 | Tension spring | |
| 11 | 1115 162 5220 | 1 | Pin | |
| 12 | 1110 648 7700 | 1 | Cover | |
| 13 | 9048 319 0660 | 4 | Pan head screw M4x12 | |
| 14 | 1113 664 1100 | 1 | Outer side plate | |
| 15 | 9048 319 0650 | 1 | Pan head screw M4x10 | |
| 16 | 1110 664 0501 | 1 | Bumper spike | |
| 17 | 9008 345 0960 | 2 | Hexagon head screw M5x12 | |
| 18 | 9214 320 0700 | 2 | Lock nut M5 | |
| 19 | 0000 955 0801 | 2 | Hexagon nut M8 | |



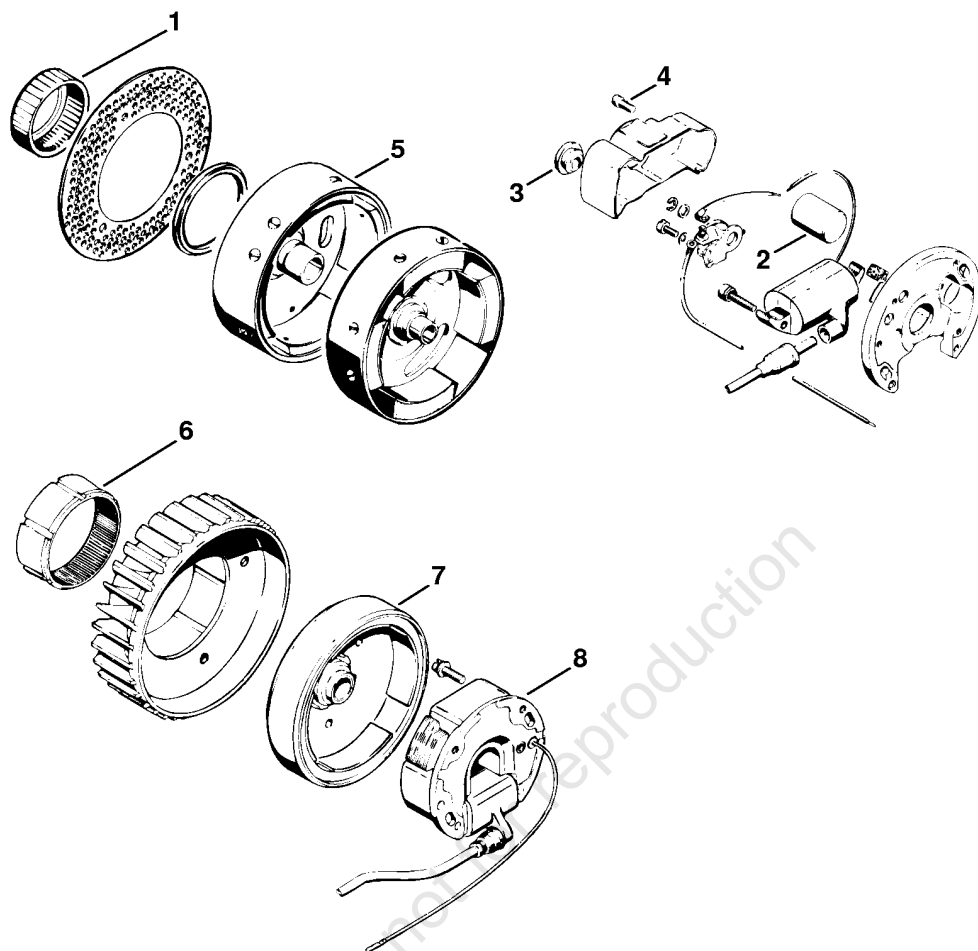
110ET008 LÄ

(1) 041 AVEQ, (2) 041 AVFBQ, (3) 041 AVQ, (4) 041 AVSEQ

Ignition system

| Reference | Item number | Qty | Description | Contains |
|-----------|---------------|-----|--------------------------|-----------------|
| 1 | 0000 992 5740 | 1 | Sealing ring (2,3) | |
| | 1110 400 0511 | 1 | Magneto (2,3) | 2 - 19 |
| 2 | 1110 400 0812 | 1 | Stator plate | 3 - 18 |
| 3 | 1115 400 2000 | 1 | Set of points | |
| 4 | 9041 216 0630 | 1 | Pan head screw M4x8 | |
| 5 | 9322 630 0100 | 1 | Spring washer 4 | |
| 6 | 1115 404 3400 | 1 | Capacitor | |
| 7 | 1115 404 8800 | 1 | Cap | |
| 8 | 9321 630 0080 | 1 | Spring washer 3 | |
| 9 | 9210 260 0400 | 1 | Hexagon nut M3 | |
| 10 | 1110 404 4200 | 1 | Felt wick | |
| 11 | 0000 989 1010 | 1 | Grommet | |
| 12 | 1115 404 3200 | 1 | Ignition coil | |
| 13 | 9110 313 0700 | 2 | Flat head screw M4x19 | |
| 14 | | 1 | Ignition lead 295 mm (D) | |
| 15 | 1110 440 1102 | 1 | Short circuit wire | |
| 16 | 1115 400 8200 | 1 | Dust cap | 17 |
| 17 | 1110 145 9001 | 1 | Plug | |
| 18 | 9047 319 0340 | 2 | Pan head screw M3x8 | |
| 19 | 1110 400 1205 | 1 | Flywheel | |
| 20 | 0000 988 6008 | 3 | Plug | |
| 21 | 9021 319 0670 | 2 | Pan head screw M4x14-Z1 | |
| 22 | 9482 435 0030 | 1 | Woodruff key 2x3.7 | |
| 23 | 0000 989 0804 | 1 | Grommet | |
| 24 | 0000 989 0801 | 2 | Grommet | |
| 25 | 1110 089 0500 | 1 | Gasket | |
| 26 | 1110 086 8902 | 1 | Sealing ring | |
| 27 | 1110 086 0505 | 1 | Fanwheel | |
| 28 | 9044 319 0680 | 3 | Pan head screw M4x16 | |
| 29 | 9210 261 1140 | 1 | Hexagon nut M8x1 | |
| | 1110 400 0507 | 1 | Magneto SEM | 11, 14, 30 - 36 |
| 30 | 1110 400 1207 | 1 | Flywheel | |
| 31 | 1110 400 0808 | 1 | Stator plate | 11, 14, 32 - 36 |
| 32 | 1110 404 3210 | 1 | Ignition coil | |
| 33 | 9048 319 0680 | 2 | Pan head screw M4x16 | |
| 34 | 9291 021 0080 | 1 | Washer 3.2 | |
| 35 | 9210 260 0400 | 1 | Hexagon nut M3 | |
| 36 | 9044 319 0740 | 2 | Pan head screw M4x25 | |

(1) 041 AVEQ, (2) 041 AVFBQ, (3) 041 AVQ, (4) 041 AVSEQ



(1) 041 AVEQ, (2) 041 AVFBQ, (3) 041 AVQ, (4) 041 AVSEQ

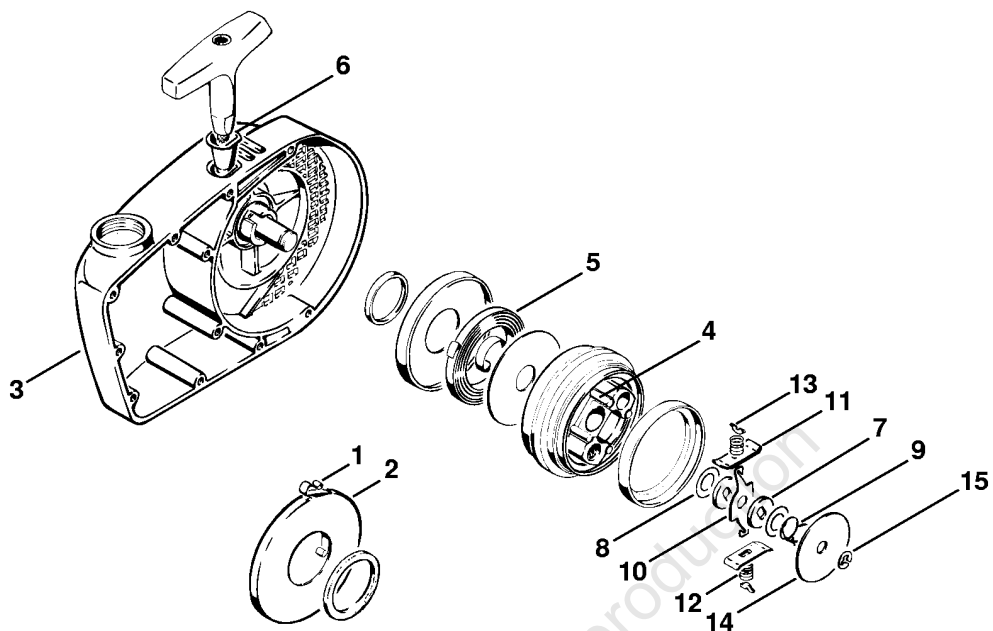
Ignition system (27.79)

| Reference | Item number | Qty | Description | Contains | Up to |
|-----------|-----------------|-----|----------------------|----------|---------|
| 1 | * 0000 961 5115 | 1 | Ring | | |
| 2 | * 1106 404 3401 | 1 | Capacitor | | |
| 3 | * 1110 145 9001 | 1 | Plug | | |
| 4 | * 9048 319 0650 | 1 | Pan head screw M4x10 | | |
| 5 | * 1110 400 1201 | 1 | Flywheel | | |
| 6 | * 0000 961 5116 | 1 | Ring | | 5816401 |
| | * 1110 400 0506 | 1 | Magneto (1) | 7, 8 | 5816401 |
| 7 | * 1110 400 1206 | 1 | Flywheel | | 5816401 |
| 8 | * | 1 | Stator plate (D) | | 5816401 |

online version, not for reproduction

Rewind starter

| Reference | Item number | Qty | Description | Contains |
|-----------|---------------|-----|---------------------------------|----------|
| | 1110 080 2815 | 1 | Fan cover with rewind starter | 1 - 12 |
| 1 | 1110 080 2805 | 1 | Fan cover | 2 - 4 |
| 2 | 1110 084 9102 | 1 | Bushing | |
| 3 | 0000 967 2020 | 1 | Nameplate STIHL | |
| 4 | 9441 065 1270 | 2 | Round head rivet 2.6x6 | |
| 5 | 1106 195 9015 | 1 | Washer | |
| 6 | 1117 190 0601 | 1 | Rewind spring | |
| 7 | 1117 007 1014 | 1 | Rope rotor kit | 9 |
| 8 | 1107 195 8200 | 1 | Starter rope Ø 4.5x1000 mm | |
| 9 | 1124 195 7200 | 1 | Pawl | |
| 10 | 1118 162 8935 | 1 | Washer | |
| 11 | 1117 195 3500 | 1 | Spring | |
| 12 | 1121 195 3400 | 1 | Starter grip | |
| 13 | 1110 359 0701 | 1 | Gasket | |
| 14 | 1110 084 1000 | 1 | Fan housing | |
| 15 | 9062 319 0660 | 2 | Countersunk screw M4x12 | |
| 16 | 9048 319 0660 | 9 | Pan head screw M4x12 | |
| 17 | 1115 350 3503 | 1 | Pickup body (C) | 18 - 20 |
| 18 | 1110 358 1800 | 1 | Filter | |
| 19 | 1115 358 8200 | 1 | Weight (C) | |
| 20 | 1115 358 2500 | 1 | Cap (C) | |
| 22 | 1113 358 7700 | 1 | Hose | |
| 23 | 1110 350 1200 | 1 | Elbow connector | |
| 24 | 9048 216 1010 | 4 | Pan head screw M5x18 | |
| 25 | | 1 | Hose 3.1x5.7x135 mm, R3 (D) | |
| | 0000 930 2803 | 1 | Hose 3.1x5.7 mm x 1 m, R3 (A,B) | |
| 26 | 1110 350 0501 | 1 | Filler cap | 27 - 31 |
| 27 | 9645 945 2820 | 1 | O-ring 25x2.5 | |
| 28 | 1110 353 8102 | 1 | Insert | |
| 29 | 0000 951 5800 | 1 | Grub screw | |
| 30 | 1117 350 0905 | 1 | Filler cap retainer | |
| 31 | 9099 021 2360 | 1 | Self-tapping screw 3.5x9.5 | |



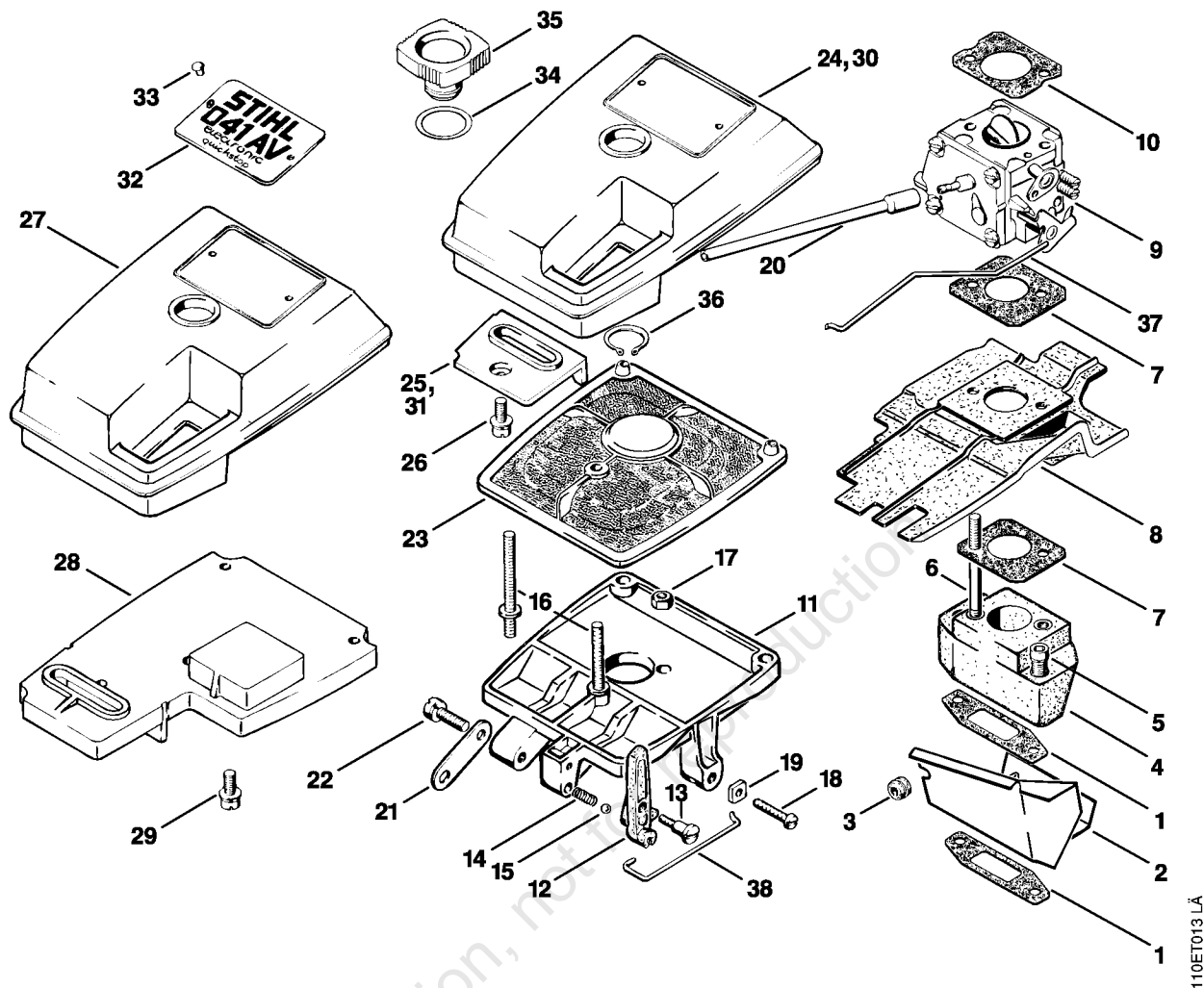
online version, not for reproduction

110ET024 GM

Rewind starter (11.68)

| Reference | Item number | Qty | Description | Up to |
|-----------|-----------------|-----|----------------------------|---------|
| 1 | * 1110 190 0600 | 1 | Rewind spring | 2663618 |
| 2 | * 1110 195 0300 | 1 | Spring housing | 2663618 |
| 3 | * 1110 080 2800 | 1 | Fan cover | |
| 4 | * 1106 195 9800 | 4 | Notched pin | |
| 5 | * 1111 195 1600 | 1 | Rewind spring | |
| 6 | * 1107 195 8200 | 1 | Starter rope Ø 4.5x1000 mm | |
| 7 | * 1106 195 9001 | 2 | Washer | |
| 8 | * 0000 958 1010 | 2 | Washer | |
| | * 1106 190 4600 | 1 | Friction shoe | |
| 9 | * 1106 195 2900 | 1 | Brake spring | |
| 10 | * 1106 195 3000 | 1 | Brake lever | |
| 11 | * 1106 195 5000 | 2 | Friction shoe plate | |
| 12 | * 1106 195 5100 | 2 | Friction shoe spring | |
| 13 | * 1106 195 1700 | 2 | Spring retainer plate | |
| 14 | * 1106 195 3200 | 1 | Thrust washer | |
| 15 | * 9460 624 0500 | 1 | E-clip 5 | |

online version, not for reproduction



110ET013 LÄ

(1) 041 AVEQ, (2) 041 AVFBQ, (3) 041 AVQ, (4) 041 AVSEQ

Filter housing, Air filter

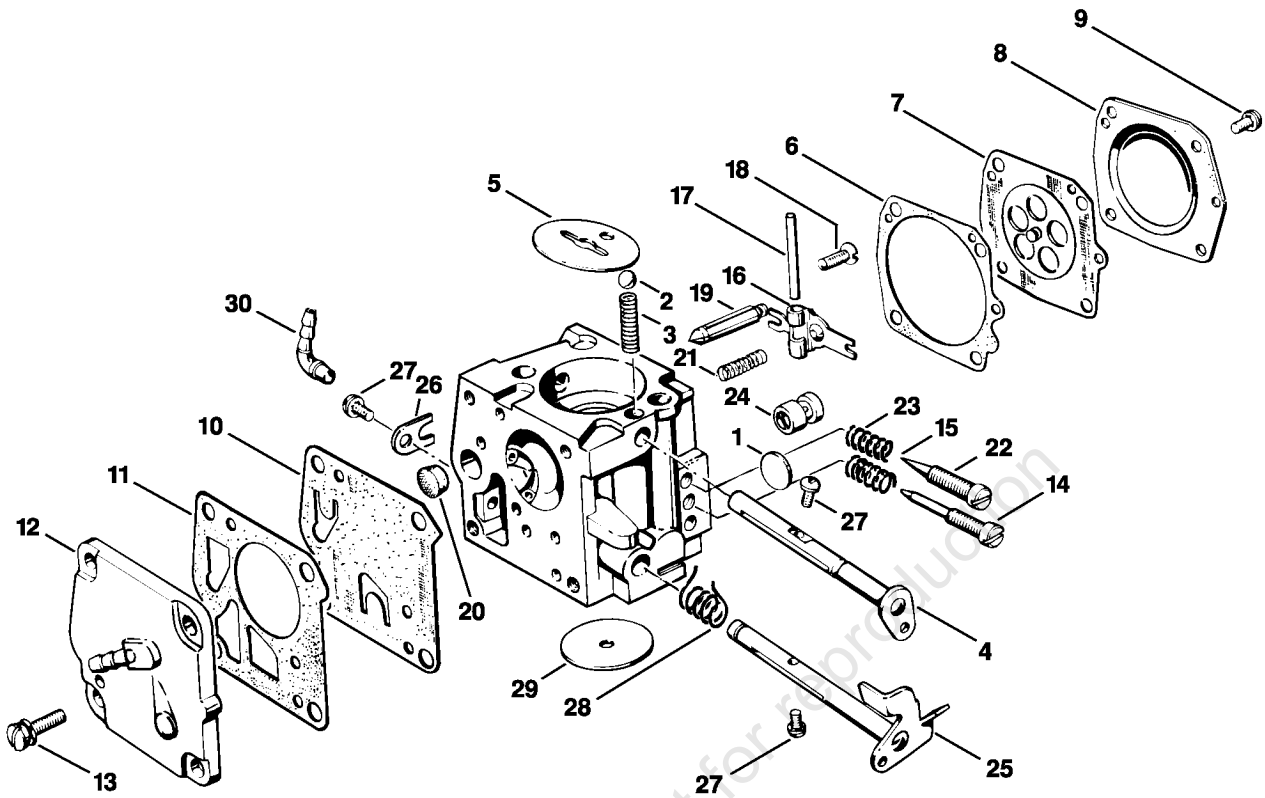
| Reference | Item number | Qty | Description | Contains |
|-----------|---------------|-----|---------------------------------|----------|
| 1 | 1110 129 1401 | 2 | Gasket (1,2,3) | |
| 1 | 1110 129 1402 | 2 | Gasket (4) | |
| 2 | 1110 146 7401 | 1 | Deflecting plate (1,2,3) | |
| 2 | 1110 146 7402 | 1 | Deflecting plate (4) | |
| 3 | 0000 989 0802 | 1 | Grommet | |
| 4 | 1110 120 2201 | 1 | Flange (1,2,3) | |
| 4 | 1110 120 2202 | 1 | Flange (4) | |
| 5 | 9036 341 1070 | 2 | Socket head screw M5x30 | |
| 6 | 9123 319 0890 | 2 | Stud M5x58 | |
| 7 | 1111 129 1100 | 2 | Gasket | |
| 8 | 1110 141 3000 | 1 | Insulating plate | |
| 9 | 1110 120 0609 | 1 | Carburetor HS-138B (1,2,3) | |
| 9 | 1110 120 0611 | 1 | Carburetor HS-208B (4) | |
| 10 | 1110 149 1200 | 1 | Gasket | |
| 11 | 1110 140 2815 | 1 | Filter housing | 12 - 15 |
| 12 | 1111 185 2000 | 1 | Choke lever | |
| 13 | 0000 951 2600 | 1 | Oval head screw M4x10 | |
| 14 | 0000 997 0326 | 1 | Compression spring | |
| 15 | 9516 003 1720 | 1 | Ball Ø 4 mm | |
| 16 | 1110 148 1000 | 1 | Stud M5x35 (2,4) | |
| 16 | 1110 148 1001 | 1 | Stud M5x45 (1,3) | |
| 17 | 9216 261 0700 | 2 | Hexagon nut M5 | |
| 18 | 1110 122 6201 | 1 | Idle speed screw | |
| 19 | 1115 121 7700 | 1 | Guide piece | |
| 20 | | 1 | Hose 3.1x5.7x120 mm, R3 (D) | |
| | 0000 930 2803 | 1 | Hose 3.1x5.7 mm x 1 m, R3 (A,B) | |
| 21 | 1110 148 4000 | 1 | Strap | |
| 22 | 9048 216 1010 | 1 | Pan head screw M5x18 | |
| 23 | 1110 120 1601 | 1 | Air filter, flocked | |
| 24 | 1110 140 1002 | 1 | Filter cover (2) | 25, 26 |
| 25 | 1110 141 1101 | 1 | Insert (2) | |
| 26 | 9044 319 0660 | 1 | Pan head screw M4x12 (2,4) | |
| 27 | 1110 140 1004 | 1 | Filter cover (1,3) | 28, 29 |
| 28 | 1110 141 1104 | 1 | Insert (1,3) | |
| 29 | 9044 319 0660 | 3 | Pan head screw M4x12 (1,3) | |
| 30 | 1110 140 1003 | 1 | Filter cover (4) | 26, 31 |
| 31 | 1110 141 1103 | 1 | Insert (4) | |
| 32 | 0000 967 1551 | 1 | Model plate 041 AVEQ | |

(1) 041 AVEQ, (2) 041 AVFBQ, (3) 041 AVQ, (4) 041 AVSEQ

Filter housing, Air filter

| Reference | Item number | Qty | Description | Contains |
|-----------|---------------|-----|-----------------------|----------|
| 32 | 0000 967 1571 | 1 | Model plate 041 AVSEQ | |
| 32 | 0000 967 1586 | 1 | Model plate 041 AVQ | |
| 32 | 1110 967 1500 | 1 | Model plate 041 AVFBQ | |
| 33 | 0000 974 1000 | 2 | Round head rivet 3x6 | |
| 34 | 0000 958 1705 | 1 | Washer | |
| 35 | 1110 140 9500 | 1 | Slotted nut | |
| 36 | 9455 621 1670 | 1 | Circlip 16x1 | |
| 37 | 1110 182 1506 | 1 | Throttle rod | |
| 38 | 1110 185 1904 | 1 | Choke rod | |

online version, not for reproduction



110ET015 LÄ

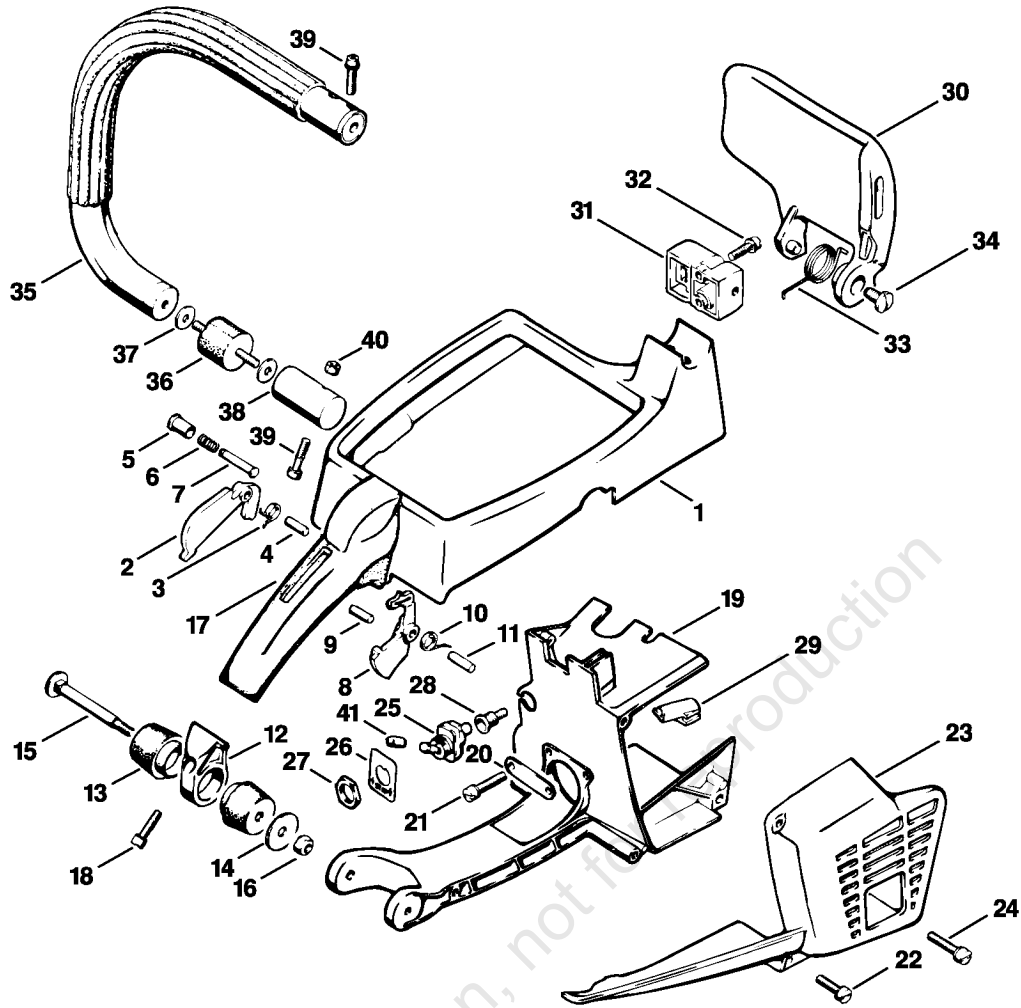
(1) 041 AVEQ, (2) 041 AVFBQ, (3) 041 AVQ, (4) 041 AVSEQ

Carburetor

| Reference | Item number | Qty | Description | Contains |
|-----------|---------------|-----|----------------------------|----------|
| | 1110 120 0609 | 1 | Carburetor HS-138B (1,2,3) | 1 - 30 |
| | 1110 120 0611 | 1 | Carburetor HS-208B (4) | 1 - 31 |
| 1 | 1110 122 9410 | 1 | Plug | |
| 2 | 1110 122 4200 | 1 | Ball | |
| 3 | 1110 122 3000 | 1 | Spring | |
| 4 | 1110 120 7200 | 1 | Choke shaft with lever | |
| 5 | 1115 121 2900 | 1 | Choke shutter | |
| 6 | 1110 129 0900 | 1 | Gasket | |
| 7 | 1110 121 4700 | 1 | Metering diaphragm | |
| 8 | 1110 121 0811 | 1 | End cover | |
| 9 | 1106 122 7400 | 4 | Round head screw | |
| 10 | 1110 121 4800 | 1 | Pump diaphragm | |
| 11 | 1110 129 1110 | 1 | Gasket | |
| 12 | 1110 121 0815 | 1 | End cover | |
| 13 | 1110 122 7700 | 4 | Oval head screw | |
| 14 | 1110 122 6800 | 1 | Low speed screw | |
| 15 | 1110 122 3030 | 1 | Spring | |
| 16 | 1124 121 5000 | 1 | Inlet control lever | |
| 17 | 1110 121 9200 | 1 | Spindle | |
| 18 | 1110 122 7800 | 1 | Oval head screw | |
| 19 | 1110 121 5100 | 1 | Inlet needle | |
| 20 | 4221 121 7800 | 1 | Strainer | |
| 21 | 1110 122 3020 | 1 | Spring | |
| 22 | 1111 122 6700 | 1 | High speed screw | |
| 23 | 1106 122 3000 | 1 | Spring | |
| 24 | 1111 121 5400 | 1 | Valve jet | |
| 25 | 1111 120 7100 | 1 | Throttle shaft with lever | |
| 26 | 1110 122 9300 | 1 | Clip | |
| 27 | 1110 122 7400 | 3 | Round head screw | |
| 28 | 1110 122 3200 | 1 | Torsion spring | |
| 29 | 1115 121 3300 | 1 | Throttle shutter | |
| 30 | 1110 122 3900 | 1 | Elbow connector | |
| | 1110 120 8701 | 1 | Control valve (A) (4) | |

(1) 041 AVEQ, (2) 041 AVFBQ, (3) 041 AVQ, (4) 041 AVSEQ

Handle frame, Shroud



110ET022 LÄ

(1) 041 AVEQ, (2) 041 AVFBQ, (3) 041 AVQ, (4) 041 AVSEQ

Handle frame, Shroud

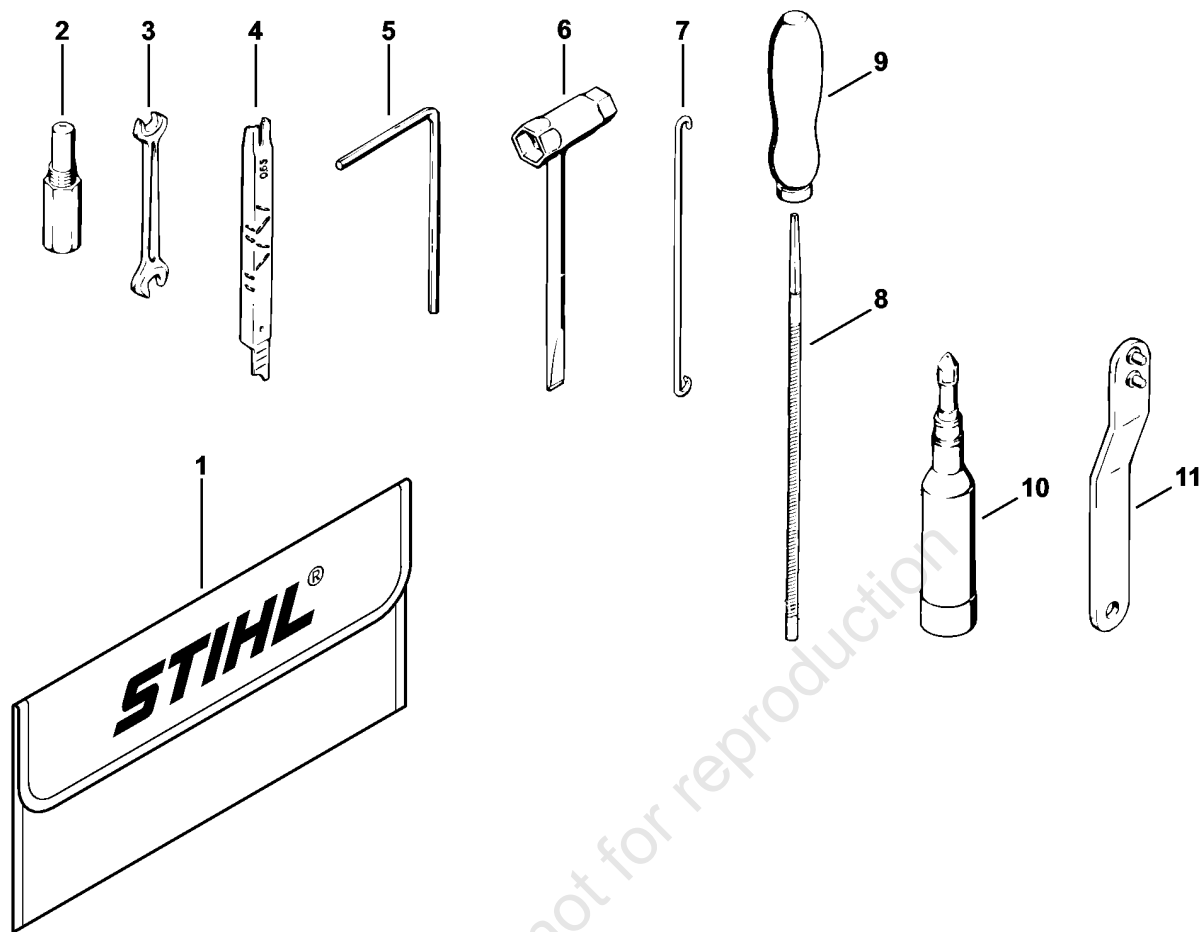
| Reference | Item number | Qty | Description | Contains |
|-----------|---------------|-----|--------------------------------------|----------|
| 1 | 1110 791 4904 | 1 | Handle frame | |
| 2 | 1110 182 0800 | 1 | Lockout lever | |
| 3 | 0000 998 1001 | 1 | Torsion spring | |
| 4 | 9373 470 2120 | 1 | Cylindrical pin 4x18 | |
| 5 | 1111 182 9300 | 1 | Starting throttle lock | |
| 6 | 0000 997 0603 | 1 | Compression spring | |
| 7 | 1114 182 8900 | 1 | Pin | |
| 8 | 1110 182 1002 | 1 | Throttle trigger | |
| 9 | 9373 470 2130 | 1 | Cylindrical pin 4x20 | |
| 10 | 0000 998 1105 | 1 | Torsion spring | |
| 11 | 9373 542 2610 | 1 | Cylindrical pin 5x18 | |
| 12 | 1110 791 7610 | 1 | Support | |
| 13 | 1110 790 9900 | 2 | Annular buffer | |
| 14 | 0000 958 0502 | 1 | Washer | |
| 15 | 0000 951 8210 | 1 | Flat head screw M6 | |
| 16 | 9214 320 0700 | 1 | Lock nut M5 | |
| 17 | 1110 791 2204 | 1 | Rubber grip | |
| 18 | 9048 216 1010 | 3 | Pan head screw M5x18 | |
| 19 | 1110 080 1610 | 1 | Shroud | |
| 20 | 1110 148 3000 | 1 | Shim | |
| 21 | 9045 319 1020 | 1 | Socket head screw M5x20 | |
| 22 | 9048 216 1010 | 3 | Pan head screw M5x18 | |
| 23 | 1110 146 6005 | 1 | Guard | |
| 24 | 9048 216 1050 | 1 | Pan head screw M5x25 | |
| 25 | 1110 430 0202 | 1 | Stop switch | 41 |
| 26 | 0000 967 3506 | 1 | Label | |
| 27 | 9211 260 1430 | 1 | Hexagon nut M12x0.75 | |
| 28 | 1110 432 9200 | 1 | Grommet | |
| 29 | 0000 989 0502 | 1 | Clamp | |
| 30 | 1114 792 9104 | 1 | Hand guard | |
| 31 | 1110 791 3900 | 1 | Support | |
| 32 | 9048 216 1010 | 2 | Pan head screw M5x18 | |
| 33 | 1113 791 8200 | 1 | Torsion spring | |
| 34 | 0000 951 2904 | 1 | Oval head screw M6x3.2x12 | |
| 35 | 1110 790 1716 | 1 | Handlebar with hose 290 mm /11 7/16" | |
| | 0000 791 2002 | 1 | Handle hose Ø 21 mm x 1 m / 7/8x40" | |
| 36 | 1110 790 9600 | 1 | Annular buffer | |
| 37 | 9486 648 0620 | 3 | Cup spring 18x6.2x0.60 | |

(1) 041 AVEQ, (2) 041 AVFBQ, (3) 041 AVQ, (4) 041 AVSEQ

Handle frame, Shroud

| Reference | Item number | Qty | Description | Contains |
|-----------|---------------|-----|-------------------------|----------|
| 38 | 1110 791 5410 | 1 | Support | |
| 39 | 9036 341 1020 | 3 | Socket head screw M5x20 | |
| 40 | 9214 320 0700 | 1 | Lock nut M5 | |
| 41 | 1110 432 9002 | 1 | Protective cap | |

online version, not for reproduction



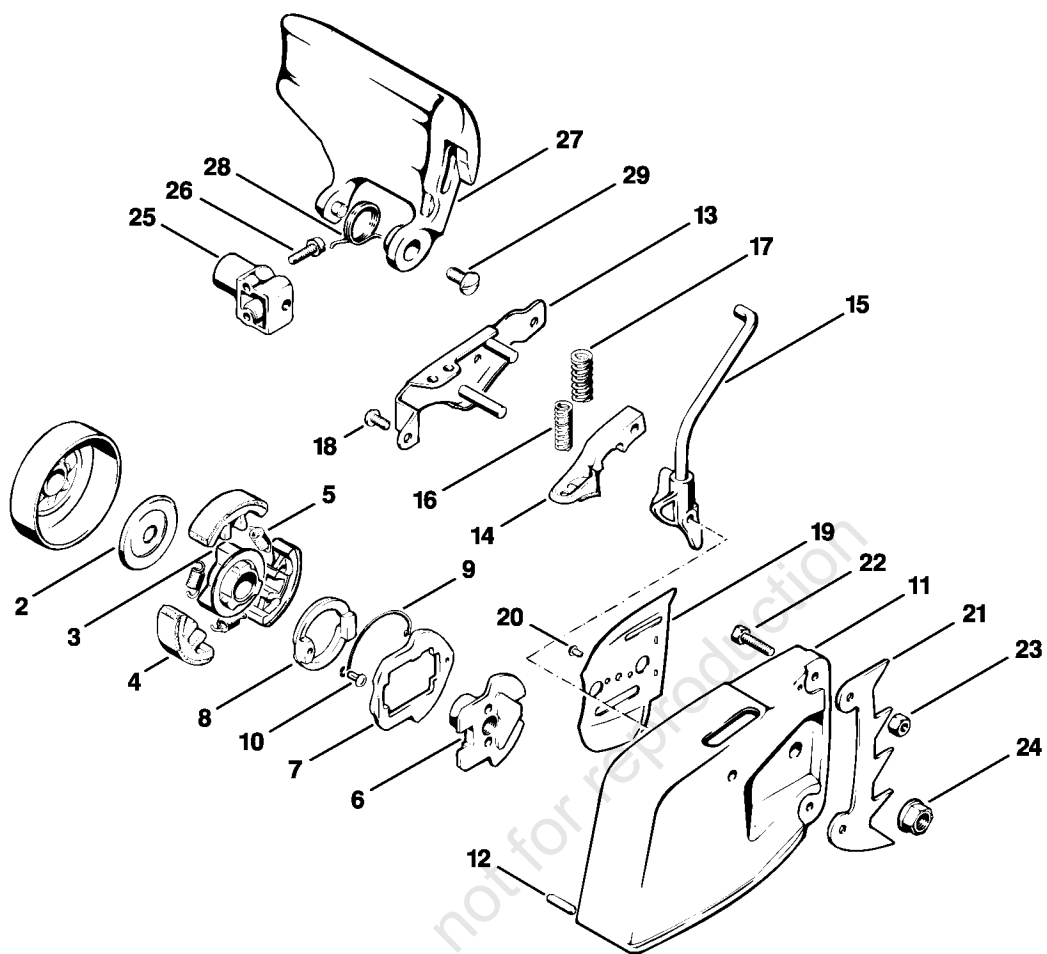
online version, not for reproduction

110ET025 SC

(1) 041 AVEQ, (2) 041 AVFBQ, (3) 041 AVQ, (4) 041 AVSEQ

Tools, Extras

| Reference | Item number | Qty | Description | Contains |
|-----------|---------------|-----|---------------------------------------|----------|
| | 1110 890 1410 | 1 | Tool kit | 1 - 7 |
| 1 | 0000 891 0800 | 1 | Tool roll | |
| 2 | 1107 191 1201 | 1 | Locking screw | |
| 3 | 0811 012 1152 | 1 | Wrench 8x10 | |
| 4 | 1110 893 4000 | 1 | Filing gauge | |
| 5 | 0811 270 1080 | 1 | Allen key 4x70x130 | |
| 6 | 1119 890 3405 | 1 | Combination wrench | |
| 7 | 1110 893 8800 | 1 | Hook | |
| 8 | 0811 411 8108 | 1 | Round file Ø 5.5x200 mm (B) | |
| 9 | 0811 490 7860 | 1 | File handle A100 (B) | |
| 10 | 1108 890 2500 | 1 | Grease gun (B) | |
| 11 | 1113 890 3600 | 1 | Wrench (B) | |
| | 1110 007 1050 | 1 | Set of gaskets (A, B) | |
| | 1110 007 1060 | 1 | Set of carburetor parts (A, B) | |
| | 0000 930 2207 | 1 | Hose 3.1x5.7 mm x 3 m, R5 (A, B) | |
| | 0000 930 2202 | 1 | Ignition lead 10 m (A, B) | |
| | 0000 930 2200 | 1 | Starter rope Ø 4.5 mm x 30.5 m (A, B) | |
| | 0000 930 2213 | 1 | Starter rope Ø 4.5 mm x 60.8 m (A, B) | |



online version, not for reproduction

110ET021 LÄ

(1) 041 AVEQ, (2) 041 AVFBQ, (3) 041 AVQ, (4) 041 AVSEQ

Chain brake with isolating clutch

| Reference | Item number | Qty | Description | Contains |
|-----------|---------------|-----|---------------------------|----------|
| 2 | 1110 162 8900 | 1 | Washer | |
| | 1113 160 2000 | 1 | Clutch | 3 - 5 |
| 3 | 1113 160 2300 | 1 | Carrier | |
| 4 | 1110 160 1500 | 3 | Clutch shoe | |
| 5 | 0000 997 5811 | 3 | Tension spring | |
| | 1113 160 3400 | 1 | Drive disc | 6 - 10 |
| 6 | 1113 162 3601 | 1 | Drive disc | |
| 7 | 1113 162 3901 | 1 | Slide control | |
| 8 | 1113 160 4000 | 1 | Locking slide | 9, 10 |
| 9 | 1113 162 7801 | 1 | Spring | |
| 10 | 1113 162 1200 | 1 | Rivet | |
| | 1110 640 1701 | 1 | Chain sprocket cover | 11 - 23 |
| 11 | 1110 640 1700 | 1 | Chain sprocket cover | 12 |
| 12 | 0000 971 0608 | 1 | Pin | |
| 13 | 1113 640 4901 | 1 | Cover plate | |
| 14 | 1113 640 2801 | 1 | Brake shoe | |
| 15 | 1110 640 2301 | 1 | Cam | |
| 16 | 0000 997 1100 | 1 | Helical spring | |
| 17 | 0000 997 0900 | 1 | Helical spring | |
| 18 | 9079 319 0950 | 2 | Flat head screw M5x10 | |
| 19 | 1113 664 1100 | 1 | Outer side plate | |
| 20 | 9441 065 1910 | 2 | Round head rivet 3x8 | |
| 21 | 1110 664 0501 | 1 | Bumper spike | |
| 22 | 9008 345 0960 | 2 | Hexagon head screw M5x12 | |
| 23 | 9214 320 0700 | 2 | Lock nut M5 | |
| 24 | 9220 260 1100 | 2 | Hexagon nut M8 | |
| 25 | 1110 791 3900 | 1 | Support | |
| 26 | 9048 216 1010 | 2 | Pan head screw M5x18 | |
| 27 | 1114 792 9101 | 1 | Hand guard | |
| 28 | 1113 791 8200 | 1 | Torsion spring | |
| 29 | 0000 951 2904 | 1 | Oval head screw M6x3.2x12 | |