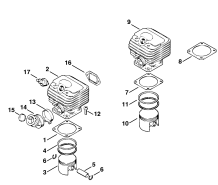
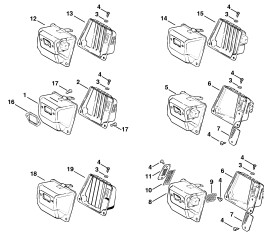


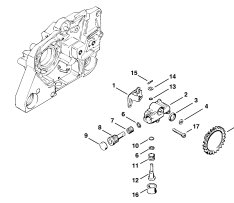
Crankcase



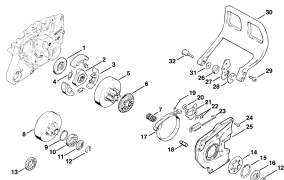
Cylinder



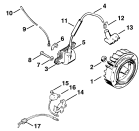
Muffler



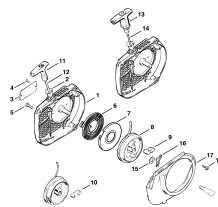
Oil pump



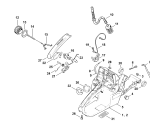
Clutch



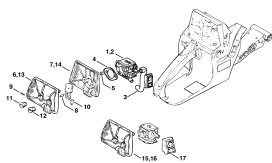
Ignition system



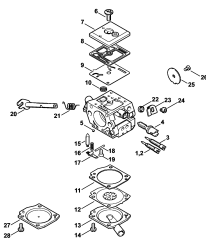
Rewind starter



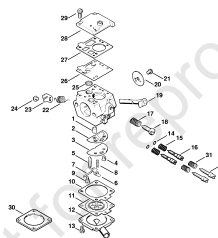
Tank housing



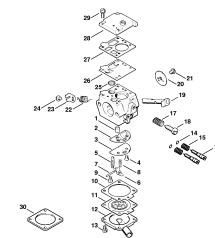
Air filter



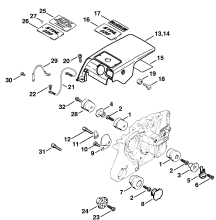
Carburetor C3-S148,
C3-S149



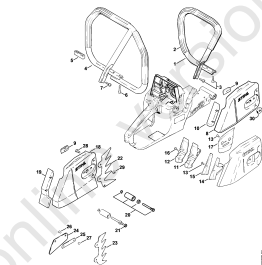
Carburetor Bing 48A101
(50.2008)



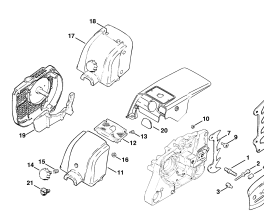
Carburetor Bing 48A125
(50.2008)



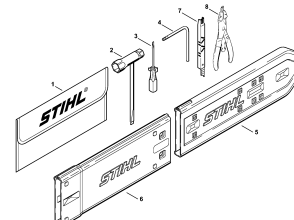
Shroud



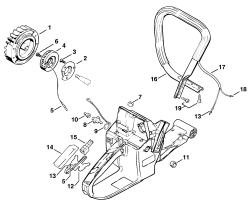
Handlebar, Chain sprocket
cover



Chain tensioner,
Carburetor box cover



Tools, Extras



Heating

Description

Crankcase

Cylinder

Muffler

Oil pump

Clutch

Ignition system

Rewind starter

Tank housing

Air filter

Carburetor C3-S148, C3-S149

Carburetor Bing 48A101 (50.2008)

Carburetor Bing 48A125 (50.2008)

Shroud

Handlebar, Chain sprocket cover

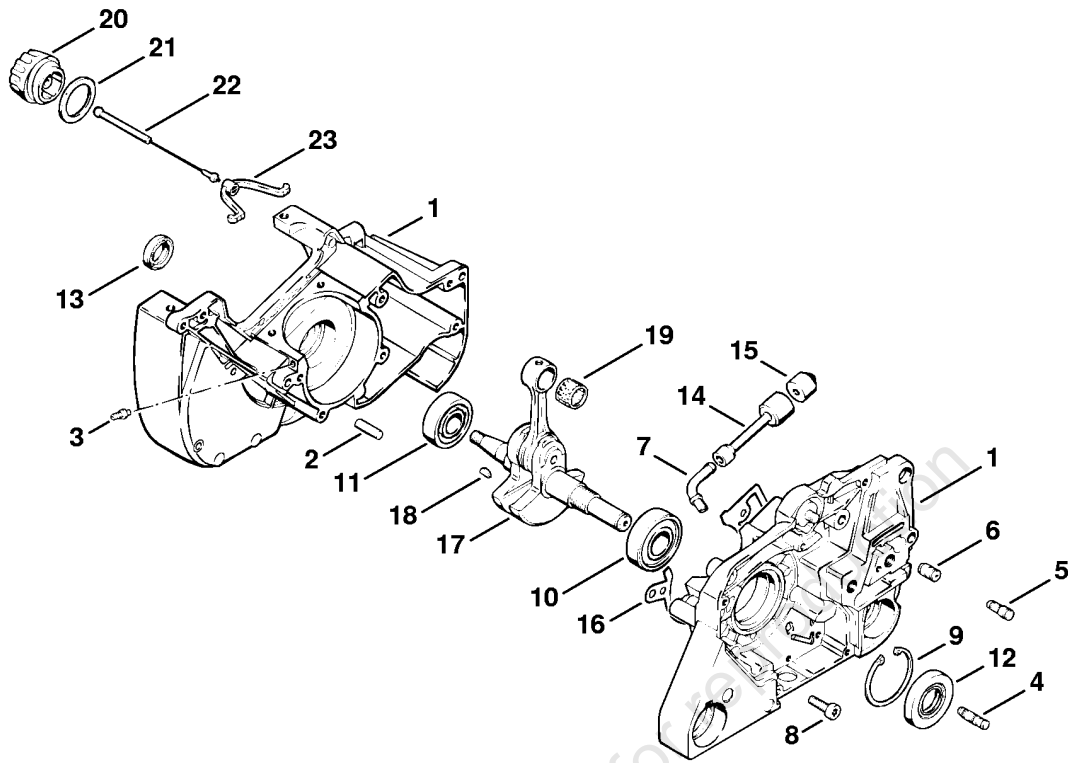
Chain tensioner, Carburetor box cover

Tools, Extras

Heating

online version, not for reproduction

Crankcase

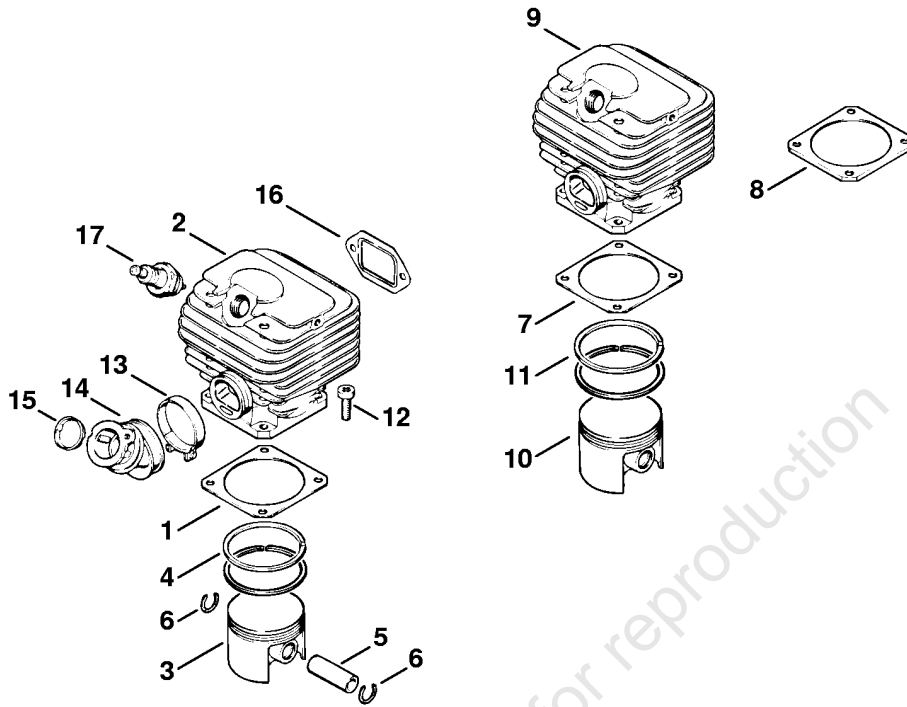


121ET047 SC

(1) 038, (2) 038 FB, (3) 038 M, (4) 038 MR, (5) 038 MR II, (6) 038 MW, (7) 038 S, (8) 038 SW, (9) 038 W

Crankcase

Reference	Item number	Qty	Description	Contains	Technical Information
1	1119 020 2118	1	Crankcase (1,2,7)	2 - 11	
1	1119 020 2109	1	Crankcase (3,4,5)	2 - 11	
1	1119 020 2119	1	Crankcase (8,9)	2 - 11	
2	9371 470 2610	2	Cylindrical pin 5x18		
3	0000 988 5211	1	Connector		
4	1118 162 5200	1	Pin		
5	1117 162 5225	2	Pin		
6	1128 640 9100	1	Valve		
7	1118 028 7400	1	Connector		
8	9022 341 1010	6	Spline screw IS-M5x18		
9	9456 621 4330	1	Circlip 40x1.75		
10	9503 003 0440	1	Grooved ball bearing 6203		
11	9503 003 0340	1	Grooved ball bearing 6202		
12	9640 003 1880	1	Oil seal 17x39.9x5		
13	9640 003 1340	1	Oil seal 13x22x5		
14	1106 647 9404	1	Hose		
15	1106 640 3801	1	Pickup body		
16	1119 029 0500	1	Gasket		
17	1119 030 0400	1	Crankshaft	18	25.2005
18	1120 036 8500	1	Woodruff key 2x3.7		
19	9512 003 3140	1	Needle cage 12x16x13		
20	0000 350 0510	1	Filler cap	21 - 23	
21	0000 359 1210	1	Sealing ring		
22	0000 350 0900	1	Rope		
23	0000 353 0600	1	Hook		
	1119 007 1050	1	Set of gaskets	12, 13, 16	
	1119 007 1051	1	Set of gaskets available in Brazil only	16	

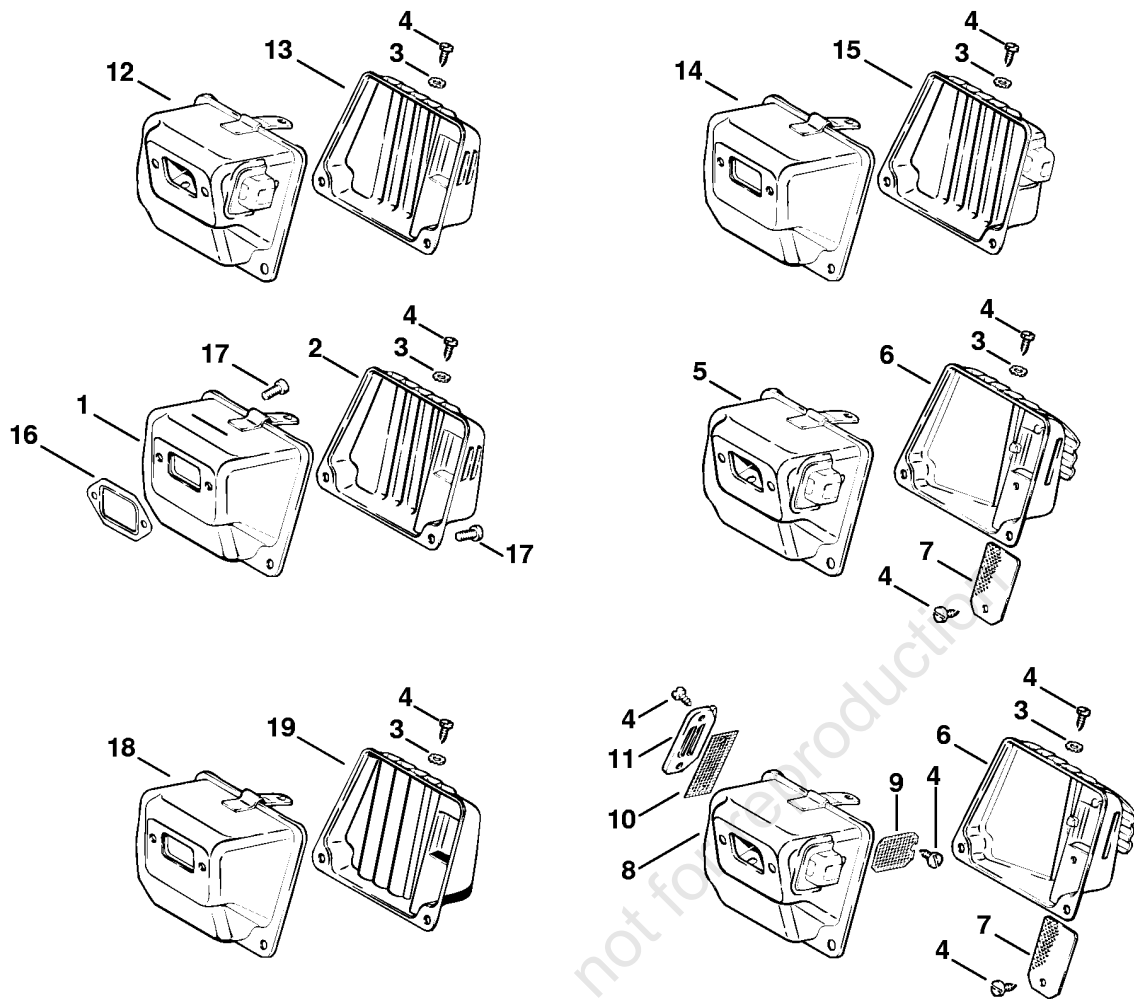


online version, not for reproduction

121ET048 SC

Cylinder

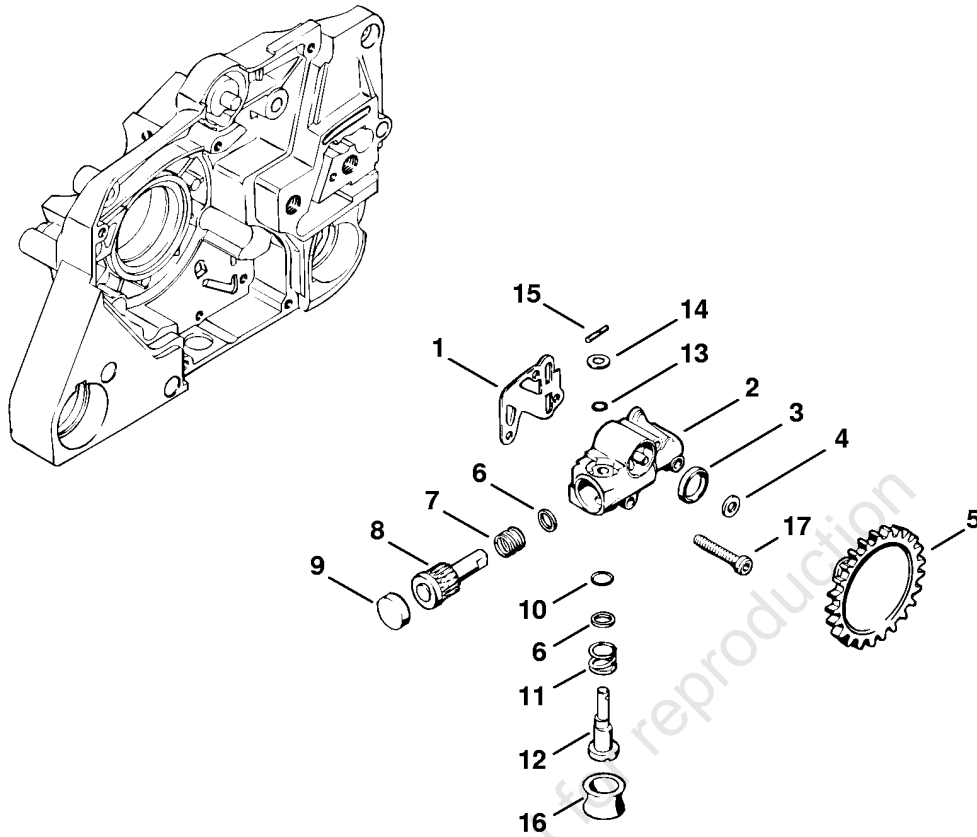
Reference	Item number	Qty	Description	Contains
1	1119 029 2301	1	Cylinder gasket 0.5 mm (2,7,8)	
2	1119 020 1201	1	Cylinder with piston Ø 50 mm (2,7,8)	3 - 6
3	1119 030 2001	1	Piston Ø 50 mm (2,7,8)	4 - 6
4	1119 034 3000	2	Piston ring Ø 50x1.5 mm (2,7,8)	
5	1108 034 1501	1	Piston pin 12x8x33	
6	9463 650 1200	2	Snap ring 12x1	
7	1119 029 2302	1	Cylinder gasket (3,4,5,6)	
8	1119 029 2303	1	Cylinder gasket 1 mm low compression	
9	1119 020 1202	1	Cylinder with piston Ø 52 mm (3,4,5,6)	5, 6, 10, 11
10	1119 030 2003	1	Piston Ø 52 mm (3,4,5,6)	5, 6, 11
11	1115 034 3010	2	Piston ring Ø 52x1.5 mm (3,4,5,6)	
12	9022 341 1010	4	Spline screw IS-M5x18	
13	9771 021 2580	1	Hose clip Ø 34x7	
14	1119 141 2200	1	Manifold	
15	1119 141 1800	1	Sleeve	
16	1125 149 0601	1	Muffler gasket	
17	0000 400 7000	1	Spark plug NGK BPMR7A	
17	1110 400 7005	1	Spark plug Bosch WSR 6 F	
	1119 007 1050	1	Set of gaskets (2,3,4,5,6,7,8)	1, 7, 16
	1119 007 1051	1	Set of gaskets available in Brazil only (2,3,4,5,6,7,8)	7, 16
	* 1110 034 3003	2	Piston ring Ø 48x1.5 mm (A) (1,9)	



121ET064 SC

Muffler

Reference	Item number	Qty	Description	Contains
	1119 007 1005	1	Muffler kit Standard	1 - 4
1	1119 145 0701	1	Inlet casing Standard	
2	1119 145 0800	1	Exhaust casing Standard	
3	9330 630 0100	1	Shake-proof washer 4.3	
4	9099 021 0810	1	Self-tapping screw 4.2x9.5	
	1119 007 1027	1	Muffler kit USA, AUS, CDN	3 - 7
5	1119 140 0901	1	Inlet casing USA, AUS, CDN	
6	1119 140 0802	1	Exhaust casing USA, AUS, CDN	4, 7
7	1110 141 9000	1	Screen USA, AUS, CDN	
	1119 007 1028	1	Muffler kit USA, AUS, CDN (5)	3, 4, 6 - 11
8	1119 140 0902	1	Inlet casing USA, AUS, CDN (5)	4, 9 - 11
9	1119 141 9001	1	Screen USA, AUS, CDN (5)	
10	1119 141 9000	1	Screen USA, AUS, CDN (5)	
11	1119 145 0600	1	Louver plate USA, AUS, CDN (5)	
	1119 007 1030	1	Muffler kit available in Brazil only	3, 4, 12, 13
12	1119 145 0703	1	Inlet casing available in Brazil only	
13	1119 145 0802	1	Exhaust casing available in Brazil only	
14	1119 140 0603	1	Muffler (B) available in Brazil only	15
15	1119 140 0803	1	Exhaust casing (B) available in Brazil only	
16	1125 149 0601	1	Muffler gasket (B)	
17	9022 341 1010	4	Spline screw IS-M5x18	
18	1119 140 0601	1	Muffler (B) BR	19
19	1119 145 0801	1	Exhaust casing (B) BR	
	1119 007 1050	1	Set of gaskets	16
	1119 007 1051	1	Set of gaskets available in Brazil only	16

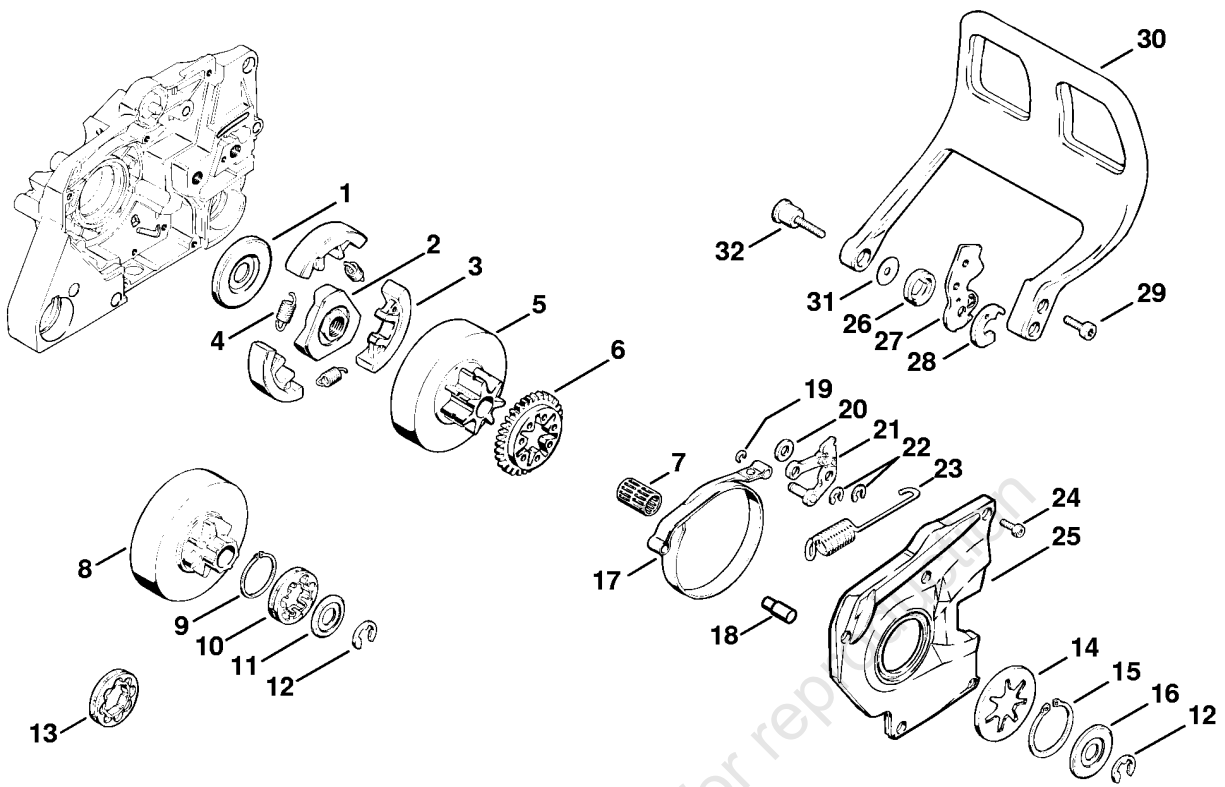


online version, not for reproduction

121ET049 SC

Oil pump

Reference	Item number	Qty	Description	Contains
1	1117 649 1100	1	Gasket	
	1119 640 3200	1	Oil pump	2 - 15
2	1117 640 3001	1	Pump housing	3
3	9643 950 1160	1	Sealing ring 12x16x3	
4	0000 958 0406	1	Washer	
5	1119 640 7100	1	Worm	
6	0000 958 0701	2	Washer	
7	0000 997 1010	1	Compression spring	
8	1117 647 0601	1	Pump piston	
9	0000 988 6220	1	Plug	
10	9646 945 0490	1	O-ring 7x1.5	
11	0000 997 1200	1	Helical spring	
12	1117 647 4801	1	Control bolt	
13	9646 945 0230	1	O-ring 5x1.25	
14	9486 648 0100	1	Cup spring 10	
15	1117 647 9800	1	Pin	
16	0000 989 0401	1	Rubber ring	
17	9022 313 0740	3	Spline screw IS-M4x25	
	1119 007 1050	1	Set of gaskets	1
	1119 007 1051	1	Set of gaskets available in Brazil only	1



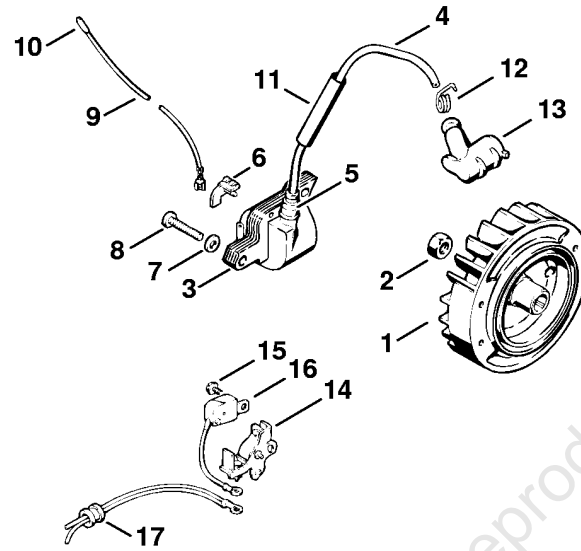
online version, not for repair

121ET076 SC

Clutch

Reference	Item number	Qty	Description	Contains
1	1119 162 8915	1	Washer	
	1119 160 2002	1	Clutch	2 - 4
2		1	Carrier (D)	
3	1119 162 0802	3	Clutch shoe	
4	0000 997 0907	3	Tension spring	
5	1119 640 2000	1	Chain sprocket 3/8" 7T	
6	1119 642 1501	1	Spur gear	
7	9512 933 3150	1	Needle cage 12x16x24	
	1119 007 1003	1	Rim sprocket kit 3/8" 7T	8 - 12
8		1	Clutch drum (D)	
9	9455 621 2790	1	Circlip 25x1.2	
10	0000 642 1223	1	Rim sprocket 3/8" 7T	
11	0000 958 1231	1	Washer	
12	9460 624 1001	1	E-clip 10x1.5	
	1119 007 1021	1	Rim sprocket kit 3/8" 8T (B)	8, 9, 11 - 13
13	0000 642 1216	1	Rim sprocket 3/8" 8T (B)	
14	1119 642 7800	1	Washer	
15	9455 621 4010	1	Circlip 36x1.2	
16	0000 958 1232	1	Washer	
17	1119 160 5401	1	Brake band	
18	1119 162 5205	1	Pin	
19	9468 621 0330	1	Circlip 6x0.7	
20	0000 958 0704	1	Washer	
21	1118 160 5002	1	Lever	
22	9460 624 0500	2	E-clip 5	
23	1119 162 7900	1	Tension spring	
24	9022 313 0660	5	Spline screw IS-M4x12	
25	1119 021 1102	1	Cover	
26	0000 998 1801	1	Torsion spring	
27	1117 162 5020	1	Lever	
28	1117 162 8906	1	Sealing washer	
29	9022 341 0980	2	Spline screw IS-M5x16	
30	1117 790 9100	1	Hand guard	
31	0000 958 0512	1	Washer	
32	0000 790 6102	1	Screw assy. M5	

(1) 038, (2) 038 FB, (3) 038 M, (4) 038 MR, (5) 038 MR II, (6) 038 MW, (7) 038 S, (8) 038 SW, (9) 038 W

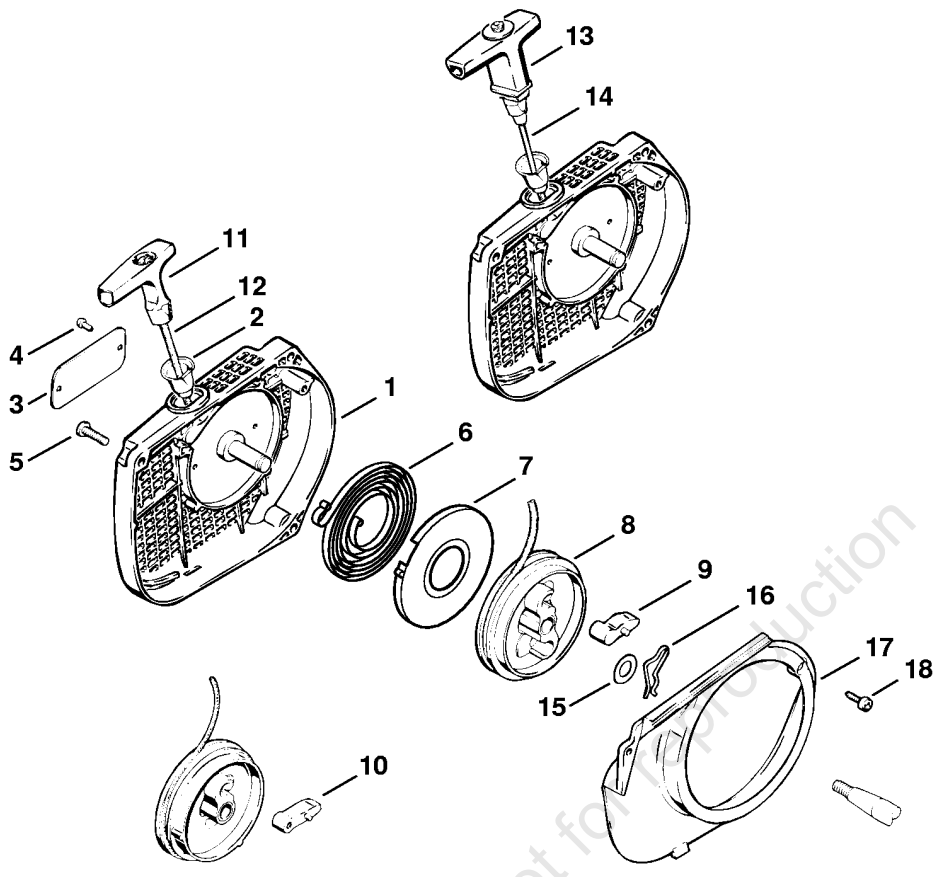


online version, not for reproduction

121ET051 SC

Ignition system

Reference	Item number	Qty	Description	Contains	Technical Information
1	1119 400 1206	1	Flywheel (1,2,3,4,5,7)		25.2005
2	9210 261 1140	1	Hexagon nut M8x1		
3	0000 400 1300	1	Ignition module	4 - 6	
4		1	Ignition lead 150 mm		
	0000 405 0600	1	Ignition lead 1 m (B)		
	0000 930 2251	1	Ignition lead 10 m (B)		
5	0000 989 1010	1	Grommet		
6	0000 448 1250	1	Lead retainer		
7	9294 021 0120	2	Washer 5.3		
8	9022 371 1050	2	Spline screw IS-M5x25		
9	1118 440 1100	1	Short circuit wire 330 mm / 13"	10	
10	1110 442 7000	1	Contact sleeve (C)		
11	1119 405 8000	1	Hose		
11	1119 405 8005	1	Hose		
12	0000 998 0604	1	Spark plug contact spring		
13	1128 405 1000	1	Spark plug boot		
14	* 1118 400 2000	1	Set of points (1)		
15	* 9047 319 0650	3	Pan head screw M4x10 (1)		
16	* 1118 404 3400	1	Capacitor (1)		
17	* 0000 989 0809	1	Grommet (1)		



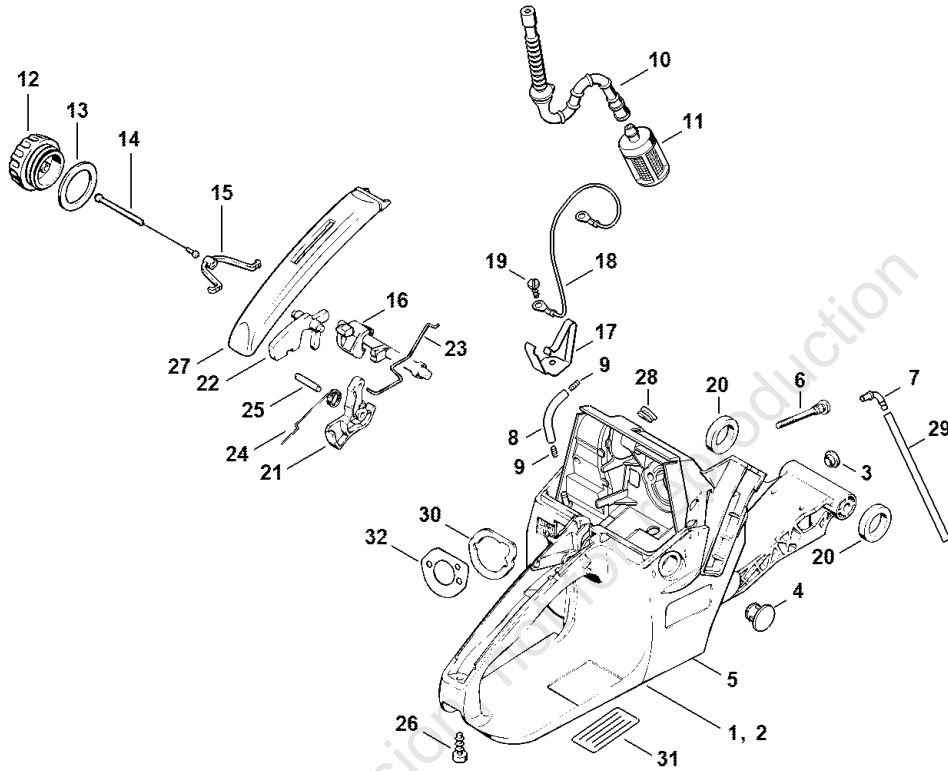
online version, not for production

121ET071 SC

Rewind starter

Reference	Item number	Qty	Description	Contains	Up to
1	1119 080 1800	1	Fan housing	2 - 4	
2	1110 084 9102	1	Bushing		
3	0000 967 2020	1	Nameplate STIHL		
3	0000 967 2018	1	Nameplate STIHL available in Brazil only		
4	0000 974 1000	2	Round head rivet 3x6		
5	9022 341 1010	2	Spline screw IS-M5x18		
6	1117 190 0601	1	Rewind spring	7	
7	1117 195 0301	1	Spring housing		
8	1117 007 1014	1	Rope rotor kit	9	
9	1124 195 7200	1	Pawl		
10	* 1117 195 7200	1	Pawl		15378613
11	1121 195 3400	1	Starter grip		
12	1107 195 8200	1	Starter rope Ø 4.5x1000 mm		
	0000 930 2200	1	Starter rope Ø 4.5 mm x 30.5 m (B)		
	0000 930 2213	1	Starter rope Ø 4.5 mm x 60.8 m (B)		
13	1122 190 3400	1	Starter grip ElastoStart Ø 4,5 mm AUS	14	
14	1122 190 2900	1	Starter rope Ø 4.5 mm AUS		
	0000 930 2268	1	Starter rope Ø 4.5mm / 28 pieces (B) AUS		
15	1118 162 8935	1	Washer		
16	1117 195 3500	1	Spring		
17	1119 084 7800	1	Segment		
18	9022 313 0660	2	Spline screw IS-M4x12		

Tank housing



1118-GET-002-0-A0

(1) 038, (2) 038 FB, (3) 038 M, (4) 038 MR, (5) 038 MR II, (6) 038 MW, (7) 038 S, (8) 038 SW, (9) 038 W

Tank housing

Reference	Item number	Qty	Description	Contains	Up to
	1119 350 0850	1	Tank housing	1, 3 - 29	
1	1119 350 0822	1	Tank housing	3 - 7	
2	1119 350 0823	1	Tank housing available in Brazil only	5 - 7	
3	9302 929 0400	1	Plug 9		
4	1118 145 9001	1	Plug		
5	0000 967 3662	1	Warning pictogram MS		
6	1125 122 6600	2	Collar screw		
7	1119 122 3900	1	Elbow connector		
8	1117 350 5800	1	Tank vent	9	
9	1120 358 8105	2	Vent insert		
10	1119 358 7701	1	Hose		
11	0000 350 3518	1	Pickup body		
12	0000 350 0520	1	Filler cap	13 - 15	
13	0000 359 1220	1	Sealing ring		
14	0000 350 0900	1	Rope		
15	0000 353 0600	1	Hook		
16	1118 182 0900	1	Switch shaft		
17	1118 442 1600	1	Contact spring		
18	1117 440 2200	1	Ground wire 200 mm / 7 7/8"		
19	9100 021 0810	1	Self-tapping screw 4.2x9.5		
20	1119 791 8400	2	Ring		
21	1118 182 1006	1	Throttle trigger		
22	1117 182 0805	1	Lockout lever		
23	1119 182 1501	1	Throttle rod		
24	1117 182 4500	1	Torsion spring		
25	9371 470 2640	1	Cylindrical pin 5x24		
26	9074 478 3076	1	Pan head self-tapping screw IS-P4x19		
27	1118 791 0602	1	Handle molding		
28	0000 989 0808	1	Grommet		
29		1	Hose 3.1x5.7x102 mm, R3 (D)		
	0000 930 2803	1	Hose 3.1x5.7 mm x 1 m, R3 (A,B)		
	0712 923 8004	1	Hose 3.1x5.7 mm x 10 m, R3 (A,B)		
30	1119 121 8600	1	Washer		
31		1	Instruction label (C) BR		
32	* 1119 129 1100	1	Gasket		13360413
	* 1119 007 1017	1	Tank housing assembly	1, 3 - 7, 18, 19, 30, 34	
	* 1119 007 1007	1	Tank housing assembly available in	2, 5 - 7, 18 -	

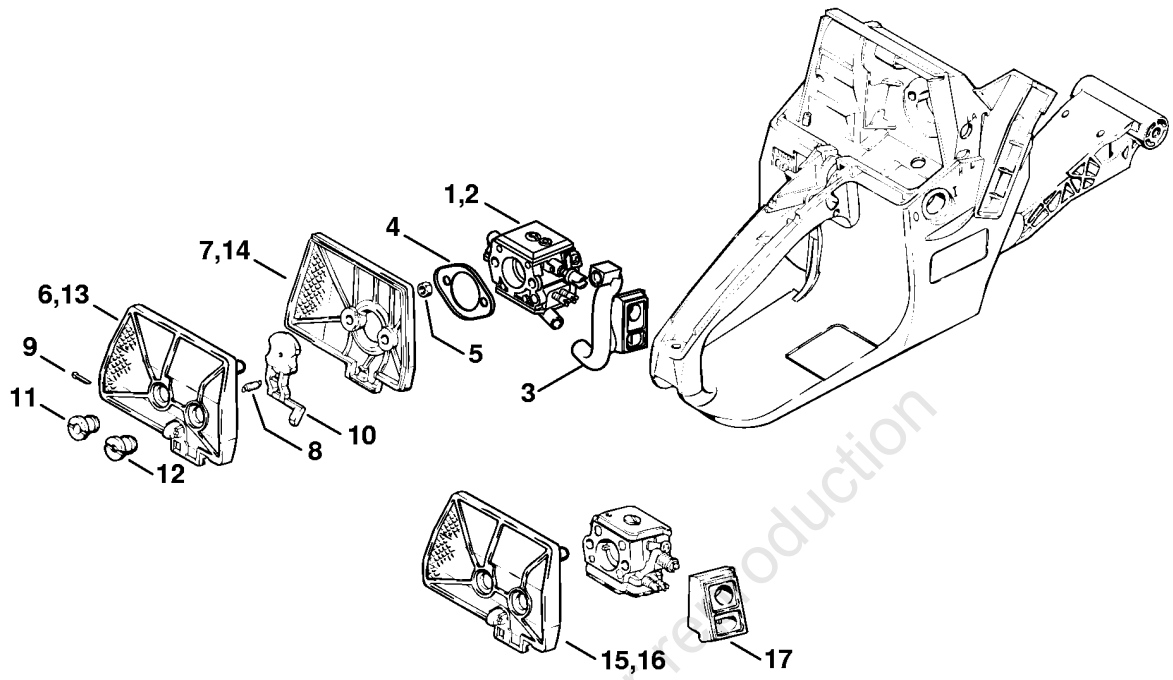
(1) 038, (2) 038 FB, (3) 038 M, (4) 038 MR, (5) 038 MR II, (6) 038 MW, (7) 038 S, (8) 038 SW, (9) 038 W

Tank housing

Reference	Item number	Qty	Description	Contains	Up to
			Brazil only	20, 28, 30	

online version, not for reproduction

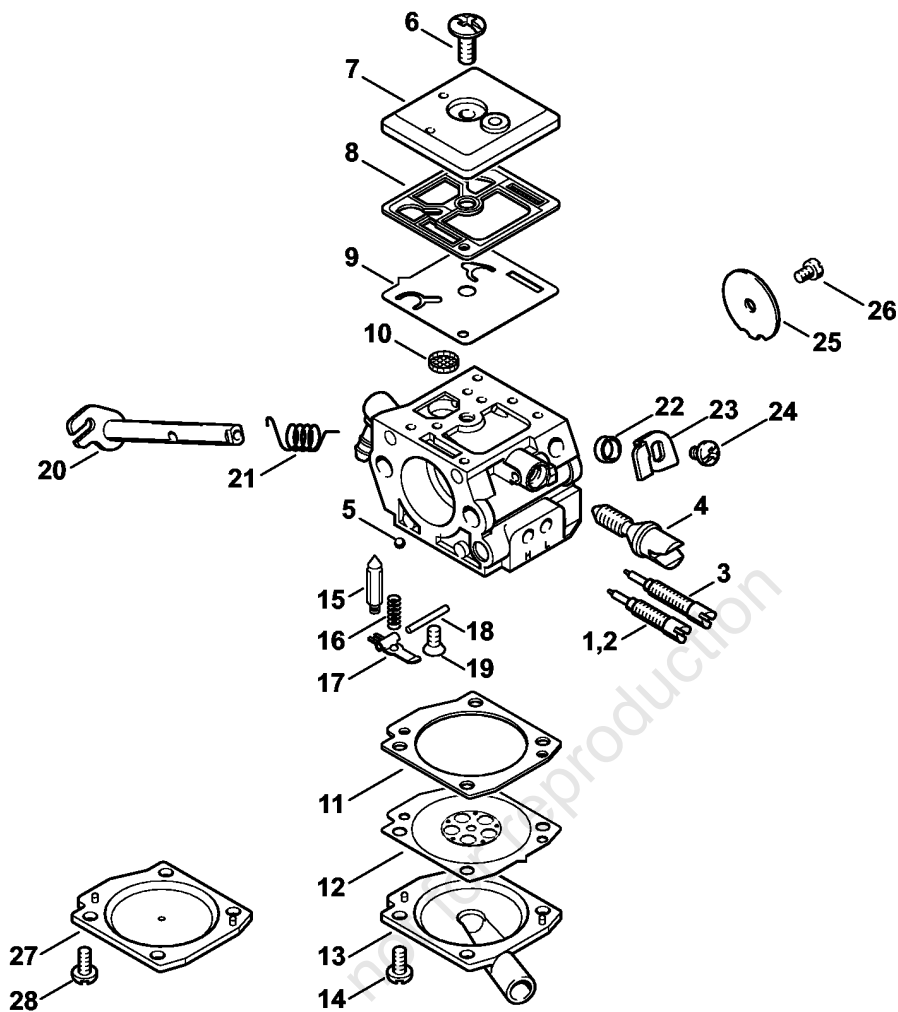
Air filter



121ET078 SC

Air filter

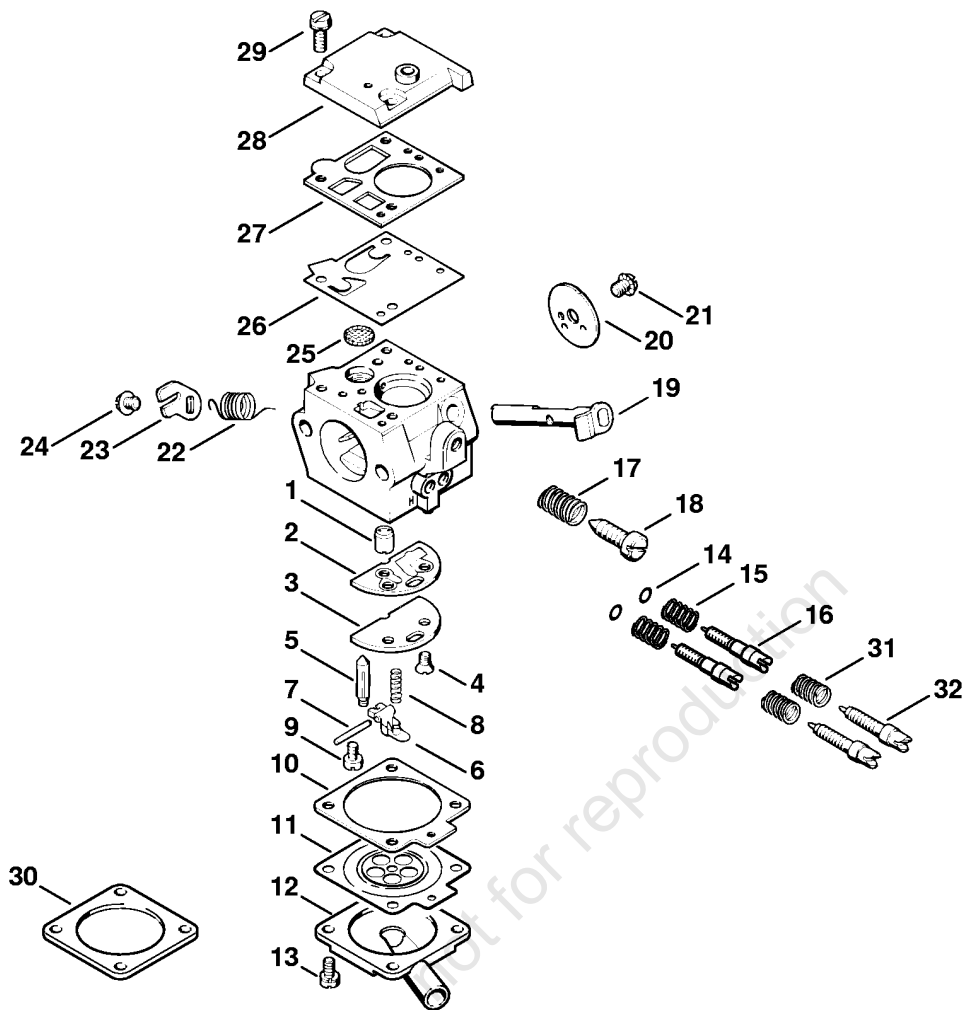
Reference	Item number	Qty	Description	Contains	Up to
1	1119 120 0605	1	Carburetor C3-S148A		
2	1119 120 0606	1	Carburetor C3-S149A available in Brazil only		
3	1119 123 7502	1	Grommet		
4	1127 121 7000	1	Baffle		
5	9210 260 0700	2	Hexagon nut M5		
	1119 120 1615	1	Air filter, wire mesh	6 - 12	
6	1119 120 1605	1	Air filter, wire mesh		
7	1119 120 1603	1	Air filter, wire mesh		
8	0000 997 5505	1	Tension spring		
9	9395 825 1090	1	Split pin 2x10		
10	1119 121 2900	1	Choke shutter		
11	1113 140 9510	1	Slotted nut		
12	1125 141 8300	1	Slotted nut		
	1119 120 1614	1	Air filter, fleece	8 - 14	
13	1119 120 1606	1	Air filter, fleece		
14	1119 120 1602	1	Air filter, fleece		
	* 1119 120 1610	1	Air filter, wire mesh	6, 8 - 12, 15	144381326
15	* 1119 120 1600	1	Air filter, wire mesh		144381326
	* 1119 120 1611	1	Air filter, fleece	8 - 13, 16	144381326
16	* 1119 120 1601	1	Air filter, fleece		144381326
17	* 1119 123 7500	1	Grommet		144381326



(1) 038, (2) 038 FB, (3) 038 M, (4) 038 MR, (5) 038 MR11, (6) 038 MW, (7) 038 S, (8) 038 SW, (9) 038 W

Carburetor C3-S148, C3-S149

Reference	Item number	Qty	Description	Contains
	1119 120 0605	1	Carburetor C3-S148A	1, 3 - 26
	1119 120 0606	1	Carburetor C3-S149A available in Brazil only	2 - 26
1	1119 122 6700	1	High speed screw	
2	1119 122 6701	1	High speed screw	
3	1119 122 6800	1	Low speed screw	
4	1139 122 6200	1	Idle speed screw	
5	1125 122 4200	1	Clamp	
6	1120 122 7800	1	Oval head screw	
7	1125 121 0802	1	End cover	
8	1125 129 0900	1	Gasket	
9	1128 121 4802	1	Pump diaphragm	
10	1123 121 7800	1	Strainer	
11	1125 129 0901	1	Gasket	
12	1119 121 4702	1	Metering diaphragm	
13	1119 121 0804	1	End cover	
14	1120 122 6601	4	Collar screw	
15	4126 121 5170	1	Inlet needle	
16	1129 122 3001	1	Spring	
17	1119 121 5002	1	Inlet control lever	
18	1120 121 9200	1	Spindle	
19	1120 122 6600	1	Collar screw	
20	1119 120 7103	1	Throttle shaft with lever	
21	1119 122 3202	1	Torsion spring	
22	1119 122 5000	1	Spacer sleeve	
23	1119 121 3500	1	Throttle lever	
24	9079 319 0280	1	Flat head screw M3x3.5	
25	1119 121 3302	1	Throttle shutter	
26	1125 122 7402	1	Round head screw	
27	* 1119 120 0800	1	End cover	28
28	* 4132 122 6600	4	Collar screw	
	1119 007 1032	1	Set of carburetor parts	8 - 12, 15, 16
	1119 007 1031	1	Set of carburetor parts	8, 9, 11, 12



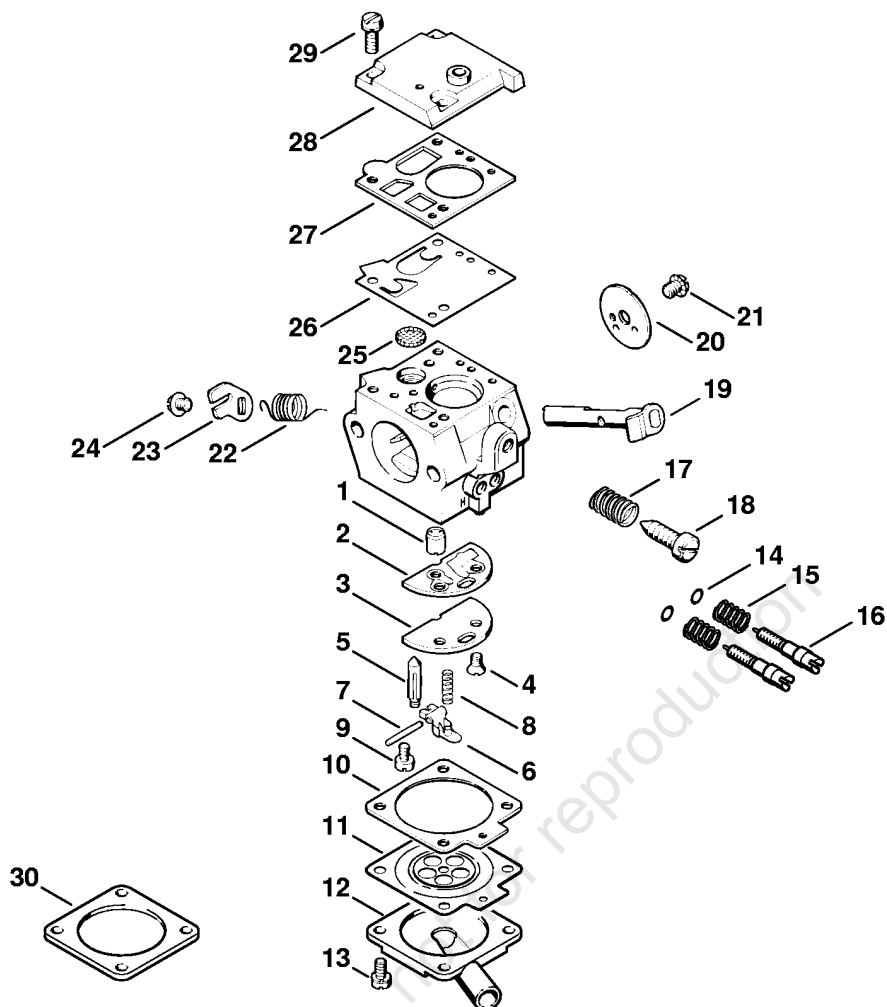
online version, not for reproduction

121ET 05/5 SC

(1) 038, (2) 038 FB, (3) 038 M, (4) 038 MR, (5) 038 MR11, (6) 038 MW, (7) 038 S, (8) 038 SW, (9) 038 W

Carburetor Bing 48A101 (50.2008)

Reference	Item number	Qty	Description	Contains	Up to
	* 1119 120 0650	1	Carburetor Bing 48A101C (C)	1 - 30	
1	* 1119 121 5402	1	Valve jet		
2	* 1119 129 0900	1	Gasket		
3	* 1119 121 7401	1	Plate		
4	* 1119 122 7900	2	Countersunk screw		
5	* 1110 121 5100	1	Inlet needle		
6	* 1119 121 5001	1	Inlet control lever		
7	* 1119 121 9200	1	Spindle		
8	* 1119 122 3001	1	Spring		
9	* 1119 122 7101	1	Screw		
10	* 1119 129 0905	1	Gasket		
11	* 1119 121 4701	1	Metering diaphragm		
12	* 1119 121 0803	1	End cover		
13	* 1119 122 7200	4	Pan head screw		
14	* 1119 122 3600	2	Sealing ring		
15	* 1119 122 3004	2	Spring		
16	* 1119 122 6602	2	Adjusting screw		
17	* 1119 122 3003	1	Spring		
18	* 1119 122 6201	1	Idle speed screw		
19	* 1119 120 7102	1	Throttle shaft with lever		
20	* 1119 121 3301	1	Throttle shutter		
21	* 1119 122 7102	1	Screw		
22	* 1119 122 3201	1	Torsion spring		
23	* 1119 121 2801	1	Strap		
24	* 1119 122 7210	1	Pan head screw		
25	* 1119 121 7801	1	Strainer		
26	* 1119 121 4801	1	Pump diaphragm		
27	* 1119 129 0910	1	Gasket		
28	* 1119 121 0802	1	End cover		
29	* 1119 122 7205	3	Pan head screw		
	* 1119 007 1062	1	Set of carburetor parts	2, 10, 11, 26, 27	
	* 1119 007 1066	1	Set of carburetor parts	2, 5, 6, 8, 10, 11, 25 - 27	
30	* 1119 121 0801	1	End cover		144381326
31	* 1119 122 3002	2	Spring		144381326
32	* 1119 122 6601	2	Adjusting screw		144381326

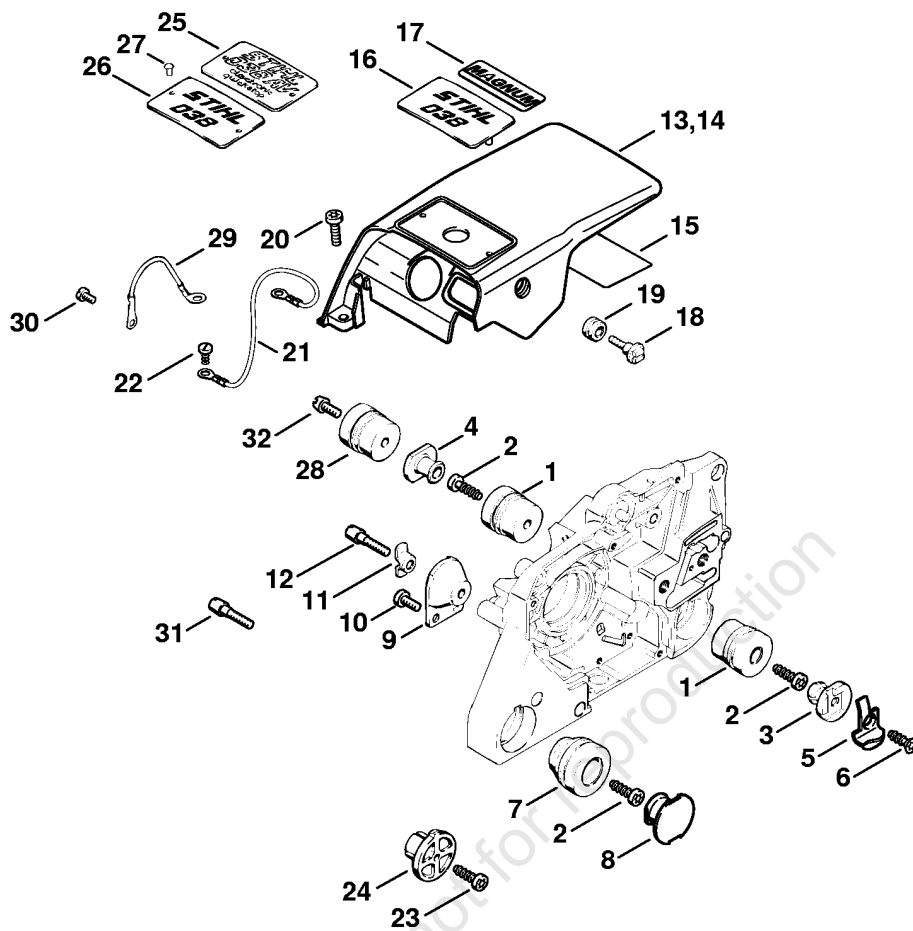


121ET070 SC

(1) 038, (2) 038 FB, (3) 038 M, (4) 038 MR, (5) 038 MR11, (6) 038 MW, (7) 038 S, (8) 038 SW, (9) 038 W

Carburetor Bing 48A125 (50.2008)

Reference	Item number	Qty	Description	Contains
	* 1119 120 0651	1	Carburetor Bing 48A125A (C) available in Brazil only	1 - 30
1	* 1119 121 5402	1	Valve jet	
2	* 1119 129 0900	1	Gasket	
3	* 1119 121 7402	1	Plate available in Brazil only	
4	* 1119 122 7900	2	Countersunk screw	
5	* 1110 121 5100	1	Inlet needle	
6	* 1119 121 5001	1	Inlet control lever	
7	* 1119 121 9200	1	Spindle	
8	* 1119 122 3001	1	Spring	
9	* 1119 122 7101	1	Screw	
10	* 1119 129 0905	1	Gasket	
11	* 1119 121 4701	1	Metering diaphragm	
12	* 1119 121 0803	1	End cover	
13	* 1119 122 7200	4	Pan head screw	
14	* 1119 122 3600	2	Sealing ring	
15	* 1119 122 3004	2	Spring	
16	* 1119 122 6602	2	Adjusting screw	
17	* 1119 122 3003	1	Spring	
18	* 1119 122 6201	1	Idle speed screw	
19	* 1119 120 7102	1	Throttle shaft with lever	
20	* 1119 121 3301	1	Throttle shutter	
21	* 1119 122 7102	1	Screw	
22	* 1119 122 3201	1	Torsion spring	
23	* 1119 121 2801	1	Strap	
24	* 1119 122 7210	1	Pan head screw	
25	* 1119 121 7801	1	Strainer	
26	* 1119 121 4801	1	Pump diaphragm	
27	* 1119 129 0910	1	Gasket	
28	* 1119 121 0802	1	End cover	
29	* 1119 122 7205	3	Pan head screw	
30	* 1119 121 0801	1	End cover	
	* 1119 007 1062	1	Set of carburetor parts	2, 10, 11, 26, 27
	* 1119 007 1066	1	Set of carburetor parts	2, 5, 6, 8, 10, 11, 25 - 27



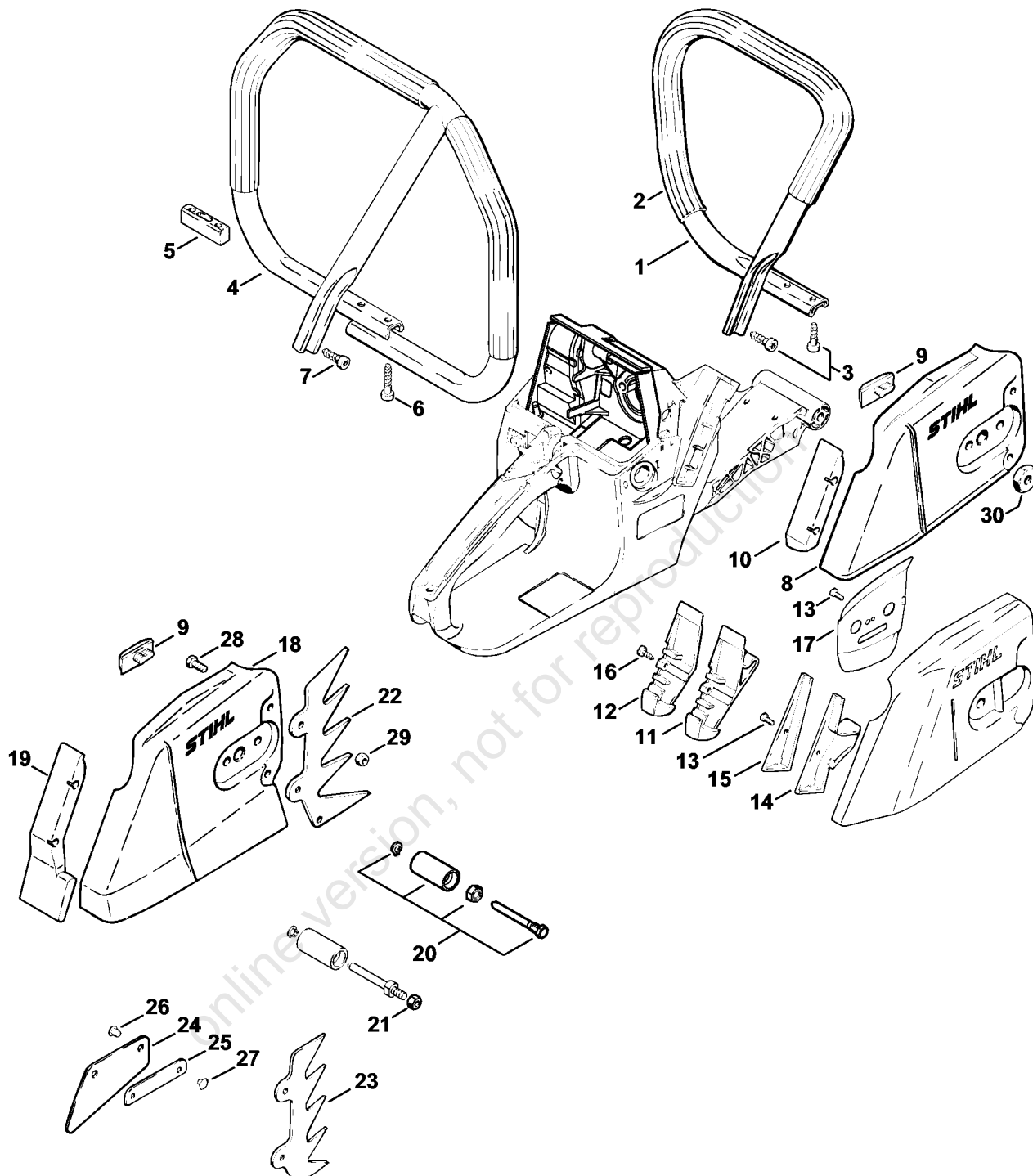
121ET063 SC

(1) 038, (2) 038 FB, (3) 038 M, (4) 038 MR, (5) 038 MR II, (6) 038 MW, (7) 038 S, (8) 038 SW, (9) 038 W

Shroud

Reference	Item number	Qty	Description	Contains	Up to
1	1121 790 9912	2	Annular buffer		
2	9074 478 4435	3	Pan head self-tapping screw IS-P6x19		
3	1119 791 7305	1	Plug		
4	1119 791 7306	1	Plug		
5	1125 650 7700	1	Chain catcher	6	
6	9104 003 3065	1	Self-tapping screw P6.3x18		
7	1121 790 9909	1	Annular buffer		
8	1125 791 7306	1	Plug		
9	1118 790 9930	1	Annular buffer		
10	9022 341 0960	2	Spline screw IS-M5x12		
11	1121 791 1200	1	Retainer		
12	1121 791 6105	1	Pan head screw		
13	1119 080 1600	1	Shroud	15	
14	1119 080 1601	1	Shroud available in Brazil only	15	
15	1119 084 8300	1	Reflector foil		
16	1119 967 1512	1	Model plate 038		
17	0000 967 1593	1	Model plate Magnum		
18	1124 084 8700	1	Collar screw		
19	1124 084 8900	1	Ring		
20	9022 341 1010	2	Spline screw IS-M5x18		
21	1117 440 2200	1	Ground wire 200 mm / 7 7/8"		
22	9100 021 0810	1	Self-tapping screw 4.2x9.5		
23	* 9074 478 4425	1	Pan head self-tapping screw IS-P6x19		18722979
24	* 1118 791 7305	1	Plug		18722979
25	* 1119 967 1503	1	Model plate 038 AVEQ		18722979
26	* 1119 967 1511	1	Model plate 038		18722979
27	* 0000 974 1000	2	Round head rivet 3x6		18722979
28	* 1121 790 9911	2	Annular buffer		
29	* 1118 440 2200	1	Ground wire		13360413
30	* 9041 216 0610	1	Pan head screw M4x6		13360413
31	* 1118 791 6105	1	Pan head screw		13360413
32	* 1118 792 3300	3	Screw		13360413
	* 1119 007 1017	1	Tank housing assembly	1, 7, 11, 12, 21 - 23	
	* 1119 007 1007	1	Tank housing assembly available in Brazil only	2, 11, 12, 21, 22	

(1) 038, (2) 038 FB, (3) 038 M, (4) 038 MR, (5) 038 MR II, (6) 038 MW, (7) 038 S, (8) 038 SW, (9) 038 W

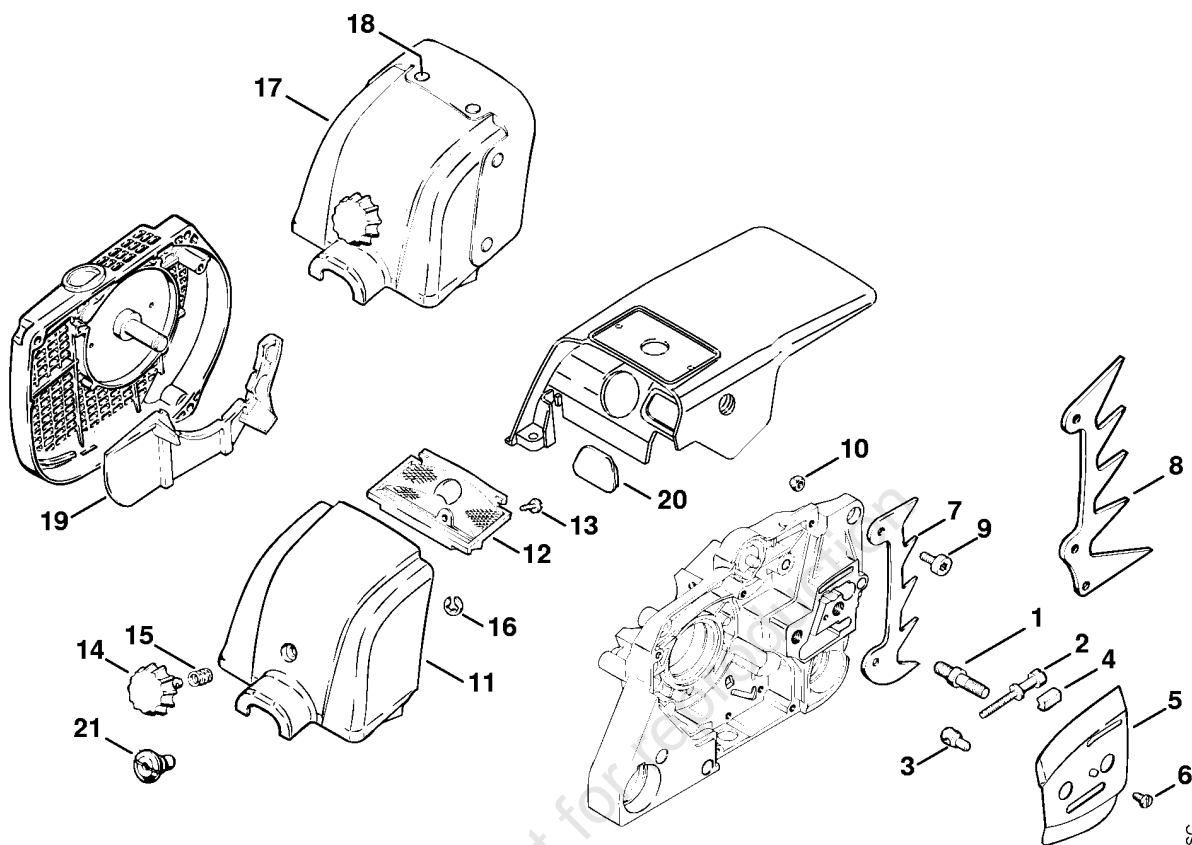


(1) 038, (2) 038 FB, (3) 038 M, (4) 038 MR, (5) 038 MR II, (6) 038 MW, (7) 038 S, (8) 038 SW, (9) 038 W

Handlebar, Chain sprocket cover

Reference	Item number	Qty	Description	Contains	Up to
1	1119 790 1700	1	Handlebar (1,2,3,6,7,8,9)	2	
2		1	Handle hose 450 mm / 17 3/4" (1,2,3,6,7,8,9)		
	0000 791 2009	1	Handle hose Ø 19 mm x 5 m / 3/4x197" (A,B)		
3	9074 478 4435	4	Pan head self-tapping screw IS-P6x19 (1,2,3,6,7,8,9)		
4	1119 790 3605	1	Wrap around handlebar with hose 350, 210 mm (4,5)		
5	1119 791 4500	1	Spacer (4,5)		
6	9074 478 4675	2	Pan head self-tapping screw IS-P6x32.5 (4,5)		
7	9074 478 4435	2	Pan head self-tapping screw IS-P6x19 (4,5)		
8	1125 640 1701	1	Chain sprocket cover (1,2,3,6,7,8,9)	9, 10	
9	1121 648 6610	2	Bumper strip (1,2,3,6,7,8,9)		
10	1125 656 1501	1	Guard (1,2,3,6,7,8,9)		
11	* 1125 656 1500	1	Guard (C) (1,2,3,6,7,8,9)		
12	* 1125 656 1505	1	Guard (C) (1,2,3,6,7,8,9)		
13	* 9039 488 0340	1	Self-tapping screw M3x8 (1,2,3,6,7,8,9)		
14	* 1118 656 1500	1	Guard (C) (1,2,3,6,7,8,9)		16489908
15	* 1121 656 1500	1	Guard (1,2,3,6,7,8,9)		16489908
16	* 9099 021 1760	1	Self-tapping screw 2.9x9.5 (1,2,3,6,7,8,9)		16489908
17	* 1117 664 1100	1	Outer side plate (C) (1,2,3,6,7,8,9)		16489908
	1122 640 1711	1	Chain sprocket cover (4,5)	9, 18 - 20, 22, 28, 29	
18	1122 648 0403	1	Chain sprocket cover (4,5)		
19	1122 656 1510	1	Guard (4,5)		
20	1122 650 7701	1	Chain catcher (4,5)		
21	* 9214 320 0700	1	Lock nut M5 (4,5)		
22	1122 664 0509	1	Bumper spike (4,5)		
23	* 1117 664 0500	3	Bumper spike (4,5)		
24	* 1115 656 2005	1	Chip guard (4,5)		
25	* 1115 656 5105	1	Clamping bar (4,5)		
26	* 9408 021 4530	1	Rivet shank 4x8x6 (4,5)		
27	* 9409 021 4440	1	Rivet head 4x11 (4,5)		
28	9008 345 0960	2	Hexagon head screw M5x12 (4,5)		
29	9214 320 0700	3	Lock nut M5 (4,5)		
30	0000 955 0801	2	Hexagon nut M8 (4,5)		

(1) 038, (2) 038 FB, (3) 038 M, (4) 038 MR, (5) 038 MR II, (6) 038 MW, (7) 038 S, (8) 038 SW, (9) 038 W

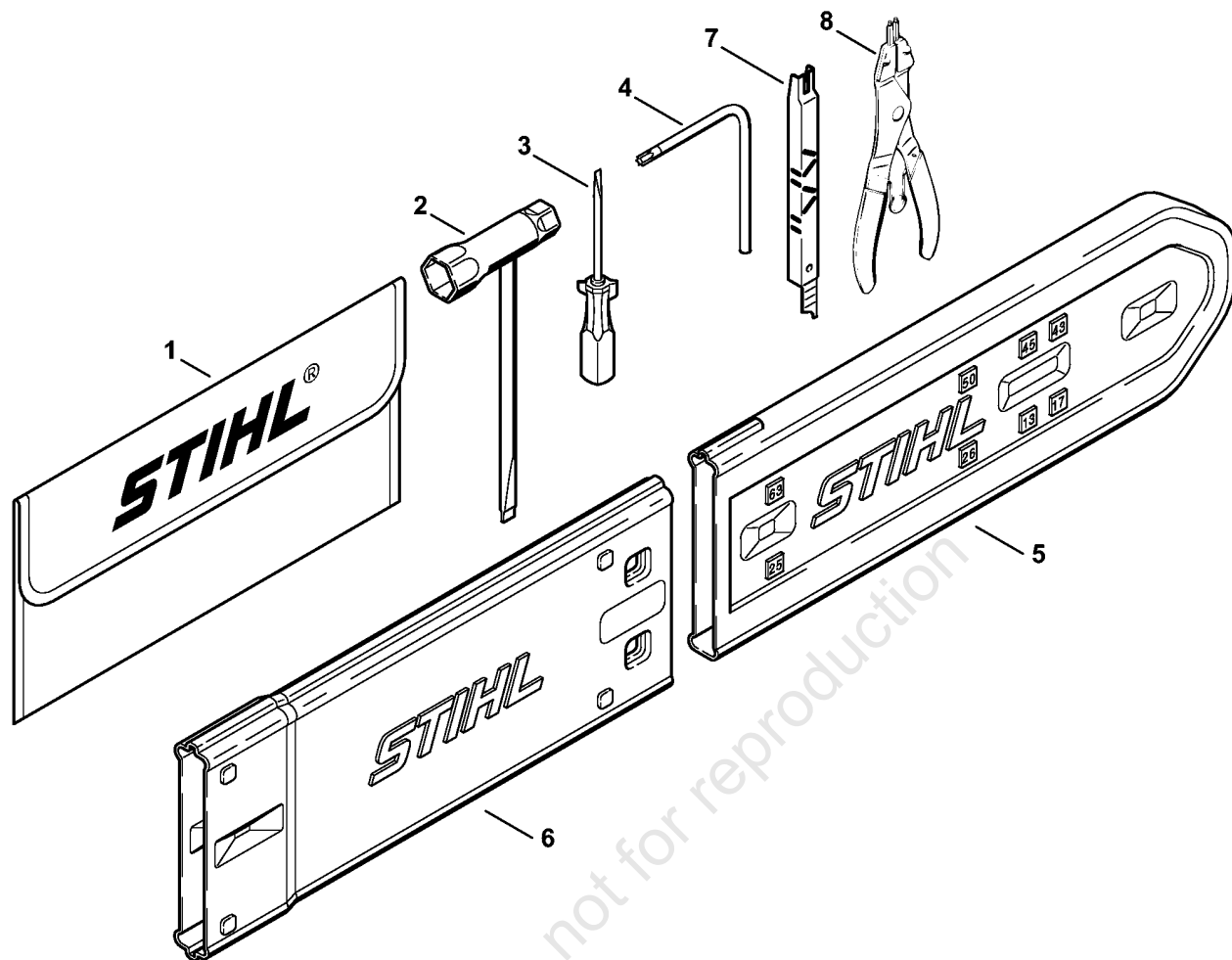


121ET067 SC

(1) 038, (2) 038 FB, (3) 038 M, (4) 038 MR, (5) 038 MR II, (6) 038 MW, (7) 038 S, (8) 038 SW, (9) 038 W

Chain tensioner, Carburetor box cover

Reference	Item number	Qty	Description	Contains
1	0000 953 6605	2	Collar screw M8	
2	1118 664 1600	1	Adjusting screw	
3	1120 664 1500	1	Tensioning nut	
4	1118 021 9000	1	Clamp	
5	1119 664 1000	1	Inner side plate	
6	9041 216 0630	1	Pan head screw M4x8	
7	1128 664 0500	1	Bumper spike (1,2,3,6,7,8,9)	
8	1122 664 0506	1	Bumper spike (4,5)	
9	9022 341 0960	2	Spline screw IS-M5x12	
10	9214 320 0700	1	Lock nut M5	
11	1119 140 1904	1	Carburetor box cover	12 - 16
12	1119 120 1500	1	Prefilter	
13	9099 021 2770	1	Self-tapping screw 3.9x13	
14	1113 140 9200	1	Twist lock	
15	0000 997 0927	1	Compression spring	
16	9460 624 0500	1	E-clip 5	
	1119 007 1004	1	Intake air preheating kit (B)	12 - 20
17	1119 140 1903	1	Carburetor box cover (B)	12 - 16, 18
18	9409 021 4440	6	Rivet head 4x11 (B)	
19	1119 084 8200	1	Cover plate (B)	
20	1118 145 9000	1	Plug (B)	
21	* 1118 141 8300	1	Slotted nut (2)	

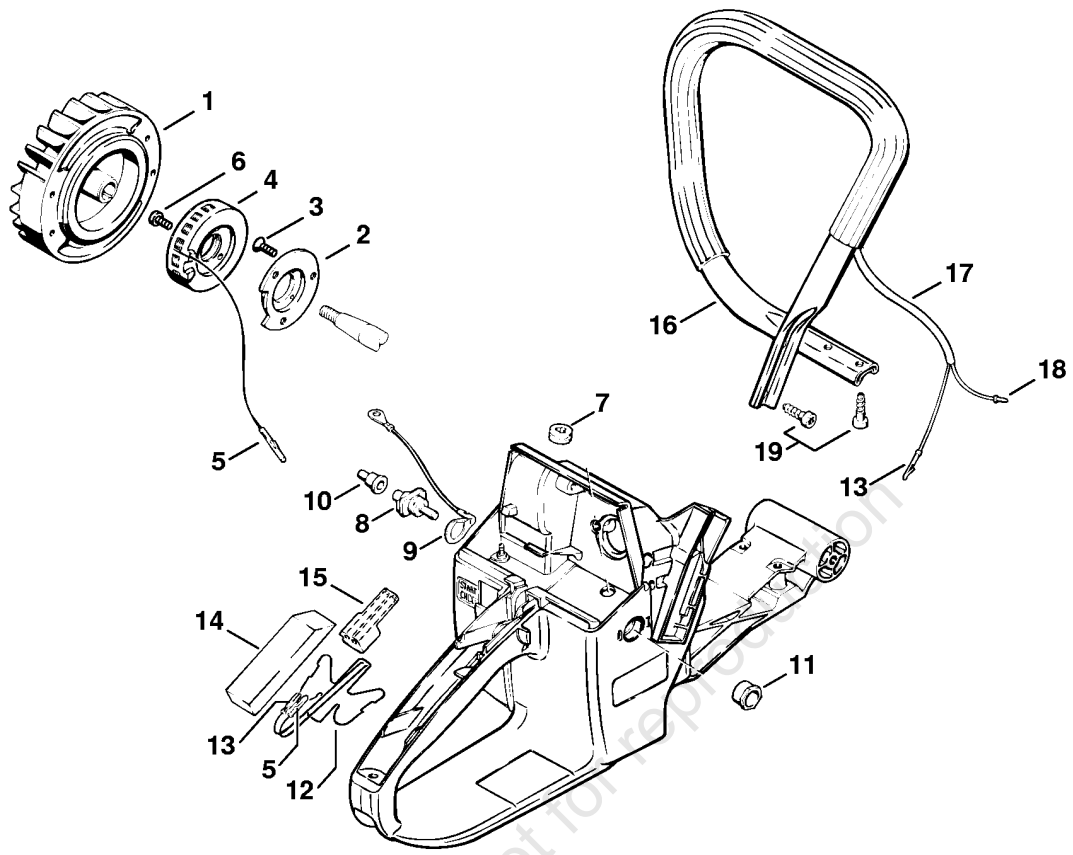


(1) 038, (2) 038 FB, (3) 038 M, (4) 038 MR, (5) 038 MR II, (6) 038 MW, (7) 038 S, (8) 038 SW, (9) 038 W

Tools, Extras

Reference	Item number	Qty	Description	Contains
	1121 890 1400	1	Tool kit	1 - 4
1	0000 891 0810	1	Tool roll	
2	1129 890 3401	1	Combination wrench	
3	0000 890 2300	1	Screwdriver	
4	0812 370 1000	1	Screwdriver T27x120x70	
5	0000 792 9129	1	Chain scabbard	
6	0000 792 9132	1	Chain scabbard extension up to 63 cm (B,C)	
7	1110 893 4000	1	Filing gauge (B)	
8		1	Circlip pliers (C)	

online version, not for reproduction



(1) 038, (2) 038 FB, (3) 038 M, (4) 038 MR, (5) 038 MR II, (6) 038 MW, (7) 038 S, (8) 038 SW, (9) 038 W

Heating

Reference	Item number	Qty	Description	Contains	Technical Information
1	* 1119 400 1203	1	Flywheel (6,8)		25.2005
2	* 1118 028 0700	1	Flange (6,8)		
3	* 9062 319 0650	3	Countersunk screw M4x10 (6,8)		
4	* 1128 404 3500	1	Generator (6,8)	5	
5	* 1118 431 6600	1	Terminal pin (C) (6,8)		
6	* 9048 319 0650	3	Pan head screw M4x10 (6,8)		
7	* 0000 989 0811	1	Grommet (6,8)		
8	* 1110 430 0202	1	Stop switch (6,8)		
9	* 1118 440 2205	1	Ground wire (6,8)		
10	* 1110 432 9200	1	Grommet (6,8)		
11	* 1118 432 2200	1	Hexagon nut M12 (6,8)		
12	* 1125 434 5000	1	Heating element (6,8)	5, 13	
13	* 1118 431 6700	1	Terminal socket (C) (6,8)		
14	* 1121 791 9000	1	Clamp (6,8)		
15	* 1118 791 9001	1	Clamp (6,8)		
	* 1119 007 1022	1	Handlebar kit (C) (6,8)	5, 12, 13, 16 - 18	
16	* 1119 790 1711	1	Handlebar (C) (6,8)	5, 17, 18	
17	* 1124 442 0400	1	Insulating hose 160 mm / 6.3" (6,8)		
18	* 0000 442 7000	1	Contact sleeve (C) (6,8)		
19	* 9074 478 4435	4	Pan head self-tapping screw IS-P6x19 (6,8)		