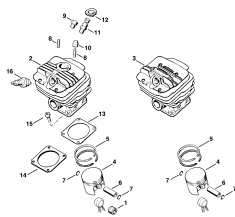
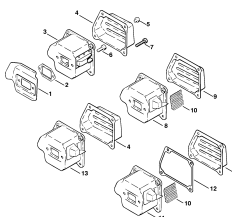


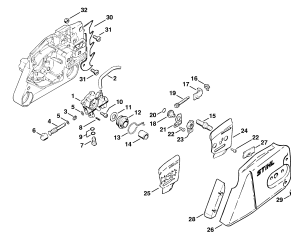
Crankcase



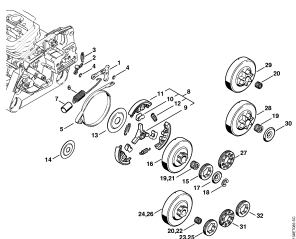
Cylinder



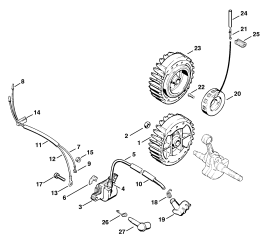
Muffler



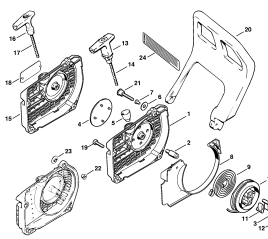
Oil pump, Chain tensioner kit



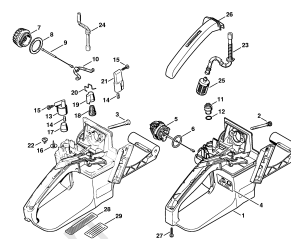
Chain brake, Clutch



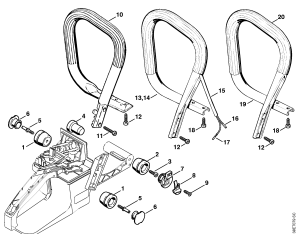
Ignition system



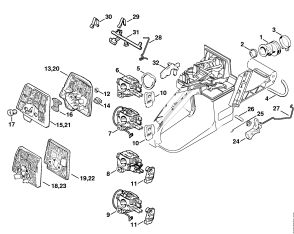
Rewind starter



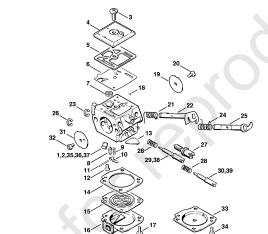
Tank housing



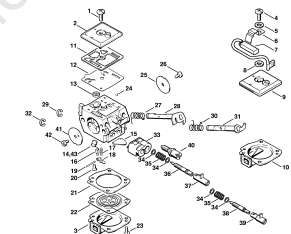
AV system, Handlebar



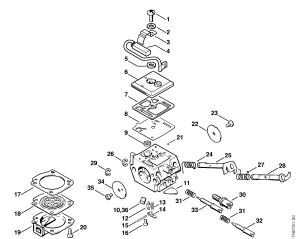
Air filter



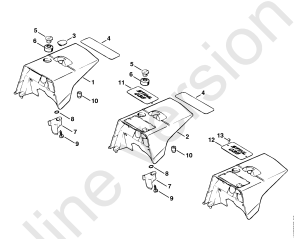
Carburetor C3A-S31, C3A-S65



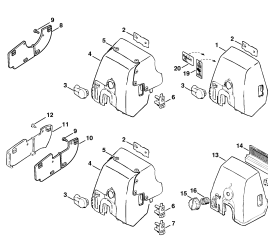
Carburetor C3A-S39, C3A-S52



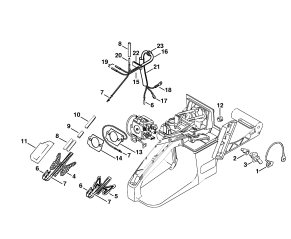
Carburetor C3A-S27



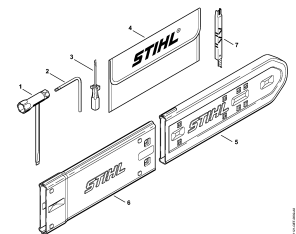
Shroud



Carburetor box cover



Heating



Tools, Extras

Description

Crankcase

Cylinder

Muffler

Oil pump, Chain tensioner kit

Chain brake, Clutch

Ignition system

Rewind starter

Tank housing

AV system, Handlebar

Air filter

Carburetor C3A-S31, C3A-S65

Carburetor C3A-S39, C3A-S52

Carburetor C3A-S27

Shroud

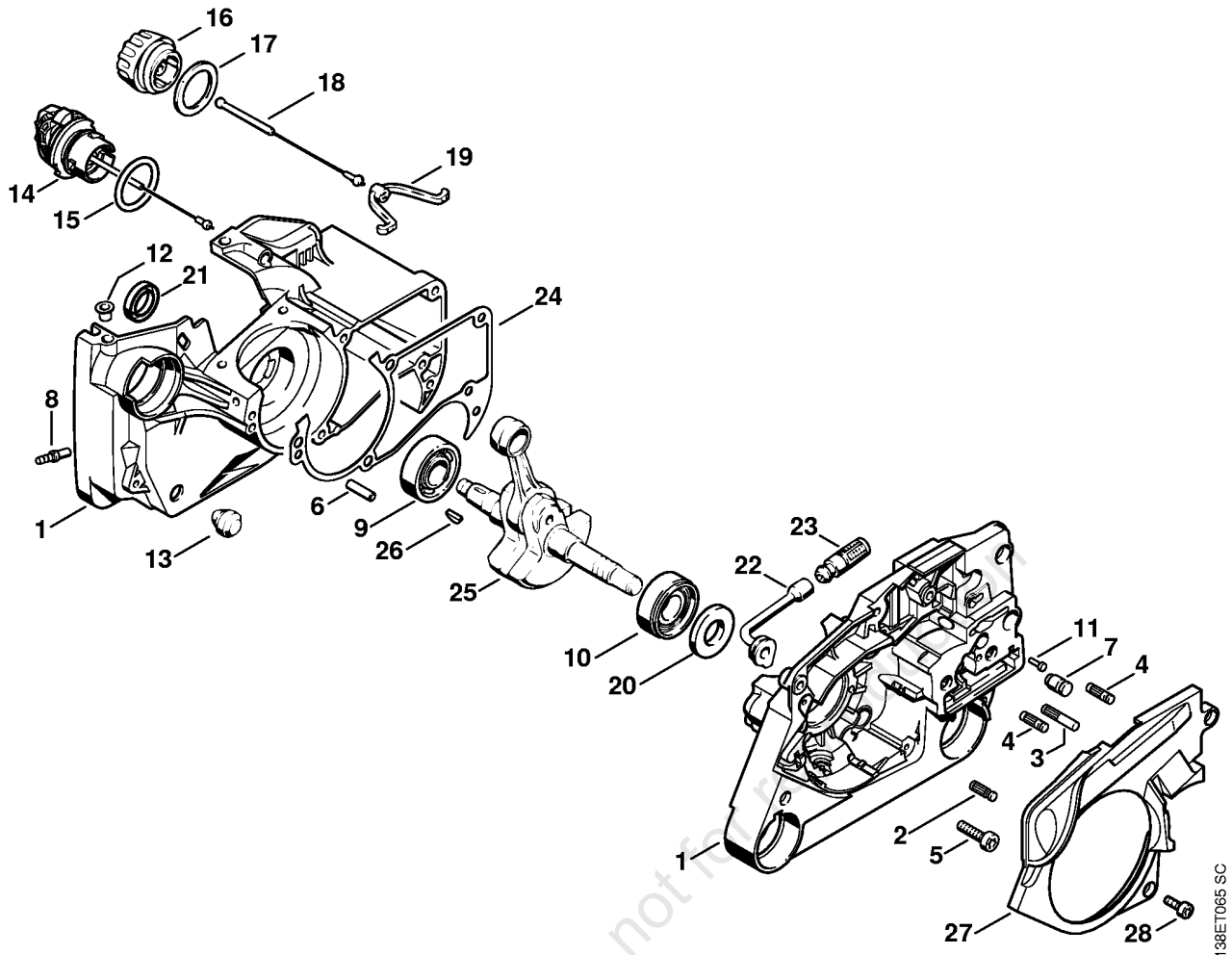
Carburetor box cover

Heating

Tools, Extras

online version, not for reproduction

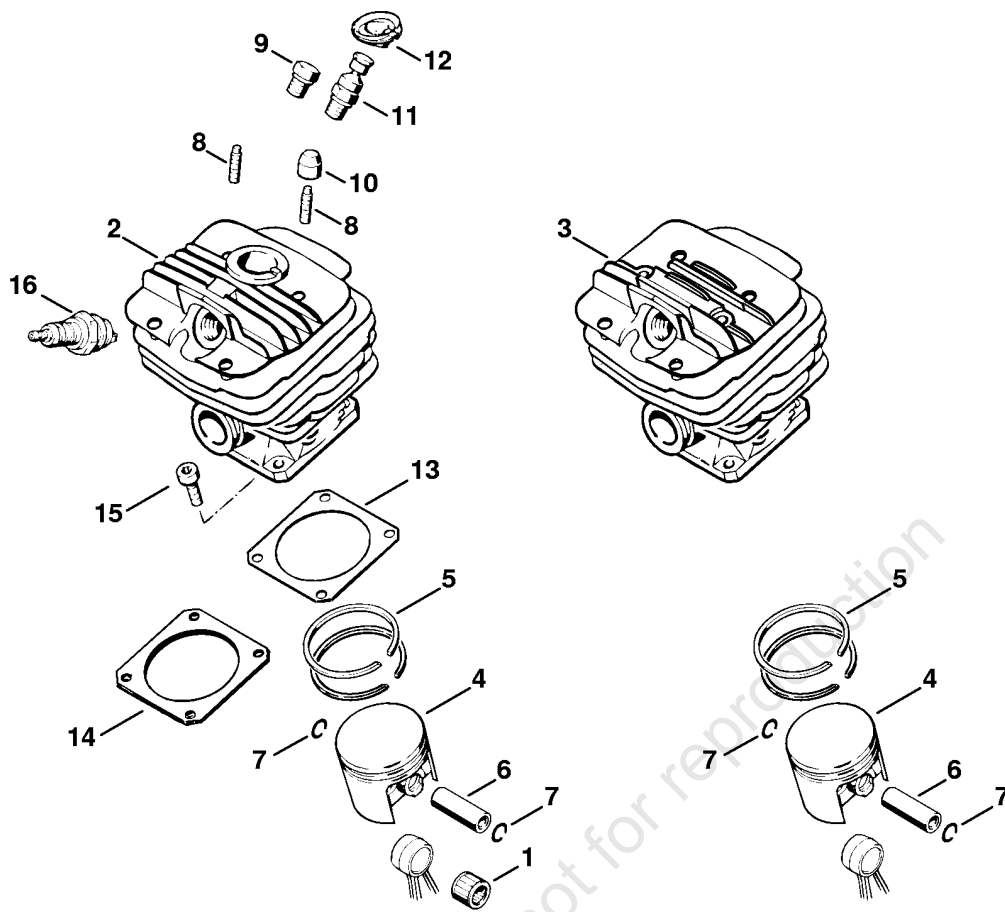
Crankcase



138ET065 SC

Crankcase

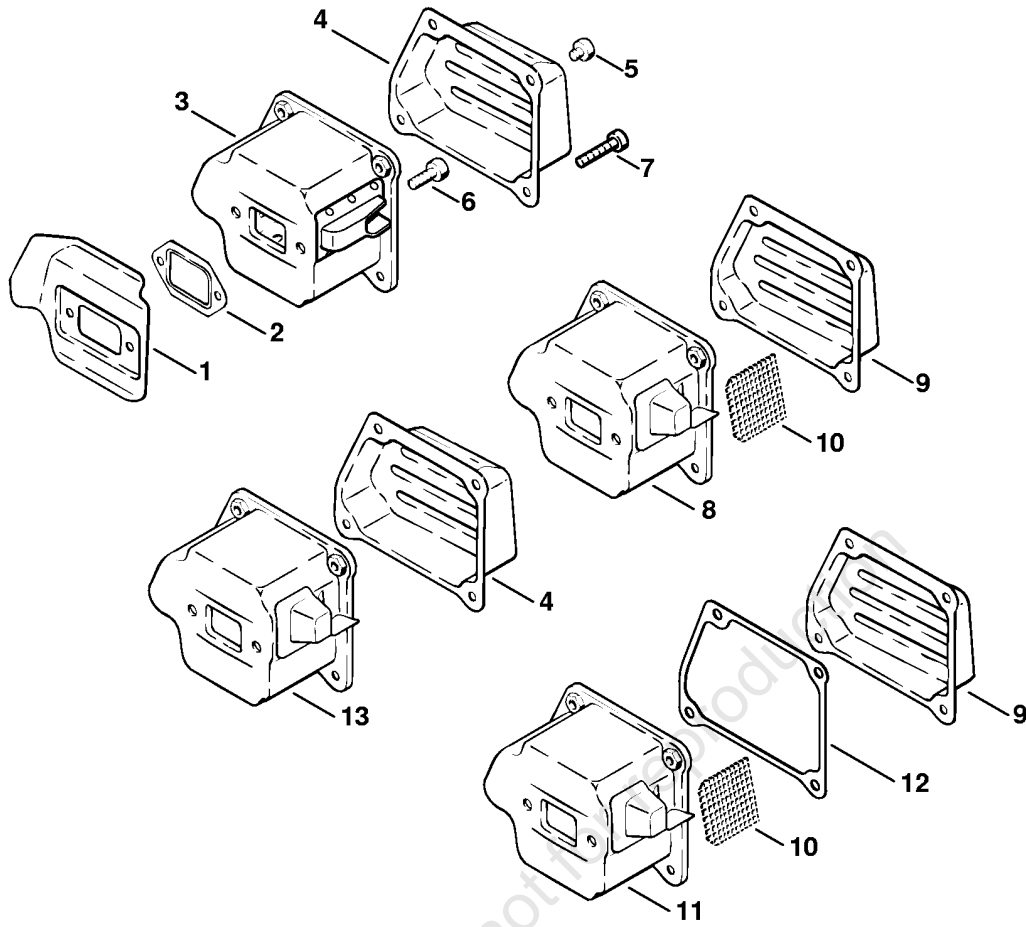
Reference	Item number	Qty	Description	Contains	Technical Information
1	1125 020 2120	1	Crankcase	2 - 13	
2	1120 162 5200	1	Pin		
3	1121 162 5205	1	Pin		
4	1121 162 5200	2	Pin		
5	9022 371 1020	5	Spline screw IS-M5x20		
6	9371 470 2610	2	Cylindrical pin 5x18		
7	1128 640 9100	1	Valve		
8	0000 988 5211	1	Connector		
9	9503 003 0346	1	Grooved ball bearing 6202		
10	9523 003 4266	1	Grooved ball bearing 15x35x13		
11	0000 974 1200	1	Notched pin 2.6x8		
12	9416 868 6531	2	Hollow rivet 6.5x0.5x6.8		
13	1125 791 2810	1	Stop buffer		
14	0000 350 0537	1	Filler cap	15	
15	9645 948 2470	1	O-ring 23x3		
16	* 0000 350 0510	1	Filler cap	17 - 19	
17	* 0000 359 1210	1	Sealing ring		
18	* 0000 350 0900	1	Rope		
19	* 0000 353 0600	1	Hook		
20	9640 003 1600	1	Oil seal 15x29.6x4		
21	9640 003 1190	1	Oil seal 12x20x5		
22	1122 647 9400	1	Hose		
23	1117 640 3800	1	Pickup body		
24	1125 029 0500	1	Gasket		
25	1125 030 0407	1	Crankshaft	26	25.2005
26	1120 036 8500	1	Woodruff key 2x3.7		
27	1125 021 1101	1	Cover		
28	9022 313 0660	3	Spline screw IS-M4x12		
	1125 007 1050	1	Set of gaskets	20, 21, 24	



174ET022 SC

Cylinder

Reference	Item number	Qty	Description	Contains	Up to
1	9512 003 2340	1	Needle cage 10x14x13		
2	1125 020 1215	1	Cylinder with piston Ø 48 mm	4 - 9	
3	1125 020 1206	1	Cylinder with piston Ø 48 mm (3)	4 - 7	
4	1125 030 2001	1	Piston Ø 48 mm	5 - 7	
5	1125 034 3001	2	Piston ring Ø 48x1.2 mm		
6	1125 034 1500	1	Piston pin 10x6x32		
7	9463 650 1000	2	Snap ring 10		
8	0000 953 0818	2	Stud M5		
9	* 1122 025 2200	1	Plug		32622639
10	1121 084 7100	1	Cap		
11	1128 020 9400	1	Decompression valve		
12	1122 084 1405	1	Cover		
13	1119 029 2301	1	Cylinder gasket 0.5 mm		
14	1125 029 2301	1	Cylinder gasket 1 mm low compression		
15	9022 371 1020	4	Spline screw IS-M5x20		
16	1110 400 7005	1	Spark plug Bosch WSR 6 F		
16	0000 400 7000	1	Spark plug NGK BPMR7A		
	1125 007 1050	1	Set of gaskets	13	



174ET023 SC

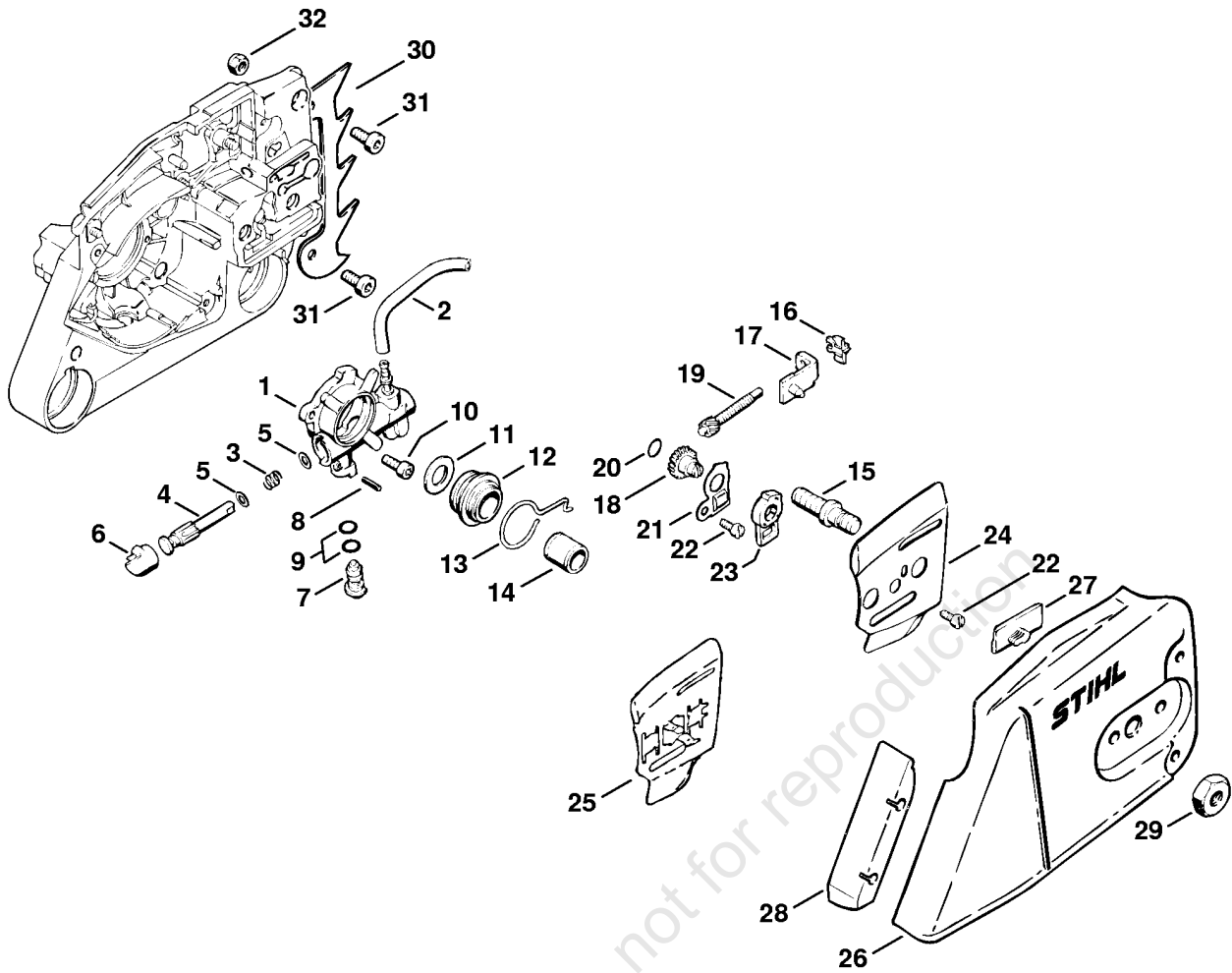
(1) 036, (2) 036 Arctic, (3) 036 BR, (4) 036 Pro, (5) 036 W, (6) 036 WVH

Muffler

Reference	Item number	Qty	Description	Contains
1	1125 141 3200	1	Cooling plate	
2	1125 149 0601	1	Muffler gasket	
3	1125 140 0607	1	Muffler TR (1,5,6)	4
4	1125 145 0804	1	Exhaust casing TR (1,3,5,6)	
5	9022 341 0910	2	Spline screw IS-M5x6	
6	9022 341 0980	2	Spline screw IS-M5x16	
7	9022 371 1050	2	Spline screw IS-M5x25	
8	1125 140 0609	1	Muffler AUS	9, 10
8	* 1125 140 0609	1	Muffler (2,4)	9, 10
9	1125 145 0805	1	Exhaust casing AUS (2,4)	
10	1125 141 9001	1	Screen AUS (2,4)	
11	1125 140 0614	1	Muffler (2,4)	9, 10
12	1125 149 0500	1	Gasket (2,4)	
13	1125 140 0611	1	Muffler (3)	4
	1125 007 1050	1	Set of gaskets	2

online version, not for reproduction

Oil pump, Chain tensioner kit



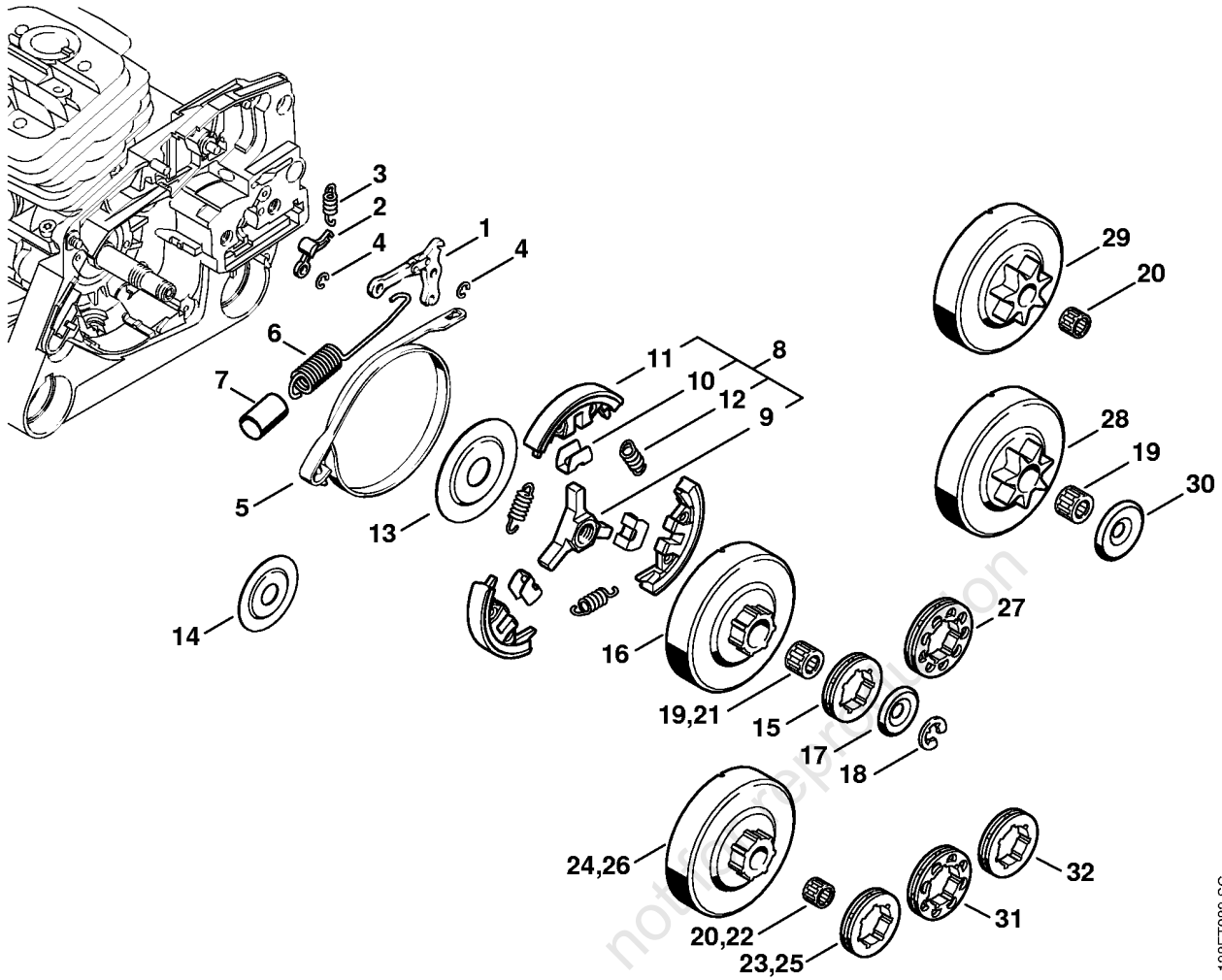
(1) 036, (2) 036 Arctic, (3) 036 BR, (4) 036 Pro, (5) 036 W, (6) 036 WVH

Oil pump, Chain tensioner kit

Reference	Item number	Qty	Description	Contains
	1125 640 3201	1	Oil pump	1 - 9
1	1125 640 3001	1	Pump housing	
	1124 007 1010	1	Oil hose kit	2
2		1	Oil hose 3,1x5,7x300 mm (D)	
3	0000 997 0629	1	Compression spring	
4	1125 647 0604	1	Pump piston	
5	0000 958 0611	2	Washer	
6	1125 647 7002	1	Plug	
7	1128 647 4806	1	Control bolt	
8	9380 620 1090	1	Roll pin 2x10	
9	9646 945 0160	2	O-ring 4x2	
10	9022 313 0660	2	Spline screw IS-M4x12	
11	1125 647 7800	1	Washer	
12	1125 640 7110	1	Worm	13
13	1125 647 2400	1	Spring	
14	0000 993 0510	1	Ring	
15	0000 953 6605	2	Collar screw M8	
16	1125 664 1400	1	Thrust pad	
17	1125 640 1900	1	Tensioner slide	
	1125 007 1021	1	Spur gear / chain adjusting screw kit	18 - 20
18		1	Spur gear (D)	
19		1	Adjusting screw (D)	
20	9646 945 0490	1	O-ring 7x1.5	
21	1122 664 2200	1	Cover plate	
22	9041 216 0630	2	Pan head screw M4x8	
23	1122 664 4500	1	Support	
24	1122 664 1000	1	Inner side plate 0.5 mm	
25	1122 664 1001	1	Inner side plate (B)	
26	1125 640 1701	1	Chain sprocket cover	27, 28
27	1121 648 6610	2	Bumper strip	
28	1125 656 1501	1	Guard	
29	0000 955 0801	2	Hexagon nut M8	
30	1110 664 0501	1	Bumper spike (1,2,4,5,6)	
30	1128 664 0500	1	Bumper spike (3)	
31	9022 341 0960	2	Spline screw IS-M5x12	
32	9214 320 0700	1	Lock nut M5	

(1) 036, (2) 036 Arctic, (3) 036 BR, (4) 036 Pro, (5) 036 W, (6) 036 WVH

Chain brake, Clutch



(1) 036, (2) 036 Arctic, (3) 036 BR, (4) 036 Pro, (5) 036 W, (6) 036 WVH

Chain brake, Clutch

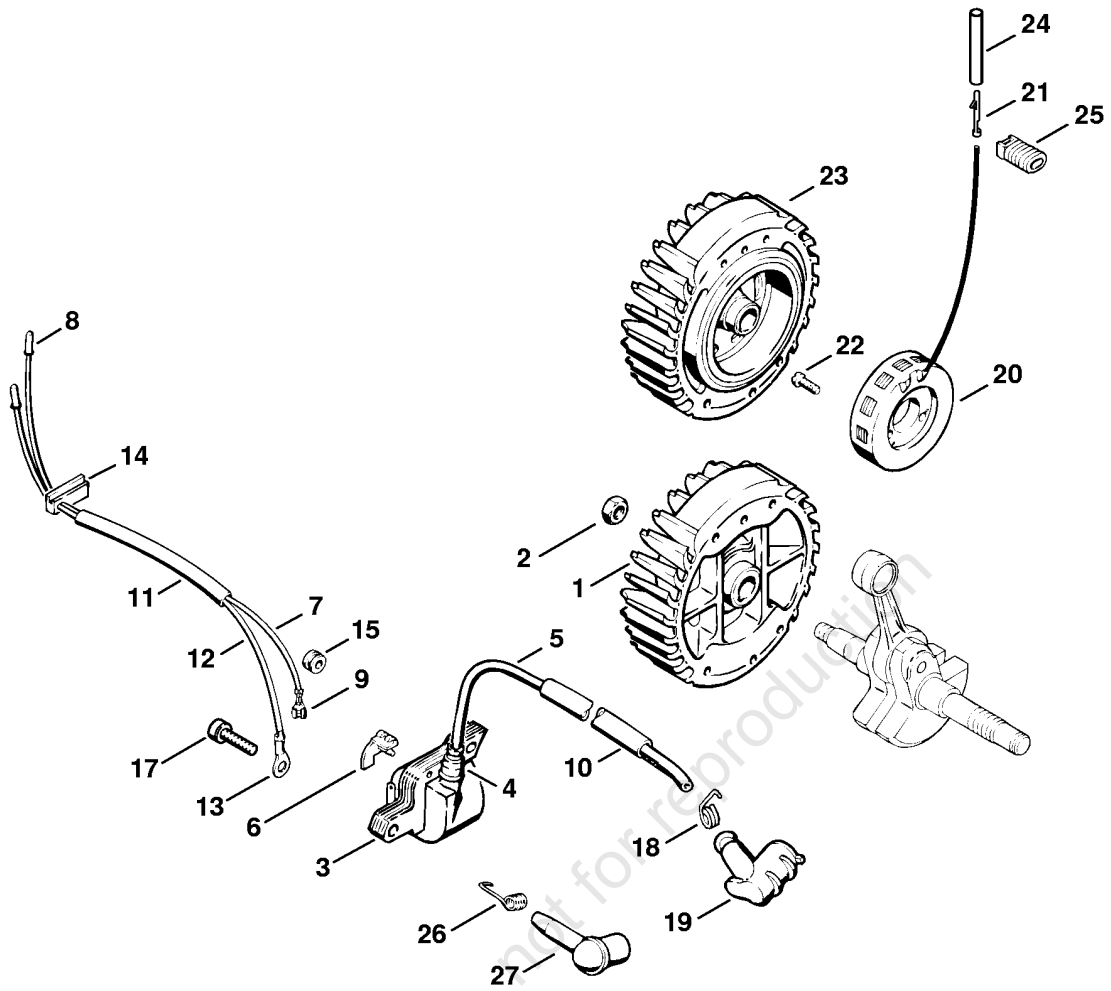
Reference	Item number	Qty	Description	Contains	Up to
1	1121 160 5000	1	Lever		
2	1121 162 5010	1	Lever		
3	0000 997 0628	1	Spring		
4	9460 624 0400	2	E-clip 4		
5	1125 160 5400	1	Brake band		
6	1121 160 5500	1	Tension spring	7	
7	1125 162 8002	1	Hose 20 mm / 13/16"		
	1125 160 2052	1	Clutch	8 - 13	
8	1125 160 2006	1	Clutch	9 - 12	
9	1125 162 3202	1	Carrier		
10	1128 162 3000	3	Retainer		
11	1128 162 0807	3	Clutch shoe		
12	0000 997 5815	3	Tension spring		
13	1128 162 1001	1	Cover washer 58 mm / 2 5/16"		
14	* 1128 162 1000	1	Cover washer 43 mm / 1 3/4"		
	1125 007 1041	1	Rim sprocket kit 3/8" 7T (1,3,4,5,6)	15 - 19	
15	0000 642 1223	1	Rim sprocket 3/8" 7T		
16		1	Clutch drum (D)		
17	0000 958 1022	1	Washer Ø 27 mm		
18	9460 624 0801	1	E-clip 8x1.3		
19	9512 933 2380	1	Needle cage 10x16x12 (1,3,4,5,6)		
20	* 9512 933 2260	1	Needle cage 10x13x10 (1,3,4,5,6)		149398334
21	9512 933 2381	1	Needle cage 10x16x12 (2)		
22	* 9512 003 2260	1	Needle cage 10x13x10 (2)		149398334
	* 1125 007 1002	1	Rim sprocket kit 3/8" 7T (1,3,4,5,6)	17, 18, 23, 24	149398334
23	* 0000 642 1231	1	Rim sprocket 3/8" 7T (1,3,4,5,6)		149398334
24	*	1	Clutch drum (D)		149398334
	* 1125 007 1040	1	Rim sprocket kit 3/8" 7T (2)	17, 18, 25, 26	149398334
25	* 0000 642 1249	1	Rim sprocket 3/8" 7T (2)		149398334
26	*	1	Clutch drum (D)		
	1125 007 1003	1	Rim sprocket kit 0.325" 9T Skand.	16 - 19, 27	
27	0000 642 1239	1	Rim sprocket 0.325" 9T Skand.		
28	1125 640 2006	1	Chain sprocket 3/8" 7T TR		
29	* 1125 640 2004	1	Chain sprocket 3/8" 7T TR		149398334
30	0000 958 1022	1	Washer Ø 27 mm TR		
	* 1125 007 1000	1	Rim sprocket kit 0.325" 8T Skand.	17, 18, 26, 31	149398334
31	* 0000 642 1234	1	Rim sprocket 0.325" 8T Skand.		149398334
	* 1125 007 1001	1	Rim sprocket kit 0.325" 7T	17, 18, 26, 32	149398334

(1) 036, (2) 036 Arctic, (3) 036 BR, (4) 036 Pro, (5) 036 W, (6) 036 WVH

Chain brake, Clutch

Reference	Item number	Qty	Description	Contains	Up to
32	* 0000 642 1236	1	Rim sprocket 0.325" 7T		149398334

online version, not for reproduction



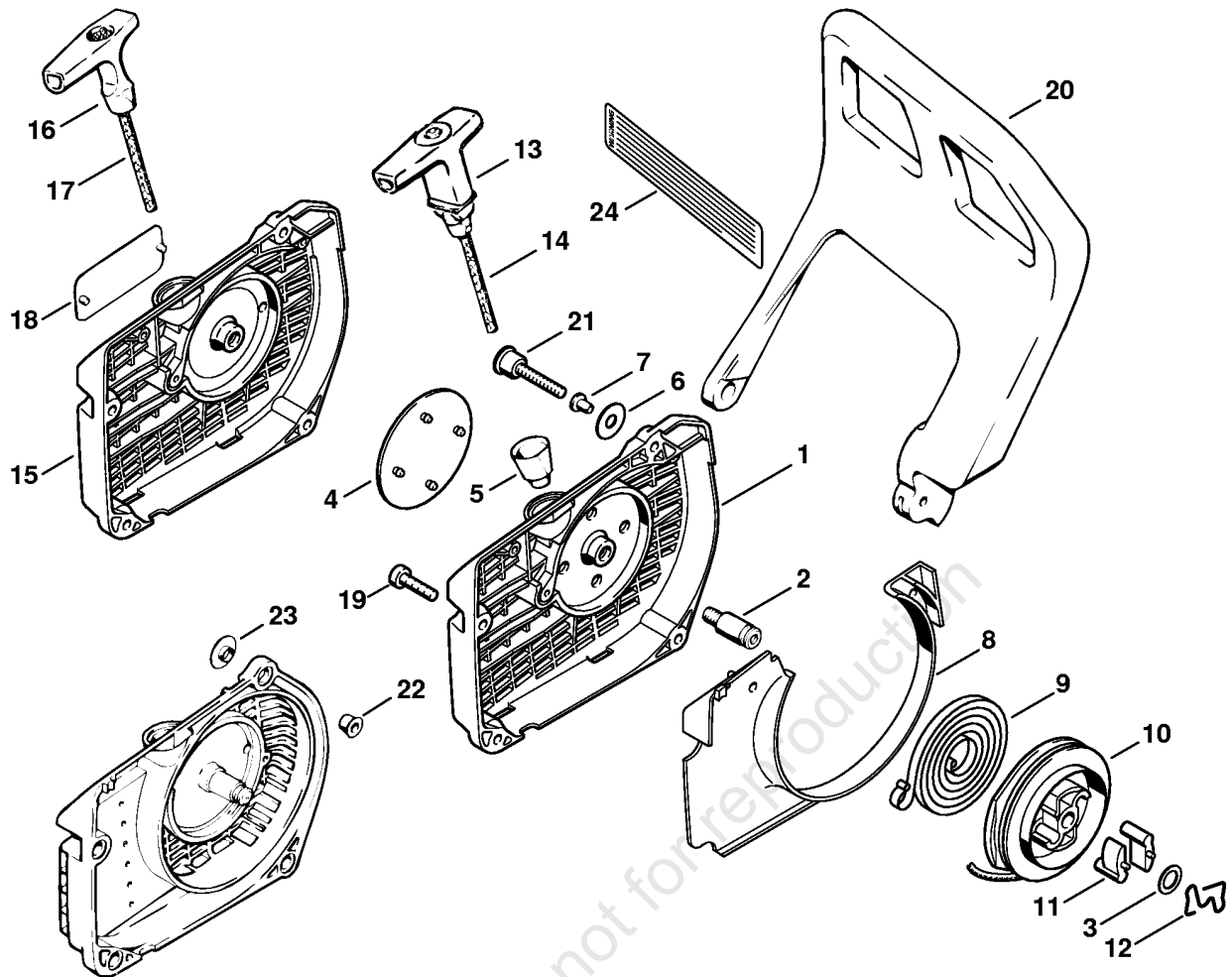
138ET053 SC

(1) 036, (2) 036 Arctic, (3) 036 BR, (4) 036 Pro, (5) 036 W, (6) 036 WVH

Ignition system

Reference	Item number	Qty	Description	Contains	Technical Information
1	1125 400 1202	1	Flywheel (1,3,4)		25.2005
2	0000 955 0802	1	Collar nut M8x1		
3	0000 400 1300	1	Ignition module	4 - 6	
4	0000 989 1010	1	Grommet		
5		1	Ignition lead 195 mm		
	0000 405 0600	1	Ignition lead 1 m (B)		
	0000 930 2251	1	Ignition lead 10 m		
6	0000 448 1250	1	Lead retainer		
7	1125 440 1100	1	Short circuit wire 270 mm / 10.6"	8, 9	
8	1119 442 7000	1	Contact sleeve (C)		
9	0751 030 8957	1	Terminal socket 4.8-1/0.8 (C)		
10	1117 442 0905	1	Insulating hose 110 mm / 4.3"		
11	1125 442 0400	1	Insulating hose 120 mm / 4.7"		
12	1125 440 2200	1	Ground wire	8, 13	
13	0751 030 8969	1	Terminal socket A5-1.5 (C)		
	0751 010 1110	1	Cable 10 m (B)		
14	1125 123 7500	1	Grommet		
15	1125 084 8900	1	Grommet		
17	9022 341 1019	2	Spline screw IS-M5x20		
18	0000 998 0604	1	Spark plug contact spring		
19	1128 405 1000	1	Spark plug boot		
20	1128 404 3500	1	Generator (2,5,6)	21	
21	1118 431 6600	1	Terminal pin (C) (2,5,6)		
22	9041 216 0540	3	Pan head screw M3.5x12 (2,5,6)		
23	1125 400 1208	1	Flywheel (2,5,6)		25.2005
24	1121 442 0402	1	Insulating hose 35 mm / 1.4" (2,5,6)		
25	* 1121 405 1900	1	Support (2,5,6)		
26	* 0000 998 0603	1	Torsion spring		
27	* 1106 405 1000	1	Spark plug boot		

Rewind starter

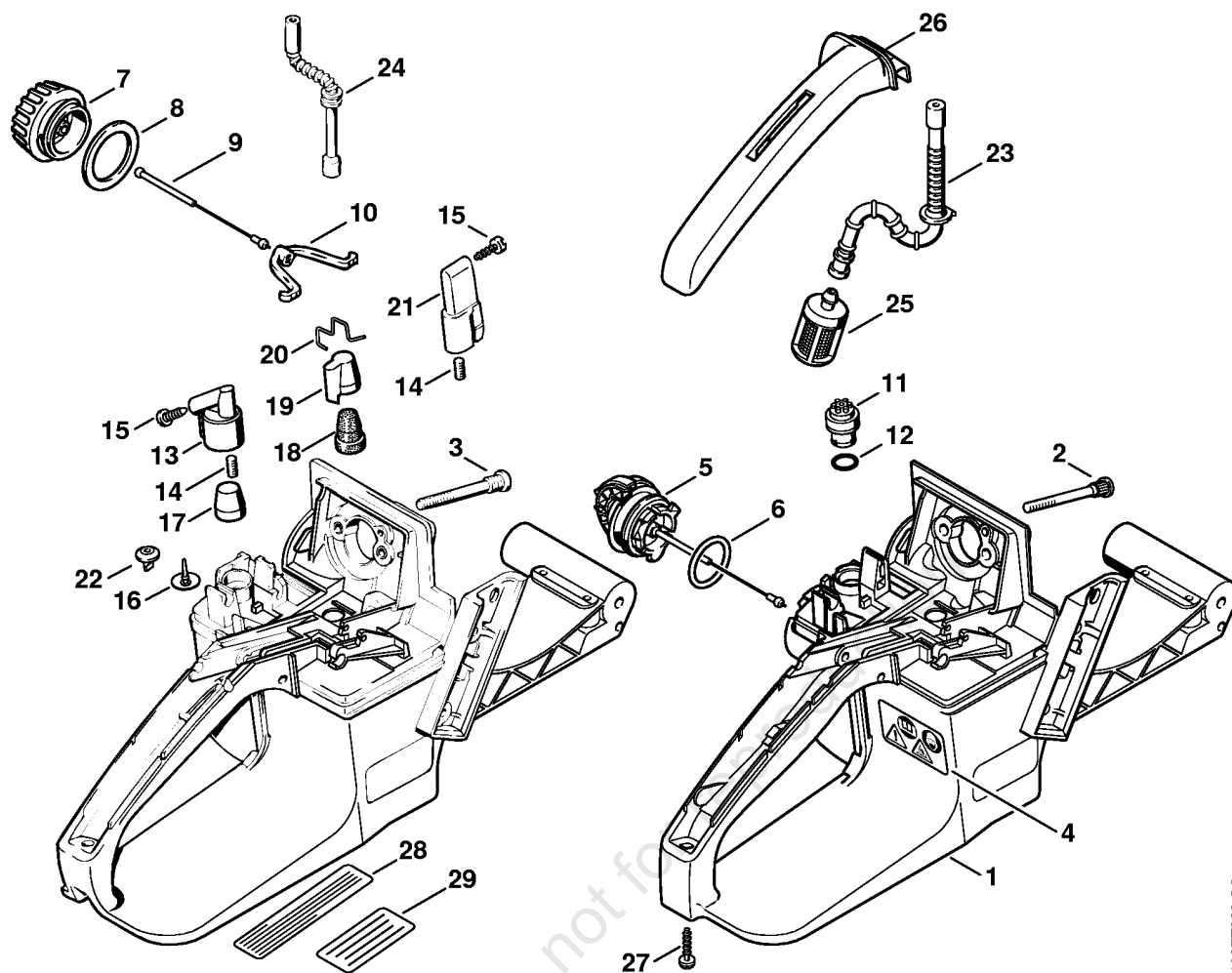


138ET082 SC

(1) 036, (2) 036 Arctic, (3) 036 BR, (4) 036 Pro, (5) 036 W, (6) 036 WVH

Rewind starter

Reference	Item number	Qty	Description	Contains	Up to
	1125 080 2105	1	Fan housing with rewind starter	1 - 14	
1	1125 080 1830	1	Fan housing	2 - 8	
2	1128 080 6500	1	Axle	3	
3	0000 958 0923	1	Washer		
4	0000 967 1500	1	Nameplate STIHL		
5	1110 084 9102	1	Bushing		
6	0000 958 0601	1	Washer		
7	9416 868 6530	1	Hollow rivet 6.5x0.5x6.8		
8	1125 084 7801	1	Segment		
9	1129 190 0601	1	Rewind spring		
10	1128 195 0400	1	Rope rotor		
11	1125 195 7200	2	Pawl		
12	1128 195 3500	1	Spring		
13	1128 190 3400	1	Starter grip ElastoStart Ø 3,5 mm	14	
14	1128 190 2900	1	Starter rope Ø 3.5 mm		
	0000 930 2267	1	Starter rope Ø 3.5 mm / 28 pieces (B)		
	* 1125 080 2103	1	Fan housing with rewind starter (3)	5 - 12, 15 - 17	
15	* 1125 080 1818	1	Fan housing (C) (3)	5 - 7	
16	* 1121 195 3400	1	Starter grip (3)		
17	* 1113 195 8200	1	Starter rope Ø 3.5x960 mm (3)		
	* 0000 930 2203	1	Starter rope Ø 3.5 mm x 30.5 m (B) (3)		
	* 0000 930 2212	1	Starter rope Ø 3.5 mm x 60.8 m (B) (3)		
18	* 0000 967 2035	1	Nameplate STIHL		
19	9022 371 1020	3	Spline screw IS-M5x20		
20	1125 792 9100	1	Hand guard		
21	0000 790 6103	1	Screw assy. M5		
22	* 0000 963 0809	4	Bushing		146288927
23	* 1125 084 6400	1	Sleeve		146288927
24	0000 967 3630	1	Instruction label USA		



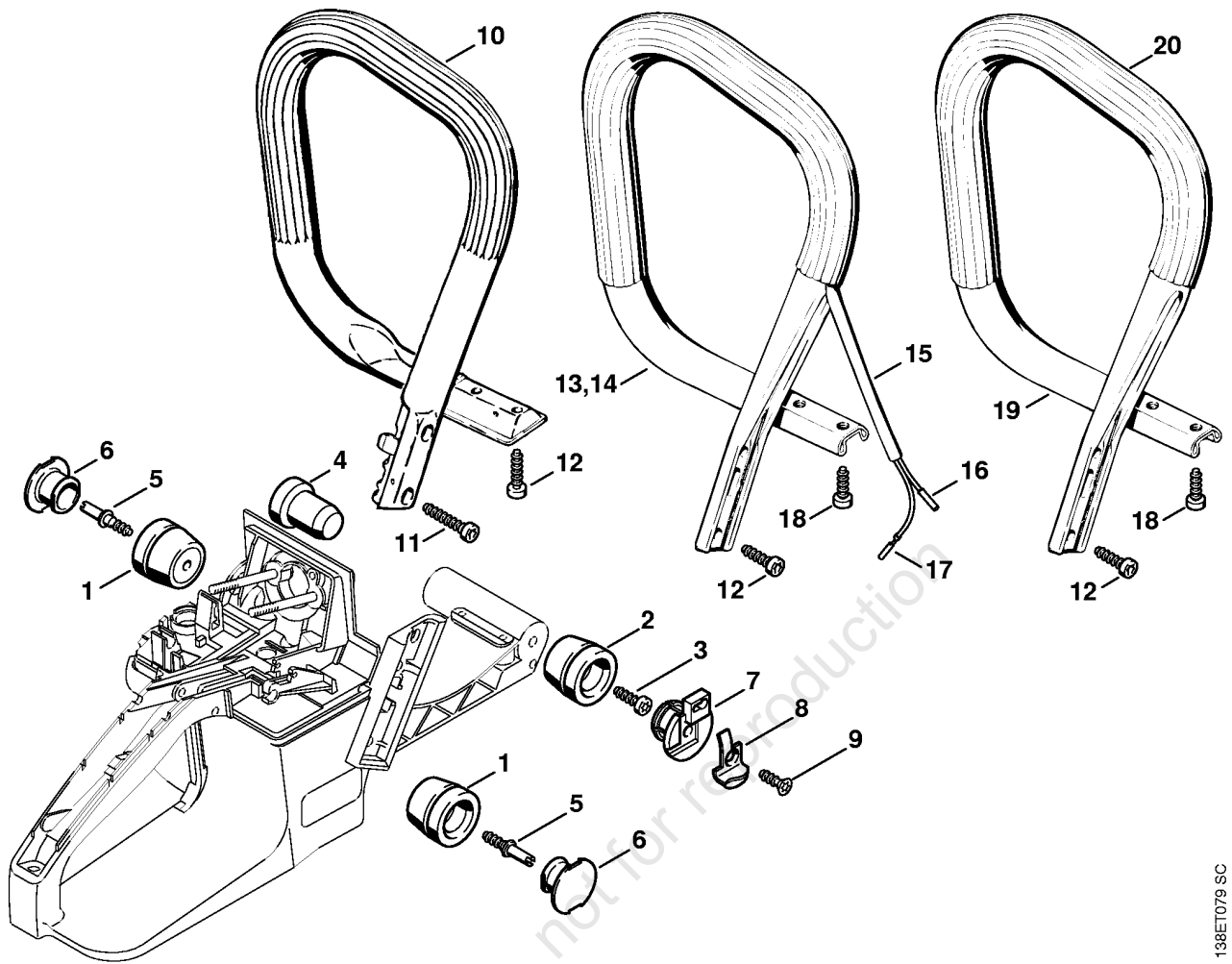
138ET080 SC

(1) 036, (2) 036 Arctic, (3) 036 BR, (4) 036 Pro, (5) 036 W, (6) 036 WVH

Tank housing

Reference	Item number	Qty	Description	Contains	Up to
1	1125 350 0818	1	Tank housing	2, 4 - 6, 11, 12	
2	4116 122 6600	2	Collar screw		
3	* 1125 122 6600	2	Collar screw		32622639
4	0000 967 3662	1	Warning pictogram MS		
5	0000 350 0533	1	Filler cap	6	
6	9645 948 7734	1	O-ring 25x3.5		
7	* 0000 350 0520	1	Filler cap	8 - 10	
8	* 0000 359 1220	1	Sealing ring		
9	* 0000 350 0900	1	Rope		
10	* 0000 353 0600	1	Hook		
11	0000 350 5800	1	Tank vent	12	
12		1	O-ring (D)		
13	* 1121 350 5802	1	Tank vent	14, 15	
14	* 1120 358 8105	1	Vent insert		
15	* 9099 021 2770	1	Self-tapping screw 3.9x13		
16	* 1110 353 1600	1	Valve		
17	* 1122 358 1800	1	Filter		
18	* 1121 358 1800	1	Filter		147472308
19	* 1121 358 2500	1	Cap		147472308
20	* 1125 358 1000	1	Clip		147472308
21	* 1121 350 5800	1	Tank vent	14, 15	32185625
22	* 4114 353 1600	1	Valve		32185625
23	1127 358 7703	1	Hose		
24	* 1119 358 7701	1	Hose		
25	0000 350 3518	1	Pickup body		
26	1121 791 0600	1	Handle molding		
27	9074 478 3076	1	Pan head self-tapping screw IS-P4x19		
28	0000 967 3500	1	Instruction label USA (4)		
29		1	Instruction label (C) BR (3)		

AV system, Handlebar

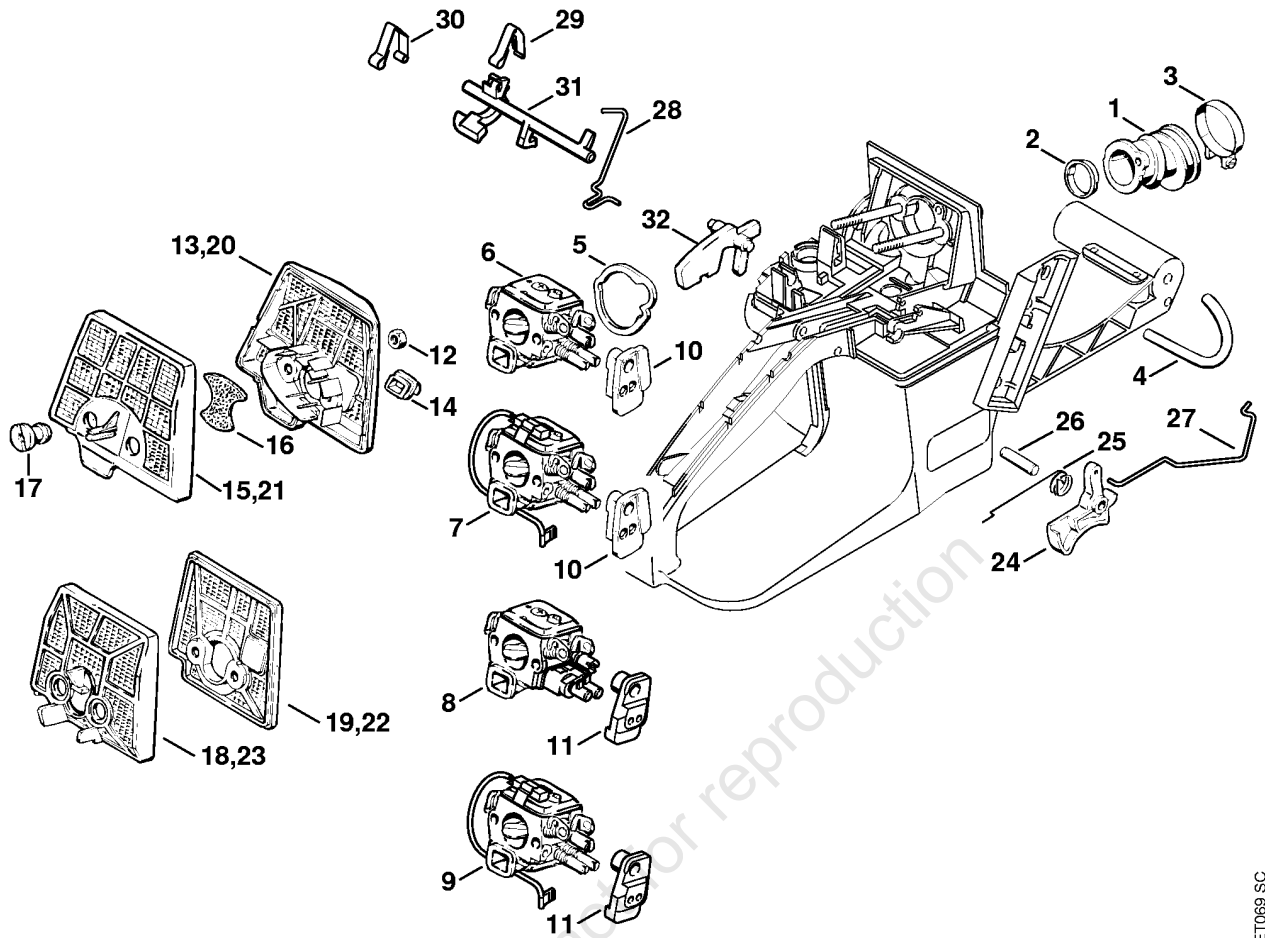


138ET079 SC

(1) 036, (2) 036 Arctic, (3) 036 BR, (4) 036 Pro, (5) 036 W, (6) 036 WVH

AV system, Handlebar

Reference	Item number	Qty	Description	Contains
		1	AV system normal:	
1	1125 790 9904	2	Annular buffer 1125/04	
2	1125 790 9906	1	Annular buffer 1125/06	
		1	AV system hard:	
1	1125 790 9910	2	Annular buffer 1125/10	
2	1125 790 9904	1	Annular buffer 1125/04	
		1	AV system soft:	
1	1125 790 9906	2	Annular buffer 1125/06	
2	1125 790 9906	1	Annular buffer 1125/06	
3	9074 478 4435	1	Pan head self-tapping screw IS-P6x19	
4	1125 791 2805	1	Stop buffer	
5	1125 791 6200	2	Screw	
6	1125 791 7306	2	Plug	
7	1125 791 7300	1	Plug	
8	1125 650 7700	1	Chain catcher	9
9	9104 003 3065	1	Self-tapping screw P6.3x18	
10	1125 790 1750	1	Handlebar (1,3,4)	11, 12
11	9074 478 4675	2	Pan head self-tapping screw IS-P6x32.5 (1,3,4)	
12	9074 478 4475	2	Pan head self-tapping screw IS-P6x21.5	
13	1125 790 1702	1	Handlebar (2,5,6)	15 - 17
14	* 1125 790 1707	1	Handlebar (2,5,6)	15 - 17
15	1124 442 0400	1	Insulating hose 160 mm / 6.3" (2,5,6)	
16	0000 442 7000	1	Contact sleeve (C) (2,5,6)	
17	1118 431 6700	1	Terminal socket (C) (2,5,6)	
18	9074 478 4435	2	Pan head self-tapping screw IS-P6x19 (2,5,6)	
19	1125 790 1751	1	Handlebar (B) (3)	12, 18, 20
20	0000 791 2009	1	Handle hose Ø 19 mm x 5 m / 3/4x197" (B) (3)	

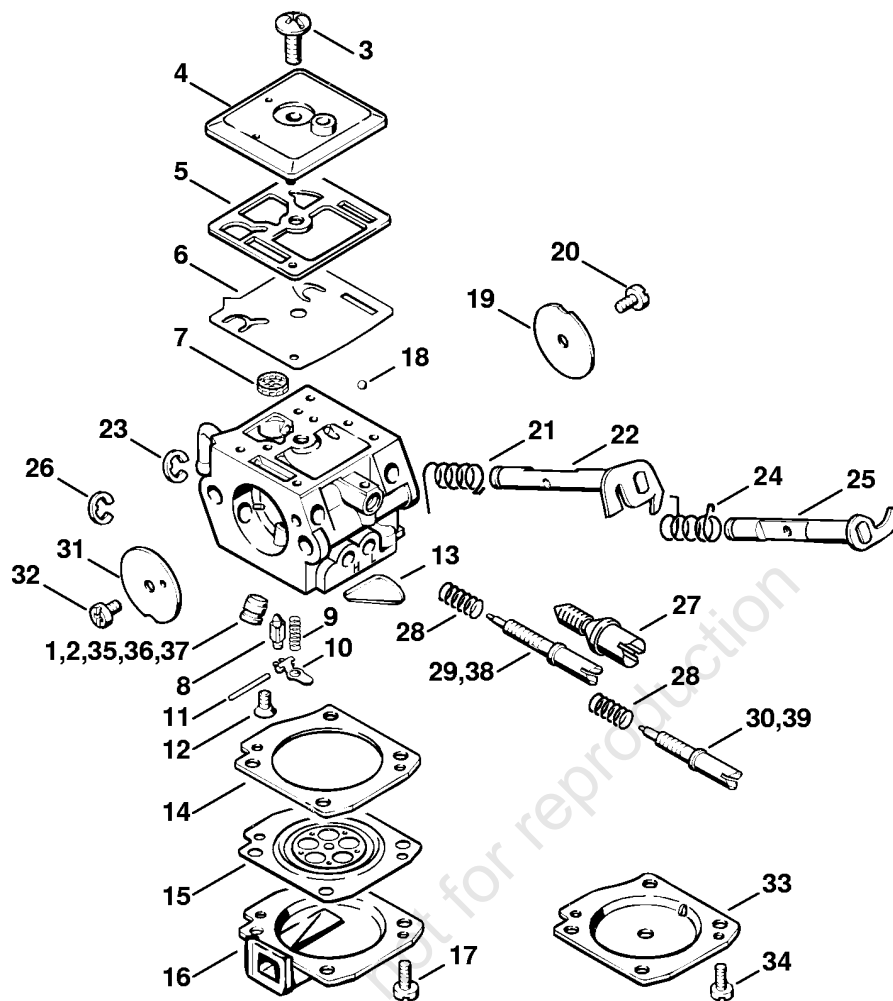


(1) 036, (2) 036 Arctic, (3) 036 BR, (4) 036 Pro, (5) 036 W, (6) 036 WVH

Air filter

Reference	Item number	Qty	Description	Contains	Up to
1	1125 141 2200	1	Manifold		
2	1119 141 1800	1	Sleeve		
3	9771 021 2580	1	Hose clip Ø 34x7		
4		1	Hose 3.1x6.7x102 mm (D)		
	0000 930 2804	1	Hose 3.1x6.7 mm x 1 m (A,B)		
5	1119 121 8600	1	Washer		
6	1125 120 0613	1	Carburetor C3A-S31G (1,5)		
6	1125 120 0614	1	Carburetor C3A-S65B (3)		
7	1125 120 0609	1	Carburetor C3A-S27D (6)		
8	1125 120 0615	1	Carburetor C3A-S39C (4)		
9	1125 120 0612	1	Carburetor C3-S52 (2)		
10	1125 123 7506	1	Grommet (1,3,5,6)		
11	1125 123 7501	1	Grommet (2,4)		
12	9210 260 0700	2	Hexagon nut M5		
	1125 120 1612	1	Air filter (1,2,3,5,6)	13 - 17	
13	1125 120 1602	1	Air filter (1,2,3,5,6)	14	
14	1125 121 9100	1	Bushing		
15	1125 120 1607	1	Air filter (1,2,3,5,6)	16	
16	1125 122 4900	1	Filter insert		
17	1125 141 8300	2	Slotted nut		
	* 1125 120 1610	1	Air filter (1,5,6)	18, 19	32622639
18	* 1125 120 1605	1	Air filter (1,5,6)		32622639
19	* 1125 120 1600	1	Air filter (1,5,6)		32622639
	1125 120 1626	1	Air filter, fleece (4)	14, 16, 20, 21	
20	1125 120 1617	1	Air filter, fleece (4)	14	
21	1125 120 1622	1	Air filter, fleece (4)	16	
22	* 1125 120 1615	1	Air filter, fleece (4)		32622639
23	* 1125 120 1620	1	Air filter, fleece (4)		32622639
24	1118 182 1006	1	Throttle trigger		
25	1117 182 4500	1	Torsion spring		
26	9371 470 2640	1	Cylindrical pin 5x24		
27	1125 182 1502	1	Throttle rod		
28	1125 185 2002	1	Choke rod		
29	1125 442 1601	1	Contact spring		
30	* 1125 442 1600	1	Contact spring		
31	1125 182 0901	1	Switch shaft		
32	1117 182 0805	1	Lockout lever		

(1) 036, (2) 036 Arctic, (3) 036 BR, (4) 036 Pro, (5) 036 W, (6) 036 WVH



(1) 036, (2) 036 Arctic, (3) 036 BR, (4) 036 Pro, (5) 036 W, (6) 036 WVH

Carburetor C3A-S31, C3A-S65

Reference	Item number	Qty	Description	Contains	Up to
	1125 120 0613	1	Carburetor C3A-S31G (1,5)	1, 3 - 32	
	1125 120 0614	1	Carburetor C3A-S65B (3)	2 - 32	
1	1125 121 5408	1	Valve jet 0.58 (1,5)		
2	1125 121 5410	1	Valve jet 0.65 (3)		
3	1120 122 7800	1	Oval head screw (1,3,5)		
4	1125 121 0802	1	End cover (1,3,5)		
5	1125 129 0900	1	Gasket (1,3,5)		
6	1128 121 4802	1	Pump diaphragm (1,3,5)		
7	1123 121 7800	1	Strainer (1,3,5)		
8	Z000 018 Z000	1	Inlet needle (1,3,5)		
9	1120 122 3004	1	Spring (1,3,5)		
10	1125 121 5000	1	Inlet control lever (1,3,5)		
11	1120 121 9200	1	Spindle (1,3,5)		
12	1120 122 6600	1	Collar screw (1,3,5)		
13	1123 121 0700	1	Cup plug (1,3,5)		
14	1125 129 0901	1	Gasket (1,3,5)		
15	1125 121 4700	1	Metering diaphragm (1,3,5)		
16	1125 121 0804	1	End cover (1,3,5)		
17	1120 122 6601	4	Collar screw (1,3,5)		
18	1125 122 4200	1	Clamp (1,3,5)		
19	1125 121 3301	1	Throttle shutter (1,3,5)		
20	1125 122 7402	1	Round head screw (1,3,5)		
21	1125 122 3202	1	Torsion spring (1,3,5)		
22	1125 120 7101	1	Throttle shaft with lever (1,3,5)		
23	1125 122 9001	1	E-clip (1,3,5)		
24	1125 122 3203	1	Torsion spring (1,3,5)		
25	1125 120 7201	1	Choke shaft with lever (1,3,5)		
26	1125 122 9003	1	E-clip (1,3,5)		
27	1125 122 6200	1	Idle speed screw (1,3,5)		
28	1120 122 3005	2	Spring (1,3,5)		
29	1125 122 6802	1	Low speed screw (1,3,5)		
30	1125 122 6702	1	High speed screw (1,3,5)		
31	1125 121 2901	1	Choke shutter (1,3,5)		
32	1125 122 7403	1	Round head screw (1,3,5)		
33	* 1125 121 0803	1	End cover (1,3,5)		32622639
34	* 4132 122 6600	4	Collar screw (1,3,5)		32622639
35	1125 121 5409	1	Valve jet 0.56 (B) High altitude (1,5)		
36	* 1125 121 5404	1	Valve jet (1,5)		37391587

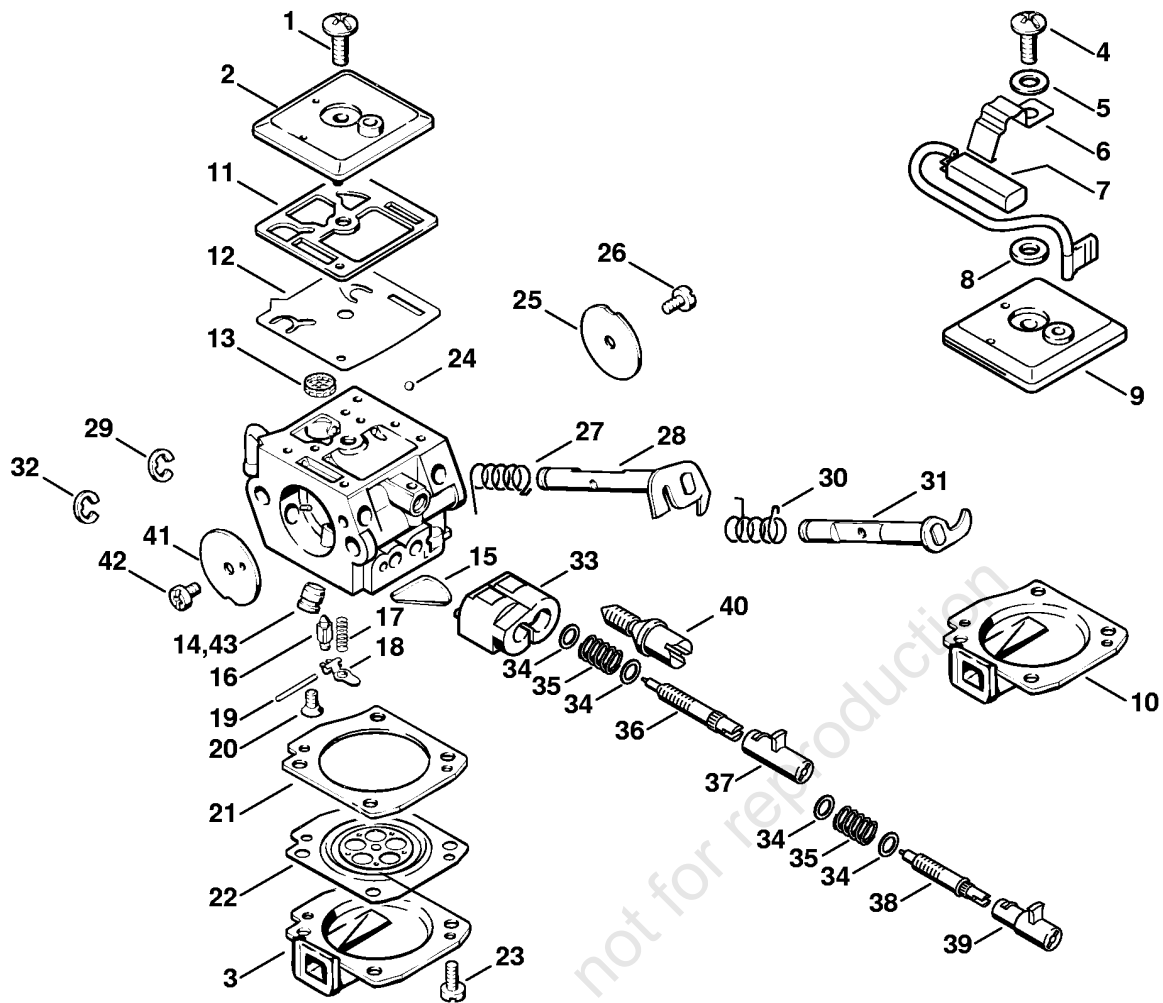
(1) 036, (2) 036 Arctic, (3) 036 BR, (4) 036 Pro, (5) 036 W, (6) 036 WVH

Carburetor C3A-S31, C3A-S65

Reference		Item number	Qty	Description	Contains	Up to
37	*	1125 121 5402	1	Valve jet 0.60 (1,5)		35047483
38	*	1125 122 6801	1	Low speed screw (1,5)		35047483
39	*	1125 122 6701	1	High speed screw (1,5)		35047483
		1128 007 1065	1	Set of carburetor parts (1,3,5)	5 - 10, 14, 15	

online version, not for reproduction

Carburetor C3A-S39, C3A-S52



174ET010 SC

(1) 036, (2) 036 Arctic, (3) 036 BR, (4) 036 Pro, (5) 036 W, (6) 036 WVH

Carburetor C3A-S39, C3A-S52

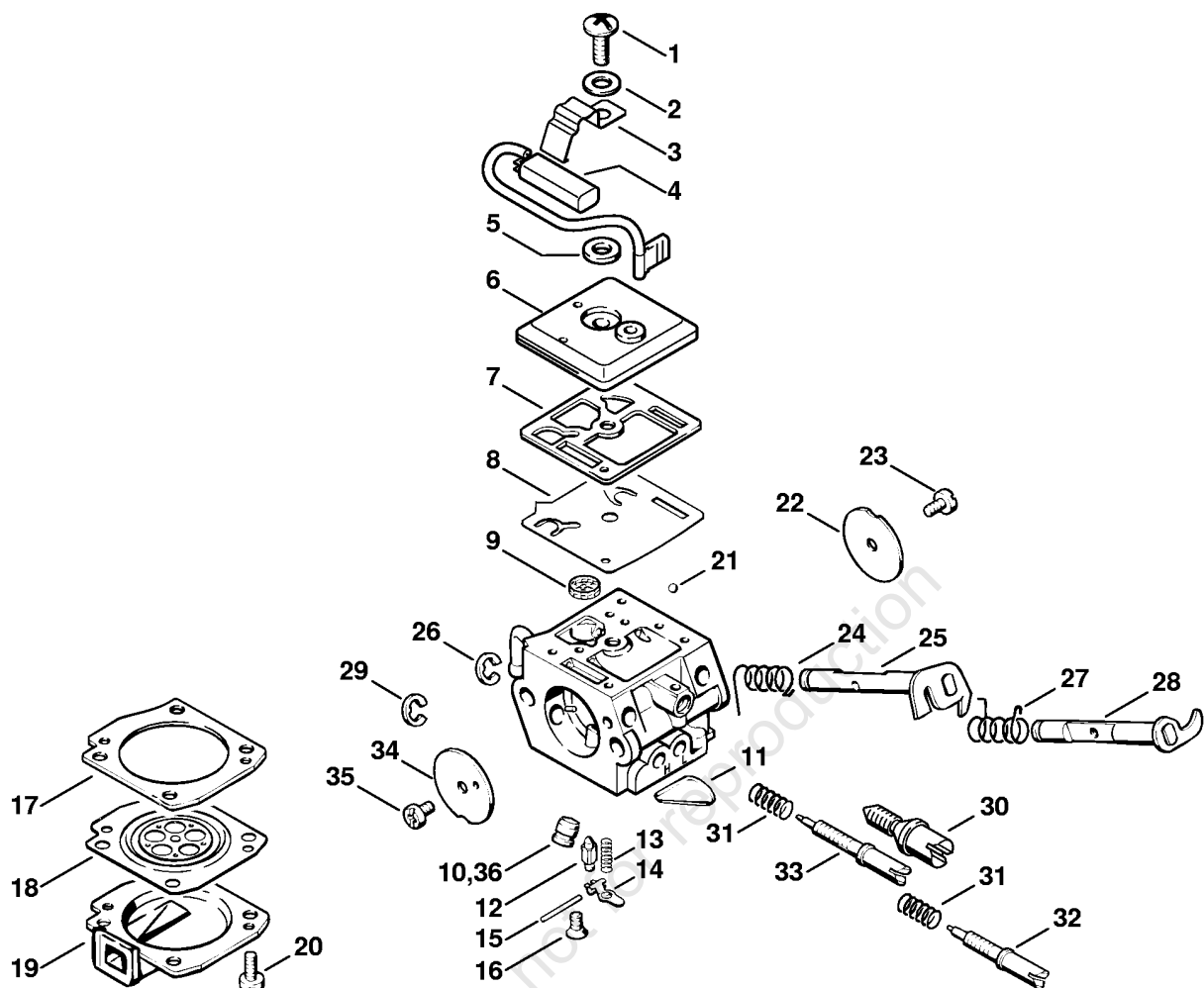
Reference	Item number	Qty	Description	Contains
	1125 120 0615	1	Carburetor C3A-S39C (4)	1 - 3, 11 - 42
1	1120 122 7800	1	Oval head screw (4)	
2	1125 121 0802	1	End cover (4)	
3	1125 121 0804	1	End cover (4)	
	1125 120 0612	1	Carburetor C3-S52 (2)	4 - 42
4	1128 122 7700	1	Oval head screw (2)	
5	1128 122 1502	1	Washer (2)	
6	1128 122 9301	1	Clip (2)	
7	1125 430 0500	1	Switch (2)	
8	1128 122 1501	1	Washer (2)	
9	1125 121 0807	1	End cover (2)	
10	1125 121 0805	1	End cover (2)	
11	1125 129 0900	1	Gasket (2,4)	
12	1128 121 4802	1	Pump diaphragm (2,4)	
13	1123 121 7800	1	Strainer (2,4)	
14	1125 121 5408	1	Valve jet 0.58 (2,4)	
15	1123 121 0700	1	Cup plug (2,4)	
16	Z000 018 Z000	1	Inlet needle (2,4)	
17	1120 122 3004	1	Spring (2,4)	
18	1125 121 5000	1	Inlet control lever (2,4)	
19	1120 121 9200	1	Spindle (2,4)	
20	1120 122 6600	1	Collar screw (2,4)	
21	1125 129 0901	1	Gasket (2,4)	
22	1125 121 4700	1	Metering diaphragm (2,4)	
23	1120 122 6601	4	Collar screw (2,4)	
24	1125 122 4200	1	Clamp (2,4)	
25	1125 121 3301	1	Throttle shutter (2,4)	
26	1125 122 7402	1	Round head screw (2,4)	
27	1125 122 3202	1	Torsion spring (2,4)	
28	1125 120 7101	1	Throttle shaft with lever (2,4)	
29	1125 122 9001	1	E-clip (2,4)	
30	1125 122 3203	1	Torsion spring (2,4)	
31	1125 120 7201	1	Choke shaft with lever (2,4)	
32	1125 122 9003	1	E-clip (2,4)	
33	1125 122 4600	1	Support (2,4)	
34	4135 121 8600	4	Washer (2,4)	
35	1125 122 3000	2	Spring (2,4)	
36	1125 122 6803	1	Low speed screw (2,4)	

(1) 036, (2) 036 Arctic, (3) 036 BR, (4) 036 Pro, (5) 036 W, (6) 036 WVH

Carburetor C3A-S39, C3A-S52

Reference	Item number	Qty	Description	Contains
37	1125 121 2701	1	Cap (2,4)	
38	1125 122 6703	1	High speed screw (2,4)	
39	1125 121 2700	1	Cap (2,4)	
40	1125 122 6200	1	Idle speed screw (2,4)	
41	1125 121 2901	1	Choke shutter (2,4)	
42	1125 122 7403	1	Round head screw (2,4)	
43	1125 121 5409	1	Valve jet 0.56 (B) High altitude (2,4)	
	1128 007 1065	1	Set of carburetor parts (2,4)	11, 12, 16 - 18, 21, 22

online version, not for reproduction



174ET011 SC

(1) 036, (2) 036 Arctic, (3) 036 BR, (4) 036 Pro, (5) 036 W, (6) 036 WVH

Carburetor C3A-S27

Reference	Item number	Qty	Description	Contains
	1125 120 0609	1	Carburetor C3A-S27D (6)	1 - 35
1	1128 122 7700	1	Oval head screw (6)	
2	1128 122 1502	1	Washer (6)	
3	1128 122 9301	1	Clip (6)	
4	1125 430 0500	1	Switch (6)	
5	1128 122 1501	1	Washer (6)	
6	1125 121 0807	1	End cover (6)	
7	1125 129 0900	1	Gasket (6)	
8	1128 121 4802	1	Pump diaphragm (6)	
9	1123 121 7800	1	Strainer (6)	
10	1125 121 5408	1	Valve jet 0.58 (6)	
11	1123 121 0700	1	Cup plug (6)	
12	Z000 018 Z000	1	Inlet needle (6)	
13	1120 122 3004	1	Spring (6)	
14	1125 121 5000	1	Inlet control lever (6)	
15	1120 121 9200	1	Spindle (6)	
16	1120 122 6600	1	Collar screw (6)	
17	1125 129 0901	1	Gasket (6)	
18	1125 121 4700	1	Metering diaphragm (6)	
19	1125 121 0805	1	End cover (6)	
20	1120 122 6601	4	Collar screw (6)	
21	1125 122 4200	1	Clamp (6)	
22	1125 121 3301	1	Throttle shutter (6)	
23	1125 122 7402	1	Round head screw (6)	
24	1125 122 3202	1	Torsion spring (6)	
25	1125 120 7101	1	Throttle shaft with lever (6)	
26	1125 122 9001	1	E-clip (6)	
27	1125 122 3203	1	Torsion spring (6)	
28	1125 120 7201	1	Choke shaft with lever (6)	
29	1125 122 9003	1	E-clip (6)	
30	1125 122 6200	1	Idle speed screw (6)	
31	1120 122 3005	2	Spring (6)	
32	1125 122 6702	1	High speed screw (6)	
33	1125 122 6802	1	Low speed screw (6)	
34	1125 121 2901	1	Choke shutter (6)	
35	1125 122 7403	1	Round head screw (6)	
36	1125 121 5409	1	Valve jet 0.56 (B) High altitude (6)	
	1128 007 1065	1	Set of carburetor parts (6)	7 - 9, 12 - 14,

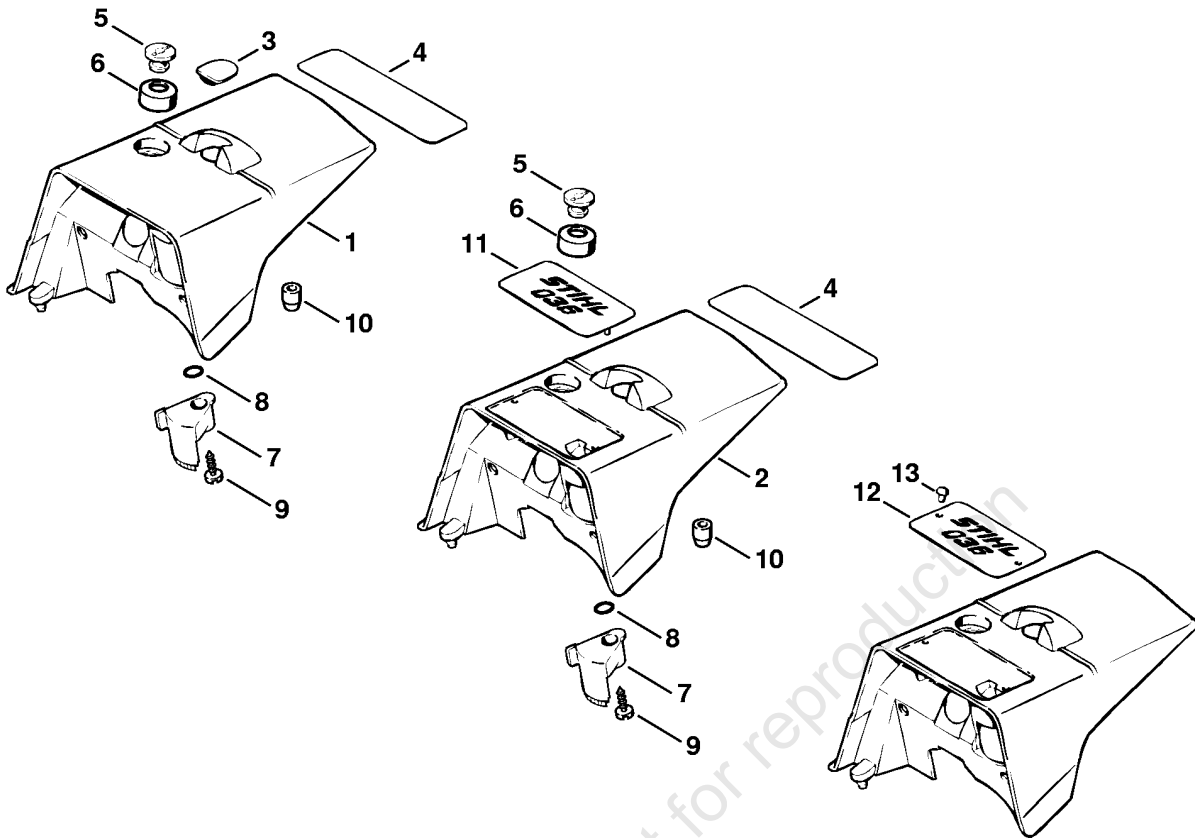
(1) 036, (2) 036 Arctic, (3) 036 BR, (4) 036 Pro, (5) 036 W, (6) 036 WVH

Carburetor C3A-S27

Reference	Item number	Qty	Description	Contains
				17, 18

online version, not for reproduction

Shroud



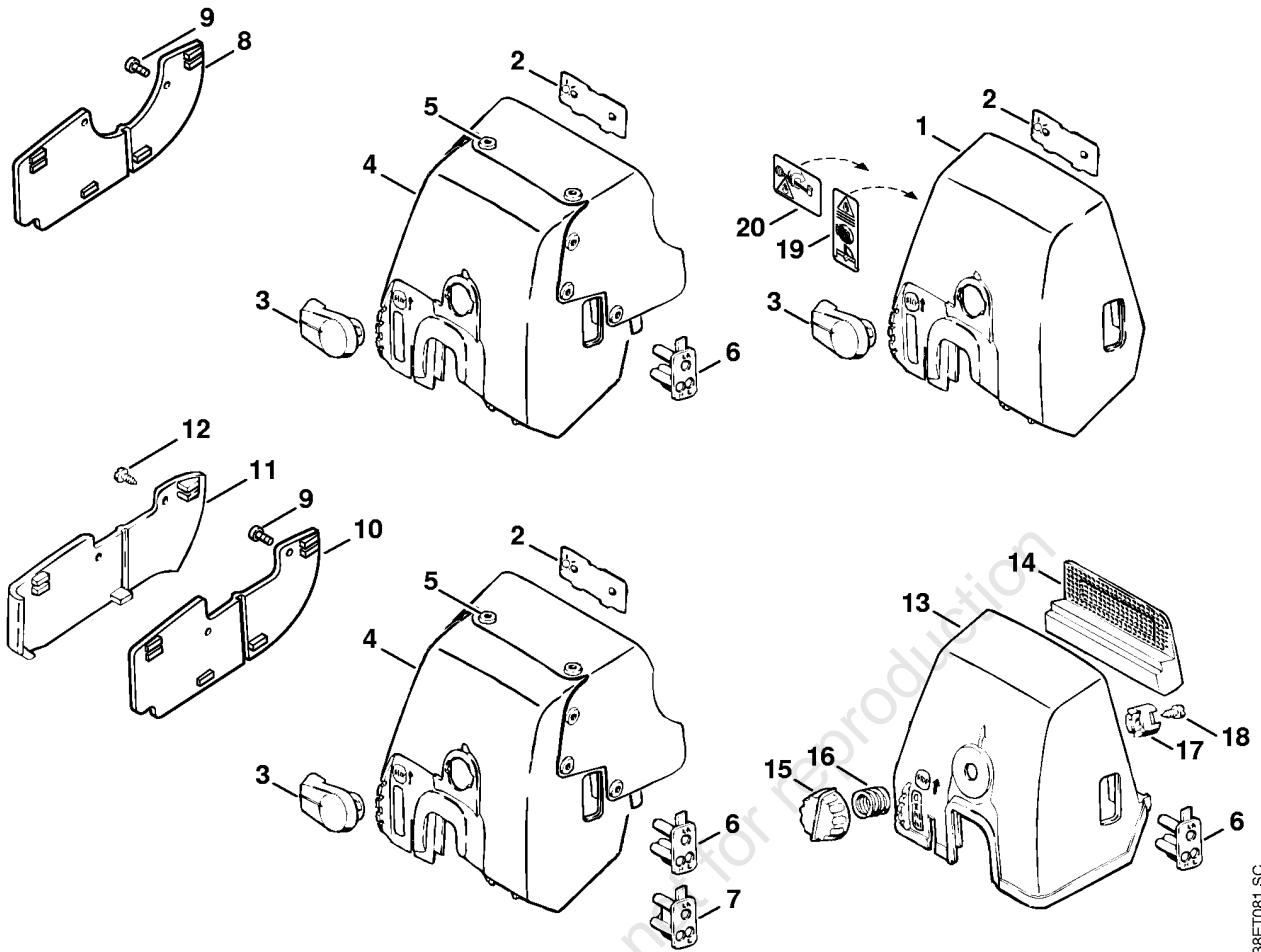
138ET075 SC

Shroud

Reference	Item number	Qty	Description	Contains
1	1125 080 1620	1	Shroud	3 - 9
2	* 1125 080 1617	1	Shroud	3 - 9
3	1122 084 7100	1	Cap	
4	1128 792 0900	1	Reflector foil	
5	1121 084 7000	1	Slotted nut	
6	1121 084 6901	1	Insulator	
7	1125 080 8000	1	Shutter	8, 9
8	9646 945 0590	1	O-ring 8x2	
9	9099 021 3760	1	Self-tapping screw 4.8x13	
10	1121 084 7100	1	Cap	
11	* 1125 967 1508	1	Model plate 036	
12	* 1125 967 1505	1	Model plate 036	
13	* 0000 974 1000	2	Round head rivet 3x6	

online version, not for reproduction

Carburetor box cover

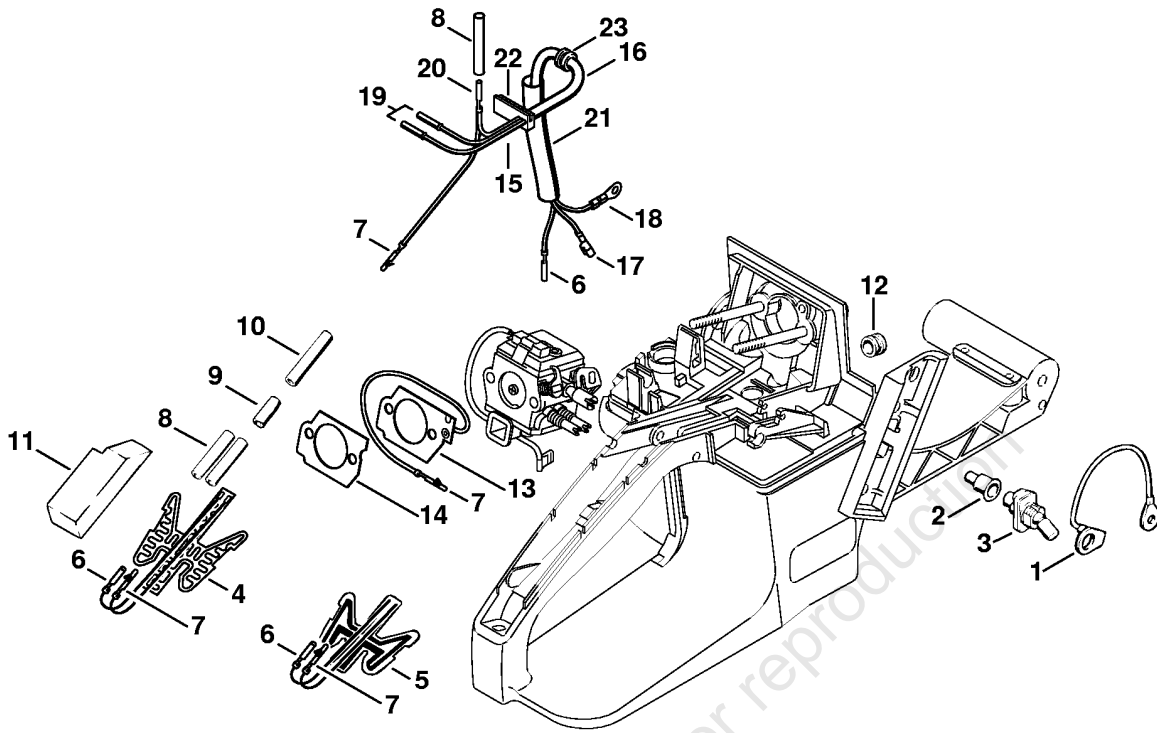


138ET081 SC

(1) 036, (2) 036 Arctic, (3) 036 BR, (4) 036 Pro, (5) 036 W, (6) 036 WVH

Carburetor box cover

Reference	Item number	Qty	Description	Contains	Up to
1	1125 140 1903	1	Carburetor box cover	2, 3	
2	1121 141 2900	1	Cover		
3	1130 141 2300	1	Twist lock		
4	1125 140 1907	1	Carburetor box cover (B)	2, 3, 5, 6	
5	9438 929 4040	7	Blind rivet 5x8 (B)		
6	1125 121 7700	1	Guide piece (1,3,5,6)		
7	1125 121 7701	1	Guide piece (2,4)		
8	1125 084 8203	1	Cover plate (B)		
9	9041 216 0650	1	Pan head screw M4x10 (B)		
	* 1125 007 1042	1	Intake air preheating kit (B)	2 - 7, 9, 10	
10	* 1125 084 8202	1	Cover plate (B)		
	* 1125 007 1037	1	Intake air preheating kit (B)	2 - 7, 11, 12	
11	* 1125 084 8201	1	Cover plate (B)		
12	* 9099 021 2360	2	Self-tapping screw 3.5x9.5 (B)		
13	* 1125 140 1904	1	Carburetor box cover (C)	6, 14 - 18	32622639
14	* 1125 120 1501	1	Prefilter		32622639
15	* 1121 141 2300	1	Twist lock		32622639
16	* 0000 997 1335	1	Compression spring		32622639
17	* 1125 141 2101	1	Detent		32622639
18	* 9074 478 3025	1	Pan head self-tapping screw IS-P4x16		32622639
19	0000 967 3605	1	Warning pictogram Filler cap USA, CDN (4)		
20	* 0000 967 3692	1	Warning pictogram Filler cap USA, CDN (4)		

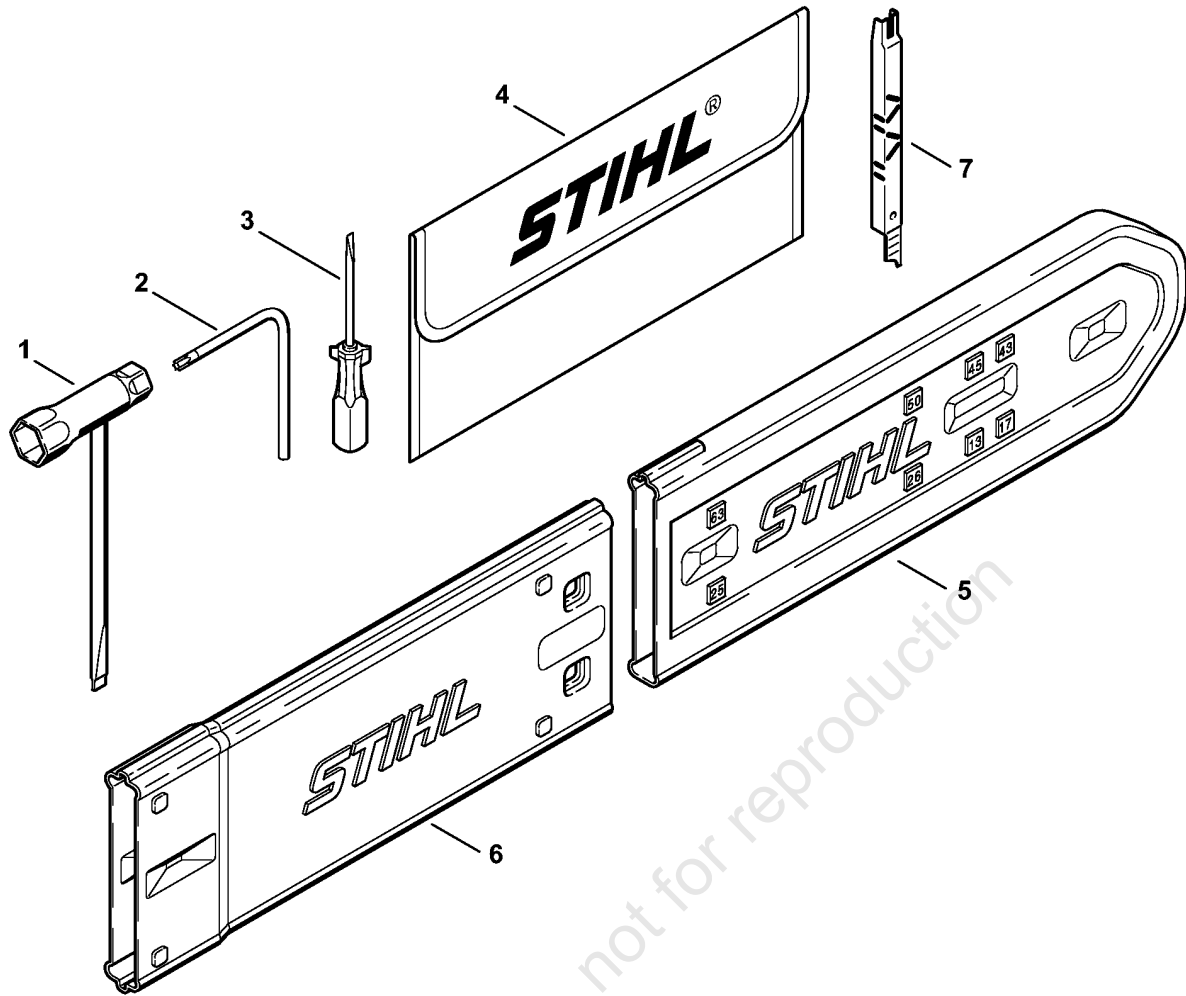


online version, not for reproduction

138ET072 SC

Heating

Reference	Item number	Qty	Description	Contains
1	1121 440 2201	1	Ground wire (2,5,6)	
2	1110 432 9200	1	Grommet (2,5,6)	
3	1110 430 0202	1	Stop switch (2,5,6)	
4	1128 434 5000	1	Heating element (2,5,6)	6, 7
5	* 1125 434 5000	1	Heating element (2,5,6)	6, 7
6	1118 431 6700	1	Terminal socket (C) (2,5,6)	
7	1118 431 6600	1	Terminal pin (C) (2,5,6)	
8	1121 442 0402	3	Insulating hose 35 mm / 1.4" (2,5,6)	
9	1125 442 0401	1	Hose 15mm / 5/8" (2,5,6)	
10	1121 442 0406	1	Insulating hose 40 mm / 1.6" (2,5,6)	
11	1121 791 9000	1	Clamp (2,5,6)	
12	0000 989 0815	1	Grommet (2,5,6)	
13	1128 434 5101	1	Heating element (2,6)	7
14	1125 121 9900	1	Heater plate (2,6)	
15	1125 440 3000	1	Wiring harness (2,6)	6, 7, 16 - 22
16	1123 442 0400	1	Shrink-on tube (2,6)	
17	0751 030 8957	1	Terminal socket 4.8-1/0.8 (C) (2,6)	
18	0751 030 8969	1	Terminal socket A5-1.5 (C) (2,6)	
19	1119 442 7000	2	Contact sleeve (C) (2,6)	
20		1	Terminal socket (D) (2,6)	
21	1125 442 0400	1	Insulating hose 120 mm / 4.7" (2,6)	
22	1125 123 7500	1	Grommet (2,6)	
23	1125 084 8900	1	Grommet (2,6)	



1121-GET-0002-A0

Tools, Extras

Reference	Item number	Qty	Description	Contains
	1121 890 1400	1	Tool kit	1 - 4
1	1129 890 3401	1	Combination wrench	
2	0812 370 1000	1	Screwdriver T27x120x70	
3	0000 890 2300	1	Screwdriver	
4	0000 891 0810	1	Tool roll (1,2,4,5,6)	
5	0000 792 9129	1	Chain scabbard	
6	0000 792 9132	1	Chain scabbard extension up to 63 cm (B,C)	
7	1110 893 4000	1	Filing gauge (B)	

online version, not for reproduction