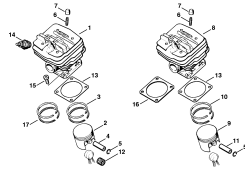
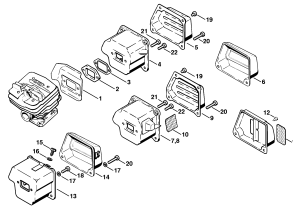


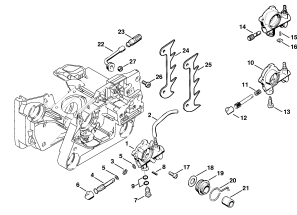
Crankcase, Chain tensioner



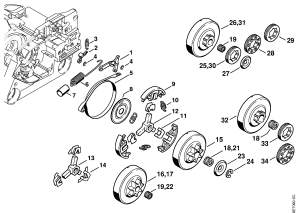
Cylinder



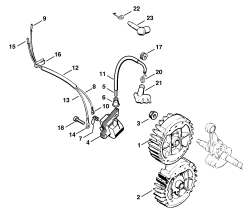
Muffler



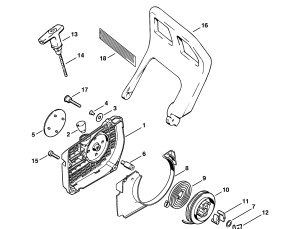
Oil pump



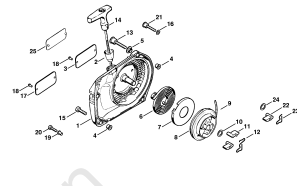
Chain brake, Clutch



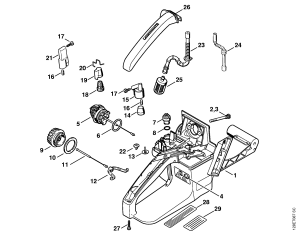
Ignition system



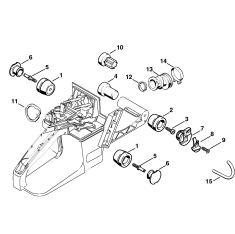
Rewind starter



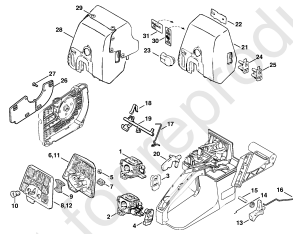
Rewind starter (31.2001)



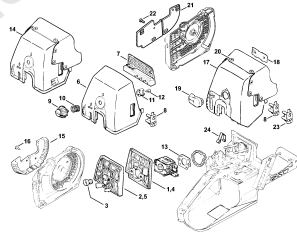
Tank housing



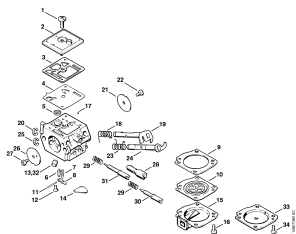
AV system



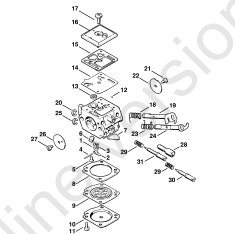
Air filter, Throttle control



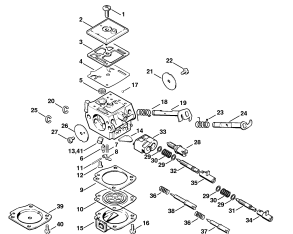
Air filter (08.2000), (31.2001)



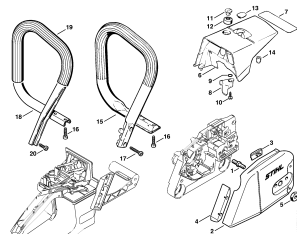
Carburetor C3A-S31



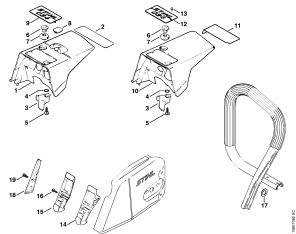
Carburetor C3A-S19, C3A-S38



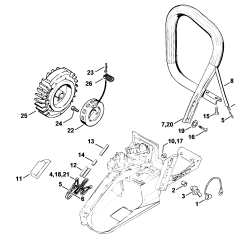
Carburetor C3A-S39



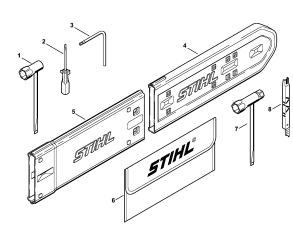
Chain sprocket cover, Handlebar



Shroud (31.2001)



Heating



Tools, Extras

**Description**

Crankcase, Chain tensioner

Cylinder

Muffler

Oil pump

Chain brake, Clutch

Ignition system

Rewind starter

Rewind starter (31.2001)

Tank housing

AV system

Air filter, Throttle control

Air filter (08.2000), (31.2001)

Carburetor C3A-S31

Carburetor C3A-S19, C3A-S38

Carburetor C3A-S39

Chain sprocket cover, Handlebar

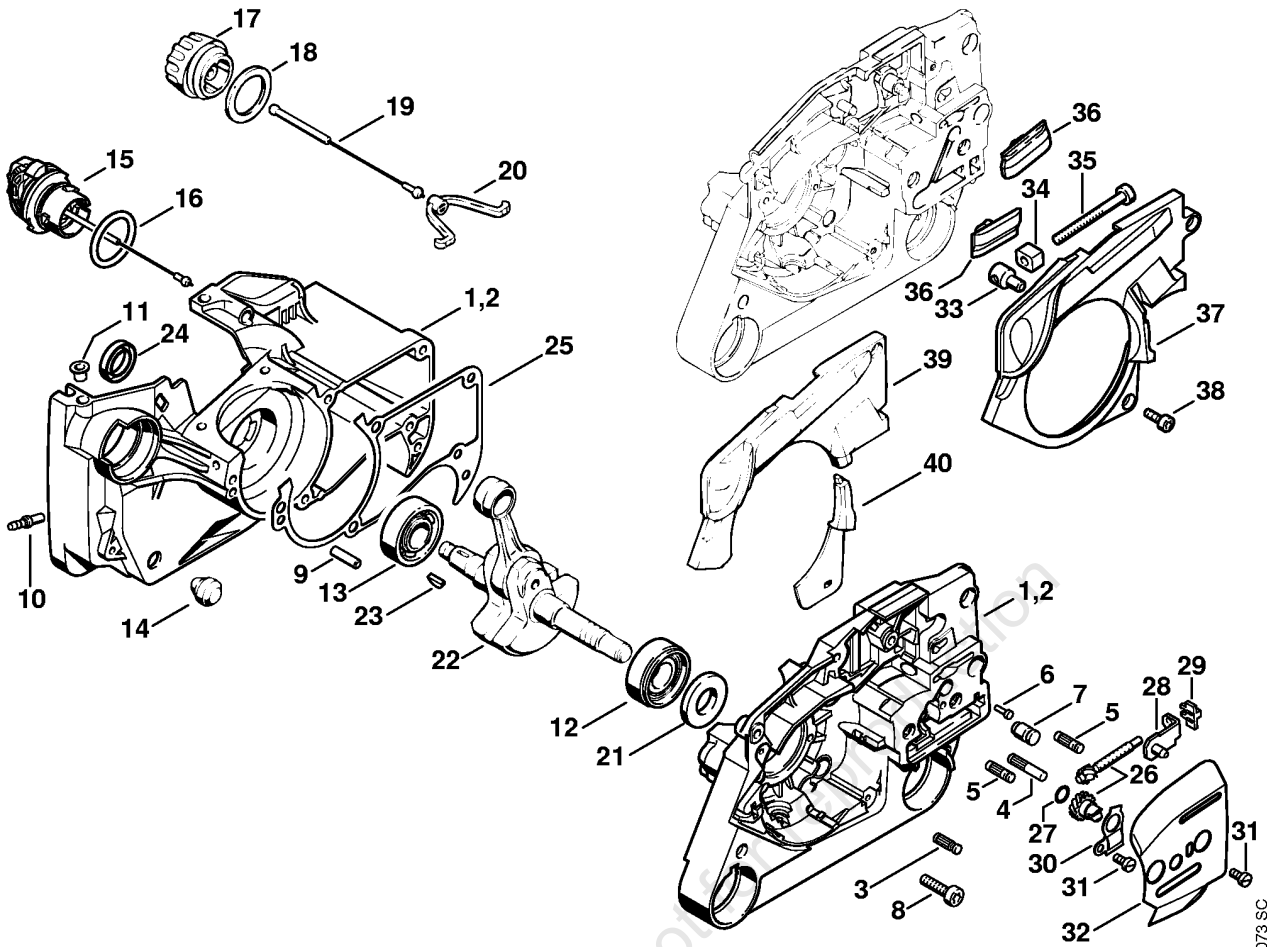
Shroud (31.2001)

Heating

Tools, Extras

online version, not for reproduction

**Crankcase, Chain tensioner**



128ET073 SC

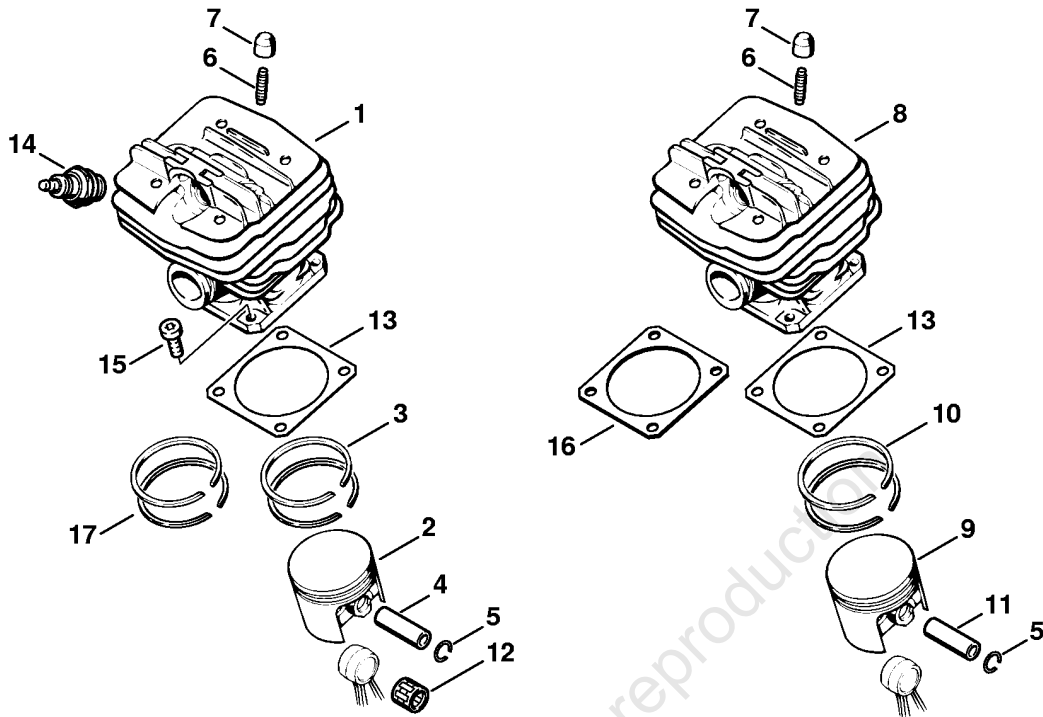
## Crankcase, Chain tensioner

Reference	Item number	Qty	Description	Contains	Up to	Technical Information
1	1125 020 2120	1	Crankcase	3 - 14		
2	* 1125 020 2107	1	Crankcase (C)	3 - 14, 37, 38		
3	1120 162 5200	1	Pin			
4	1121 162 5205	1	Pin			
5	1121 162 5200	2	Pin			
6	0000 974 1200	1	Notched pin 2.6x8			
7	1128 640 9100	1	Valve			
8	9022 371 1020	5	Spline screw IS- M5x20			
9	9371 470 2610	2	Cylindrical pin 5x18			
10	0000 988 5211	1	Connector			
11	9416 868 6531	2	Hollow rivet 6.5x0.5x6.8			
12	9523 003 4266	1	Grooved ball bearing 15x35x13			
13	9503 003 0346	1	Grooved ball bearing 6202			
14	1125 791 2810	1	Stop buffer			
15	0000 350 0537	1	Filler cap	16		
16	9645 948 2470	1	O-ring 23x3			
17	* 0000 350 0510	1	Filler cap			
18	* 0000 359 1210	1	Sealing ring			
19	* 0000 350 0900	1	Rope			
20	* 0000 353 0600	1	Hook			
21	9640 003 1600	1	Oil seal 15x29.6x4			
22	1125 030 0407	1	Crankshaft	23		25.2005
23	1120 036 8500	1	Woodruff key 2x3.7			
24	9640 003 1190	1	Oil seal 12x20x5			
25	1125 029 0500	1	Gasket			
26	1125 007 1021	1	Spur gear / chain adjusting screw kit (B)	27		
27	9646 945 0490	1	O-ring 7x1.5			
28	1125 640 1900	1	Tensioner slide			
29	1125 664 1400	1	Thrust pad			
30	1122 664 2200	1	Cover plate			
31	9041 216 0630	2	Pan head screw M4x8			

## Crankcase, Chain tensioner

Reference	Item number	Qty	Description	Contains	Up to	Technical Information
32	1122 664 1000	1	Inner side plate 0.5 mm (B)			
	* 1125 007 1036	1	Chain tensioner kit	26 - 32	25648043	
33	1120 664 1500	1	Tensioning nut			
34	1121 664 2800	1	Guide piece			
35	9043 319 8100	1	Pan head screw M5x50			
36	1121 648 6610	2	Bumper strip			
37	1125 021 1101	1	Cover			
38	9022 313 0660	3	Spline screw IS- M4x12			
39	* 1125 021 1100	1	Cover			
40	* 1125 021 1200	1	Cover plate			
	1125 007 1050	1	Set of gaskets	21, 24, 25		

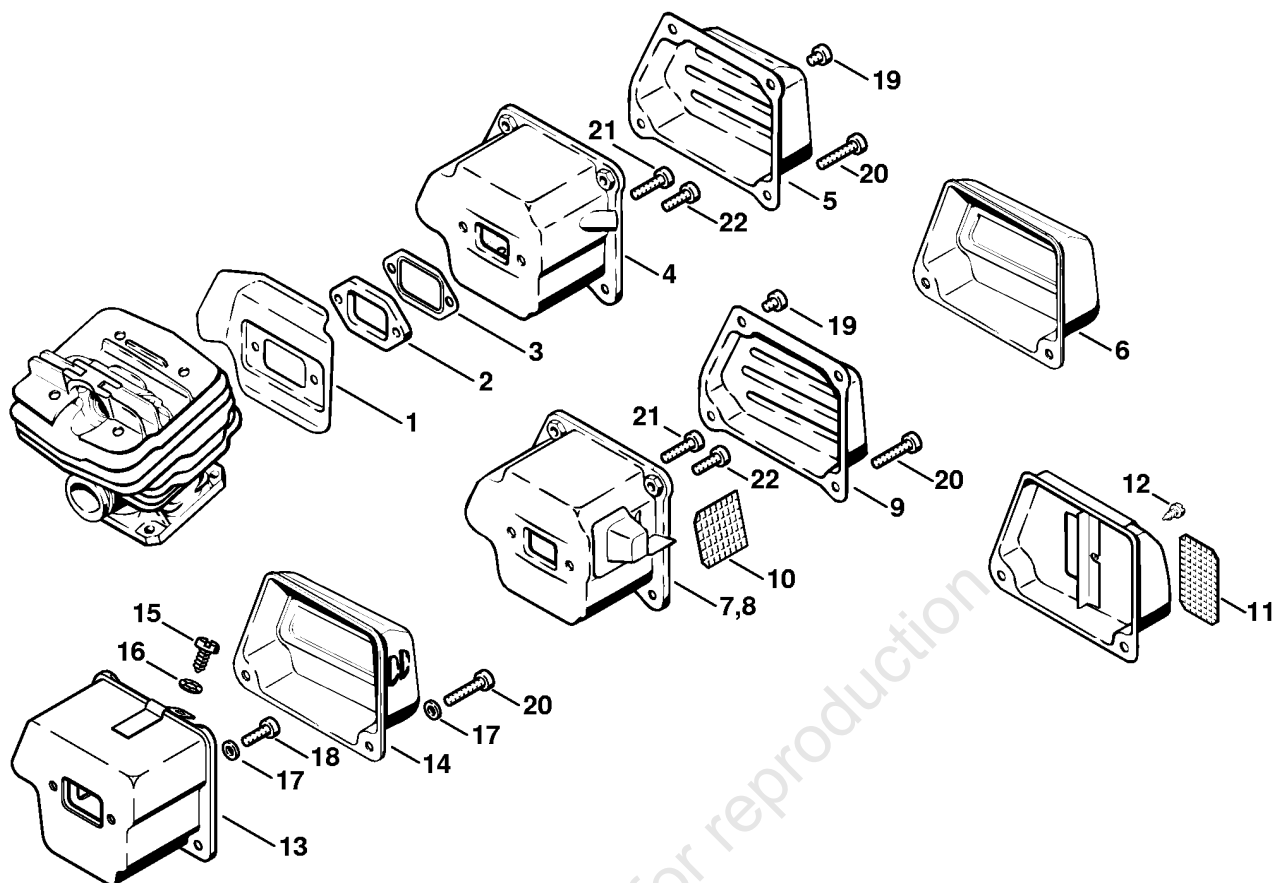
online version, not for reproduction



128ET044 SC

## Cylinder

Reference	Item number	Qty	Description	Contains
1	1125 020 1209	1	Cylinder with piston Ø 46 mm CDN (1)	2 - 6
2	1125 030 2002	1	Piston Ø 46 mm CDN (1)	3 - 5
3	1125 034 3003	2	Piston ring Ø 46x1.2 mm CDN (1)	
4	1110 034 1500	1	Piston pin 10x6x32 CDN (1)	
5	9463 650 1000	2	Snap ring 10	
6	0000 953 0818	2	Stud M5	
7	1121 084 7100	1	Cap	
8	1125 020 1202	1	Cylinder with piston Ø 48 mm	5, 6, 9 - 11
8	1125 020 1204	1	Cylinder with piston Ø 48 mm (2)	5, 6, 9 - 11
9	1125 030 2001	1	Piston Ø 48 mm (2)	5, 10, 11
10	1125 034 3001	2	Piston ring Ø 48x1.2 mm (2)	
11	1125 034 1500	1	Piston pin 10x6x32 (2)	
12	9512 003 2340	1	Needle cage 10x14x13	
13	1119 029 2301	1	Cylinder gasket 0.5 mm	
14	1110 400 7005	1	Spark plug Bosch WSR 6 F	
14	0000 400 7000	1	Spark plug NGK BPMR7A	
15	9022 371 1020	4	Spline screw IS-M5x20	
16	* 1125 029 2301	1	Cylinder gasket 1 mm	
17	* 1118 034 3001	2	Piston ring Ø 46x1.5 mm	
	1125 007 1050	1	Set of gaskets	13

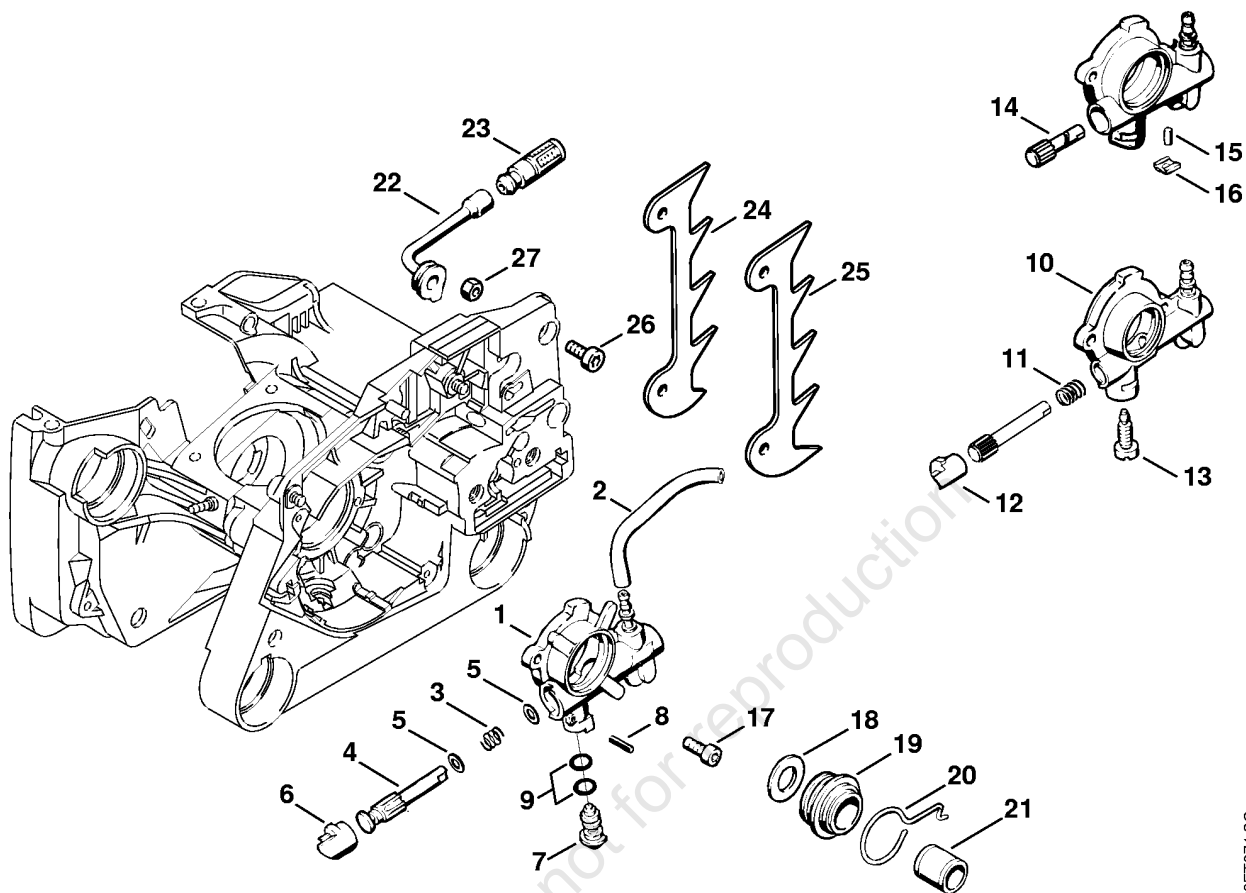


128ET091 SC



## Muffler

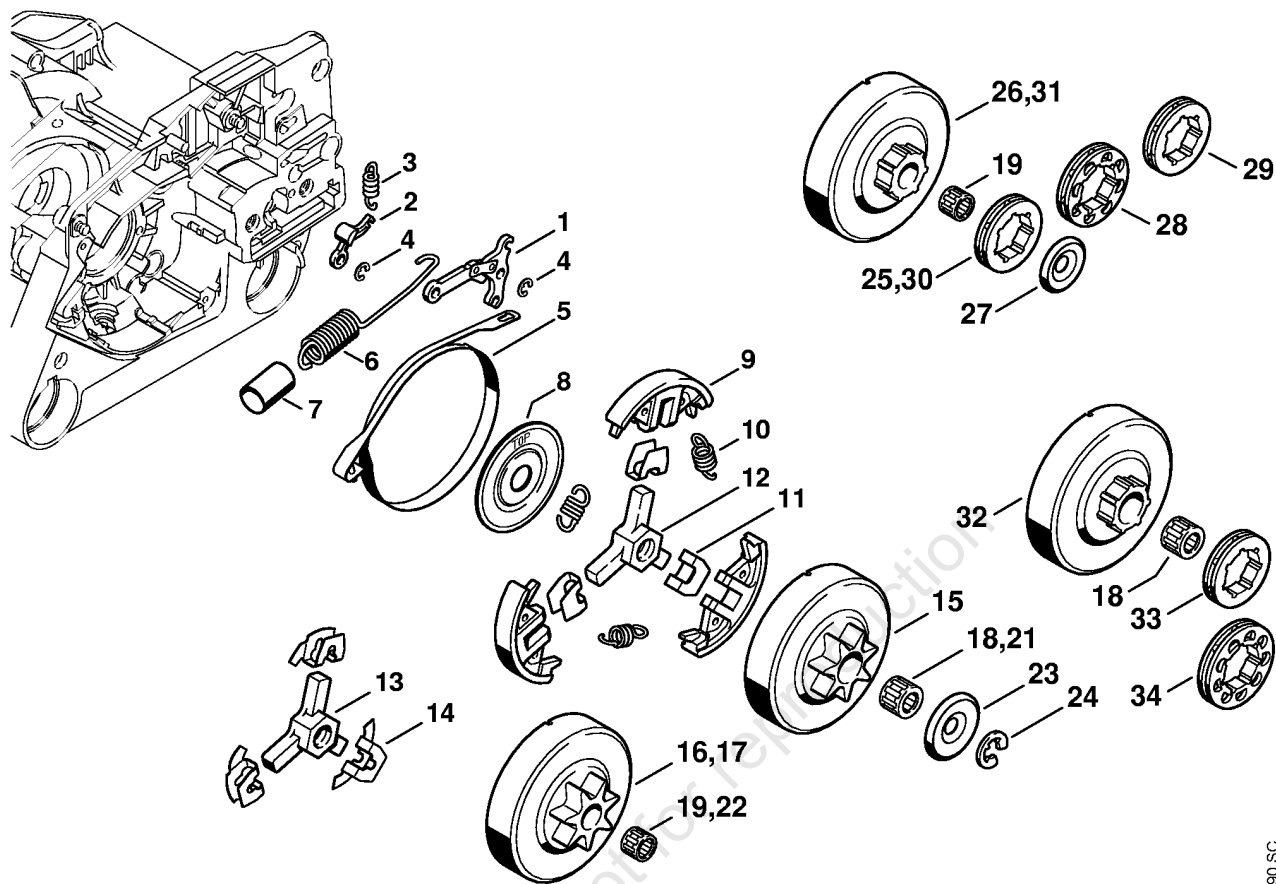
Reference	Item number	Qty	Description	Contains
1	1125 141 3200	1	Cooling plate	
2	1122 145 1200	1	Flange CDN	
3	1125 149 0601	1	Muffler gasket	
4	1125 140 0607	1	Muffler	5
5	1125 145 0804	1	Exhaust casing	
6	* 1125 145 0802	1	Exhaust casing (1)	
	* 1125 140 0650	1	Muffler	2 - 5, 19, 20
7	1125 140 0606	1	Muffler CDN (2)	9, 10
8	* 1125 140 0609	1	Muffler USA, AUS, CDN (2)	9, 10
9	1125 145 0805	1	Exhaust casing USA, AUS, CDN (2)	
10	1125 141 9001	1	Screen USA, AUS, CDN (2)	
11	* 1125 141 9000	1	Screen (2)	
12	* 9099 021 0810	1	Self-tapping screw 4.2x9.5 (2)	
	1125 007 1034	1	Muffler available in Brazil only	13 - 16
13	1125 145 0706	1	Inlet casing available in Brazil only	
14	1125 145 0806	1	Exhaust casing available in Brazil only	
15	9099 021 0810	1	Self-tapping screw 4.2x9.5 available in Brazil only	
16	9330 630 0100	1	Shake-proof washer 4.3 available in Brazil only	
17	9291 021 0120	4	Washer 5.3 available in Brazil only	
18	9022 341 0980	2	Spline screw IS-M5x16 available in Brazil only	
19	9022 341 0910	2	Spline screw IS-M5x6	
20	9022 371 1050	2	Spline screw IS-M5x25	
21	9022 371 1020	2	Spline screw IS-M5x20	
22	* 9022 341 0980	2	Spline screw IS-M5x16	
	1125 007 1050	1	Set of gaskets	3



128ET074 SC

## Oil pump

Reference	Item number	Qty	Description	Contains	Up to
	1125 640 3201	1	Oil pump	1 - 9	
1	1125 640 3001	1	Pump housing		
	1124 007 1010	1	Oil hose kit	2	
2		1	Oil hose 3,1x5,7x300 mm (D)		
3	0000 997 0629	1	Compression spring		
4	1125 647 0604	1	Pump piston		
5	0000 958 0611	2	Washer		
6	1125 647 7002	1	Plug		
7	1128 647 4806	1	Control bolt		
8	9380 620 1090	1	Roll pin 2x10		
9	9646 945 0160	2	O-ring 4x2		
10	* 1125 640 3006	1	Pump housing	2	20239582
11	* 0000 997 0621	1	Helical spring (C)		20239582
12	* 1121 647 7000	1	Plug		20239582
13	* 1125 647 7600	1	Control screw		20239582
	* 1125 640 3200	1	Oil pump	12, 14 - 16	15423625
14	* 1125 647 0600	1	Pump piston		15423625
15	* 9517 003 5010	1	Cylindrical roller 3x8		15423625
16	* 1125 647 3300	1	Clamp		15423625
17	9022 313 0660	2	Spline screw IS-M4x12		
18	1125 647 7800	1	Washer		
19	1125 640 7110	1	Worm	20	
20	1125 647 2400	1	Spring		
21	0000 993 0510	1	Ring		
22	1122 647 9400	1	Hose		
23	1117 640 3800	1	Pickup body		
24	1110 664 0501	1	Bumper spike		
25	1128 664 0500	1	Bumper spike		
26	9022 341 0960	2	Spline screw IS-M5x12		
27	9214 320 0700	1	Lock nut M5		



128ET090 SC

(1) 034, (2) 034 S

## Chain brake, Clutch

Reference	Item number	Qty	Description	Contains	Up to
1	1121 160 5000	1	Lever		
2	1121 162 5010	1	Lever		
3	0000 997 0628	1	Spring		
4	9460 624 0400	2	E-clip 4		
5	1125 160 5400	1	Brake band		
6	1121 160 5500	1	Tension spring	7	
7	1125 162 8002	1	Hose 20 mm / 13/16"		
	1127 160 2051	1	Clutch	8 - 12	
8	1127 162 1000	1	Cover washer		
9	1125 162 0802	3	Clutch shoe		
10	0000 997 0909	3	Tension spring		
11	1127 162 3000	3	Retainer		
12	1127 162 3200	1	Carrier		
13	* 1125 162 3201	1	Carrier		
14	* 1125 162 3000	3	Retainer		
15	1125 640 2006	1	Chain sprocket 3/8" 7T (1)		
16	* 1125 640 2004	1	Chain sprocket 3/8" 7T (1)		149402334
17	* 1125 640 2005	1	Chain sprocket 0.325" 7T		149402334
18	9512 933 2380	1	Needle cage 10x16x12		
19	* 9512 933 2260	1	Needle cage 10x13x10		149402334
21	9512 933 2381	1	Needle cage 10x16x12 (B)		
22	* 9512 003 2260	1	Needle cage 10x13x10 (B)		149402334
23	0000 958 1022	1	Washer Ø 27 mm		
24	9460 624 0801	1	E-clip 8x1.3		
	* 1125 007 1002	1	Rim sprocket kit 3/8" 7T (B)	24 - 27	149402334
25	* 0000 642 1231	1	Rim sprocket 3/8" 7T (B)		149402334
26	*	1	Clutch drum (B,D)		149402334
27	0000 958 1022	1	Washer Ø 27 mm		
	* 1125 007 1000	1	Rim sprocket kit 0.325" 8T (B)	24, 26 - 28	149402334
28	* 0000 642 1234	1	Rim sprocket 0.325" 8T (B)		149402334
	* 1125 007 1001	1	Rim sprocket kit 0.325" 7T (B)	24, 26, 27, 29	149402334
29	* 0000 642 1236	1	Rim sprocket 0.325" 7T (B)		149402334
	* 1125 007 1040	1	Rim sprocket kit 3/8" 7T (B)	24, 27, 30, 31	149402334
30	* 0000 642 1249	1	Rim sprocket 3/8" 7T (B)		149402334
31	*	1	Clutch drum (B,D)		149402334
	1125 007 1041	1	Rim sprocket kit 3/8" 7T (B)	18, 24, 32, 33	
32		1	Clutch drum (B,D)		
33	0000 642 1223	1	Rim sprocket 3/8" 7T (B)		

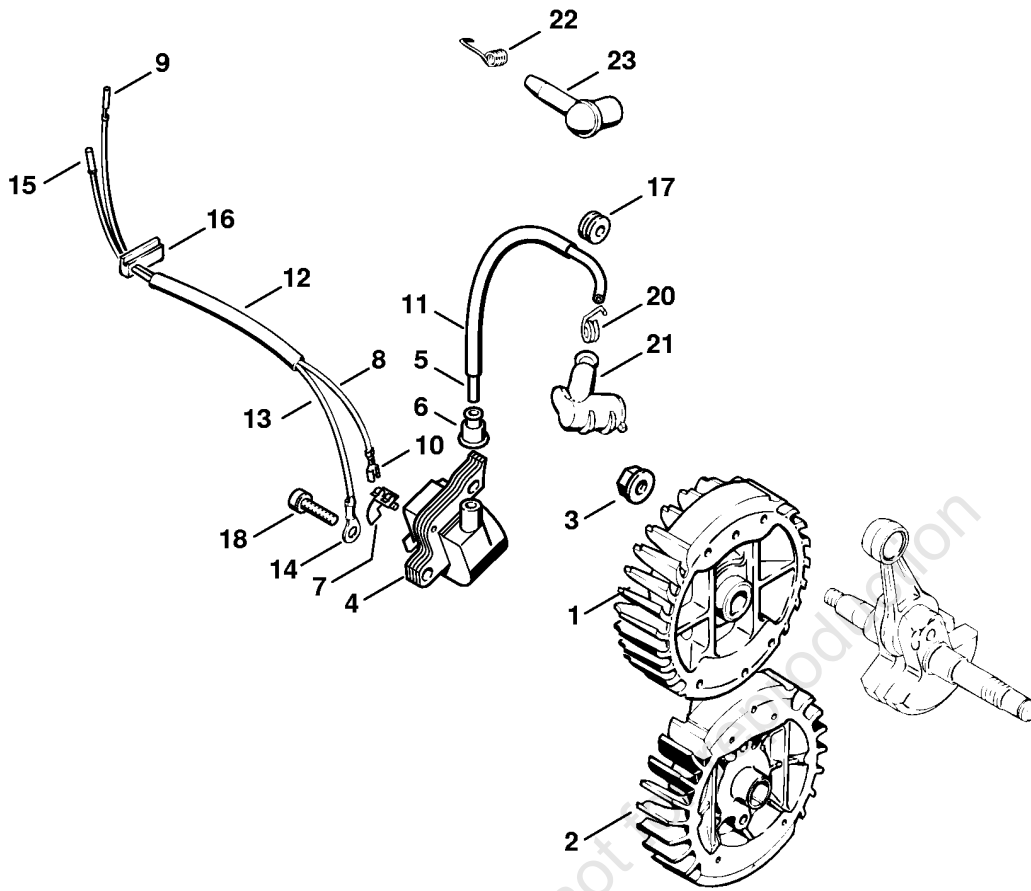
(1) 034, (2) 034 S

**Chain brake, Clutch**

Reference	Item number	Qty	Description	Contains	Up to
	1125 007 1003	1	Rim sprocket kit 0.325" 9T (B)	18, 24, 32, 34	
34	0000 642 1239	1	Rim sprocket 0.325" 9T (B)		

online version, not for reproduction

**Ignition system**



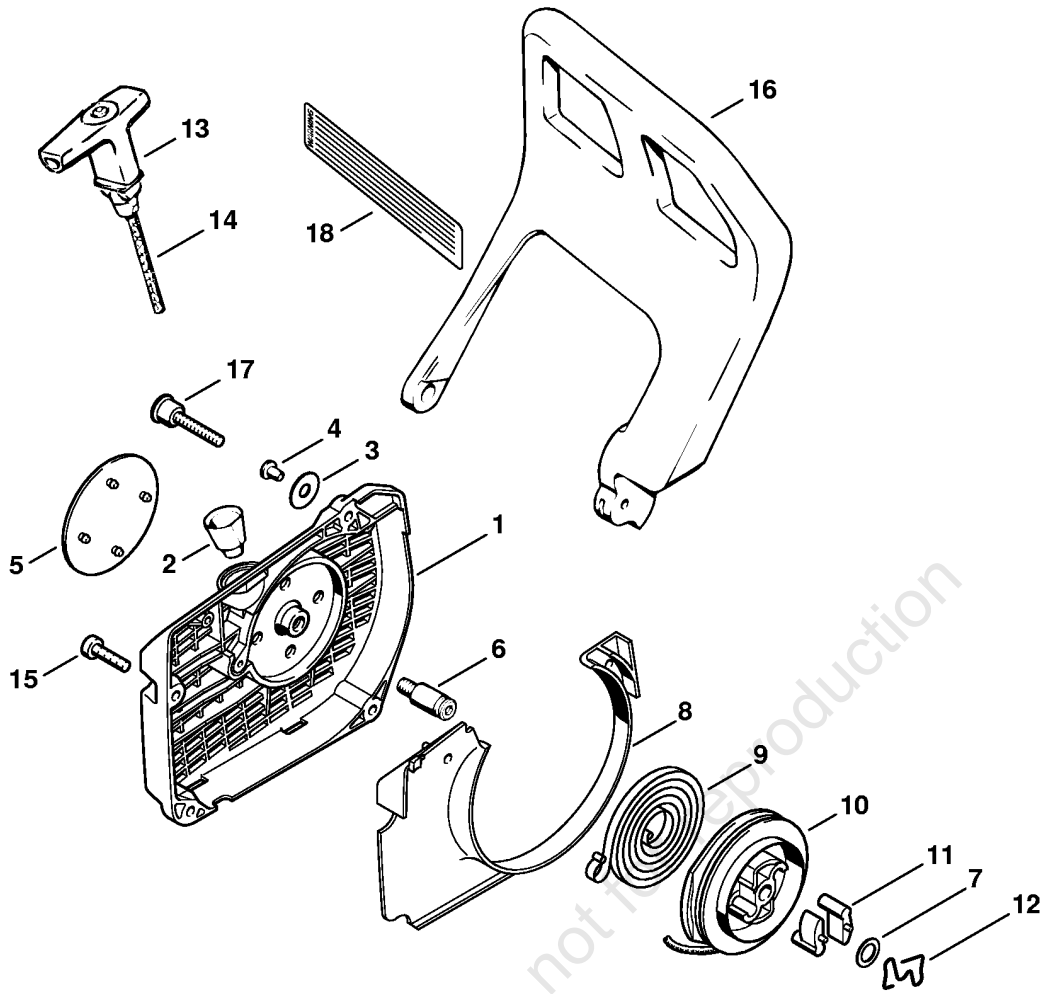
128ET059 SC

## Ignition system

Reference	Item number	Qty	Description	Contains	Technical Information
1	1125 400 1202	1	Flywheel CDN (1)		25.2005
2	1125 400 1200	1	Flywheel (2)		25.2005
3	0000 955 0802	1	Collar nut M8x1		
4	0000 400 1300	1	Ignition module	5 - 7	
5		1	Ignition lead 195 mm		
	0000 405 0600	1	Ignition lead 1 m (B)		
	0000 930 2251	1	Ignition lead 10 m (B)		
6	0000 989 1010	1	Grommet		
7	0000 448 1250	1	Lead retainer		
8	1125 440 1100	1	Short circuit wire 270 mm / 10.6"	9, 10	
9	1119 442 7000	1	Contact sleeve (C)		
10	0751 030 8957	1	Terminal socket 4.8-1/0.8 (C)		
11	1117 442 0905	1	Insulating hose 110 mm / 4.3"		
12	1125 442 0400	1	Insulating hose 120 mm / 4.7"		
13	1125 440 2200	1	Ground wire	14, 15	
14	0751 030 8969	1	Terminal socket A5-1.5 (C)		
15	1110 442 7000	1	Contact sleeve (C)		
16	1125 123 7500	1	Grommet		
17	1125 084 8900	1	Grommet		
18	9022 341 1019	2	Spline screw IS-M5x20		
20	0000 998 0604	1	Spark plug contact spring		
21	1128 405 1000	1	Spark plug boot		
22	* 0000 998 0603	1	Torsion spring		
23	* 1106 405 1000	1	Spark plug boot		



**Rewind starter**



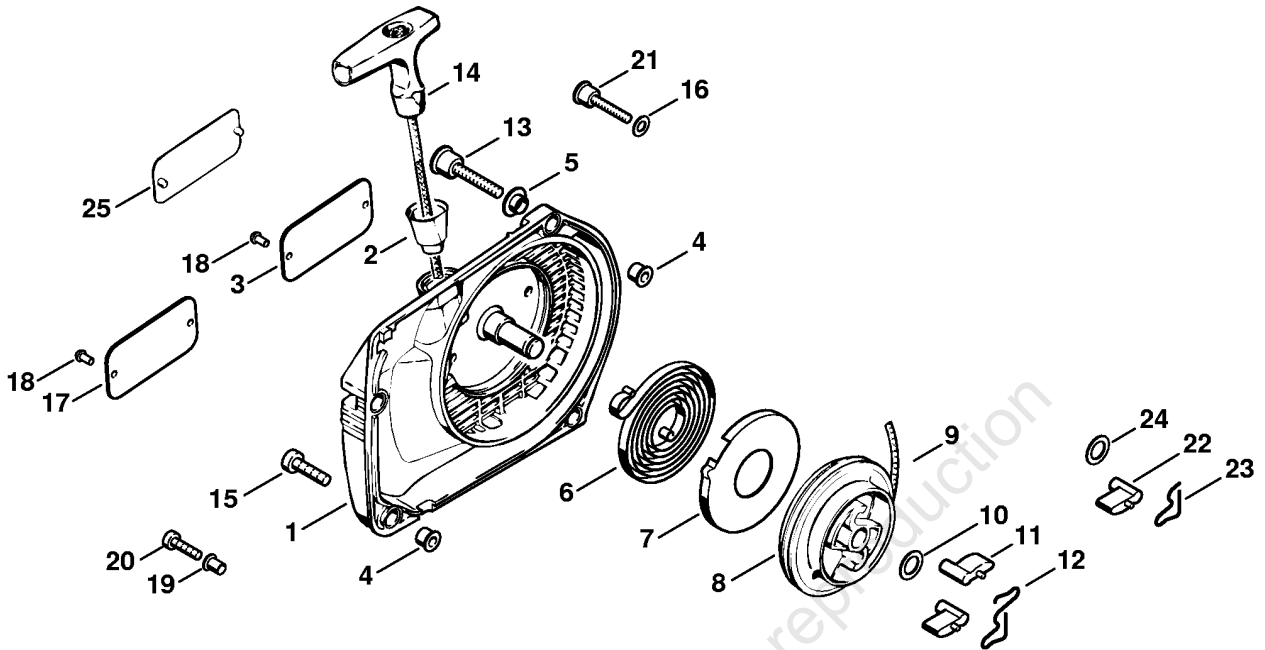
online version, not for production

173ET019 SC

## Rewind starter

Reference	Item number	Qty	Description	Contains
	1125 080 2105	1	Fan housing with rewind starter	1 - 14
1	1125 080 1830	1	Fan housing	2 - 8
2	1110 084 9102	1	Bushing	
3	0000 958 0601	1	Washer	
4	9416 868 6530	1	Hollow rivet 6.5x0.5x6.8	
5	0000 967 1500	1	Nameplate STIHL	
6	1128 080 6500	1	Axle	7
7	0000 958 0923	1	Washer	
8	1125 084 7801	1	Segment	
9	1129 190 0601	1	Rewind spring	
10	1128 195 0400	1	Rope rotor	
11	1125 195 7200	2	Pawl	
12	1128 195 3500	1	Spring	
13	1128 190 3400	1	Starter grip ElastoStart Ø 3,5 mm	14
14	1128 190 2900	1	Starter rope Ø 3.5 mm	
	0000 930 2267	1	Starter rope Ø 3.5 mm / 28 pieces	
15	9022 371 1020	3	Spline screw IS-M5x20	
16	1125 792 9100	1	Hand guard	
17	0000 790 6103	1	Screw assy. M5	
18	0000 967 3630	1	Instruction label USA	

**Rewind starter (31.2001)**



online version, not for reproduction

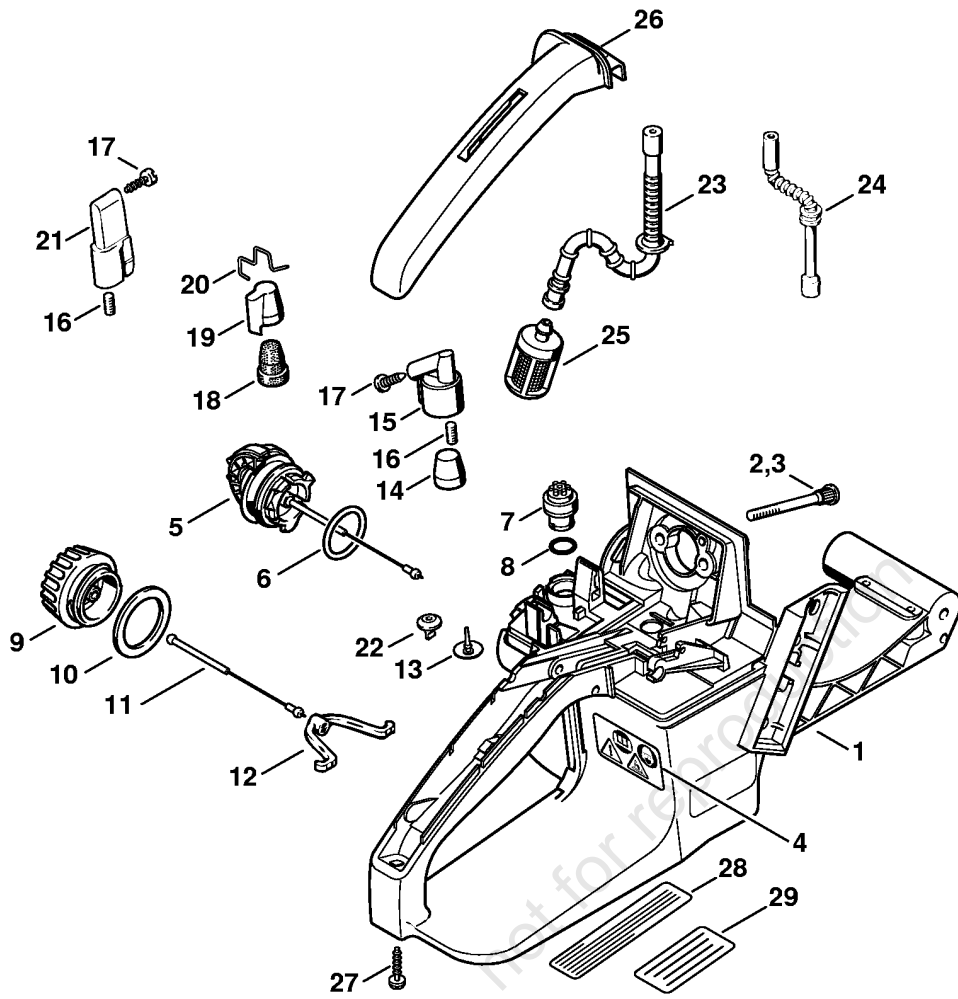
128ET076 SC

(1) 034, (2) 034 S

**Rewind starter (31.2001)**

Reference	Item number	Qty	Description	Contains	Up to
1	* 1125 080 1813	1	Fan housing (C) available in Brazil only	2 - 5, 18	
2	* 1110 084 9102	1	Bushing		
3	* 0000 967 2018	1	Nameplate STIHL available in Brazil only		
4	* 0000 963 0809	4	Bushing		146287965
5	* 1125 084 6400	1	Sleeve		146287965
6	* 1118 190 0600	1	Rewind spring	7	146287965
7	* 1118 195 0300	1	Spring housing		146287965
8	* 1125 195 0401	1	Rope rotor		146287965
9	* 1113 195 8200	1	Starter rope Ø 3.5x960 mm		146287965
	* 0000 930 2203	1	Starter rope Ø 3.5 mm x 30.5 m (B)		146287965
	* 0000 930 2212	1	Starter rope Ø 3.5 mm x 60.8 m (B)		
10	* 0000 958 0923	1	Washer		146287965
11	* 1125 195 7200	2	Pawl		146287965
12	* 1128 195 3500	1	Spring		146287965
13	* 0000 790 6103	1	Screw assy. M5		146287965
14	* 1121 195 3400	1	Starter grip		146287965
15	* 9022 371 1020	3	Spline screw IS-M5x20		146287965
16	* 0000 958 0514	1	Washer		25648043
17	* 0000 967 2020	1	Nameplate STIHL		25648043
18	* 0000 974 1000	2	Round head rivet 3x6		25648043
19	* 9416 868 5630	4	Hollow rivet 5.5x0.5x6.8		25648043
20	* 9022 313 0680	3	Pan head screw IS M4x16		25648043
21	* 0000 790 6100	1	Screw assy. M4		25648043
22	* 1125 195 7200	1	Pawl		22990085
23	* 1118 195 3500	1	Spring		22990085
24	* 0000 958 0806	1	Washer		23052294
25	* 0000 967 2035	1	Nameplate STIHL		
	* 1125 007 1025	1	Rope rotor kit/Pawl (B)	8, 22, 23	16523020

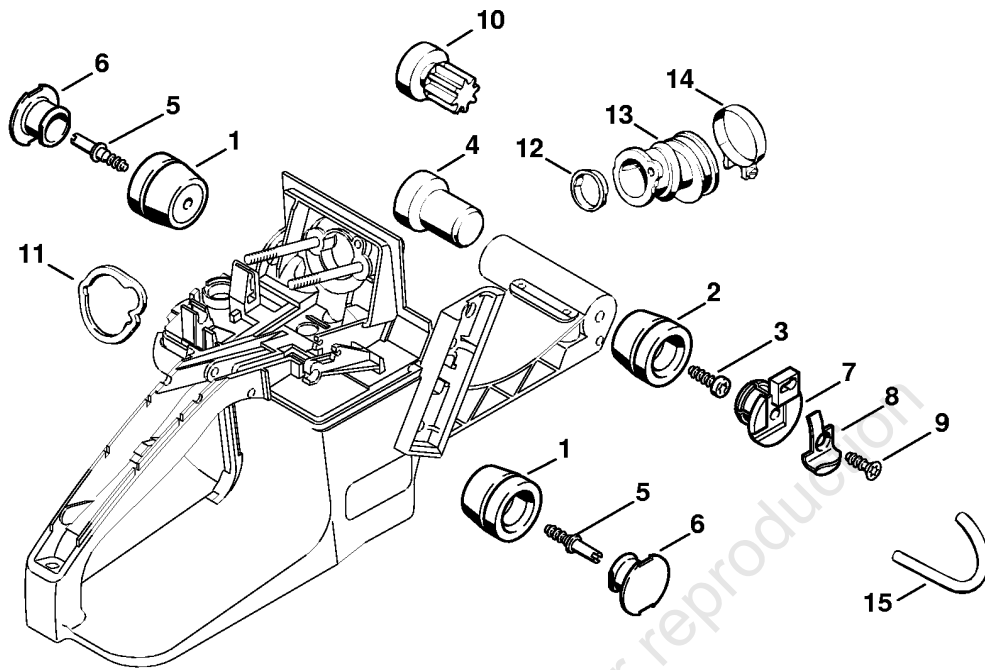
**Tank housing**



128ET087 SC

## Tank housing

Reference	Item number	Qty	Description	Contains	Up to
1	1125 350 0818	1	Tank housing	2, 4 - 8	
2	4116 122 6600	2	Collar screw		
3	* 1125 122 6600	2	Collar screw		32622639
4	0000 967 3662	1	Warning pictogram MS		
5	0000 350 0533	1	Filler cap	6	
6	9645 948 7734	1	O-ring 25x3.5		
7	0000 350 5800	1	Tank vent	8	
8		1	O-ring (D)		
9	* 0000 350 0520	1	Filler cap	10 - 12	
10	* 0000 359 1220	1	Sealing ring		
11	* 0000 350 0900	1	Rope		
12	* 0000 353 0600	1	Hook		
13	* 1110 353 1600	1	Valve		
14	* 1122 358 1800	1	Filter		
15	* 1121 350 5802	1	Tank vent	16, 17	
16	* 1120 358 8105	1	Vent insert		
17	* 9099 021 2770	1	Self-tapping screw 3.9x13		
18	* 1121 358 1800	1	Filter		147472308
19	* 1121 358 2500	1	Cap		147472308
20	* 1125 358 1000	1	Clip		147472308
21	* 1121 350 5800	1	Tank vent	16, 17	32185625
22	* 4114 353 1600	1	Valve		
23	1127 358 7703	1	Hose		
24	* 1119 358 7701	1	Hose		
25	0000 350 3518	1	Pickup body		
26	1121 791 0600	1	Handle molding		
27	9074 478 3076	1	Pan head self-tapping screw IS-P4x19		
28	0000 967 3500	1	Instruction label USA		
29		1	Instruction label (C) BR		



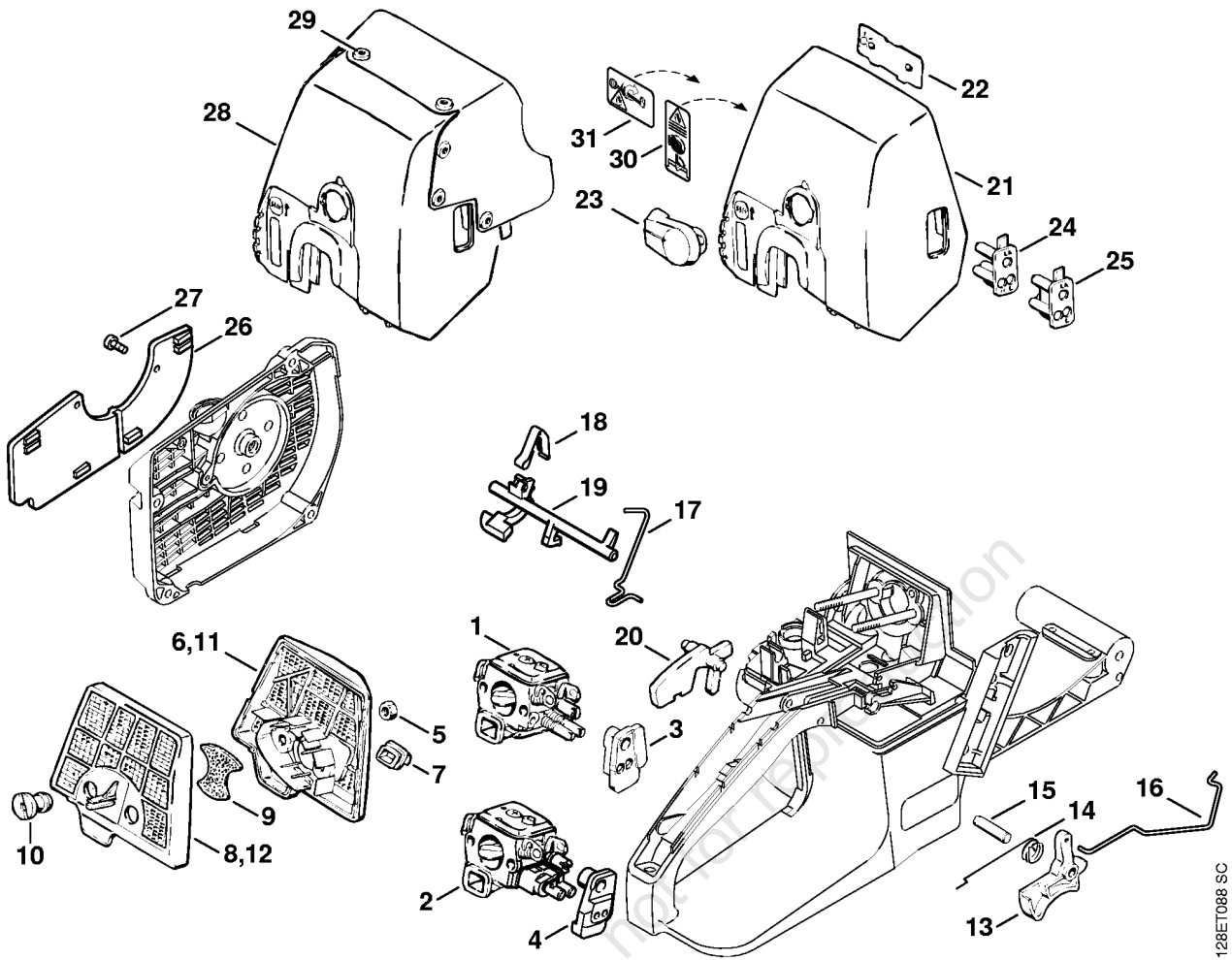
128ET083 SC

## AV system

Reference	Item number	Qty	Description	Contains	Up to
		1	AV system normal:		
1	1125 790 9904	2	Annular buffer 1125/04		
2	1125 790 9906	1	Annular buffer 1125/06		
		1	AV system hard:		
1	1125 790 9910	2	Annular buffer 1125/10		
2	1125 790 9904	1	Annular buffer 1125/04		
		1	AV system soft:		
1	1125 790 9906	2	Annular buffer 1125/06		
2	1125 790 9906	1	Annular buffer 1125/06		
3	9074 478 4435	1	Pan head self-tapping screw IS-P6x19		
4	1125 791 2805	1	Stop buffer		
5	1125 791 6200	2	Screw		
6	1125 791 7306	2	Plug		
7	1125 791 7300	1	Plug		
8	1125 650 7700	1	Chain catcher	9	
9	9104 003 3065	1	Self-tapping screw P6.3x18		
10	* 1125 790 9902	1	Annular buffer		14000463
11	1119 121 8600	1	Washer		
12	1119 141 1800	1	Sleeve		
13	1125 141 2200	1	Manifold		
14	9771 021 2580	1	Hose clip Ø 34x7		
15		1	Hose 3.1x6.7x102 mm (D)		
	0000 930 2804	1	Hose 3.1x6.7 mm x 1 m (A,B)		



**Air filter, Throttle control**



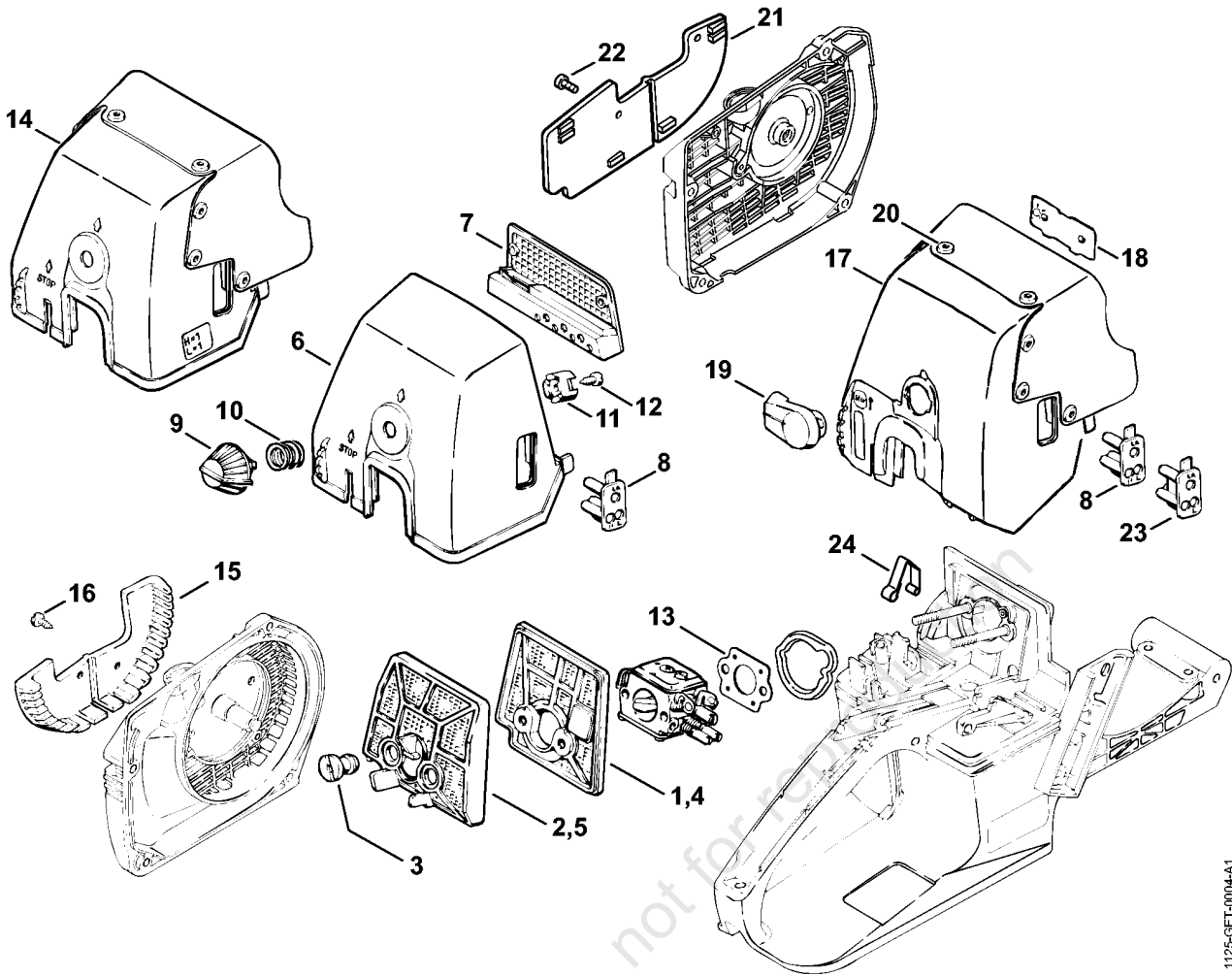
128ET088 SC

(1) 034, (2) 034 S

## Air filter, Throttle control

Reference	Item number	Qty	Description	Contains
1	1125 120 0613	1	Carburetor C3A-S31G (1)	
1	* 1125 120 0617	1	Carburetor C3A-S38B (2)	
1	* 1125 120 0606	1	Carburetor C3A-S19 (C) (2)	
2	1125 120 0615	1	Carburetor C3A-S39C CDN	
3	1125 123 7506	1	Grommet	
4	1125 123 7501	1	Grommet CDN	
5	9210 260 0700	2	Hexagon nut M5	
	1125 120 1612	1	Air filter	6 - 10
6	1125 120 1602	1	Air filter	7
7	1125 121 9100	1	Bushing	
8	1125 120 1607	1	Air filter	9
9	1125 122 4900	1	Filter insert	
10	1125 141 8300	1	Slotted nut	
	1125 120 1626	1	Air filter, fleece	7, 9 - 12
11	1125 120 1617	1	Air filter, fleece	7
12	1125 120 1622	1	Air filter, fleece	9
13	1118 182 1006	1	Throttle trigger	
14	1117 182 4500	1	Torsion spring	
15	9371 470 2640	1	Cylindrical pin 5x24	
16	1125 182 1502	1	Throttle rod	
17	1125 185 2002	1	Choke rod	
18	1125 442 1601	1	Contact spring	
19	1125 182 0901	1	Switch shaft	
20	1117 182 0805	1	Lockout lever	
21	1125 140 1903	1	Carburetor box cover	22, 23
22	1121 141 2900	1	Cover	
23	1130 141 2300	1	Twist lock	
24	1125 121 7700	1	Guide piece	
25	1125 121 7701	1	Guide piece CDN	
26	1125 084 8203	1	Cover plate (B)	
27	9041 216 0650	1	Pan head screw M4x10 (B)	
28	1125 140 1907	1	Carburetor box cover (B)	22 - 24, 29
29	9438 929 4040	7	Blind rivet 5x8 (B)	
30	0000 967 3605	1	Warning pictogram Filler cap USA, CDN	
31	* 0000 967 3692	1	Warning pictogram Filler cap USA, CDN	

**Air filter (08.2000), (31.2001)**

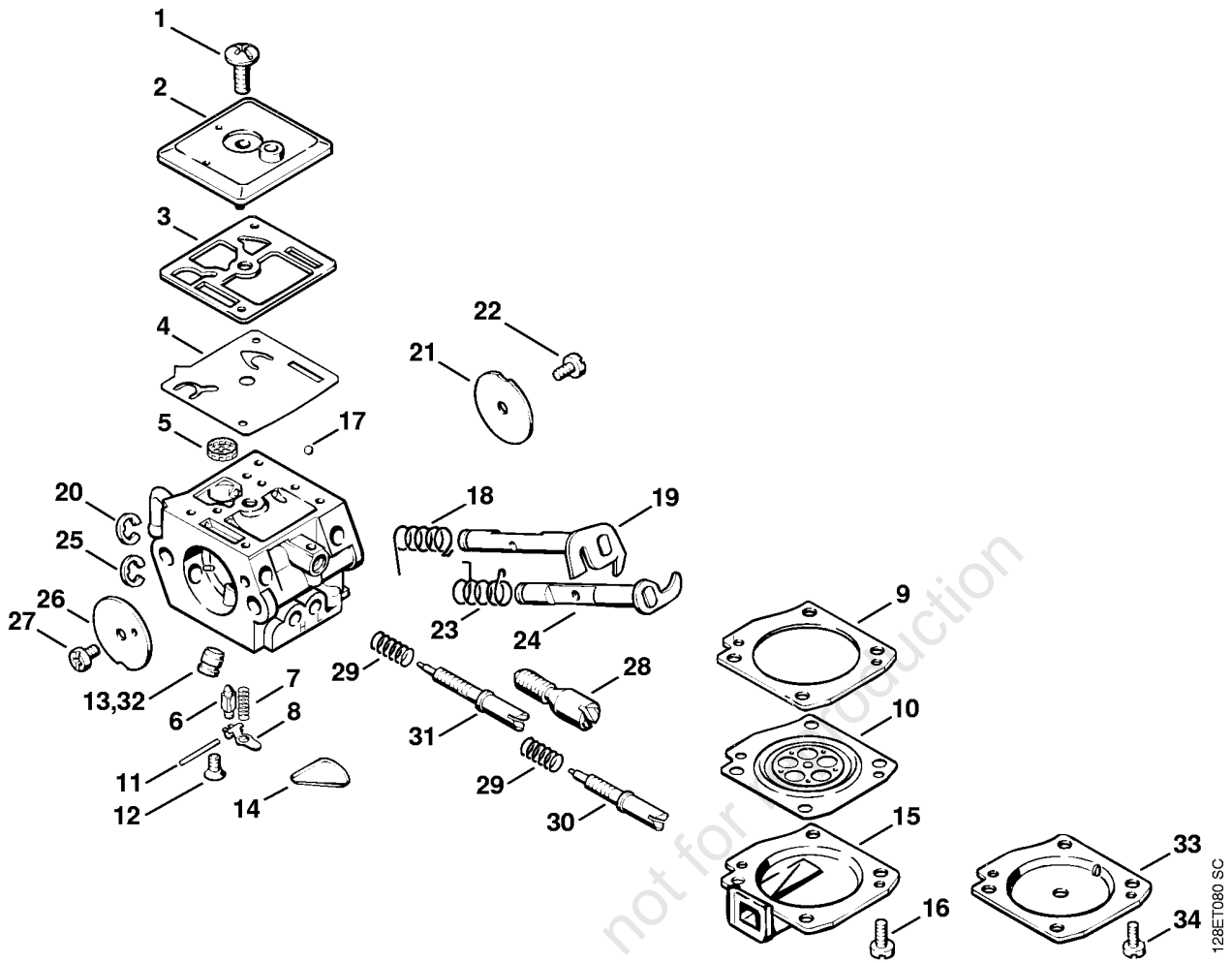


1125-GET-0004-A1

**Air filter (08.2000), (31.2001)**

Reference	Item number	Qty	Description	Contains	Up to
	* 1125 120 1610	1	Air filter	1 - 3	
1	* 1125 120 1600	1	Air filter		145945204
2	* 1125 120 1605	1	Air filter		145945204
3	* 1125 141 8300	2	Slotted nut		145945204
4	* 1125 120 1615	1	Air filter, fleece		145945204
5	* 1125 120 1620	1	Air filter, fleece		145945204
6	* 1125 140 1900	1	Carburetor box cover	7 - 12	145945204
7	* 1125 120 1501	1	Prefilter		145945204
8	* 1125 121 7700	1	Guide piece		145945204
9	* 1121 141 2300	1	Twist lock		145945204
10	* 0000 997 1335	1	Compression spring		145945204
11	* 1125 141 2101	1	Detent		145945204
12	* 9074 478 3025	1	Pan head self-tapping screw IS-P4x16		145945204
13	* 1125 129 0500	1	Gasket		18892139
	* 1125 007 1004	1	Intake air preheating kit (B)	7 - 12, 14 - 16	
14	* 1125 140 1905	1	Carburetor box cover (B)	7 - 12	
15	* 1125 084 8200	1	Cover plate (B)		
16	* 9099 021 2360	2	Self-tapping screw 3.5x9.5 (B)		
	* 1125 007 1042	1	Intake air preheating kit	8, 17 - 23	
17	* 1125 140 1907	1	Carburetor box cover	8, 18 - 20	
18	* 1121 141 2900	1	Cover		
19	* 1130 141 2300	1	Twist lock		
20	* 9438 929 4040	7	Blind rivet 5x8		
21	* 1125 084 8200	1	Cover plate		
22	* 9041 216 0650	1	Pan head screw M4x10		
23	* 1125 121 7701	1	Guide piece		
24	* 1125 442 1601	1	Contact spring		

**Carburetor C3A-S31**

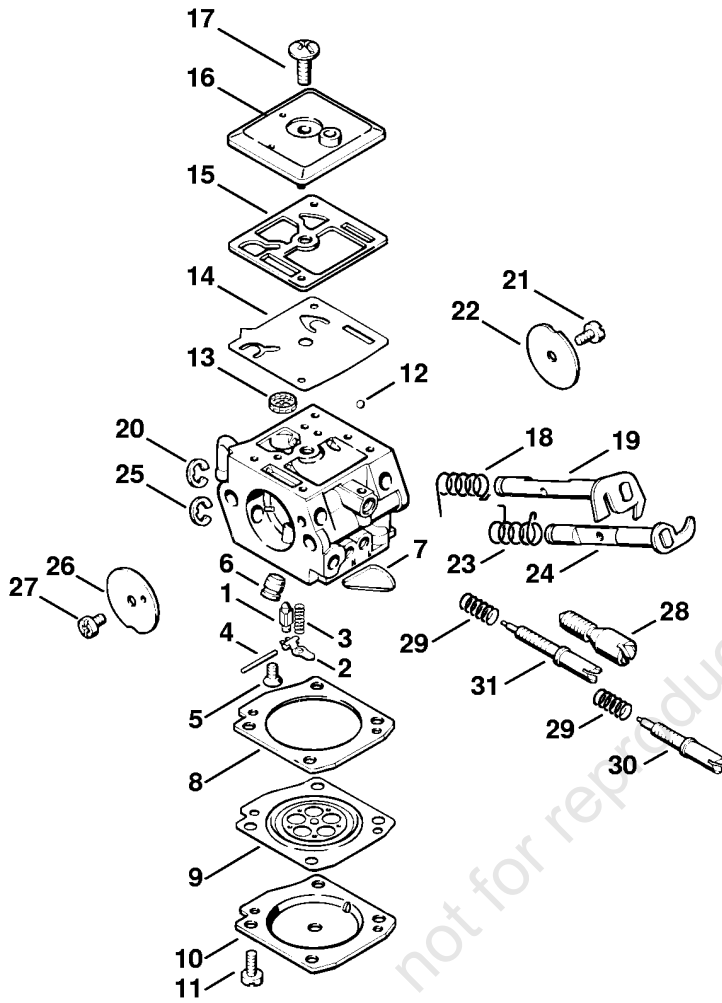


(1) 034, (2) 034 S

## Carburetor C3A-S31

Reference	Item number	Qty	Description	Contains	From Machine
	1125 120 0613	1	Carburetor C3A-S31G (1)	1 - 31	
1	1120 122 7800	1	Oval head screw (1)		
2	1125 121 0802	1	End cover (1)		
3	1125 129 0900	1	Gasket (1)		
4	1128 121 4802	1	Pump diaphragm (1)		
5	1123 121 7800	1	Strainer (1)		
6	Z000 018 Z000	1	Inlet needle (1)		
7	1120 122 3004	1	Spring (1)		
8	1125 121 5000	1	Inlet control lever (1)		
9	1125 129 0901	1	Gasket (1)		
10	1125 121 4700	1	Metering diaphragm (1)		
11	1120 121 9200	1	Spindle (1)		
12	1120 122 6600	1	Collar screw (1)		
13	1125 121 5408	1	Valve jet 0.58 (1)		
14	1123 121 0700	1	Cup plug (1)		
15	1125 121 0804	1	End cover (1)		
16	1120 122 6601	4	Collar screw (1)		
17	1125 122 4200	1	Clamp (1)		
18	1125 122 3202	1	Torsion spring (1)		
19	1125 120 7101	1	Throttle shaft with lever (1)		
20	1125 122 9001	1	E-clip (1)		
21	1125 121 3301	1	Throttle shutter (1)		
22	1125 122 7402	1	Round head screw (1)		
23	1125 122 3203	1	Torsion spring (1)		
24	1125 120 7201	1	Choke shaft with lever (1)		
25	1125 122 9003	1	E-clip (1)		
26	1125 121 2901	1	Choke shutter (1)		
27	1125 122 7403	1	Round head screw (1)		
28	1125 122 6200	1	Idle speed screw (1)		
29	1120 122 3005	2	Spring (1)		
30	1125 122 6702	1	High speed screw (1)		
31	1125 122 6802	1	Low speed screw (1)		
32	1125 121 5409	1	Valve jet 0.56 (B) High altitude (1)		
33	* 1125 121 0803	1	End cover (1)		32622639
34	* 4132 122 6600	4	Collar screw (1)		32622639
	1128 007 1065	1	Set of carburetor parts (1)	3 - 10	

**Carburetor C3A-S19, C3A-S38**



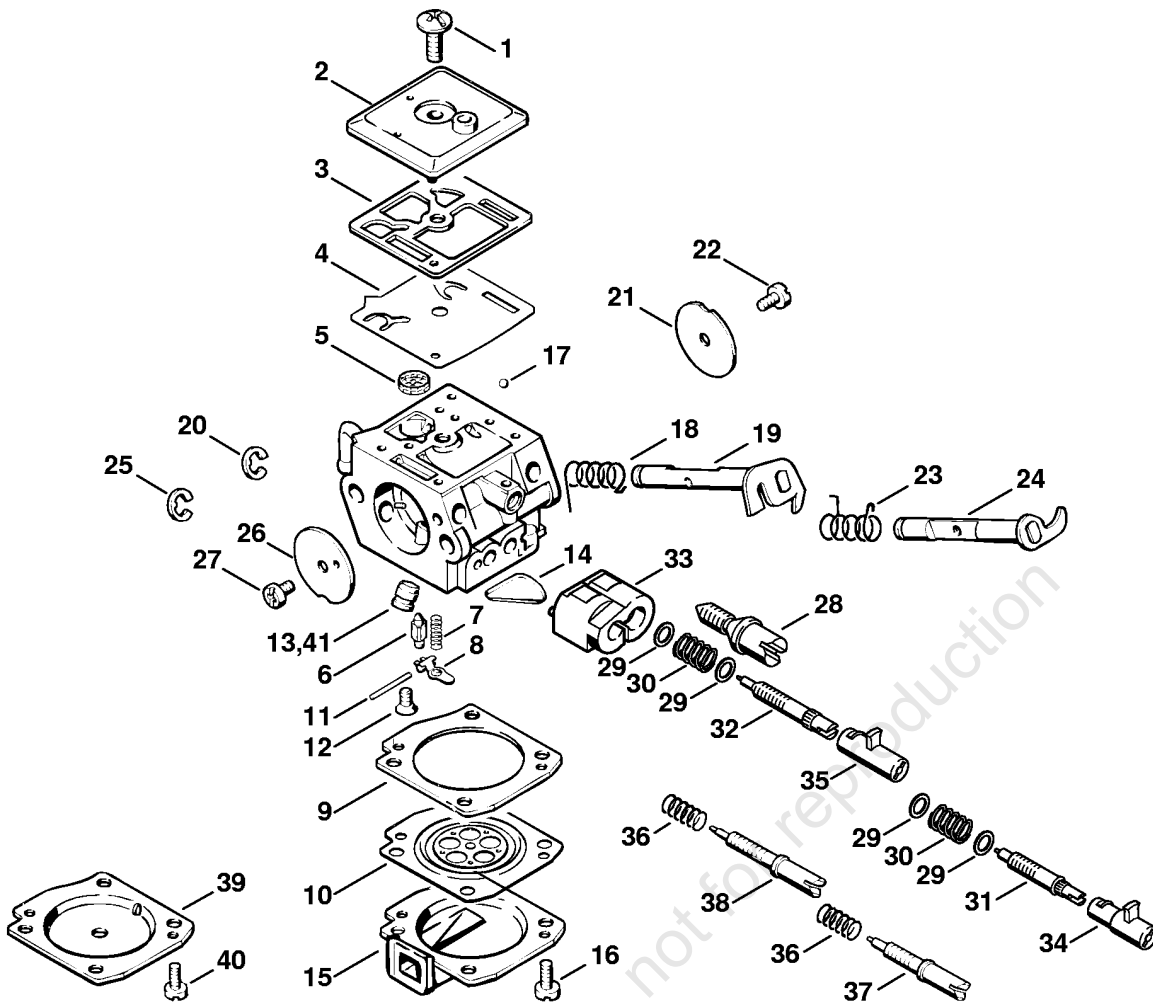
128ET055 SC

## Carburetor C3A-S19, C3A-S38

Reference	Item number	Qty	Description	Contains
	1125 120 0617	1	Carburetor C3A-S38B (2)	1 - 31
	* 1125 120 0606	1	Carburetor C3A-S19 (C) (2)	1 - 31
1	Z000 018 Z000	1	Inlet needle (2)	
2	1125 121 5000	1	Inlet control lever (2)	
3	1120 122 3004	1	Spring (2)	
4	1120 121 9200	1	Spindle (2)	
5	1120 122 6600	1	Collar screw (2)	
6	1125 121 5408	1	Valve jet 0.58 (2)	
6	* 1125 121 5402	1	Valve jet 0.60 (2)	
7	1123 121 0700	1	Cup plug (2)	
8	1125 129 0901	1	Gasket (2)	
9	1125 121 4700	1	Metering diaphragm (2)	
10	1125 121 0803	1	End cover (2)	
11	4132 122 6600	4	Collar screw (2)	
12	1125 122 4200	1	Clamp (2)	
13	1123 121 7800	1	Strainer (2)	
14	1128 121 4802	1	Pump diaphragm (2)	
15	1125 129 0900	1	Gasket (2)	
16	1125 121 0802	1	End cover (2)	
17	1120 122 7800	1	Oval head screw (2)	
18	1125 122 3202	1	Torsion spring (2)	
19	1125 120 7101	1	Throttle shaft with lever (2)	
20	1125 122 9001	1	E-clip (2)	
21	1125 122 7402	1	Round head screw (2)	
22	1125 121 3301	1	Throttle shutter (2)	
23	1125 122 3203	1	Torsion spring (2)	
24	1125 120 7201	1	Choke shaft with lever (2)	
25	1125 122 9003	1	E-clip (2)	
26	1125 121 2901	1	Choke shutter (2)	
27	1125 122 7403	1	Round head screw (2)	
28	1125 122 6200	1	Idle speed screw (2)	
29	1120 122 3005	2	Spring (2)	
30	1125 122 6702	1	High speed screw (2)	
30	* 1125 122 6701	1	High speed screw (2)	
31	* 1125 122 6801	1	Low speed screw (2)	
31	1125 122 6702	1	High speed screw (2)	
	1128 007 1065	1	Set of carburetor parts (2)	1 - 3, 8, 9, 13 - 17



**Carburetor C3A-S39**



128ET084-SC

(1) 034, (2) 034 S

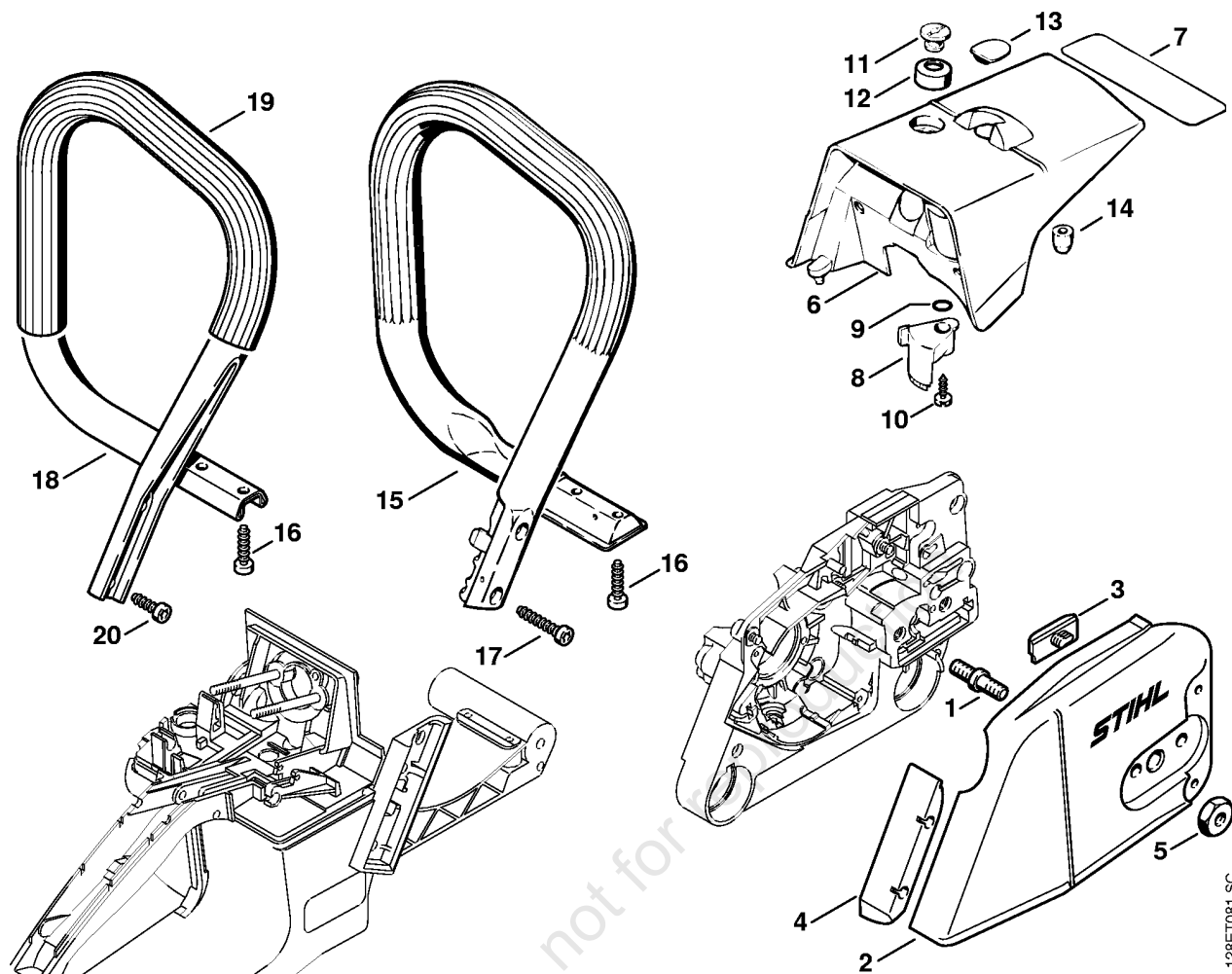
## Carburetor C3A-S39

Reference	Item number	Qty	Description	Contains	Up to
	1125 120 0615	1	Carburetor C3A-S39C CDN	1 - 35	
1	1120 122 7800	1	Oval head screw CDN		
2	1125 121 0802	1	End cover CDN		
3	1125 129 0900	1	Gasket CDN		
4	1128 121 4802	1	Pump diaphragm CDN		
5	1123 121 7800	1	Strainer CDN		
6	Z000 018 Z000	1	Inlet needle CDN		
7	1120 122 3004	1	Spring CDN		
8	1125 121 5000	1	Inlet control lever CDN		
9	1125 129 0901	1	Gasket CDN		
10	1125 121 4700	1	Metering diaphragm CDN		
11	1120 121 9200	1	Spindle CDN		
12	1120 122 6600	1	Collar screw CDN		
13	1125 121 5408	1	Valve jet 0.58 CDN		
14	1123 121 0700	1	Cup plug CDN		
15	1125 121 0804	1	End cover CDN		
16	1120 122 6601	4	Collar screw CDN		
17	1125 122 4200	1	Clamp CDN		
18	1125 122 3202	1	Torsion spring CDN		
19	1125 120 7101	1	Throttle shaft with lever CDN		
20	1125 122 9001	1	E-clip CDN		
21	1125 121 3301	1	Throttle shutter CDN		
22	1125 122 7402	1	Round head screw CDN		
23	1125 122 3203	1	Torsion spring CDN		
24	1125 120 7201	1	Choke shaft with lever CDN		
25	1125 122 9003	1	E-clip CDN		
26	1125 121 2901	1	Choke shutter CDN		
27	1125 122 7403	1	Round head screw CDN		
28	1125 122 6200	1	Idle speed screw CDN		
29	4135 121 8600	4	Washer CDN		
30	1125 122 3000	2	Spring CDN		
31	1125 122 6703	1	High speed screw CDN		
32	1125 122 6803	1	Low speed screw CDN		
33	1125 122 4600	1	Support CDN		
34	1125 121 2700	1	Cap CDN		
35	1125 121 2701	1	Cap CDN		
	* 1125 120 0617	1	Carburetor C3A-S38B CDN	1 - 14, 17 - 28, 36 - 40	145945204

## Carburetor C3A-S39

Reference	Item number	Qty	Description	Contains	Up to
36	* 1120 122 3005	2	Spring CDN		145945204
37	* 1125 122 6702	1	High speed screw CDN		145945204
38	* 1125 122 6802	1	Low speed screw CDN		145945204
39	* 1125 121 0803	1	End cover CDN		145945204
40	* 4132 122 6600	4	Collar screw CDN		145945204
41	1125 121 5409	1	Valve jet 0.56 (B) High altitude		
	1125 007 1065	1	Set of carburetor parts CDN	3 - 10	

online version, not for reproduction

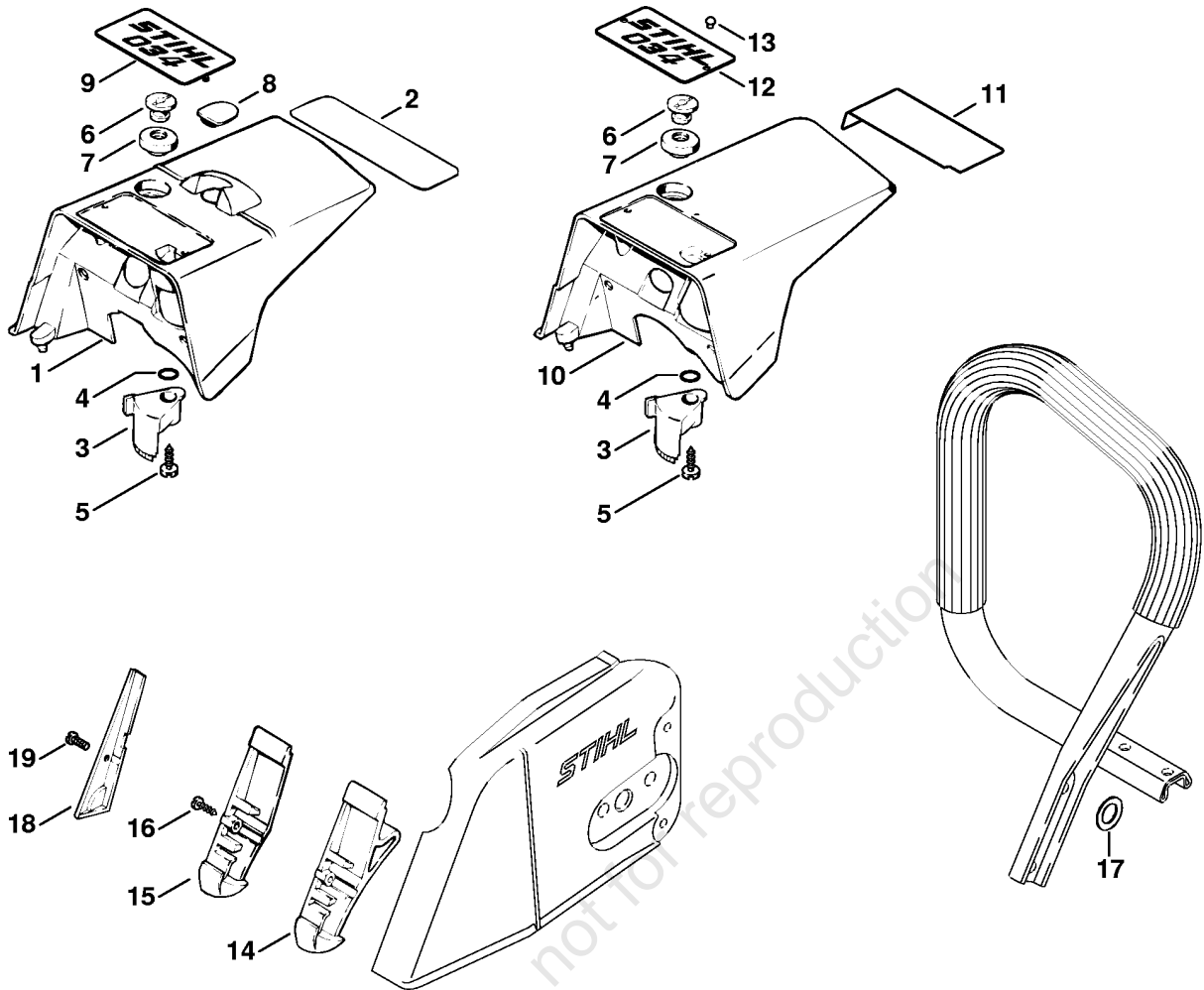


128ET081 SC

## Chain sprocket cover, Handlebar

Reference	Item number	Qty	Description	Contains
1	0000 953 6605	2	Collar screw M8	
2	1125 640 1701	1	Chain sprocket cover	3, 4
3	1121 648 6610	2	Bumper strip	
4	1125 656 1501	1	Guard	
5	0000 955 0801	2	Hexagon nut M8	
6	1125 080 1620	1	Shroud	7 - 13
7	1128 792 0900	1	Reflector foil	
8	1125 080 8000	1	Shutter	9, 10
9	9646 945 0590	1	O-ring 8x2	
10	9099 021 3760	1	Self-tapping screw 4.8x13	
11	1121 084 7000	1	Slotted nut	
12	1121 084 6901	1	Insulator	
13	1122 084 7100	1	Cap	
14	1121 084 7100	1	Cap	
15	1125 790 1750	1	Handlebar (1)	16, 17
16	9074 478 4475	2	Pan head self-tapping screw IS-P6x21.5	
17	9074 478 4675	2	Pan head self-tapping screw IS-P6x32.5 (1)	
18	1125 790 1751	1	Handlebar (2)	16, 19, 20
19		1	Handle hose 430 mm / 16 15/16" (D) (2)	
	0000 791 2009	1	Handle hose Ø 19 mm x 5 m / 3/4x197" (B) (2)	
20	9074 478 4435	2	Pan head self-tapping screw IS-P6x19 (2)	

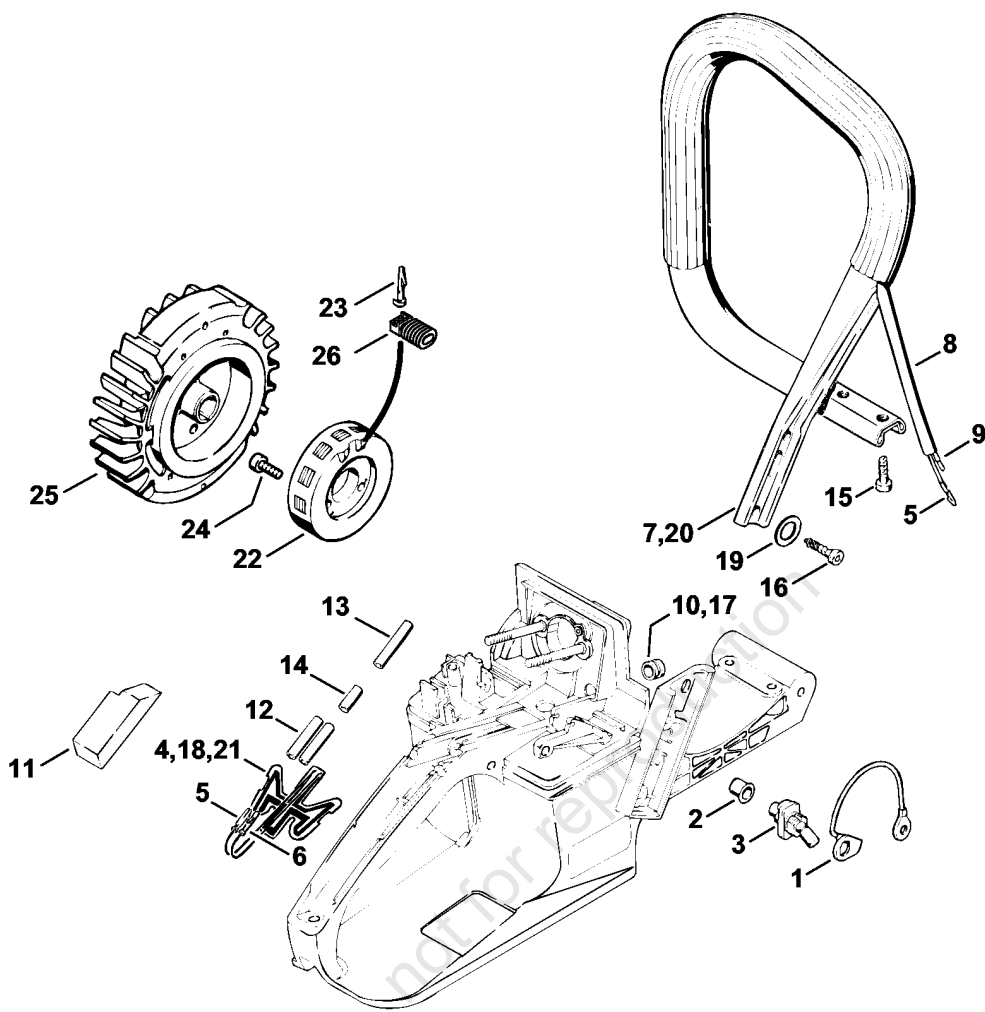
**Shroud (31.2001)**



128ET082 SC

## Shroud (31.2001)

Reference	Item number	Qty	Description	Contains	Up to
1	* 1125 080 1617	1	Shroud	2 - 8	
2	* 1128 792 0900	1	Reflector foil		
3	* 1125 080 8000	1	Shutter	4, 5	
4	* 9646 945 0590	1	O-ring 8x2		
5	* 9099 021 3760	1	Self-tapping screw 4.8x13		
6	* 1121 084 7000	1	Slotted nut		
7	* 1121 084 6901	1	Insulator		
8	* 1122 084 7100	1	Cap		
9	* 1125 967 1507	1	Model plate 034		
10	* 1125 080 1603	1	Shroud	3 - 7, 11	145945204
11	* 1119 084 8300	1	Reflector foil		145945204
12	* 1125 967 1506	1	Model plate 034		
13	* 0000 974 1000	1	Round head rivet 3x6		
14	* 1125 656 1500	1	Guard		19332484
15	* 1125 656 1505	1	Guard (B)		19332484
16	* 9099 021 1760	1	Self-tapping screw 2.9x9.5		19332484
17	* 9294 021 0140	2	Washer 6.4		16624198
18	* 1121 656 1500	1	Guard		15057652
19	* 9039 488 0340	1	Self-tapping screw M3x8		15057652

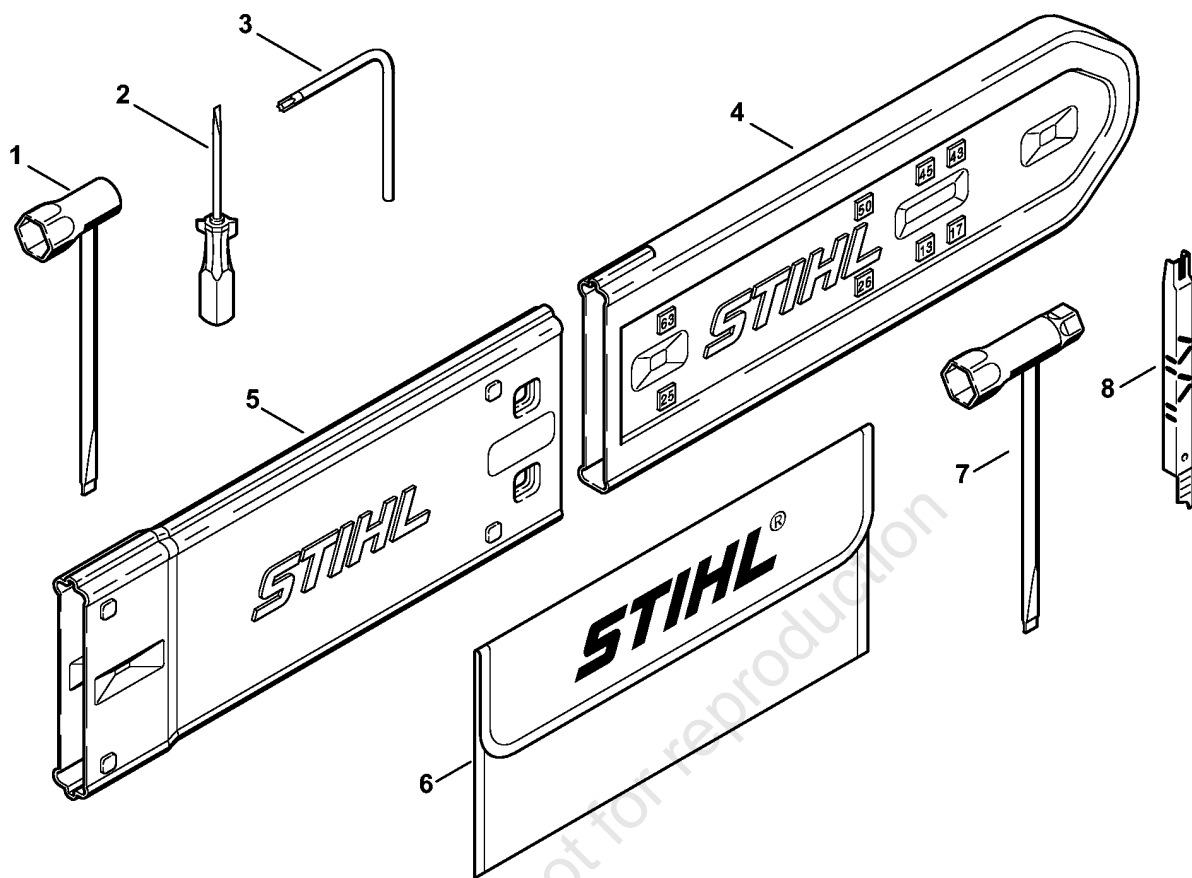


128E1070 SC



## Heating

Reference	Item number	Qty	Description	Contains	Up to	Technical Information
1	1121 440 2201	1	Ground wire			
2	1110 432 9200	1	Grommet			
3	1121 430 0200	1	Heating switch			
4	1128 434 5000	1	Heating element	5, 6		
5	1118 431 6700	1	Terminal socket (C)			
6	1118 431 6600	1	Terminal pin (C)			
7	1125 790 1702	1	Handlebar	5, 8, 9		
8	1124 442 0400	1	Insulating hose 160 mm / 6.3"			
9	0000 442 7000	1	Contact sleeve (C)			
10	0000 989 0815	1	Grommet			
11	1121 791 9000	1	Clamp			
12	1121 442 0402	2	Insulating hose 35 mm / 1.4"			
13	1121 442 0406	1	Insulating hose 40 mm / 1.6"			
14	1125 442 0401	1	Hose 15mm / 5/8"			
15	9074 478 4435	2	Pan head self-tapping screw IS-P6x19			
16	9074 478 4475	2	Pan head self-tapping screw IS-P6x21.5			
17	* 0000 989 0808	1	Grommet		16154158	
18	* 1121 434 5000	1	Heating element	5	16154158	
19	* 9294 021 0140	2	Washer 6.4		16398262	
20	* 1125 790 1707	1	Handlebar	5, 8, 9		
21	* 1125 434 5000	1	Heating element	5, 6		
22	* 1128 404 3500	1	Generator	23		
23	* 1118 431 6600	1	Terminal pin (C)			
24	* 9041 216 0540	3	Pan head screw M3.5x12			
25	* 1125 400 1205	1	Flywheel			25.2005
26	* 1121 405 1900	1	Support			



online version, not for reproduction

1125-GET-0003-A0

**Tools, Extras**

Reference	Item number	Qty	Description	Contains
	1121 890 1400	1	Tool kit available in Brazil only	1 - 3
1	1119 890 3405	1	Combination wrench	
2	0000 890 2300	1	Screwdriver	
3	0812 370 1000	1	Screwdriver T27x120x70	
4	0000 792 9129	1	Chain scabbard	
5	0000 792 9132	1	Chain scabbard extension up to 63 cm (B,C)	
6	0000 891 0810	1	Tool roll (B)	
7	1129 890 3401	1	Combination wrench	
8	1110 893 4000	1	Filing gauge (B)	

online version, not for reproduction