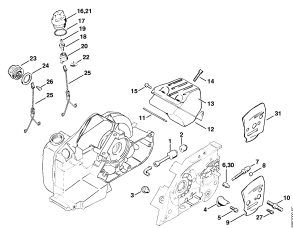
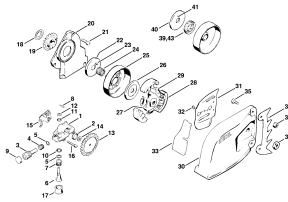


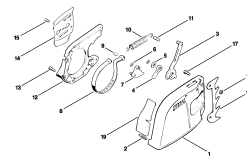
Crankcase, Cylinder



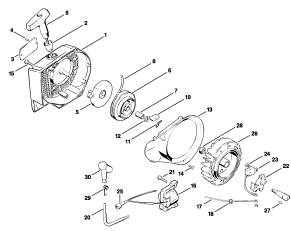
Pickup body, Muffler



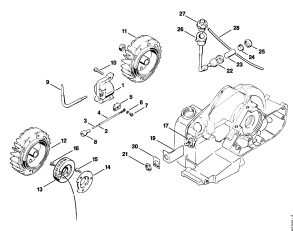
Oil pump, Clutch, Chain sprocket cover



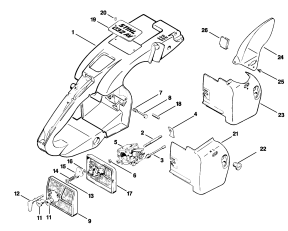
Chain brake



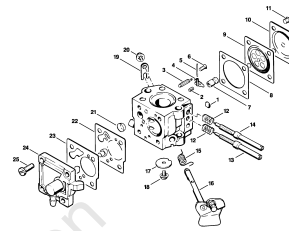
Fan housing, Set of points



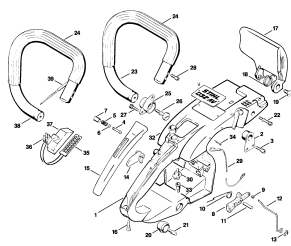
Trigger unit, Pickup body



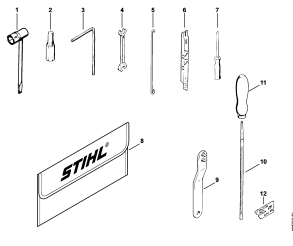
Handle frame, Air filter



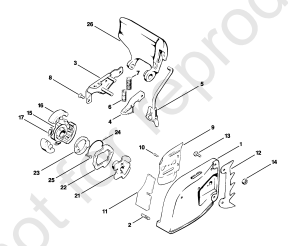
Carburetor



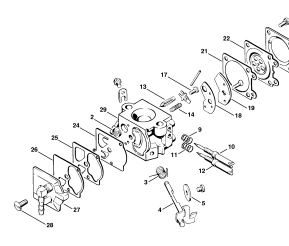
Handle frame



Tools, Extras



Chain brake with isolating clutch



Carburetor WA-49 → 7 683 698

**Description**

Crankcase, Cylinder

Pickup body, Muffler

Oil pump, Clutch, Chain sprocket cover

Chain brake

Fan housing, Set of points

Trigger unit, Pickup body

Handle frame, Air filter

Carburetor

Handle frame

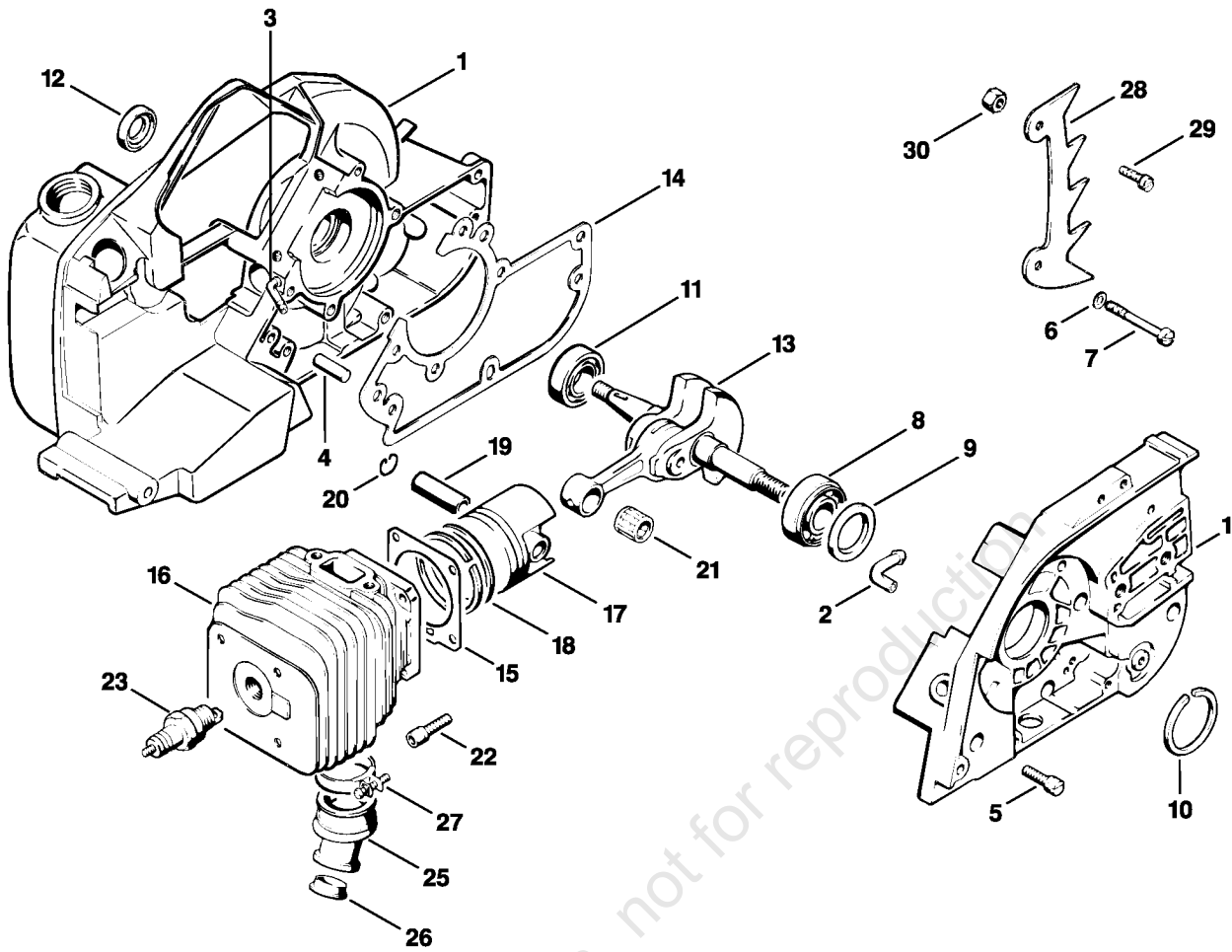
Tools, Extras

Chain brake with isolating clutch

Carburetor WA-49 → 7 683 698

online version, not for reproduction

**Crankcase, Cylinder**



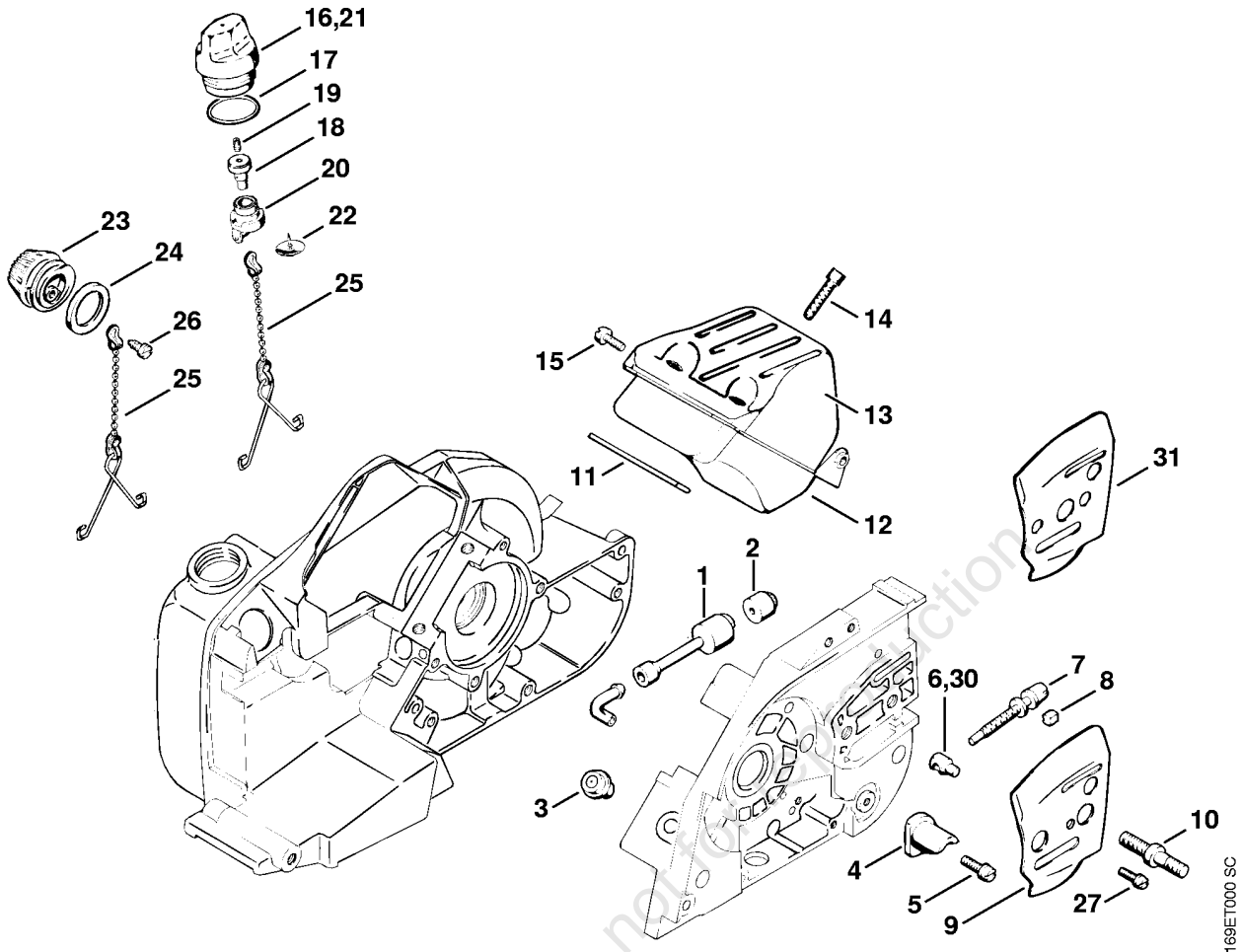
169ET001 LÄ

## Crankcase, Cylinder

Reference	Item number	Qty	Description	Contains	Up to
1	1113 020 2107	1	Crankcase (1,2,3,5,7,8)	2 - 11	
1	1113 020 2108	1	Crankcase (4,6)	2 - 11	
2	1113 028 7400	1	Connector		
3	1111 122 3900	1	Elbow connector		
4	9371 470 3120	2	Cylindrical pin 6x20		
5	9048 216 1010	7	Pan head screw M5x18		
6	9307 021 0120	1	Washer 5.3		
7	9043 216 1100	1	Pan head screw M5x45		
8	9523 003 4440	1	Grooved ball bearing 15x35x13.5	9	
9	9640 003 2390	1	Oil seal 21.05x29.6x4		
10	9465 620 2620	1	Snap ring 37		
11	9503 003 0310	1	Grooved ball bearing 6002		
12	9640 003 1340	1	Oil seal 13x22x5		
13	1113 030 0400	1	Crankshaft		
14	1113 029 0505	1	Gasket		
15	1118 029 2305	1	Cylinder gasket		
	* 9639 003 2390	1	Oil seal 21.05x29.6x4		8581011
16	1113 020 1203	1	Cylinder with piston Ø 45 mm (C)	17 - 20	
17	1113 030 2003	1	Piston Ø 45 mm	18 - 20	
18	1113 034 3006	2	Piston ring Ø 45x1.5 mm		
19	1110 034 1500	1	Piston pin 10x6x32		
20	9462 650 1000	2	Snap ring 10		
21	9512 003 2340	1	Needle cage 10x14x13		
22	9036 341 1010	4	Socket head screw M5x18		
23	1110 400 7005	1	Spark plug Bosch WSR 6 F		
25	1113 141 2201	1	Manifold		
26	1113 141 1805	1	Sleeve		
27	9771 021 2540	1	Hose clip Ø 29x7		
28	1110 664 0501	1	Bumper spike (B)		
29	9079 319 0960	1	Flat head screw M5x12 (B)		
30	9214 320 0700	1	Lock nut M5 (B)		

(1) 032 AV, (2) 032 AVE, (3) 032 AVEQ, (4) 032 AVEQW, (5) 032 AVEQZ, (6) 032 AVEW, (7) 032 AVEZ, (8) 032 AVQ

**Pickup body, Muffler**



169ET000 SC

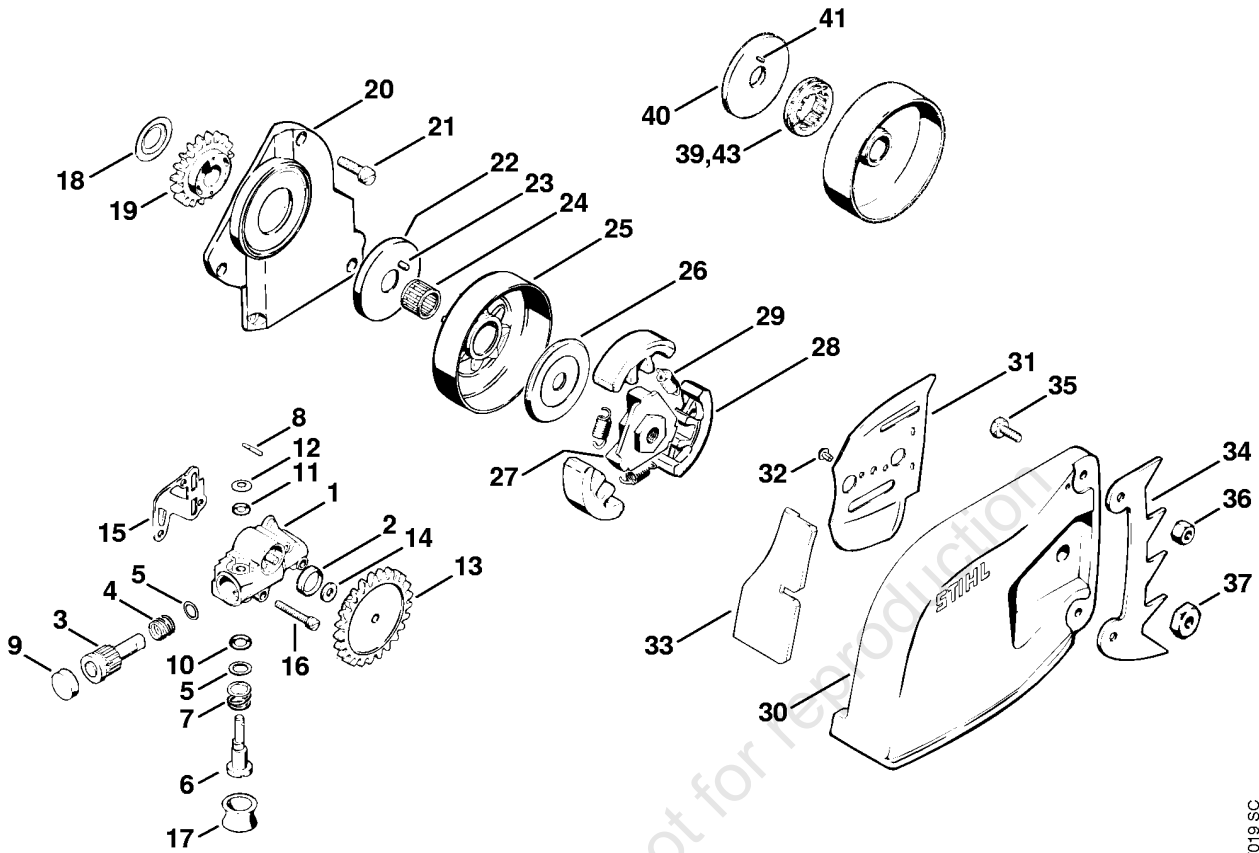
(1) 032 AV, (2) 032 AVE, (3) 032 AVEQ, (4) 032 AVEQW, (5) 032 AVEQZ, (6) 032 AVEW, (7) 032 AVEZ, (8) 032 AVQ

## Pickup body, Muffler

Reference	Item number	Qty	Description	Contains	Up to
1	1106 647 9404	1	Hose		
2	1106 640 3801	1	Pickup body		
3	1113 640 9100	1	Valve		
4	1114 656 7700	1	Chain catcher		
5	9021 319 0670	1	Pan head screw M4x14-Z1		
6	1120 664 1500	1	Tensioning nut		
7	1110 664 1600	1	Adjusting screw		
8	1110 021 9000	1	Clamp		
9	1122 664 1000	1	Inner side plate 0.5 mm		
10	1110 664 2400	2	Collar screw		
11	1113 149 0600	1	Muffler gasket		
	1113 140 0608	1	Muffler (1,2,3,4,6,8)	12, 13	
12	1113 145 0701	1	Inlet casing		
13	1113 145 1001	1	Outlet-shell		
	1113 140 0609	1	Muffler (A) (5,7)		
14	9036 341 0940	2	Socket head screw M5x48		
15	9045 371 0960	3	Socket head screw M5x12		
16	1114 350 0502	1	Filler cap	17 - 20	
17	9645 945 2620	1	O-ring 23x2.5		
18	1110 353 8100	1	Insert		
19	0000 951 5800	1	Grub screw		
20	1110 353 2108	1	Valve body		
21	1114 350 0500	1	Filler cap (B)	17, 20, 22, 25	
22	1110 353 1600	1	Valve		
	1117 640 3600	1	Oil filler cap	23 - 26	
23	1117 646 0600	1	Filler cap		
24	0000 992 6305	1	Sealing ring		
25	1117 350 0901	1	Filler cap retainer		
26	9099 021 2360	1	Self-tapping screw 3.5x9.5		
27	9048 319 0660	1	Pan head screw M4x12		
30	* 1110 664 1500	1	Tensioning nut		12469625
31	* 1113 664 1001	1	Inner side plate		12562035

(1) 032 AV, (2) 032 AVE, (3) 032 AVEQ, (4) 032 AVEQW, (5) 032 AVEQZ, (6) 032 AVEW, (7) 032 AVEZ, (8) 032 AVQ

**Oil pump, Clutch, Chain sprocket cover**



169ET019 SC

(1) 032 AV, (2) 032 AVE, (3) 032 AVEQ, (4) 032 AVEQW, (5) 032 AVEQZ, (6) 032 AVEW, (7) 032 AVEZ, (8) 032 AVQ

## Oil pump, Clutch, Chain sprocket cover

Reference	Item number	Qty	Description	Contains
	1113 640 3201	1	Oil pump	1 - 14
1	1117 640 3001	1	Pump housing	2
2	9643 950 1160	1	Sealing ring 12x16x3	
3	1117 647 0601	1	Pump piston	
4	0000 997 1010	1	Compression spring	
5	0000 958 0701	2	Washer	
6	1117 647 4801	1	Control bolt	
7	0000 997 1200	1	Helical spring	
8	1117 647 9800	1	Pin	
9	0000 988 6220	1	Plug	
10	9646 945 0490	1	O-ring 7x1.5	
11	9646 945 0230	1	O-ring 5x1.25	
12	9486 648 0100	1	Cup spring 10	
13	1113 640 7100	1	Worm	
14	0000 958 0402	1	Washer	
15	1117 649 1100	1	Gasket	
16	9048 319 0740	3	Pan head screw M4x25	
17	0000 989 0401	1	Rubber ring	
18	1113 162 8903	1	Thrust washer	
19	1113 647 1802	1	Spur gear	
20	1113 021 1100	1	Cover	
21	9048 319 0660	4	Pan head screw M4x12	
22	1113 030 7500	1	Cover washer	23
23	9517 003 0490	1	Cylindrical roller 2.5x16.8	
24	9512 933 3000	1	Needle cage 12x15x13	
25	1113 640 2000	1	Chain sprocket 3/8"	
25	1113 640 2005	1	Chain sprocket 0.325" (B)	
26	1110 162 8900	1	Washer	
	1113 160 2010	1	Clutch	27 - 29
27	1113 162 3205	1	Carrier	
28	1113 162 0802	3	Clutch shoe	
29	0000 997 5811	3	Tension spring	
30	1113 648 0401	1	Chain sprocket cover (1,2,6,7)	
31	1113 664 1100	1	Outer side plate	
32	9441 065 1910	2	Round head rivet 3x8	
33	1113 656 1501	1	Guard plate	
34	1110 664 0501	1	Bumper spike	
35	9008 345 0960	2	Hexagon head screw M5x12	

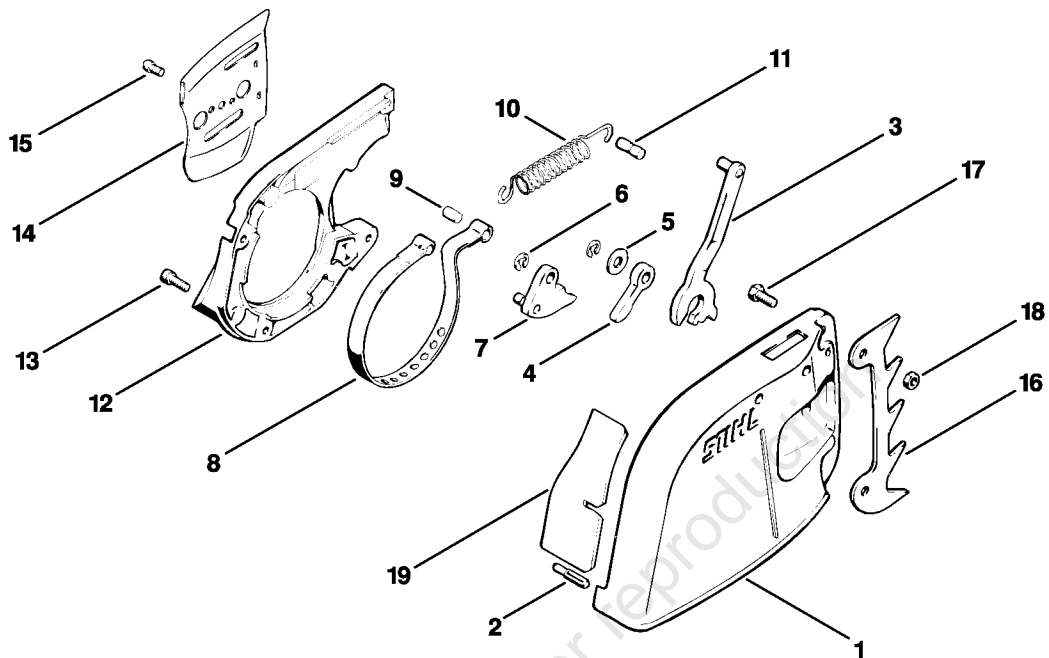
(1) 032 AV, (2) 032 AVE, (3) 032 AVEQ, (4) 032 AVEQW, (5) 032 AVEQZ, (6) 032 AVEW, (7) 032 AVEZ, (8) 032 AVQ



## Oil pump, Clutch, Chain sprocket cover

Reference	Item number	Qty	Description	Contains
36	9214 320 0700	2	Lock nut M5	
37	0000 955 0801	2	Hexagon nut M8	
	1113 007 1040	1	Rim sprocket kit 3/8" 7T (B)	39 - 41
39	0000 642 1230	1	Rim sprocket 3/8" 7T	
40	1113 030 7501	1	Cover washer	41
41	9517 003 0460	1	Cylindrical roller 2.5x12.8	
	1113 007 1041	1	Rim sprocket kit 0.325" 8T (B)	40 - 43
43	0000 642 1235	1	Rim sprocket 0.325" 8T	

online version, not for reproduction



online version, not for reproduction

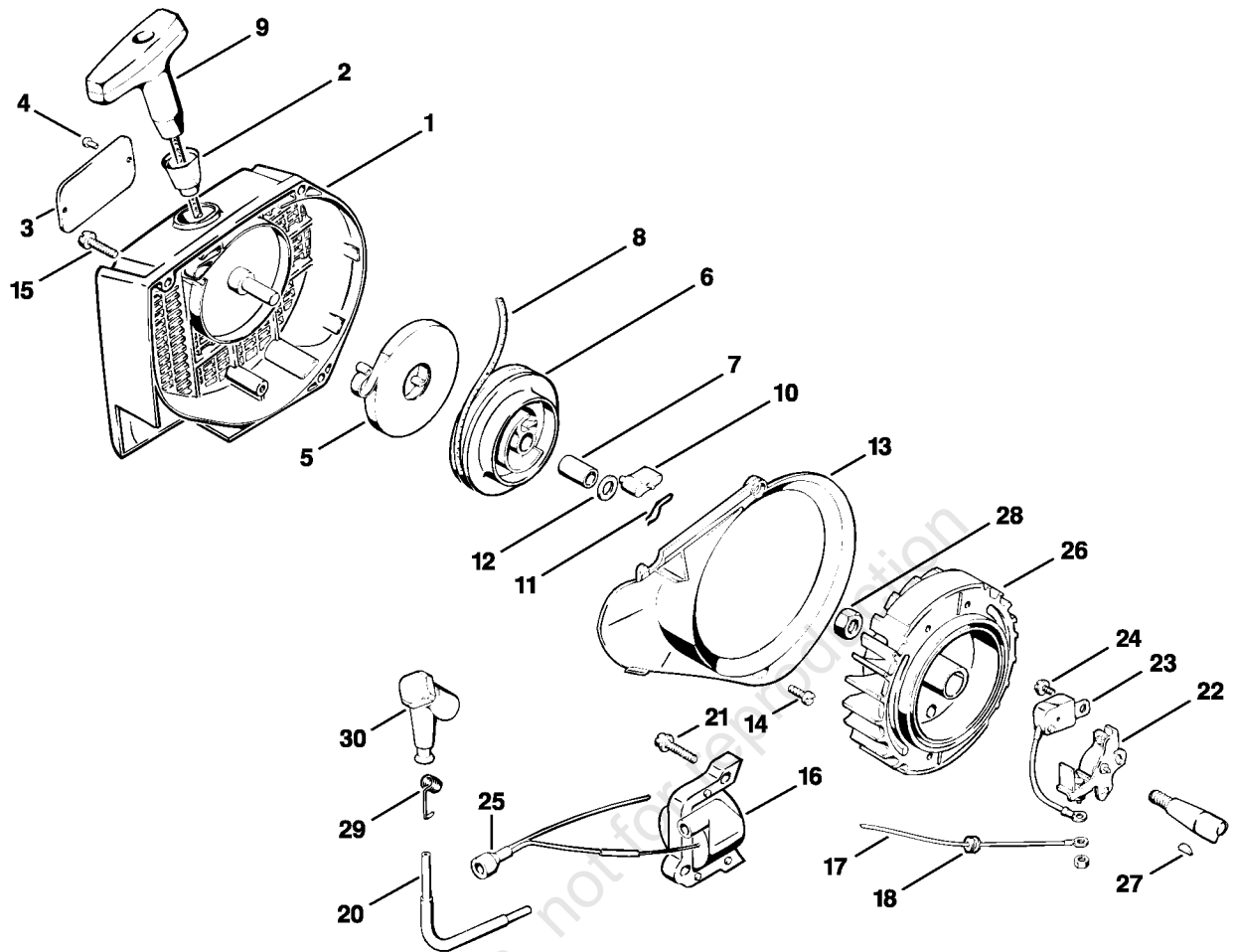
169ET006 LÄ

(1) 032 AV, (2) 032 AVE, (3) 032 AVEQ, (4) 032 AVEQW, (5) 032 AVEQZ, (6) 032 AVEW, (7) 032 AVEZ, (8) 032 AVQ

## Chain brake

Reference	Item number	Qty	Description	Contains
	1113 640 1706	1	Chain sprocket cover (3,4,5,8)	1 - 19
1	1113 640 1705	1	Chain sprocket cover	2
2	0000 971 0608	1	Pin	
3	1113 160 5001	1	Lever	
4	1115 162 5005	1	Lever	
5	0000 958 0702	1	Washer	
6	9460 624 0500	2	E-clip 5	
7	1113 160 5100	1	Cam	
8	1113 160 5400	1	Brake band	
9	1118 162 5220	1	Pin	
10	1115 162 7900	1	Tension spring	
11	1115 162 5220	1	Pin	
12	1113 648 7700	1	Cover	
13	9048 319 0660	4	Pan head screw M4x12	
14	1113 664 1100	1	Outer side plate	
15	9048 319 0650	1	Pan head screw M4x10	
16	1110 664 0501	1	Bumper spike	
17	9008 345 0960	2	Hexagon head screw M5x12	
18	9214 320 0700	2	Lock nut M5	
19	1113 656 1501	1	Guard plate	

**Fan housing, Set of points**

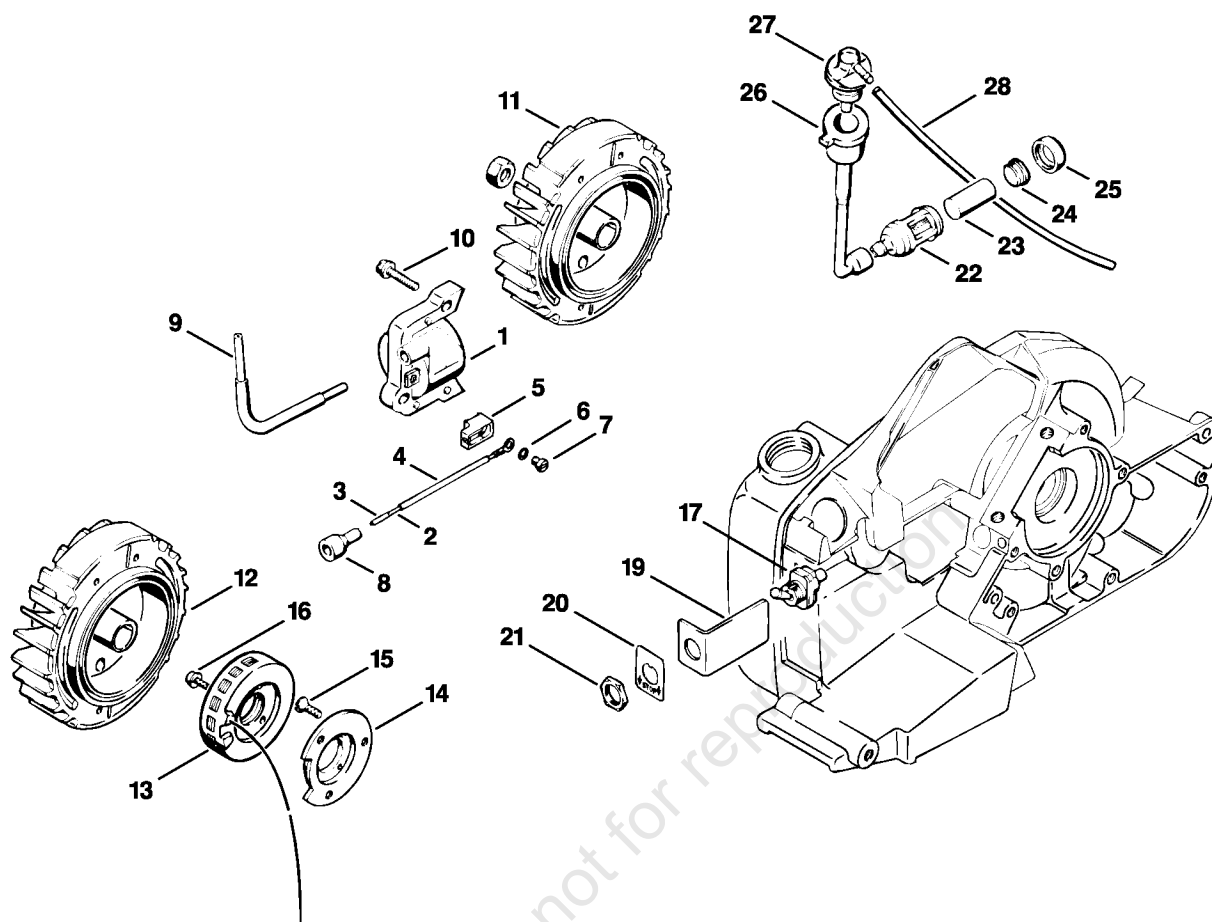


169ET007\_LÄ

(1) 032 AV, (2) 032 AVE, (3) 032 AVEQ, (4) 032 AVEQW, (5) 032 AVEQZ, (6) 032 AVEW, (7) 032 AVEZ, (8) 032 AVQ

## Fan housing, Set of points

Reference	Item number	Qty	Description	Contains
1	1113 080 1805	1	Fan housing	2 - 4
2	1110 084 9102	1	Bushing	
3	0000 967 2020	1	Nameplate STIHL	
4	0000 974 1000	1	Round head rivet 3x6	
5	1118 190 0600	1	Rewind spring	
6	1118 190 1000	1	Rope rotor	7
7	0000 963 1001	1	Bushing	
8	1118 195 8200	1	Starter rope Ø 3.5x1060 mm	
	0000 930 2203	1	Starter rope Ø 3.5 mm x 30.5 m (A,B)	
	0000 930 2212	1	Starter rope Ø 3.5 mm x 60.8 m (A,B)	
9	1113 195 3400	1	Starter grip	
10	1118 195 7200	1	Pawl	
11	1118 195 3500	1	Spring	
12	0000 958 0806	1	Washer	
13	1113 084 7802	1	Segment	
14	9079 216 0660	2	Flat head screw M4x12	
15	9048 216 1010	3	Pan head screw M5x18	
16	1113 400 1305	1	Ignition coil	17 - 19
17	1113 007 1011	1	Short circuit wire kit	18
18	0000 989 0804	1	Grommet	
20		1	Ignition lead 135 mm	
21	9036 341 1020	2	Socket head screw M5x20	
22	1118 400 2000	1	Set of points (1,8)	
23	1118 404 3400	1	Capacitor (1,8)	
24	9047 319 0650	3	Pan head screw M4x10	
25	1113 432 9200	1	Grommet	
26	1113 400 1202	1	Flywheel (1,2,3,5,7,8)	
27	9482 435 0030	1	Woodruff key 2x3.7	
28	9210 261 1140	1	Hexagon nut M8x1	
29	0000 998 0604	1	Spark plug contact spring	
30	1113 405 1000	1	Spark plug boot	
	* 0000 989 1010	1	Grommet (A)	



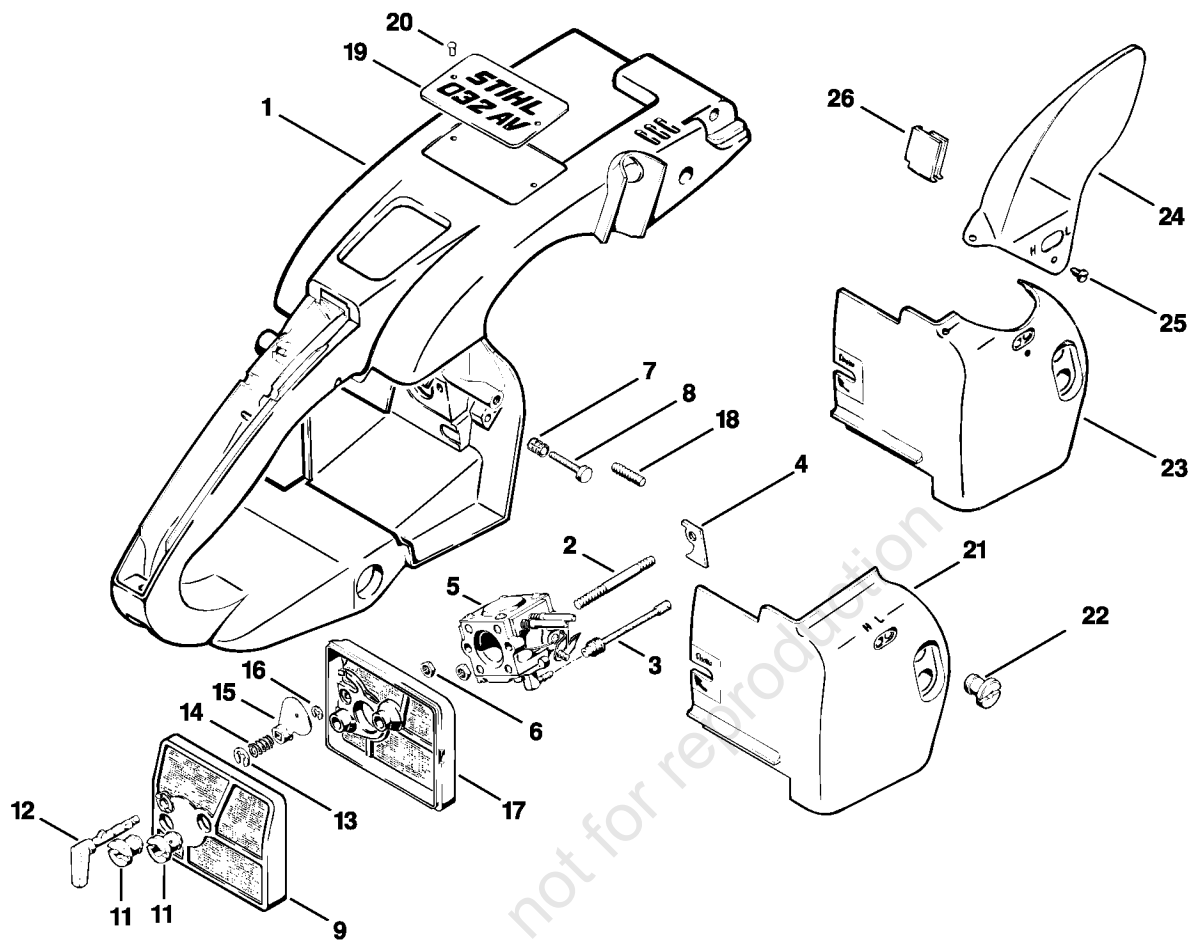
online version, not for reproduction

169ET009 LÄ

(1) 032 AV, (2) 032 AVE, (3) 032 AVEQ, (4) 032 AVEQW, (5) 032 AVEQZ, (6) 032 AVEW, (7) 032 AVEZ, (8) 032 AVQ

## Trigger unit, Pickup body

Reference	Item number	Qty	Description	Contains
1	1113 400 1310	1	Ignition module	2 - 9
2	1113 440 1110	1	Short circuit wire	3, 4
3	1110 442 7000	1	Contact sleeve (C)	
4		1	Insulating hose (D)	
5	1113 448 1000	1	Terminal	
6	9322 630 0080	1	Spring washer 3	
7	9041 216 0300	1	Pan head screw M3x4	
8	1113 432 9200	1	Grommet	
9		1	Ignition lead 135 mm (A)	
10	9036 341 1020	2	Socket head screw M5x20	
11	1113 400 1202	1	Flywheel (1,2,3,5,7,8)	
12	1113 400 1210	1	Flywheel (4,6)	
13	1128 404 3500	1	Generator (4,6)	
14	1118 028 0700	1	Flange (4,6)	
15	9062 319 0650	3	Countersunk screw M4x10 (4,6)	
16	9048 319 0650	3	Pan head screw M4x10 (4,6)	
17	1110 430 0202	1	Stop switch	
19	1113 435 1600	1	Cover plate	
20	0000 967 3506	1	Label	
21	9211 260 1430	1	Hexagon nut M12x0.75	
22	1115 350 3503	1	Pickup body (C)	23 - 25
23	1110 358 1800	1	Filter	
24	1115 358 8200	1	Weight (C)	
25	1115 358 2500	1	Cap (C)	
26	1113 358 7700	1	Hose	
27	1113 353 2500	1	Elbow connector	
28	1113 141 8610	1	Hose	



(1) 032 AV, (2) 032 AVE, (3) 032 AVEQ, (4) 032 AVEQW, (5) 032 AVEQZ, (6) 032 AVEW, (7) 032 AVEZ, (8) 032 AVQ

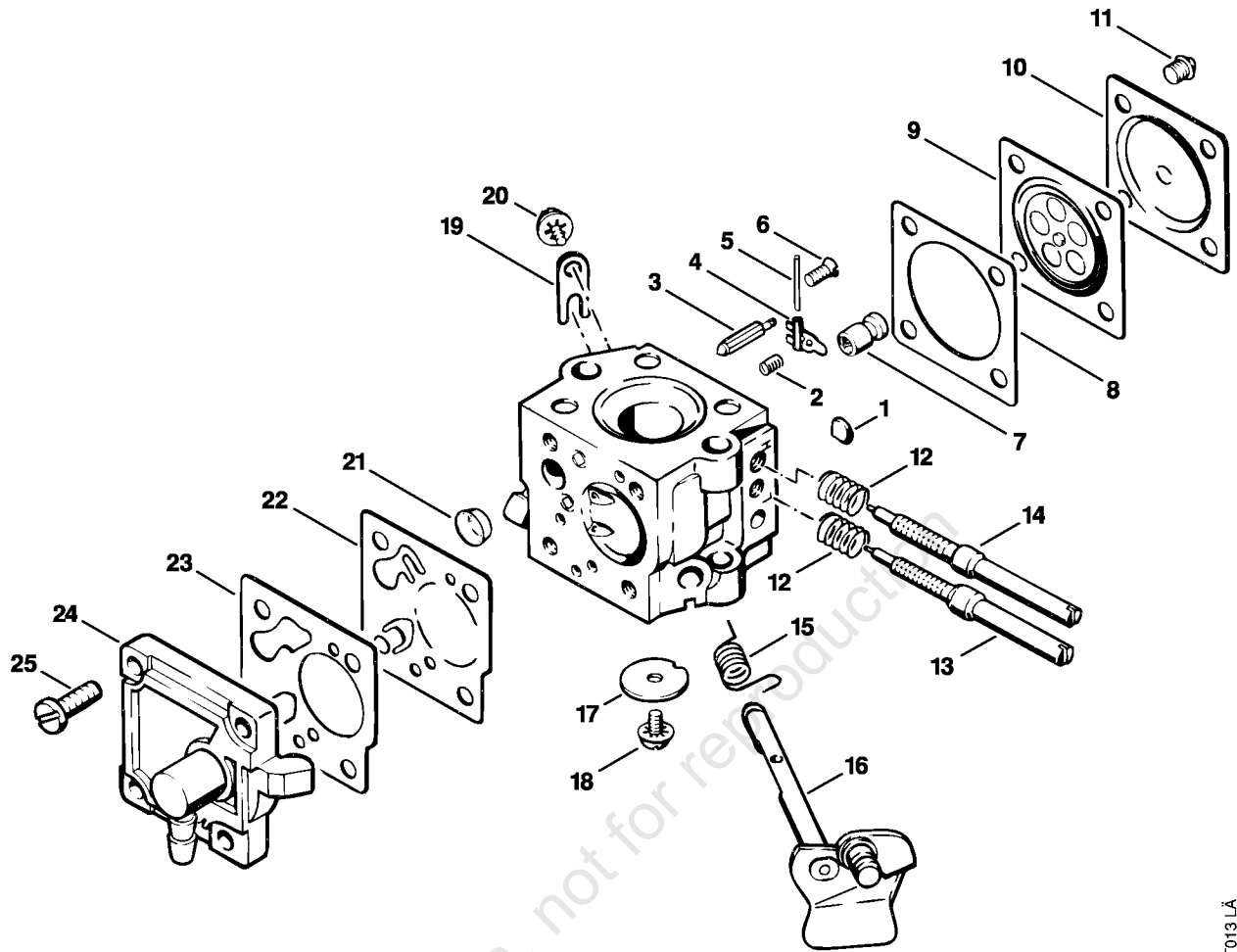
169ET012 LÄ



## Handle frame, Air filter

Reference	Item number	Qty	Description	Contains
1	1113 791 4905	1	Handle frame (1,2,3,5,7,8)	
2	9121 323 1110	2	Stud M5x50x24	
3	1113 141 8600	1	Impulse hose	
4	1113 121 1500	1	Shim	
5	1113 120 0604	1	Carburetor HU-51C	
6	9210 260 0700	2	Hexagon nut M5	
7	0000 997 0626	1	Helical spring	
8	1115 122 6200	1	Idle speed screw	
	1113 120 1601	1	Air filter	9 - 17
	1113 120 1603	1	Air filter, flocked (B)	9 - 17
9	1113 120 1600	1	Air filter	
9	1113 120 1602	1	Air filter, flocked (B)	
11	1113 141 8310	2	Slotted nut	
12	1113 123 7310	1	Lever	
13	9460 624 0500	1	E-clip 5	
14	0000 997 0721	1	Compression spring	
15	1113 121 2900	1	Choke shutter	
16	9460 624 0320	1	E-clip 3.2	
17	1113 120 1610	1	Air filter	
17	1113 120 1612	1	Air filter, flocked (B)	
18	9121 319 0960	1	Stud M5x12x9	
19	0000 967 1579	1	Model plate 032 AV (1)	
19	0000 967 1580	1	Model plate 032 AVE (2,6,7)	
19	0000 967 1592	1	Model plate 032 AVQ (8)	
19	0000 967 1581	1	Model plate 032 AVEQ (3,4,5)	
20	9441 065 1270	1	Round head rivet 2.6x6	
21	1113 141 1001	1	Carburetor box cover	
22	1113 141 8305	1	Slotted nut	
	1113 007 1061	1	Intake air preheating kit	23 - 26
23	1113 141 1002	1	Carburetor box cover	
24	1113 141 5601	1	Air guide plate	
25	9099 021 2360	2	Self-tapping screw 3.5x9.5	
26	1113 791 7300	1	Plug	

(1) 032 AV, (2) 032 AVE, (3) 032 AVEQ, (4) 032 AVEQW, (5) 032 AVEQZ, (6) 032 AVEW, (7) 032 AVEZ, (8) 032 AVQ

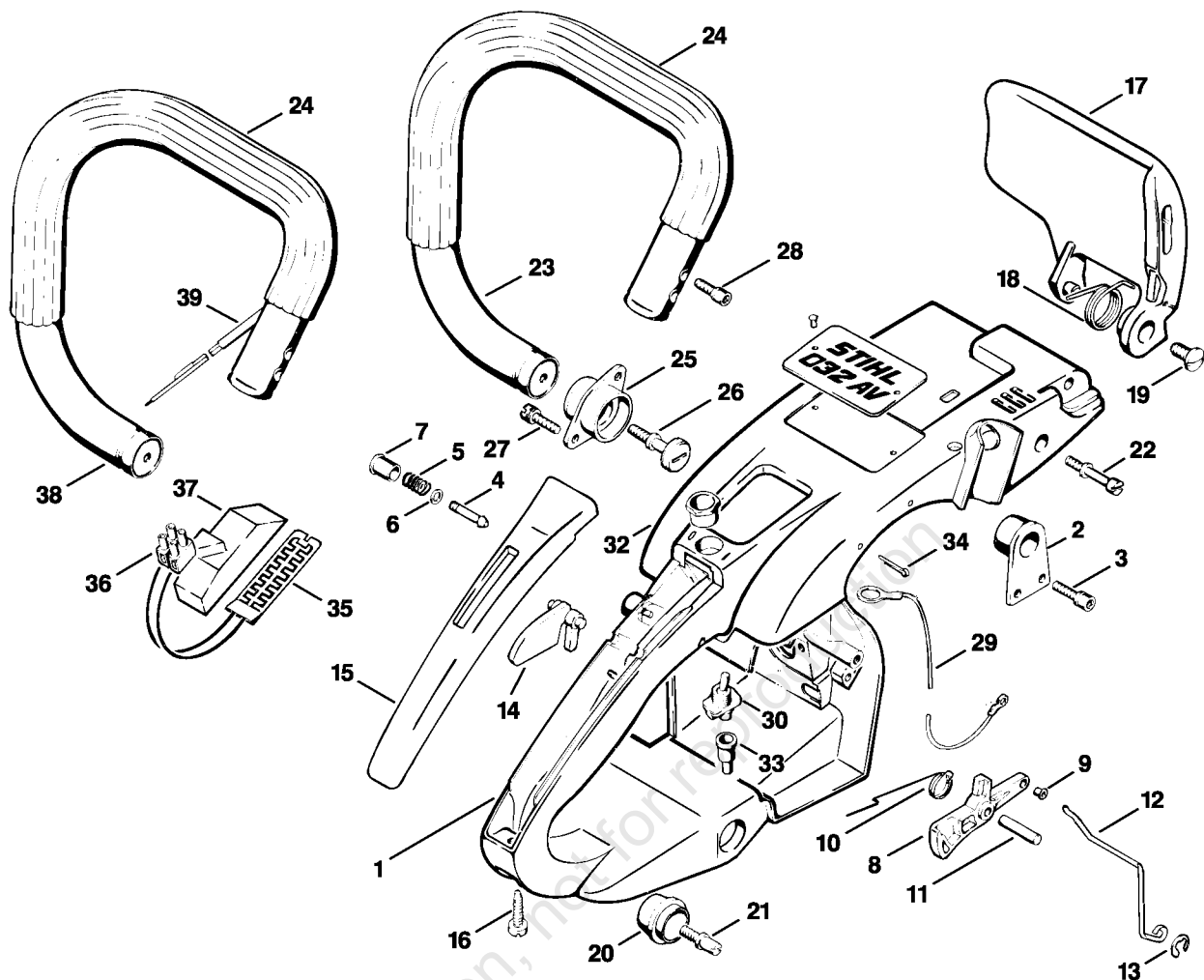


169ET013 LÄ

(1) 032 AV, (2) 032 AVE, (3) 032 AVEQ, (4) 032 AVEQW, (5) 032 AVEQZ, (6) 032 AVEW, (7) 032 AVEZ, (8) 032 AVQ

## Carburetor

Reference	Item number	Qty	Description	Contains
	1113 120 0604	1	Carburetor HU-51C	1 - 25
1	1113 122 9400	1	Plug	
2	1113 122 3000	1	Spring	
3	4116 121 5100	1	Inlet needle	
4	1113 121 5000	1	Inlet control lever	
5	1113 121 9200	1	Spindle	
6	1110 122 7800	1	Oval head screw	
7	1113 121 5400	1	Valve jet	
8	1113 129 0900	1	Gasket	
9	1113 121 4700	1	Metering diaphragm	
10	1113 121 0800	1	End cover	
11	1106 122 7400	4	Round head screw	
12	1106 122 3000	2	Spring	
13	1113 122 6815	1	Low speed screw	
14	1113 122 6715	1	High speed screw	
15	1113 122 3200	1	Torsion spring	
16	1113 120 7115	1	Throttle shaft with lever	
17	1113 121 3300	1	Throttle shutter	
18	1110 122 7400	1	Round head screw	
19	1110 122 9300	1	Clip	
20	1110 122 7400	1	Round head screw	
21	4221 121 7800	1	Strainer	
22	1113 121 4800	1	Pump diaphragm	
23	1113 129 0910	1	Gasket	
24	1118 121 0800	1	End cover	
25	1113 122 7700	4	Oval head screw	
	1118 007 1060	1	Set of carburetor parts	8, 9, 22, 23



(1) 032 AV, (2) 032 AVE, (3) 032 AVEQ, (4) 032 AVEQW, (5) 032 AVEQZ, (6) 032 AVEW, (7) 032 AVEZ, (8) 032 AVQ

## Handle frame

Reference	Item number	Qty	Description	Contains
1	1113 791 4906	1	Handle frame (4,6)	
2	1113 790 9901	1	Annular buffer	
3	9040 346 1010	2	Socket head screw M5x18	
4	1113 182 8900	1	Pin	
5	0000 997 0603	1	Compression spring	
6	0000 958 0403	1	Washer	
7	1113 182 9305	1	Starting throttle lock	
8	1113 180 1005	1	Throttle trigger	9
9	9415 415 2240	1	Hollow rivet 3x0.3x5	
10	1117 182 4500	1	Torsion spring	
11	9371 470 2640	1	Cylindrical pin 5x24	
12	1113 182 1510	1	Throttle rod	
13	9460 624 0320	1	E-clip 3.2	
14	1117 182 0800	1	Lockout lever	
15	1113 791 0600	1	Handle molding	
16	9099 021 0850	1	Self tapping screw 4.8x22	
17	1113 792 9106	1	Hand guard (1,2,6,7)	
17	1114 792 9106	1	Hand guard (3,4,5,8)	
18	1113 791 8200	1	Torsion spring	
19	0000 951 2902	1	Oval head screw M6x3.2x12	
20	1113 790 9910	2	Annular buffer	
21	1113 791 6102	2	Collar screw	
22	1113 791 6110	1	Collar screw	
23	1113 790 1701	1	Handlebar with hose 365 mm / 14 3/8" (1,2,3,5,7,8)	
24	0000 791 2005	1	Handle hose Ø 23 mm x 5m / 1x197"	
25	1115 790 9901	1	Annular buffer	
26	1115 791 6101	1	Collar screw	
27	9048 216 1010	2	Pan head screw M5x18	
28	9036 341 1020	2	Socket head screw M5x20	
29	1113 440 2200	1	Ground wire (4,6)	
30	1110 430 0202	1	Stop switch (4,6)	
32	1118 432 2200	1	Hexagon nut M12 (4,6)	
33	1110 432 9200	1	Grommet (4,6)	
34	9395 825 1090	2	Split pin 2x10 (4,6)	
35	1118 434 5000	1	Heating element (4,6)	
36	1118 431 3000	1	Terminal block (4,6)	
37	1118 791 9000	1	Clamp (4,6)	
38	1113 790 1710	1	Handlebar (4,6)	39

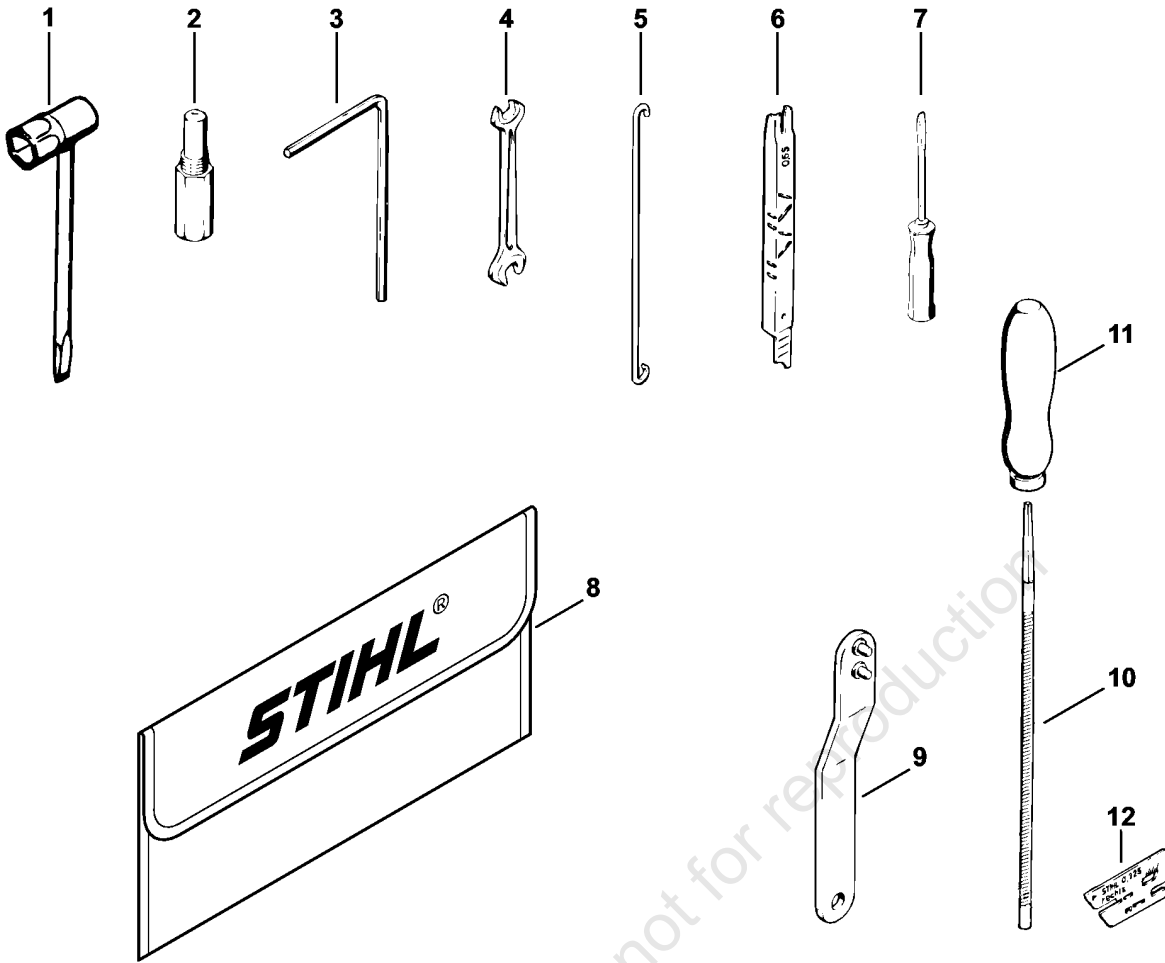
(1) 032 AV, (2) 032 AVE, (3) 032 AVEQ, (4) 032 AVEQW, (5) 032 AVEQZ, (6) 032 AVEW, (7) 032 AVEZ, (8) 032 AVQ

**Handle frame**

Reference	Item number	Qty	Description	Contains
39	1113 442 0400	1	Hose	

online version, not for reproduction

**Tools, Extras**



169ET021 SC

(1) 032 AV, (2) 032 AVE, (3) 032 AVEQ, (4) 032 AVEQW, (5) 032 AVEQZ, (6) 032 AVEW, (7) 032 AVEZ, (8) 032 AVQ

## Tools, Extras

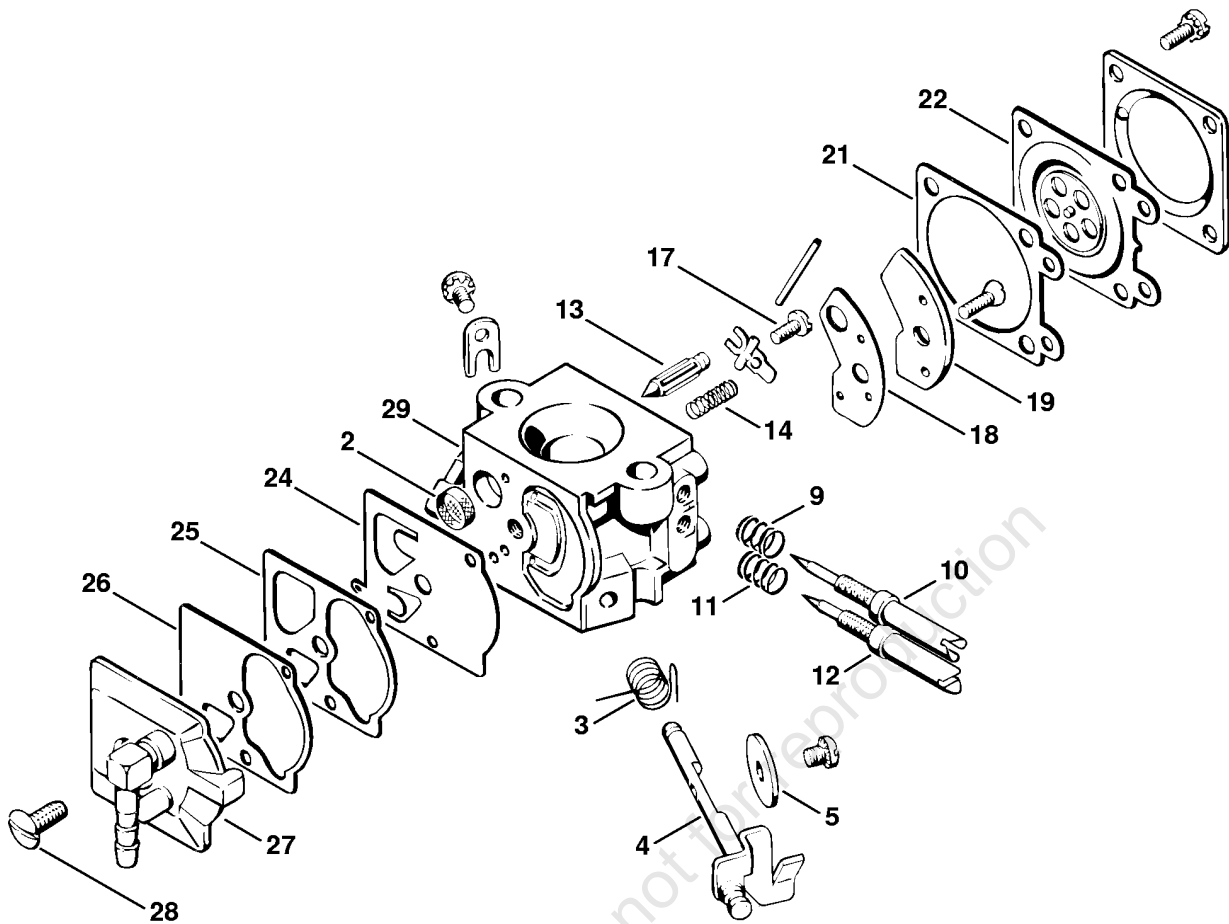
Reference	Item number	Qty	Description
1	1119 890 3405	1	Combination wrench
2	1107 191 1201	1	Locking screw
3	0811 270 1080	1	Allen key 4x70x130
4	0811 012 1152	1	Wrench 8x10
5	1110 893 8800	1	Hook
6	1110 893 4000	1	Filing gauge
7	0000 890 2300	1	Screwdriver
8	0000 891 0800	1	Tool roll
9	1113 890 3600	1	Wrench (B)
10	0811 411 8108	1	Round file Ø 5.5x200 mm (B)
10	0811 411 8088	1	Round file Ø 4.8x200 mm (B)
11	0811 490 7860	1	File handle A100 (B)
12	5605 893 4000	1	Filing gauge 0.325" (B)
	1113 007 1051	1	Set of gaskets 032 (A, B)
	1108 890 2500	1	Grease gun (A, B)
	0000 930 2202	1	Ignition lead 10 m (A, B)
	0000 930 2203	1	Starter rope Ø 3.5 mm x 30.5 m (A, B)
	0000 930 2212	1	Starter rope Ø 3.5 mm x 60.8 m (A, B)





## Chain brake with isolating clutch

Reference	Item number	Qty	Description	Contains
	1113 640 1703	1	Chain sprocket cover (3,4,5,8)	1 - 14
1	1113 640 1704	1	Chain sprocket cover	2
2	0000 971 0608	1	Pin	
3	1113 640 4901	1	Cover plate	
4	1113 640 2801	1	Brake shoe	
5	1113 640 2302	1	Cam	
6	0000 997 1100	1	Helical spring	
7	0000 997 0900	1	Helical spring	
8	9079 319 0950	2	Flat head screw M5x10	
9	1113 664 1100	1	Outer side plate	
10	9441 065 1910	2	Round head rivet 3x8	
11	1113 656 1501	1	Guard plate	
12	1110 664 0501	1	Bumper spike	
13	9008 345 0960	2	Hexagon head screw M5x12	
14	9214 320 0700	2	Lock nut M5	
	1113 160 2002	1	Clutch (3,4,5,8)	15 - 17
15	1113 160 2300	1	Carrier	
16	1113 162 0802	3	Clutch shoe	
17	0000 997 5811	3	Tension spring	
	1113 160 3400	1	Drive disc (3,4,5,8)	21 - 25
21	1113 162 3601	1	Drive disc	
22	1113 162 3901	1	Slide control	
23	1113 160 4000	1	Locking slide	24, 25
24	1113 162 7801	1	Spring	
25	1113 162 1200	1	Rivet	
26	1114 792 9101	1	Hand guard (3,4,5,8)	



169ET020 SC

(1) 032 AV, (2) 032 AVE, (3) 032 AVEQ, (4) 032 AVEQW, (5) 032 AVEQZ, (6) 032 AVEW, (7) 032 AVEZ, (8) 032 AVQ

**Carburetor WA-49 → 7 683 698**

Reference	Item number	Qty	Description	Contains	Up to
2	* 1114 121 7800	1	Strainer		7683698
3	* 1113 122 3205	1	Torsion spring		7683698
4	* 1113 120 7110	1	Throttle shaft with lever		7683698
5	* 1114 121 3300	1	Throttle shutter		7683698
9	* 1106 122 3000	1	Spring		7683698
10	* 1113 122 6710	1	High speed screw		7683698
11	* 1110 122 3030	1	Spring		7683698
12	* 1113 122 6810	1	Low speed screw		7683698
13	* 1110 121 5100	1	Inlet needle		7683698
14	* 1114 122 3000	1	Spring		7683698
17	* 1114 122 7400	1	Round head screw		7683698
18	* 1113 129 0905	1	Gasket		7683698
19	* 1113 121 7400	1	Plate		7683698
21	* 1120 129 0900	1	Gasket		7683698
22	* 1113 121 4705	1	Metering diaphragm		7683698
24	* 1114 121 4800	1	Pump diaphragm		7683698
25	* 1114 129 0900	1	Gasket		7683698
26	* 1114 121 4600	1	Suction chamber diaphragm		7683698
27	* 1113 121 0805	1	End cover		7683698
28	* 1114 122 7100	1	Screw		7683698
29	* 1117 122 3900	1	Elbow connector		7683698
	* 1113 007 1060	1	Set of carburetor parts 032	18, 21 - 25	7683698