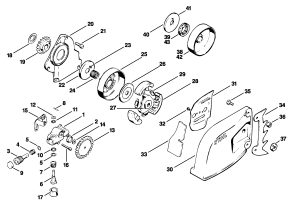
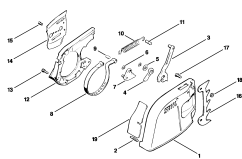


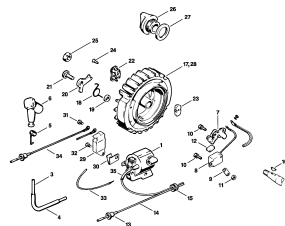
Crankshaft, Cylinder



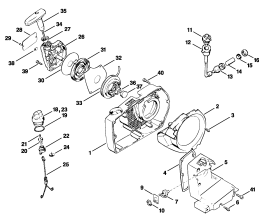
Oil pump, Clutch, Chain sprocket cover



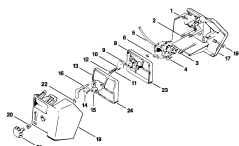
Chain brake, Chain sprocket cover



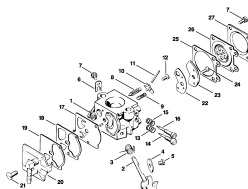
Ignition armature, Flywheel



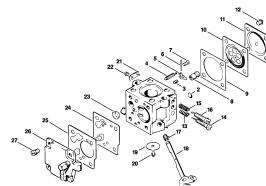
Fan housing, Starter cover



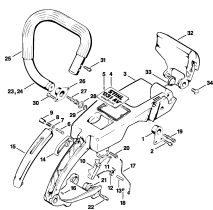
Carburetor box, Air filter, Extras



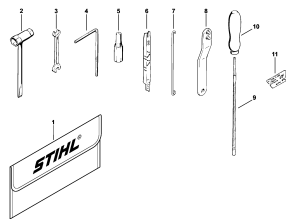
Carburetor Walbro



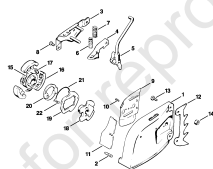
Carburetor Tillotson (26.78)



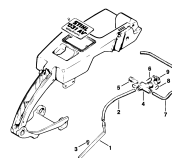
Handle frame, Handlebar



Tools, Extras



Chain sprocket cover, Brake shoe, Driving disc



Heating

online version, not for reproduction

Description

Crankshaft, Cylinder

Oil pump, Clutch, Chain sprocket cover

Chain brake, Chain sprocket cover

Ignition armature, Flywheel

Fan housing, Starter cover

Carburetor box, Air filter, Extras

Carburetor Walbro

Carburetor Tillotson (26.78)

Handle frame, Handlebar

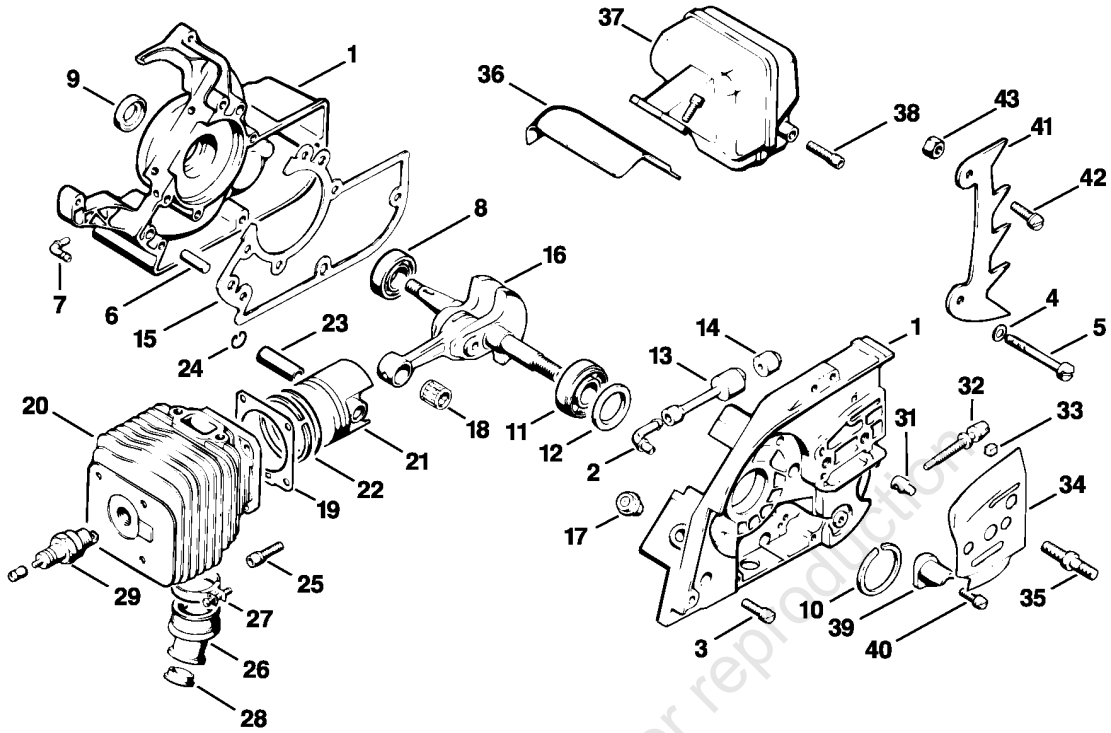
Tools, Extras

Chain sprocket cover, Brake shoe, Driving disc

Heating

online version, not for reproduction

Crankshaft, Cylinder



online version, not for reproduction

113ET001 LÄ

Crankshaft, Cylinder

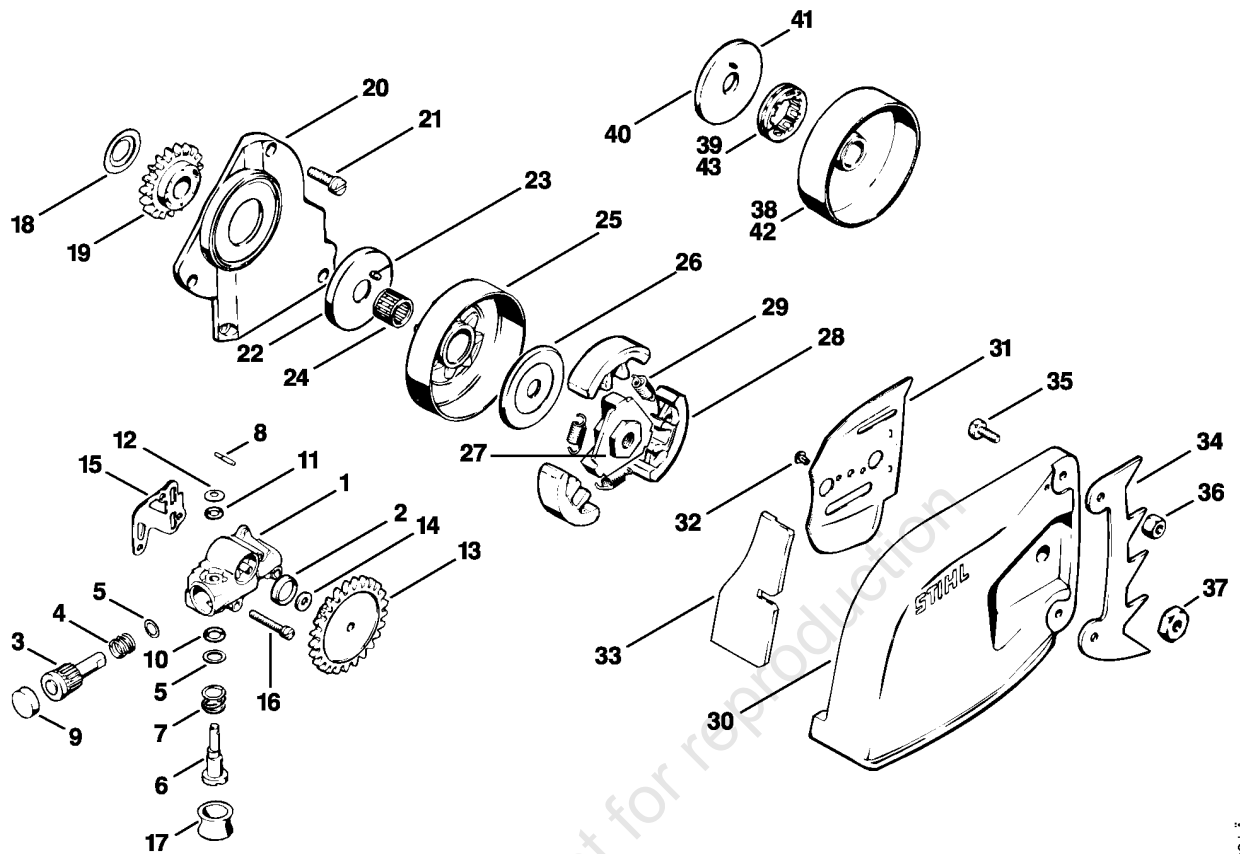
Reference	Item number	Qty	Description	Contains
1	1113 020 2102	1	Crankcase	2 - 7
2	1118 028 7400	1	Connector	
3	9048 216 1010	5	Pan head screw M5x18	
4	9307 021 0120	1	Washer 5.3	
5	9043 216 1100	1	Pan head screw M5x45	
6	9371 470 3120	2	Cylindrical pin 6x20	
7	1110 122 3900	1	Elbow connector	
8	9503 003 0310	1	Grooved ball bearing 6002	
9	9640 003 1340	1	Oil seal 13x22x5	
10	9465 620 2620	1	Snap ring 37	
11	9523 003 4440	1	Grooved ball bearing 15x35x13.5	12
12	9640 003 2390	1	Oil seal 21.05x29.6x4	
13	1106 647 9404	1	Hose	
14	1106 640 3801	1	Pickup body	
15	1113 029 0505	1	Gasket	
16	1113 030 0400	1	Crankshaft	
17	1113 640 9100	1	Valve	
18	9512 003 2340	1	Needle cage 10x14x13	
19	1118 029 2305	1	Cylinder gasket	
20	1113 020 1203	1	Cylinder with piston Ø 45 mm (C)	21 - 24
21	1113 030 2003	1	Piston Ø 45 mm	22 - 24
21	1113 030 2001	1	Piston Ø 44 mm	22 - 24
	1113 030 2011	1	Piston Ø 44 mm	22 - 24
22	1113 034 3005	2	Piston ring Ø 45 mm	
22	1110 034 3000	2	Piston ring Ø 44x1.5 mm	
23	1110 034 1500	1	Piston pin 10x6x32	
24	9462 650 1000	2	Snap ring 10	
25	9036 341 1010	4	Socket head screw M5x18	
26	1113 141 2201	1	Manifold	
27	9771 021 2540	1	Hose clip Ø 29x7	
28	1113 141 1805	1	Sleeve	
29	1110 400 7005	1	Spark plug Bosch WSR 6 F	
31	1110 664 1500	1	Tensioning nut	
32	1110 664 1600	1	Adjusting screw	
33	1110 021 9000	1	Clamp	
34	1113 664 1001	1	Inner side plate	
35	1110 664 2400	2	Collar screw	
36	1113 087 3601	1	Air guide plate	

Crankshaft, Cylinder

Reference	Item number	Qty	Description	Contains
37	1113 140 0600	1	Muffler	
38	9036 341 0980	3	Socket head screw M5x16	
39	1114 656 7700	1	Chain catcher	
40	9021 319 0670	1	Pan head screw M4x14-Z1	
41	1110 664 0501	1	Bumper spike (B)	
42	9079 319 0960	1	Flat head screw M5x12 (B)	
43	9214 320 0700	1	Lock nut M5 (B)	

online version, not for reproduction

Oil pump, Clutch, Chain sprocket cover



113ET003 LÄ

Oil pump, Clutch, Chain sprocket cover

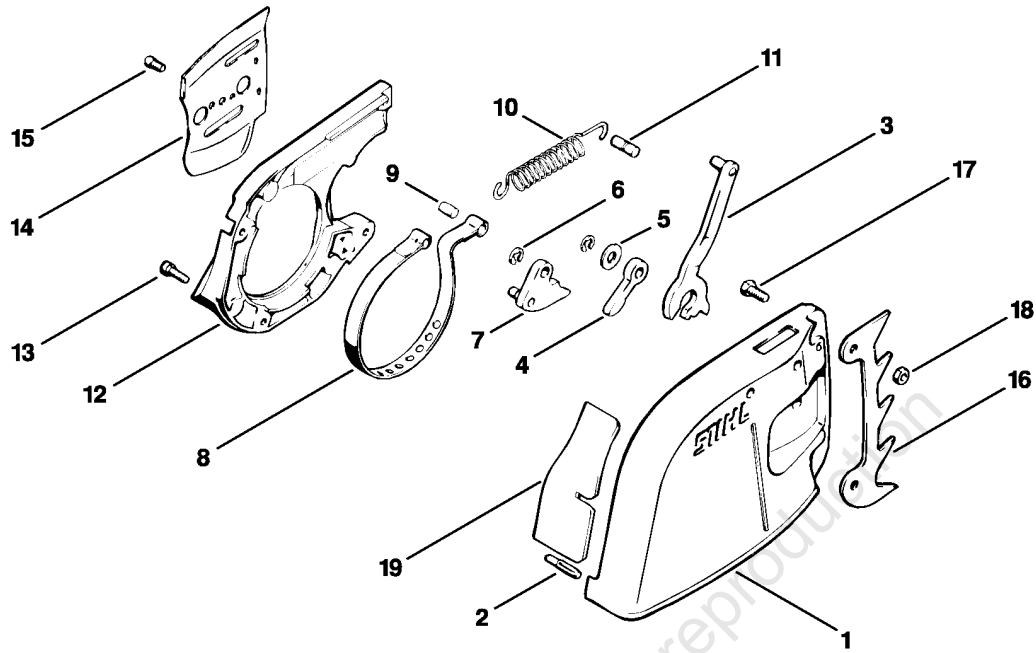
Reference	Item number	Qty	Description	Contains
	1113 640 3201	1	Oil pump	1 - 14
1	1117 640 3001	1	Pump housing	2
2	9643 950 1160	1	Sealing ring 12x16x3	
3	1117 647 0601	1	Pump piston	
4	0000 997 1010	1	Compression spring	
5	0000 958 0701	2	Washer	
6	1117 647 4801	1	Control bolt	
7	0000 997 1200	1	Helical spring	
8	1117 647 9800	1	Pin	
9	0000 988 6220	1	Plug	
10	9646 945 0490	1	O-ring 7x1.5	
11	9646 945 0230	1	O-ring 5x1.25	
12	9486 648 0100	1	Cup spring 10	
13	1113 640 7100	1	Worm	
14	0000 958 0402	1	Washer	
15	1117 649 1100	1	Gasket	
16	9048 319 0740	3	Pan head screw M4x25	
17	0000 989 0401	1	Rubber ring	
18	1113 162 8903	1	Thrust washer	
19	1113 647 1802	1	Spur gear	
20	1113 021 1100	1	Cover	
21	9048 319 0660	4	Pan head screw M4x12	
22	1113 030 7500	1	Cover washer	23
23	9517 003 0490	1	Cylindrical roller 2.5x16.8	
24	9512 933 3000	1	Needle cage 12x15x13	
25	1113 640 2000	1	Chain sprocket 3/8"	
25	1113 640 2005	1	Chain sprocket 0.325"	
26	1110 162 8900	1	Washer	
	1113 160 2010	1	Clutch	27 - 29
27	1113 162 3205	1	Carrier	
28	1113 162 0802	3	Clutch shoe	
29	0000 997 5811	3	Tension spring	
30	1113 648 0401	1	Chain sprocket cover	
31	1113 664 1100	1	Outer side plate	
32	9441 065 1910	2	Round head rivet 3x8	
33	1113 656 1501	1	Guard plate	
34	1110 664 0501	1	Bumper spike	
35	9008 345 0960	2	Hexagon head screw M5x12	

Oil pump, Clutch, Chain sprocket cover

Reference	Item number	Qty	Description	Contains
36	9214 320 0700	2	Lock nut M5	
37	0000 955 0801	2	Hexagon nut M8	
	1113 007 1040	1	Rim sprocket kit 3/8" 7T (B)	38 - 41
38	1113 640 2025	1	Rim sprocket kit	39
39	0000 642 1230	1	Rim sprocket 3/8" 7T	
40	1113 030 7501	1	Cover washer	41
41	9517 003 0460	1	Cylindrical roller 2.5x12.8	
	1113 007 1041	1	Rim sprocket kit 0.325" 8T (B)	40 - 43
42	1113 640 2026	1	Rim sprocket kit	43
43	0000 642 1235	1	Rim sprocket 0.325" 8T	

online version, not for reproduction

Chain brake, Chain sprocket cover



online version, not for reproduction

113ET005 LÄ

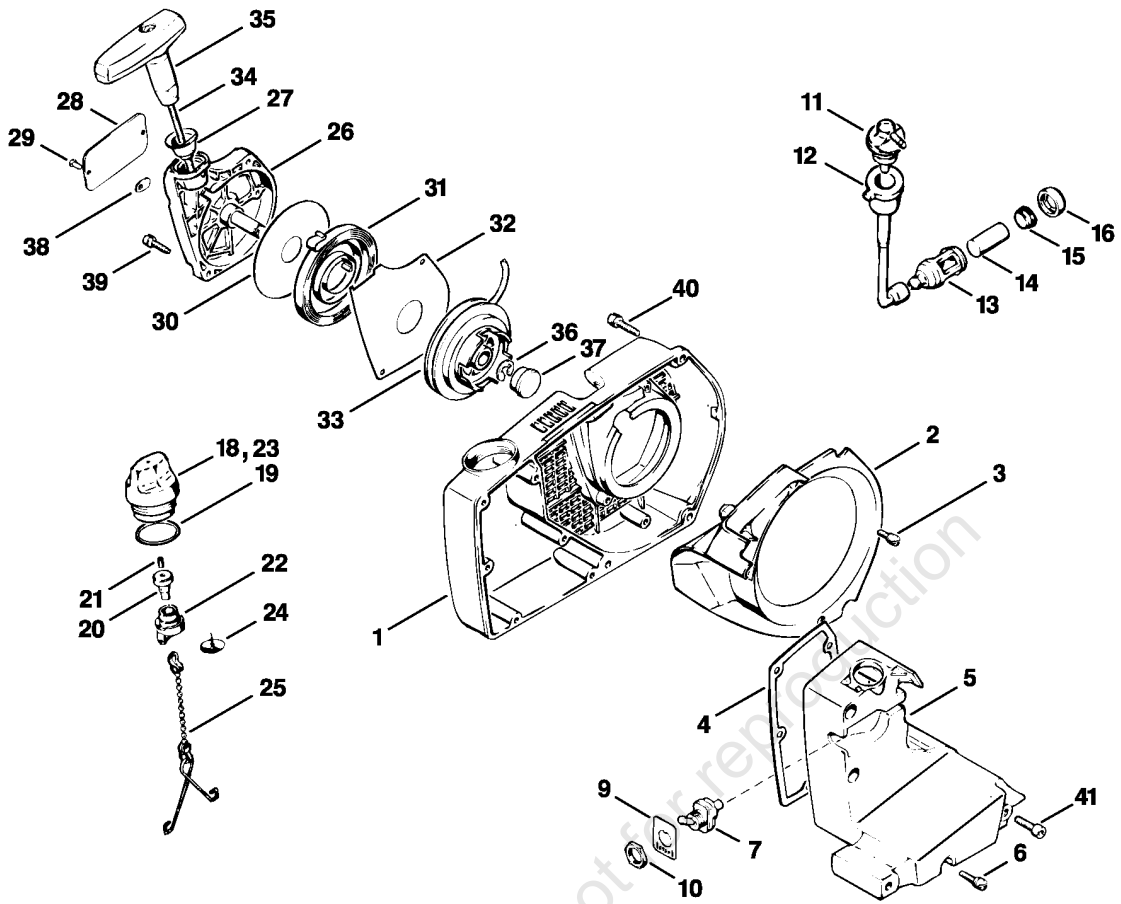
Chain brake, Chain sprocket cover

Reference	Item number	Qty	Description	Contains
	1113 640 1706	1	Chain sprocket cover	1 - 19
1	1113 640 1705	1	Chain sprocket cover	2
2	0000 971 0608	1	Pin	
3	1113 160 5001	1	Lever	
4	1115 162 5005	1	Lever	
5	0000 958 0702	1	Washer	
6	9460 624 0500	2	E-clip 5	
7	1113 160 5100	1	Cam	
8	1113 160 5400	1	Brake band	
9	1118 162 5220	1	Pin	
10	1115 162 7900	1	Tension spring	
11	1115 162 5220	1	Pin	
12	1113 648 7700	1	Cover	
13	9048 319 0660	4	Pan head screw M4x12	
14	1113 664 1100	1	Outer side plate	
15	9048 319 0650	1	Pan head screw M4x10	
16	1110 664 0501	1	Bumper spike	
17	9008 345 0960	2	Hexagon head screw M5x12	
18	9214 320 0700	2	Lock nut M5	
19	1113 656 1501	1	Guard plate	

Ignition armature, Flywheel

Reference	Item number	Qty	Description	Contains
1	1113 400 1300	1	Ignition coil	3, 4, 15, 16
1	1113 400 1301	1	Ignition coil (Electronic)	3, 4, 15, 16
	9048 216 1010	2	Pan head screw M5x18 (A)	
3	1113 405 0600	1	Ignition lead 115 mm	
4	1113 405 8800	1	Hose	
5	0000 998 0604	1	Spark plug contact spring	
6	1113 405 1000	1	Spark plug boot	
	1113 007 1063	1	Set of condenser	7 - 11
7	1113 400 2000	1	Set of points	
8	1118 404 3400	1	Capacitor	
9	1113 405 1900	1	Bracket	
10	9048 319 0650	2	Pan head screw M4x10	
11	9210 260 0600	1	Hexagon nut M4	
12	1111 404 4200	1	Felt wick	
13	1110 432 9200	1	Grommet	
14	1113 007 1010	1	Short circuit wire kit	15
15	0000 989 0808	1	Grommet	
16	9482 435 0030	1	Woodruff key 2x3.7	
17	1113 400 1200	1	Flywheel, contact breaker ignition	
18	0000 998 1202	2	Torsion spring	
19	9291 021 0140	2	Washer 6.4	
20	1113 195 7200	2	Pawl	
21	0000 951 2902	2	Oval head screw M6x3.2x12	
22	1113 404 8600	2	Plug	
23	1113 404 8700	2	Plug	
24	9097 021 0510	2	Countersunk screw 3.5x9.5	
25	9210 261 1140	1	Hexagon nut M8x1	
26	1113 640 3600	1	Oil filler cap	27
27	0000 992 6305	1	Sealing ring	
28	1113 400 1201	1	Flywheel, electronic ignition	
	1114 007 1012	1	Electronic ignition conversion kit	29 - 35
29	1118 400 1001	1	Trigger unit	
30	1113 405 1901	1	Bracket	
31	9041 216 0300	1	Pan head screw M3x4	
32	9041 216 0610	1	Pan head screw M4x6	
33	1111 440 1900	1	Lead	
34	1113 440 1106	1	Short circuit wire	
35	1113 405 8810	1	Hose (C)	

Fan housing, Starter cover



113ET008 LÄ

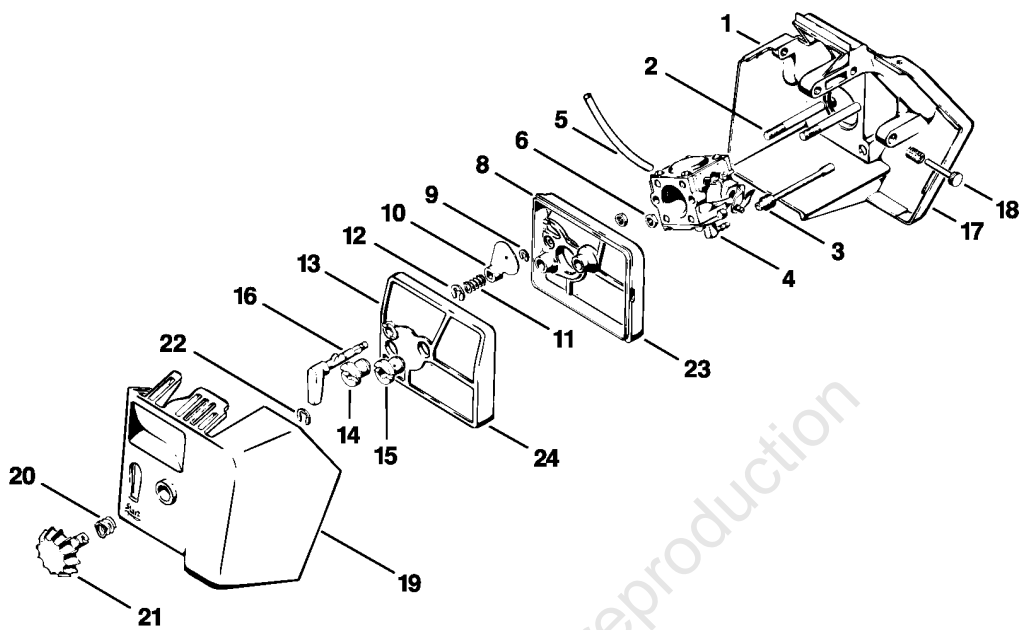
Fan housing, Starter cover

Reference	Item number	Qty	Description	Contains
1	1113 084 1000	1	Fan housing	
2	1113 084 7801	1	Segment	
3	9048 319 0660	3	Pan head screw M4x12	
4	1113 359 0700	1	Gasket	
5	1113 351 0501	1	Tank housing	
6	9048 319 0680	6	Pan head screw M4x16	
7	1110 430 0202	1	Stop switch	
9	0000 967 3506	1	Label	
10	9211 260 1430	1	Hexagon nut M12x0.75	
11	1113 353 2500	1	Elbow connector	
12	1113 358 7700	1	Hose	
13	1115 350 3503	1	Pickup body (C)	14 - 16
14	1110 358 1800	1	Filter	
15	1115 358 8200	1	Weight (C)	
16	1115 358 2500	1	Cap (C)	
18	1114 350 0502	1	Filler cap	19 - 22
19	9645 945 2620	1	O-ring 23x2.5	
20	1110 353 8100	1	Insert	
21	0000 951 5800	1	Grub screw	
22	1110 353 2108	1	Valve body	
23	1114 350 0500	1	Filler cap (B)	19, 22, 24, 25
24	1110 353 1600	1	Valve	
25	1117 350 0901	1	Filler cap retainer	
	1113 190 0405	1	Starter cover with rewind starter	26 - 37
26	1113 190 0410	1	Starter cover	27 - 29
27	1110 084 9102	1	Bushing	
28	0000 967 2020	1	Nameplate STIHL	
29	0000 974 1000	2	Round head rivet 3x6	
30	1113 195 9000	1	Washer	
31	1113 195 1600	1	Rewind spring	
32	1113 195 6400	1	Shim	
33	1113 190 1005	1	Rope rotor	
34	1113 195 8200	1	Starter rope Ø 3.5x960 mm	
35	1121 195 3400	1	Starter grip	
36	9460 624 0700	1	E-clip 7	
37	1113 195 7000	1	Cap	
38	1113 195 6500	1	Strap	
39	9048 319 0680	3	Pan head screw M4x16	

Fan housing, Starter cover

Reference	Item number	Qty	Description	Contains
40	9048 216 1010	3	Pan head screw M5x18	
41	9036 341 0980	1	Socket head screw M5x16	

online version, not for reproduction

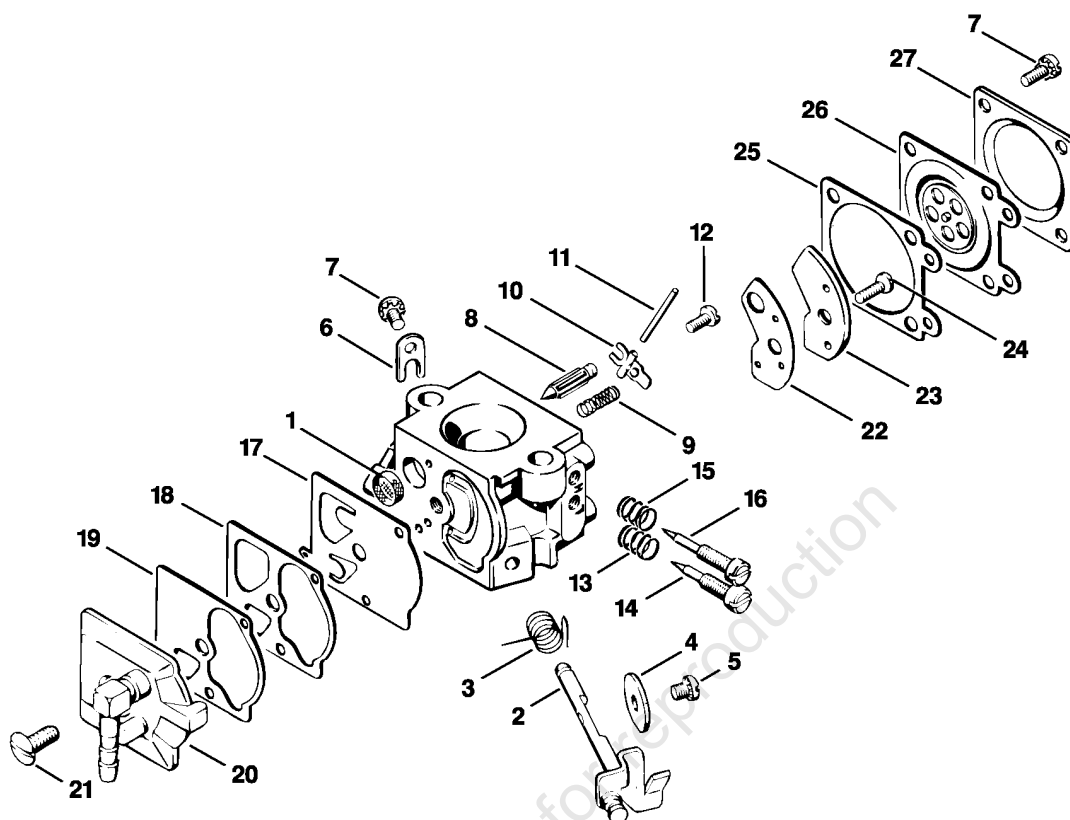


online version, not for reproduction

113ET010 LÄ

Carburetor box, Air filter, Extras

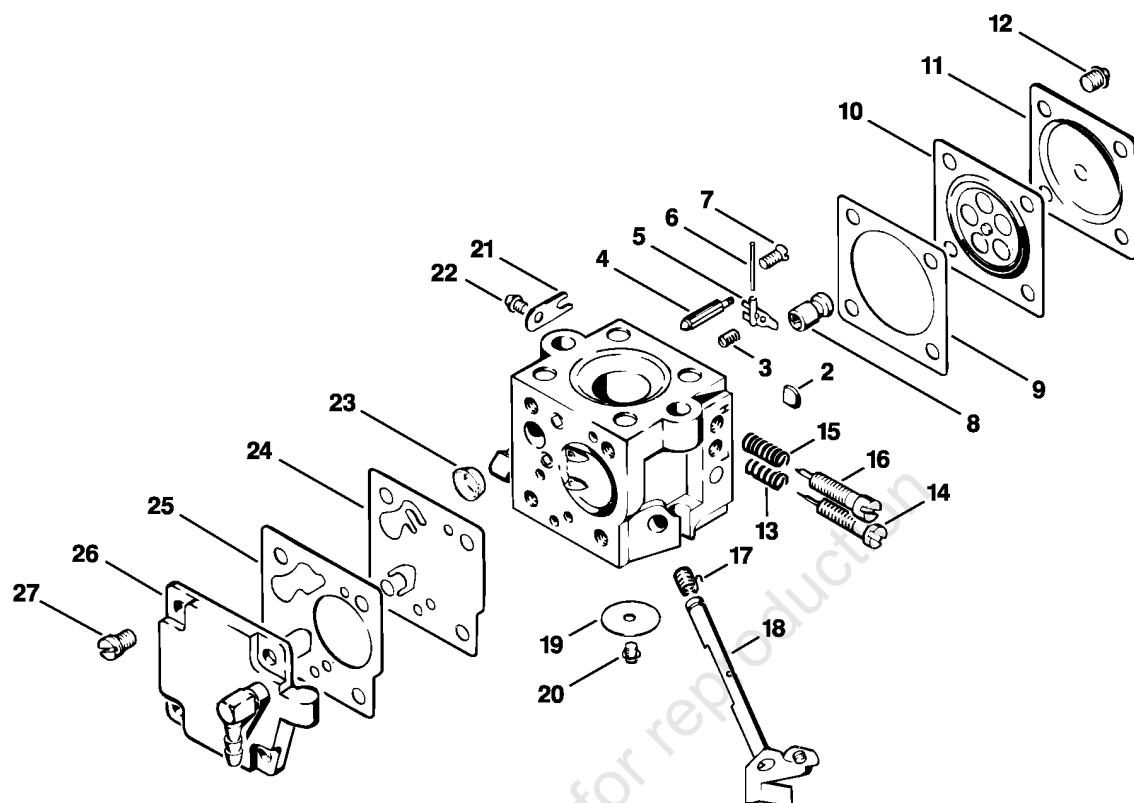
Reference	Item number	Qty	Description	Contains
1	1113 141 0400	1	Carburetor box	
2	9121 323 1110	2	Stud M5x50x24	
3	1113 141 8600	1	Impulse hose	
4	1113 120 0602	1	Carburetor WA-2C	
5		1	Hose 3.1x5.7x94 mm, R3 (D)	
	0000 930 2803	1	Hose 3.1x5.7 mm x 1 m, R3 (B)	
6	9210 260 0700	2	Hexagon nut M5	
	1113 120 1601	1	Air filter	8 - 16
8	1113 120 1610	1	Air filter	
9	9460 624 0320	1	E-clip 3.2	
10	1113 121 2900	1	Choke shutter	
11	0000 997 0721	1	Compression spring	
12	9460 624 0500	1	E-clip 5	
13	1113 120 1600	1	Air filter	
14	1113 140 9510	1	Slotted nut	
15	1113 141 8310	1	Slotted nut	
16	1113 123 7310	1	Lever	
17	0000 997 0626	1	Helical spring	
18	1115 122 6200	1	Idle speed screw	
19	1113 141 1000	1	Carburetor box cover	
20	0000 997 0927	1	Compression spring	
21	1113 140 9200	1	Twist lock	
22	9460 624 0500	1	E-clip 5	
	1113 120 1603	1	Air filter, flocked (B)	9 - 12, 14, 15, 23, 24
23	1113 120 1612	1	Air filter, flocked (B)	
24	1113 120 1602	1	Air filter, flocked (B)	



113ET012 LÄ

Carburetor Walbro

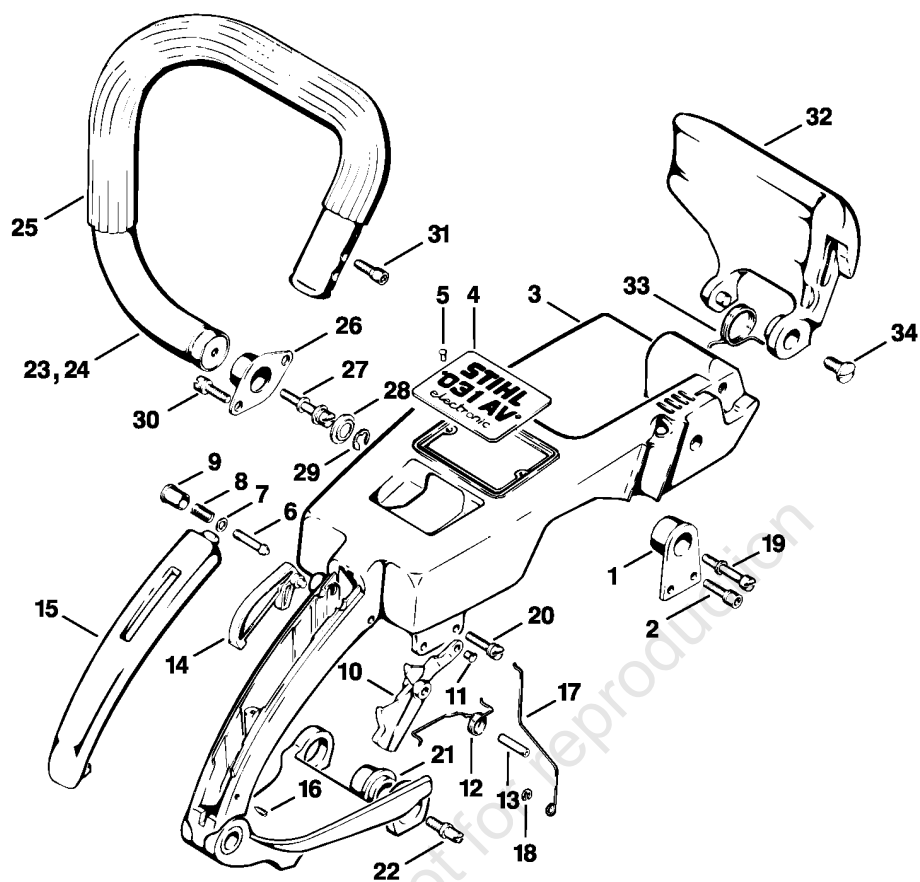
Reference	Item number	Qty	Description	Contains
	1113 120 0602	1	Carburetor WA-2C	1 - 27
1	1114 121 7800	1	Strainer	
2	1113 120 7105	1	Throttle shaft with lever	
3	1113 122 3205	1	Torsion spring	
4	1114 121 3300	1	Throttle shutter	
5	1110 122 7400	1	Round head screw	
6	1110 122 9300	1	Clip	
7	1106 122 7400	5	Round head screw	
8	1110 121 5100	1	Inlet needle	
9	1114 122 3000	1	Spring	
10	1113 121 5000	1	Inlet control lever	
11	1113 121 9200	1	Spindle	
12	1114 122 7400	1	Round head screw	
13	1110 122 3030	1	Spring	
14	1113 122 6805	1	Low speed screw	
15	1106 122 3000	1	Spring	
16	1114 122 6700	1	High speed screw	
	1114 007 1005	1	Set of diaphragms (B)	17 - 19
17	1114 121 4800	1	Pump diaphragm	
18	1114 129 0900	1	Gasket	
19	1114 121 4600	1	Suction chamber diaphragm (B)	
20	1113 121 0805	1	End cover	
21	1114 122 7100	1	Screw	
22	1113 129 0905	1	Gasket	
23	1113 121 7400	1	Plate	
24	1110 122 7800	1	Oval head screw	
25	1113 129 0900	1	Gasket	
26	1113 121 4700	1	Metering diaphragm	
27	1113 121 0800	1	End cover	



113ET013 LÄ

Carburetor Tillotson (26.78)

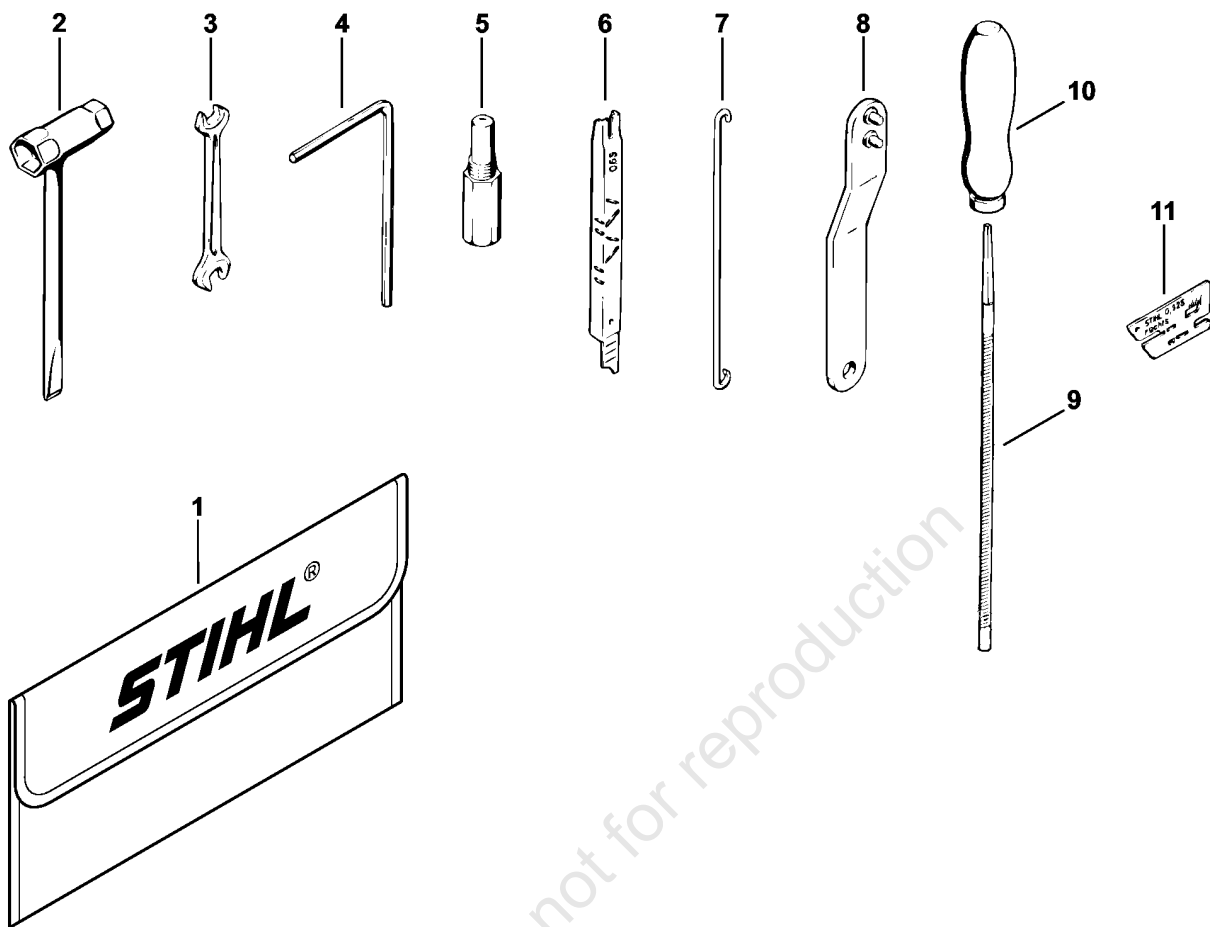
Reference	Item number	Qty	Description	Up to
	* 1113 120 0600	1	Carburetor HU-3G	4970520
2	* 1113 122 9400	1	Plug	4970520
3	* 1113 122 3000	1	Spring	4970520
4	* 1110 121 5100	1	Inlet needle	4970520
5	* 1113 121 5000	1	Inlet control lever	4970520
6	* 1113 121 9200	1	Spindle	4970520
7	* 1110 122 7800	1	Oval head screw	4970520
8	* 1113 121 5400	1	Valve jet	4970520
9	* 1113 129 0900	1	Gasket	4970520
10	* 1114 121 4700	1	Metering diaphragm	4970520
11	* 1113 121 0800	1	End cover	4970520
12	* 1106 122 7400	4	Round head screw	4970520
13	* 1106 122 3000	1	Spring	4970520
14	* 1113 122 6800	1	Low speed screw	4970520
15	* 1106 122 3000	1	Spring	4970520
16	* 1113 122 6700	1	High speed screw	4970520
17	* 1113 122 3200	1	Torsion spring	4970520
18	* 1113 120 7100	1	Throttle shaft with lever	4970520
19	* 1113 121 3300	1	Throttle shutter	4970520
20	* 1110 122 7400	1	Round head screw	4970520
21	* 1110 122 9300	1	Clip	4970520
22	* 1110 122 7400	1	Round head screw	4970520
23	* 4221 121 7800	1	Strainer	4970520
24	* 1113 121 4800	1	Pump diaphragm	4970520
25	* 1113 129 0910	1	Gasket	4970520
26	* 1113 121 0810	1	End cover	4970520
27	* 1113 122 7700	4	Oval head screw	4970520



113ET014.LÄ

Handle frame, Handlebar

Reference	Item number	Qty	Description	Contains
1	1113 790 9901	1	Annular buffer	
2	9040 346 1010	1	Socket head screw M5x18	
3	1113 790 5601	1	Handle frame	
4	0000 967 1552	1	Model plate 031 AV	
	0000 967 1553	1	Model plate 031 AVE	
	0000 967 1554	1	Model plate 031 AVEQ	
	0000 967 1587	1	Model plate 031 AVQ	
5	0000 974 1000	2	Round head rivet 3x6	
6	1113 182 8900	1	Pin	
7	0000 958 0403	1	Washer	
8	0000 997 0603	1	Compression spring	
9	1113 182 9305	1	Starting throttle lock	
10	1115 180 1501	1	Throttle trigger	11
11	9415 415 2240	1	Hollow rivet 3x0.3x5	
12	0000 998 1205	1	Torsion spring	
13	9371 470 2640	1	Cylindrical pin 5x24	
14	1115 182 0801	1	Lockout lever	
15	1115 791 0601	1	Handle molding	
16	9132 216 0610	1	Grub screw M4x6	
17	1113 182 1505	1	Throttle rod	
18	9460 624 0320	1	E-clip 3.2	
19	1113 791 6110	1	Collar screw	
20	9048 216 1010	3	Pan head screw M5x18	
21	1113 790 9910	2	Annular buffer	
22	1113 791 6102	2	Collar screw	
23	1113 790 1701	1	Handlebar with hose 365 mm / 14 3/8"	
24	1113 790 1705	1	Handlebar with hose 365 mm / 14 3/8" (C)	
25	0000 791 2002	1	Handle hose Ø 21 mm x 1 m / 7/8x40"	
26	1115 790 9901	1	Annular buffer	
27	1113 791 6101	1	Collar screw	
28	1113 791 9700	1	Washer	
29	9460 624 0700	1	E-clip 7	
30	9048 216 1010	2	Pan head screw M5x18	
31	9036 341 1020	2	Socket head screw M5x20	
32	1113 792 9106	1	Hand guard	
	1114 792 9106	1	Hand guard	
33	1113 791 8200	1	Torsion spring	
34	0000 951 2904	1	Oval head screw M6x3.2x12	



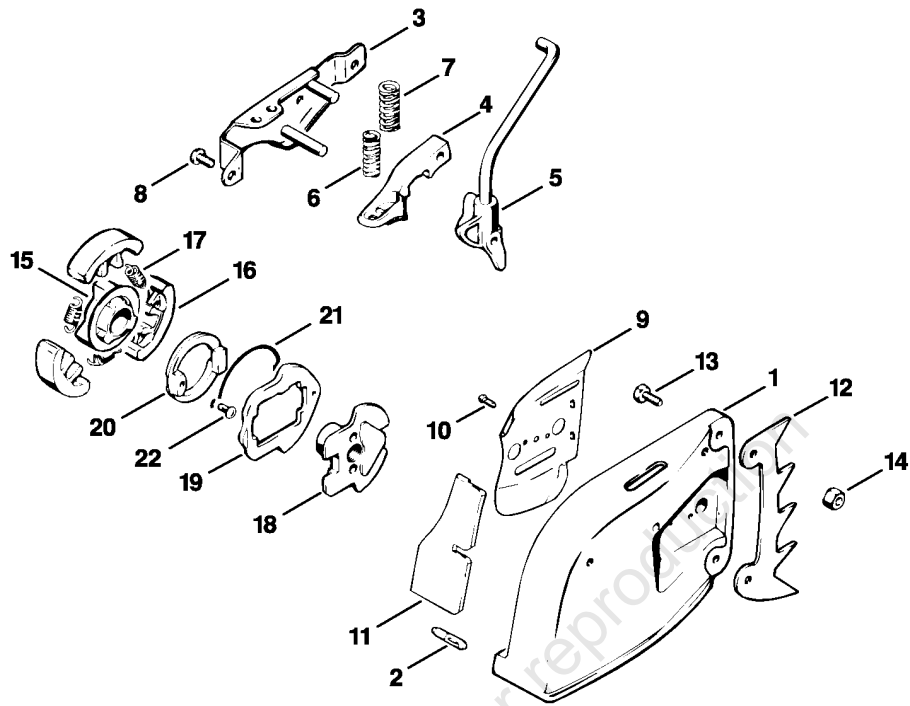
online version, not for reproduction

113ET020 SC

Tools, Extras

Reference	Item number	Qty	Description	Contains
	1113 890 1400	1	Tool kit	1 - 7
1	0000 891 0800	1	Tool roll	
2	1110 890 3401	1	Combination wrench	
3	0811 012 1152	1	Wrench 8x10	
4	0811 270 1080	1	Allen key 4x70x130	
	0000 890 2300	1	Screwdriver (A)	
5	1107 191 1201	1	Locking screw	
6	1110 893 4000	1	Filing gauge	
7	1110 893 8800	1	Hook	
8	1113 890 3600	1	Wrench (B)	
9	0811 411 8108	1	Round file Ø 5.5x200 mm (B)	
9	0811 411 8088	1	Round file Ø 4.8x200 mm (B)	
10	0811 490 7860	1	File handle A100 (B)	
11	5605 893 4000	1	Filing gauge 0.325" (B)	
	1108 890 2500	1	Grease gun (A, B)	
	1113 007 1050	1	Set of gaskets 031 (A, B)	
	1113 007 1060	1	Set of carburetor parts 032 (A, B)	
	1118 007 1060	1	Set of carburetor parts (A, B)	
	0000 930 2202	1	Ignition lead 10 m (A, B)	
	0000 930 2203	1	Starter rope Ø 3.5 mm x 30.5 m (A, B)	
	0000 930 2212	1	Starter rope Ø 3.5 mm x 60.8 m (A, B)	

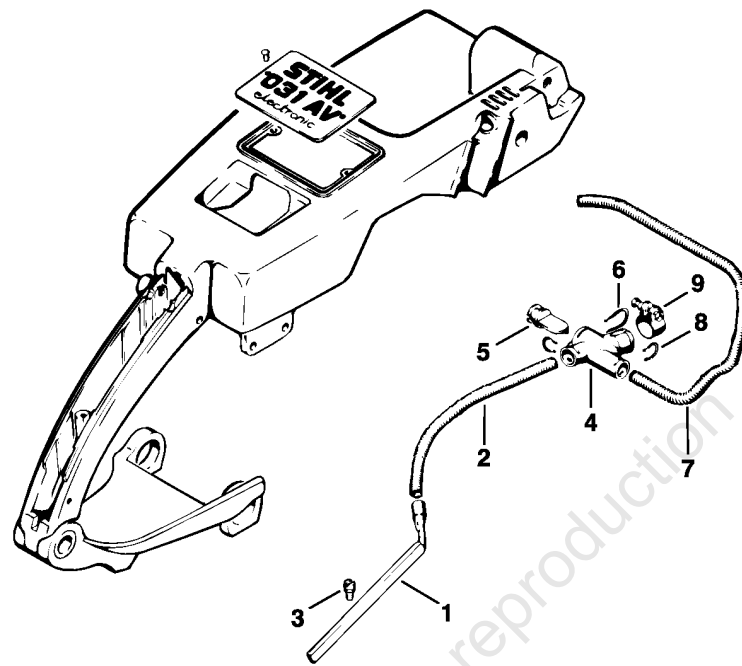
Chain sprocket cover, Brake shoe, Driving disc



113ET018 LÄ

Chain sprocket cover, Brake shoe, Driving disc

Reference	Item number	Qty	Description	Contains
	1113 640 1703	1	Chain sprocket cover	1 - 14
1	1113 640 1704	1	Chain sprocket cover	2
2	0000 971 0608	1	Pin	
3	1113 640 4901	1	Cover plate	
4	1113 640 2801	1	Brake shoe	
5	1113 640 2302	1	Cam	
6	0000 997 1100	1	Helical spring	
7	0000 997 0900	1	Helical spring	
8	9079 319 0950	2	Flat head screw M5x10	
9	1113 664 1100	1	Outer side plate	
10	9441 065 1910	2	Round head rivet 3x8	
11	1113 656 1501	1	Guard plate	
12	1110 664 0501	1	Bumper spike	
13	9008 345 0960	2	Hexagon head screw M5x12	
14	9214 320 0700	2	Lock nut M5	
	1113 160 2002	1	Clutch	15 - 17
15	1113 160 2310	1	Carrier	
16	1113 162 0802	3	Clutch shoe	
17	0000 997 5811	3	Tension spring	
	1113 160 3400	1	Drive disc	18 - 22
18	1113 162 3601	1	Drive disc	
19	1113 162 3901	1	Slide control	
20	1113 160 4000	1	Locking slide	21, 22
21	1113 162 7801	1	Spring	
22	1113 162 1200	1	Rivet	



113ET019 LÄ

Heating

Reference	Item number	Qty	Description	Contains
		1	Extras: Heating	
1	1113 141 5205	1	Tube	
2	1113 141 5400	1	Hose	
3	9047 319 0630	5	Pan head screw M4x8	
	1113 140 5000	1	Valve	4 - 6
4	1113 141 5000	1	Valve	
5	1113 141 5300	1	Throttle	
6	1113 141 5100	1	Clip	
7	1113 141 5405	1	Hose	
8	1113 141 5105	2	Clip	
9	9773 021 1400	1	Hose clamp 14	

online version, not for reproduction