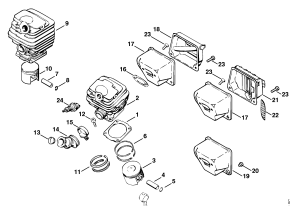
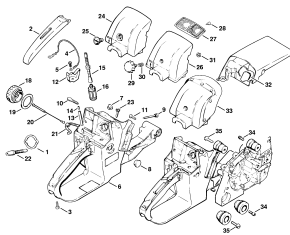


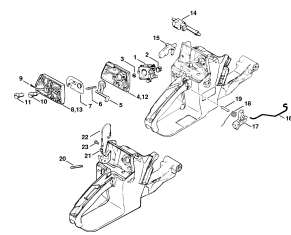
Crankcase, Crankshaft



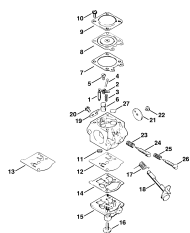
Cylinder, Muffler



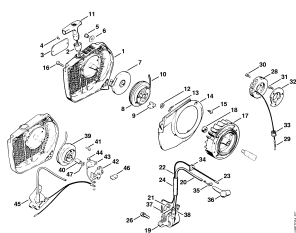
Tank housing, Pick-up body



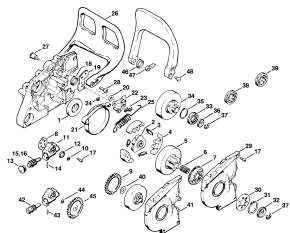
Air filter



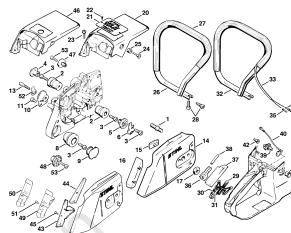
Carburetor WT-16



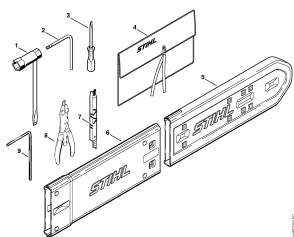
Rewind starter (Pawl),  
Ignition system  
(Electronic)



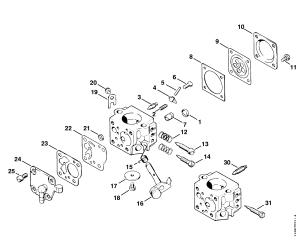
Oil pump, Chain brake



Chain sprocket cover,  
Handlebar



Tools, Extras



Carburetor Tillotson

**Description**

Crankcase, Crankshaft

Cylinder, Muffler

Tank housing, Pick-up body

Air filter

Carburetor WT-16

Rewind starter (Pawl), Ignition system (Electronic)

Oil pump, Chain brake

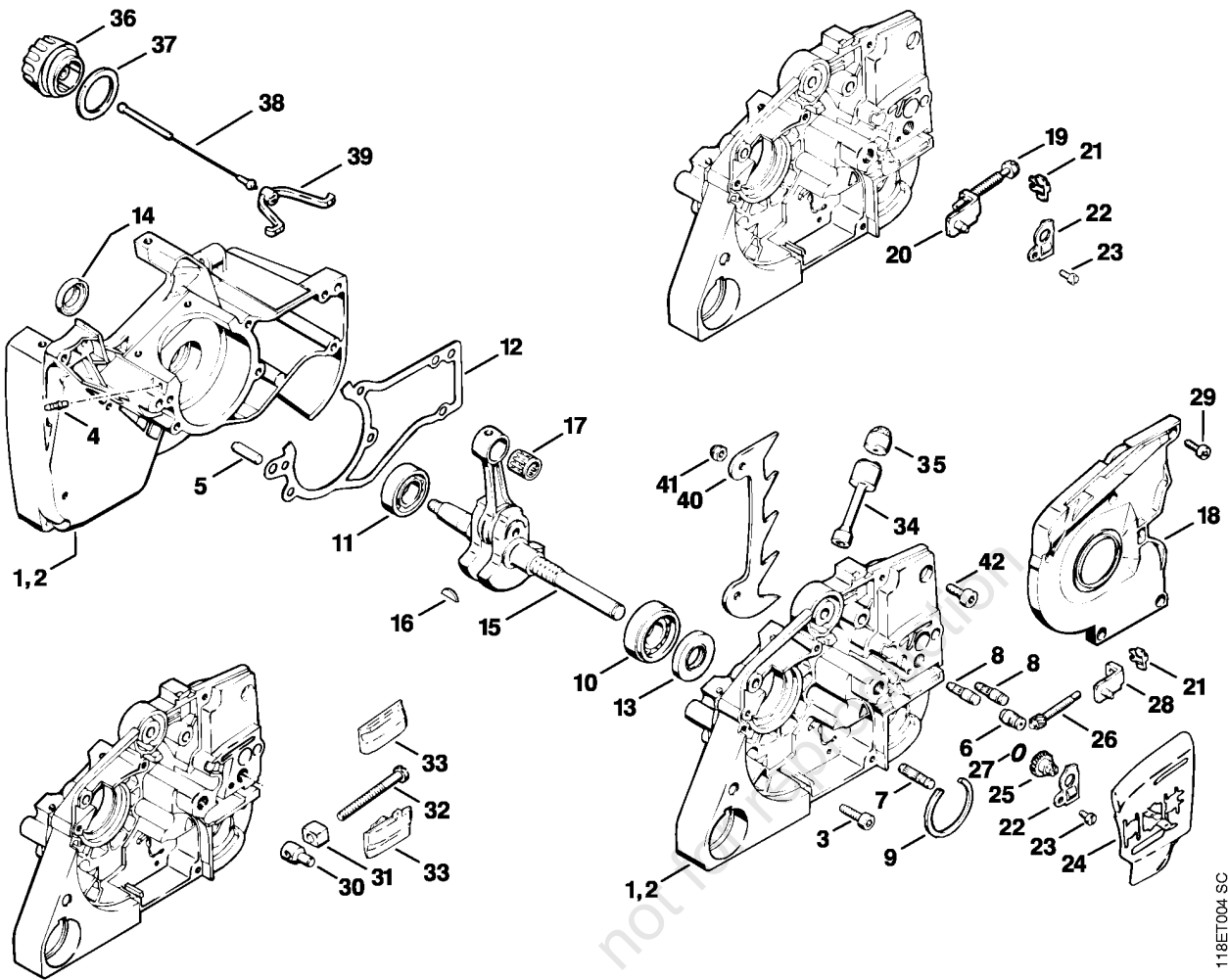
Chain sprocket cover, Handlebar

Tools, Extras

Carburetor Tillotson

online version, not for reproduction

**Crankcase, Crankshaft**



118ET004 SC

(1) 028, (2) 028 Q, (3) 028 W, (4) 028 WB

## Crankcase, Crankshaft

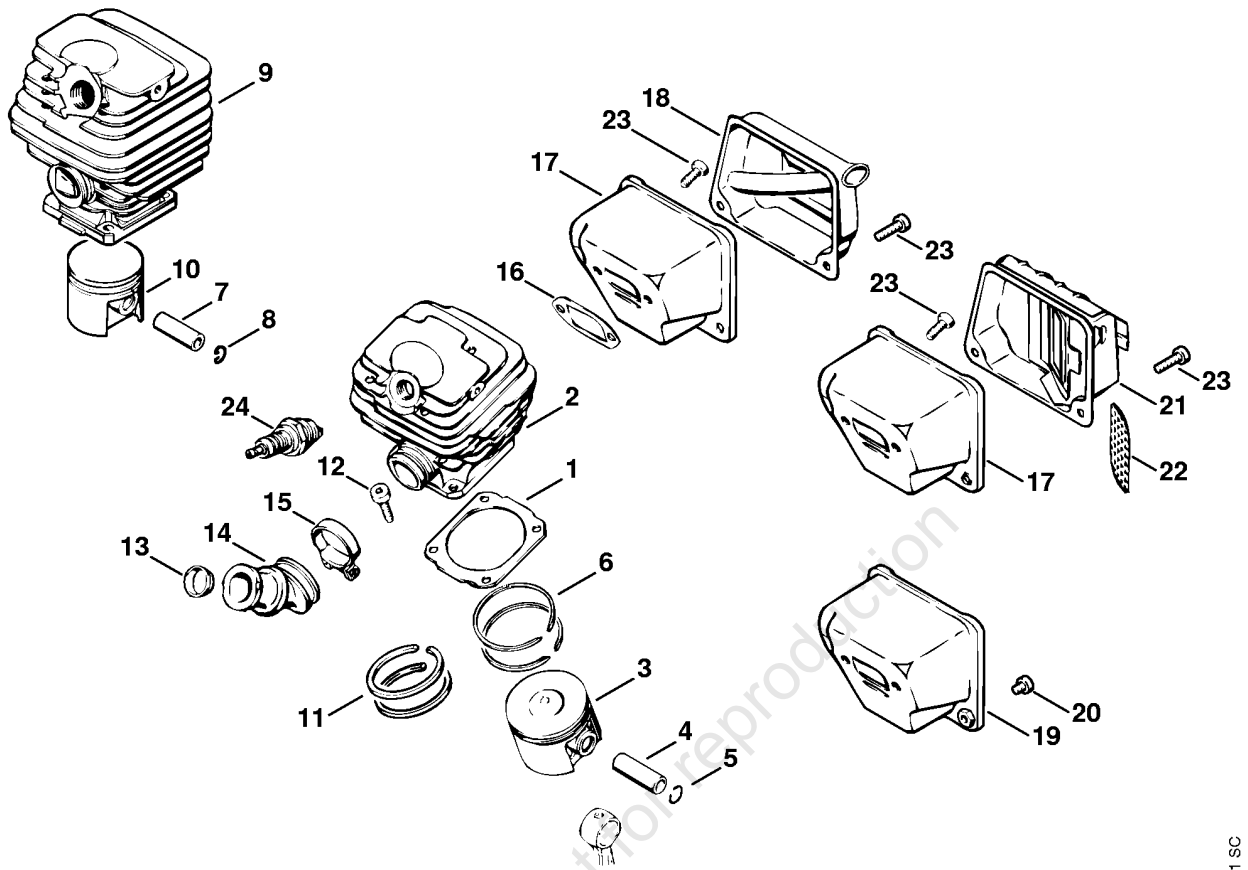
Reference	Item number	Qty	Description	Contains
1	1118 020 2124	1	Crankcase (C) (3)	3 - 11
2	1118 020 2123	1	Crankcase (2,4)	3 - 11
3	9022 341 1010	6	Spline screw IS-M5x18	
4	0000 988 5211	1	Connector	
5	9371 470 2610	2	Cylindrical pin 5x18	
6	1128 640 9100	1	Valve	
7	1118 162 5200	1	Pin	
8	1117 162 5225	2	Pin	
9	9465 620 2620	1	Snap ring 37	
10	9523 003 4260	1	Grooved ball bearing 15x35x13	
11	9503 003 0310	1	Grooved ball bearing 6002	
12	1118 029 0500	1	Gasket	
13	9640 003 1600	1	Oil seal 15x29.6x4	
14	9640 003 1340	1	Oil seal 13x22x5	
15	1118 030 0401	1	Crankshaft	16
16	1120 036 8500	1	Woodruff key 2x3.7	
17	9512 003 2340	1	Needle cage 10x14x13	
18	1118 021 1104	1	Cover	
	1118 007 1032	1	Chain tensioner kit (4)	18 - 24
	1121 640 1905	1	Tensioner slide (4)	19, 20
19	1121 664 1600	1	Adjusting screw (4)	
20		1	Tensioner slide (D) (4)	
21	1125 664 1400	1	Thrust pad	
22	1122 664 2200	1	Cover plate	
23	9041 216 0630	1	Pan head screw M4x8	
24	1122 664 1001	1	Inner side plate	
	1125 007 1021	1	Spur gear / chain adjusting screw kit (2,3)	25 - 27
25		1	Spur gear (D) (2,3)	
26		1	Adjusting screw (D) (2,3)	
27	9646 945 0490	1	O-ring 7x1.5 (2,3)	
28	1125 640 1900	1	Tensioner slide (2,3)	
29	9022 313 0660	5	Spline screw IS-M4x12	
30	1120 664 1500	1	Tensioning nut (4)	
31	1121 664 2800	1	Guide piece (4)	
32	9043 216 1101	1	Pan head screw M5x45 (4)	
33	1121 648 6610	2	Bumper strip (4)	
34	1106 647 9404	1	Hose	
35	1106 640 3801	1	Pickup body	

(1) 028, (2) 028 Q, (3) 028 W, (4) 028 WB

**Crankcase, Crankshaft**

Reference	Item number	Qty	Description	Contains
36	0000 350 0510	1	Filler cap	37 - 39
37	0000 359 1210	1	Sealing ring	
38	0000 350 0900	1	Rope	
39	0000 353 0600	1	Hook	
40	1110 664 0501	1	Bumper spike	
41	9214 320 0700	1	Lock nut M5	
42	9022 341 0960	2	Spline screw IS-M5x12	

online version, not for reproduction

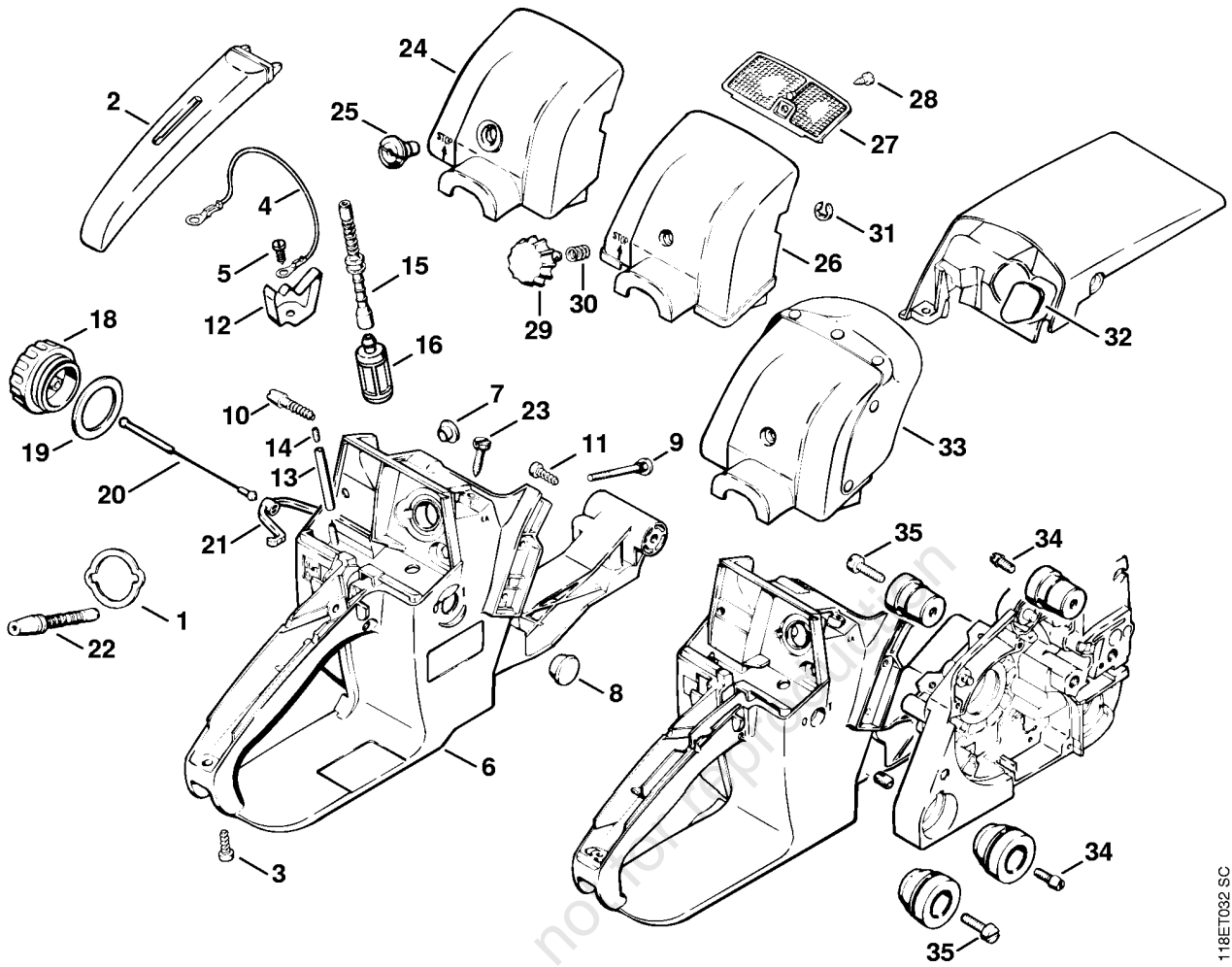


118ET031 SC

## Cylinder, Muffler

Reference	Item number	Qty	Description	Contains	Up to
1	1118 029 2306	1	Cylinder gasket 0.5 mm		
2	1118 020 1203	1	Cylinder with piston Ø 46 mm	3 - 6	
3	1118 030 2003	1	Piston Ø 46 mm	4 - 6	
4	1110 034 1500	1	Piston pin 10x6x32		
5	9463 650 1000	2	Snap ring 10		
6	1118 034 3001	2	Piston ring Ø 46x1.5 mm		
7	* 1118 034 1500	1	Piston pin 10x6x30		6111990
8	* 9462 650 1000	2	Snap ring 10		6111990
9	* 1118 020 1201	1	Cylinder with piston Ø 44 mm	4, 5, 10, 11	
10	* 1118 030 2001	1	Piston Ø 44 mm	4, 5, 11	
11	* 1110 034 3000	2	Piston ring Ø 44x1.5 mm		
12	9022 341 1010	4	Spline screw IS-M5x18		
13	1113 141 1805	1	Sleeve		
14	1118 141 2200	1	Manifold		
15	9771 021 2540	1	Hose clip Ø 29x7		
16	1118 149 0600	1	Muffler gasket		
	1118 140 0601	1	Muffler	17, 18	
17	1118 145 0703	1	Inlet casing		
18	1118 145 0801	1	Exhaust casing		
	* 1118 140 0600	1	Muffler	18, 19	13840213
19	* 1118 145 0701	1	Inlet casing		13840213
20	* 9022 341 0910	2	Spline screw IS-M5x6		13840213
	1118 140 0612	1	Muffler USA, AUS, CDN	17, 21, 22	
21	1118 140 0802	1	Exhaust casing		
22	1118 141 9006	1	Screen		
	* 1118 140 0611	1	Muffler USA, AUS, CDN	19, 21, 22	13840213
23	9022 341 0980	4	Spline screw IS-M5x16		
24	0000 400 7000	1	Spark plug NGK BPMR7A		
24	1110 400 7005	1	Spark plug Bosch WSR 6 F		

**Tank housing, Pick-up body**



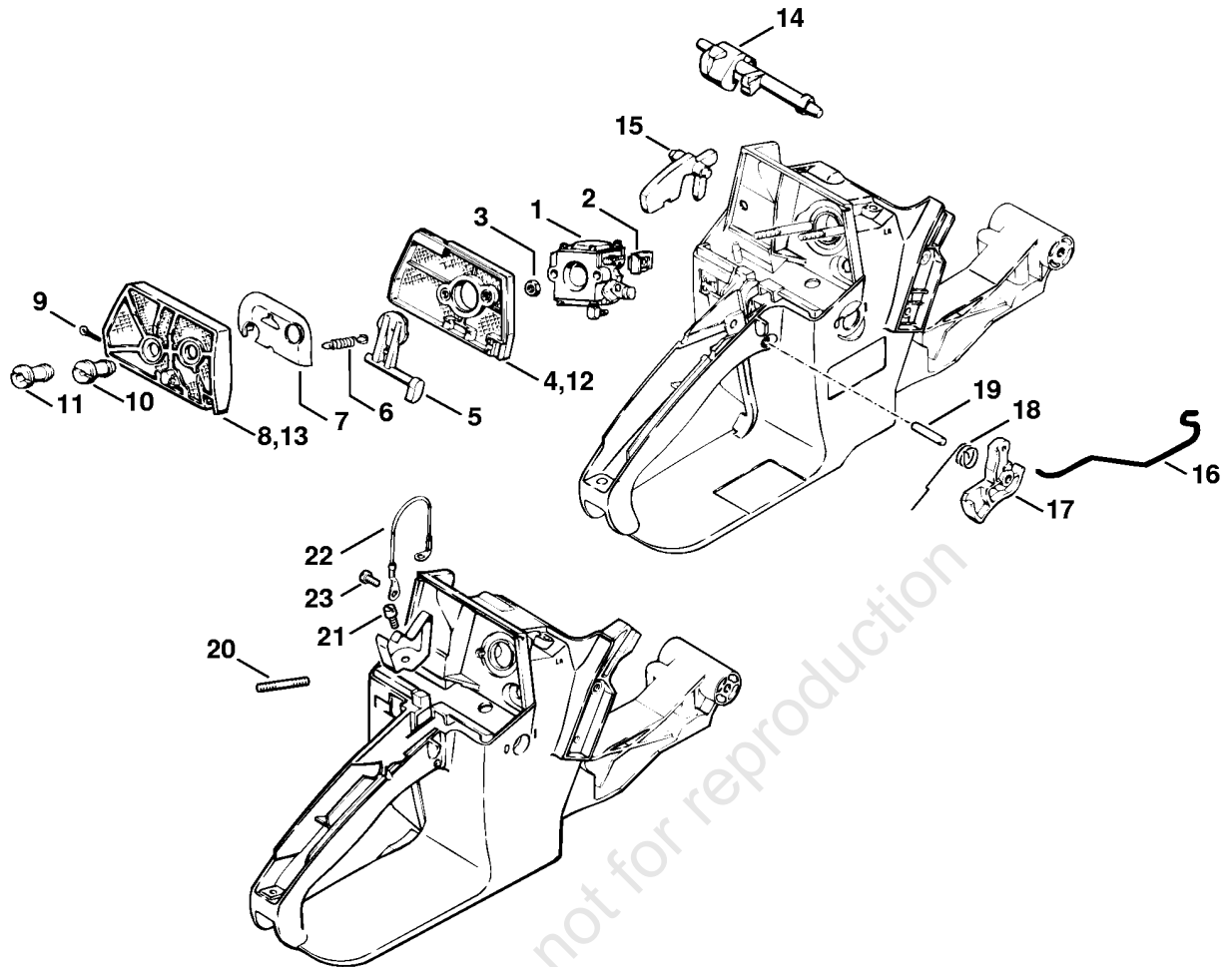
118ET032 SC

(1) 028, (2) 028 Q, (3) 028 W, (4) 028 WB



## Tank housing, Pick-up body

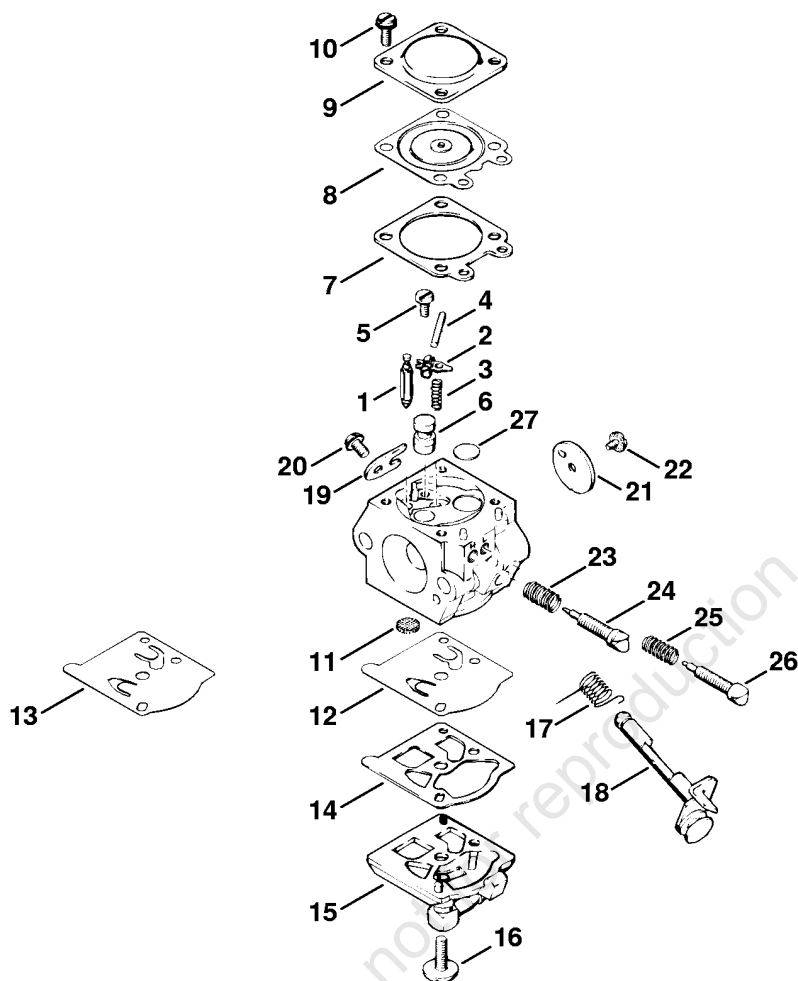
Reference	Item number	Qty	Description	Contains
	1118 007 1008	1	Tank housing assembly	1 - 11
1	1121 121 8600	1	Washer	
2	1118 791 0602	1	Handle molding	
3	9099 021 2810	1	Self-tapping screw 3.9x19	
4	1117 440 2200	1	Ground wire 200 mm / 7 7/8"	
5	9100 021 0810	1	Self-tapping screw 4.2x9.5	
6	1118 350 0815	1	Tank housing	7 - 9
7	9302 929 0400	1	Plug 9 (2,4)	
8	1118 145 9001	1	Plug (2,4)	
9	1121 122 6600	2	Collar screw	
10	1121 791 6105	1	Pan head screw	
11	9074 478 4425	2	Pan head self-tapping screw IS-P6x19	
12	1118 442 1600	1	Contact spring	
13	1117 350 5800	1	Tank vent	14
14	1120 358 8105	2	Vent insert	
15	1118 358 7700	1	Hose	
16	0000 350 3500	1	Pickup body	
18	0000 350 0520	1	Filler cap	19 - 21
19	0000 359 1220	1	Sealing ring	
20	0000 350 0900	1	Rope	
21	0000 353 0600	1	Hook	
22	1115 141 8600	1	Impulse hose	
23	1110 122 6201	1	Idle speed screw	
24	1118 140 1905	1	Carburetor box cover (4)	25
25	1118 141 8300	1	Slotted nut (4)	
26	1118 140 1900	1	Carburetor box cover (2,3)	27 - 31
27	1118 120 1500	1	Prefilter (2,3)	
28	9099 021 2770	1	Self-tapping screw 3.9x13 (2,3)	
29	1113 140 9200	1	Twist lock (2,3)	
30	0000 997 0927	1	Compression spring (2,3)	
31	9460 624 0500	1	E-clip 5 (2,3)	
	1118 007 1000	1	Intake air preheating kit (B)	27 - 33
32	1118 145 9000	1	Plug	
33	1118 140 1901	1	Carburetor box cover	27 - 31
34	* 1118 792 3300	2	Screw	
35	* 9041 216 1280	2	Pan head screw M6x16	



118ET033 SC

## Air filter

Reference	Item number	Qty	Description	Contains	Up to
1	1118 120 0601	1	Carburetor WT16B		
2	1118 123 7500	1	Grommet		
3	9210 260 0700	2	Hexagon nut M5		
	1118 120 1610	1	Air filter	4 - 11	
4	1118 120 1600	1	Air filter		
5	1118 121 2900	1	Choke shutter		
6	0000 997 5505	1	Tension spring		
7	1121 121 7001	1	Baffle		
8	1118 120 1605	1	Air filter		
9	9395 825 1090	1	Split pin 2x10		
10	1113 141 8305	1	Slotted nut		
11	1113 140 9510	1	Slotted nut		
	1118 120 1611	1	Air filter, flocked	5 - 7, 9 - 13	
12	1118 120 1601	1	Air filter, flocked		
13	1118 120 1606	1	Air filter, flocked		
14	1118 182 0900	1	Switch shaft		
15	1117 182 0805	1	Lockout lever		
16	1118 182 1501	1	Throttle rod		
17	1118 182 1006	1	Throttle trigger		
18	1117 182 4500	1	Torsion spring		
19	9371 470 2640	1	Cylindrical pin 5x24		
20	* 0000 953 0806	2	Stud M5x43		11171020
21	* 9047 319 0650	1	Pan head screw M4x10		11171020
22	* 1118 440 2200	1	Ground wire		11171020
23	* 9041 216 0610	1	Pan head screw M4x6		11171020



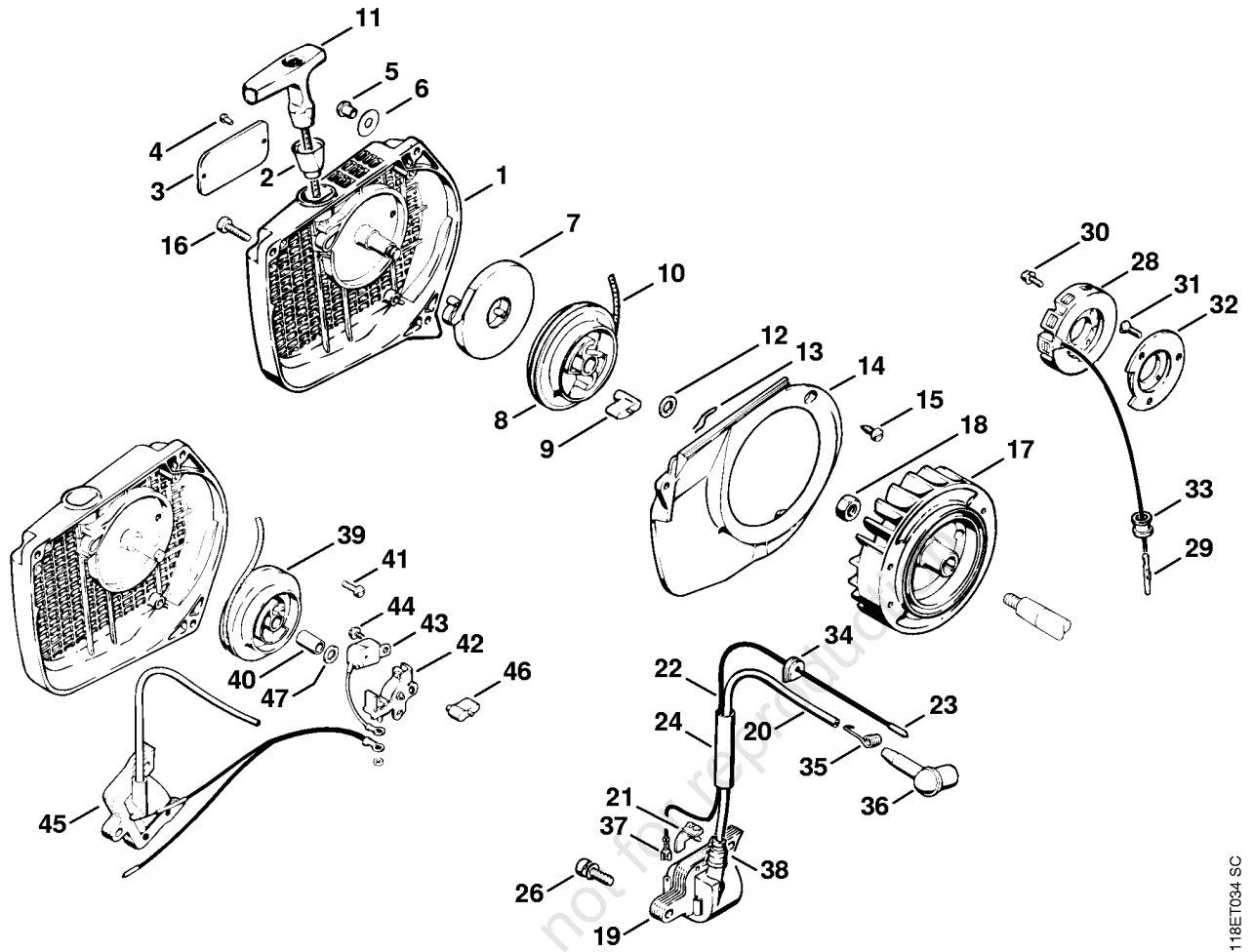
118ET038 SC

(1) 028, (2) 028 Q, (3) 028 W, (4) 028 WB

## Carburetor WT-16

Reference	Item number	Qty	Description	Contains
	1118 120 0601	1	Carburetor WT16B	1 - 27
1	1110 121 5100	1	Inlet needle	
2	1113 121 5000	1	Inlet control lever	
3	1114 122 3005	1	Spring	
4	1113 121 9200	1	Spindle	
5	1114 122 7400	1	Round head screw	
6	1120 121 5405	1	Valve jet	
7	1120 129 0900	1	Gasket	
8	1113 121 4705	1	Metering diaphragm	
9	1113 121 0800	1	End cover	
10	1106 122 7400	4	Round head screw	
11	1114 121 7800	1	Strainer	
12	1121 121 4801	1	Pump diaphragm	
13	* 1120 121 4805	1	Pump diaphragm	
14	1120 129 0905	1	Gasket	
15	1118 121 0805	1	End cover	
16	1114 122 7100	1	Screw	
17	1113 122 3205	1	Torsion spring	
18	1118 120 7105	1	Throttle shaft with lever	
19	1110 122 9300	1	Clip	
20	1106 122 7400	1	Round head screw	
21	1114 121 3300	1	Throttle shutter	
22	1110 122 7400	1	Round head screw	
23	1106 122 3000	1	Spring	
24	1118 122 6700	1	High speed screw	
25	1110 122 3030	1	Spring	
26	1120 122 6805	1	Low speed screw	
27	4117 122 9402	1	Plug	
	1118 007 1066	1	Set of carburetor parts	1 - 3, 7, 8, 11, 12, 14
	1120 007 1064	1	Set of carburetor parts WT	7, 8, 14

**Rewind starter (Pawl), Ignition system (Electronic)**



118ET034 SC

(1) 028, (2) 028 Q, (3) 028 W, (4) 028 WB

## Rewind starter (Pawl), Ignition system (Electronic)

Reference	Item number	Qty	Description	Contains	Up to
1	1118 080 1805	1	Fan housing	2 - 6	
2	1110 084 9102	1	Bushing		
3	0000 967 2020	1	Nameplate STIHL		
4	0000 974 1000	2	Round head rivet 3x6		
5	9416 868 6630	4	Hollow rivet 6.5x0.5x6.8		
6	0000 958 0607	1	Washer		
7	1118 190 0600	1	Rewind spring		
8	1125 195 0401	1	Rope rotor		
9	1125 195 7200	1	Pawl		
10	1113 195 8200	1	Starter rope Ø 3.5x960 mm		
	0000 930 2203	1	Starter rope Ø 3.5 mm x 30.5 m (B)		
	0000 930 2212	1	Starter rope Ø 3.5 mm x 60.8 m (B)		
11	1121 195 3400	1	Starter grip		
12	0000 958 0923	1	Washer		
13	1118 195 3500	1	Spring		
14	1118 084 7800	1	Segment		
15	9099 021 0830	3	Self-tapping screw 4.2x12		
16	9022 341 1010	3	Spline screw IS-M5x18		
17	1118 400 1206	1	Flywheel (2,4)		
18	9210 261 1140	1	Hexagon nut M8x1		
19	0000 400 1300	1	Ignition module	20, 21, 38	
20		1	Ignition lead 175 mm		
	0000 405 0600	1	Ignition lead 1 m (B)		
	0000 930 2251	1	Ignition lead 10 m (B)		
21	0000 448 1250	1	Lead retainer		
22	1118 440 1100	1	Short circuit wire 330 mm / 13"	23, 37	
23	1110 442 7000	1	Contact sleeve (C)		
24	1119 405 8000	1	Hose (2,4)		
26	9022 371 1022	2	Spline screw IS-M5x20		
28	1128 404 3500	1	Generator (3)	29	
29	1118 431 6600	1	Terminal pin (C) (3)		
30	9048 319 0650	3	Pan head screw M4x10 (3)		
31	9062 319 0650	3	Countersunk screw M4x10 (3)		
32	1118 028 0700	1	Flange (3)		
33	0000 989 0809	1	Grommet (3)		
34	0000 989 0507	1	Grommet		
35	0000 998 0603	1	Torsion spring		
36	1106 405 1000	1	Spark plug boot		

(1) 028, (2) 028 Q, (3) 028 W, (4) 028 WB

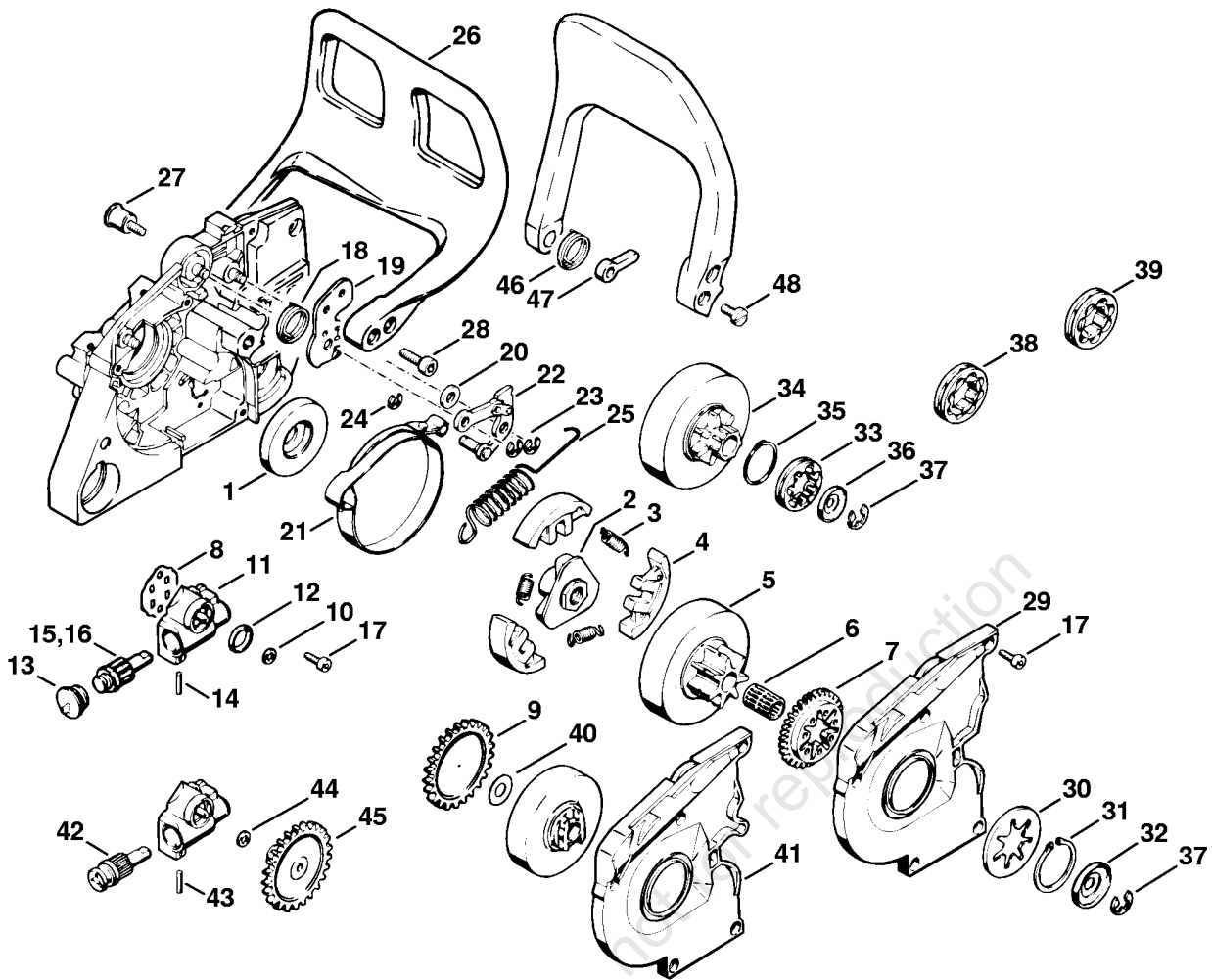
## Rewind starter (Pawl), Ignition system (Electronic)

Reference	Item number	Qty	Description	Contains	Up to
37	0751 030 8953	1	Terminal socket 4.8-1 (C)		
38	0000 989 1010	1	Grommet		
39	* 1118 190 1000	1	Rope rotor	40	11171020
40	* 0000 963 1001	1	Bushing		11171020
41	* 9079 216 0660	1	Flat head screw M4x12		11171020
42	* 1118 400 2000	1	Set of points		11171020
43	* 1118 404 3400	1	Capacitor		11171020
44	* 9047 319 0650	3	Pan head screw M4x10		11171020
45	* 1118 400 1305	1	Ignition coil	20, 23	11171020
46	* 1118 195 7200	1	Pawl		15643508
47	* 0000 958 0806	1	Washer		23875448

online version, not for reproduction



**Oil pump, Chain brake**



118ET035 SC

(1) 028, (2) 028 Q, (3) 028 W, (4) 028 WB

## Oil pump, Chain brake

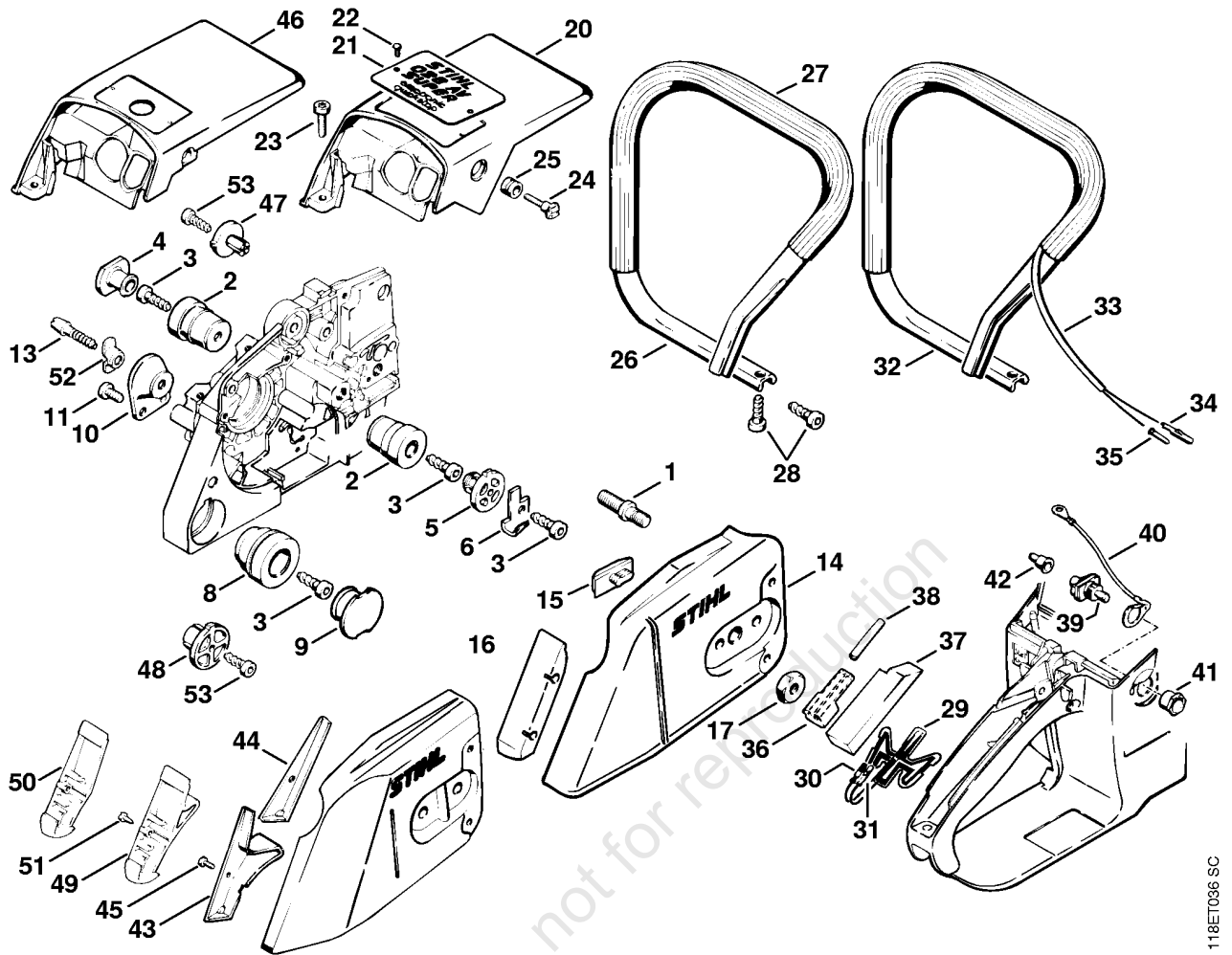
Reference	Item number	Qty	Description	Contains	Up to
1	1118 162 1001	1	Cover washer		
	1118 160 2002	1	Clutch	2 - 4	
2	1118 160 2302	1	Carrier		
3	0000 997 5811	3	Tension spring		
4	1113 162 0802	3	Clutch shoe		
5	1118 640 2001	1	Chain sprocket 0.325" 7T		
6	9512 933 2370	1	Needle cage 10x13x23		
7	1118 642 1506	1	Spur gear		
8	1116 649 0500	1	Gasket		
	1118 640 3210	1	Oil pump with wormgear	9 - 15	
9	1119 640 7100	1	Worm		
10	0000 958 0406	1	Washer		
11	1118 640 3007	1	Pump housing		
12	9643 950 1160	1	Sealing ring 12x16x3		
13	1118 647 7000	1	Plug		
14	9517 003 5080	1	Cylindrical roller 4x13.8		
15	1118 647 0607	1	Pump piston 0.6 mm		
	1118 640 3211	1	Oil pump with wormgear (B,C)	9 - 14, 16	
16	1118 647 0605	1	Pump piston 0.7 mm (B,C)		
17	9022 313 0660	7	Spline screw IS-M4x12		
18	0000 998 1801	1	Torsion spring		
19	1118 162 5005	1	Lever (2,3,4)		
20	0000 958 0704	1	Washer (2,3,4)		
21	1118 160 5402	1	Brake band (2,3,4)		
22	1118 160 5002	1	Lever (2,3,4)		
23	9460 624 0500	2	E-clip 5 (2,3,4)		
24	9468 621 0330	1	Circlip 6x0.7 (2,3,4)		
25	1118 162 7901	1	Tension spring (2,3,4)		
26	1118 790 9100	1	Hand guard (2,3,4)		
27	0000 790 6101	1	Screw assy.		
28	9022 341 0980	2	Spline screw IS-M5x16		
29	1118 021 1104	1	Cover (2,3,4)		
30	1118 642 7801	1	Washer		
31	9455 621 3490	1	Circlip 31x1.2		
32	0000 958 1022	1	Washer Ø 27 mm		
	1118 007 1004	1	Rim sprocket kit 0.325" 7T (B)	33 - 37	
33	0000 642 1236	1	Rim sprocket 0.325" 7T (B)		
34		1	Clutch drum (B,D)		

(1) 028, (2) 028 Q, (3) 028 W, (4) 028 WB

## Oil pump, Chain brake

Reference	Item number	Qty	Description	Contains	Up to
35	9455 621 2060	1	Circlip 19x1.2 (B)		
36	0000 958 1022	1	Washer Ø 27 mm (B)		
37	9460 624 0801	1	E-clip 8x1.3 (B)		
	1118 007 1005	1	Rim sprocket kit 0.325" 8T (B)	34 - 38	
38	0000 642 1234	1	Rim sprocket 0.325" 8T (B)		
	1118 007 1007	1	Rim sprocket kit 3/8" 7T (B)	34 - 37, 39	
39	0000 642 1231	1	Rim sprocket 3/8" 7T (B)		
40	* 1118 162 8935	1	Washer		17572128
	* 1118 007 1029	1	Set chain sprocket 0.325" 7T (B)	5, 7, 30, 31, 41	6552119
	* 1118 007 1003	1	Rim sprocket kit 0.325" 7T (B)	7, 30, 33 - 37, 41	6552119
41	* 1118 021 1102	1	Cover		6552119
42	* 1206 640 4700	1	Pump piston (4)		15228763
43	* 9517 003 5060	1	Cylindrical roller 4x10.8 (4)		15228763
44	* 0000 958 0504	1	Washer		15228763
45	* 1116 647 1806	1	Spur gear (4)		15228763
46	* 0000 998 1600	1	Torsion spring		11171020
47	* 1118 162 5001	1	Lever		11171020
48	* 9079 319 0960	2	Flat head screw M5x12		11171020

**Chain sprocket cover, Handlebar**



118ET036 SC

(1) 028, (2) 028 Q, (3) 028 W, (4) 028 WB

## Chain sprocket cover, Handlebar

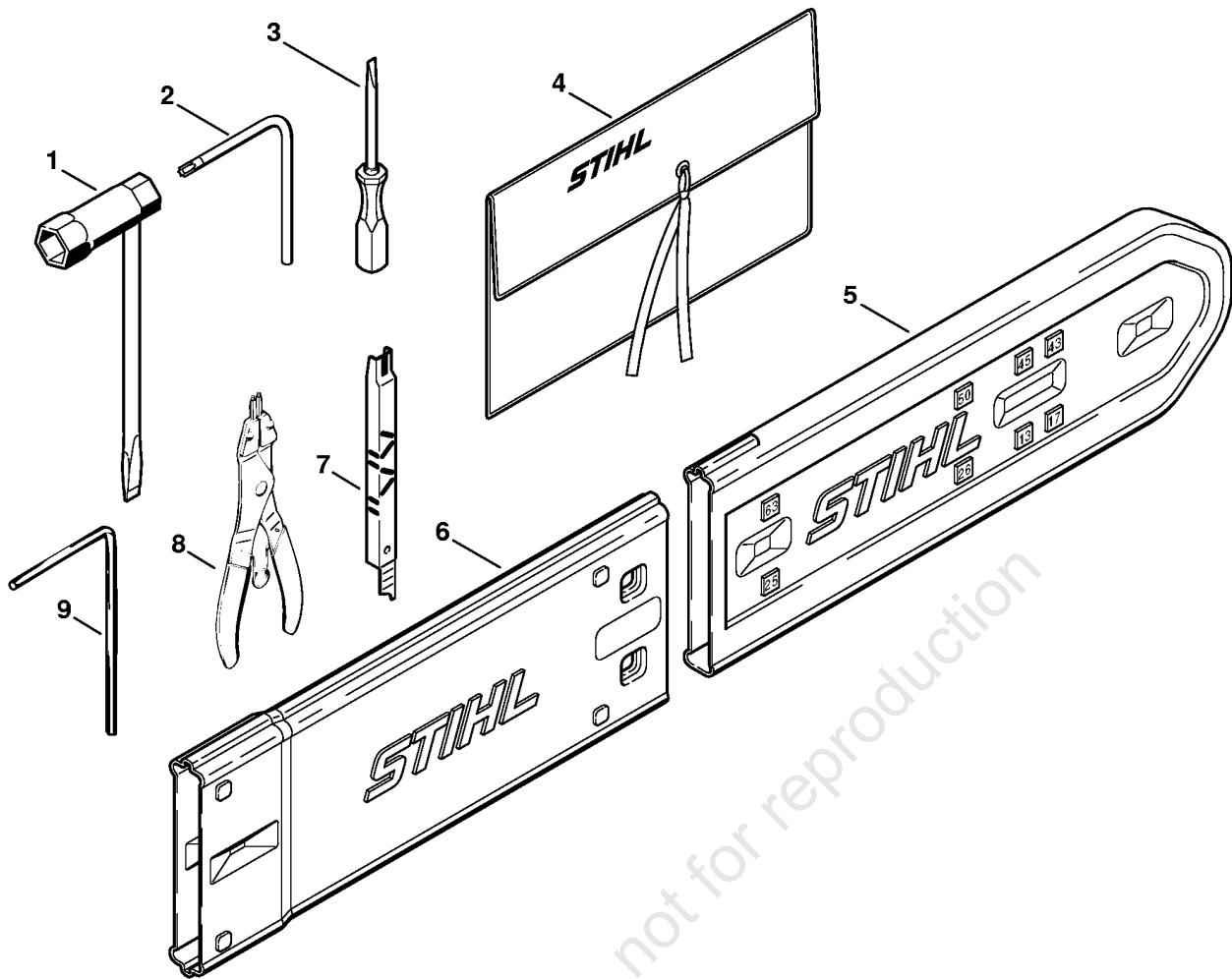
Reference	Item number	Qty	Description	Contains	Up to
1	0000 953 6605	2	Collar screw M8		
2	1122 790 9905	2	Annular buffer 1122/05		
3	9074 478 4435	4	Pan head self-tapping screw IS-P6x19		
4	1122 791 7301	1	Plug		
5	1118 791 7310	1	Plug		
6	1119 656 7705	1	Chain catcher		
8	1121 790 9909	1	Annular buffer		
9	1125 791 7306	1	Plug		
10	1118 790 9930	1	Annular buffer		
11	9022 341 0960	2	Spline screw IS-M5x12		
13	1121 791 6105	1	Pan head screw		
14	1125 640 1701	1	Chain sprocket cover	15, 16	
15	1121 648 6610	2	Bumper strip		
16	1125 656 1501	1	Guard		
17	0000 955 0801	2	Hexagon nut M8		
20	1118 084 0902	1	Shroud		
21	1118 967 1505	1	Model plate 028 AVSEQ		
22	0000 974 1000	2	Round head rivet 3x6		
23	9022 341 1010	1	Spline screw IS-M5x18		
24	1124 084 8700	1	Collar screw		
25	1124 084 8900	1	Ring		
26	1118 790 1701	1	Handlebar (1,2,4)	27	
27		1	Hose 480 mm / 18 15/16" (1,2,4)		
	0000 791 2009	1	Handle hose Ø 19 mm x 5 m / 3/4x197" (B) (1,2,4)		
28	9074 478 4435	4	Pan head self-tapping screw IS-P6x19		
29	1125 434 5000	1	Heating element (3)	30, 31	
30	1118 431 6700	1	Terminal socket (C) (3)		
31	1118 431 6600	1	Terminal pin (C) (3)		
32	1118 790 1712	1	Handlebar (3)	33 - 35	
33	1121 442 0403	1	Insulating hose 130 mm / 5.1" (3)		
34	1118 431 6700	1	Terminal socket (C) (3)		
35	1110 442 7000	1	Contact sleeve (C) (3)		
36	1118 791 9001	1	Clamp (3)		
37	1121 791 9000	1	Clamp (3)		
38	1121 442 0406	1	Insulating hose 40 mm / 1.6" (3)		
39	1121 430 0200	1	Heating switch (3)		

(1) 028, (2) 028 Q, (3) 028 W, (4) 028 WB

## Chain sprocket cover, Handlebar

Reference	Item number	Qty	Description	Contains	Up to
40	1118 440 2205	1	Ground wire (3)		
41	1118 432 2200	1	Hexagon nut M12 (3)		
42	1110 432 9200	1	Grommet (3)		
43	* 1118 656 1500	1	Guard		13840213
44	* 1121 656 1500	1	Guard (B)		13840213
45	* 9039 488 0340	2	Self-tapping screw M3x8		13840213
46	* 1118 084 0900	1	Shroud		16857378
47	* 1118 791 7310	1	Plug		17891548
48	* 1118 791 7305	1	Plug		18770709
49	* 1125 656 1500	1	Guard		20252882
50	* 1125 656 1505	1	Guard (B)		20252882
51	* 9099 021 1760	1	Self-tapping screw 2.9x9.5		20252882
52	* 1121 791 1200	1	Retainer		20252882
53	* 9074 478 4425	2	Pan head self-tapping screw IS-P6x19		18770709

online version, not for reproduction



online version, not for reproduction

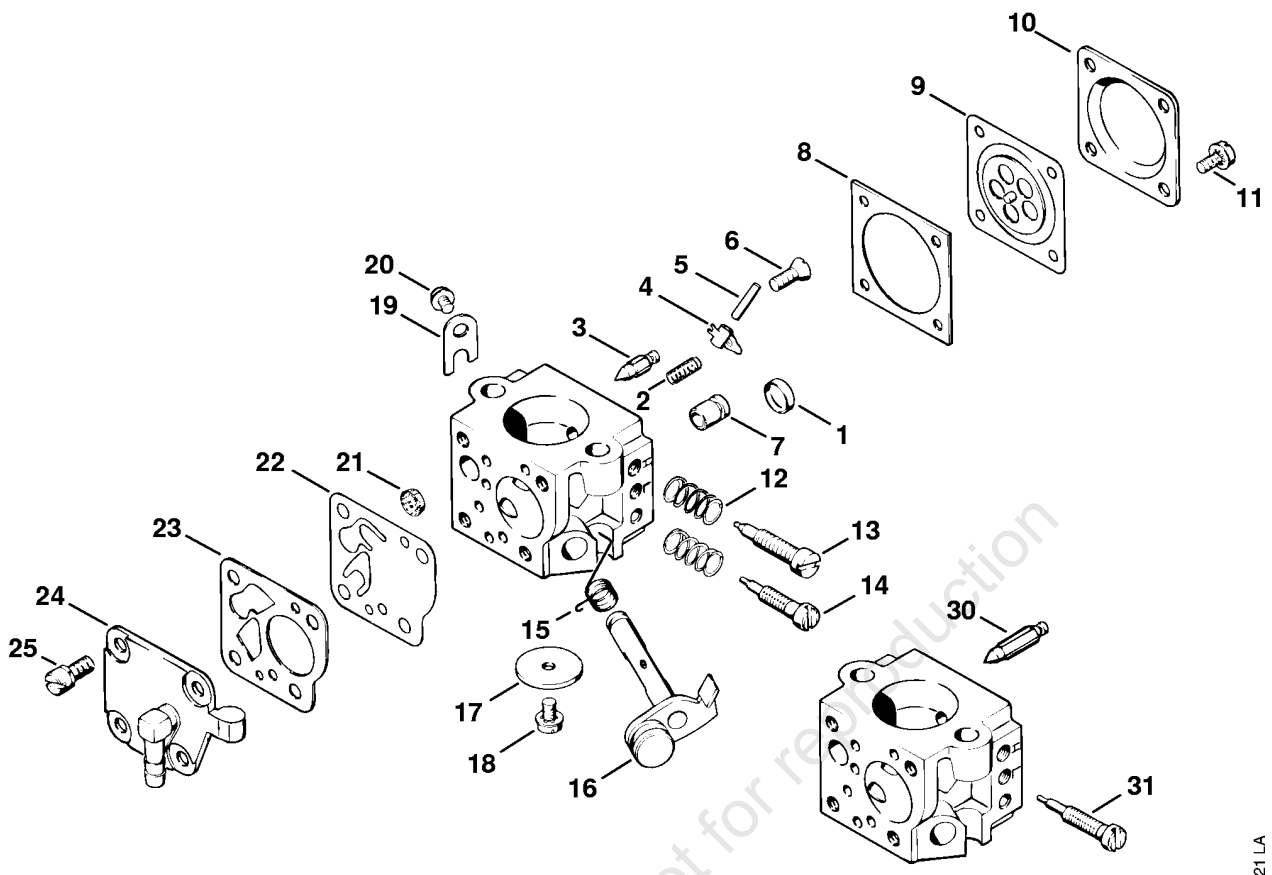
118ET037 SC

## Tools, Extras

Reference	Item number	Qty	Description	Contains
	1121 890 1400	1	Tool kit	1 - 4
1	1129 890 3401	1	Combination wrench	
2	0812 370 1000	1	Screwdriver T27x120x70	
3	0000 890 2300	1	Screwdriver	
4	0000 891 0810	1	Tool roll	
5	0000 792 9129	1	Chain scabbard	
6	0000 792 9132	1	Chain scabbard extension up to 63 cm (B,C)	
7	1110 893 4000	1	Filing gauge (B)	
8		1	Circlip pliers (C)	
9	* 0811 270 1080	1	Allen key 4x70x130	
	1118 007 1050	1	Set of gaskets (B)	
	0751 010 1110	1	Cable 10 m (B)	

online version, not for reproduction





118ET021 LA

(1) 028, (2) 028 Q, (3) 028 W, (4) 028 WB

## Carburetor Tillotson

Reference	Item number	Qty	Description	Contains
	*	1	Carburetor HU-40D (C)	1 - 25
1	* 1113 122 9400	1	Plug	
2	* 1113 122 3000	1	Spring	
3	* 4116 121 5100	1	Inlet needle	
4	* 1113 121 5000	1	Inlet control lever	
5	* 1113 121 9200	1	Spindle	
6	* 1110 122 7800	1	Oval head screw	
7	* 1113 121 5400	1	Valve jet (C)	
8	* 1113 129 0900	1	Gasket	
9	* 1113 121 4700	1	Metering diaphragm	
10	* 1113 121 0800	1	End cover	
11	* 1106 122 7400	4	Round head screw	
12	* 1106 122 3000	2	Spring	
13	* 1113 122 6700	1	High speed screw	
14	* 1121 122 6801	1	Low speed screw (C)	
15	* 1113 122 3200	1	Torsion spring	
16	* 1118 120 7100	1	Throttle shaft with lever (C)	
17	* 1113 121 3300	1	Throttle shutter (C)	
18	* 1110 122 7400	1	Round head screw	
19	* 1110 122 9300	1	Clip	
20	* 1110 122 7400	1	Round head screw	
21	* 4221 121 7800	1	Strainer	
22	* 1113 121 4800	1	Pump diaphragm	
23	* 1113 129 0910	1	Gasket	
24	* 1118 121 0800	1	End cover	
25	* 1113 122 7700	4	Oval head screw (C)	
30	* 1110 121 5100	1	Inlet needle	
31	* 1113 122 6800	1	Low speed screw (C)	
	* 1118 007 1060	1	Set of carburetor parts	8, 9, 22, 23
	* 1118 007 1065	1	Set of carburetor parts HU-54F	2 - 4, 8, 9, 21 - 23