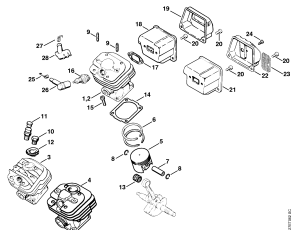
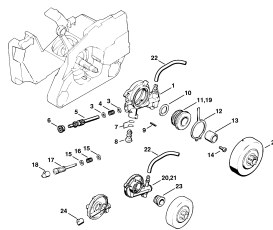


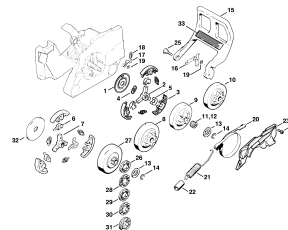
Crankcase



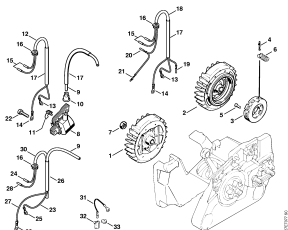
Cylinder, Muffler



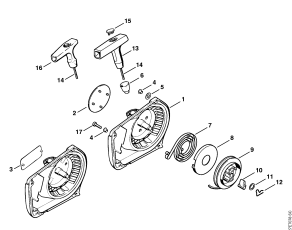
Oil pump



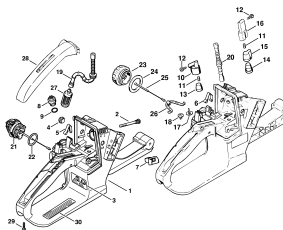
Clutch, Chain sprocket



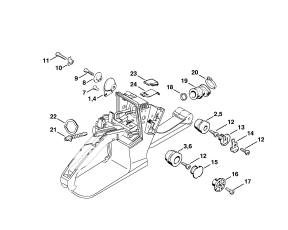
Ignition system



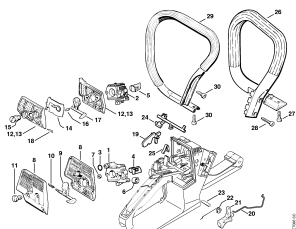
Rewind starter



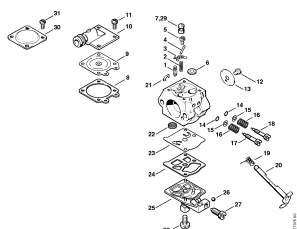
Tank housing



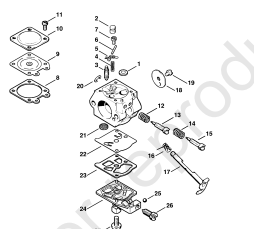
AV system



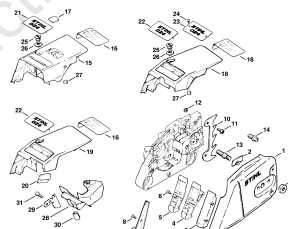
Air filter, Throttle control



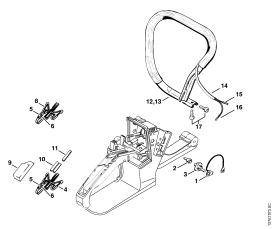
Carburetor WT-426



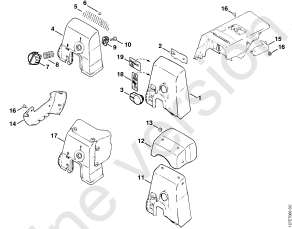
Carburetor WT-110



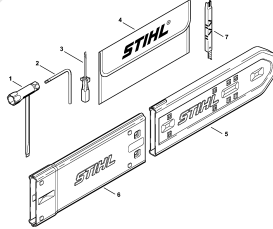
Chain sprocket cover, Shroud



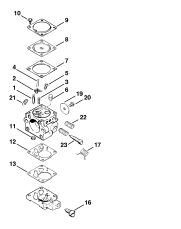
Heating



Carburetor box cover



Tools, Extras



Carburetor HU-54 (40.88)

(1) 024, (2) 024 S, (3) 024 SW, (4) 024 SWVH, (5) 024 WB

**Description**

Crankcase

Cylinder, Muffler

Oil pump

Clutch, Chain sprocket

Ignition system

Rewind starter

Tank housing

AV system

Air filter, Throttle control

Carburetor WT-426

Carburetor WT-110

Chain sprocket cover, Shroud

Heating

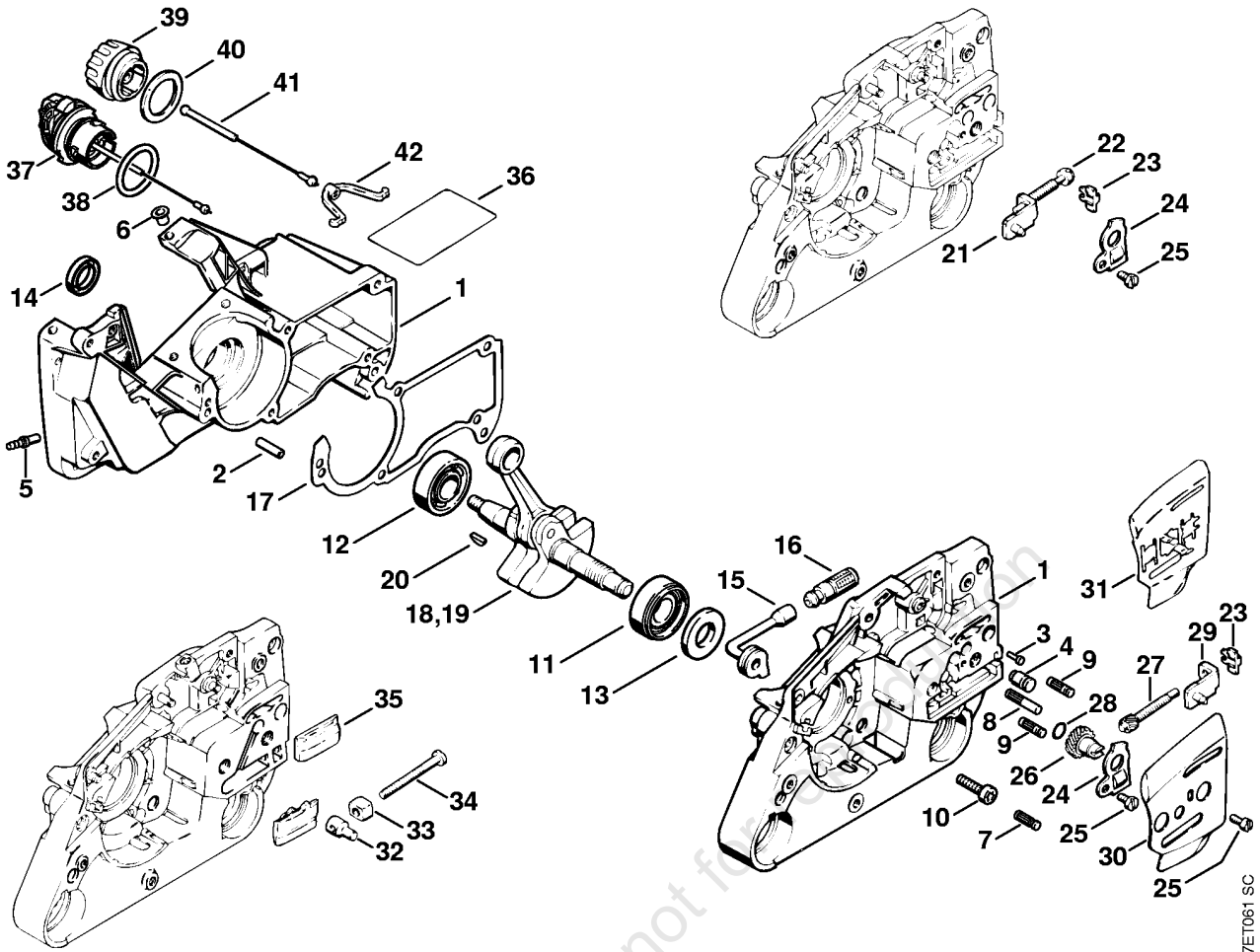
Carburetor box cover

Tools, Extras

Carburetor HU-54 (40.88)

online version, not for reproduction

**Crankcase**



127ET061 SC

(1) 024, (2) 024 S, (3) 024 SW, (4) 024 SWVH, (5) 024 WB

## Crankcase

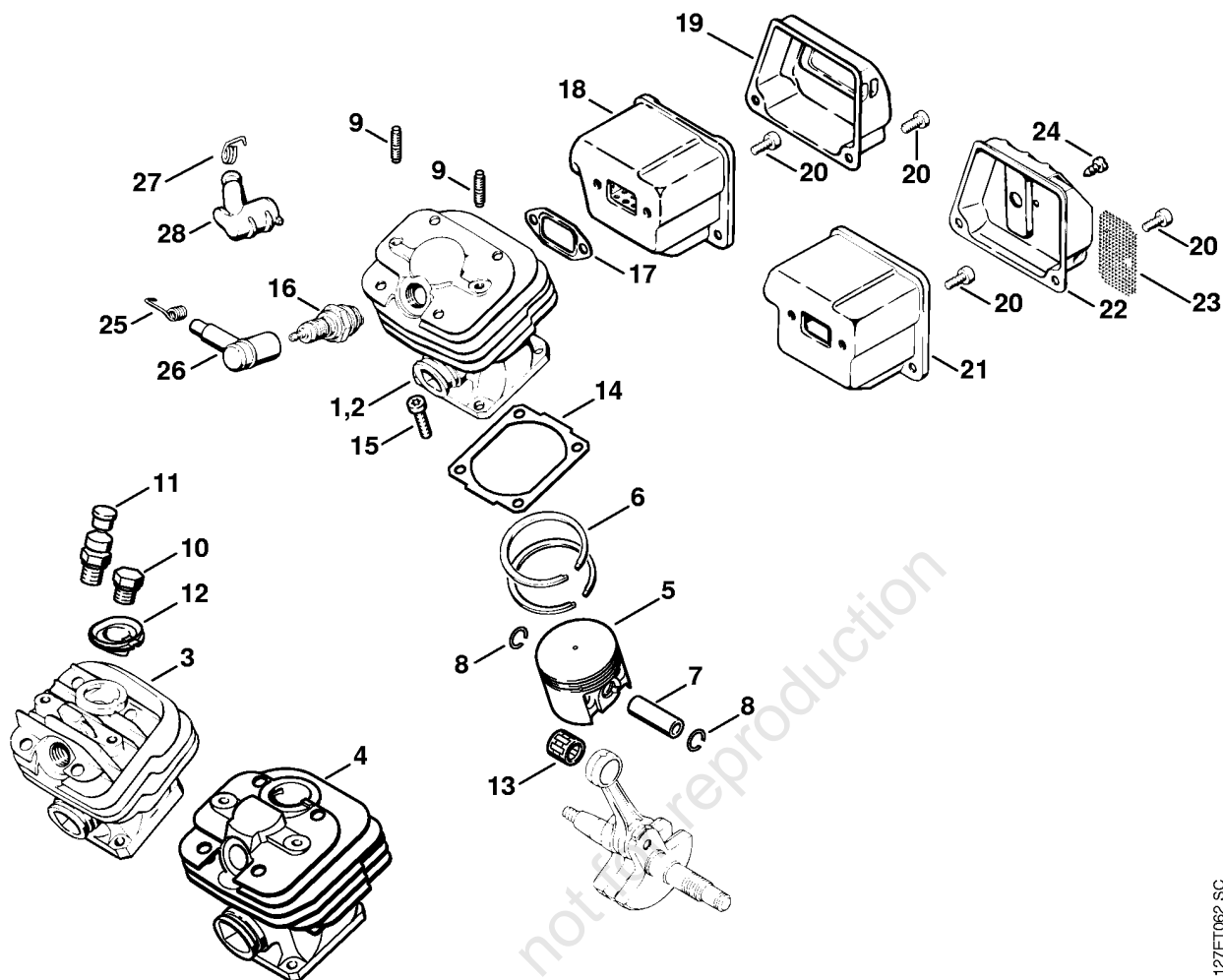
Reference	Item number	Qty	Description	Contains	Technical Information
1	1121 020 2117	1	Crankcase	2 - 9, 11, 12	
1	* 1121 020 2112	1	Crankcase	2 - 9, 11, 12	
2	9371 470 2610	2	Cylindrical pin 5x18		
3	0000 974 1200	1	Notched pin 2.6x8		
4	1128 640 9100	1	Valve		
5	0000 988 5211	1	Connector		
6	9416 868 6531	2	Hollow rivet 6.5x0.5x6.8		
7	1120 162 5200	1	Pin		
8	1121 162 5205	1	Pin		
9	1121 162 5200	2	Pin		
10	9022 371 1020	5	Spline screw IS-M5x20		
11	9523 003 4260	1	Grooved ball bearing 15x35x13		
12	9503 003 0320	1	Grooved ball bearing 16002		
13	9640 003 1600	1	Oil seal 15x29.6x4		
14	9640 003 1190	1	Oil seal 12x20x5		
15	1122 647 9400	1	Hose		
16	1117 640 3800	1	Pickup body		
17	1121 029 0500	1	Gasket		
18	1121 030 0400	1	Crankshaft J (1,5)	20	25.2005
19	1121 030 0405	1	Crankshaft (2,3,4)	20	25.2005
20	1120 036 8500	1	Woodruff key 2x3.7		
	1121 007 1021	1	Chain tensioner kit (4,5)	21 - 25	
21	1121 640 1905	1	Tensioner slide J (4,5)	22	
22	1121 664 1600	1	Adjusting screw J (4,5)		
23	1125 664 1400	1	Thrust pad		
24	1122 664 2200	1	Cover plate		
25	9041 216 0630	2	Pan head screw M4x8		
	1125 007 1021	1	Spur gear / chain adjusting screw kit (1,2,3)	26 - 28	
26		1	Spur gear (D) (1,2,3)		
27		1	Adjusting screw (D) (1,2,3)		
28	9646 945 0490	1	O-ring 7x1.5 (1,2,3)		
29	1125 640 1900	1	Tensioner slide (1,2,3)		
30	1122 664 1000	1	Inner side plate 0.5 mm (1,2,3)		
31	1122 664 1001	1	Inner side plate (B)		
32	1120 664 1500	1	Tensioning nut (5)		

(1) 024, (2) 024 S, (3) 024 SW, (4) 024 SWVH, (5) 024 WB

## Crankcase

Reference	Item number	Qty	Description	Contains	Technical Information
33	1121 664 2800	1	Guide piece (5)		
34	9043 319 8100	1	Pan head screw M5x50 (5)		
35	1121 648 6610	2	Bumper strip (5)		
36	1124 084 8301	1	Reflector foil (B)		
37	0000 350 0537	1	Filler cap	38	
38	9645 948 2470	1	O-ring 23x3		
39	* 0000 350 0510	1	Filler cap	40 - 42	
40	* 0000 359 1210	1	Sealing ring		
41	* 0000 350 0900	1	Rope		
42	* 0000 353 0600	1	Hook		
	1121 007 1050	1	Set of gaskets	13, 14, 17	

online version, not for reproduction

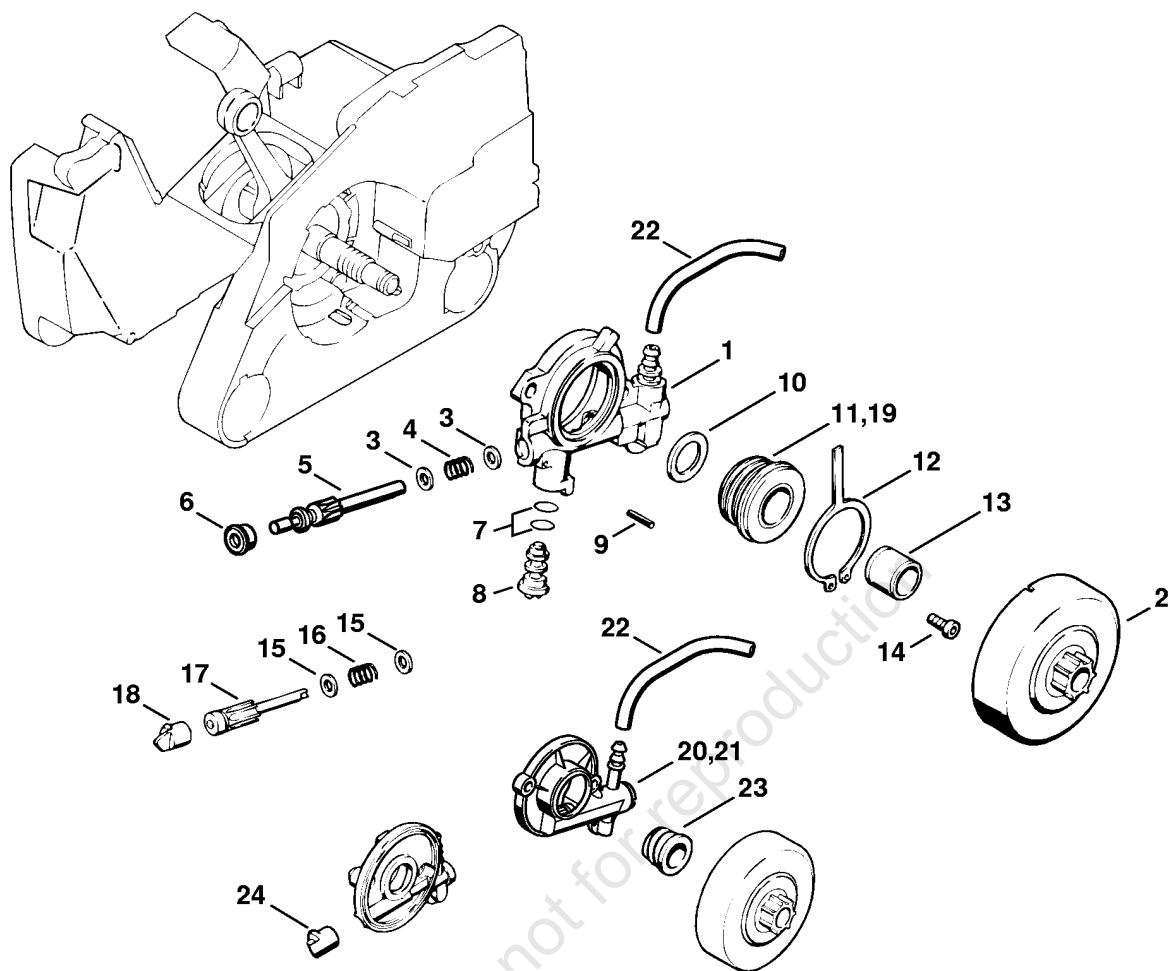


127ET062 SC

(1) 024, (2) 024 S, (3) 024 SW, (4) 024 SWVH, (5) 024 WB

## Cylinder, Muffler

Reference	Item number	Qty	Description	Contains
1	1121 020 1200	1	Cylinder with piston Ø 42 mm (1,5)	5 - 9
2	1121 020 1202	1	Cylinder with piston Ø 42 mm (2,3,4)	5 - 9
3	1121 020 1212	1	Cylinder with piston Ø 42 mm J	5 - 10
4	* 1121 020 1210	1	Cylinder with piston Ø 42 mm J	5 - 10
5	1121 030 2005	1	Piston Ø 42 mm	6 - 8
6	1121 034 3005	2	Piston ring Ø 42x1.5 mm	
7	1118 034 1500	1	Piston pin 10x6x30	
8	9463 650 1000	2	Snap ring 10	
9	0000 953 0818	2	Stud M5	
10	1122 025 2200	1	Plug J	
11	1128 020 9400	1	Decompression valve J	
12	1122 084 1405	1	Cover J	
13	9512 003 2250	1	Needle cage 10x13x12.5	
14	1118 029 2306	1	Cylinder gasket 0.5 mm	
15	9022 371 1020	4	Spline screw IS-M5x20	
16	1110 400 7005	1	Spark plug Bosch WSR 6 F	
16	0000 400 7000	1	Spark plug NGK BPMR7A	
17	1118 149 0600	1	Muffler gasket	
18	1121 140 0604	1	Muffler (1,2,5)	19
19	1121 145 0802	1	Exhaust casing (1,2,5)	
20	9022 341 0960	4	Spline screw IS-M5x12	
21	1121 140 0606	1	Muffler (3,4)	22 - 24
22	1121 140 0802	1	Exhaust casing (3,4)	23, 24
23	1118 141 9005	1	Screen (3,4)	
24	9099 021 0810	1	Self-tapping screw 4.2x9.5 (3,4)	
25	0000 998 0603	1	Torsion spring	
26	1106 405 1000	1	Spark plug boot	
27	0000 998 0604	1	Spark plug contact spring J	
28	1128 405 1000	1	Spark plug boot J	
	1121 007 1050	1	Set of gaskets	14, 17



127ET084 SC

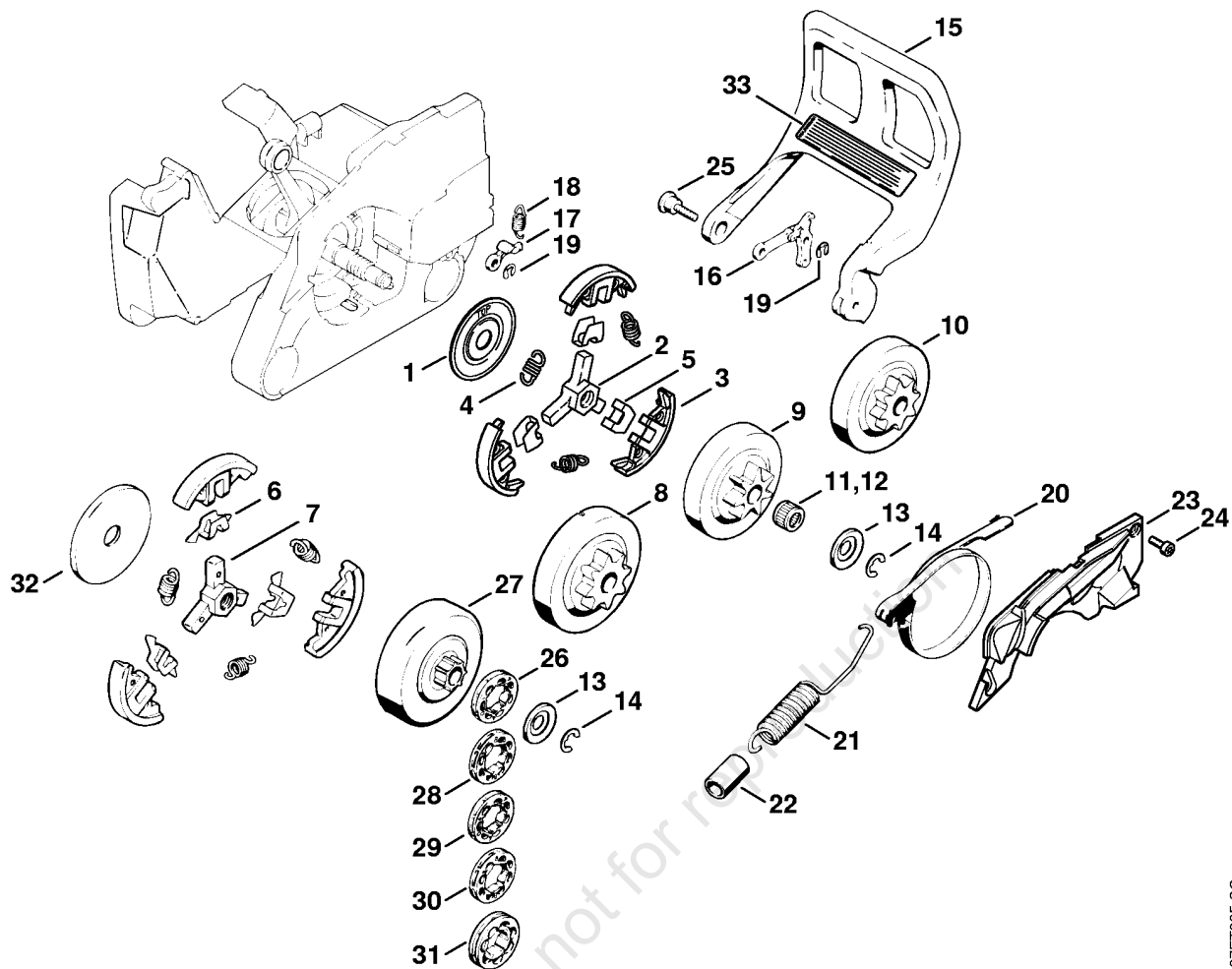
(1) 024, (2) 024 S, (3) 024 SW, (4) 024 SWVH, (5) 024 WB



## Oil pump

Reference	Item number	Qty	Description	Contains	Up to	Technical Information
	1121 007 1043	1	Conversion kit oil pump, adjustable (B)	1 - 13		
1	1121 640 3203	1	Oil pump adjustable J	3 - 9		
2		1	Clutch drum (D)			
3	0000 958 0408	2	Washer J			
4	0000 997 2002	1	Compression spring J			
5	1121 647 0603	1	Pump piston J			
6	1121 641 9400	1	Bearing bushing J			
7	9646 945 0160	1	O-ring 4x2 J			
8	1128 647 4806	1	Control bolt J			
9	9380 620 1090	1	Roll pin 2x10 J			
11	1121 640 7111	1	Worm			
10	0000 958 1234	1	Washer J			
12	1121 647 3100	1	Carrier J			
13	0000 993 0508	1	Ring 12x15x12 J			
14	9022 313 0660	2	Spline screw IS-M4x12			
15	* 0000 958 0407	2	Washer J			40.2004
16	* 0000 997 0504	1	Compression spring J			40.2004
17	* 1121 647 0601	1	Pump piston J			40.2004
18	* 1121 647 7002	1	Plug J			40.2004
19	* 1121 640 7110	1	Worm J	12		40.2004
20	1121 640 3201	1	Oil pump 5 (0.5 mm stroke) (1)			
21	1121 640 3202	1	Oil pump 65 (0.65 mm stroke) (B) J			
22	1121 640 9400	1	Hose 75 mm / 3"			
23	1121 036 1600	1	Worm (B) (1)			
24	* 1121 647 7000	1	Plug 0.65 mm stroke		42721933	

(1) 024, (2) 024 S, (3) 024 SW, (4) 024 SWVH, (5) 024 WB



127ET085 SC

(1) 024, (2) 024 S, (3) 024 SW, (4) 024 SWVH, (5) 024 WB

## Clutch, Chain sprocket

Reference	Item number	Qty	Description	Contains	Up to	Technical Information
	1121 160 2051	1	Clutch	1 - 5		
1	1121 162 1001	1	Cover washer			
2	1121 162 3201	1	Carrier			
3	1121 162 0802	3	Clutch shoe			
4	0000 997 5600	3	Tension spring			64.2005
5	1127 162 3000	3	Retainer			
6	* 1121 162 3000	3	Retainer			
7	* 1121 162 3205	1	Carrier			
8	1121 640 2005	1	Chain sprocket 0.325" 8T J			
9	1121 640 2000	1	Chain sprocket 0.325" 7T (1,2,3,5)			
10	1121 640 2001	1	Chain sprocket 0.325" 8T (B)			
11	9512 933 2260	1	Needle cage 10x13x10			
12	9512 003 2260	1	Needle cage 10x13x10 (B)			
13	0000 958 1022	1	Washer Ø 27 mm			
14	9460 624 0801	1	E-clip 8x1.3			
15	1121 792 9101	1	Hand guard			
16	1121 160 5000	1	Lever			
17	1121 162 5010	1	Lever			
18	0000 997 0628	1	Spring			
19	9460 624 0400	2	E-clip 4			
20	1121 160 5400	1	Brake band			
21	1121 160 5501	1	Tension spring	22		
22	1121 162 8000	1	Hose 12x1x20 mm			
23	1121 021 1102	1	Cover			
24	9022 313 0660	2	Spline screw IS- M4x12			
25	0000 790 6100	1	Screw assy. M4			
	1121 007 1001	1	Rim sprocket kit 0.325" 7T (B)	13, 14, 26, 27		
26	0000 642 1236	1	Rim sprocket 0.325" 7T (B) (4)			
27		1	Clutch drum (D)			
	1121 007 1002	1	Rim sprocket kit 0.325" 8T (B)	13, 14, 27, 28		
28	0000 642 1234	1	Rim sprocket 0.325" 8T (B)			

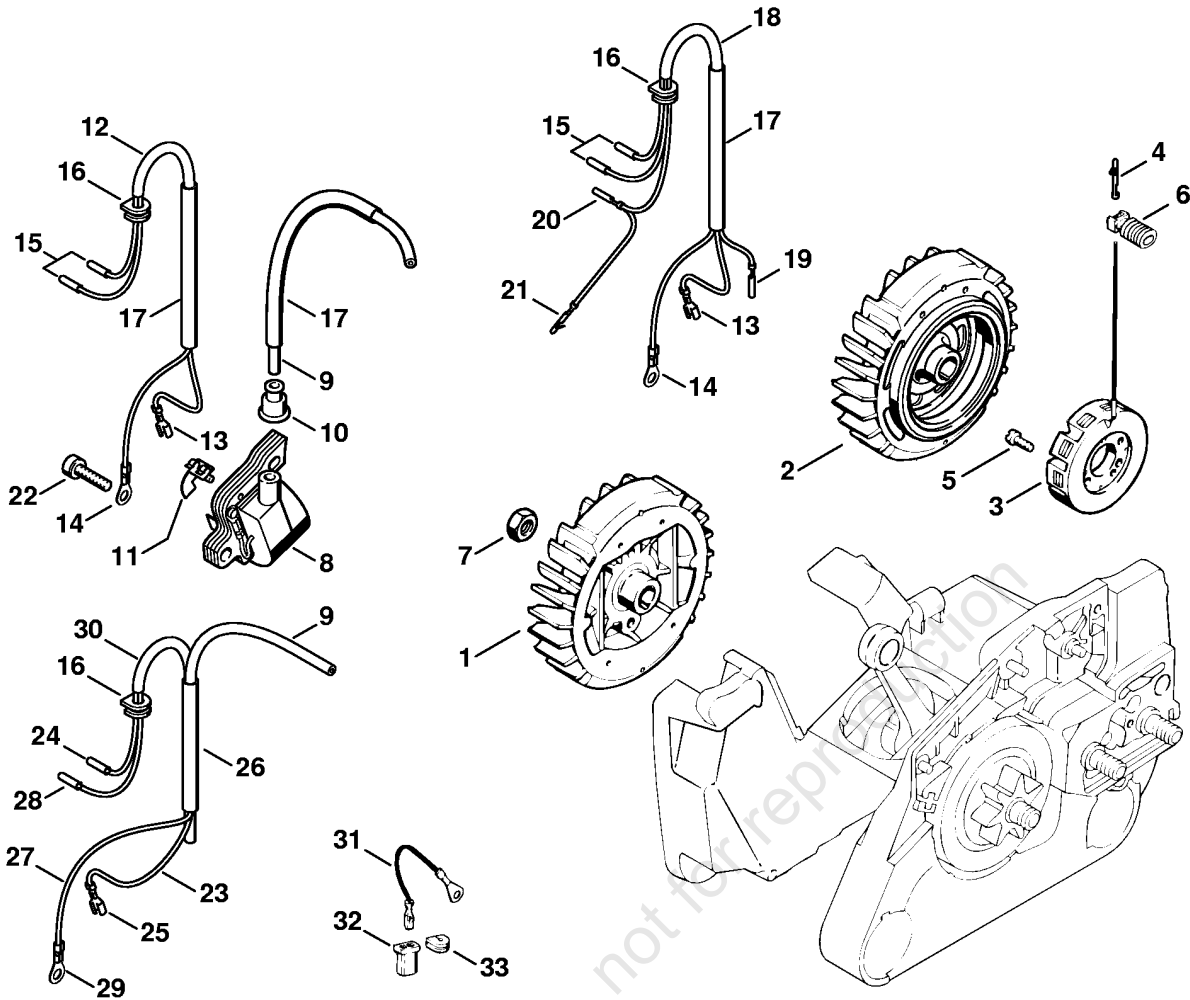
(1) 024, (2) 024 S, (3) 024 SW, (4) 024 SWVH, (5) 024 WB

## Clutch, Chain sprocket

Reference	Item number	Qty	Description	Contains	Up to	Technical Information
	1121 007 1004	1	Rim sprocket kit 3/8" Picco 7T (B)	13, 14, 27, 29		
29	0000 642 1240	1	Rim sprocket 3/8" Picco 7T (B)			
	1121 007 1005	1	Rim sprocket kit 3/8" Picco 8T (C)	13, 14, 27, 30		
30	0000 642 1241	1	Rim sprocket 3/8" Picco 8T (C)			
	1121 007 1035	1	Rim sprocket kit 3/8" 7T (B)	13, 14, 27, 31		
31	0000 642 1231	1	Rim sprocket 3/8" 7T (B)			
32	* 1121 162 1000	1	Cover washer		16569418	
33	0000 967 3630	1	Instruction label USA			

online version, not for reproduction

**Ignition system**



127ET077 SC

(1) 024, (2) 024 S, (3) 024 SW, (4) 024 SWVH, (5) 024 WB

## Ignition system

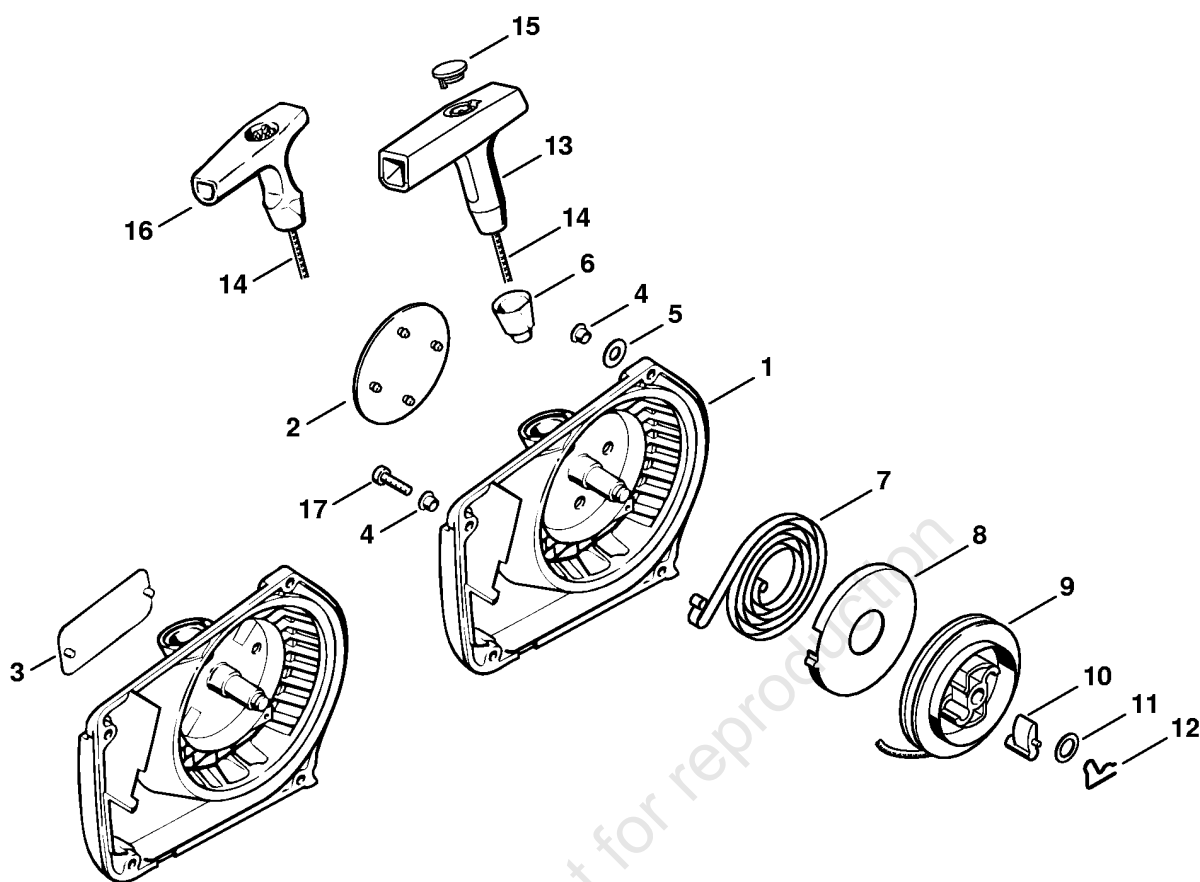
Reference	Item number	Qty	Description	Contains	Technical Information
1	1121 400 1200	1	Flywheel J (1,2,5)		25.2005
2	1121 400 1207	1	Flywheel (3,4)		25.2005
3	1128 404 3500	1	Generator (3,4)	4	
4	1118 431 6600	1	Terminal pin (C) (3,4)		
5	9041 216 0540	3	Pan head screw M3.5x12 (3,4)		
6	1121 405 1900	1	Support (3,4)		
7	9210 261 1140	1	Hexagon nut M8x1		
8	0000 400 1300	1	Ignition module	9 - 11	
9		1	Ignition lead 150 mm (D)		
	0000 405 0600	1	Ignition lead 1 m (A,B)		
	0000 930 2251	1	Ignition lead 10 m (A,B)		
10	0000 989 1010	1	Grommet		
11	0000 448 1250	1	Lead retainer		
12	1121 440 3002	1	Wiring harness (1,2,5)	13 - 17	
13	0751 030 8957	1	Terminal socket 4.8-1/0.8 (C)		
14	0751 030 8969	1	Terminal socket A5-1.5 (C)		
15	1110 442 7000	2	Contact sleeve (C)		
16	0000 989 0507	1	Grommet		
17	1125 442 0402	1	Insulating hose 90 mm / 3.5"		
18	1121 440 3003	1	Wiring harness (3,4)	13 - 17, 19 - 21	
19	1118 431 6700	1	Terminal socket (C) (3,4)		
20		1	Terminal socket (D) (3,4)		
21	1118 431 6600	1	Terminal pin (C) (3,4)		
22	9022 341 1019	2	Spline screw IS-M5x20		
23	* 1121 440 1103	1	Short circuit wire 305 mm / 12.1"	24, 25	
24	* 1119 442 7000	1	Contact sleeve (C)		
25	* 0751 030 8953	1	Terminal socket 4.8-1 (C)		
	* 1121 007 1033	1	Ground wire kit (1,2,3,5)	26 - 29	
26	* 1121 405 8001	1	Insulating hose 90 mm / 3.5"		
27	*	1	Lead 270 mm / 10.6" (D) (1,2,3,5)		
	* 0751 010 1110	1	Cable 10 m (A,B) (1,2,3,5)		
28	* 1110 442 7000	1	Contact sleeve (C) (1,2,3,5)		
29	* 0751 030 8969	1	Terminal socket A5-1.5		

(1) 024, (2) 024 S, (3) 024 SW, (4) 024 SWVH, (5) 024 WB

## Ignition system

Reference	Item number	Qty	Description	Contains	Technical Information
			(C) (1,2,3,5)		
30	* 1121 405 8000	1	Insulating hose 90 mm / 3.5" (1,2,3,5)		
31	* 1121 440 2202	1	Ground wire (4)	32	
32	* 0751 030 8466	1	Terminal socket housing (C) (4)		
33	* 4112 432 9202	1	Grommet (4)		

online version, not for reproduction



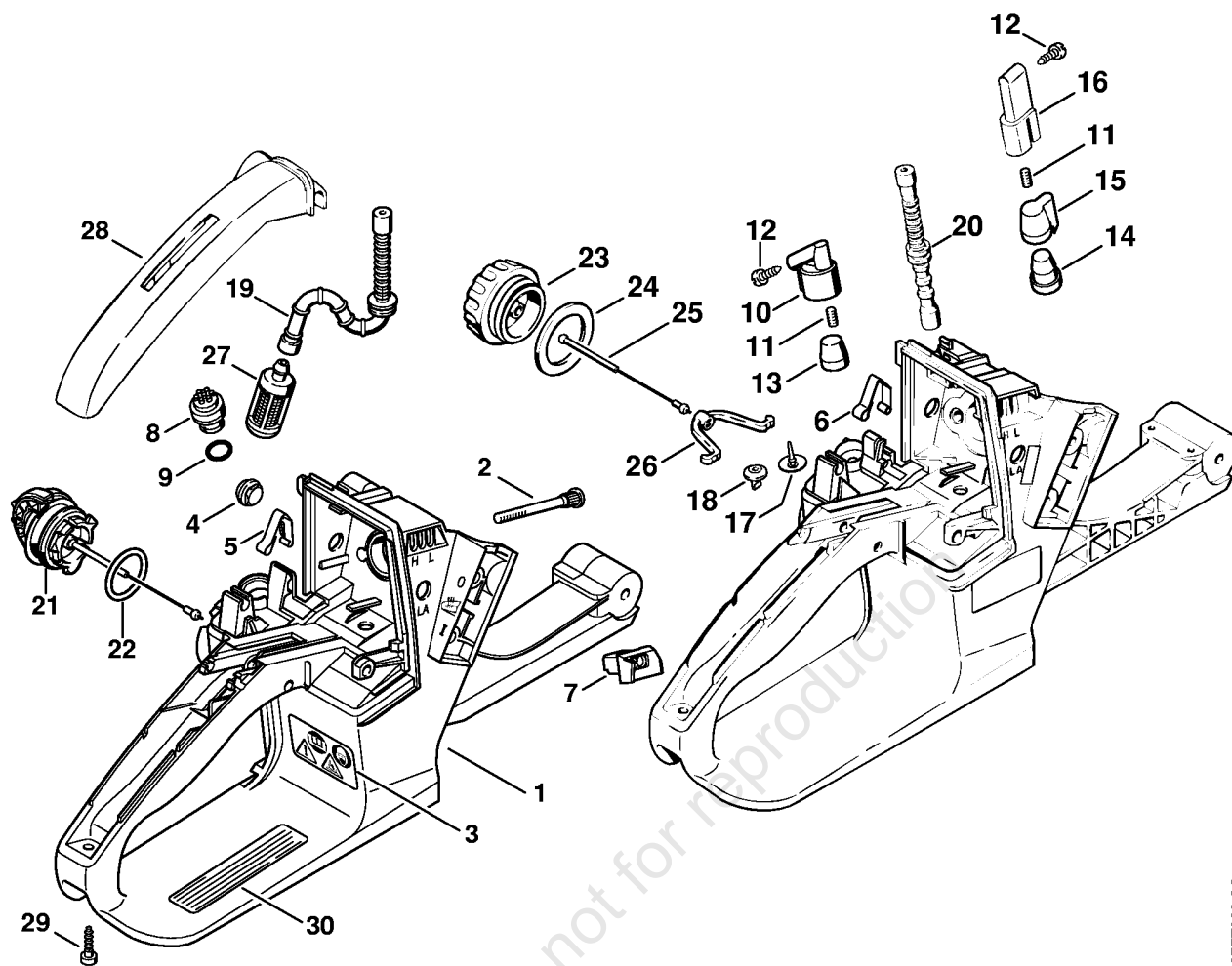
online version, not for reproduction

127ET078 SC



## Rewind starter

Reference	Item number	Qty	Description	Contains
	1121 080 2101	1	Fan housing with rewind starter	1 - 15
1	1121 080 1812	1	Fan housing	2, 4 - 6
2	0000 967 1500	1	Nameplate STIHL	
3	* 0000 967 2035	1	Nameplate STIHL	
4	9416 868 5630	4	Hollow rivet 5.5x0.5x6.8	
5	0000 958 0514	1	Washer	
6	1110 084 9102	1	Bushing	
7	1118 190 0600	1	Rewind spring	8
8	1118 195 0300	1	Spring housing	
9	1125 195 0401	1	Rope rotor	
	0000 930 2203	1	Starter rope Ø 3.5 mm x 30.5 m (A,B)	
	0000 930 2212	1	Starter rope Ø 3.5 mm x 60.8 m (A,B)	
10	1125 195 7200	1	Pawl	
11	0000 958 0923	1	Washer	
12	1118 195 3500	1	Spring	
13	0000 190 3401	1	Starter grip ElastoStart Ø 3.5 mm	14, 15
14	1113 195 8200	1	Starter rope Ø 3.5x960 mm	
15	0000 195 7001	1	Cap	
16	1121 195 3400	1	Starter grip	
17	9022 313 0680	3	Pan head screw IS M4x16	

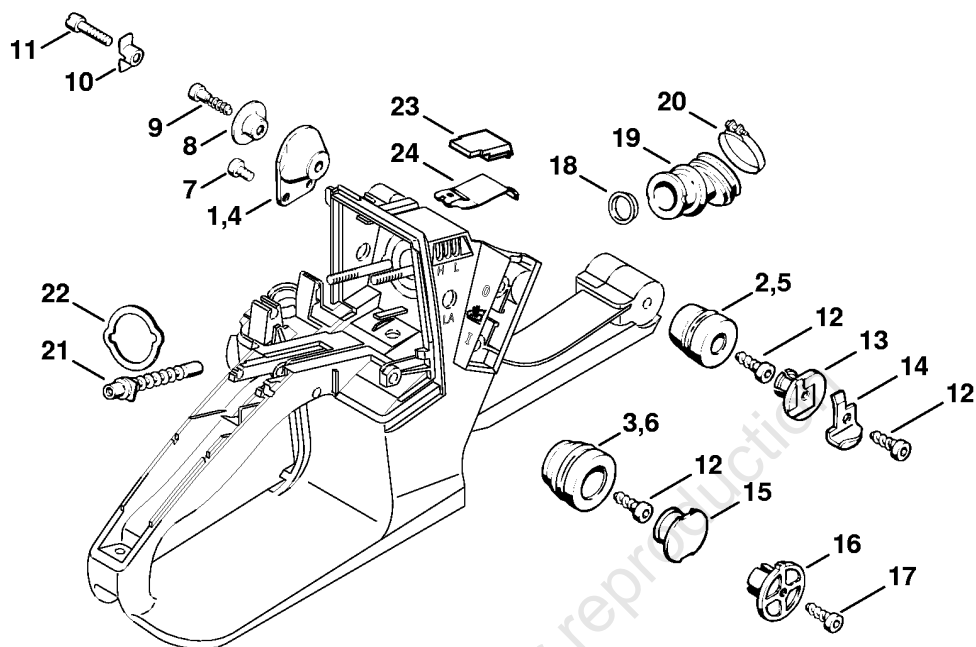


127ET082 SC

(1) 024, (2) 024 S, (3) 024 SW, (4) 024 SWVH, (5) 024 WB

## Tank housing

Reference	Item number	Qty	Description	Contains	Up to
1	1121 350 0829	1	Tank housing	2 - 5, 7 - 9, 19, 21, 22	
2	1121 122 6600	2	Collar screw		
3	0000 967 3662	1	Warning pictogram MS		
4	1121 791 2800	1	Stop buffer		
5	1125 442 1601	1	Contact spring		
6	* 1125 442 1600	1	Contact spring		148731425
7	1121 123 7501	1	Grommet		
8	0000 350 5800	1	Tank vent	9	
9		1	O-ring (D)		
10	* 1121 350 5802	1	Tank vent	11, 12	
11	* 1120 358 8105	1	Vent insert		
12	* 9099 021 2770	1	Self-tapping screw 3.9x13		
13	* 1122 358 1800	1	Filter		
14	* 1121 358 1800	1	Filter		
15	* 1121 358 2500	1	Cap		147102851
16	* 1121 350 5800	1	Tank vent	11, 12	31109513
17	* 1110 353 1600	1	Valve		
18	4114 353 1600	1	Valve		37167498
19	1121 358 7700	1	Hose		
20	* 1121 358 7705	1	Hose		37167498
21	0000 350 0533	1	Filler cap	22	
22	9645 948 7734	1	O-ring 25x3.5		
23	* 0000 350 0520	1	Filler cap	24 - 26	
24	* 0000 359 1220	1	Sealing ring		
25	* 0000 350 0900	1	Rope		
26	* 0000 353 0600	1	Hook		
27	0000 350 3518	1	Pickup body		
28	1121 791 0600	1	Handle molding		
29	9074 478 3076	1	Pan head self-tapping screw IS- P4x19		
30	0000 967 3500	1	Instruction label USA		



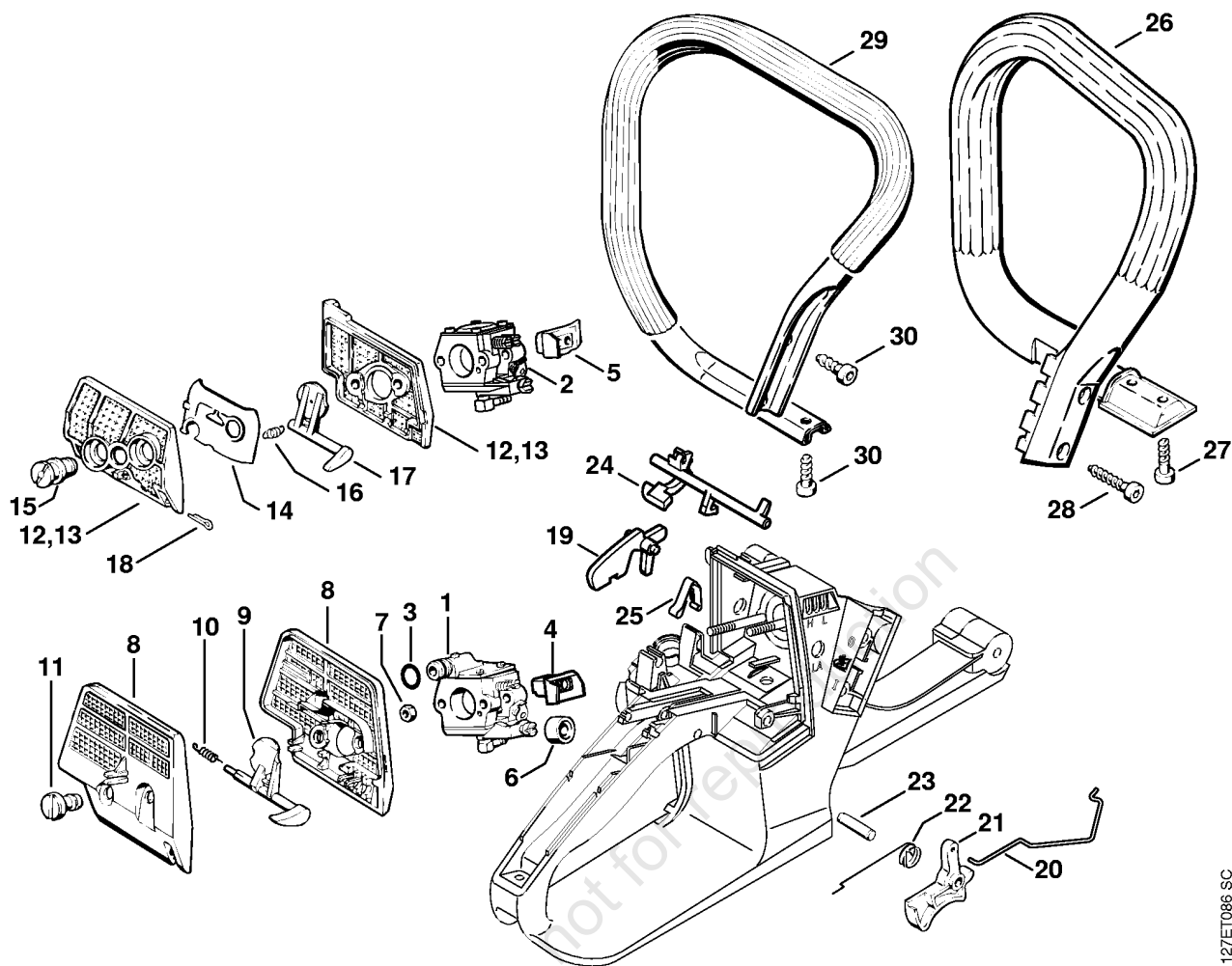
online version, not for reproduction

127ET066 SC

(1) 024, (2) 024 S, (3) 024 SW, (4) 024 SWVH, (5) 024 WB

## AV system

Reference	Item number	Qty	Description	Up to
		1	AV system normal:	
1	1121 790 9901	1	Annular buffer	
2	1121 790 9912	1	Annular buffer	
3	1121 790 9909	1	Annular buffer	
		1	AV system soft:	
4	1121 790 9902	1	Annular buffer	
5	1121 790 9903	1	Annular buffer	
6	1121 790 9904	1	Annular buffer	
7	9022 341 0960	2	Spline screw IS-M5x12	
8	1121 791 7202	1	Sleeve	
9	9074 478 4545	1	Pan head self-tapping screw IS-P6x26.5	
10	* 1121 791 1200	1	Retainer	31109513
11	* 1121 791 6105	1	Pan head screw	31109513
12	9074 478 4435	3	Pan head self-tapping screw IS-P6x19	
13	1119 791 7305	1	Plug	
14	1119 656 7705	1	Chain catcher	
15	1125 791 7306	1	Plug	
16	* 1118 791 7305	1	Plug	18641329
17	* 9074 478 4425	1	Pan head self-tapping screw IS-P6x19	18641329
18	1113 141 1805	1	Sleeve	
19	1121 141 2200	1	Manifold	
20	9771 021 2550	1	Hose clip Ø 32x5	
21	1113 141 8600	1	Impulse hose	
22	1121 121 8600	1	Washer	
23	* 1121 791 1400	1	Plug (B)	37167498
24	* 1121 791 1300	1	Sealing flap for electric carburetor heating (3)	37167498

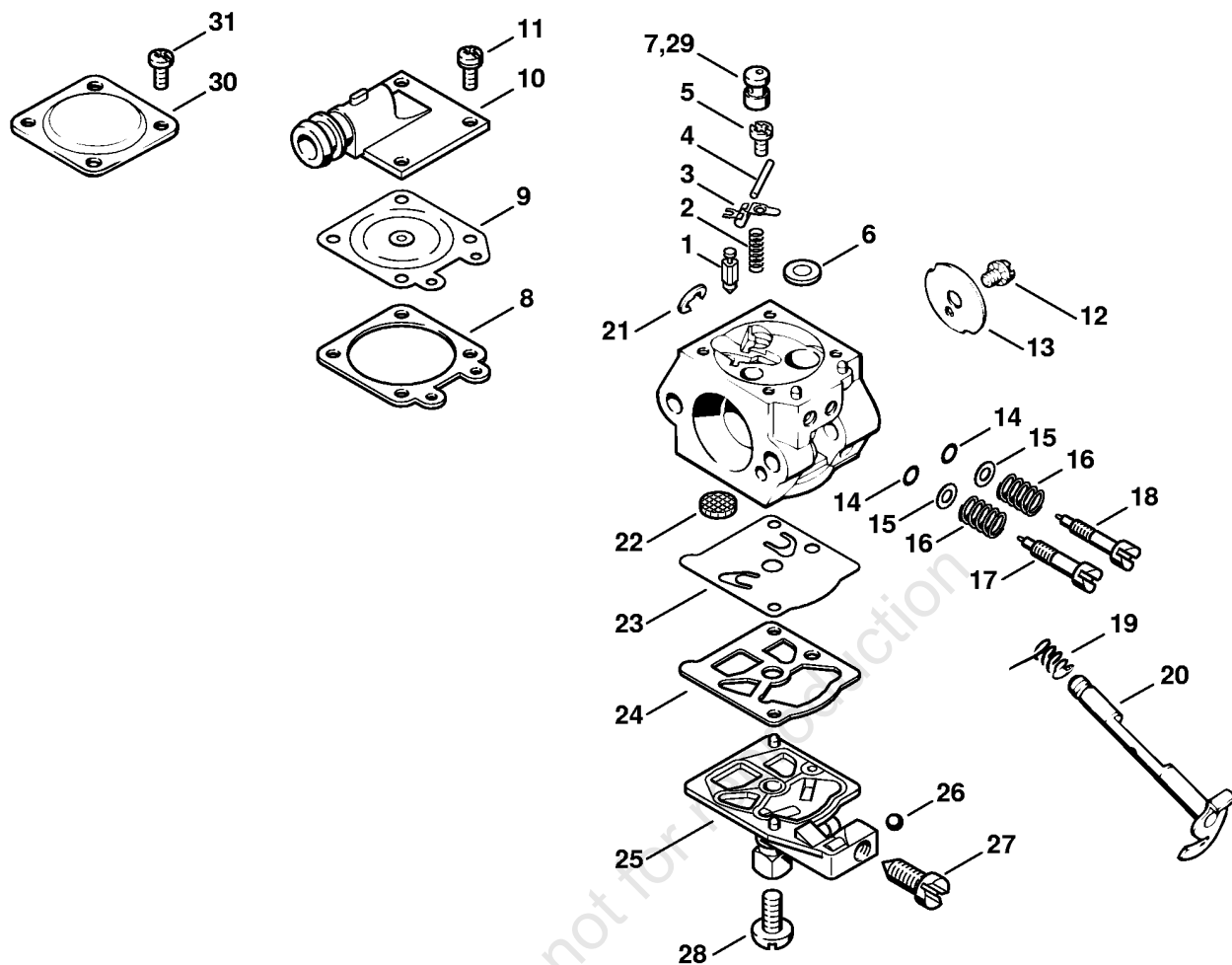


127ET086 SC

(1) 024, (2) 024 S, (3) 024 SW, (4) 024 SWVH, (5) 024 WB

## Air filter, Throttle control

Reference	Item number	Qty	Description	Contains	Up to
1	1121 120 0611	1	Carburetor WT-426B (1,2,3,5)		
2	1121 120 0604	1	Carburetor WT-110 (4)		
3	9645 945 7485	1	O-ring 7x2.5 (1,2,3,5)		
4	1121 123 7501	1	Grommet (1,2,3,5)		
5	1118 123 7500	1	Grommet (4)		
6	1121 122 7000	1	Grommet		
7	9210 260 0700	2	Hexagon nut M5		
8	1121 120 1617	1	Air filter (B)	9 - 11	
8	1121 120 1618	1	Air filter, fleece	9 - 11	
9	1121 120 2900	1	Choke shutter		
10	1121 124 3000	1	Torsion spring		
11	1124 141 8300	1	Slotted nut		
12	* 1121 120 1610	1	Air filter, wire mesh	14 - 18	146941698
13	* 1121 120 1625	1	Air filter, fleece (B)	14 - 18	146941698
14	* 1121 121 7001	1	Baffle		146941698
15	* 1121 141 8300	2	Slotted nut		146941698
16	* 0000 997 5505	1	Tension spring		146941698
17	* 1121 121 2900	1	Choke shutter		146941698
18	* 9395 825 1090	1	Split pin 2x10		146941698
19	1117 182 0805	1	Lockout lever		
20	1121 182 1501	1	Throttle rod		
21	1118 182 1006	1	Throttle trigger		
22	1117 182 4500	1	Torsion spring		
23	9371 470 2640	1	Cylindrical pin 5x24		
24	1125 182 0900	1	Switch shaft		
25	1125 442 1601	1	Contact spring		
26	1121 790 1701	1	Handlebar J (1,2,5)		
27	9074 478 4475	2	Pan head self-tapping screw IS-P6x21.5 J (1,2,5)		
28	9074 478 4675	2	Pan head self-tapping screw IS-P6x32.5 J (1,2,5)		
29	* 0000 791 2009	1	Handle hose Ø 19 mm x 5 m / 3/4x197" J (1,2,5)		
30	* 9074 478 4435	4	Pan head self-tapping screw IS-P6x19 (1,2,5)		



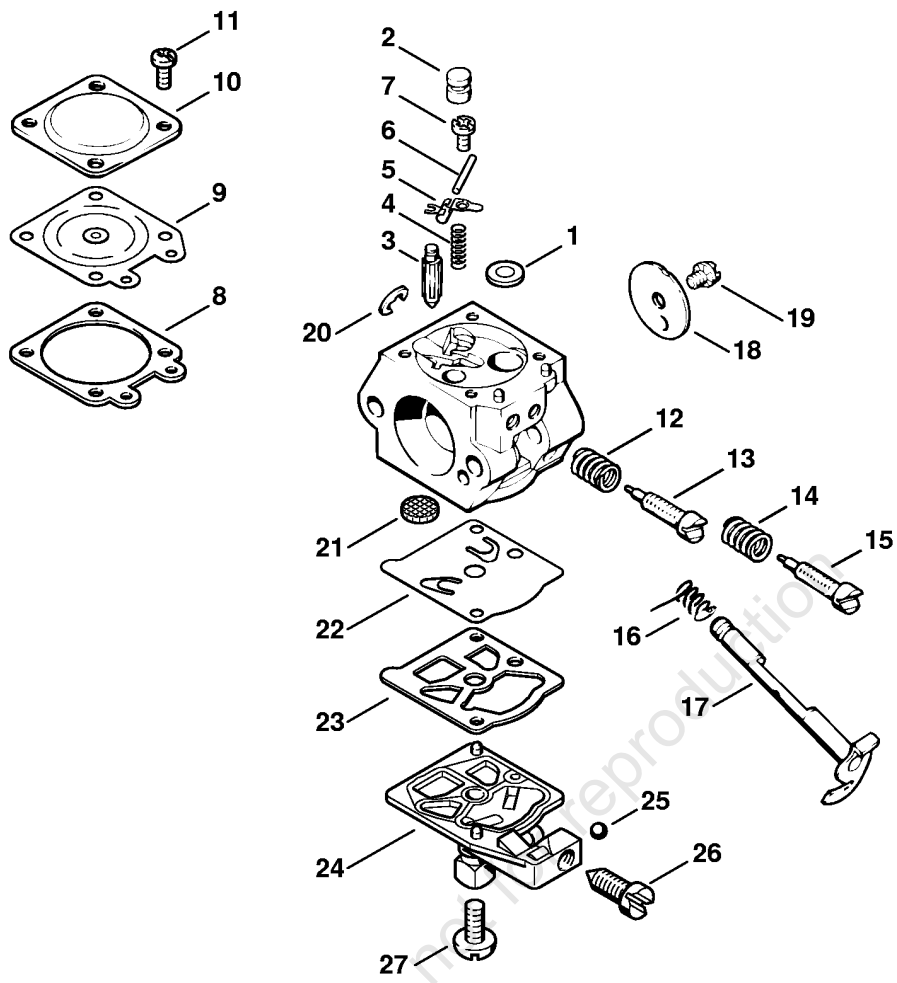
127ET075 SC

(1) 024, (2) 024 S, (3) 024 SW, (4) 024 SWVH, (5) 024 WB



## Carburetor WT-426

Reference	Item number	Qty	Description	Contains	Up to
	1121 120 0611	1	Carburetor WT-426B (1,2,3,5)	1 - 28	
1	4116 121 5100	1	Inlet needle (1,2,3,5)		
2	1114 122 3005	1	Spring (1,2,3,5)		
3	1113 121 5000	1	Inlet control lever (1,2,3,5)		
4	1113 121 9200	1	Spindle (1,2,3,5)		
5	1114 122 7400	1	Round head screw (1,2,3,5)		
6	4117 122 9402	1	Plug (1,2,3,5)		
7	1121 121 5400	1	Valve jet 0.48 (1,2,3,5)		
8	1120 129 0900	1	Gasket (1,2,3,5)		
9	1113 121 4705	1	Metering diaphragm (1,2,3,5)		
10	1121 121 0810	1	End cover (1,2,3,5)		
11	1121 122 7101	4	Screw (1,2,3,5)		
12	1110 122 7400	1	Round head screw (1,2,3,5)		
13	1121 121 3301	1	Throttle shutter (1,2,3,5)		
14	4130 122 3600	2	Sealing ring (1,2,3,5)		
15	4130 121 8601	2	Washer (1,2,3,5)		
16	1115 122 3002	2	Spring (1,2,3,5)		
17	1121 122 6700	1	High speed screw (1,2,3,5)		
18	1121 122 6802	1	Low speed screw (1,2,3,5)		
19	1113 122 3205	1	Torsion spring (1,2,3,5)		
20	1121 120 7105	1	Throttle shaft with lever (1,2,3,5)		
21	1117 122 9000	1	E-clip (1,2,3,5)		
22	1114 121 7800	1	Strainer (1,2,3,5)		
23	1121 121 4801	1	Pump diaphragm (1,2,3,5)		
24	1120 129 0905	1	Gasket (1,2,3,5)		
25	1121 121 0805	1	End cover (1,2,3,5)	26, 27	
26	1122 121 7700	1	Clamp (1,2,3,5)		
27	1121 122 6205	1	Idle speed screw (1,2,3,5)		
28	1114 122 7100	1	Screw (1,2,3,5)		
29	1121 121 5601	1	Fixed jet 0.46 (B) High altitude (1,2,3,5)		
	1121 007 1062	1	Set of carburetor parts (1,2,3,5)	1 - 3, 8, 9, 22 - 24	
30	* 1113 121 0800	1	End cover (1,2,3,5)		32252038
31	* 1106 122 7400	4	Round head screw (1,2,3,5)		32252038



127ET053 SC

(1) 024, (2) 024 S, (3) 024 SW, (4) 024 SWVH, (5) 024 WB

## Carburetor WT-110

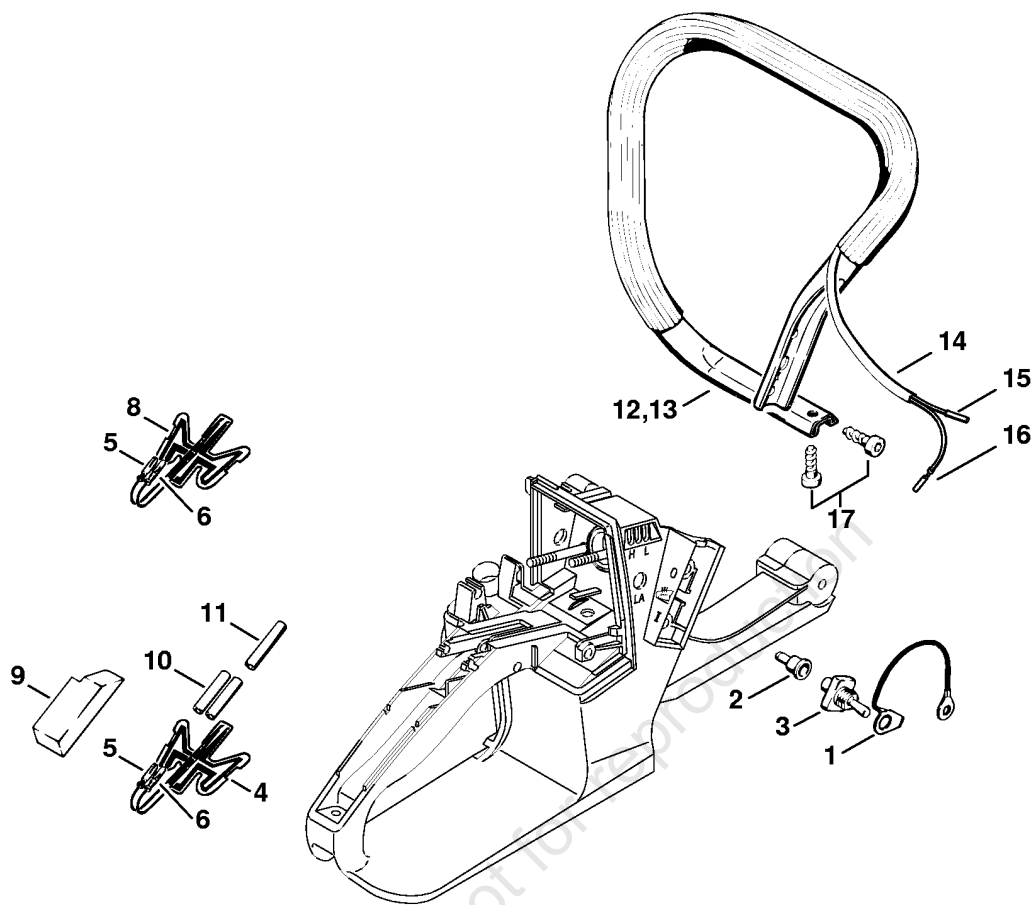
Reference	Item number	Qty	Description	Contains
	1121 120 0604	1	Carburetor WT-110 (4)	1 - 27
1	4117 122 9402	1	Plug (4)	
2	1120 121 5405	1	Valve jet (4)	
3	1110 121 5100	1	Inlet needle (4)	
4	1114 122 3005	1	Spring (4)	
5	1113 121 5000	1	Inlet control lever (4)	
6	1113 121 9200	1	Spindle (4)	
7	1114 122 7400	1	Round head screw (4)	
8	1120 129 0900	1	Gasket (4)	
9	1113 121 4705	1	Metering diaphragm (4)	
10	1113 121 0800	1	End cover (4)	
11	1106 122 7400	4	Round head screw (4)	
12	1110 122 3030	1	Spring (4)	
13	1118 122 6700	1	High speed screw (4)	
14	1106 122 3000	1	Spring (4)	
15	1120 122 6805	1	Low speed screw (4)	
16	1113 122 3205	1	Torsion spring (4)	
17	1121 120 7105	1	Throttle shaft with lever (4)	
18	1121 121 3300	1	Throttle shutter (4)	
19	1110 122 7400	1	Round head screw (4)	
20	1117 122 9000	1	E-clip (4)	
21	1114 121 7800	1	Strainer (4)	
22	1121 121 4801	1	Pump diaphragm (4)	
23	1120 129 0905	1	Gasket (4)	
24	1121 121 0805	1	End cover (4)	25, 26
25	1122 121 7700	1	Clamp (4)	
26	1121 122 6205	1	Idle speed screw (4)	
27	1114 122 7100	1	Screw (4)	
	1118 007 1066	1	Set of carburetor parts (4)	3 - 5, 8, 9, 21 - 23
	1120 007 1064	1	Set of carburetor parts WT (4)	8, 9, 23



## Chain sprocket cover, Shroud

Reference	Item number	Qty	Description	Contains	Up to
1	1125 640 1701	1	Chain sprocket cover	2, 3	
2	1121 648 6610	2	Bumper strip		
3	1125 656 1501	1	Guard		
4	* 1125 656 1500	1	Guard		19384234
5	* 1125 656 1505	1	Guard (B)		19384234
6	* 9099 021 1760	1	Self-tapping screw 2.9x9.5		19384234
7	* 1121 656 1500	1	Guard		15039261
8	* 9039 488 0340	1	Self-tapping screw M3x8		15039261
9	0000 955 0801	2	Hexagon nut M8		
	1121 007 1031	1	Set Bumper spike (B)	10 - 13	
10	1110 664 0501	1	Bumper spike		
11	9022 341 0960	2	Spline screw IS-M5x12		
12	9214 320 0700	1	Lock nut M5		
13	0000 953 6605	2	Collar screw M8		
14	* 1121 664 2400	1	Collar screw		20479847
15	* 1121 080 1609	1	Shroud	16, 17	
16	1119 084 8300	1	Reflector foil		
17	1122 084 7100	1	Cap		
18	1121 080 1600	1	Shroud (1,2,3,5)	16	146941698
19	1121 080 1602	1	Shroud Skand.	16, 20	
20	1121 084 1601	1	Cover Skand.		
21	1121 967 1514	1	Model plate 024		
22	* 1121 967 1511	1	Model plate 024 (1,2,3,5)		146941698
23	* 1121 967 1508	1	Model plate 024		
24	* 0000 974 1000	1	Round head rivet 3x6		
25	1121 084 7000	1	Slotted nut		
26	1121 084 6901	1	Insulator		
27	1121 084 7100	1	Cap		
	1121 007 1007	1	Air guide plate (B)	28 - 31	
28	1121 080 3000	1	Air guide plate (B)		
29		1	Cover plate (B,D)		
30	1121 084 7300	1	Hose (B)		
31	9022 341 0980	2	Spline screw IS-M5x16 (B)		

(1) 024, (2) 024 S, (3) 024 SW, (4) 024 SWVH, (5) 024 WB



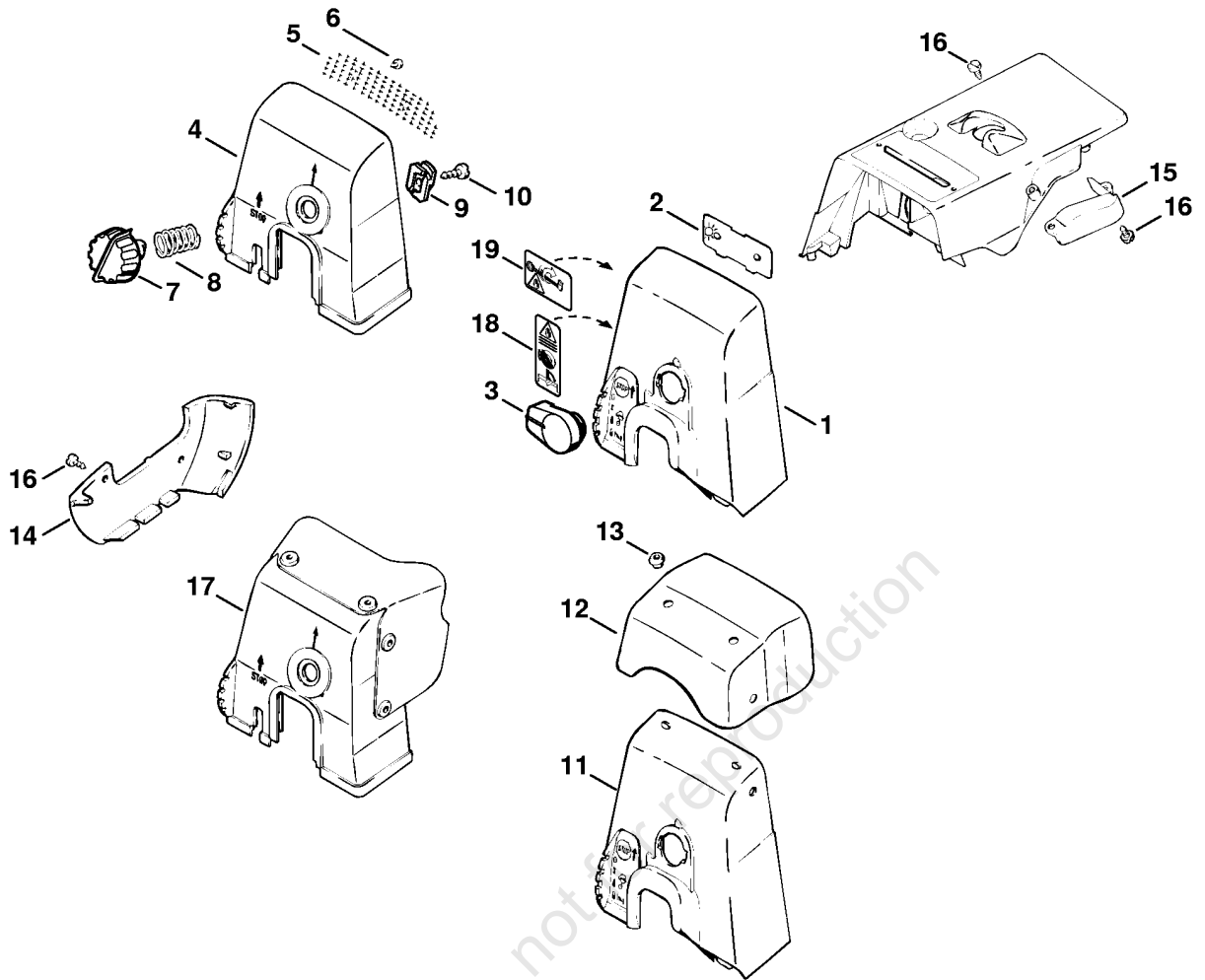
127ET073 SC

(1) 024, (2) 024 S, (3) 024 SW, (4) 024 SWVH, (5) 024 WB

## Heating

Reference	Item number	Qty	Description	Contains	Up to
1	1121 440 2201	1	Ground wire (3,4)		
2	1110 432 9200	1	Grommet (3,4)		
3	1110 430 0202	1	Stop switch (3,4)		
4	1128 434 5000	1	Heating element (3,4)	5, 6	
5	1118 431 6700	1	Terminal socket (C) (3,4)		
6	1118 431 6600	1	Terminal pin (C) (3,4)		
8	* 1125 434 5000	1	Heating element (3,4)	5, 6	33339217
9	1121 791 9000	1	Clamp (3,4)		
10	1121 442 0402	2	Insulating hose 35 mm / 1.4" (3,4)		
11	1121 442 0406	1	Insulating hose 40 mm / 1.6" (3,4)		
12	1121 790 1714	1	Handlebar (3,4)	14 - 16	
13	* 1121 790 1712	1	Handlebar (3,4)	14 - 16	
14	1121 442 0403	1	Insulating hose 130 mm / 5.1" (3,4)		
15	0000 442 7000	1	Contact sleeve (C) (3,4)		
16	1118 431 6700	1	Terminal socket (C) (3,4)		
17	9074 478 4435	4	Pan head self-tapping screw IS-P6x19 (3,4)		

**Carburetor box cover**

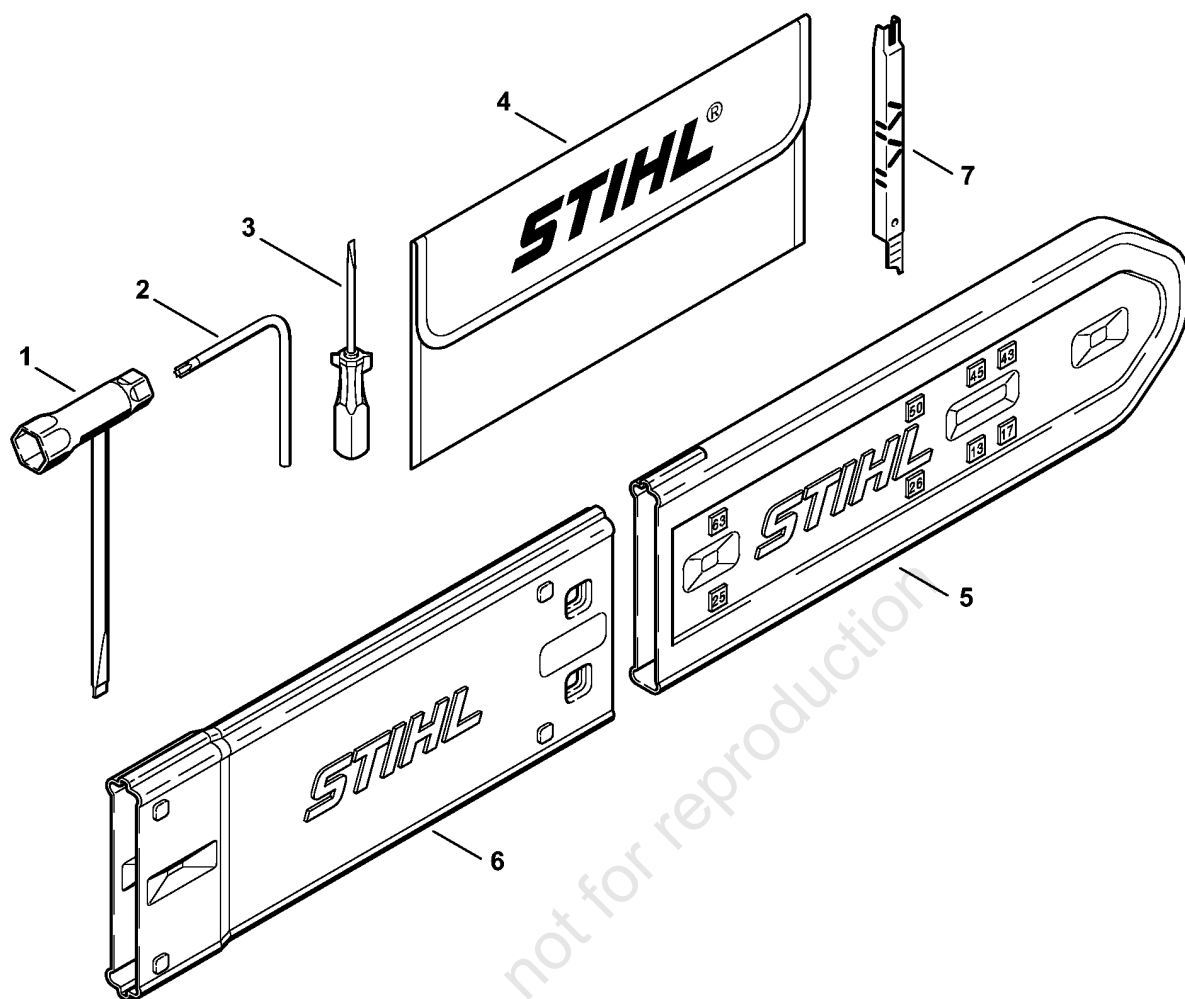


(1) 024, (2) 024 S, (3) 024 SW, (4) 024 SWVH, (5) 024 WB



## Carburetor box cover

Reference	Item number	Qty	Description	Contains	Up to
1	1121 140 1904	1	Carburetor box cover	2, 3	
2	1121 141 2900	1	Cover		
3	1130 141 2300	1	Twist lock		
4	* 1121 140 1901	1	Carburetor box cover (1,2,3,5)	5 - 10	146941698
5	* 1121 124 0810	1	Prefilter (1,2,3)		146941698
6	* 9099 021 0160	2	Self-tapping screw 2.2x6.5 (1,2,3)		146941698
7	* 1121 141 2300	1	Twist lock (1,2,3,5)		146941698
8	* 0000 997 1335	1	Compression spring (1,2,3,5)		146941698
9	* 1121 141 2100	1	Detent (1,2,3,5)		146941698
10	* 9074 478 3025	1	Pan head self-tapping screw IS-P4x16 (1,2,3,5)		146941698
	* 1121 007 1044	1	Intake air preheating kit (B)	2, 3, 11 - 16	
11	* 1121 140 1907	1	Carburetor box cover (B)	2, 3, 12, 13	
12	* 1121 141 2505	1	Cover (B)		
13	9438 929 4040	4	Blind rivet 5x8 (B)		
14	* 1121 084 8201	1	Cover plate (B)		
15	1121 084 1700	1	Air guide (B)		
16	9099 021 2360	4	Self-tapping screw 3.5x9.5 (B)		
	* 1121 007 1030	1	Intake air preheating kit (B)	7 - 10, 13, 14, 16, 17	146941698
17	* 1121 140 1905	1	Carburetor box cover (B)	7 - 10, 13	146941698
18	0000 967 3605	1	Warning pictogram Filler cap USA		
19	* 0000 967 3692	1	Warning pictogram Filler cap USA		



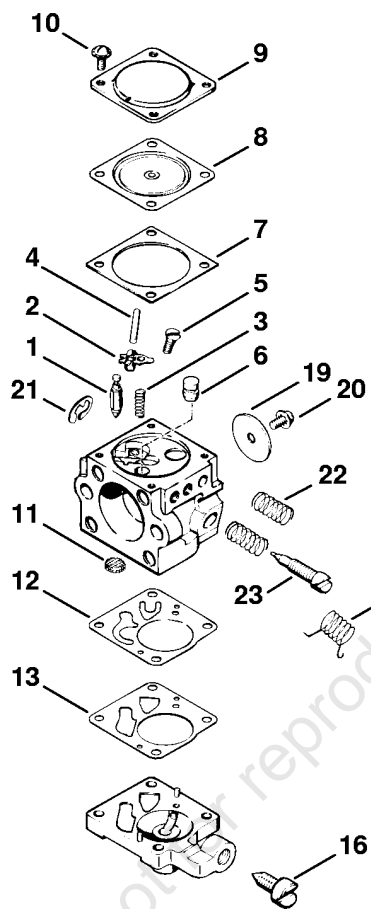
online version, not for reproduction

1121-GET-0002-A0

**Tools, Extras**

Reference	Item number	Qty	Description	Contains
	1121 890 1400	1	Tool kit	1 - 4
1	1129 890 3401	1	Combination wrench	
2	0812 370 1000	1	Screwdriver T27x120x70	
3	0000 890 2300	1	Screwdriver	
4	0000 891 0810	1	Tool roll	
5	0000 792 9129	1	Chain scabbard	
6	0000 792 9132	1	Chain scabbard extension up to 63 cm (B,C)	
7	1110 893 4000	1	Filing gauge (B)	
	1121 007 1042	1	Mounting kit catalytic converter (A,B)	

online version, not for reproduction



online version, not for reproduction

127ET074 SC

(1) 024, (2) 024 S, (3) 024 SW, (4) 024 SWVH, (5) 024 WB

## Carburetor HU-54 (40.88)

Reference	Item number	Qty	Description	Contains
	*	1	Carburetor HU-54F	
1	* 4116 121 5100	1	Inlet needle	
2	* 1113 121 5000	1	Inlet control lever	
3	* 1113 122 3000	1	Spring	
4	* 1113 121 9200	1	Spindle	
5	* 1110 122 7800	1	Oval head screw	
6	* 1113 121 5400	1	Valve jet	
7	* 1113 129 0900	1	Gasket	
8	* 1113 121 4700	1	Metering diaphragm	
9	* 1113 121 0800	1	End cover	
10	* 1106 122 7400	4	Round head screw	
11	* 4221 121 7800	1	Strainer	
12	* 1121 121 4800	1	Pump diaphragm	
13	* 1113 129 0910	1	Gasket	
16	* 1121 122 6200	1	Idle speed screw	
17	* 1121 122 3200	1	Torsion spring	
19	* 1121 121 3305	1	Throttle shutter	
20	* 1110 122 7400	1	Round head screw	
21	* 1110 122 9005	1	E-clip	
22	* 1106 122 3000	2	Spring	
23	* 1113 122 6700	1	High speed screw	
	* 1118 007 1065	1	Set of carburetor parts HU-54F	1 - 3, 7, 8, 11 - 13