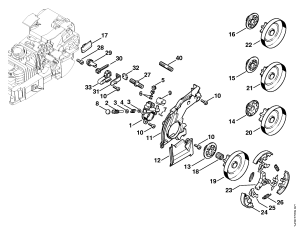
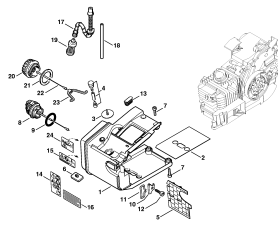


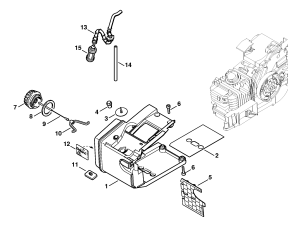
Crankcase



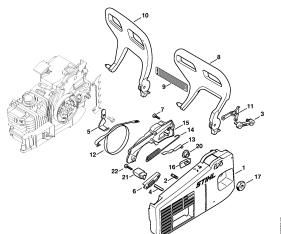
Oil pump, Clutch



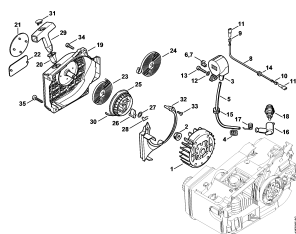
Tank housing 020 T



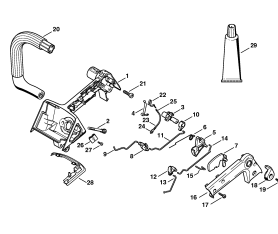
Tank housing 020



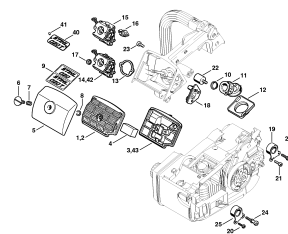
Chain sprocket cover



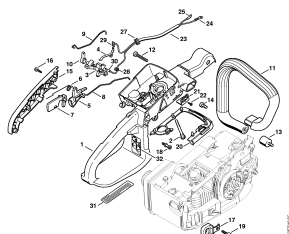
Rewind starter



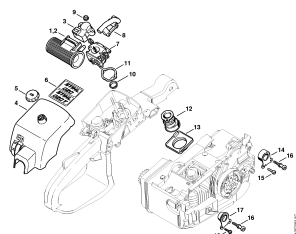
Handle housing 020 T



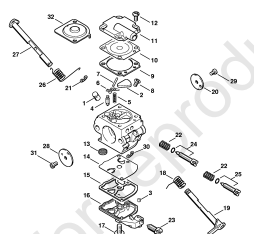
Air filter 020 T



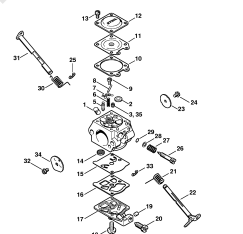
Handle housing 020



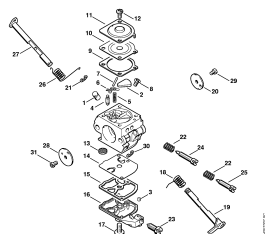
Air filter 020



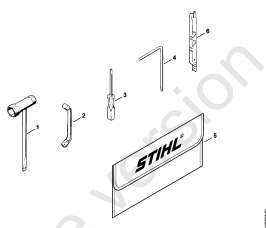
Carburetor C1Q-S32



Carburetor WT-326



Carburetor C1Q-S16 020 T  
(17.1999)



Tools, Extras

**020 T, 020****Description**

Crankcase

Oil pump, Clutch

Tank housing 020 T

Tank housing 020

Chain sprocket cover

Rewind starter

Handle housing 020 T

Air filter 020 T

Handle housing 020

Air filter 020

Carburetor C1Q-S32

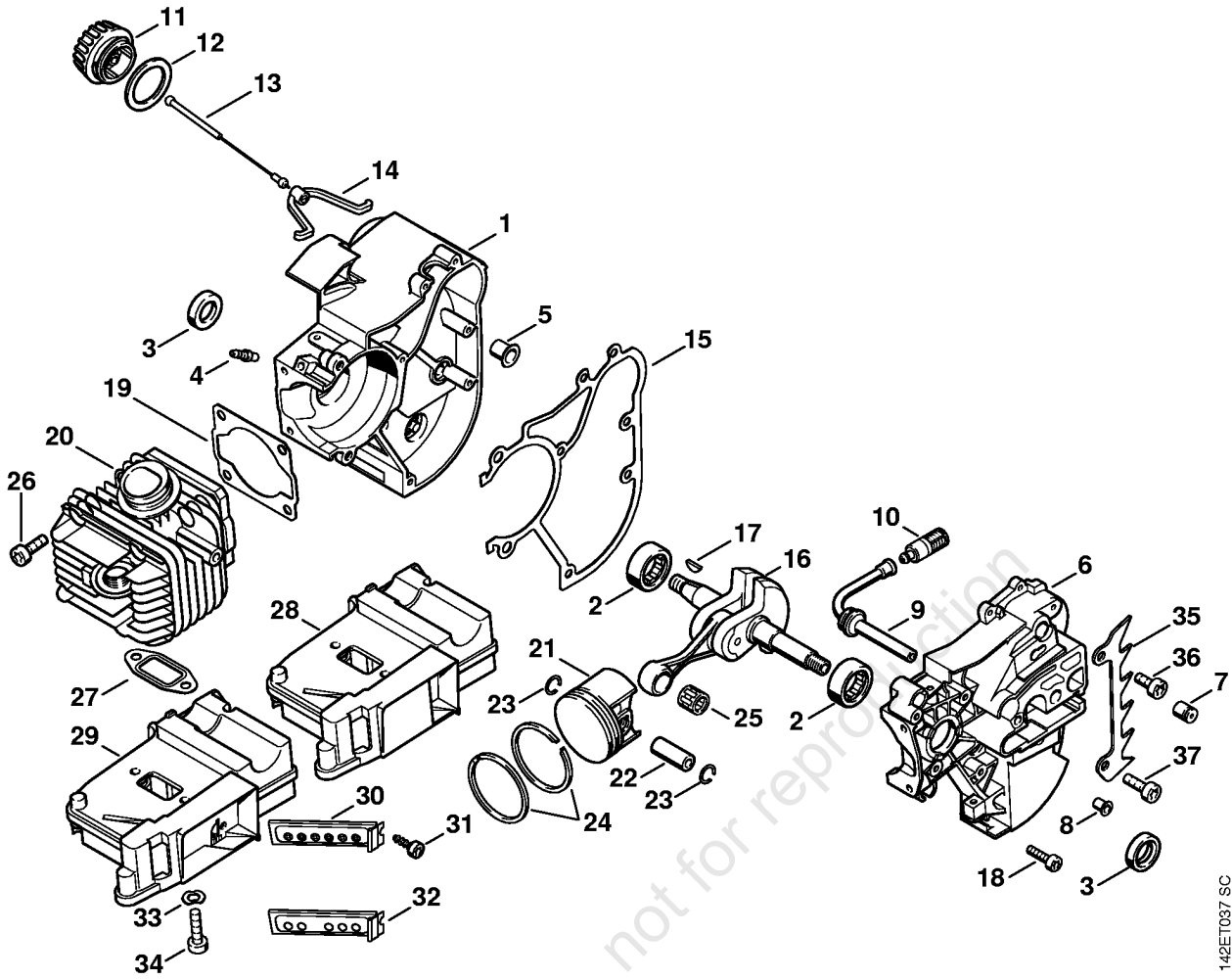
Carburetor WT-326

Carburetor C1Q-S16 020 T (17.1999)

Tools, Extras

online version, not for reproduction

**Crankcase**



142ET037 SC

(1) 020, (2) 020 T

## Crankcase

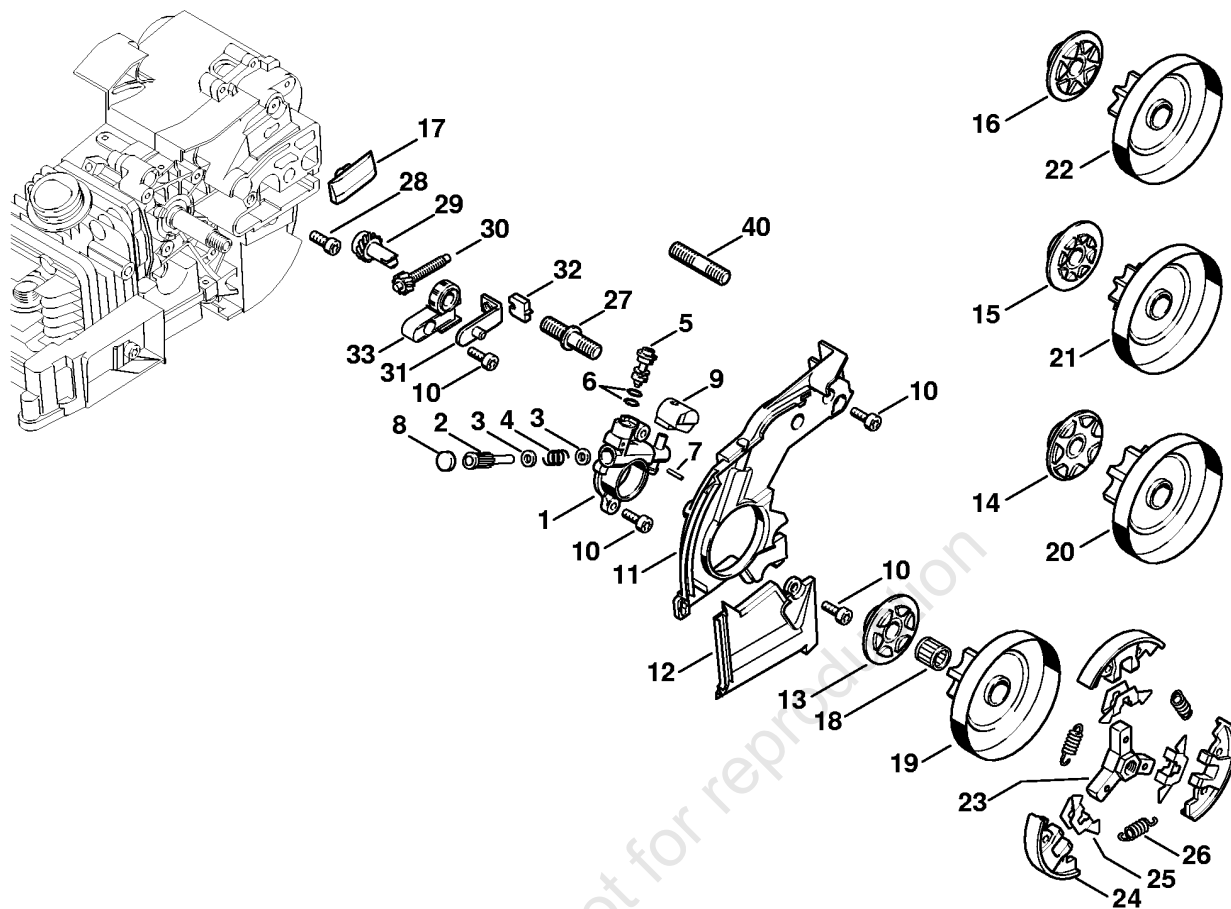
| Reference | Item number     | Qty | Description                          | Contains   | Technical Information |
|-----------|-----------------|-----|--------------------------------------|------------|-----------------------|
| 1         | 1129 020 2600   | 1   | Crankcase                            | 2 - 5      |                       |
| 2         | 9531 003 0105   | 2   | Roller bearing<br>12x24.5x8.8        |            |                       |
| 3         | 9640 003 1191   | 2   | Oil seal 12x20x5                     |            |                       |
| 4         | 0000 988 5211   | 1   | Connector                            |            |                       |
| 5         | 1129 792 5500   | 1   | Bushing                              |            |                       |
| 6         | 1129 020 2900   | 1   | Crankcase                            | 2, 3, 7, 8 |                       |
| 7         | 1128 640 9100   | 1   | Valve                                |            |                       |
| 8         | 9416 868 5631   | 2   | Hollow rivet 5.5x0.5x6.8             |            |                       |
| 9         | 1129 647 9400   | 1   | Hose                                 |            |                       |
| 10        | 1123 640 3800   | 1   | Pickup body                          |            |                       |
| 11        | 0000 350 0510   | 1   | Filler cap                           | 12 - 14    |                       |
| 12        | 0000 359 1210   | 1   | Sealing ring                         |            |                       |
| 13        | 0000 350 0900   | 1   | Rope                                 |            |                       |
| 14        | 0000 353 0600   | 1   | Hook                                 |            |                       |
| 15        | 1129 029 0500   | 1   | Gasket                               |            |                       |
| 16        | 1129 030 0400   | 1   | Crankshaft                           | 17         | 25.2005               |
| 17        | 1120 036 8500   | 1   | Woodruff key 2x3.7                   |            |                       |
| 18        | 9022 313 0680   | 8   | Pan head screw IS M4x16              |            |                       |
| 19        | 1129 029 2300   | 1   | Cylinder gasket                      |            |                       |
| 20        | 1129 020 1201   | 1   | Cylinder with piston Ø 40 mm         | 21 - 24    |                       |
| 21        | 1129 030 2002   | 1   | Piston Ø 40 mm                       | 22 - 24    |                       |
| 22        | 1120 034 1501   | 1   | Piston pin 9x5x23                    |            |                       |
| 23        | 9463 650 0900   | 2   | Snap ring 9x0.8                      |            |                       |
| 24        | 1114 034 3001   | 2   | Piston ring Ø 40x1.5 mm              |            |                       |
| 25        | 9512 003 2030   | 1   | Needle cage 9x12x10                  |            |                       |
| 26        | 9022 341 0980   | 4   | Spline screw IS-M5x16                |            |                       |
| 27        | 1129 149 0600   | 1   | Muffler gasket                       |            |                       |
| 28        | 1129 140 0602   | 1   | Muffler                              |            |                       |
| 29        | 1129 140 0601   | 1   | Muffler USA, AUS, CDN                | 30, 31     |                       |
| 30        | 1129 140 2000   | 1   | Insert USA, AUS, CDN                 |            |                       |
| 31        | 9075 478 3015   | 1   | Pan head self-tapping screw IS-D4x15 |            |                       |
| 32        | * 1129 145 1000 | 1   | Insert Standard                      |            |                       |
| 33        | 9331 630 0120   | 2   | Conical spring washer 5              |            |                       |
| 34        | 9022 371 1020   | 2   | Spline screw IS-M5x20                |            |                       |
| 35        | 1129 664 0500   | 1   | Bumper spike                         |            |                       |
| 36        | 9022 341 0960   | 1   | Spline screw IS-M5x12                |            |                       |

(1) 020, (2) 020 T

**Crankcase**

| Reference | Item number   | Qty | Description           | Contains      | Technical Information |
|-----------|---------------|-----|-----------------------|---------------|-----------------------|
| 37        | 9022 341 0980 | 1   | Spline screw IS-M5x16 |               |                       |
|           | 1129 007 1050 | 1   | Set of gaskets        | 3, 15, 19, 27 |                       |

online version, not for reproduction



online version, not for reproduction

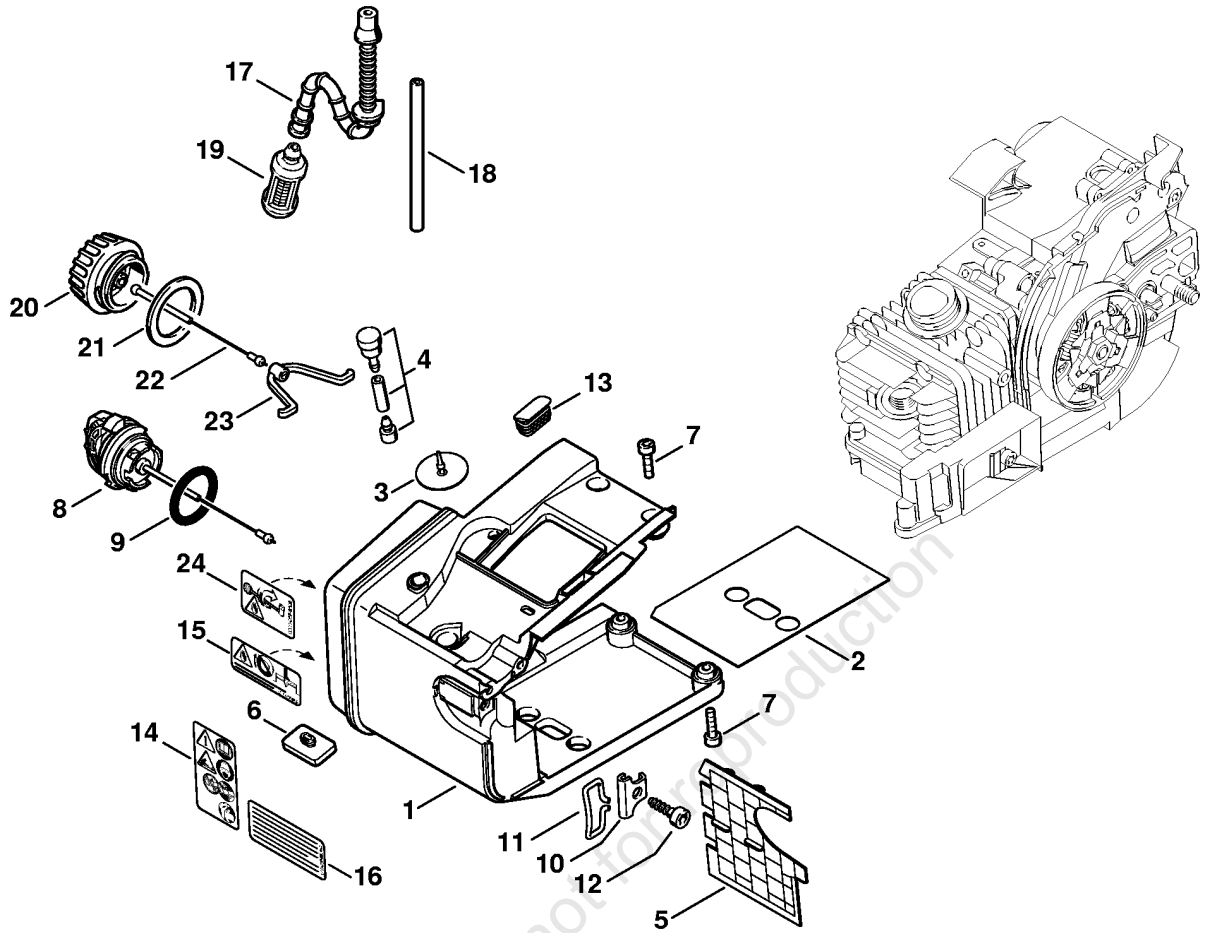
142ET029 SC

## Oil pump, Clutch

| Reference | Item number     | Qty | Description   | Contains |
|-----------|-----------------|-----|---|----------|
|           | 1129 640 3200   | 1   | Oil pump  | 1 - 9    |
| 1         | 1129 640 3000   | 1   | Pump housing  |          |
| 2         | 1129 647 0600   | 1   | Pump piston   |          |
| 3         | 0000 958 0407   | 2   | Washer  |          |
| 4         | 0000 997 0617   | 1   | Compression spring                                  |          |
| 5         | 1128 647 4806   | 1   | Control bolt  |          |
| 6         | 9646 945 0160   | 2   | O-ring 4x2  |          |
| 7         | 9380 620 1090   | 1   | Roll pin 2x10                                       |          |
| 8         | 1129 647 7000   | 1   | Plug  |          |
| 9         | 1129 647 5701   | 1   | Connector   |          |
| 10        | 9022 313 0660   | 6   | Spline screw IS-M4x12                               |          |
|           | 1129 020 1150   | 1   | Cover   | 11, 12   |
| 11        |                 | 1   | Cover (D)   |          |
| 12        |                 | 1   | Cover (D)   |          |
| 13        | 1129 640 7100   | 1   | Worm 3/8" Picco 6T                                  |          |
| 14        | 1129 640 7101   | 1   | Worm gear 3/8" Picco 7T                             |          |
| 15        | 1129 640 7102   | 1   | Worm 1/4" 8T not for USA                            |          |
| 16        | 1129 640 7105   | 1   | Worm gear 0.325" 7T not for USA (1)                 |          |
| 17        | 1123 648 6600   | 2   | Bumper strip  |          |
| 18        | 9512 933 2270   | 1   | Needle cage 10x13x13                                |          |
| 19        | 1129 640 2000   | 1   | Chain sprocket 3/8" Picco 6T                        |          |
| 20        | 1129 640 2050   | 1   | Set of spur sprocket/worm 3/8" Picco 7T             | 14       |
| 21        | 1129 640 2051   | 1   | Set of spur sprocket/worm 1/4" 8T not for USA       | 15       |
|           | 1129 640 2052   | 1   | Set of spur sprocket/worm 0.325" 7T not for USA (1) | 16, 22   |
| 22        | 1129 640 2004   | 1   | Chain sprocket 0.325" 7T not for USA (1)            |          |
| 23        | 1129 160 2000   | 1   | Clutch  | 24 - 26  |
| 24        | 1129 162 0800   | 3   | Clutch shoe   |          |
| 25        | 1121 162 3000   | 3   | Retainer  |          |
| 26        | 0000 997 5515   | 3   | Tension spring                                      |          |
| 27        | 1129 664 2401   | 1   | Collar screw M8                                     |          |
| 28        | 1129 664 2400   | 1   | Collar screw  |          |
|           | 1129 007 1000   | 1   | Spur gear / chain adjusting screw kit               | 29, 30   |
| 29        |                 | 1   | Spur gear (D)                                       |          |
| 30        |                 | 1   | Adjusting screw (D)                                 |          |
| 31        | 1129 640 1900   | 1   | Tensioner slide                                     |          |
| 32        | 1123 664 1400   | 1   | Thrust pad  |          |
| 33        | 1123 664 2200   | 1   | Cover   |          |
| 40        | * 0000 953 1402 | 1   | Stud M8   |          |

(1) 020, (2) 020 T

**Tank housing 020 T**



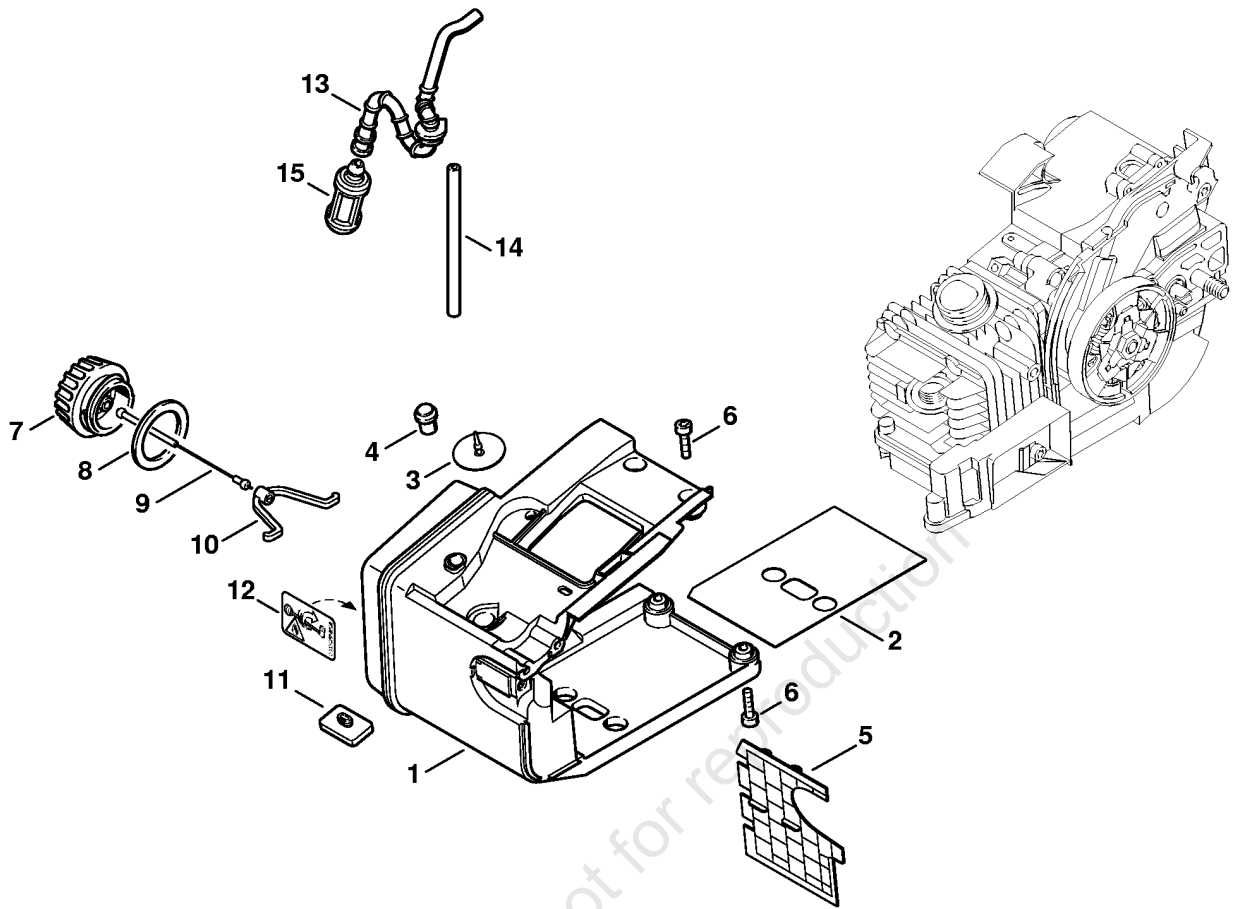
142ET050 SC



## Tank housing 020 T

| Reference | Item number     | Qty | Description                               | Contains            |
|-----------|-----------------|-----|---|---------------------|
| 1         | 1129 350 0853   | 1   | Tank housing (2)                          | 2 - 6, 8, 9, 13, 14 |
| 2         | 1129 351 3000   | 1   | Reflector foil (2)                        |                     |
| 3         | 1110 353 1600   | 1   | Valve (2)                                 |                     |
| 4         | 1129 350 5850   | 1   | Tank vent (2)                             |                     |
| 5         | 1129 351 4000   | 1   | Insulating plate (2)                      |                     |
| 6         | 1129 352 5500   | 1   | Clamp (2)                                 |                     |
| 7         | 9022 313 0680   | 4   | Pan head screw IS M4x16 (2)               |                     |
| 8         | 0000 350 0533   | 1   | Filler cap (2)                            | 9                   |
| 9         | 9645 948 7734   | 1   | O-ring 25x3.5 (2)                         |                     |
| 10        | 1129 352 7700   | 1   | Bracket (2)                               |                     |
| 11        | 1129 352 5000   | 1   | Loop (2)                                  |                     |
| 12        | 9074 478 4435   | 1   | Pan head self-tapping screw IS-P6x19 (2)  |                     |
| 13        | 1129 353 6500   | 1   | Plug (2)                                  |                     |
| 14        | 0000 967 7257   | 1   | Instruction label (2)                     |                     |
| 15        | 0000 967 3749   | 1   | Warning pictogram Filler cap USA, CDN (2) |                     |
| 16        | 0000 967 3501   | 1   | Instruction label USA (2)                 |                     |
| 17        | 1129 358 7705   | 1   | Hose (2)                                  |                     |
|           |                 | 1   | Hose 3.1x5.7x102 mm, R3 (D) (2)           |                     |
| 18        | 0000 930 2803   | 1   | Hose 3.1x5.7 mm x 1 m, R3 (A,B) (2)       |                     |
| 19        | 0000 350 3518   | 1   | Pickup body (2)                           |                     |
| 20        | * 0000 350 0520 | 1   | Filler cap (2)                            | 21 - 23             |
| 21        | * 0000 359 1220 | 1   | Sealing ring (2)                          |                     |
| 22        | * 0000 350 0900 | 1   | Rope (2)                                  |                     |
| 23        | * 0000 353 0600 | 1   | Hook (2)                                  |                     |
| 24        | * 0000 967 3692 | 1   | Warning pictogram Filler cap USA, CDN (2) |                     |
|           | 1129 007 1050   | 1   | Set of gaskets (2)                        | 2                   |

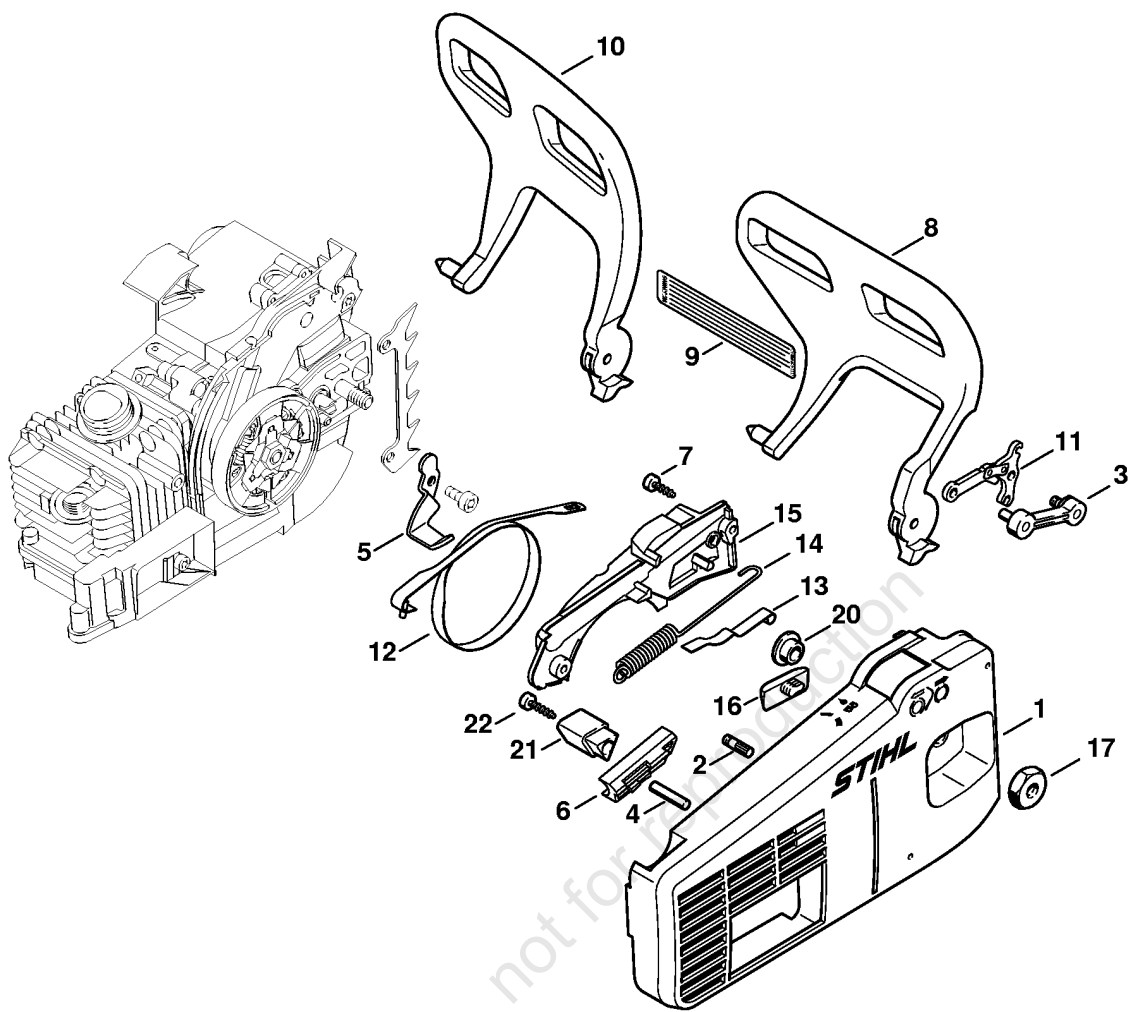
**Tank housing 020**



142ET051 SC

## Tank housing 020

| Reference | Item number   | Qty | Description                               | Contains      |
|-----------|---------------|-----|---|---------------|
| 1         | 1129 350 0850 | 1   | Tank housing (1)                          | 2 - 5, 11, 13 |
| 2         | 1129 351 3000 | 1   | Reflector foil (1)                        |               |
| 3         | 1110 353 1600 | 1   | Valve (1)                                 |               |
| 4         | 1129 353 2000 | 1   | Filter (1)                                |               |
| 5         | 1129 351 4000 | 1   | Insulating plate (1)                      |               |
| 6         | 9022 313 0680 | 4   | Pan head screw IS M4x16 (1)               |               |
| 7         | 0000 350 0520 | 1   | Filler cap (1)                            | 8 - 10        |
| 8         | 0000 359 1220 | 1   | Sealing ring (1)                          |               |
| 9         | 0000 350 0900 | 1   | Rope (1)                                  |               |
| 10        | 0000 353 0600 | 1   | Hook (1)                                  |               |
| 11        | 1129 352 5500 | 1   | Clamp (1)                                 |               |
| 12        | 0000 967 3692 | 1   | Warning pictogram Filler cap USA, CDN (1) |               |
| 13        | 1129 358 7701 | 1   | Hose (1)                                  |               |
| 14        |               | 1   | Hose 3.1x5.7x102 mm, R3 (D) (1)           |               |
|           | 0000 930 2803 | 1   | Hose 3.1x5.7 mm x 1 m, R3 (A,B) (1)       |               |
| 15        | 0000 350 3500 | 1   | Pickup body (1)                           |               |
|           | 1129 007 1050 | 1   | Set of gaskets (1)                        | 2             |



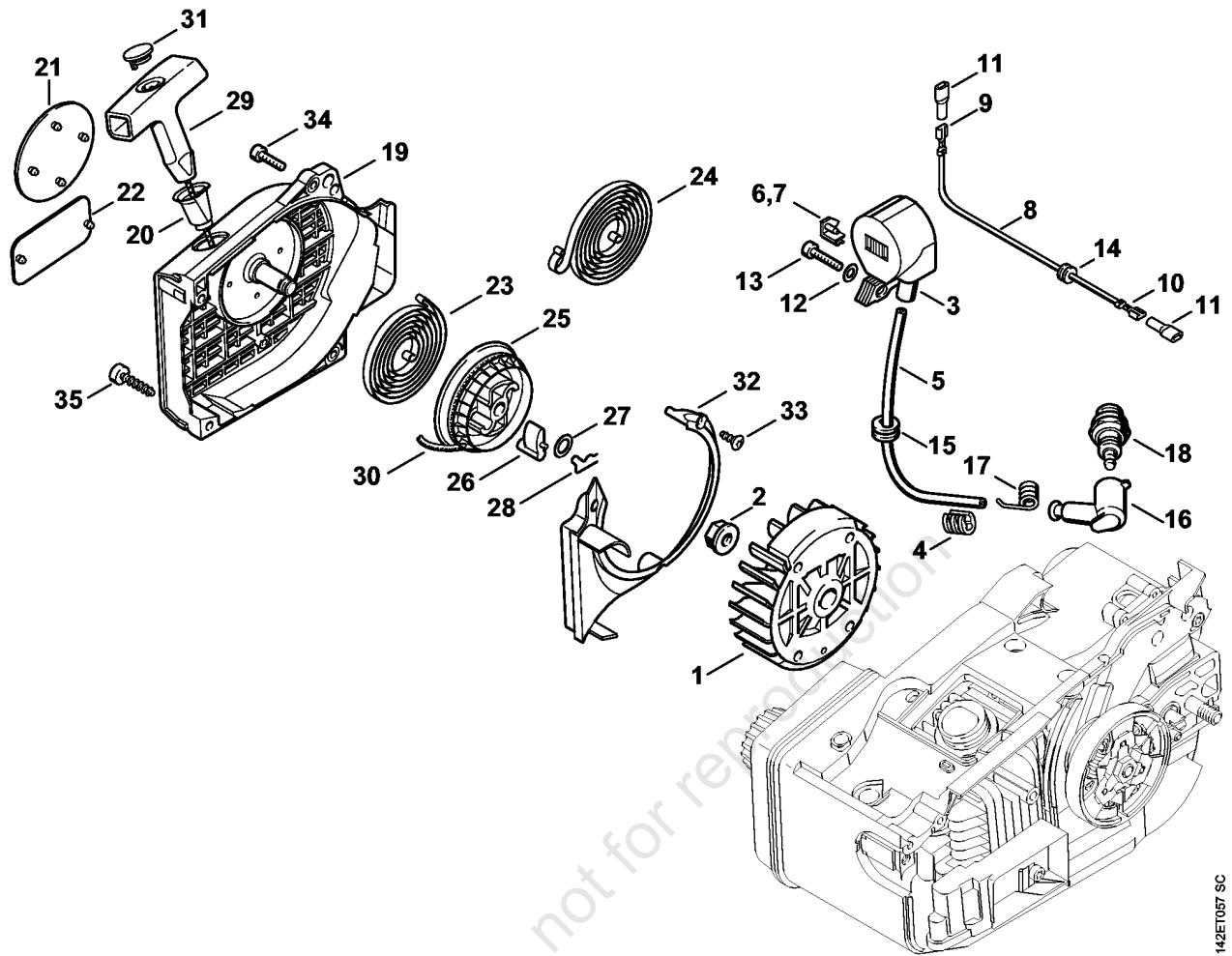
online version, not for publication

142ET055 SC

## Chain sprocket cover

| Reference | Item number     | Qty | Description               | Contains |
|-----------|-----------------|-----|---------------------------|----------|
| 1         | 1129 640 1702   | 1   | Chain sprocket cover      | 2 - 6    |
| 2         | 1120 162 5200   | 1   | Pin                       |          |
| 3         | 1129 640 5000   | 1   | Insert                    |          |
| 4         | 9378 543 2700   | 1   | Notched pin 5x30          |          |
| 5         | 1129 656 7701   | 1   | Chain catcher             |          |
| 6         | 1129 162 6600   | 1   | Limit stop                |          |
| 7         | 9104 003 3004   | 2   | Self-tapping screw P4x14  |          |
| 8         | 1129 792 9100   | 1   | Hand guard (2)            |          |
| 9         | 0000 967 3724   | 1   | Instruction label USA (2) |          |
| 10        | 1129 792 9101   | 1   | Hand guard (1)            |          |
| 11        | 1128 160 5000   | 1   | Lever                     |          |
| 12        | 1123 160 5400   | 1   | Brake band                |          |
| 13        | 1129 162 7800   | 1   | Flat spring               |          |
| 14        | 0000 997 1018   | 1   | Tension spring            |          |
| 15        | 1129 648 7700   | 1   | Cover                     |          |
| 16        | 1123 648 6600   | 1   | Bumper strip              |          |
| 17        | 0000 955 0801   | 1   | Hexagon nut M8            |          |
| 20        | * 0000 961 1408 | 1   | Ring                      |          |
| 21        | * 1114 656 7705 | 1   | Chain catcher             |          |
| 22        | * 9104 003 3004 | 1   | Self-tapping screw P4x14  |          |

**Rewind starter**



142ET057 SC

(1) 020, (2) 020 T

## Rewind starter

| Reference | Item number     | Qty | Description                     | Contains             | Technical Information |
|-----------|-----------------|-----|---------------------------------|----------------------|-----------------------|
| 1         | 1129 400 1201   | 1   | Flywheel                        |                      | 25.2005               |
| 2         | 0000 955 0802   | 1   | Collar nut M8x1                 |                      |                       |
| 3         | 0000 400 1306   | 1   | Ignition module                 | 5, 6, 9, 11, 12      |                       |
| 4         | 1130 448 1201   | 1   | Lead retainer                   |                      |                       |
| 5         |                 | 1   | Ignition lead 290 mm (D)        |                      |                       |
|           | 0000 405 0600   | 1   | Ignition lead 1 m (A,B)         |                      |                       |
|           | 0000 930 2251   | 1   | Ignition lead 10 m (A,B)        |                      |                       |
| 6         | 0000 448 1203   | 1   | Lead retainer                   |                      |                       |
| 7         | * 0000 448 1200 | 1   | Lead retainer                   |                      |                       |
| 8         | 1129 440 1100   | 1   | Short circuit wire              | 9 - 11               |                       |
| 9         | 0751 030 8958   | 1   | Terminal socket 4.8-1 (C)       |                      |                       |
| 10        | 0751 030 8953   | 1   | Terminal socket 4.8-1 (C)       |                      |                       |
| 11        | 0751 030 8470   | 2   | Grommet (C)                     |                      |                       |
| 12        | 9291 021 0121   | 2   | Washer 5.3                      |                      |                       |
| 13        | 9022 371 0710   | 2   | Spline screw IS-M4x20           |                      |                       |
| 14        | 0000 989 0812   | 1   | Grommet                         |                      |                       |
| 15        | 0000 989 0810   | 1   | Grommet                         |                      |                       |
| 16        | 1128 405 1000   | 1   | Spark plug boot                 |                      |                       |
| 17        | 0000 998 0604   | 1   | Spark plug contact spring       |                      |                       |
| 18        | 1110 400 7005   | 1   | Spark plug Bosch WSR 6 F        |                      |                       |
|           | 1129 080 2105   | 1   | Fan housing with rewind starter | 19 - 21, 23, 25 - 33 |                       |
| 19        | 1129 080 1806   | 1   | Fan housing                     | 20, 21               |                       |
| 20        | 1110 084 9102   | 1   | Bushing                         |                      |                       |
| 21        | 0000 967 1500   | 1   | Nameplate STIHL                 |                      |                       |
| 22        | * 0000 967 2035 | 1   | Nameplate STIHL                 |                      |                       |
| 23        | 1123 190 0600   | 1   | Rewind spring                   |                      |                       |
| 24        | * 1129 190 0601 | 1   | Rewind spring                   |                      | 22.2004               |
| 25        | 1123 195 0400   | 1   | Rope rotor                      |                      |                       |
| 26        | 1125 195 7200   | 1   | Pawl                            |                      |                       |
| 27        | 0000 958 0923   | 1   | Washer                          |                      |                       |
| 28        | 1118 195 3500   | 1   | Spring                          |                      |                       |
| 29        | 0000 190 3409   | 1   | Starter grip ElastoStart Ø 3 mm | 30, 31               |                       |
| 30        | 0000 195 8205   | 1   | Starter rope Ø 3x750 mm         |                      |                       |
| 31        | 0000 195 7001   | 1   | Cap                             |                      |                       |
| 32        | 1129 084 7800   | 1   | Segment                         |                      |                       |
| 33        | 9104 003 8710   | 3   | Self-tapping screw P4x10        |                      |                       |
| 34        | 9022 313 0680   | 2   | Pan head screw IS M4x16         |                      |                       |

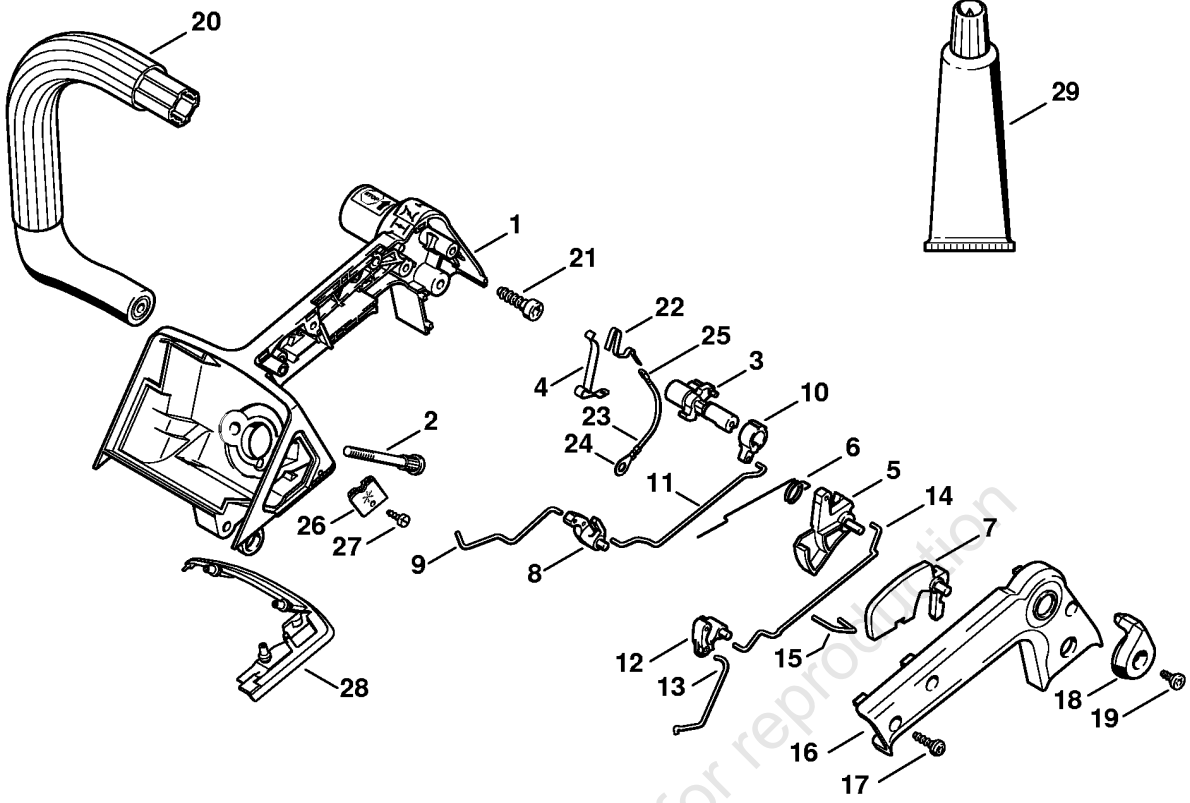
(1) 020, (2) 020 T

**Rewind starter**

| Reference | Item number   | Qty | Description                          | Contains | Technical Information |
|-----------|---------------|-----|--------------------------------------|----------|-----------------------|
| 35        | 9074 478 4135 | 2   | Pan head self-tapping screw IS-P5x20 |          |                       |

online version, not for reproduction





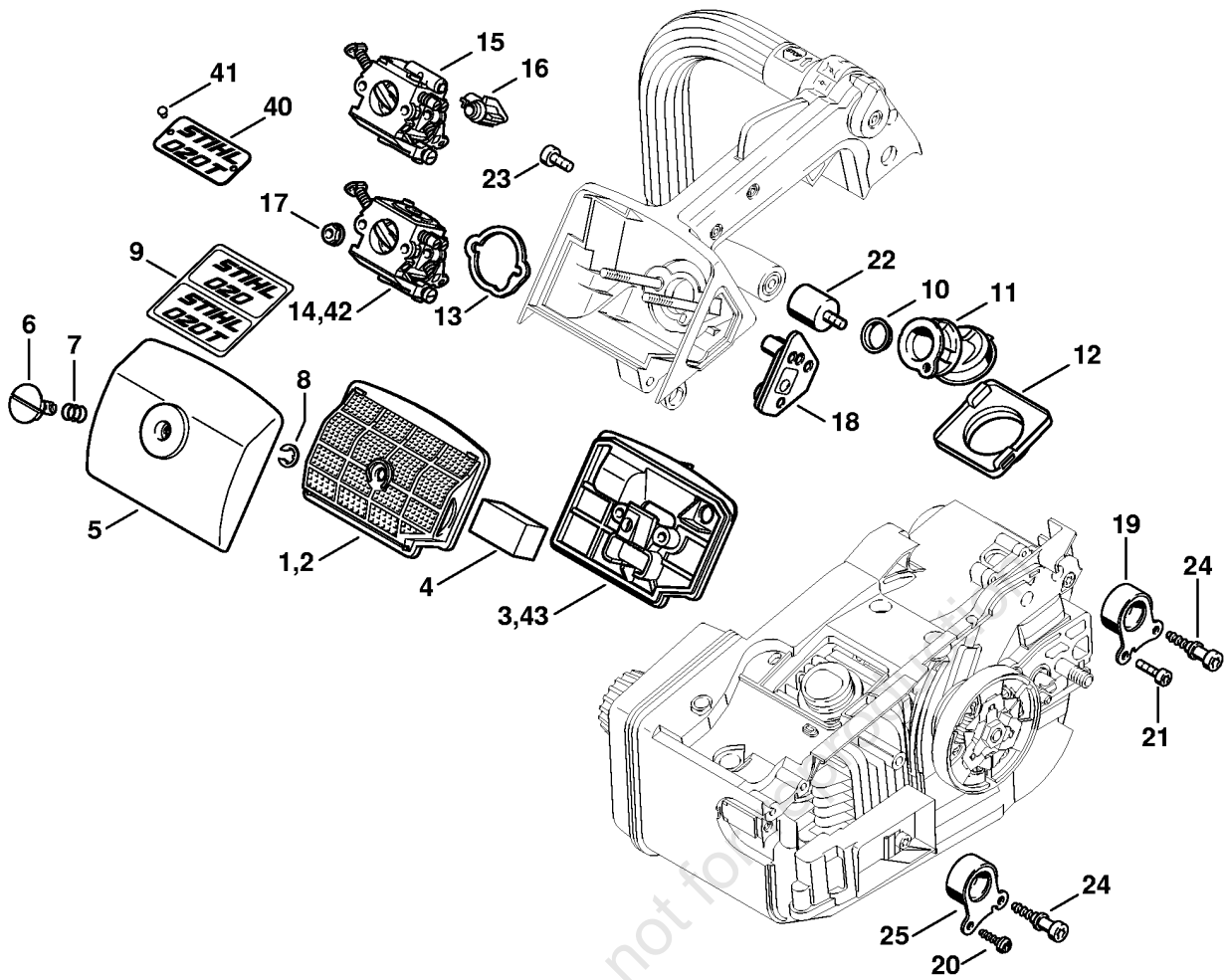
online version, not for reproduction

142ET066 SC

## Handle housing 020 T

| Reference | Item number   | Qty | Description                                | Contains        | Technical Information |
|-----------|---------------|-----|--|-----------------|-----------------------|
|           | 1129 790 1018 | 1   | Handle housing (2)                         | 1 - 19, 22 - 28 |                       |
| 1         | 1129 790 1015 | 1   | Handle housing (2)                         | 2, 26 - 28      |                       |
| 2         | 1125 122 6600 | 2   | Collar screw (2)                           |                 |                       |
| 3         | 1129 180 0900 | 1   | Switch shaft (2)                           |                 |                       |
| 4         | 1129 442 1600 | 1   | Contact spring (2)                         |                 |                       |
| 5         | 1129 180 1500 | 1   | Throttle trigger (2)                       |                 |                       |
| 5         | 1132 180 1500 | 1   | Throttle trigger CDN (2)                   |                 |                       |
| 6         | 1129 182 4500 | 1   | Torsion spring (2)                         |                 |                       |
| 7         | 1129 182 0800 | 1   | Lockout lever (2)                          |                 |                       |
| 8         | 1129 180 8000 | 1   | Double lever choke (2)                     |                 |                       |
| 9         | 1129 185 1900 | 1   | Choke rod short (2)                        |                 |                       |
| 10        | 1129 185 2000 | 1   | Choke lever (2)                            |                 |                       |
| 11        | 1129 185 1901 | 1   | Choke rod long (2)                         |                 |                       |
| 12        | 1129 180 4000 | 1   | Double lever throttle (2)                  |                 |                       |
| 13        | 1129 182 1500 | 1   | Throttle rod short (2)                     |                 |                       |
| 14        | 1129 182 1501 | 1   | Throttle rod long (2)                      |                 |                       |
| 15        | 1129 791 4400 | 1   | Clamp (2)                                  |                 |                       |
| 16        | 1129 791 0600 | 1   | Handle molding (2)                         |                 |                       |
| 17        | 9104 003 3004 | 3   | Self-tapping screw P4x14 (2)               |                 |                       |
| 18        | 1129 182 5100 | 1   | Trigger switch (2)                         |                 |                       |
| 19        | 9104 003 8710 | 1   | Self-tapping screw P4x10 (2)               |                 |                       |
| 20        | 1129 791 1700 | 1   | Handlebar (2)                              |                 |                       |
| 21        | 9074 478 4475 | 1   | Pan head self-tapping screw IS-P6x21.5 (2) |                 |                       |
| 22        | 1129 440 4000 | 1   | Contact spring (2)                         | 23 - 25         |                       |
| 23        |               | 1   | Ground wire (D) (2)                        |                 |                       |
| 24        | 0751 030 8950 | 1   | Terminal socket A 4-1 (C) (2)              |                 |                       |
| 25        | 0751 030 8407 | 1   | Terminal socket 2.8-1/0.4 (C) (2)          |                 |                       |
| 26        | 1129 793 3001 | 1   | Slide (B) (2)                              |                 |                       |
| 27        | 9099 021 1760 | 1   | Self-tapping screw 2.9x9.5 (B) (2)         |                 |                       |
| 28        | 1129 791 7502 | 1   | Cover (B) (2)                              |                 |                       |
| 29        | 0781 120 1109 | 1   | Multipurpose grease 80 g (B) (2)           |                 | 53.2008               |

**Air filter 020 T**



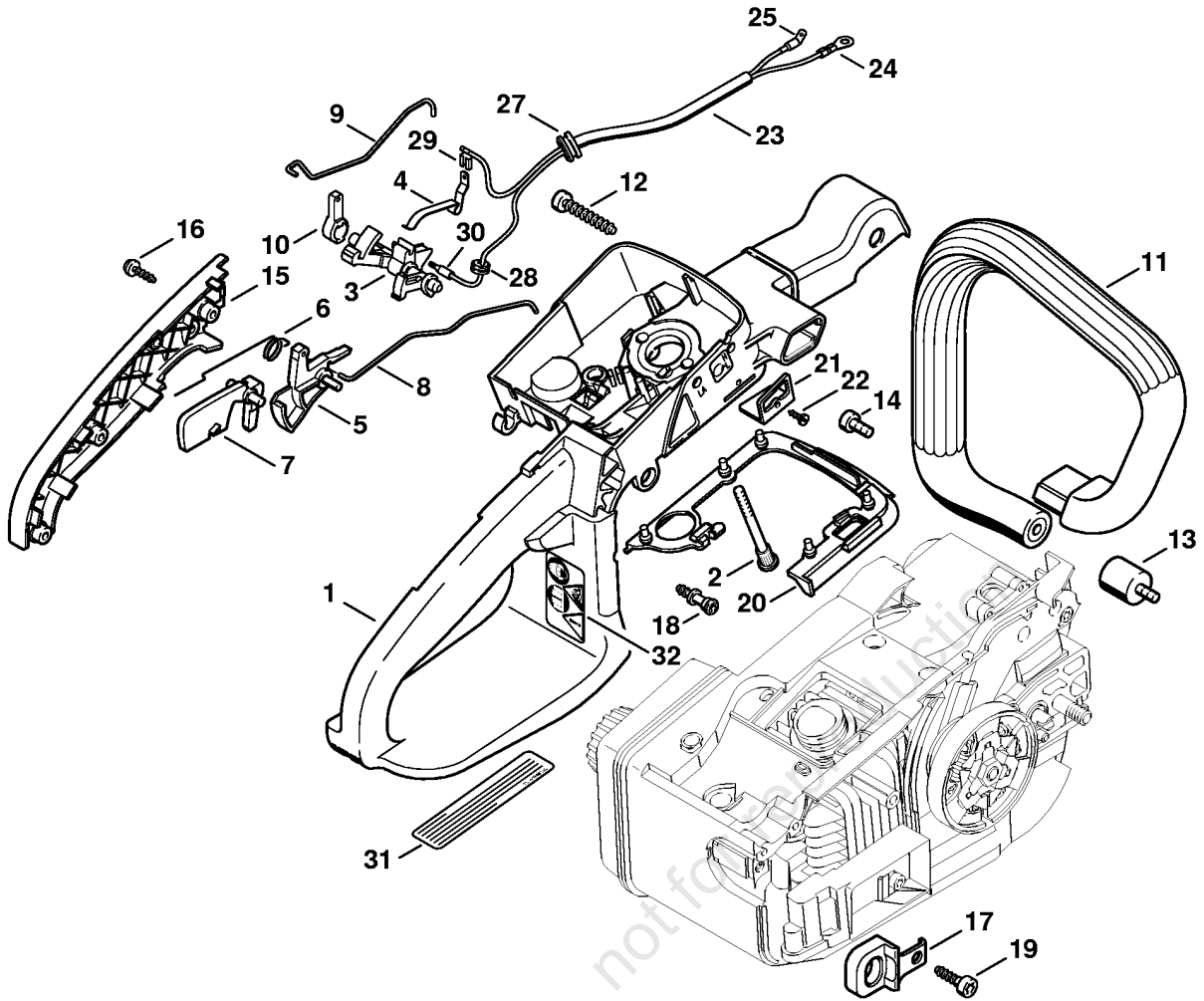
142ET062 SC

(1) 020, (2) 020 T

## Air filter 020 T

| Reference | Item number     | Qty | Description                  | Contains | Up to     |
|-----------|-----------------|-----|------------------------------|----------|-----------|
| 1         | 1129 120 1602   | 1   | Air filter (2)               |          |           |
| 2         | 1129 120 1607   | 1   | Air filter, fleece (2)       |          |           |
| 3         | 1129 120 3402   | 1   | Filter base (2)              |          |           |
| 4         | 1129 122 0100   | 1   | Foam insert (2)              |          |           |
| 5         | 1129 140 1902   | 1   | Carburetor box cover (2)     | 6 - 8    |           |
| 6         | 1129 148 9200   | 1   | Twist lock (2)               |          |           |
| 7         | 0000 997 0927   | 1   | Compression spring (2)       |          |           |
| 8         | 9460 624 0500   | 1   | E-clip 5 (2)                 |          |           |
| 9         | 1129 967 1505   | 1   | Model plate 020 T, 020 (2)   |          |           |
| 10        | 1113 141 1805   | 1   | Sleeve (2)                   |          |           |
| 11        | 1129 141 2200   | 1   | Manifold (2)                 |          |           |
| 12        | 1129 141 3300   | 1   | Supporting plate (2)         |          |           |
| 13        | 1129 121 8600   | 1   | Washer (2)                   |          |           |
| 14        | 1129 120 0606   | 1   | Carburetor WT-326D (2)       |          |           |
| 15        | 1129 120 0650   | 1   | Carburetor C1Q-S32A (2)      |          |           |
| 16        | 1129 122 3300   | 1   | Connector (2)                |          |           |
| 17        | 9216 261 0700   | 2   | Hexagon nut M5 (2)           |          |           |
| 18        | 1129 123 7502   | 1   | Grommet (2)                  |          |           |
| 19        | 1129 790 9900   | 1   | Annular buffer (2)           |          |           |
| 20        | 9104 003 3004   | 2   | Self-tapping screw P4x14 (2) |          |           |
| 21        | 9022 313 0680   | 2   | Pan head screw IS M4x16 (2)  |          |           |
| 22        | 1116 790 9600   | 1   | Annular buffer (2)           |          |           |
| 23        | 9022 341 0960   | 1   | Spline screw IS-M5x12 (2)    |          |           |
| 24        | 1129 791 6100   | 2   | Screw (2)                    |          |           |
| 25        | 1129 790 9902   | 1   | Annular buffer (2)           |          |           |
| 40        | * 1129 967 1500 | 1   | Model plate 020 T (2)        |          |           |
| 41        | * 0000 974 1000 | 2   | Round head rivet 3x6 (2)     |          |           |
| 42        | *               | 1   | Carburetor C1Q-S16A (2)      |          | 142788084 |
| 43        | * 1129 120 3400 | 1   | Filter base (2)              |          | 142788084 |

**Handle housing 020**



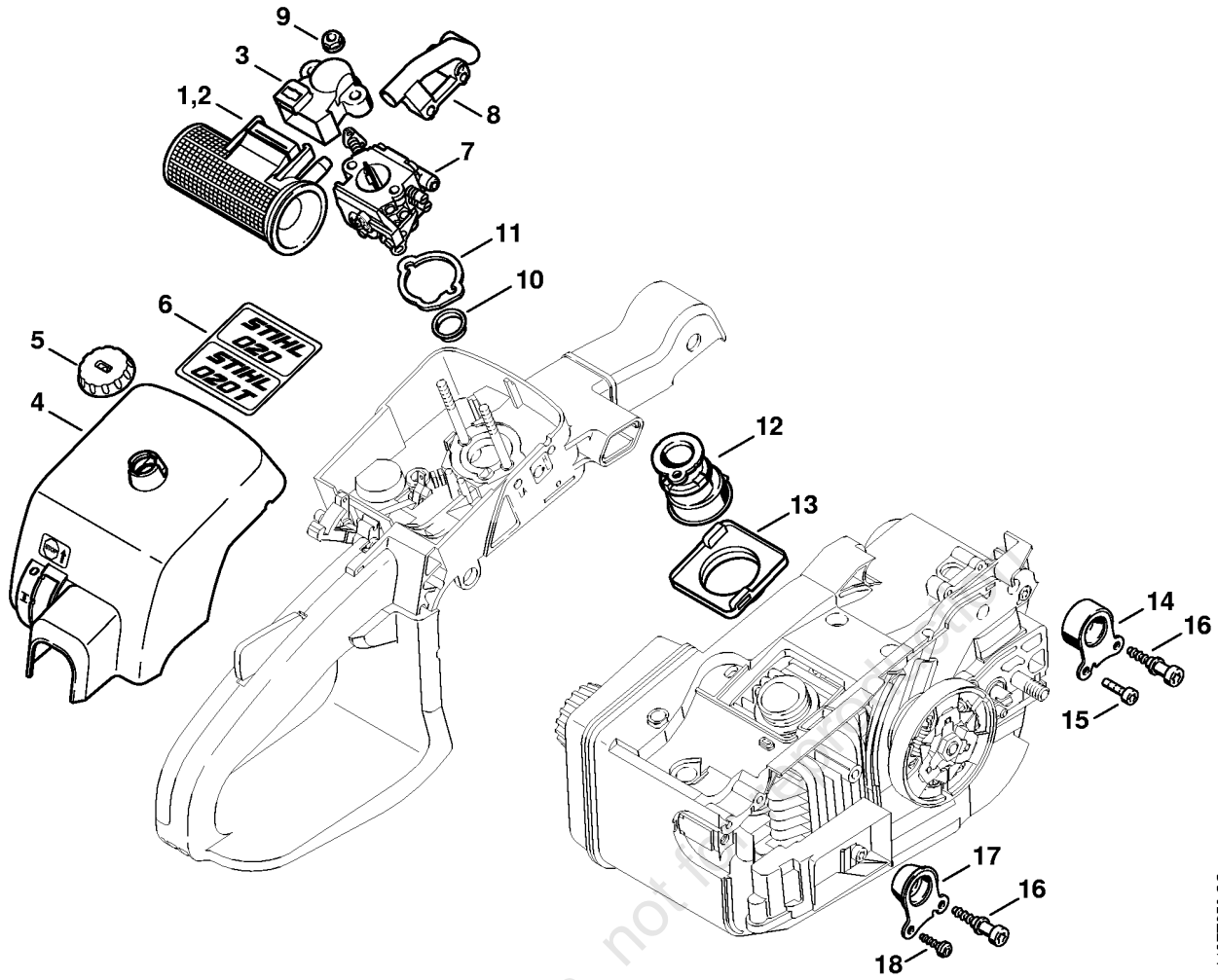
142ET049 SC

(1) 020, (2) 020 T

## Handle housing 020

| Reference | Item number   | Qty | Description                                | Contains       |
|-----------|---------------|-----|--|----------------|
| 1         | 1129 790 1001 | 1   | Handle housing (1)                         | 2, 20 - 22, 32 |
| 2         | 1125 122 6600 | 2   | Collar screw (1)                           |                |
| 3         | 1129 182 0901 | 1   | Switch shaft (1)                           |                |
| 4         | 1129 442 1600 | 1   | Contact spring (1)                         |                |
| 5         | 1129 180 1501 | 1   | Throttle trigger (1)                       |                |
| 6         | 1129 182 4500 | 1   | Torsion spring (1)                         |                |
| 7         | 1129 182 0801 | 1   | Lockout lever (1)                          |                |
| 8         | 1129 182 1502 | 1   | Throttle rod (1)                           |                |
| 9         | 1129 185 1902 | 1   | Choke rod (1)                              |                |
| 10        | 1129 185 2001 | 1   | Choke lever (1)                            |                |
| 11        | 1129 791 1701 | 1   | Handlebar (1)                              |                |
| 12        | 9074 478 4675 | 1   | Pan head self-tapping screw IS-P6x32.5 (1) |                |
| 13        | 1116 790 9600 | 1   | Annular buffer (1)                         |                |
| 14        | 9022 341 0960 | 1   | Spline screw IS-M5x12 (1)                  |                |
| 15        | 1129 791 0601 | 1   | Handle molding (1)                         |                |
| 16        | 9104 003 3004 | 3   | Self-tapping screw P4x14 (1)               |                |
| 17        | 1129 790 9700 | 1   | Stop buffer (1)                            |                |
| 18        | 1129 791 6101 | 1   | Collar screw (1)                           |                |
| 19        | 9074 478 4435 | 1   | Pan head self-tapping screw IS-P6x19 (1)   |                |
| 20        | 1129 791 7500 | 1   | Cover (1)                                  |                |
| 21        | 1129 793 3000 | 1   | Slide (1)                                  |                |
| 22        | 9099 021 1760 | 1   | Self-tapping screw 2.9x9.5 (1)             |                |
| 23        | 1129 440 3000 | 1   | Wiring harness (1)                         | 24 - 30        |
| 24        | 0751 030 8950 | 1   | Terminal socket A 4-1 (C) (1)              |                |
| 25        | 0751 030 8452 | 1   | Spade terminal 4.8-1 (C) (1)               |                |
| 27        | 0000 989 0814 | 1   | Grommet (1)                                |                |
| 28        | 0000 989 0813 | 1   | Grommet (1)                                |                |
| 29        | 0751 030 8474 | 1   | Terminal socket 4.8-1 (C) (1)              |                |
| 30        | 0751 030 8490 | 1   | Terminal socket 3.5 (C) (1)                |                |
| 31        | 0000 967 3500 | 1   | Instruction label USA (1)                  |                |
| 32        | 0000 967 3662 | 1   | Warning pictogram MS (1)                   |                |

**Air filter 020**



142ET053 SC

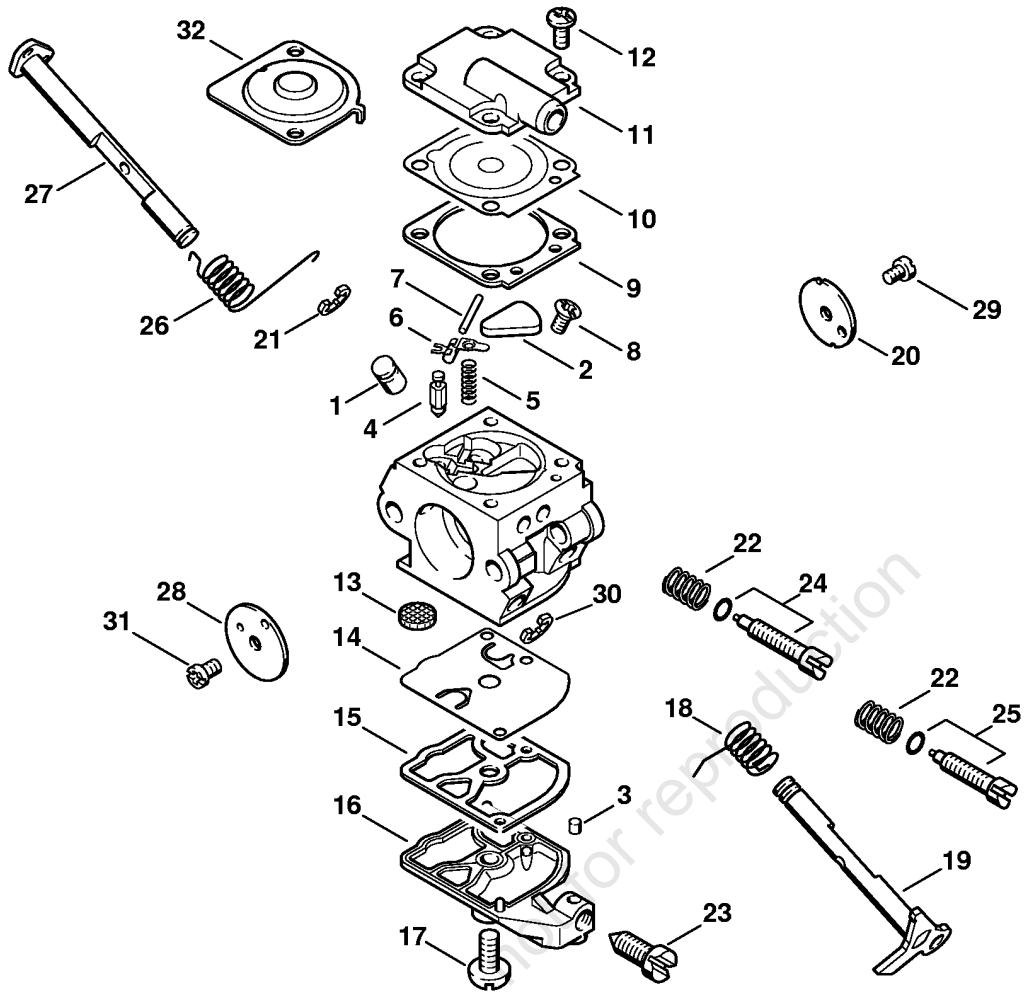
(1) 020, (2) 020 T

## Air filter 020

| Reference | Item number   | Qty | Description                  | Contains |
|-----------|---------------|-----|------------------------------|----------|
| 1         | 1129 120 1603 | 1   | Air filter (1)               |          |
| 2         | 1129 120 1604 | 1   | Air filter, fleece (1)       |          |
| 3         | 1129 124 3400 | 1   | Filter base (1)              |          |
| 4         | 1129 140 1903 | 1   | Carburetor box cover (1)     | 5        |
| 5         | 1129 141 2300 | 1   | Twist lock (1)               |          |
| 6         | 1129 967 1505 | 1   | Model plate 020 T, 020 (1)   |          |
| 7         | 1129 120 0650 | 1   | Carburetor C1Q-S32A (1)      |          |
| 8         | 1129 123 7504 | 1   | Grommet (1)                  |          |
| 9         | 9216 261 0700 | 2   | Hexagon nut M5 (1)           |          |
| 10        | 1113 141 1805 | 1   | Sleeve (1)                   |          |
| 11        | 1129 121 8600 | 1   | Washer (1)                   |          |
| 12        | 1129 141 2201 | 1   | Manifold (1)                 |          |
| 13        | 1129 141 3300 | 1   | Supporting plate (1)         |          |
| 14        | 1129 790 9900 | 1   | Annular buffer (1)           |          |
| 15        | 9022 313 0680 | 2   | Pan head screw IS M4x16 (1)  |          |
| 16        | 1129 791 6100 | 2   | Screw (1)                    |          |
| 17        | 1129 790 9903 | 1   | Annular buffer (1)           |          |
| 18        | 9104 003 3004 | 2   | Self-tapping screw P4x14 (1) |          |



**Carburetor C1Q-S32**

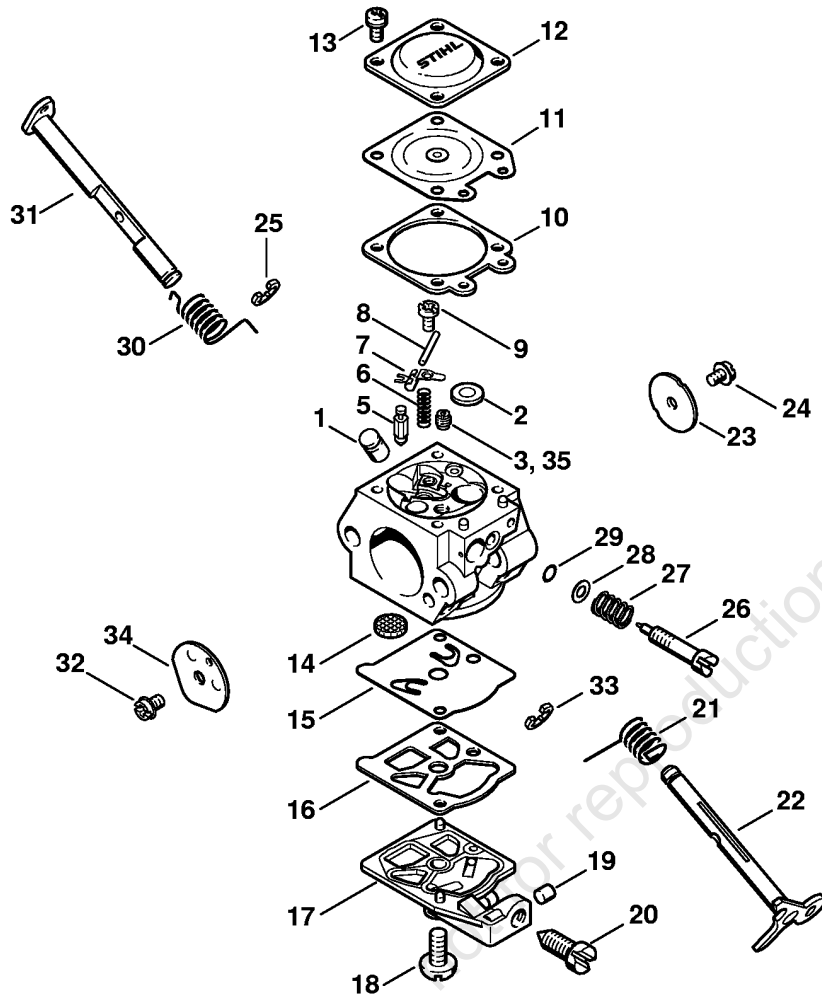


142ET023 SC

(1) 020, (2) 020 T

## Carburetor C1Q-S32

| Reference | Item number   | Qty | Description               | Contains      |
|-----------|---------------|-----|---------------------------|---------------|
|           | 1129 120 0650 | 1   | Carburetor C1Q-S32A       | 1 - 32        |
| 1         | 1129 121 5400 | 1   | Valve jet                 |               |
| 2         | 1123 121 0700 | 1   | Cup plug                  |               |
| 3         | 1125 122 4200 | 1   | Clamp                     |               |
| 4         | Z000 018 Z000 | 1   | Inlet needle              |               |
| 5         | 1128 122 3000 | 1   | Spring                    |               |
| 6         | 1125 121 5000 | 1   | Inlet control lever       |               |
| 7         | 1120 121 9200 | 1   | Spindle                   |               |
| 8         | 1120 122 6600 | 1   | Collar screw              |               |
| 9         | 1129 129 0900 | 1   | Gasket                    |               |
| 10        | 0000 121 4700 | 1   | Metering diaphragm        |               |
| 11        | 1129 121 0802 | 1   | End cover                 |               |
| 12        | 1120 122 6601 | 4   | Collar screw              |               |
| 13        | 1123 121 7800 | 1   | Strainer                  |               |
| 14        | 1129 121 4800 | 1   | Pump diaphragm            |               |
| 15        | 1123 129 0905 | 1   | Gasket                    |               |
| 16        | 1123 121 0800 | 1   | End cover                 |               |
| 17        | 1120 122 7800 | 1   | Oval head screw           |               |
| 18        | 1123 122 3000 | 1   | Spring                    |               |
| 19        | 1129 120 7100 | 1   | Throttle shaft with lever |               |
| 20        | 1123 121 3300 | 1   | Throttle shutter          |               |
| 21        | 1125 122 9001 | 1   | E-clip                    |               |
| 22        | 1120 122 3005 | 2   | Spring                    |               |
| 23        | 1123 122 6200 | 1   | Idle speed screw          |               |
| 24        | 1129 122 6801 | 1   | Low speed screw           |               |
| 25        | 1129 122 6701 | 1   | High speed screw          |               |
| 26        | 1123 122 3200 | 1   | Torsion spring            |               |
| 27        | 1129 120 7201 | 1   | Choke shaft with lever    |               |
| 28        | 1129 121 2900 | 1   | Choke shutter             |               |
| 29        | 1120 122 7400 | 1   | Round head screw          |               |
| 30        | 1125 122 9002 | 1   | E-clip                    |               |
| 31        | 1125 122 7403 | 1   | Round head screw          |               |
| 32        | 1123 121 0801 | 1   | End cover (B)             |               |
|           | 1129 007 1062 | 1   | Set of carburetor parts   | 9, 10, 14, 15 |

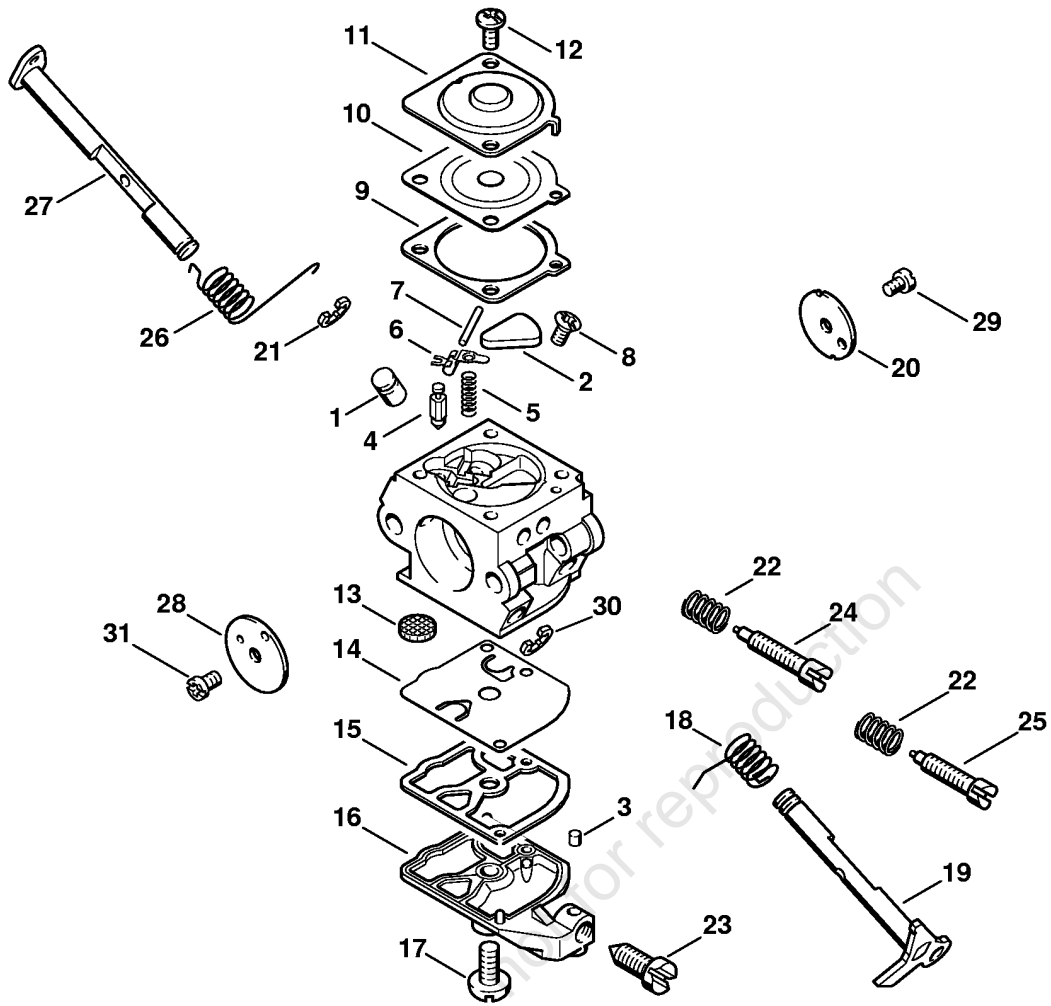


142ET019 SC

## Carburetor WT-326

| Reference | Item number   | Qty | Description                           | Contains              |
|-----------|---------------|-----|---------------------------------------|-----------------------|
|           | 1129 120 0606 | 1   | Carburetor WT-326D (2)                | 1 - 34                |
| 1         | 1129 121 5402 | 1   | Valve jet (2)                         |                       |
| 2         | 4117 122 9402 | 1   | Plug (2)                              |                       |
| 3         | 1129 121 5600 | 1   | Fixed jet 0.50 (2)                    |                       |
| 5         | 4116 121 5100 | 1   | Inlet needle (2)                      |                       |
| 6         | 4116 122 3000 | 1   | Spring (2)                            |                       |
| 7         | 1113 121 5000 | 1   | Inlet control lever (2)               |                       |
| 8         | 1113 121 9200 | 1   | Spindle (2)                           |                       |
| 9         | 1114 122 7400 | 1   | Round head screw (2)                  |                       |
| 10        | 1120 129 0900 | 1   | Gasket (2)                            |                       |
| 11        | 1129 121 4700 | 1   | Metering diaphragm (2)                |                       |
| 12        | 1113 121 0800 | 1   | End cover (2)                         |                       |
| 13        | 1106 122 7400 | 4   | Round head screw (2)                  |                       |
| 14        | 1114 121 7800 | 1   | Strainer (2)                          |                       |
| 15        | 1121 121 4801 | 1   | Pump diaphragm (2)                    |                       |
| 16        | 1120 129 0905 | 1   | Gasket (2)                            |                       |
| 17        | 1129 121 0801 | 1   | End cover (2)                         | 19, 20                |
| 18        | 1114 122 7100 | 1   | Screw (2)                             |                       |
| 19        |               | 1   | Ball (D) (2)                          |                       |
| 20        |               | 1   | Idle speed adjustment screw (D) (2)   |                       |
| 21        | 1130 122 3200 | 1   | Torsion spring (2)                    |                       |
| 22        | 1129 120 7101 | 1   | Throttle shaft with lever (2)         |                       |
| 23        | 1123 121 3301 | 1   | Throttle shutter (2)                  |                       |
| 24        | 1115 122 7400 | 1   | Round head screw (2)                  |                       |
| 25        | 1117 122 9000 | 1   | E-clip (2)                            |                       |
| 26        | 1123 122 6802 | 1   | Low speed screw (2)                   |                       |
| 27        | 1115 122 3002 | 1   | Spring (2)                            |                       |
| 28        | 1111 121 8605 | 1   | Washer (2)                            |                       |
| 29        | 4124 122 3600 | 1   | Sealing ring (2)                      |                       |
| 30        | 1129 122 3200 | 1   | Torsion spring (2)                    |                       |
| 31        | 1129 120 7202 | 1   | Choke shaft with lever (2)            |                       |
| 32        | 1110 122 7400 | 1   | Round head screw (2)                  |                       |
| 33        | 1123 122 9000 | 1   | E-clip (2)                            |                       |
| 34        | 1130 121 2900 | 1   | Choke shutter (2)                     |                       |
| 35        | 1123 121 5642 | 1   | Fixed jet 0.42 (B) WT-326, WT-396 (2) |                       |
|           | 1129 007 1061 | 1   | Set of carburetor parts (2)           | 5 - 7, 10, 11, 14, 15 |

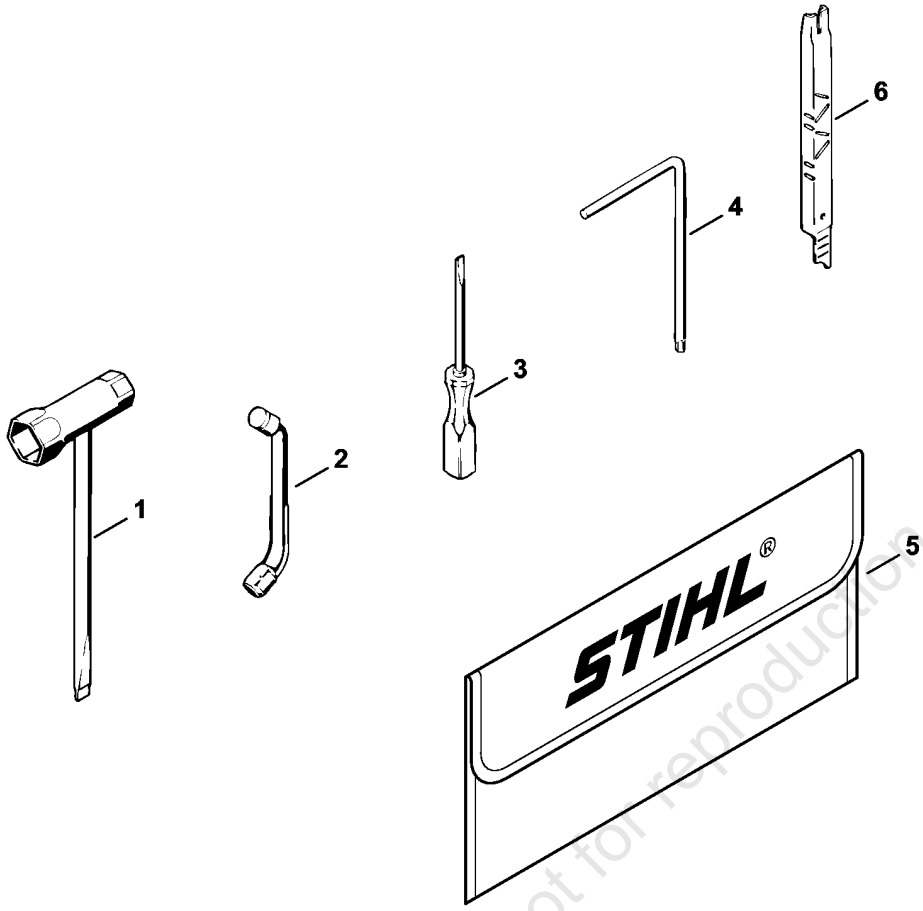
**Carburetor C1Q-S16 020 T (17.1999)**



142ET007 SC

**Carburetor C1Q-S16 020 T (17.1999)**

| Reference | Item number     | Qty | Description                   | Contains                | Up to     |
|-----------|-----------------|-----|-------------------------------|-------------------------|-----------|
|           | * 1129 120 0601 | 1   | Carburetor C1Q-S16A (2)       | 1 - 31                  | 142788084 |
| 1         | * 1129 121 5400 | 1   | Valve jet (2)                 |                         | 142788084 |
| 2         | * 1123 121 0700 | 1   | Cup plug (2)                  |                         | 142788084 |
| 3         | * 1125 122 4200 | 1   | Clamp (2)                     |                         | 142788084 |
| 4         | * Z000 018 Z000 | 1   | Inlet needle (2)              |                         | 142788084 |
| 5         | * 1128 122 3000 | 1   | Spring (2)                    |                         | 142788084 |
| 6         | * 1125 121 5000 | 1   | Inlet control lever (2)       |                         | 142788084 |
| 7         | * 1120 121 9200 | 1   | Spindle (2)                   |                         | 142788084 |
| 8         | * 1120 122 6600 | 1   | Collar screw (2)              |                         | 142788084 |
| 9         | * 1123 129 0901 | 1   | Gasket (2)                    |                         | 142788084 |
| 10        | * 1123 121 4700 | 1   | Metering diaphragm (2)        |                         | 142788084 |
| 11        | * 1123 121 0801 | 1   | End cover (2)                 |                         | 142788084 |
| 12        | * 4132 122 6600 | 2   | Collar screw (2)              |                         | 142788084 |
| 13        | * 1123 121 7800 | 1   | Strainer (2)                  |                         | 142788084 |
| 14        | * 1129 121 4800 | 1   | Pump diaphragm (2)            |                         | 142788084 |
| 15        | * 1123 129 0905 | 1   | Gasket (2)                    |                         | 142788084 |
| 16        | * 1123 121 0800 | 1   | End cover (2)                 |                         | 142788084 |
| 17        | * 1120 122 7800 | 1   | Oval head screw (2)           |                         | 142788084 |
| 18        | * 1123 122 3000 | 1   | Spring (2)                    |                         | 142788084 |
| 19        | * 1129 120 7100 | 1   | Throttle shaft with lever (2) |                         | 142788084 |
| 20        | * 1123 121 3300 | 1   | Throttle shutter (2)          |                         | 142788084 |
| 21        | * 1125 122 9001 | 1   | E-clip (2)                    |                         | 142788084 |
| 22        | * 1120 122 3005 | 2   | Spring (2)                    |                         | 142788084 |
| 23        | * 1123 122 6200 | 1   | Idle speed screw (2)          |                         | 142788084 |
| 24        | * 1129 122 6800 | 1   | Low speed screw (2)           |                         | 142788084 |
| 25        | * 1129 122 6700 | 1   | High speed screw (2)          |                         | 142788084 |
| 26        | * 1123 122 3200 | 1   | Torsion spring (2)            |                         | 142788084 |
| 27        | * 1129 120 7200 | 1   | Choke shaft with lever (2)    |                         | 142788084 |
| 28        | * 1129 121 2900 | 1   | Choke shutter (2)             |                         | 142788084 |
| 29        | * 1120 122 7400 | 1   | Round head screw (2)          |                         | 142788084 |
| 30        | * 1125 122 9002 | 1   | E-clip (2)                    |                         | 142788084 |
| 31        | * 1125 122 7403 | 1   | Round head screw (2)          |                         | 142788084 |
|           | * 1129 007 1060 | 1   | Set of carburetor parts (2)   | 4, 5, 9, 10, 13<br>- 15 | 142788084 |



online version, not for reproduction

142ET058 SC

## Tools, Extras

| Reference | Item number   | Qty | Description            | Contains |
|-----------|---------------|-----|------------------------|----------|
|           | 1129 890 1400 | 1   | Tool kit               | 1 - 5    |
| 1         | 1129 890 3401 | 1   | Combination wrench     |          |
| 2         | 0000 893 5903 | 1   | Locking strip          |          |
| 3         | 0000 890 2300 | 1   | Screwdriver            |          |
| 4         | 0812 370 1000 | 1   | Screwdriver T27x120x70 |          |
| 5         | 0000 891 0810 | 1   | Tool roll              |          |
|           |               | 1   | Extras:                |          |
| 6         | 1110 893 4000 | 1   | Filing gauge           |          |
|           | 0751 010 1110 | 1   | Cable 10 m (A)         |          |

online version, not for reproduction