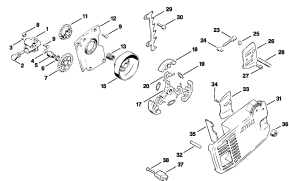
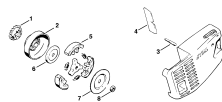


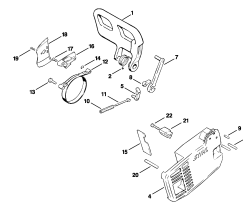
Crankcase, Cylinder



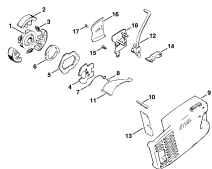
Oil pump, Clutch



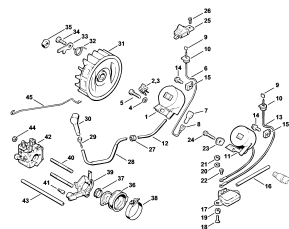
Clutch (39.81), (2.80)



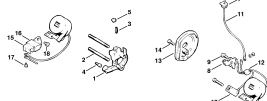
Chain brake



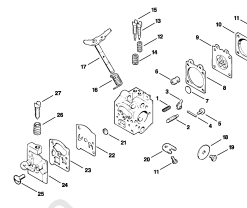
Chain brake with isolating clutch (2.80)



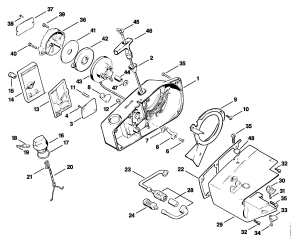
Ignition system



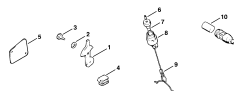
Ignition system (7.93), (36.80)



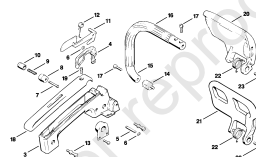
Carburetor WT-15



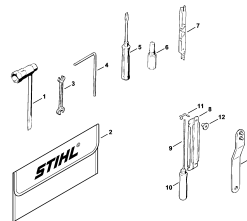
Rewind starter



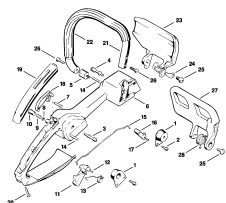
Rewind starter (2.80), (46.76), (32.74)



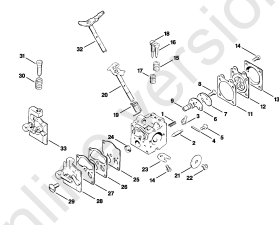
Handle



Tools, Extras



Professional-Handle



Carburetor WA-1, WA-86 (36.80)

Description

Crankcase, Cylinder

Oil pump, Clutch

Clutch (39.81), (2.80)

Chain brake

Chain brake with isolating clutch (2.80)

Ignition system

Ignition system (7.93), (36.80)

Carburetor WT-15

Rewind starter

Rewind starter (2.80), (46.76), (32.74)

Handle

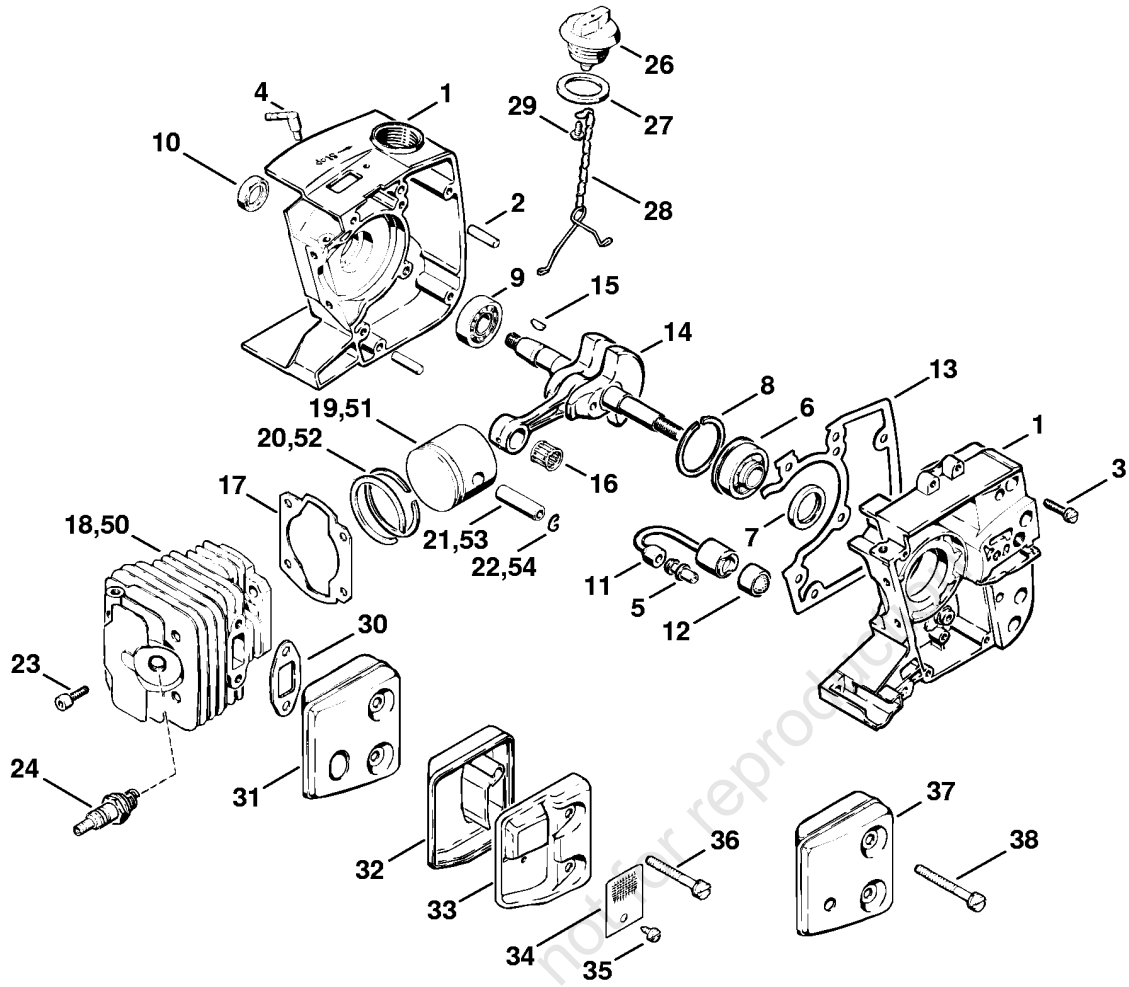
Tools, Extras

Professional-Handle

Carburetor WA-1, WA-86 (36.80)

online version, not for reproduction

Crankcase, Cylinder



114ET023 GM

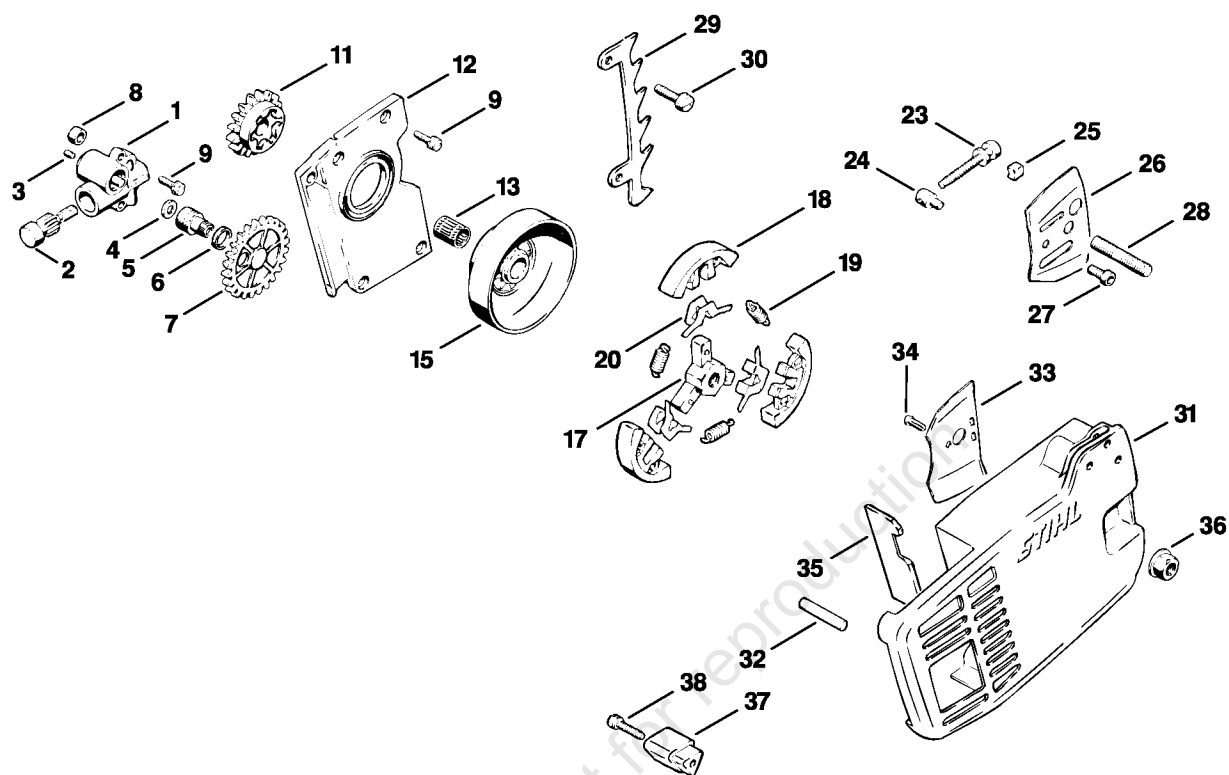
Crankcase, Cylinder

Reference	Item number	Qty	Description	Contains	Up to
1	1114 020 2102	1	Crankcase	2 - 9	
1	1114 020 2107	1	Crankcase F		
2	9371 470 2610	2	Cylindrical pin 5x18		
3	9048 216 1010	6	Pan head screw M5x18		
4	1110 122 3900	1	Elbow connector		
5	0000 988 5202	1	Connector		
6	9523 003 4430	1	Grooved ball bearing 12x32x13.5	7	
7	9640 003 1890	1	Oil seal 17.8x26.2x3.6		
8	9459 620 2570	1	Snap ring 32		
9	9503 003 0210	1	Grooved ball bearing 6001		
10	9640 003 1190	1	Oil seal 12x20x5		
11	1114 647 9400	1	Hose		
12	1106 640 3801	1	Pickup body		
13	1114 029 0500	1	Gasket		
14	1114 030 0400	1	Crankshaft		
15	1120 036 8500	1	Woodruff key 2x3.7		
16	9512 003 2040	1	Needle cage 9x13x12.5		
17	1114 029 2310	1	Cylinder gasket		
18	1114 020 1210	1	Cylinder with piston Ø 40 mm	19 - 22	
19	1114 030 2010	1	Piston Ø 40 mm	20 - 22	
20	1114 034 3001	2	Piston ring Ø 40x1.5 mm		
21	1114 034 1500	1	Piston pin 9x5x30		
22	9462 650 0900	2	Snap ring 9		
23	9036 341 1010	4	Socket head screw M5x18		
24	0000 400 7000	1	Spark plug NGK BPMR7A		
24	1110 400 7005	1	Spark plug Bosch WSR 6 F		
26	1114 640 3600	1	Oil filler cap	27 - 29	
27	0000 992 6305	1	Sealing ring		
28	1117 350 0901	2	Filler cap retainer		
29	9099 021 2360	2	Self-tapping screw 3.5x9.5		
30	1114 149 0601	1	Muffler gasket		
31	1114 140 0608	1	Muffler		
	1114 140 0607	1	Muffler USA	32 - 35	
32		1	Inlet casing (D)		
33		1	Outlet-shell (D)		
34	1114 141 9005	1	Screen USA		
35	9099 021 0810	1	Self-tapping screw 4.2x9.5		
36	9049 319 1090	2	Pan head screw M5x40		

Crankcase, Cylinder

Reference	Item number	Qty	Description	Contains	Up to
37	1114 140 0613	1	Muffler F		
38	9049 319 1100	2	Pan head screw M5x45 F		
	1114 007 1050	1	Set of gaskets	7, 10, 13, 17, 30	
50	* 1114 020 1200	1	Cylinder with piston Ø 38 mm	51 - 54	6243890
51	*	1	Piston Ø 38 mm (D)	52 - 54	6243890
52	* 1114 034 3000	2	Piston ring Ø 38x1.5 mm		6243890
53	* 1114 034 1500	1	Piston pin 9x5x30		6243890
54	* 9462 650 0900	2	Snap ring 9		6243890

online version, not for reproduction

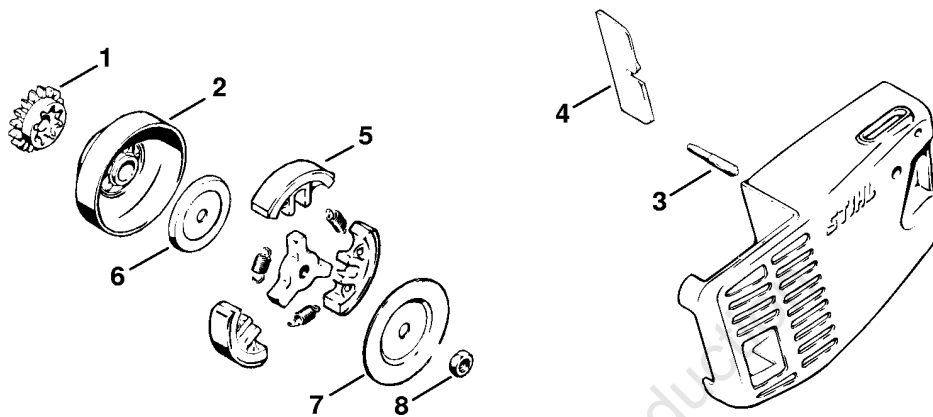


online version, not for production

114ET003 L

Oil pump, Clutch

Reference	Item number	Qty	Description	Contains
1	1114 640 3200	1	Oil pump	2 - 7
2	1114 647 0600	1	Pump piston	
3	9517 003 5000	1	Cylindrical roller 3x5	
4	0000 958 0402	1	Washer	
5	1114 647 2000	1	Worm	
6	9642 003 0810	1	Oil seal 9x13x3	
7	1114 647 1805	1	Spur gear	
8	1108 649 5000	2	Sealing ring 5x8.3x4.3	
9	9048 319 0660	6	Pan head screw M4x12	
11	1114 647 1812	1	Spur gear Picco	
12	1114 021 1100	1	Cover	
13	9512 933 2240	1	Needle cage 10x13x16	
15	1114 640 2001	1	Chain sprocket 3/8" Picco 6T	
	1120 160 2003	1	Clutch	17 - 20
17	1120 162 3200	1	Carrier	
18	1129 162 0800	3	Clutch shoe	
19	0000 997 5625	3	Tension spring	
20	1121 162 3000	3	Retainer	
23	1114 664 1600	1	Adjusting screw	
24	1110 664 1500	1	Tensioning nut	
25	1110 021 9000	1	Clamp	
26	1114 664 1000	1	Inner side plate	
27	1114 652 8900	1	Locking screw M5x12	
28	9121 319 1830	1	Stud M8x25	
29	1114 664 0500	1	Bumper spike	
30	9048 216 1010	2	Pan head screw M5x18	
31	1114 648 0404	1	Chain sprocket cover	
32	9371 470 3200	1	Cylindrical pin 6x32	
33	1114 664 1005	1	Outer side plate	
34	9441 065 1950	1	Round head rivet 3x10	
35	1114 656 1505	1	Guard plate	
36	9220 260 1100	1	Hexagon nut M8	
37	1114 656 7705	1	Chain catcher	
38	9048 319 0710	1	Pan head screw M4x20	
	1114 007 1050	1	Set of gaskets	8



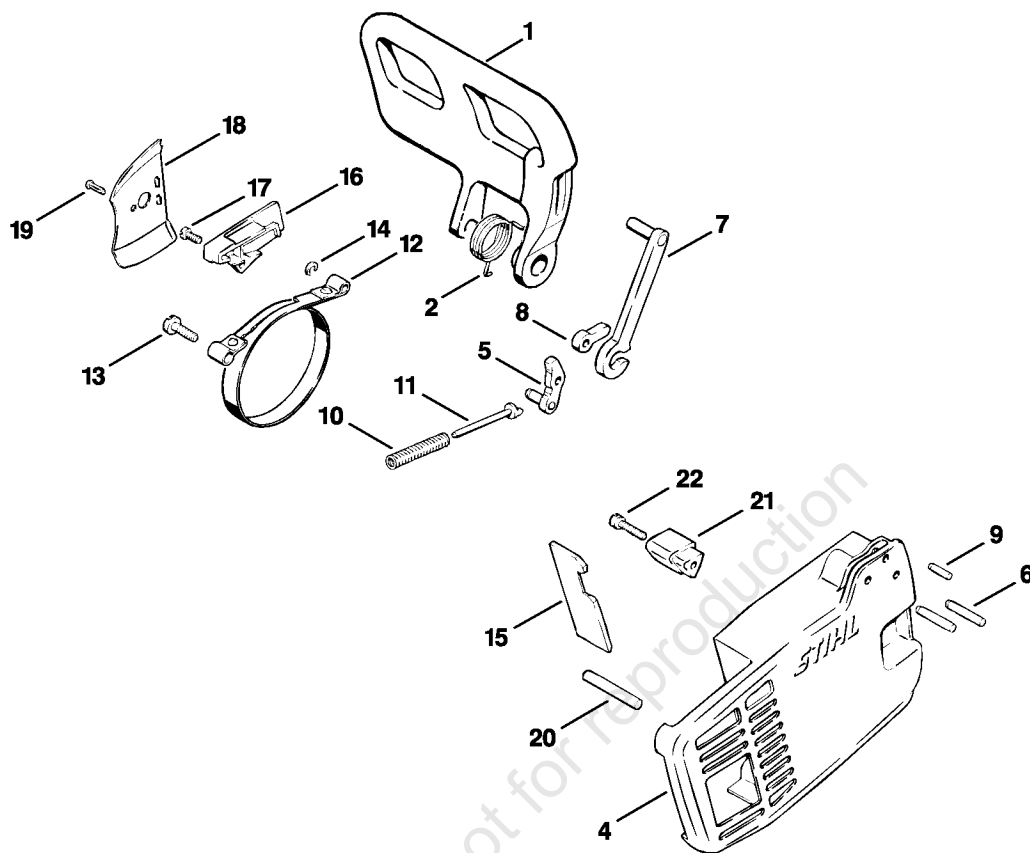
online version, not for reproduction

114ET013 GM

Clutch (39.81), (2.80)

Reference	Item number	Qty	Description	Up to
1	* 1114 647 1800	1	Spur gear 1/4"	6243890
2	* 1114 640 2000	1	Chain sprocket 1/4" 8T	6243890
3	* 0000 971 0609	1	Pin	6243890
4	* 1114 656 1500	1	Guard plate	6243890
5	* 1114 160 1500	3	Clutch shoe	8559740
6	* 1114 162 8900	1	Washer	8559740
7	* 1114 162 8901	1	Washer	8559740
8	* 9211 260 1150	1	Hexagon nut M8x1 l/h thread	8559740

online version, not for reproduction



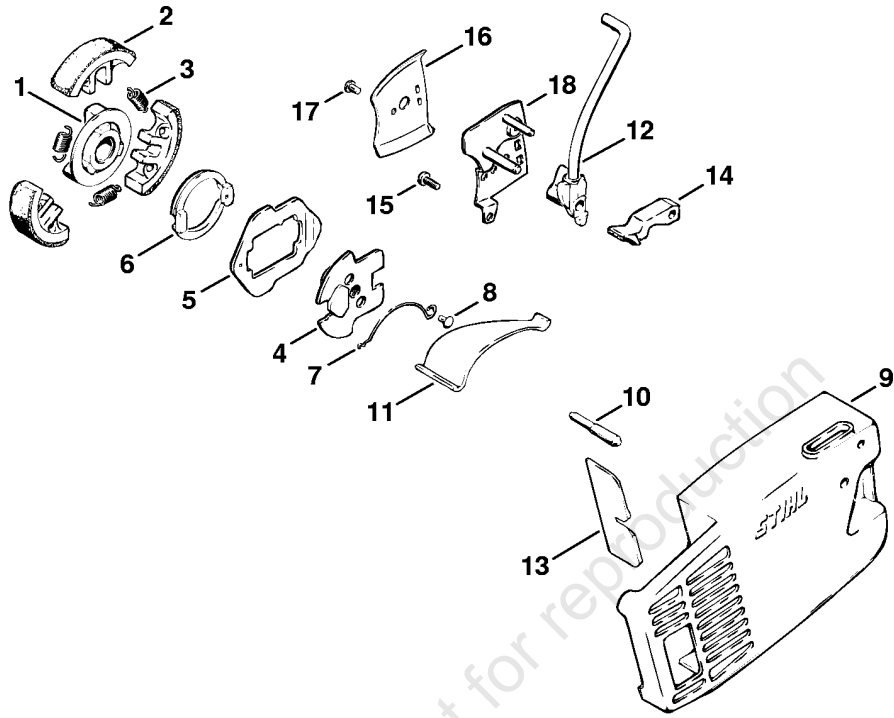
online version, not for reproduction

114ET005 L

Chain brake

Reference	Item number	Qty	Description	Contains	Up to
1	1115 792 9105	1	Hand guard		
2	0000 998 2200	1	Torsion spring		
	1114 640 1708	1	Chain sprocket cover Brake band	4 - 20	
4	1114 648 0404	1	Chain sprocket cover		
5	1114 160 5002	1	Lever		
6	9381 651 2640	2	Cylindrical pin 5x24		
7	1114 160 5003	1	Lever		
8	1114 162 5010	1	Lever		
9	9381 651 2090	1	Cylindrical pin 4x14		
10	1114 162 7803	1	Compression spring		
11	1114 162 5230	1	Pin		
12	1114 160 5401	1	Brake band		
13	9079 319 0980	1	Flat head screw M5x16		
14	9468 621 0330	1	Circlip 6x0.7		
15	1114 656 1505	1	Guard plate		
16	1114 648 7700	1	Cover		
17	9048 319 0650	1	Pan head screw M4x10		
18	1114 664 1005	1	Outer side plate		
19	9441 065 1950	1	Round head rivet 3x10		
20	9371 470 3240	1	Cylindrical pin 6x40		
21	1114 656 7705	1	Chain catcher		
22	9048 319 0710	1	Pan head screw M4x20		
	* 1114 007 1004	1	Chain brake kit	1 - 20	6243890

Chain brake with isolating clutch (2.80)

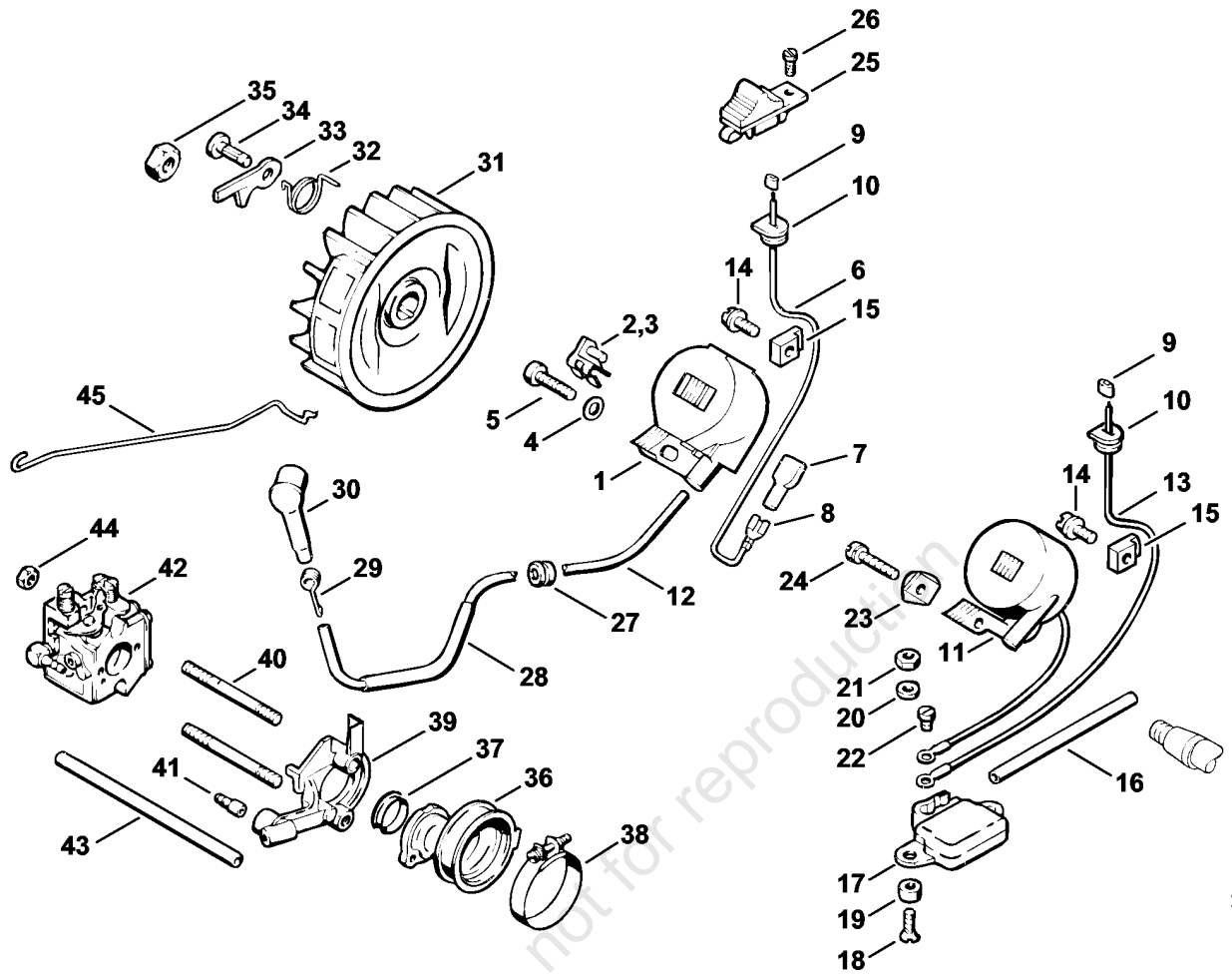


114ET022 GM

Chain brake with isolating clutch (2.80)

Reference	Item number	Qty	Description	Contains	Up to
1	* 1114 160 2300	1	Carrier		6243890
2	* 1114 160 1500	3	Clutch shoe		6243890
3	* 0000 997 5625	3	Tension spring		6243890
	* 1114 160 3400	1	Drive disc	4 - 8	6243890
4	* 1114 162 3600	1	Drive disc		6243890
5	* 1114 162 3900	1	Slide control		6243890
6	* 1114 160 4000	1	Locking slide	7, 8	6243890
7	*	1	Spring washer (D)		6243890
8	* 1113 162 1200	1	Rivet		6243890
9	* 1114 640 1705	1	Chain sprocket cover	10 - 18	6243890
10	* 0000 971 0609	1	Pin (B)		6243890
11	*	1	Trapezoidal spring		6243890
12	* 1114 640 2300	1	Cam		6243890
13	* 1114 656 1500	1	Guard plate		6243890
14	* 1114 640 2800	1	Brake shoe		6243890
15	* 9079 319 0650	2	Flat head screw M4x10		6243890
16	* 1114 664 1005	1	Outer side plate		6243890
17	* 9441 065 1950	1	Round head rivet 3x10		6243890
18	*	1	Cover plate (D)		6243890

Ignition system



114ET024 SC

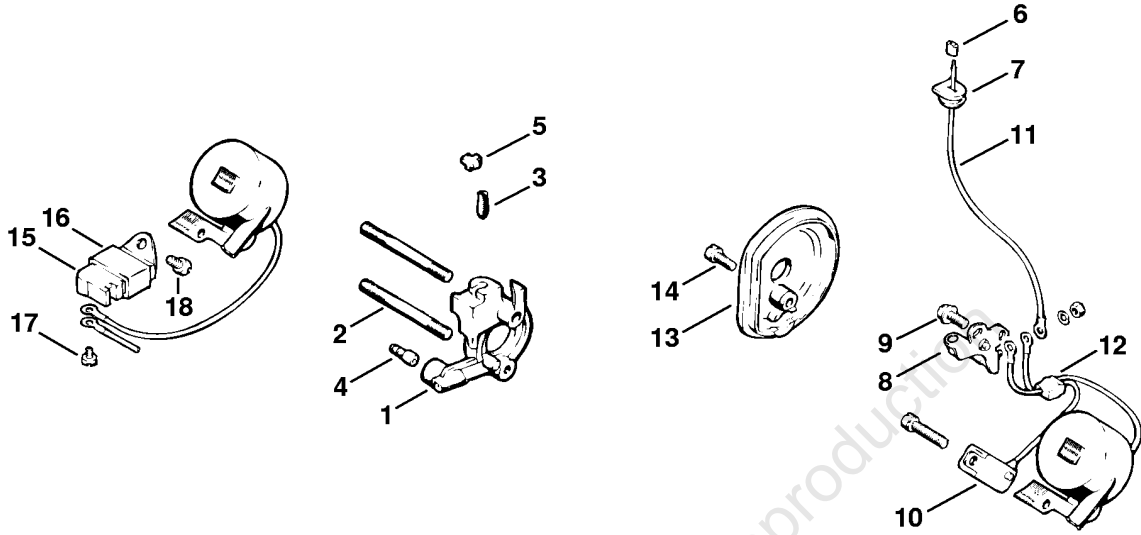
Ignition system

Reference	Item number	Qty	Description	Contains
1	0000 400 1306	1	Ignition module	2, 4, 7, 8
2	0000 448 1203	1	Lead retainer	
3	* 0000 448 1200	1	Lead retainer	
4	9291 021 0121	2	Washer 5.3	
5	9022 371 0710	2	Spline screw IS-M4x20	
6	1114 440 1104	1	Short circuit wire	7 - 10
7	0751 030 8470	1	Grommet (C)	
8	0751 030 8958	1	Terminal socket 4.8-1 (C)	
9	1114 442 7000	1	Contact sleeve	
10	1114 405 0805	1	Grommet	
11	1114 404 3200	1	Ignition coil F	12
12		1	Ignition lead 230 mm (D)	
	0000 405 0600	1	Ignition lead 1 m (A,B)	
13	1114 440 1106	1	Short circuit wire F	9, 10
14	9021 319 0670	1	Pan head screw M4x14-Z1	
15	1114 448 1200	1	Lead retainer	
16	1113 405 8800	1	Hose F	
17	1114 400 1005	1	Trigger unit F	
18	9062 319 0660	2	Countersunk screw M4x12 F	
19	1114 405 1800	2	Sleeve F	
20	9294 021 0100	2	Washer 4.3 F	
21	9210 260 0600	2	Hexagon nut M4 F	
22	9041 216 0300	1	Pan head screw M3x4 F	
23	1114 405 1900	1	Bracket F	
24	9048 319 0710	2	Pan head screw M4x20 F	
25	1114 430 0200	1	Stop switch	
26	9039 488 0340	1	Self-tapping screw M3x8	
27	0000 989 0801	1	Grommet	
28	1113 405 8800	1	Hose	
29	0000 998 0603	1	Torsion spring	
30	1106 405 1000	1	Spark plug boot	
31	1114 400 1211	1	Flywheel	32 - 34
32	0000 998 1104	2	Torsion spring	
33	1114 195 7200	2	Pawl	
34	1114 195 7800	2	Pin	
35	9210 261 1140	1	Hexagon nut M8x1	
36	1114 141 2200	1	Manifold	
37	1114 141 1805	1	Sleeve	

Ignition system

Reference	Item number	Qty	Description	Contains
38	9771 021 2580	1	Hose clip Ø 34x7	
39	1114 120 2201	1	Flange	40, 41
40	0000 953 0806	2	Stud M5x43	
41	0000 988 5204	1	Connector	
42	1114 120 0604	1	Carburetor WT-15A	
43	1119 141 8600	1	Impulse hose 106 mm / 4.2"	
44	9210 260 0700	2	Hexagon nut M5	
45	1114 182 1502	1	Throttle rod	

online version, not for reproduction

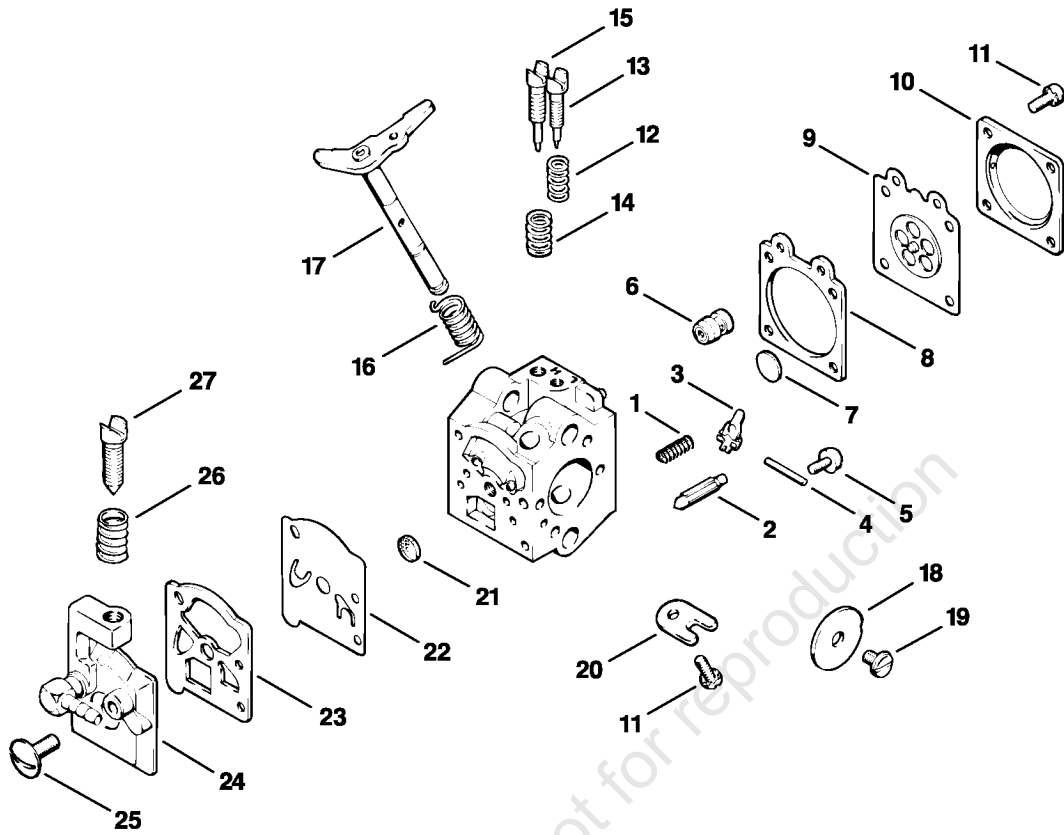


online version, not for reproduction

114ET019 GM

Ignition system (7.93), (36.80)

Reference	Item number	Qty	Description	Contains	Up to
1	* 1114 120 2200	1	Flange	2 - 5	6757060
2	* 0000 953 0806	2	Stud M5x43		6757060
3	* 1114 122 6200	1	Idle speed screw		6757060
4	* 0000 988 5204	1	Connector		6757060
5	* 1114 121 7700	1	Clamp		6757060
6	* 1114 442 7000	1	Contact sleeve		
7	* 1114 405 0805	1	Grommet		
8	* 1113 400 2000	1	Set of points		
9	* 9047 319 0650	2	Pan head screw M4x10		
10	* 1114 404 3405	1	Capacitor		
11	* 1114 440 1105	1	Short circuit wire	6, 7	
12	* 1114 405 0800	1	Grommet		
13	* 1114 404 8100	1	Cover		
14	* 9048 319 0660	1	Pan head screw M4x12		
15	* 1118 400 1001	1	Trigger unit		26518178
16	* 1114 405 8800	1	Hose		26518178
17	* 9041 216 0300	1	Pan head screw M3x4		26518178
18	* 9041 216 0610	1	Pan head screw M4x6		26518178



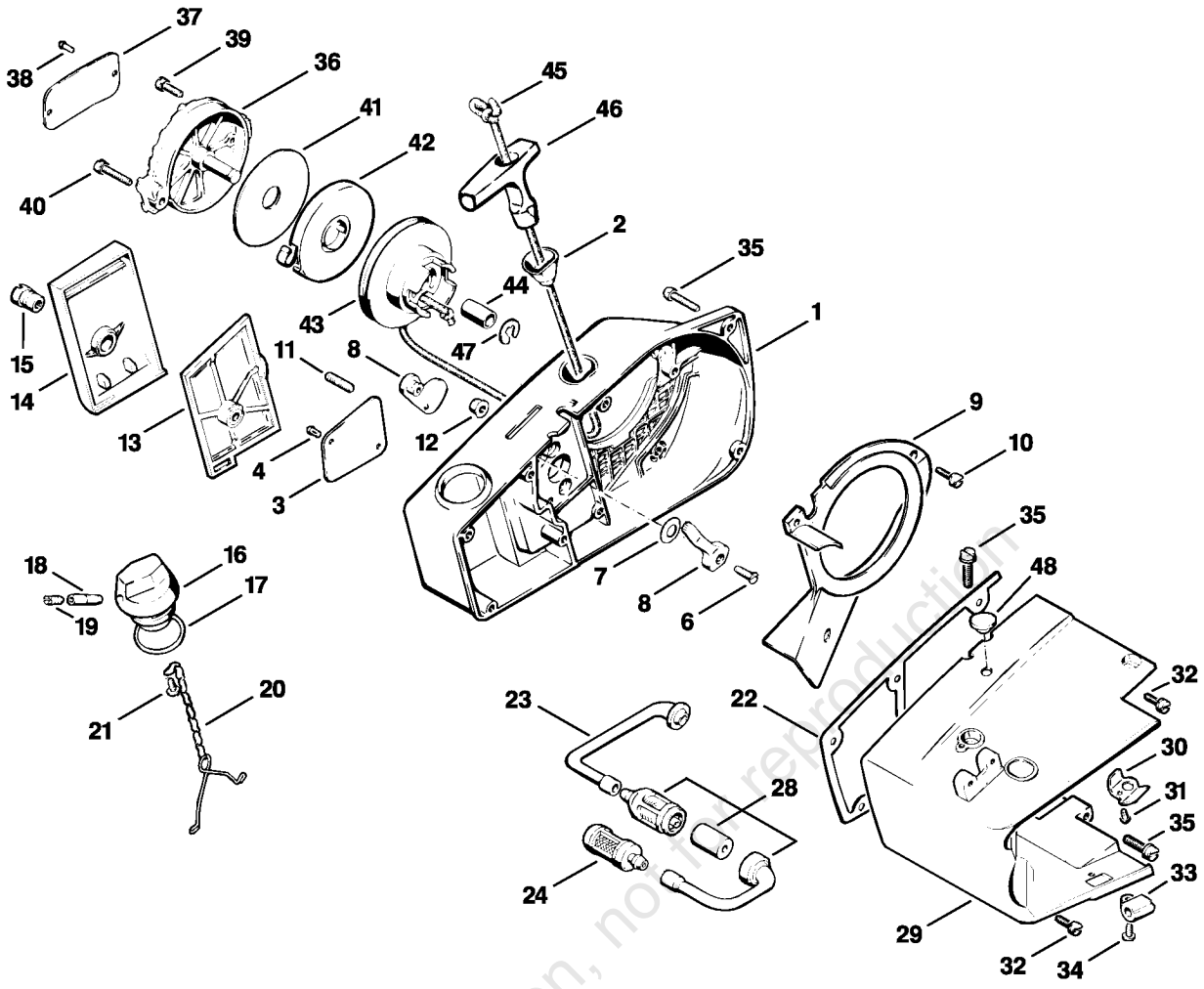
online version, not for reproduction

114ET009 L

Carburetor WT-15

Reference	Item number	Qty	Description	Contains
	1114 120 0604	1	Carburetor WT-15A	1 - 27
1	1114 122 3005	1	Spring	
2	1110 121 5100	1	Inlet needle	
3	1113 121 5000	1	Inlet control lever	
4	1113 121 9200	1	Spindle	
5	1114 122 7400	1	Round head screw	
6	1120 121 5405	1	Valve jet	
7	4117 122 9402	1	Plug	
8	1120 129 0900	1	Gasket	
9	1113 121 4705	1	Metering diaphragm	
10	1114 121 0805	1	End cover	
11	1106 122 7400	5	Round head screw	
12	1110 122 3030	1	Spring	
13	1120 122 6805	1	Low speed screw	
14	1106 122 3000	1	Spring	
15	1120 122 6705	1	High speed screw	
16	1114 122 3200	1	Torsion spring	
17	1114 120 7105	1	Throttle shaft with lever	
18	1114 121 3300	1	Throttle shutter	
19	1110 122 7400	1	Round head screw	
20	1110 122 9300	1	Clip	
21	1114 121 7800	1	Strainer	
22	1121 121 4801	1	Pump diaphragm	
23	1120 129 0905	1	Gasket	
24	1114 121 0812	1	End cover	
25	1114 122 7100	1	Screw	
26	1116 122 3015	1	Spring	
27	1116 122 6200	1	Idle speed screw	

Rewind starter



114ET010 L

Rewind starter

Reference	Item number	Qty	Description	Contains
1	1114 080 1803	1	Fan housing	2
2	1110 084 9102	1	Bushing	
3	1114 967 1509	1	Model plate 020 AVSE	
3	1114 967 1508	1	Model plate 020 AVSEQ	
4	9441 065 1270	2	Round head rivet 2.6x6	
6	9097 021 2400	1	Countersunk screw 3.5x13	
7	9322 630 0180	1	Spring washer 8	
8	1114 007 1006	1	Set of choke shutter	
9	1114 084 7800	1	Segment	
10	9048 319 0660	3	Pan head screw M4x12	
11	0000 953 0800	1	Stud	
12	9216 261 0700	2	Hexagon nut M5	
13	1114 120 1600	1	Air filter	
13	1114 120 1605	1	Air filter, flocked (B)	
14	1114 141 0510	1	Filter cover	
15	1114 141 8300	1	Slotted nut	
16	1114 350 0501	1	Filler cap	17 - 21
17	9645 945 2620	1	O-ring 23x2.5	
18	1110 353 8102	1	Insert	
19	0000 951 5800	1	Grub screw	
20	1117 350 0901	1	Filler cap retainer	
21	9099 021 2360	1	Self-tapping screw 3.5x9.5	
22	1114 359 0700	1	Gasket	
23	1114 358 7700	1	Hose	
24	0000 350 3500	1	Pickup body	
28	1114 007 1014	1	Double pickup body kit (B)	
29	1114 350 0801	1	Tank housing	30, 31
30	1114 353 2200	1	Insulating plate	
31	9441 065 1270	1	Round head rivet 2.6x6	
	0000 967 3541	1	Instruction label (A) USA	
32	9048 319 0660	5	Pan head screw M4x12	
33	1114 432 9205	1	Support	
34	9099 021 2360	1	Self-tapping screw 3.5x9.5	
35	9048 216 1010	5	Pan head screw M5x18	
36	1114 190 0400	1	Starter cover	37, 38
37	0000 967 2020	1	Nameplate STIHL	
38	0000 974 1000	2	Round head rivet 3x6	
39	9048 319 0660	1	Pan head screw M4x12	

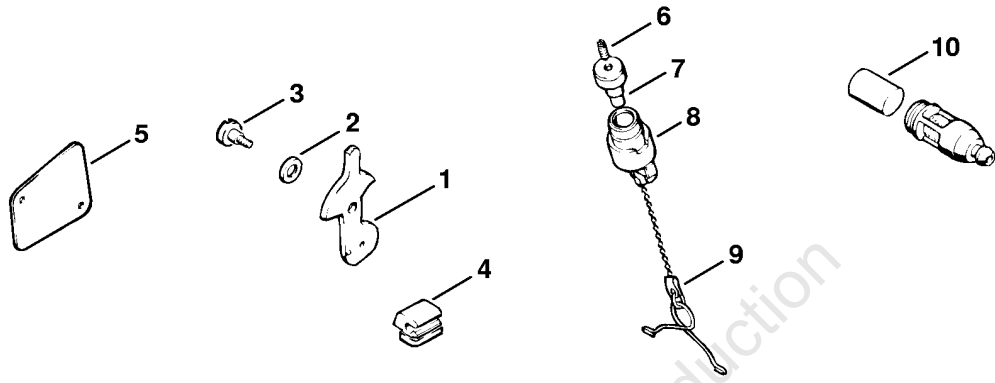
(1) 020

Rewind starter

Reference	Item number	Qty	Description	Contains
40	9048 319 0710	1	Pan head screw M4x20	
41	1114 195 9000	1	Washer	
42	1114 190 0600	1	Rewind spring	
43	1114 190 1005	1	Rope rotor	44
44	0000 963 1001	1	Bushing	
45	1113 195 8200	1	Starter rope Ø 3.5x960 mm	
	0000 930 2203	1	Starter rope Ø 3.5 mm x 30.5 m (A)	
	0000 930 2212	1	Starter rope Ø 3.5 mm x 60.8 m (A)	
46	1121 195 3400	1	Starter grip	
47	9460 624 0700	1	E-clip 7	
48	9302 929 0840	1	Plug 8	
	1114 007 1050	1	Set of gaskets	22

online version, not for reproduction

Rewind starter (2.80), (46.76), (32.74)



online version, not for reproduction

114ET020 GM

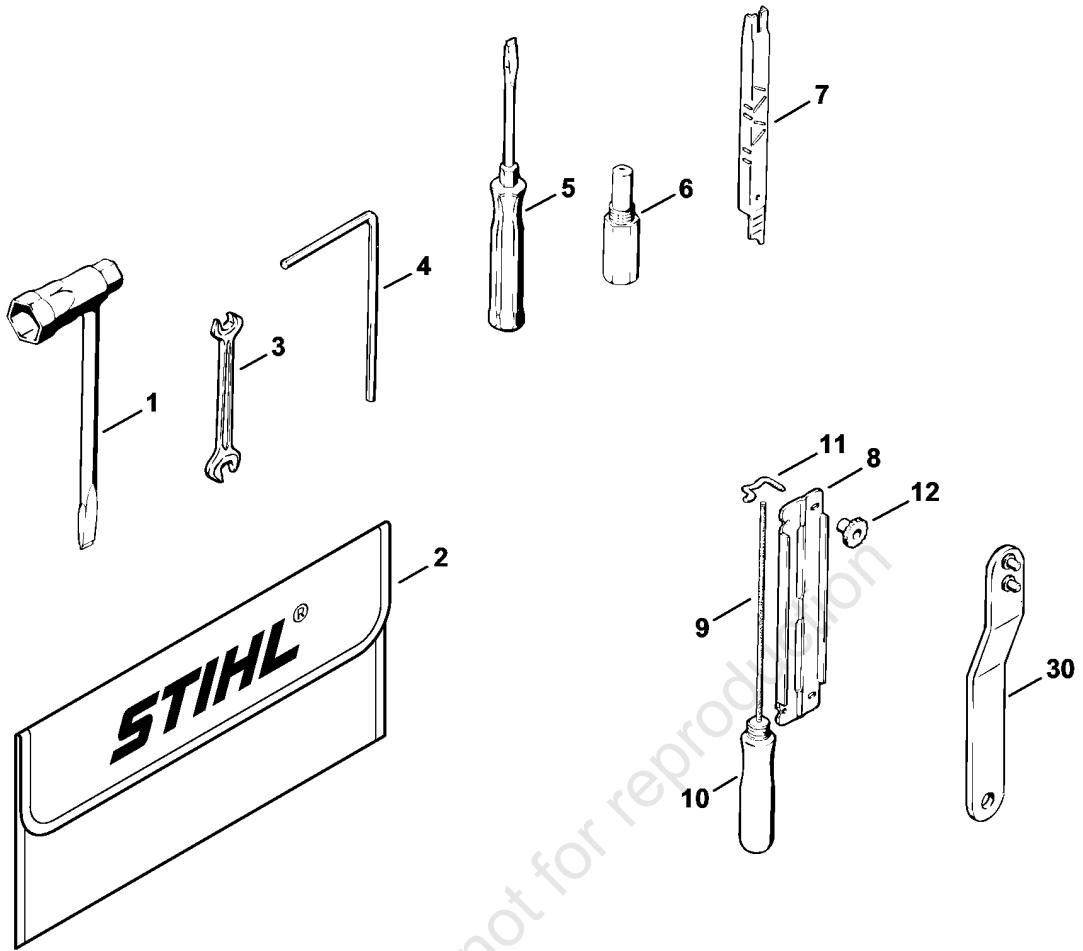
Rewind starter (2.80), (46.76), (32.74)

Reference	Item number	Qty	Description	Up to
1	* 1114 121 2900	1	Choke shutter	8410150
2	* 9322 630 0140	1	Spring washer 6	8410150
3	* 0000 951 1702	1	Spline screw	8410150
4	* 1114 432 9200	1	Support	9771099
5	* 0000 967 1538	1	Model plate 020 AV	6243890
5	* 1114 967 1506	1	Model plate 020 AVS	6243890
5	* 1114 967 1501	1	Model plate 020 AVPSQ	6243890
5	* 1114 967 1502	1	Model plate 020 AVPSE	6243890
5	* 1114 967 1503	1	Model plate 020 AVPSEQ	6243890
6	* 0000 951 5800	1	Grub screw	
7	* 1110 353 8100	1	Insert	
8	* 1110 353 2108	1	Valve body	
9	* 1117 350 0905	1	Filler cap retainer	
10	* 1110 358 1800	1	Filter	

online version, not for reproduction

Handle

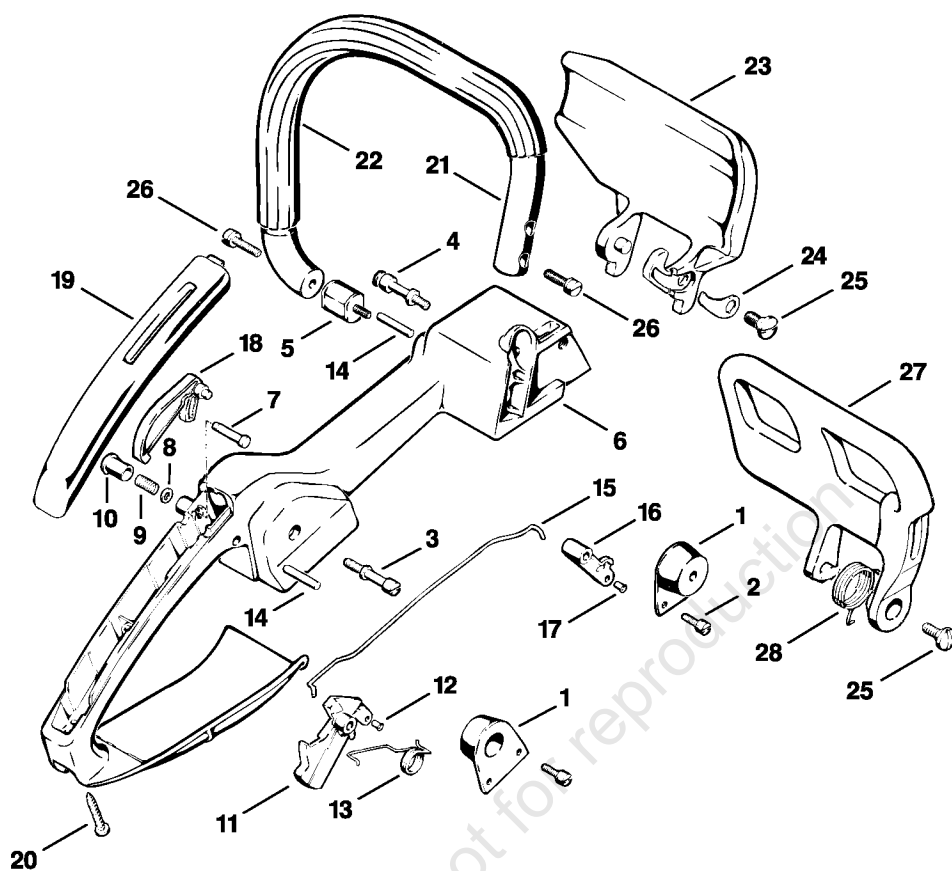
Reference	Item number	Qty	Description
1	1114 790 9900	2	Annular buffer
2	9048 319 0660	4	Pan head screw M4x12
3	1114 791 0301	1	Handle
4	1114 182 1000	1	Throttle trigger
5	0000 973 6600	1	Pin
6	9460 624 0320	2	E-clip 3.2
7	1114 182 8900	1	Pin
8	1114 182 7300	1	Bushing
9	0000 997 0607	1	Compression spring
10	1114 182 9300	1	Starting throttle lock
11	1114 182 0800	1	Lockout lever
12	0000 998 0700	1	Torsion spring
13	1113 791 6110	2	Collar screw
14	1114 790 9605	1	Annular buffer
15	1114 790 1705	1	Handlebar with hose 295 mm / 11 5/8"
16	0000 791 2004	1	Handle hose Ø 18 mm x 5 m / 3/4x197"
17	9048 216 1010	3	Pan head screw M5x18
18	1114 791 0600	1	Handle molding
19	9044 319 0660	1	Pan head screw M4x12
20	1113 792 9104	1	Hand guard
21	1115 792 9105	1	Hand guard
22	0000 998 2200	1	Torsion spring
23	0000 951 2904	1	Oval head screw M6x3.2x12



online version, not for reproduction

Tools, Extras

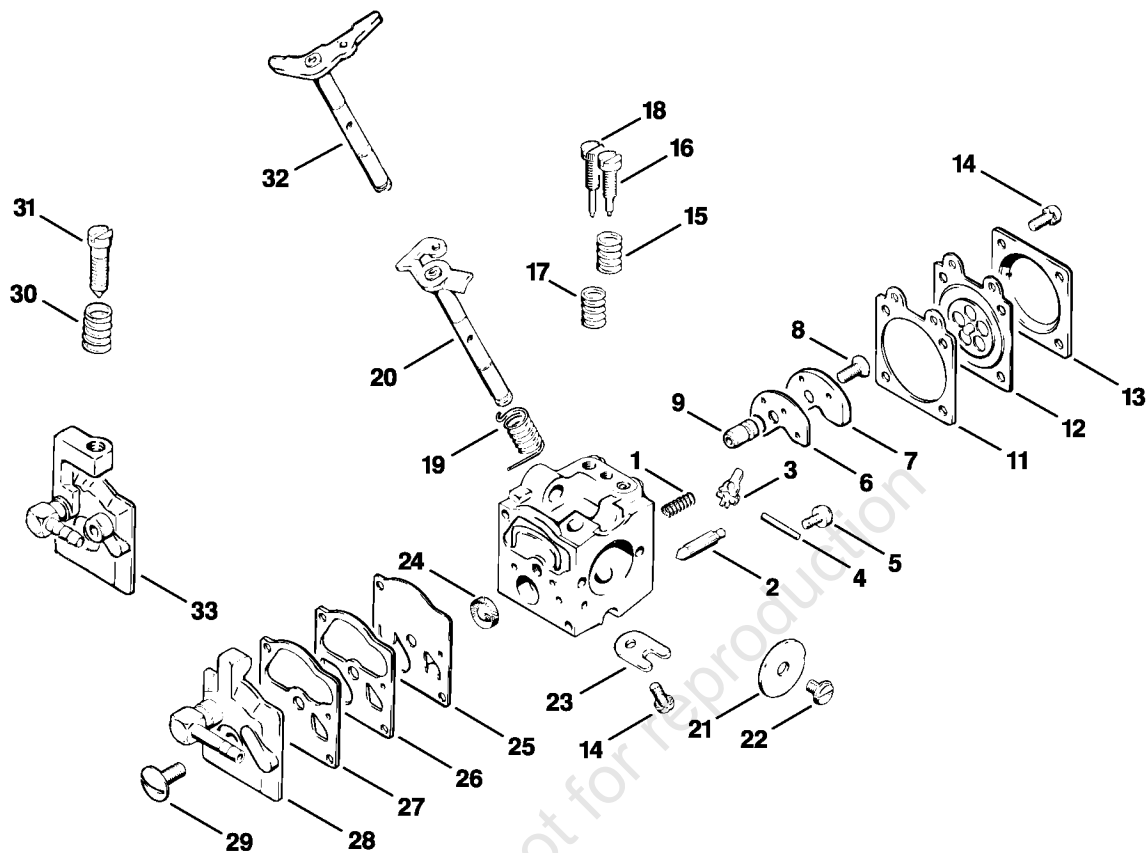
Reference	Item number	Qty	Description	Contains	Up to
		1	Tools:		
1	1114 890 3401	1	Combination wrench		
		1	Extras:		
	1114 890 1400	1	Tool kit	3 - 7	
2	0000 891 0810	1	Tool roll		
3	0811 012 1152	1	Wrench 8x10		
4	0811 270 1080	1	Allen key 4x70x130		
5	0000 890 2300	1	Screwdriver		
6	1107 191 1201	1	Locking screw		
7	1110 893 4000	1	Filing gauge		
8	5605 750 4311	1	File holder	9 - 12	
9	0811 411 8068	1	Round file Ø 3.5x150 mm		
10	0811 490 7780	1	File handle A80		
11	5605 752 8300	2	Bow		
12	5605 752 7700	2	Nut		
	1114 007 1050	1	Set of gaskets (A)		
	1114 007 1060	1	Set of carburetor parts (A)		
	1120 007 1064	1	Set of carburetor parts WT (A)		
	0000 930 2251	1	Ignition lead 10 m (A)		
	0000 930 2207	1	Hose 3.1x5.7 mm x 3 m, R5 (A)		
	0000 930 2203	1	Starter rope Ø 3.5 mm x 30.5 m (A)		
	0000 930 2212	1	Starter rope Ø 3.5 mm x 60.8 m (A)		
30	* 1113 890 3600	1	Wrench		6243890



114ET016 L

Professional-Handle

Reference	Item number	Qty	Description	Contains
1	1114 790 9900	2	Annular buffer	
2	9048 319 0660	4	Pan head screw M4x12	
3	1113 791 6110	1	Collar screw	
4	1117 791 6100	1	Collar screw	
5	1114 790 9605	1	Annular buffer	
	1114 007 1000	1	Attachment kit professional handle	6 - 26
6	1114 791 0305	1	Handle	
7	1113 182 8901	1	Pin	
8	0000 958 0403	1	Washer	
9	0000 997 0603	1	Compression spring	
10	1113 182 9305	1	Starting throttle lock	
11	1114 180 1502	1	Throttle trigger	12
12	9415 415 2240	1	Hollow rivet 3x0.3x5	
13	0000 998 1205	1	Torsion spring	
14	9371 470 2640	2	Cylindrical pin 5x24	
15	1114 182 1503	1	Throttle rod	
16	1114 180 1401	1	Lever	17
17	9415 415 2240	1	Hollow rivet 3x0.3x5	
18	1115 182 0801	1	Lockout lever	
19	1115 791 0601	1	Handle molding	
20	9099 021 0850	1	Self tapping screw 4.8x22	
21	1114 790 1715	1	Handlebar with hose 334 mm / 13 3/16"	
22	0000 791 2004	1	Handle hose Ø 18 mm x 5 m / 3/4x197" (B)	
23	1114 792 9100	1	Hand guard	
24	1114 792 3200	1	Flat spring	
25	0000 951 2904	1	Oval head screw M6x3.2x12	
26	9048 216 1010	3	Pan head screw M5x18	
27	1115 792 9105	1	Hand guard	
28	0000 998 2200	1	Torsion spring	



114ET017 L

Carburetor WA-1, WA-86 (36.80)

Reference	Item number	Qty	Description	Contains	Up to
	* 1114 120 0601	1	Carburetor WA-1D	1 - 29	6757060
	*	1	Carburetor WA-86D (C)	1 - 19, 21 - 27, 29 - 33	6757060
1	* 1114 122 3000	1	Spring		6757060
2	* 1110 121 5100	1	Inlet needle		6757060
3	* 1113 121 5000	1	Inlet control lever		6757060
4	* 1113 121 9200	1	Spindle		6757060
5	* 1114 122 7400	1	Round head screw		6757060
6	* 1113 129 0905	1	Gasket		6757060
7	* 1114 121 7401	1	Plate		6757060
8	* 1114 122 7900	1	Countersunk screw		6757060
9	* 1114 121 5400	1	Valve jet		6757060
11	* 1113 129 0900	1	Gasket		6757060
12	* 1113 121 4705	1	Metering diaphragm		6757060
13	* 1114 121 0805	1	End cover		6757060
14	* 1106 122 7400	5	Round head screw		6757060
15	* 1110 122 3030	1	Spring		6757060
16	* 1120 122 6800	1	Low speed screw		6757060
17	* 1106 122 3000	1	Spring		6757060
18	* 1120 122 6701	1	High speed screw		6757060
19	* 1114 122 3200	1	Torsion spring		6757060
20	* 1114 120 7100	1	Throttle shaft with lever		6757060
21	* 1114 121 3300	1	Throttle shutter		6757060
22	* 1110 122 7400	1	Round head screw		6757060
23	* 1110 122 9300	1	Clip		6757060
24	* 1114 121 7800	1	Strainer		6757060
25	* 1114 121 4800	1	Pump diaphragm		6757060
26	* 1114 129 0900	1	Gasket		6757060
27	* 1114 121 4600	1	Suction chamber diaphragm		6757060
28	* 1114 121 0810	1	End cover		6757060
29	* 1114 122 7100	1	Screw		6757060
30	* 1116 122 3015	1	Spring		6757060
31	* 1116 122 6200	1	Idle speed screw		6757060
32	* 1114 120 7105	1	Throttle shaft with lever		6757060
33	* 1114 121 0811	1	End cover		6757060
	* 1114 007 1060	1	Set of carburetor parts	6, 11, 12, 25, 26	6757060