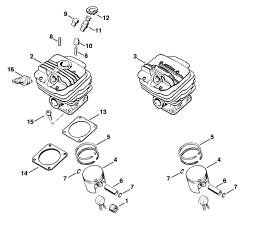
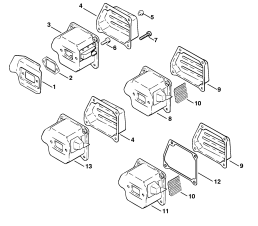


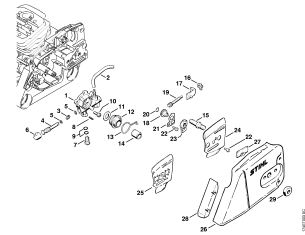
Crankcase



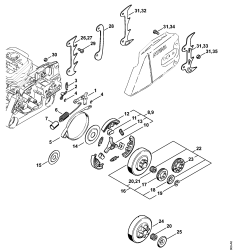
Cylinder



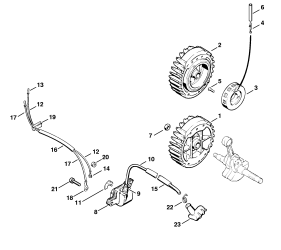
Muffler



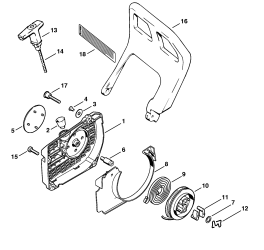
Oil pump, Chain tensioner kit



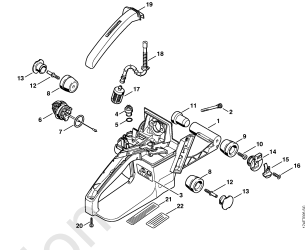
Chain brake, Clutch



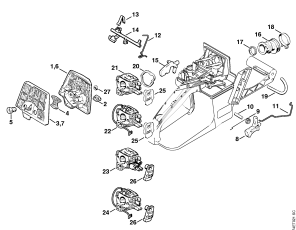
Ignition system



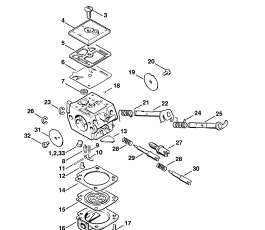
Rewind starter



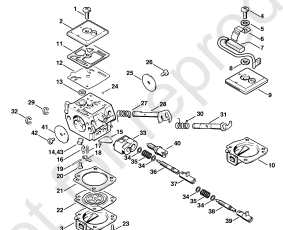
Tank housing, AV-System



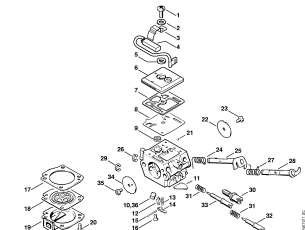
Air filter, Throttle control



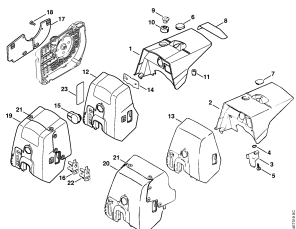
Carburetor C3A-S31, C3A-S65



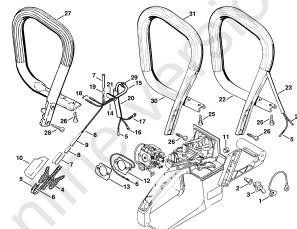
Carburetor C3A-S39, C3A-S52



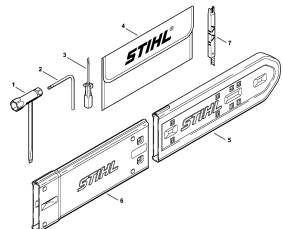
Carburetor C3A-S27



Shroud, Carburetor box cover



Heating, Handlebar



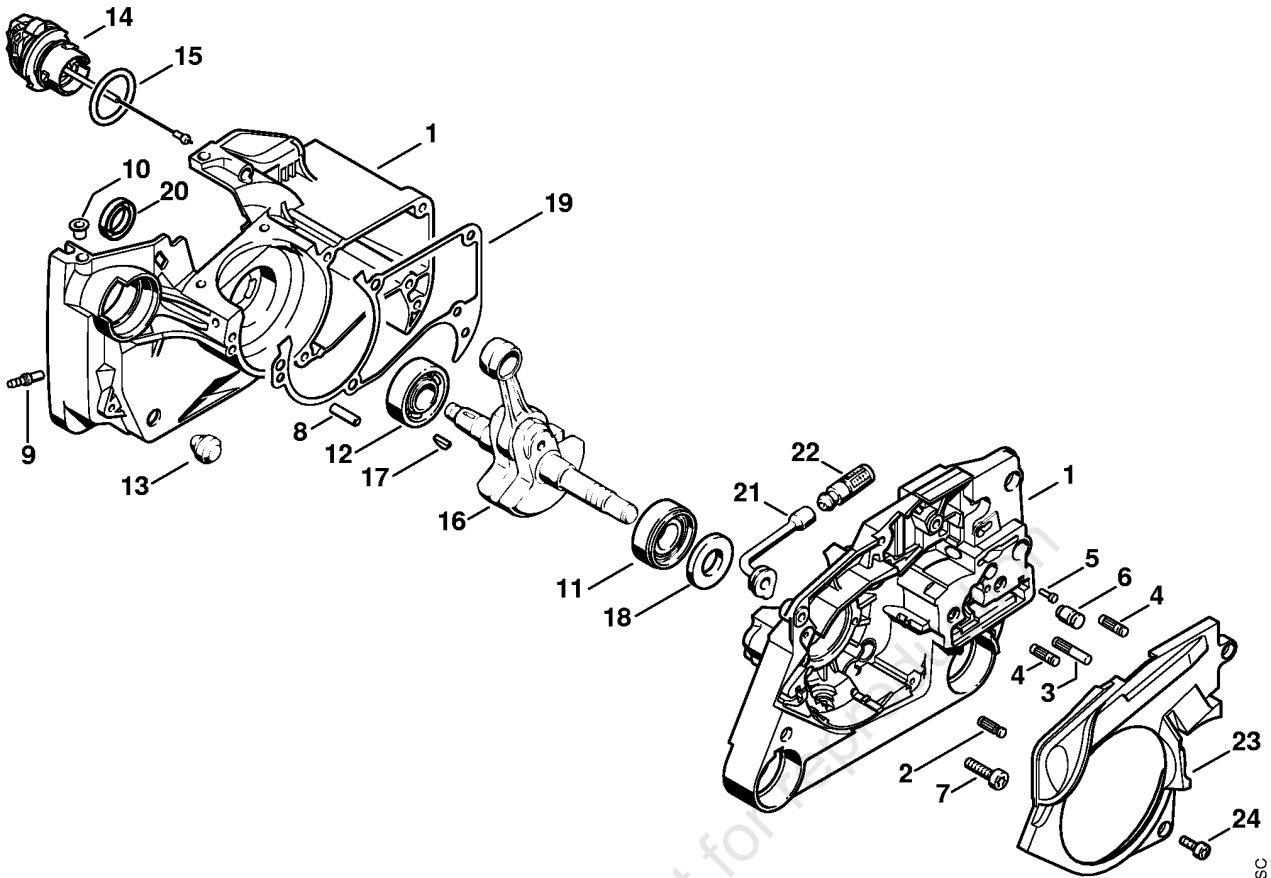
Tools, Extras

## MS 360

Description	Technical Information
Crankcase	
Cylinder	
Muffler	
Oil pump, Chain tensioner kit	
Chain brake, Clutch	
Ignition system	
Rewind starter	
Tank housing, AV-System	
Air filter, Throttle control	
Carburetor C3A-S31, C3A-S65	
Carburetor C3A-S39, C3A-S52	
Carburetor C3A-S27	
Shroud, Carburetor box cover	
Heating, Handlebar	
Tools, Extras	

online version, not for reproduction

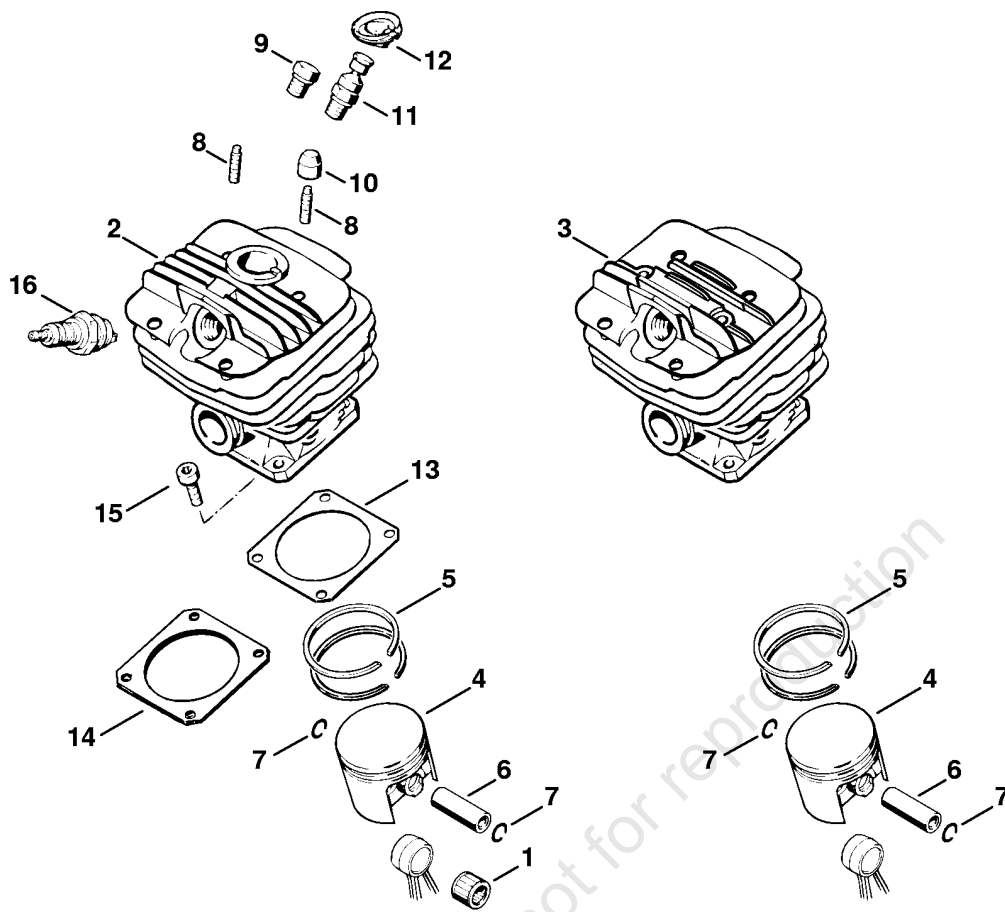
**Crankcase**



174ET000 SC

## Crankcase

Reference	Item number	Qty	Description	Contains	Technical Information
1	1125 020 2120	1	Crankcase	2 - 13	
2	1120 162 5200	1	Pin		
3	1121 162 5205	1	Pin		
4	1121 162 5200	2	Pin		
5	0000 974 1200	1	Notched pin 2.6x8		
6	1128 640 9100	1	Valve		
7	9022 371 1020	5	Spline screw IS-M5x20		
8	9371 470 2610	2	Cylindrical pin 5x18		
9	0000 988 5211	1	Connector		
10	9416 868 6531	2	Hollow rivet 6.5x0.5x6.8		
11	9523 003 4266	1	Grooved ball bearing 15x35x13		
12	9503 003 0346	1	Grooved ball bearing 6202		
13	1125 791 2810	1	Stop buffer		
14	0000 350 0537	1	Filler cap	15	
15	9645 948 2470	1	O-ring 23x3		
16	1125 030 0407	1	Crankshaft	17	25.2005
17	1120 036 8500	1	Woodruff key 2x3.7		
18	9640 003 1600	1	Oil seal 15x29.6x4		
19	1125 029 0500	1	Gasket		
20	9640 003 1190	1	Oil seal 12x20x5		
21	1122 647 9400	1	Hose		
22	1117 640 3800	1	Pickup body		
23	1125 021 1101	1	Cover		
24	9022 313 0660	3	Spline screw IS-M4x12		
	1125 007 1050	1	Set of gaskets	18 - 20	
	1125 007 1053	1	Set of gaskets available in Brazil only	19	

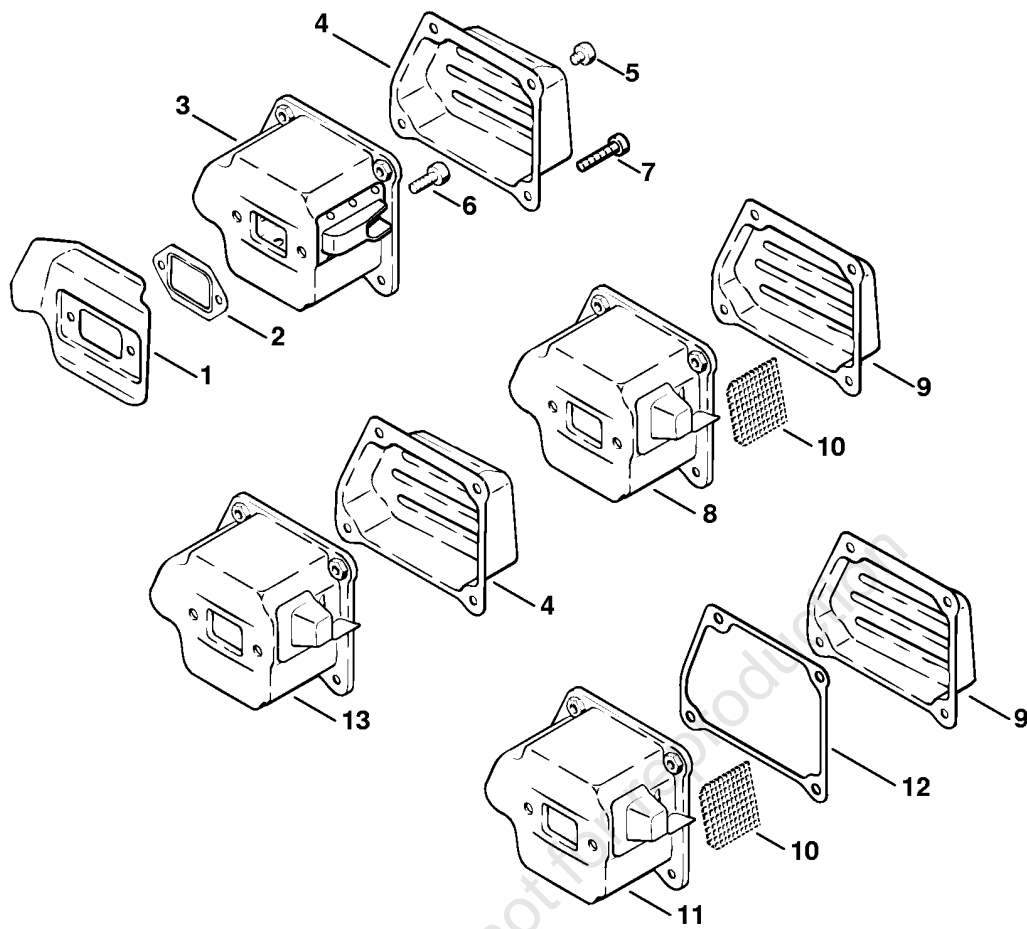


174ET022 SC

## Cylinder

Reference	Item number	Qty	Description	Contains
1	9512 003 2340	1	Needle cage 10x14x13	
2	1125 020 1215	1	Cylinder with piston Ø 48 mm (1,2,4,5,6)	4 - 9
3	1125 020 1206	1	Cylinder with piston Ø 48 mm (3)	4 - 7
4	1125 030 2001	1	Piston Ø 48 mm	5 - 7
5	1125 034 3001	2	Piston ring Ø 48x1.2 mm	
6	1125 034 1500	1	Piston pin 10x6x32	
7	9463 650 1000	2	Snap ring 10	
8	0000 953 0818	2	Stud M5	
9	1122 025 2200	1	Plug	
10	1121 084 7100	1	Cap	
11	1128 020 9400	1	Decompression valve	
12	1122 084 1405	1	Cover	
13	1119 029 2301	1	Cylinder gasket 0.5 mm	
14	1125 029 2301	1	Cylinder gasket 1 mm low compression (1)	
15	9022 371 1020	4	Spline screw IS-M5x20	
16	1110 400 7005	1	Spark plug Bosch WSR 6 F	
16	0000 400 7000	1	Spark plug NGK BPMR7A	
	1125 007 1050	1	Set of gaskets	13
	1125 007 1053	1	Set of gaskets available in Brazil only	13

(1) MS 360, (2) MS 360 Arctic, (3) MS 360 BR, (4) MS 360 Pro, (5) MS 360 W, (6) MS 360 WVH



174ET023 SC

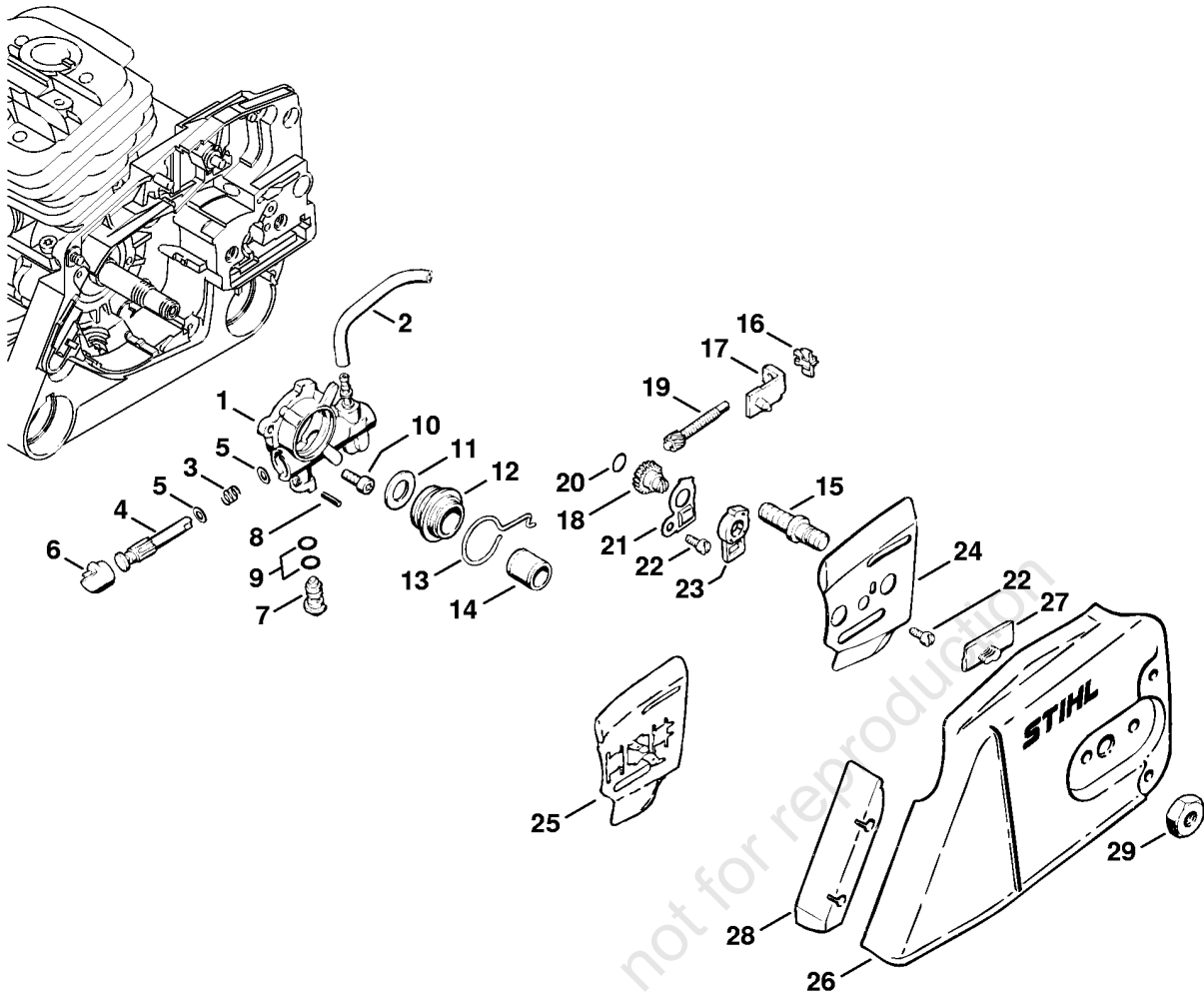
(1) MS 360, (2) MS 360 Arctic, (3) MS 360 BR, (4) MS 360 Pro, (5) MS 360 W, (6) MS 360 WVH

## Muffler

Reference	Item number	Qty	Description	Contains
1	1125 141 3200	1	Cooling plate	
2	1125 149 0601	1	Muffler gasket	
3	1125 140 0607	1	Muffler (1,5,6)	4
4	1125 145 0804	1	Exhaust casing (1,3,5,6)	
5	9022 341 0910	2	Spline screw IS-M5x6	
6	9022 341 0980	2	Spline screw IS-M5x16	
7	9022 371 1050	2	Spline screw IS-M5x25	
8	1125 140 0609	1	Muffler AUS	9, 10
9	1125 145 0805	1	Exhaust casing AUS (2,4)	
10	1125 141 9001	1	Screen AUS (2,4)	
11	1125 140 0614	1	Muffler (2,4)	9, 10
12	1125 149 0500	1	Gasket (2,4)	
13	1125 140 0611	1	Muffler (3)	4
	1125 007 1050	1	Set of gaskets	2
	1125 007 1053	1	Set of gaskets available in Brazil only	2



**Oil pump, Chain tensioner kit**

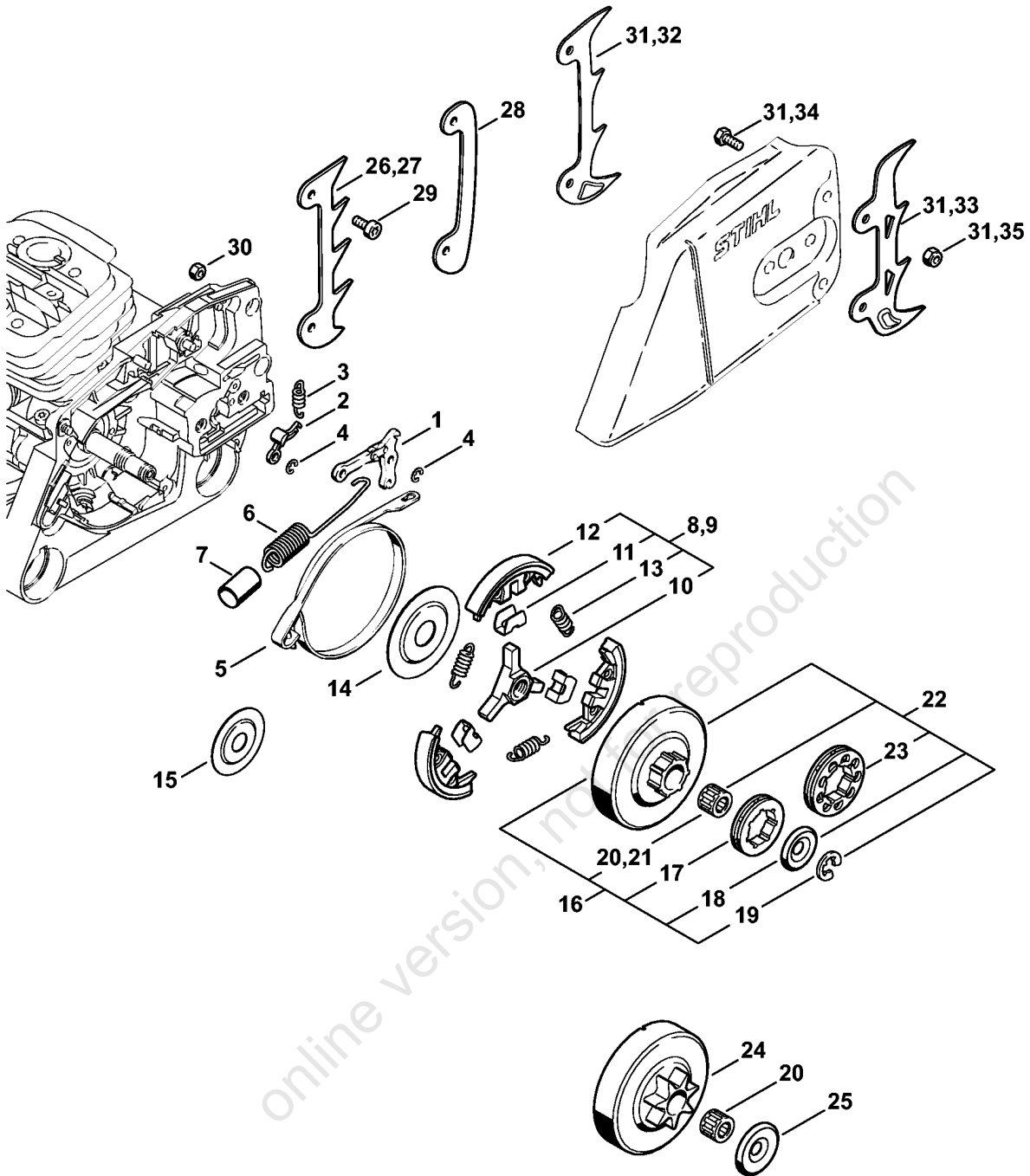


(1) MS 360, (2) MS 360 Arctic, (3) MS 360 BR, (4) MS 360 Pro, (5) MS 360 W, (6) MS 360 WVH

## Oil pump, Chain tensioner kit

Reference	Item number	Qty	Description	Contains
	1125 640 3201	1	Oil pump	1 - 9
1	1125 640 3001	1	Pump housing	
	1124 007 1010	1	Oil hose kit	2
2		1	Oil hose 3,1x5,7x300 mm (D)	
3	0000 997 0629	1	Compression spring	
4	1125 647 0604	1	Pump piston	
5	0000 958 0611	2	Washer	
6	1125 647 7002	1	Plug	
7	1128 647 4806	1	Control bolt	
8	9380 620 1090	1	Roll pin 2x10	
9	9646 945 0160	2	O-ring 4x2	
10	9022 313 0660	2	Spline screw IS-M4x12	
11	1125 647 7800	1	Washer	
12	1125 640 7110	1	Worm	13
13	1125 647 2400	1	Spring	
14	0000 993 0510	1	Ring	
15	0000 953 6605	2	Collar screw M8	
16	1125 664 1400	1	Thrust pad	
17	1125 640 1900	1	Tensioner slide	
	1125 007 1021	1	Spur gear / chain adjusting screw kit	18 - 20
18		1	Spur gear (D)	
19		1	Adjusting screw (D)	
20	9646 945 0490	1	O-ring 7x1.5	
21	1122 664 2200	1	Cover plate	
22	9041 216 0630	2	Pan head screw M4x8	
23	1122 664 4500	1	Support	
24	1122 664 1000	1	Inner side plate 0.5 mm	
25	1122 664 1001	1	Inner side plate (B)	
26	1125 640 1701	1	Chain sprocket cover	27, 28
27	1121 648 6610	2	Bumper strip	
28	1125 656 1501	1	Guard	
29	0000 955 0801	2	Hexagon nut M8	

(1) MS 360, (2) MS 360 Arctic, (3) MS 360 BR, (4) MS 360 Pro, (5) MS 360 W, (6) MS 360 WVH



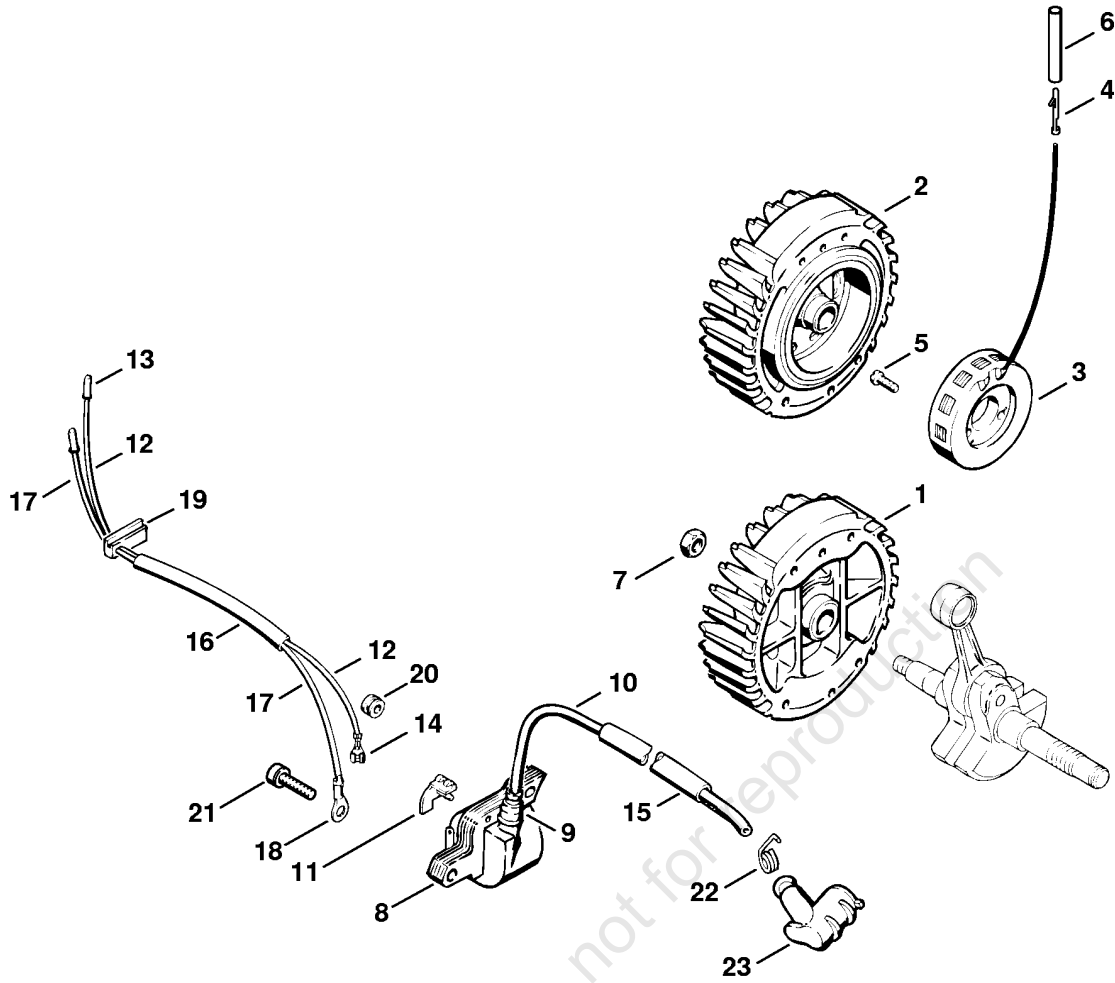
(1) MS 360, (2) MS 360 Arctic, (3) MS 360 BR, (4) MS 360 Pro, (5) MS 360 W, (6) MS 360 WVH

1125-GET-0000-A0

## Chain brake, Clutch

Reference	Item number	Qty	Description	Contains
1	1121 160 5000	1	Lever	
2	1121 162 5010	1	Lever	
3	0000 997 0628	1	Spring	
4	9460 624 0400	2	E-clip 4	
5	1125 160 5400	1	Brake band	
6	1121 160 5500	1	Tension spring	7
7	1125 162 8002	1	Hose 20 mm / 13/16"	
8	1125 160 2052	1	Clutch	9 - 14
9	1125 160 2006	1	Clutch	10 - 13
10	1125 162 3202	1	Carrier	
11	1128 162 3000	3	Retainer	
12	1128 162 0807	3	Clutch shoe	
13	0000 997 5815	3	Tension spring	
14	1128 162 1001	1	Cover washer 58 mm / 2 5/16"	
15	* 1128 162 1000	1	Cover washer 43 mm / 1 3/4"	
16	1125 007 1041	1	Rim sprocket kit 3/8" 7T	17 - 20
17	0000 642 1223	1	Rim sprocket 3/8" 7T	
18	0000 958 1022	1	Washer Ø 27 mm	
19	9460 624 0801	1	E-clip 8x1.3	
20	9512 933 2380	1	Needle cage 10x16x12 (1,3,4,5,6)	
21	9512 933 2381	1	Needle cage 10x16x12 (2)	
22	1125 007 1003	1	Rim sprocket kit 0.325" 9T Skand.	18 - 20, 23
23	0000 642 1239	1	Rim sprocket 0.325" 9T Skand.	
24	1125 640 2006	1	Chain sprocket 3/8" 7T TR	
25	0000 958 1022	1	Washer Ø 27 mm TR	
26	1110 664 0501	1	Bumper spike (1,2,4,5,6)	
27	1128 664 0500	1	Bumper spike (3)	
28	0000 664 0700	1	Limit stop (B)	
29	9022 341 0960	2	Spline screw IS-M5x12	
30	9214 320 0700	1	Lock nut M5	
31	0000 660 0800	1	Bumper spike (B)	
32	1142 664 0500	1	Bumper spike (B)	
33	1141 664 0501	1	Bumper spike (B)	
34	9008 345 0960	2	Hexagon head screw M5x12 (B)	
35	9214 320 0700	2	Lock nut M5 (B)	

(1) MS 360, (2) MS 360 Arctic, (3) MS 360 BR, (4) MS 360 Pro, (5) MS 360 W, (6) MS 360 WVH



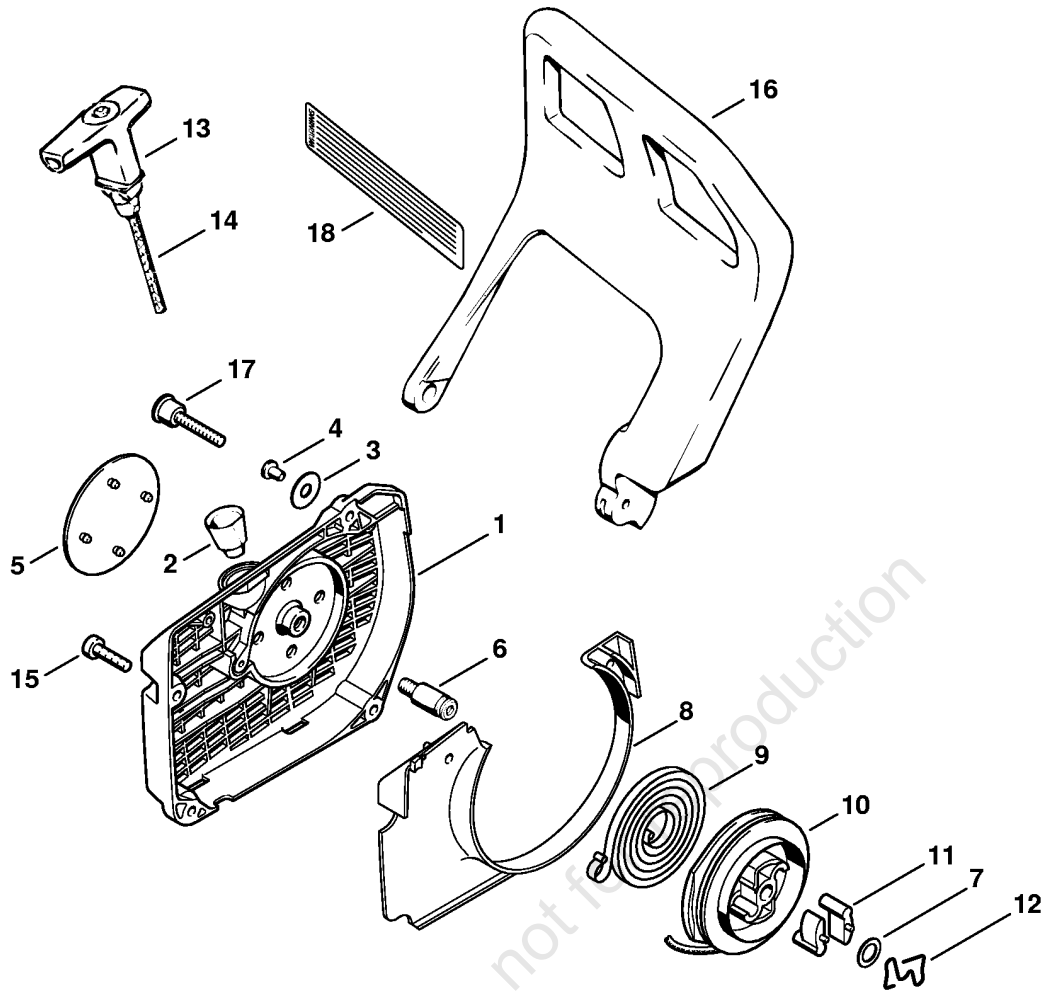
174ET005 SC

## Ignition system

Reference	Item number	Qty	Description	Contains	Technical Information
1	1125 400 1202	1	Flywheel (1,3,4)		25.2005
2	1125 400 1208	1	Flywheel (2,5,6)		25.2005
3	1128 404 3500	1	Generator (2,5,6)	4	
4	1118 431 6600	1	Terminal pin (C) (2,5,6)		
5	9041 216 0540	1	Pan head screw M3.5x12 (2,5,6)		
6	1121 442 0402	3	Insulating hose 35 mm / 1.4" (2,5,6)		
7	0000 955 0802	1	Collar nut M8x1		
8	0000 400 1300	1	Ignition module	9 - 11	
9	0000 989 1010	1	Grommet		
10		1	Ignition lead 195 mm		
	0000 405 0600	1	Ignition lead 1 m (B)		
	0000 930 2251	1	Ignition lead 10 m		
11	0000 448 1250	1	Lead retainer		
12	1125 440 1100	1	Short circuit wire 270 mm / 10.6" (1,3,4,5)	13, 14	
13	1119 442 7000	1	Contact sleeve (C) (1,3,4,5)		
14	0751 030 8953	1	Terminal socket 4.8-1 (C) (1,3,4,5)		
15	1117 442 0905	1	Insulating hose 110 mm / 4.3"		
16	1125 442 0400	1	Insulating hose 120 mm / 4.7"		
17	1125 440 2200	1	Ground wire	13, 18	
18	0751 030 8969	1	Terminal socket A5-1.5 (C)		
	0751 010 1110	1	Cable 10 m (B)		
19	1125 123 7500	1	Grommet		
20	1125 084 8900	1	Grommet		
21	9022 341 1019	2	Spline screw IS-M5x20		
22	0000 998 0604	1	Spark plug contact spring		
23	1128 405 1000	1	Spark plug boot		

(1) MS 360, (2) MS 360 Arctic, (3) MS 360 BR, (4) MS 360 Pro, (5) MS 360 W, (6) MS 360 WVH

**Rewind starter**



174ET025 SC

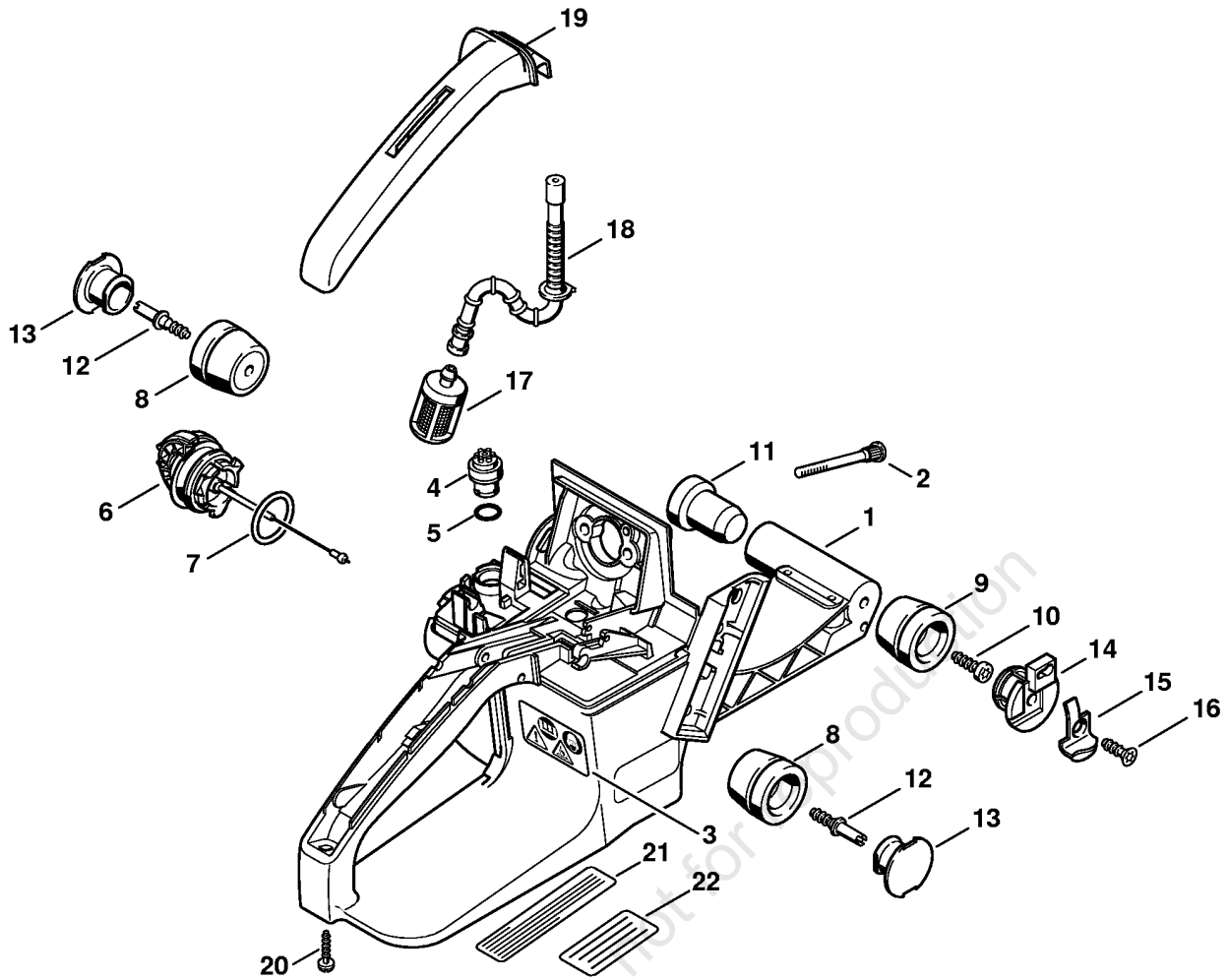
## Rewind starter

Reference	Item number	Qty	Description	Contains
	1125 080 2105	1	Fan housing with rewind starter	1 - 14
1	1125 080 1830	1	Fan housing	2 - 8
2	1110 084 9102	1	Bushing	
3	0000 958 0601	1	Washer	
4	9416 868 6530	1	Hollow rivet 6.5x0.5x6.8	
5	1125 967 1510	1	Model plate MS 360	
6	1128 080 6500	1	Axle	7
7	0000 958 0923	1	Washer	
8	1125 084 7801	1	Segment	
9	1129 190 0601	1	Rewind spring	
10	1128 195 0400	1	Rope rotor	
11	1125 195 7200	2	Pawl	
12	1128 195 3500	1	Spring	
13	1128 190 3400	1	Starter grip ElastoStart Ø 3,5 mm	14
14	1128 190 2900	1	Starter rope Ø 3.5 mm	
	0000 930 2267	1	Starter rope Ø 3.5 mm / 28 pieces (B)	
15	9022 371 1020	3	Spline screw IS-M5x20	
16	1125 792 9100	1	Hand guard	
17	0000 790 6103	1	Screw assy. M5	
18	0000 967 3630	1	Instruction label USA (2,4)	

(1) MS 360, (2) MS 360 Arctic, (3) MS 360 BR, (4) MS 360 Pro, (5) MS 360 W, (6) MS 360 WVH



**Tank housing, AV-System**



174ET026 SC

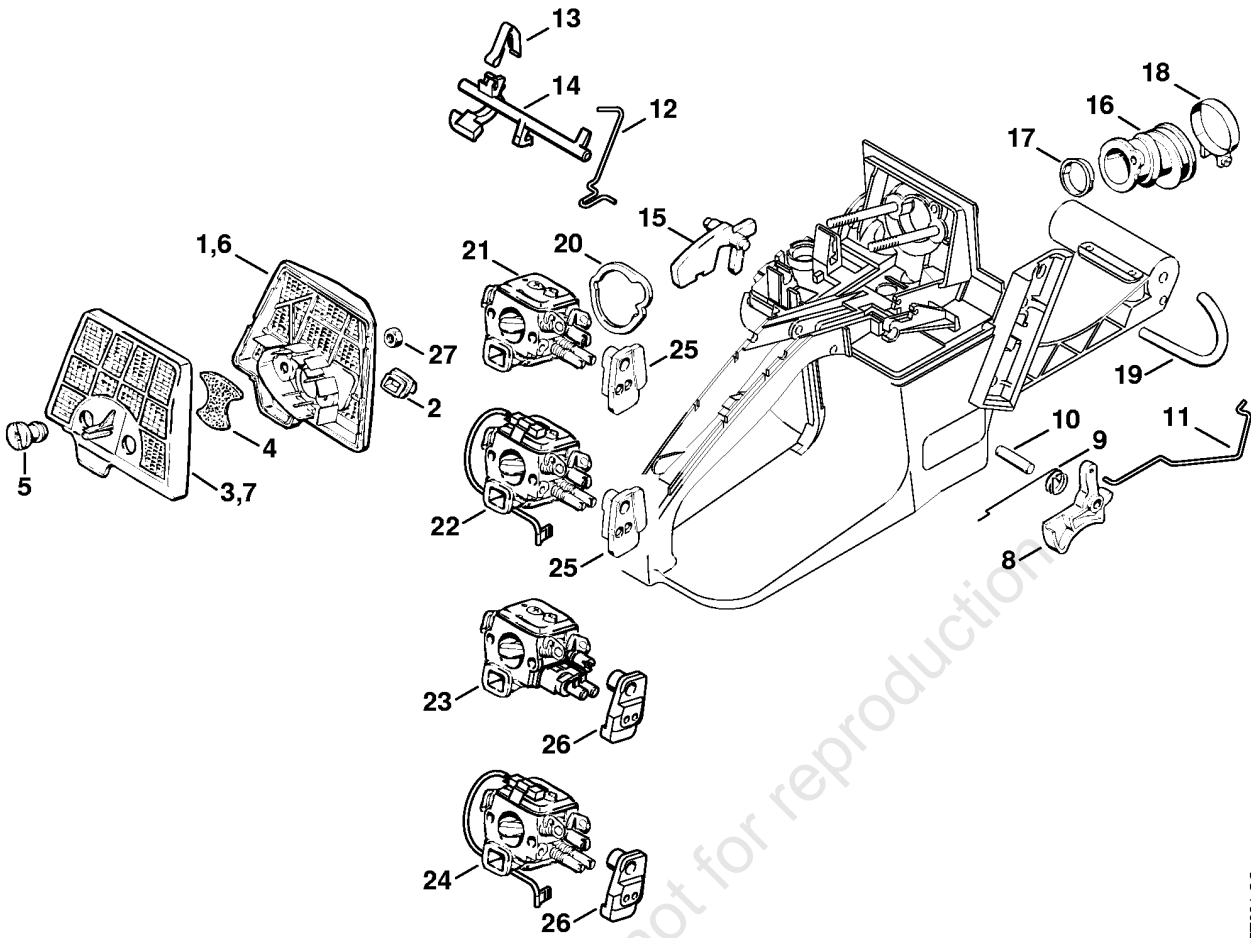
(1) MS 360, (2) MS 360 Arctic, (3) MS 360 BR, (4) MS 360 Pro, (5) MS 360 W, (6) MS 360 WVH

## Tank housing, AV-System

Reference	Item number	Qty	Description	Contains
1	1125 350 0818	1	Tank housing	2 - 7
2	4116 122 6600	2	Collar screw	
3	0000 967 3662	1	Warning pictogram MS	
4	0000 350 5800	1	Tank vent	5
5		1	O-ring (D)	
6	0000 350 0533	1	Filler cap	7
7	9645 948 7734	1	O-ring 25x3.5	
		1	AV system normal:	
8	1125 790 9904	2	Annular buffer 1125/04	
9	1125 790 9906	1	Annular buffer 1125/06	
		1	AV system hard:	
8	1125 790 9910	2	Annular buffer 1125/10	
9	1125 790 9904	1	Annular buffer 1125/04	
		1	AV system soft:	
8	1125 790 9906	2	Annular buffer 1125/06	
9	1125 790 9906	1	Annular buffer 1125/06	
10	9074 478 4435	1	Pan head self-tapping screw IS-P6x19	
11	1125 791 2805	1	Stop buffer	
12	1125 791 6200	2	Screw	
13	1125 791 7306	2	Plug	
14	1125 791 7300	1	Plug	
15	1125 650 7700	1	Chain catcher	16
16	9104 003 3065	1	Self-tapping screw P6.3x18	
17	0000 350 3518	1	Pickup body	
18	1127 358 7703	1	Hose	
19	1121 791 0600	1	Handle molding	
20	9074 478 3076	1	Pan head self-tapping screw IS-P4x19	
21	0000 967 3500	1	Instruction label USA (4)	
22		1	Instruction label (C) BR (3)	

(1) MS 360, (2) MS 360 Arctic, (3) MS 360 BR, (4) MS 360 Pro, (5) MS 360 W, (6) MS 360 WVH

**Air filter, Throttle control**



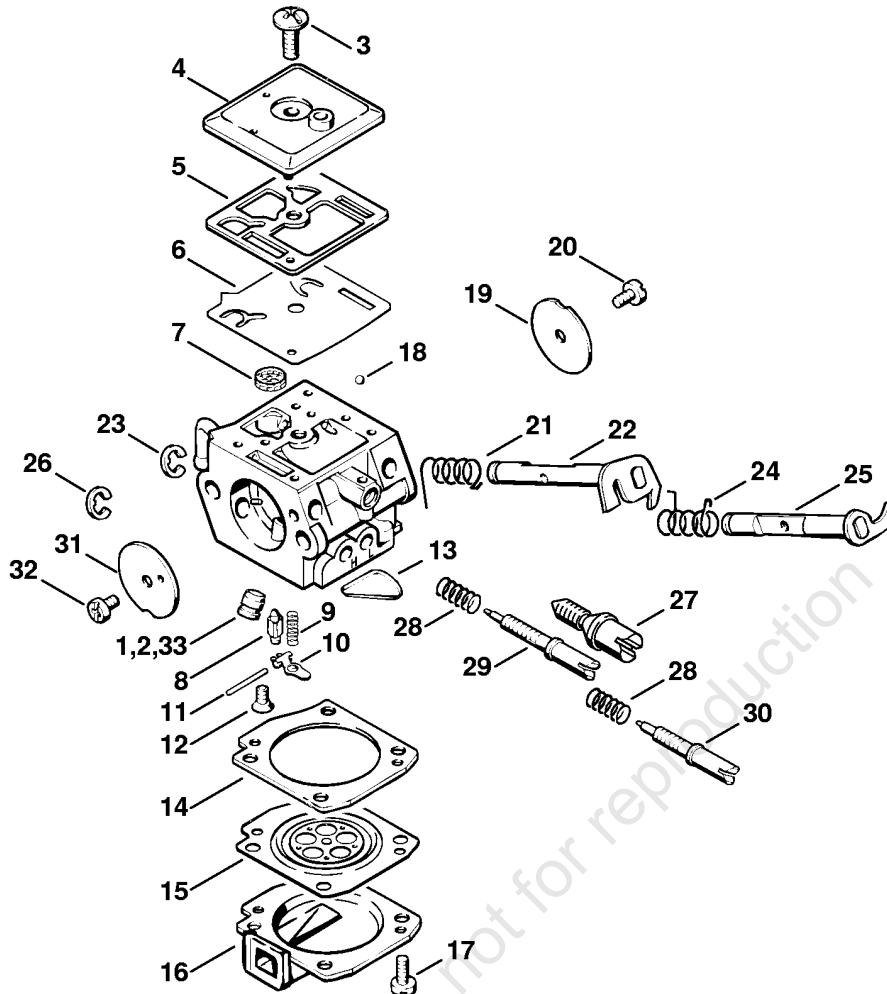
174ET021 SC

## Air filter, Throttle control

Reference	Item number	Qty	Description	Contains
	1125 120 1612	1	Air filter (1,2,3,5,6)	1 - 5
1	1125 120 1602	1	Air filter (1,2,3,5,6)	2
2	1125 121 9100	1	Bushing	
3	1125 120 1607	1	Air filter (1,2,3,5,6)	4
4	1125 122 4900	1	Filter insert	
5	1125 141 8300	2	Slotted nut	
	1125 120 1626	1	Air filter, fleece (4)	2, 4 - 7
6	1125 120 1617	1	Air filter, fleece (4)	2
7	1125 120 1622	1	Air filter, fleece (4)	4
8	1118 182 1006	1	Throttle trigger	
9	1117 182 4500	1	Torsion spring	
10	9371 470 2640	1	Cylindrical pin 5x24	
11	1125 182 1502	1	Throttle rod	
12	1125 185 2002	1	Choke rod	
13	1125 442 1601	1	Contact spring	
14	1125 182 0901	1	Switch shaft	
15	1117 182 0805	1	Lockout lever	
16	1125 141 2200	1	Manifold	
17	1119 141 1800	1	Sleeve	
18	9771 021 2580	1	Hose clip Ø 34x7	
19		1	Hose 3.1x6.7x102 mm (D)	
	0000 930 2804	1	Hose 3.1x6.7 mm x 1 m (A,B)	
20	1119 121 8600	1	Washer	
21	1125 120 0613	1	Carburetor C3A-S31G (1,5)	
21	1125 120 0614	1	Carburetor C3A-S65B (3)	
22	1125 120 0609	1	Carburetor C3A-S27D (6)	
23	1125 120 0615	1	Carburetor C3A-S39C (4)	
24	1125 120 0612	1	Carburetor C3-S52 (2)	
25	1125 123 7506	1	Grommet (1,3,5,6)	
26	1125 123 7501	1	Grommet (2,4)	
27	9210 260 0700	2	Hexagon nut M5	

(1) MS 360, (2) MS 360 Arctic, (3) MS 360 BR, (4) MS 360 Pro, (5) MS 360 W, (6) MS 360 WVH

**Carburetor C3A-S31, C3A-S65**



online version, not for reproduction

174ET018 SC

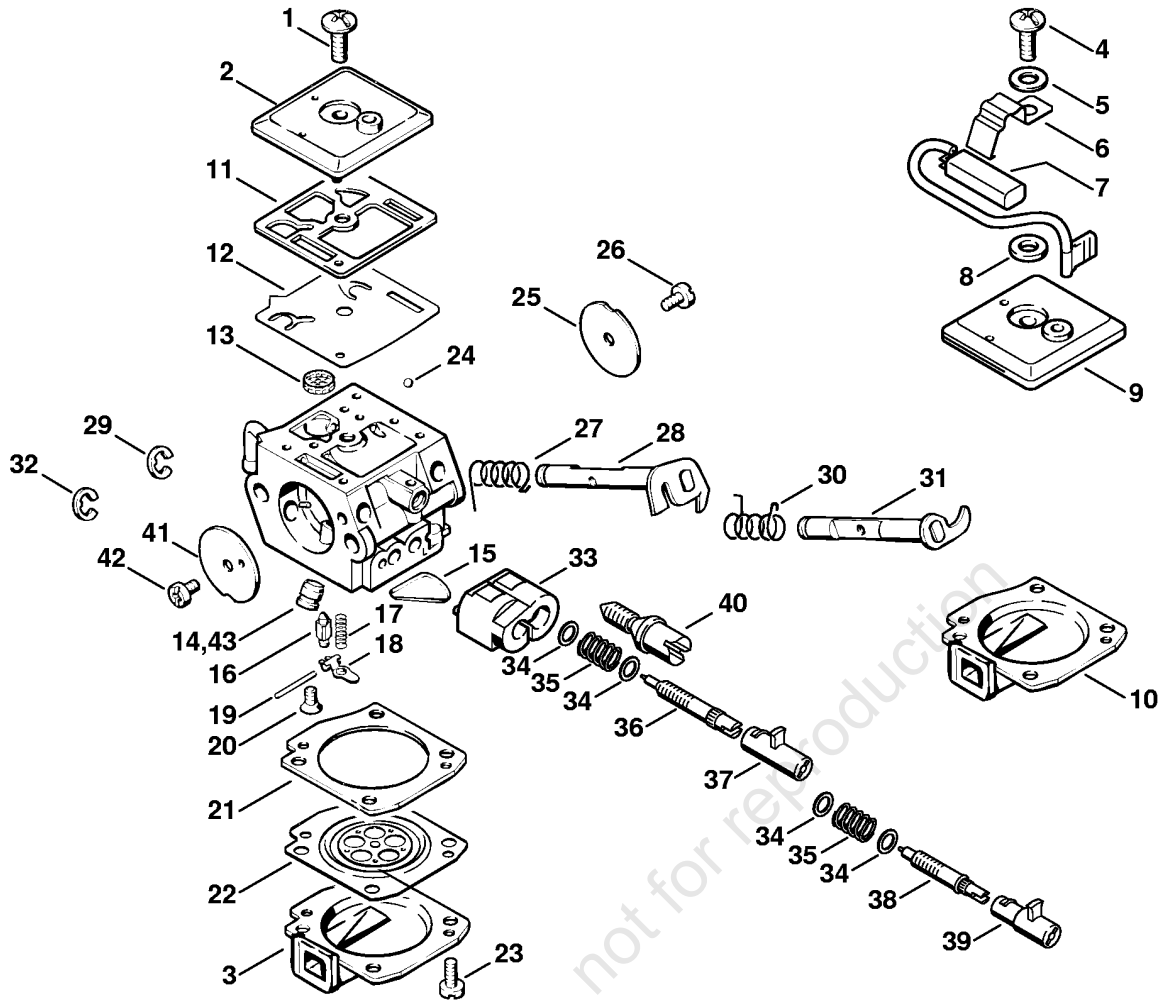
(1) MS 360, (2) MS 360 Arctic, (3) MS 360 BR, (4) MS 360 Pro, (5) MS 360 W, (6) MS 360 WVH

## Carburetor C3A-S31, C3A-S65

Reference	Item number	Qty	Description	Contains
	1125 120 0613	1	Carburetor C3A-S31G (1,5)	1, 3 - 32
	1125 120 0614	1	Carburetor C3A-S65B (3)	2 - 32
1	1125 121 5408	1	Valve jet 0.58 (1,5)	
2	1125 121 5410	1	Valve jet 0.65 (3)	
3	1120 122 7800	1	Oval head screw (1,3,5)	
4	1125 121 0802	1	End cover (1,3,5)	
5	1125 129 0900	1	Gasket (1,3,5)	
6	1128 121 4802	1	Pump diaphragm (1,3,5)	
7	1123 121 7800	1	Strainer (1,3,5)	
8	Z000 018 Z000	1	Inlet needle (1,3,5)	
9	1120 122 3004	1	Spring (1,3,5)	
10	1125 121 5000	1	Inlet control lever (1,3,5)	
11	1120 121 9200	1	Spindle (1,3,5)	
12	1120 122 6600	1	Collar screw (1,3,5)	
13	1123 121 0700	1	Cup plug (1,3,5)	
14	1125 129 0901	1	Gasket (1,3,5)	
15	1125 121 4700	1	Metering diaphragm (1,3,5)	
16	1125 121 0804	1	End cover (1,3,5)	
17	1120 122 6601	4	Collar screw (1,3,5)	
18	1125 122 4200	1	Clamp (1,3,5)	
19	1125 121 3301	1	Throttle shutter (1,3,5)	
20	1125 122 7402	1	Round head screw (1,3,5)	
21	1125 122 3202	1	Torsion spring (1,3,5)	
22	1125 120 7101	1	Throttle shaft with lever (1,3,5)	
23	1125 122 9001	1	E-clip (1,3,5)	
24	1125 122 3203	1	Torsion spring (1,3,5)	
25	1125 120 7201	1	Choke shaft with lever (1,3,5)	
26	1125 122 9003	1	E-clip (1,3,5)	
27	1125 122 6200	1	Idle speed screw (1,3,5)	
28	1120 122 3005	2	Spring (1,3,5)	
29	1125 122 6802	1	Low speed screw (1,3,5)	
30	1125 122 6702	1	High speed screw (1,3,5)	
31	1125 121 2901	1	Choke shutter (1,3,5)	
32	1125 122 7403	1	Round head screw (1,3,5)	
33	1125 121 5409	1	Valve jet 0.56 (B) High altitude (1,5)	
	1128 007 1065	1	Set of carburetor parts (1,3,5)	5 - 10, 14, 15

(1) MS 360, (2) MS 360 Arctic, (3) MS 360 BR, (4) MS 360 Pro, (5) MS 360 W, (6) MS 360 WVH

**Carburetor C3A-S39, C3A-S52**



174ET010 SC

(1) MS 360, (2) MS 360 Arctic, (3) MS 360 BR, (4) MS 360 Pro, (5) MS 360 W, (6) MS 360 WVH

## Carburetor C3A-S39, C3A-S52

Reference	Item number	Qty	Description	Contains
	1125 120 0615	1	Carburetor C3A-S39C (4)	1 - 3, 11 - 42
	1125 120 0612	1	Carburetor C3-S52 (2)	4 - 42
1	1120 122 7800	1	Oval head screw (4)	
2	1125 121 0802	1	End cover (4)	
3	1125 121 0804	1	End cover (4)	
4	1128 122 7700	1	Oval head screw (2)	
5	1128 122 1502	1	Washer (2)	
6	1128 122 9301	1	Clip (2)	
7	1125 430 0500	1	Switch (2)	
8	1128 122 1501	1	Washer (2)	
9	1125 121 0807	1	End cover (2)	
10	1125 121 0805	1	End cover (2)	
11	1125 129 0900	1	Gasket (2,4)	
12	1128 121 4802	1	Pump diaphragm (2,4)	
13	1123 121 7800	1	Strainer (2,4)	
14	1125 121 5408	1	Valve jet 0.58 (2,4)	
15	1123 121 0700	1	Cup plug (2,4)	
16	Z000 018 Z000	1	Inlet needle (2,4)	
17	1120 122 3004	1	Spring (2,4)	
18	1125 121 5000	1	Inlet control lever (2,4)	
19	1120 121 9200	1	Spindle (2,4)	
20	1120 122 6600	1	Collar screw (2,4)	
21	1125 129 0901	1	Gasket (2,4)	
22	1125 121 4700	1	Metering diaphragm (2,4)	
23	1120 122 6601	4	Collar screw (2,4)	
24	1125 122 4200	1	Clamp (2,4)	
25	1125 121 3301	1	Throttle shutter (2,4)	
26	1125 122 7402	1	Round head screw (2,4)	
27	1125 122 3202	1	Torsion spring (2,4)	
28	1125 120 7101	1	Throttle shaft with lever (2,4)	
29	1125 122 9001	1	E-clip (2,4)	
30	1125 122 3203	1	Torsion spring (2,4)	
31	1125 120 7201	1	Choke shaft with lever (2,4)	
32	1125 122 9003	1	E-clip (2,4)	
33	1125 122 4600	1	Support (2,4)	
34	4135 121 8600	4	Washer (2,4)	
35	1125 122 3000	2	Spring (2,4)	
36	1125 122 6803	1	Low speed screw (2,4)	

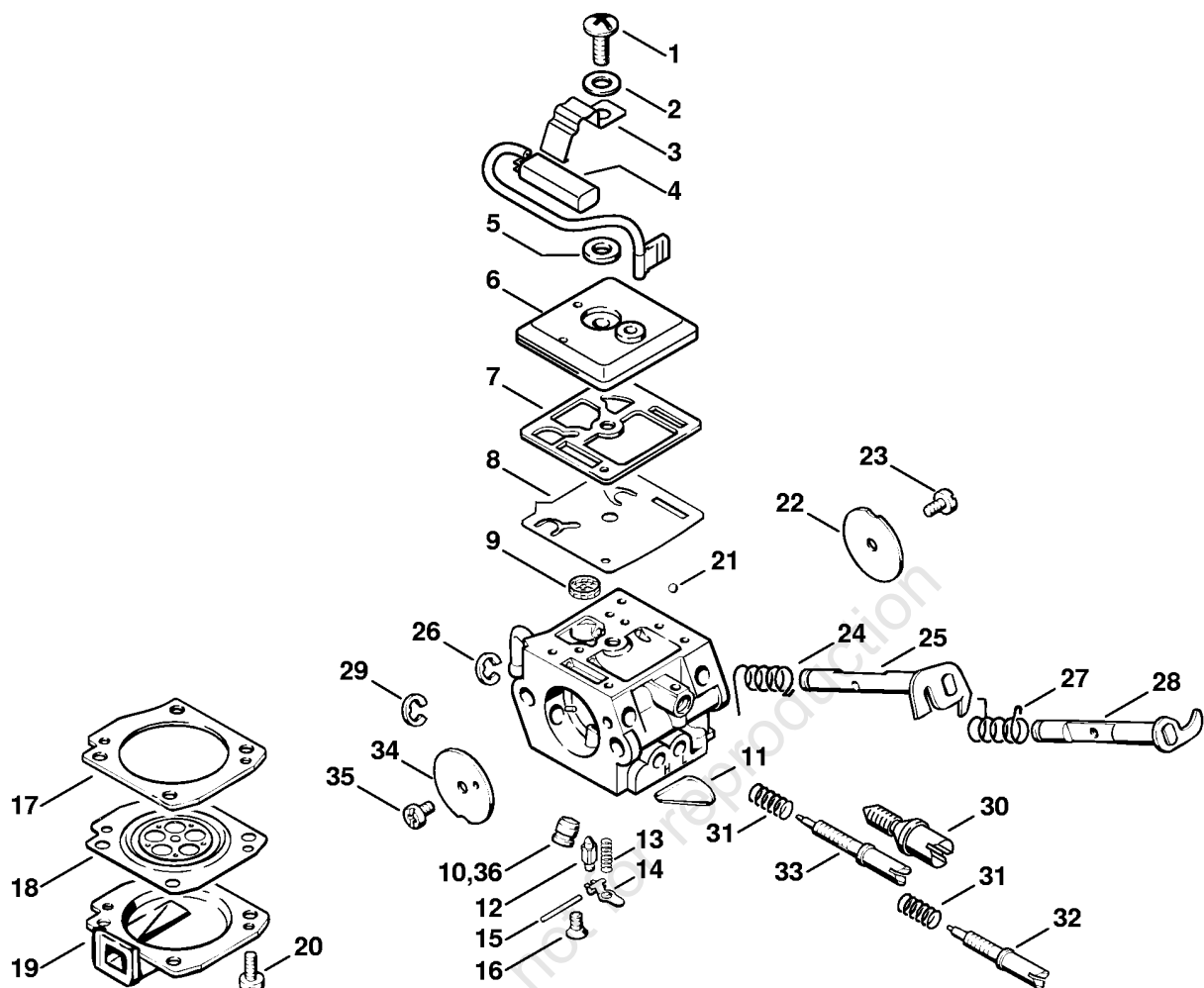
(1) MS 360, (2) MS 360 Arctic, (3) MS 360 BR, (4) MS 360 Pro, (5) MS 360 W, (6) MS 360 WVH



## Carburetor C3A-S39, C3A-S52

Reference	Item number	Qty	Description	Contains
37	1125 121 2701	1	Cap white (2,4)	
38	1125 122 6703	1	High speed screw (2,4)	
39	1125 121 2700	1	Cap red (2,4)	
40	1125 122 6200	1	Idle speed screw (2,4)	
41	1125 121 2901	1	Choke shutter (2,4)	
42	1125 122 7403	1	Round head screw (2,4)	
43	1125 121 5409	1	Valve jet 0.56 (B) High altitude (2,4)	
	1128 007 1065	1	Set of carburetor parts (2,4)	11, 12, 16 - 18, 21, 22

online version, not for reproduction



174ET011 SC

(1) MS 360, (2) MS 360 Arctic, (3) MS 360 BR, (4) MS 360 Pro, (5) MS 360 W, (6) MS 360 WVH

## Carburetor C3A-S27

Reference	Item number	Qty	Description	Contains
	1125 120 0609	1	Carburetor C3A-S27D (6)	1 - 35
1	1128 122 7700	1	Oval head screw (6)	
2	1128 122 1502	1	Washer (6)	
3	1128 122 9301	1	Clip (6)	
4	1125 430 0500	1	Switch (6)	
5	1128 122 1501	1	Washer (6)	
6	1125 121 0807	1	End cover (6)	
7	1125 129 0900	1	Gasket (6)	
8	1128 121 4802	1	Pump diaphragm (6)	
9	1123 121 7800	1	Strainer (6)	
10	1125 121 5408	1	Valve jet 0.58 (6)	
11	1123 121 0700	1	Cup plug (6)	
12	Z000 018 Z000	1	Inlet needle (6)	
13	1120 122 3004	1	Spring (6)	
14	1125 121 5000	1	Inlet control lever (6)	
15	1120 121 9200	1	Spindle (6)	
16	1120 122 6600	1	Collar screw (6)	
17	1125 129 0901	1	Gasket (6)	
18	1125 121 4700	1	Metering diaphragm (6)	
19	1125 121 0805	1	End cover (6)	
20	1120 122 6601	4	Collar screw (6)	
21	1125 122 4200	1	Clamp (6)	
22	1125 121 3301	1	Throttle shutter (6)	
23	1125 122 7402	1	Round head screw (6)	
24	1125 122 3202	1	Torsion spring (6)	
25	1125 120 7101	1	Throttle shaft with lever (6)	
26	1125 122 9001	1	E-clip (6)	
27	1125 122 3203	1	Torsion spring (6)	
28	1125 120 7201	1	Choke shaft with lever (6)	
29	1125 122 9003	1	E-clip (6)	
30	1125 122 6200	1	Idle speed screw (6)	
31	1120 122 3005	2	Spring (6)	
32	1125 122 6702	1	High speed screw (6)	
33	1125 122 6802	1	Low speed screw (6)	
34	1125 121 2901	1	Choke shutter (6)	
35	1125 122 7403	1	Round head screw (6)	
36	1125 121 5409	1	Valve jet 0.56 (B) High altitude (6)	
	1128 007 1065	1	Set of carburetor parts (6)	7 - 9, 12 - 14,

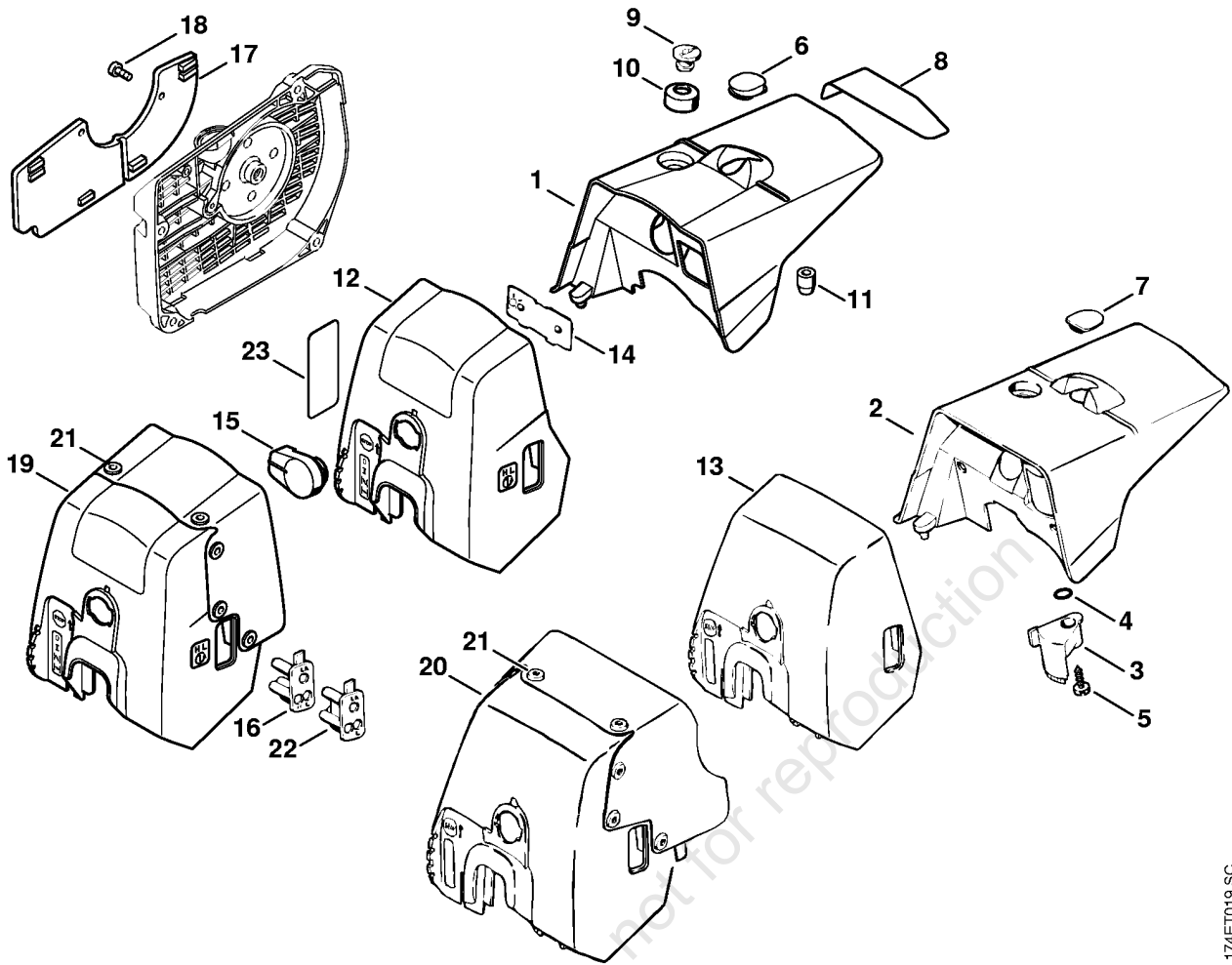
(1) MS 360, (2) MS 360 Arctic, (3) MS 360 BR, (4) MS 360 Pro, (5) MS 360 W, (6) MS 360 WVH

**Carburetor C3A-S27**

Reference	Item number	Qty	Description	Contains
				17, 18

online version, not for reproduction

**Shroud, Carburetor box cover**



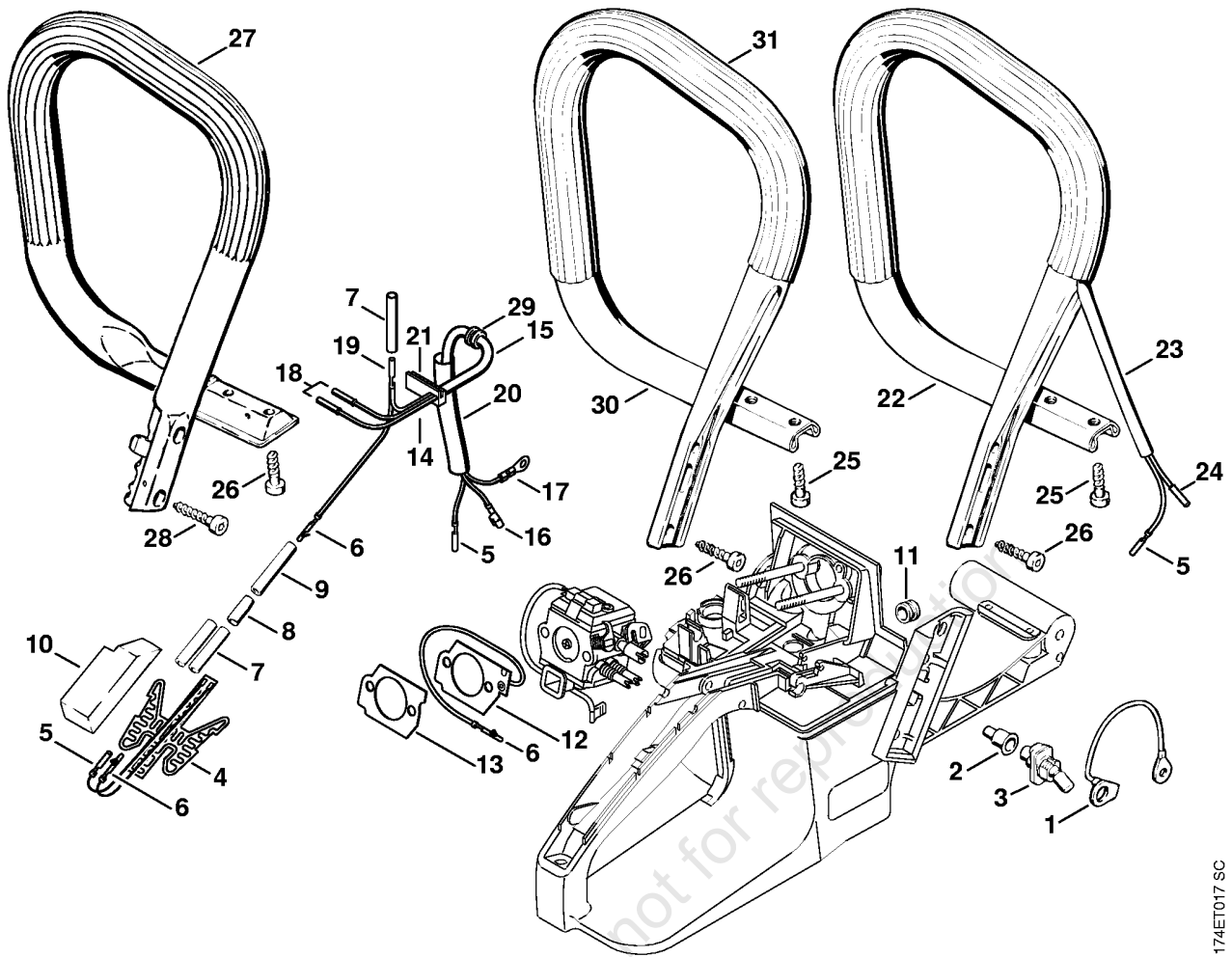
174ET019 SC

(1) MS 360, (2) MS 360 Arctic, (3) MS 360 BR, (4) MS 360 Pro, (5) MS 360 W, (6) MS 360 WVH

## Shroud, Carburetor box cover

Reference	Item number	Qty	Description	Contains
1	1125 080 1622	1	Shroud	6, 8 - 11
2	* 1125 080 1620	1	Shroud	3 - 5, 7 - 10
3	* 1125 080 8000	1	Shutter	4, 5
4	* 9646 945 0590	1	O-ring 8x2	
5	* 9099 021 3760	1	Self-tapping screw 4.8x13	
6	1125 084 7100	1	Cap	
7	* 1122 084 7100	1	Cap	
8	1128 792 0900	1	Reflector foil	
9	1121 084 7000	1	Slotted nut	
10	1121 084 6901	1	Insulator	
11	1121 084 7100	1	Cap	
12	1125 140 1913	1	Carburetor box cover	14, 15
13	* 1125 140 1903	1	Carburetor box cover	14, 15
14	1121 141 2900	1	Cover	
15	1130 141 2300	1	Twist lock	
	1125 007 1024	1	Intake air preheating kit (B)	14 - 19, 21, 22
16	1125 121 7701	1	Guide piece (B) (2,4)	
17	1125 084 8203	1	Cover plate (B)	
18	9041 216 0650	1	Pan head screw M4x10 (B)	
19	1125 140 1912	1	Carburetor box cover (B)	14, 15, 21, 22
20	* 1125 140 1907	1	Carburetor box cover (B)	14, 15, 21, 22
21	9438 929 4040	1	Blind rivet 5x8 (B)	
22	1125 121 7700	1	Guide piece (B) (1,5,6)	
23	0000 967 3605	1	Warning pictogram Filler cap USA, CDN (2,4)	

**Heating, Handlebar**



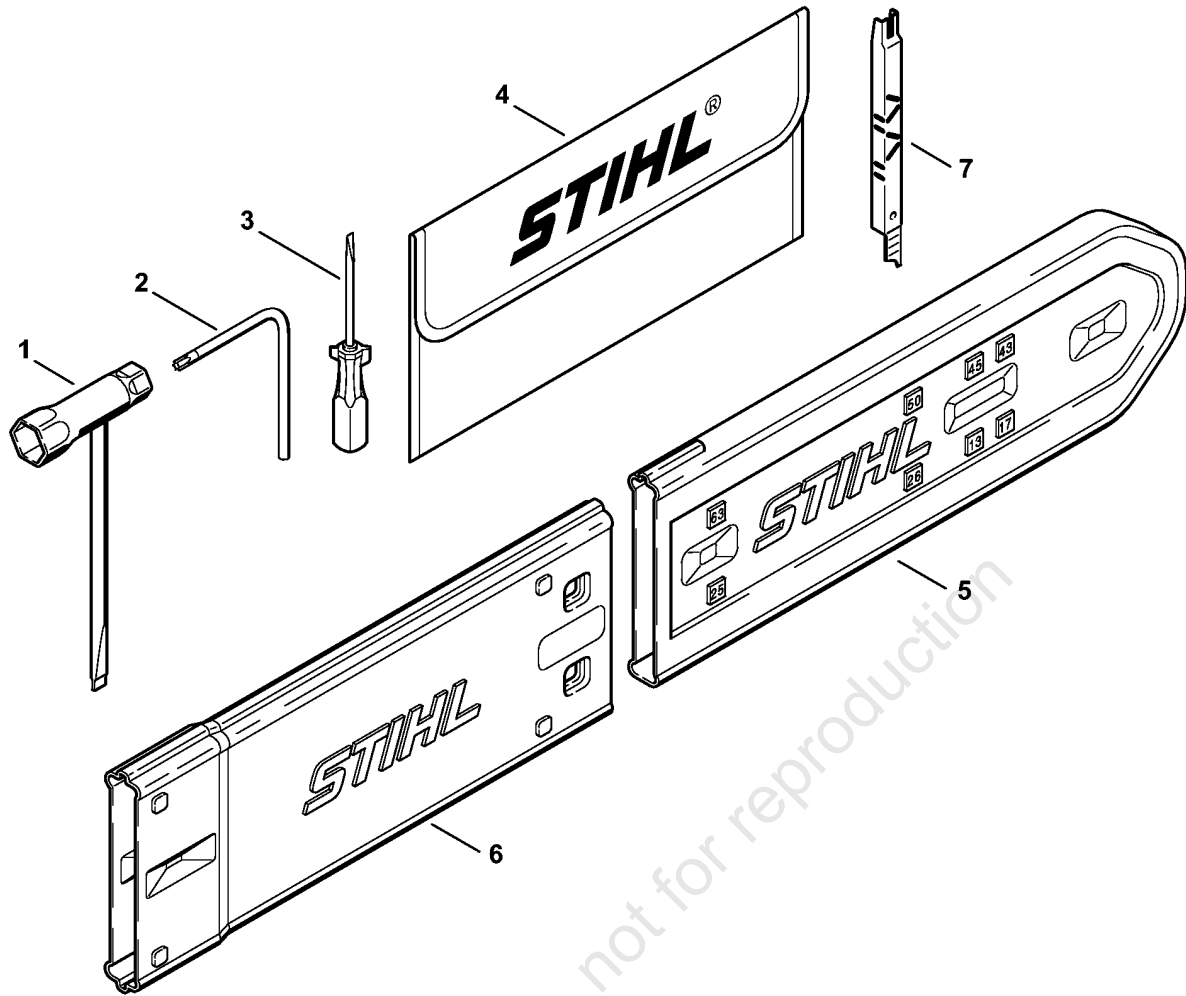
174ET017 SC

(1) MS 360, (2) MS 360 Arctic, (3) MS 360 BR, (4) MS 360 Pro, (5) MS 360 W, (6) MS 360 WVH

## Heating, Handlebar

Reference	Item number	Qty	Description	Contains
1	1121 440 2201	1	Ground wire (2,5,6)	
2	1110 432 9200	1	Grommet (2,5,6)	
3	1110 430 0202	1	Stop switch (2,5,6)	
4	1128 434 5000	1	Heating element (2,5,6)	5, 6
5	1118 431 6700	1	Terminal socket (C) (2,5,6)	
6	1118 431 6600	1	Terminal pin (C) (2,5,6)	
7	1121 442 0402	3	Insulating hose 35 mm / 1.4" (2,5,6)	
8	1125 442 0401	1	Hose 15mm / 5/8" (2,5,6)	
9	1121 442 0406	1	Insulating hose 40 mm / 1.6" (2,5,6)	
10	1121 791 9000	1	Clamp (2,5,6)	
11	0000 989 0815	1	Grommet (2,5,6)	
12	1128 434 5101	1	Heating element (2,6)	6
13	1125 121 9900	1	Heater plate (2,6)	
14	1125 440 3000	1	Wiring harness (2,6)	5, 6, 15 - 21
15	1123 442 0400	1	Shrink-on tube (2,6)	
16	0751 030 8957	1	Terminal socket 4.8-1/0.8 (C) (2,6)	
17	0751 030 8969	1	Terminal socket A5-1.5 (C) (2,6)	
18	1119 442 7000	2	Contact sleeve (C) (2,6)	
19		1	Terminal socket (D) (2,6)	
20	1125 442 0400	1	Insulating hose 120 mm / 4.7" (2,6)	
21	1125 123 7500	1	Grommet (2,6)	
22	1125 790 1702	1	Handlebar (2,5,6)	5, 23, 24
23	1124 442 0400	1	Insulating hose 160 mm / 6.3" (2,5,6)	
24	0000 442 7000	1	Contact sleeve (C) (2,5,6)	
25	9074 478 4435	2	Pan head self-tapping screw IS-P6x19 (2,3,5,6)	
26	9074 478 4475	2	Pan head self-tapping screw IS-P6x21.5	
27	1125 790 1750	1	Handlebar (1,4)	26, 28
28	9074 478 4675	2	Pan head self-tapping screw IS-P6x32.5 (1,4)	
29	1125 084 8900	1	Grommet (2,6)	
30	1125 790 1751	1	Handlebar (B) (3)	25, 26, 31
31		1	Handle hose 430 mm / 16 15/16" (B,D)	
31	0000 791 2009	1	Handle hose Ø 19 mm x 5 m / 3/4x197" (B) (3)	





1121-GET-0002-A0

## Tools, Extras

Reference	Item number	Qty	Description	Contains
	1121 890 1400	1	Tool kit	1 - 4
1	1129 890 3401	1	Combination wrench	
2	0812 370 1000	1	Screwdriver T27x120x70	
3	0000 890 2300	1	Screwdriver (1,2,3,4,5,6)	
4	0000 891 0810	1	Tool roll (1,2,3,4,5,6)	
5	0000 792 9129	1	Chain scabbard	
6	0000 792 9132	1	Chain scabbard extension up to 63 cm (B,C)	
7	1110 893 4000	1	Filing gauge (B)	

online version, not for reproduction