

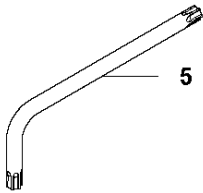
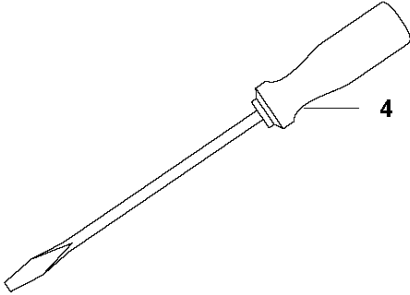
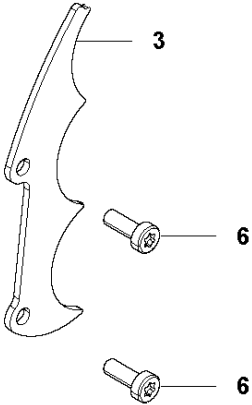
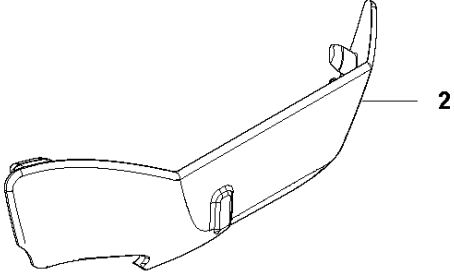
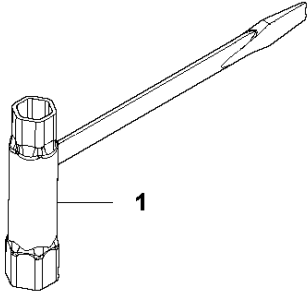


SPARE PARTS LIST

CHAIN SAWS

GZ4350, 2017-10

P GZ4350
ACCESSORIES

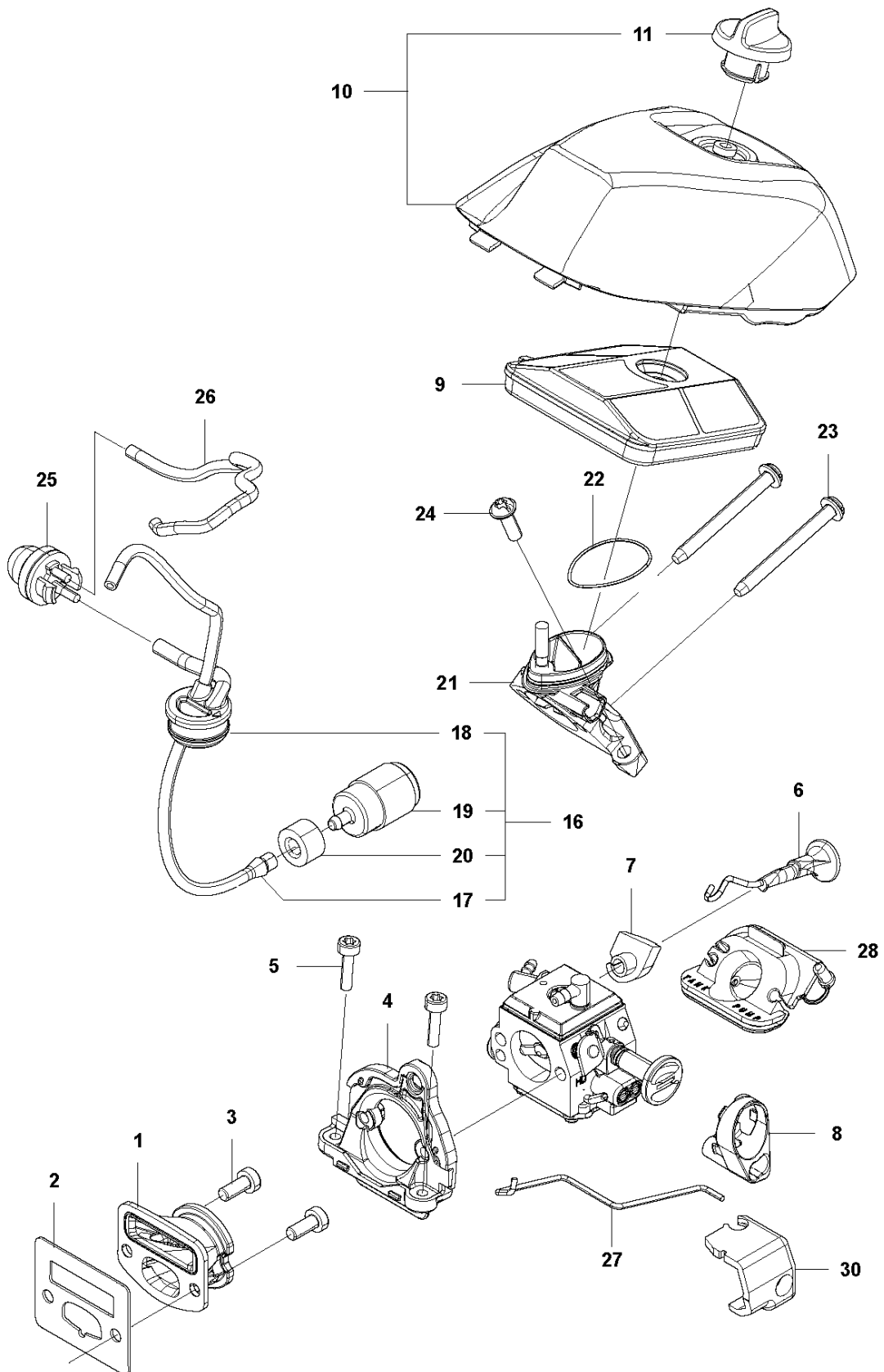


ACCESSORIES

GZ4350, 2017-10

Ref	Part No	Description	Remark	QTY KIT
1	521 53 29-01	WRENCH		1
2	580 65 98-02	WINTER COVER		1
3	585 69 70-01	SPIKE		1
4	513 63 56-01	DRIVER		1
5	584 40 91-01	HEX KEY	T27	1
6	521 51 62-01	BOLT		2

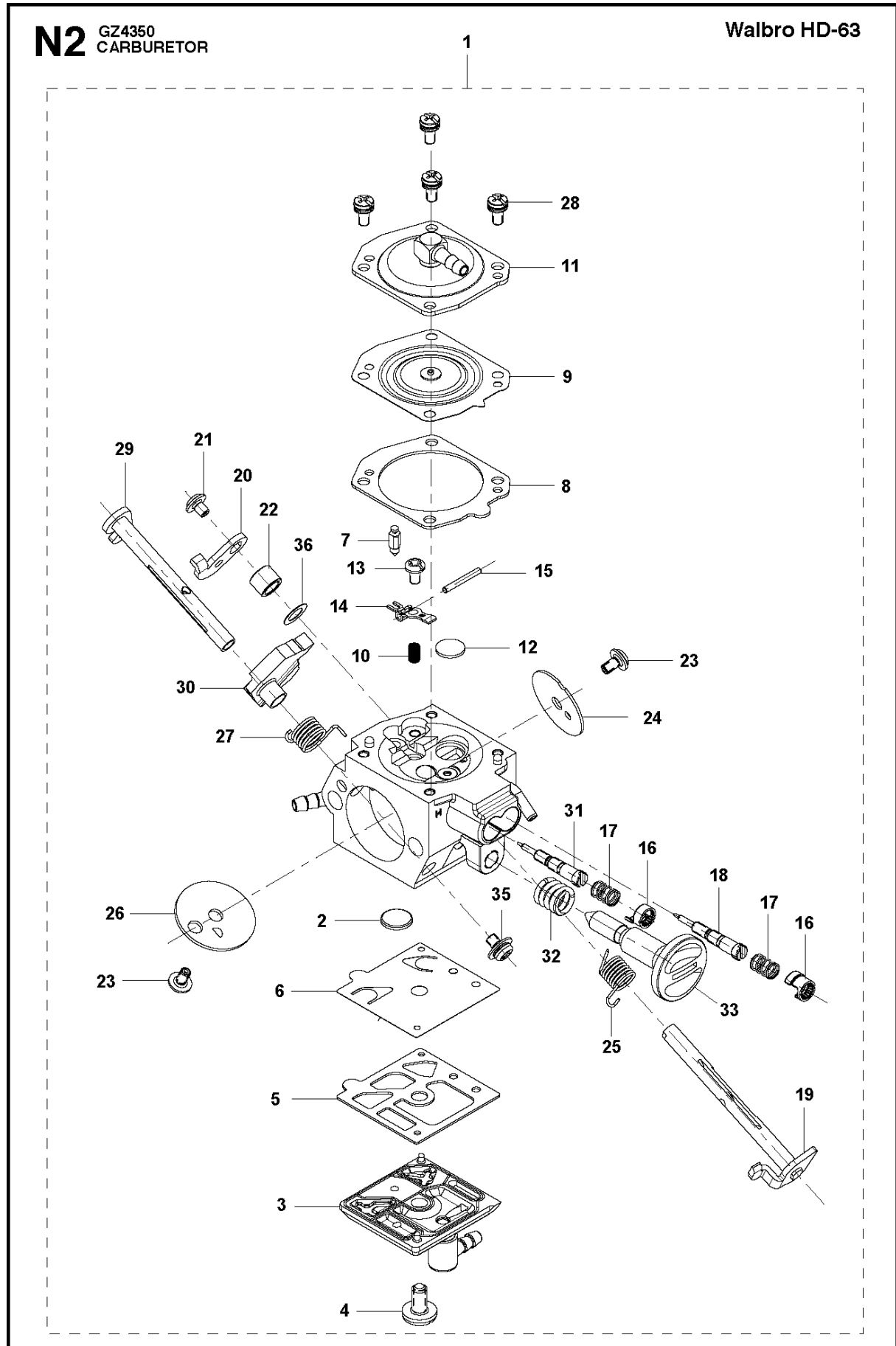
G GZ4350
CARBURETOR & AIR FILTER



CARBURETOR & AIR FILTER

GZ4350, 2017-10

Ref	Part No	Description	Remark	QTY	KIT
1	579 20 40-01	FUEL HOSE ASSY		1	
2	579 18 71-01	GASKET		1	
3	522 63 85-01	BOLT	M5x12-T27	2	
4	579 18 10-01	FLANGE		1	
5	506 74 57-01	BOLT	M4x16-T27	2	
6	578 14 36-01	CHOKE ROD		1	
7	513 79 41-01	GROMMET		1	
8	582 33 92-01	GROMMET		1	
9	588 84 91-01	CLEANER		1	
10	588 85 30-01	AIR FILTER COVER		1	
11	514 25 29-01	KNOB		1	10
16	579 20 40-01	FUEL HOSE ASSY		1	
17	579 51 84-03	FUEL HOSE		1	16
18	578 77 81-01	GROMMET		1	16
19	506 74 26-01	FILTER		1	16
20	513 75 08-01	COLLAR		1	16
21	588 81 79-01	MANIFOLD		1	
22	588 84 88-01	O-RING		1	
23	580 37 01-01	BOLT		2	
24	579 19 13-01	SCREW		1	
25	513 78 93-01	PUMP		1	
26	580 60 72-01	FUEL HOSE		1	
27	576 98 06-01	THROTTLE ROD		1	
28	512 46 31-01	GROMMET		1	
30	584 98 25-01	GROMMET		1	

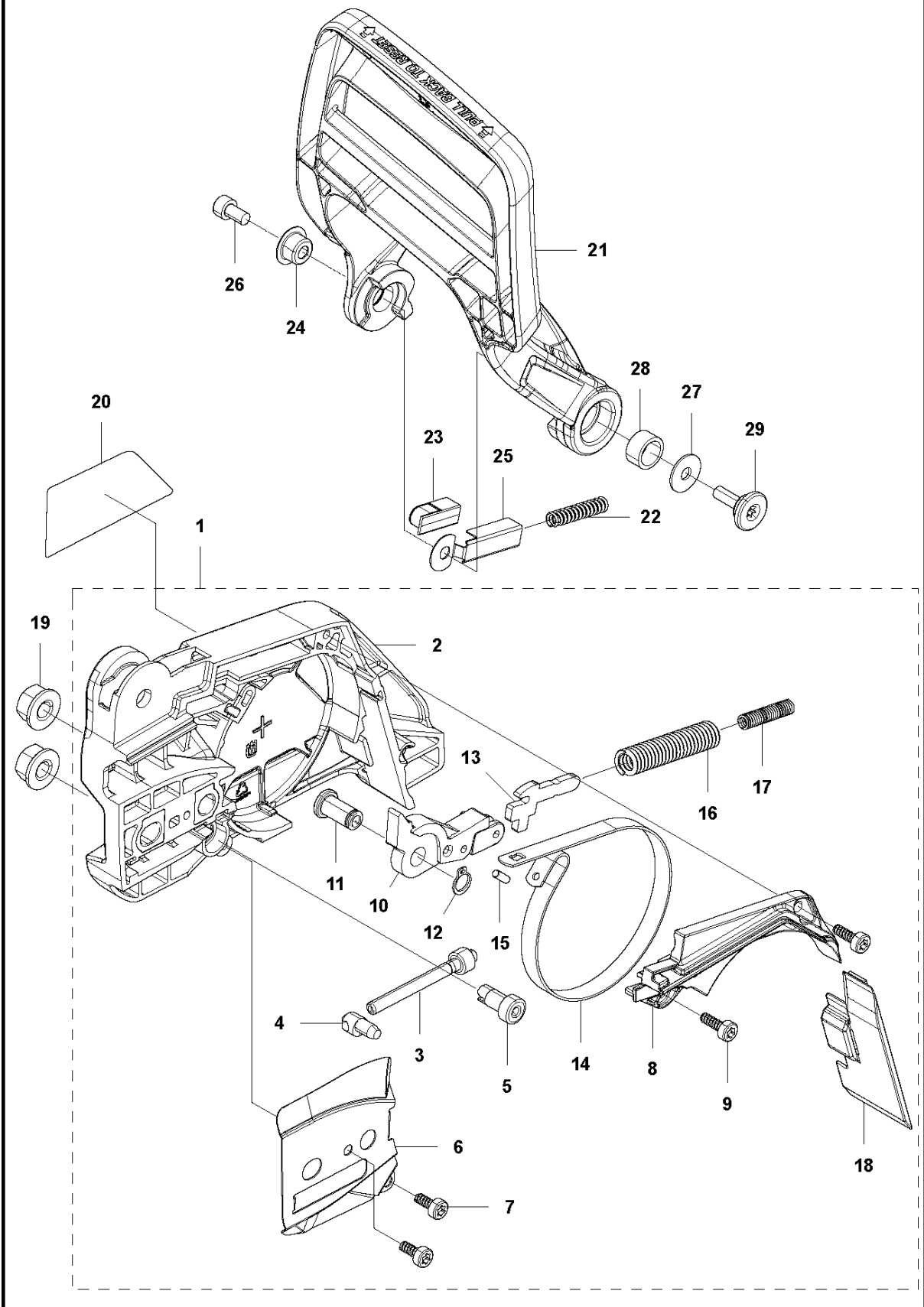


CARBURETOR DETAILS

GZ4350, 2017-10

Ref	Part No	Description	Remark	QTY KIT	
1	590 41 34-01	CARBURETTOR		1	
2	520 95 70-01	SCREEN		1	1
3	579 49 21-01	COVER		1	1
4	513 30 13-01	SCREW		1	1
5	514 24 27-01	GASKET		1	1
6	585 39 98-01	DIAPHRAGM PUMP		1	1
7	521 08 54-01	VALVE.INLET		1	1
8	514 24 28-01	GASKET		1	1
9	579 49 22-01	DIAPHRAGM		1	1
10	516 98 00-01	SPRING		1	1
11	501 40 57-01	COVER		1	1
12	516 34 29-01	PLUG		1	1
13	520 97 73-01	SCREW		1	1
14	514 24 29-01	LEVER		1	1
15	520 97 74-01	PIN		1	1
16	578 91 30-01	CAP		2	1
17	578 91 28-01	SPRING		2	1
18	580 24 21-01	NEEDLE		1	1
19	579 49 25-01	SHAFT ASSY		1	1
20	579 49 26-01	LEVER		1	1
21	520 75 98-01	SCREW		1	1
22	579 49 27-01	SPACER		1	1
23	579 49 28-01	SCREW		2	1
24	579 49 29-01	VALVE		1	1
25	579 49 30-01	SPRING		1	1
26	579 49 31-01	VALVE		1	1
27	581 29 80-01	SPRING		1	1
28	520 97 88-01	SCREW ASSY		4	1
29	581 29 81-01	SHAFT ASSY		1	1
30	581 29 82-01	LEVER		1	1
31	580 24 26-01	NEEDLE HIGH SPEED		1	1
32	521 06 63-01	SPRING		1	1
33	513 79 28-01	SCREW		1	1
35	581 29 83-01	SCREW		1	1
36	506 74 61-01	WASHER		1	1

A GZ4350
CHAIN BRAKE & CLUTCH COVER

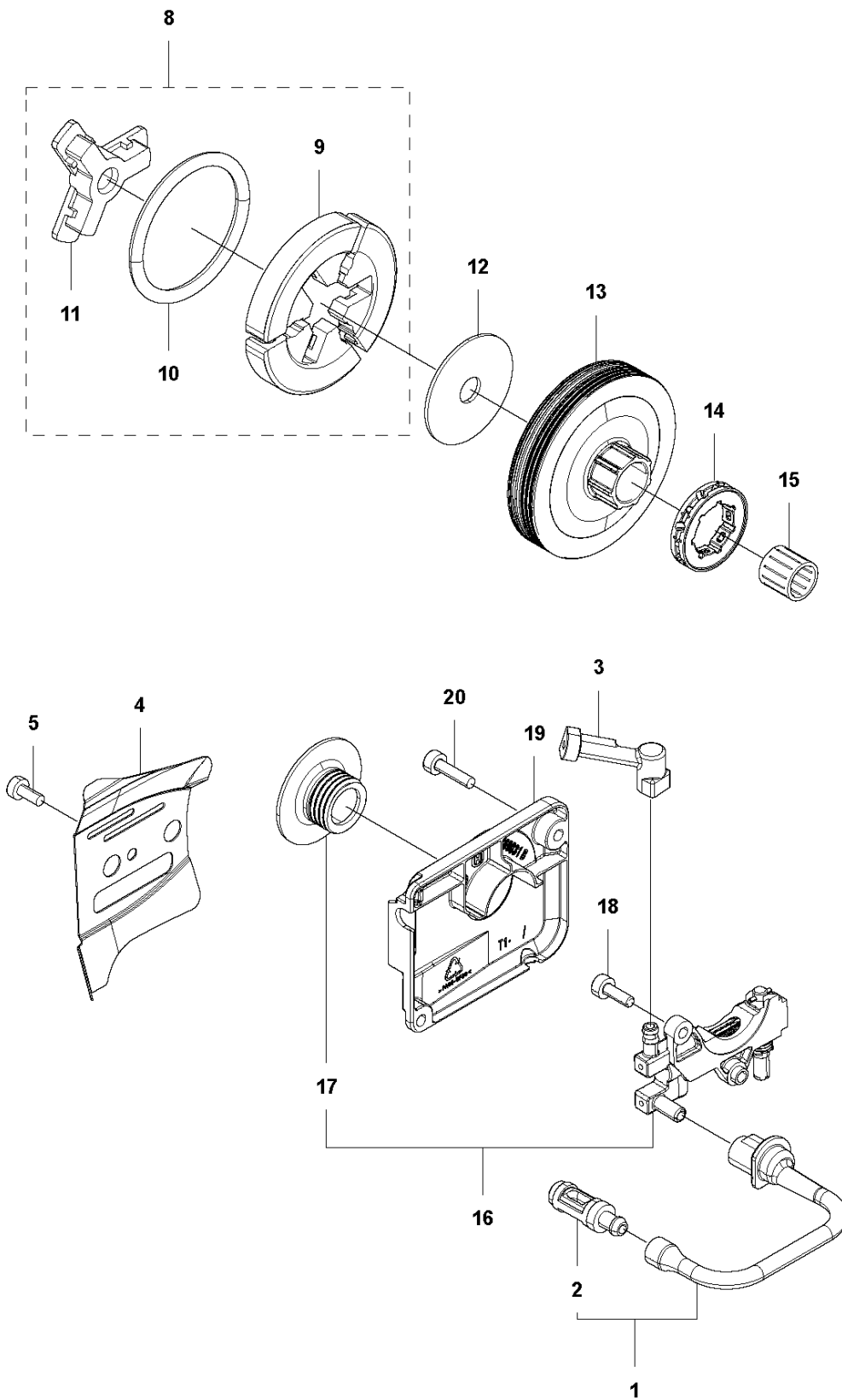


CHAIN BRAKE & CLUTCH COVER

GZ4350, 2017-10

Ref	Part No	Description	Remark	QTY	KIT
1	588 86 08-02	CLUTCH COVER ASSY		1	
2	588 74 90-01	CLUTCH COVER		1	1
3	513 63 77-01	SCREW		1	1
4	513 70 14-01	NUT		1	1
5	513 63 79-01	GEAR		1	1
6	576 98 39-01	PLATE		1	1
7	576 98 41-01	SCREW	T4x10-T27	2	1
8	576 98 38-01	COVER LID		1	1
9	576 98 40-01	SCREW	T4x12-T27	2	1
10	576 98 35-01	BRAKE LEVER		1	1
11	577 00 82-01	PEN		1	1
12	579 19 02-01	RING		1	1
13	516 82 56-01	ARM		1	1
14	580 49 08-01	BRAKE BAND		1	1
15	521 07 54-01	ROLLER		1	1
16	516 82 66-01	BRAKE SPRING		1	1
17	513 96 59-01	SPRING		1	1
18	576 98 42-01	WEAR PROTECTION		1	1
19	575 96 08-01	NUT	M8xP1.25	2	
20	590 92 34-01	DECAL		1	
21	581 64 73-01	HAND GUARD		1	
22	576 98 45-01	SPRING		1	
23	576 98 46-01	CATCH		1	
24	576 98 49-01	SPACER		1	
25	576 98 50-01	WEAR PROTECTION		1	
26	529 26 81-01	BOLT	M5x9-T27	1	
27	513 28 71-01	WASHER		1	
28	576 98 52-01	SPACER		1	
29	526 83 45-01	SCREW		1	

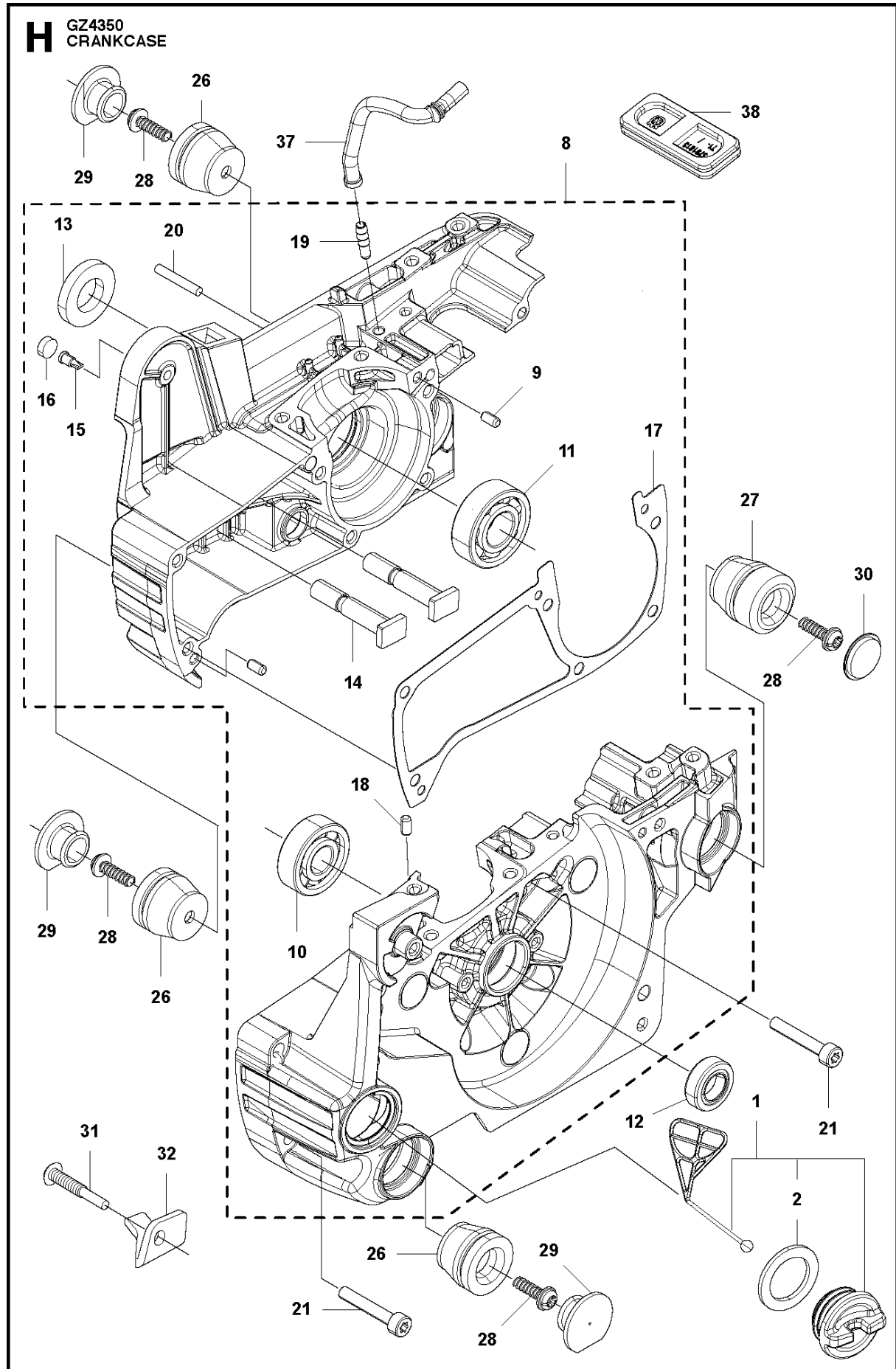
B GZ4350
CLUTCH & OIL PUMP



CLUTCH & OIL PUMP

GZ4350, 2017-10

Ref	Part No	Description	Remark	QTY	KIT
1	521 57 99-01	OILPIPE COMP		1	
2	521 58 00-01	FILTER		1	1
3	513 61 88-01	PIPE		1	
4	576 98 53-01	BAR MOUNT PLATE		1	
5	576 98 54-01	SCREW	M4x10-T27	1	
8	585 00 60-01	CLUTCH ASSY		1	
9	514 19 74-01	SHOE		3	8
10	585 00 61-01	CLUTCH SPRING		1	8
11	521 57 94-01	BOSS		1	8
12	513 62 57-01	PLATE		1	
13	513 95 61-01	DRUM	325P	1	
14	514 23 94-01	RIM		1	
15	513 70 12-01	BEARING		1	
16	521 58 65-01	OIL PUMP	325P	1	
17	511 19 45-01	WORM		1	16
18	506 74 57-01	BOLT	M4x16-T27	2	
19	576 98 31-01	PUMP COVER		1	
20	521 51 57-01	BOLT	M4x12-T27	2	

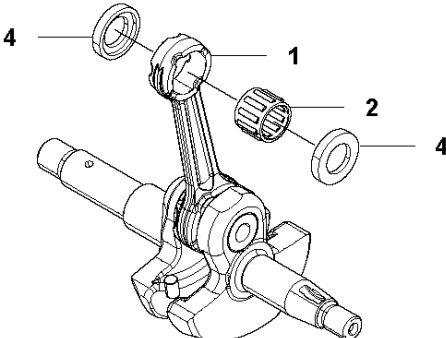


CRANKCASE

GZ4350, 2017-10

Ref	Part No	Description	Remark	QTY	KIT
1	521 55 45-01	CAP-ASSY		1	
2	505 04 61-01	GASKET		1	1
8	582 64 96-01	CRANKCASE ASSY		1	
9	577 16 74-01	PIN		2	8
10	513 74 63-01	BEARING		1	8
11	502 84 91-01	BEARING		1	8
12	504 12 15-01	SEALING		1	
13	581 28 49-01	SEAL		1	8
14	513 74 62-01	BOLT		2	8
15	516 96 19-01	BREATHER		1	8
16	513 74 64-01	SEAL		1	8
17	576 97 62-01	GASKET		1	
18	578 28 12-01	PEN		1	8
19	578 19 67-01	FITTING		1	8
20	521 52 24-01	PIN		1	8
21	515 38 81-01	BOLT	M5x30-T27	6	
26	513 56 04-01	DAMPER		3	
27	512 45 83-01	DAMPER		1	
28	521 51 79-01	SCREW	T5x16-T27	4	
29	513 82 61-01	HUB CAP		3	
30	513 94 51-01	HUB CAP		1	
31	577 82 37-01	SCREW		1	
32	579 21 02-01	CHAIN CATCHER		1	
37	577 02 95-01	PIPE		1	
38	579 18 13-01	GROMMET		1	

E GZ4350
CRANKSHAFT

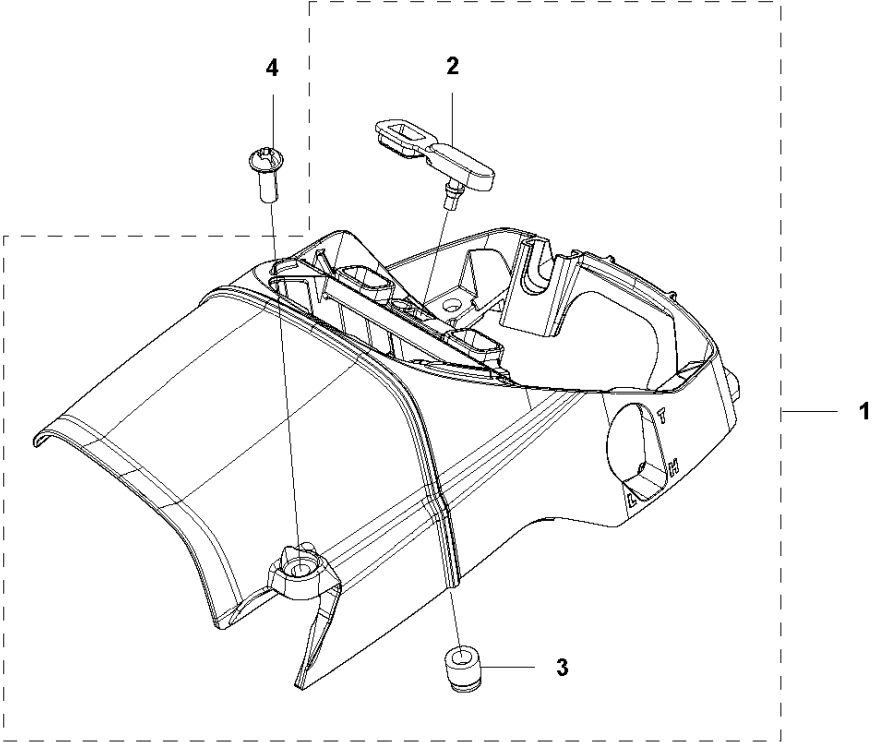


CRANKSHAFT

GZ4350, 2017-10

Ref	Part No	Description	Remark	QTY KIT
1	576 97 20-01	CRANKSHAFT ASSY		1
2	579 02 98-01	NEEDLE BEARING		1
4	513 75 24-01	WASHER		2

C GZ4350
CYLINDER COVER

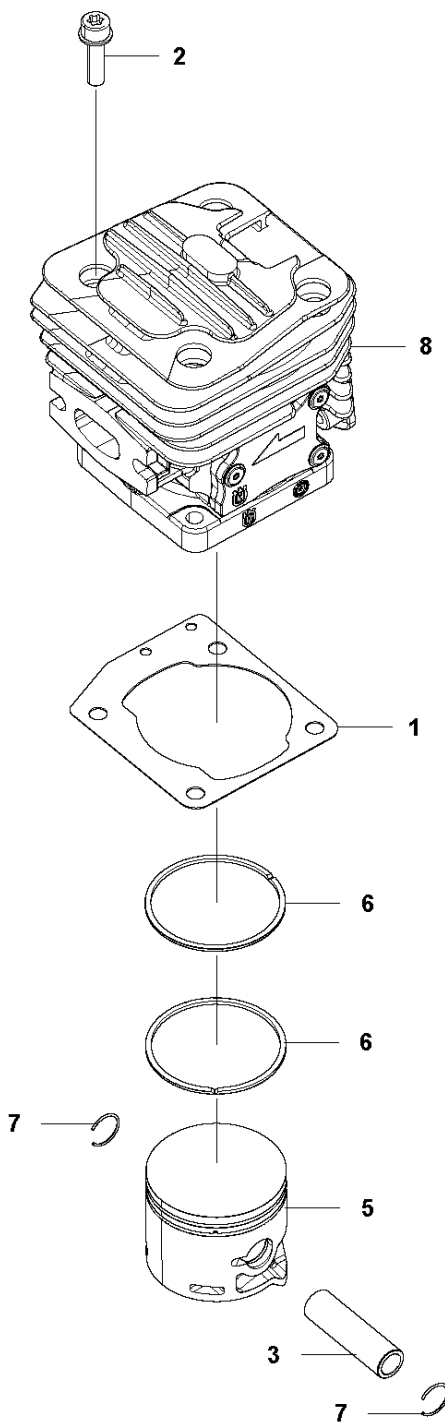


CYLINDER COVER

GZ4350, 2017-10

Ref	Part No	Description	Remark	QTY	KIT
1	579 51 79-01	TANK CAP		1	
2	579 51 80-01	GASKET		1	1
3	514 24 82-01	GROMMET		1	1
4	579 19 13-01	SCREW	M5x14-T27	4	

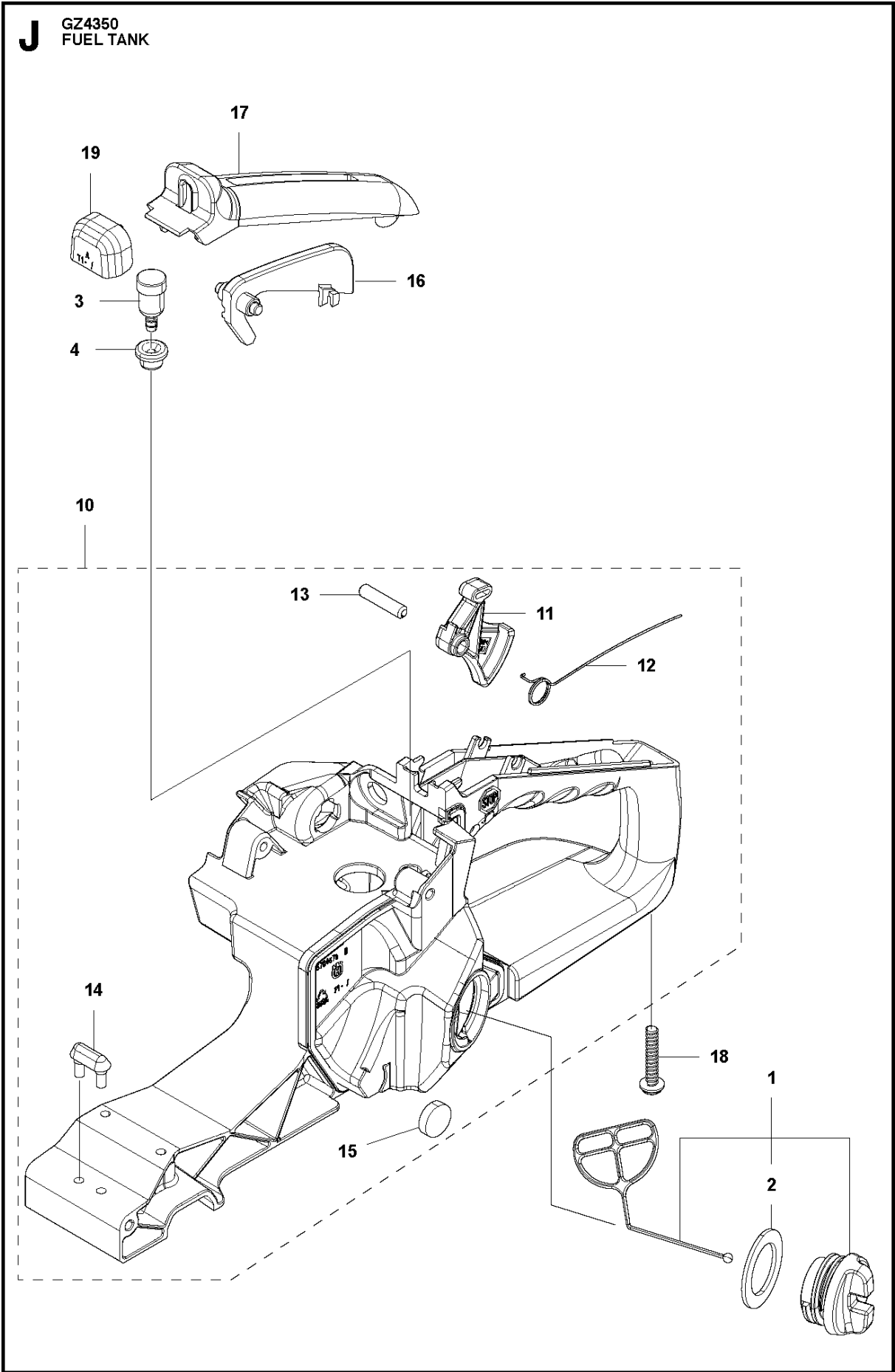
D GZ4350
CYLINDER PISTON



CYLINDER PISTON

GZ4350, 2017-10

Ref	Part No	Description	Remark	QTY KIT
1	576 97 70-01	GASKET		1
2	510 90 46-01	BOLT	M5x20-T27/P	4
3	512 48 49-01	PIN		1
5	581 75 59-01	PISTON		1
6	579 02 97-01	PISTON RING		2
7	516 28 30-01	RING		2
8	577 40 50-01	CYLINDER ASSY		1

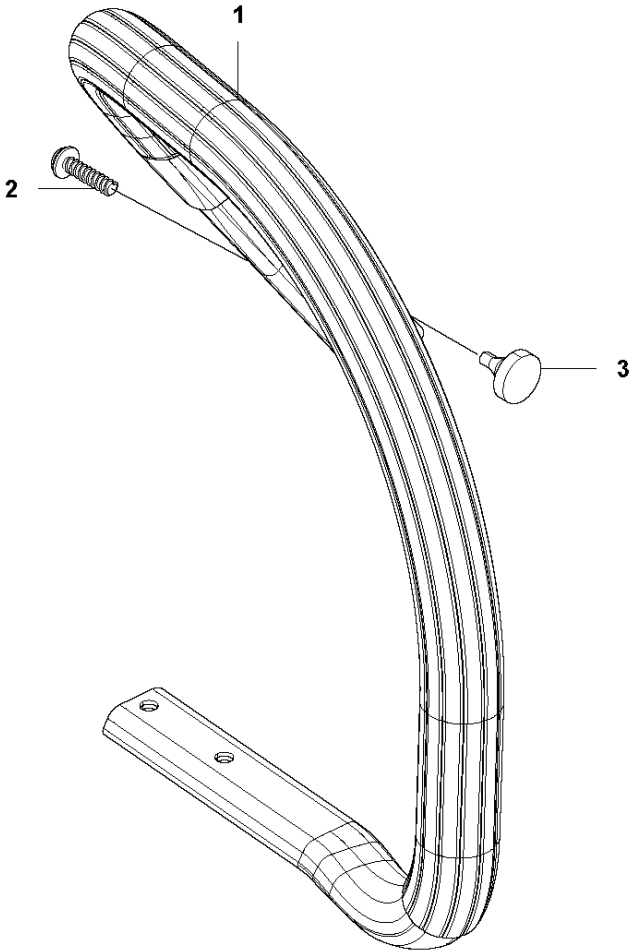


FUEL TANK

GZ4350, 2017-10

Ref	Part No	Description	Remark	QTY	KIT
1	579 51 79-01	TANK CAP		1	
2	579 51 80-01	GASKET		1	1
3	513 75 15-01	BREATHER		1	
4	514 20 14-01	GROMMET		1	
10	579 19 27-01	HANDLE ASSY		1	
11	580 69 47-01	THROTTLE LEVER		1	10
12	505 04 80-01	SPRING		1	10
13	505 04 81-01	SPRING PIN		1	10
14	513 62 02-01	DAMPER		1	10
15	513 75 02-01	HELPER(M)		1	10
16	521 55 65-01	ARM		1	
17	583 95 08-02	COVER		1	
18	521 51 83-01	SCREW		1	
19	580 73 30-01	SUPPORT		1	

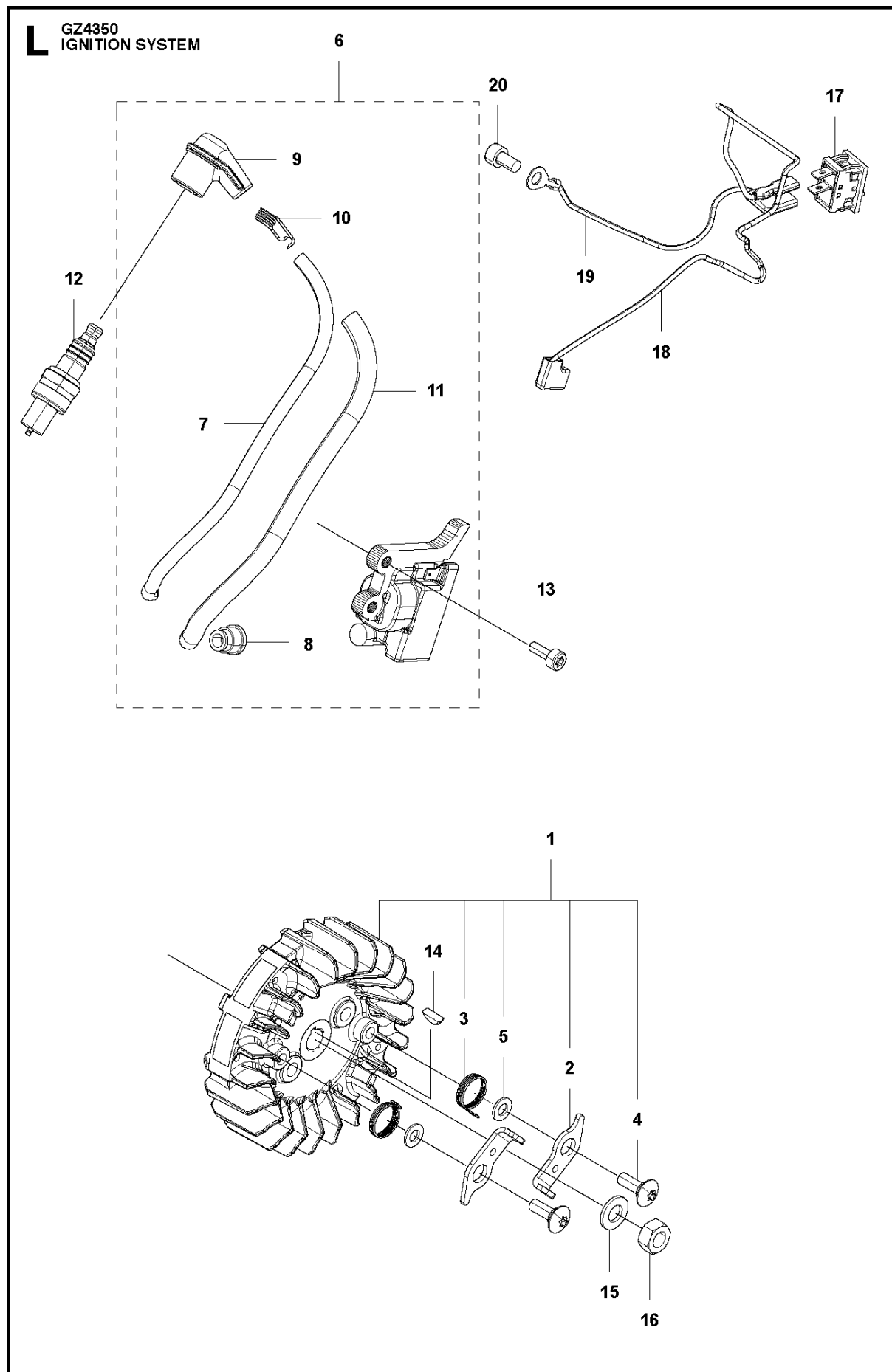
K GZ4350
HANDLES



HANDLE

GZ4350, 2017-10

Ref	Part No	Description	Remark	QTY KIT
1	576 98 62-01	FRONT HANDLE ASSY		1
2	521 51 80-01	SCREW	T5x19-T27	4
3	513 74 96-01	HELPER(P)		1



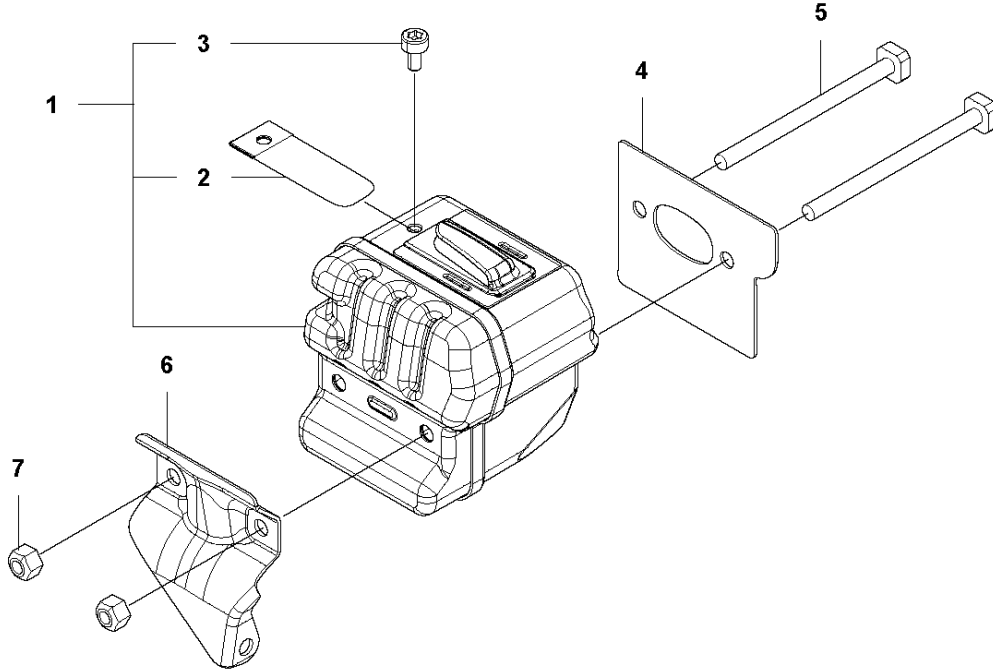
IGNITION SYSTEM

GZ4350, 2017-10

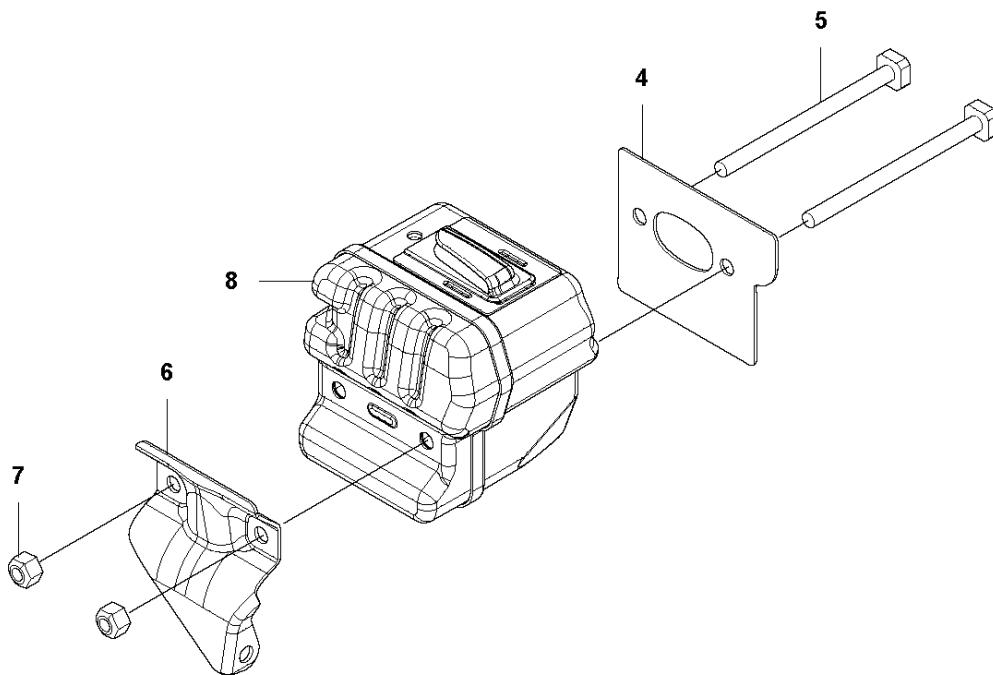
Ref	Part No	Description	Remark	QTY	KIT
1	576 98 23-01	FLYWHEEL ASSY		1	
2	576 98 25-01	PAWL		2	1
3	514 24 09-01	SPRING		2	1
4	577 82 36-01	SCREW	M5x12-T27	2	1
5	506 61 44-01	WASHER		2	1
6	588 84 90-01	IGNITION MODULE ASSY		1	
7	577 33 55-01	CODE		1	6
8	505 04 28-01	HUB CAP		1	6
9	512 44 40-01	HUB CAP		1	6
10	504 11 82-01	SPRING		1	6
11	577 33 56-01	TUBE		1	6
12	521 23 34-01	SPARK PLUG	NGK CMR7H	1	
13	506 74 57-01	BOLT	M4x16-T27	2	
14	506 68 94-01	KEY		1	
15	510 48 81-01	WASHER		1	
16	514 23 92-01	NUT		1	
17	586 24 69-01	STOP SWITCH		1	
18	576 98 30-01	CORD		1	
19	513 76 62-01	CORD		1	
20	529 26 81-01	BOLT	M5x9-T27	1	

F GZ4350
MUFFLER

FOR US/CAN ONLY



FOR EU/JAPAN ONLY

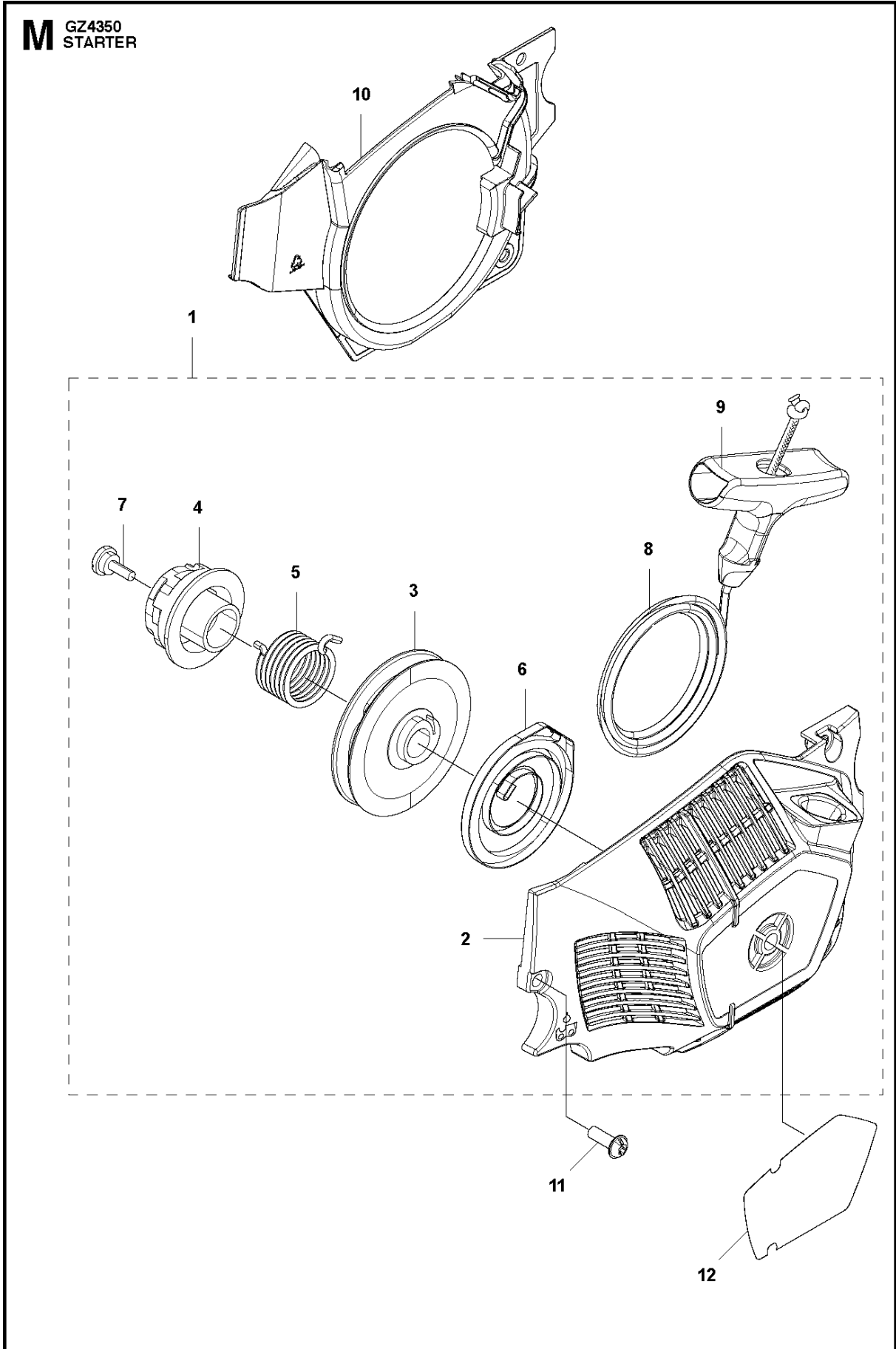


MUFFLER

GZ4350, 2017-10

Ref	Part No	Description	Remark	QTY	KIT
1	576 98 11-01	MUFFLER ASSY	For US/CAN only	1	
2	576 98 20-01	SPARK ARRESTER SCREEN		1	1
3	544 36 27-01	BOLT	M4x8-T27	1	1
4	579 18 37-01	GASKET		1	
5	514 24 59-01	BOLT	M5x70	2	
6	576 98 21-01	BRACKET		1	
7	516 96 09-01	NUT		2	
8	576 98 12-01	MUFFLER	For EU/JAPAN only	1	

M GZ4350
STARTER



STARTER

GZ4350, 2017-10

Ref	Part No	Description	Remark	QTY	KIT
1	586 69 31-01	STARTER ASSY		1	
2	586 69 32-01	STARTER HOUSING		1	1
3	586 69 35-01	REEL		1	1
4	576 98 56-01	STARTER PULLEY		1	1
5	527 75 62-01	SPRING		1	1
6	576 38 33-01	SPRING CASSETTE ASSY		1	1
7	515 36 71-01	SCREW		1	1
8	527 75 61-01	ROPE		1	1
9	581 93 03-01	STARTER HANDLE		1	1
10	586 68 90-01	AIR CONDUCTOR		1	
11	579 19 13-01	SCREW	M5x14-T27	3	
12	590 92 33-01	DECAL		1	