

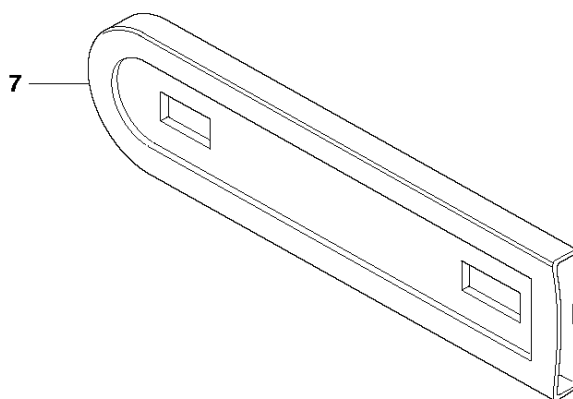
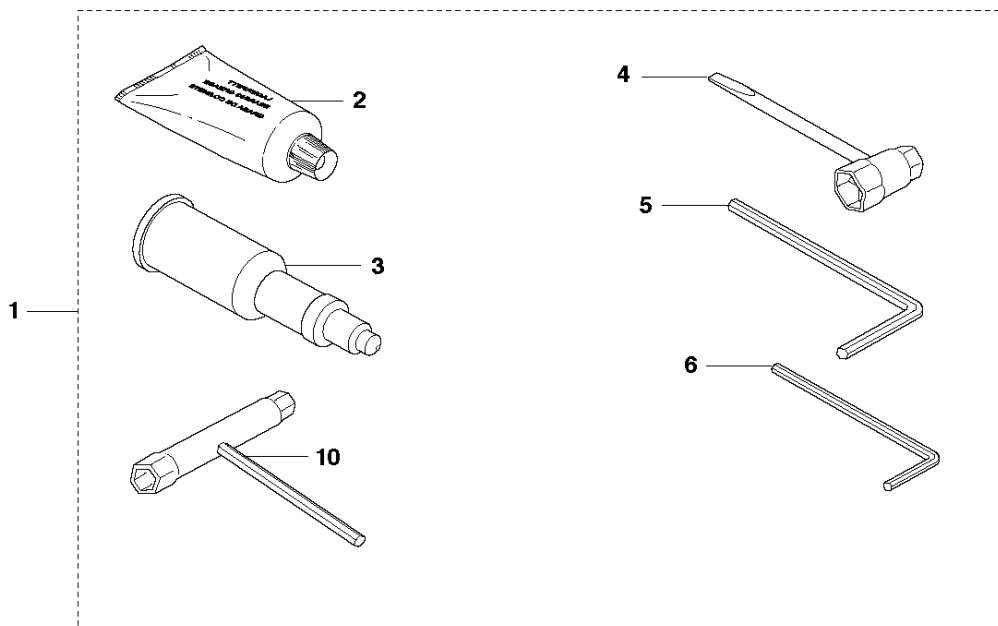


# SPARE PARTS LIST

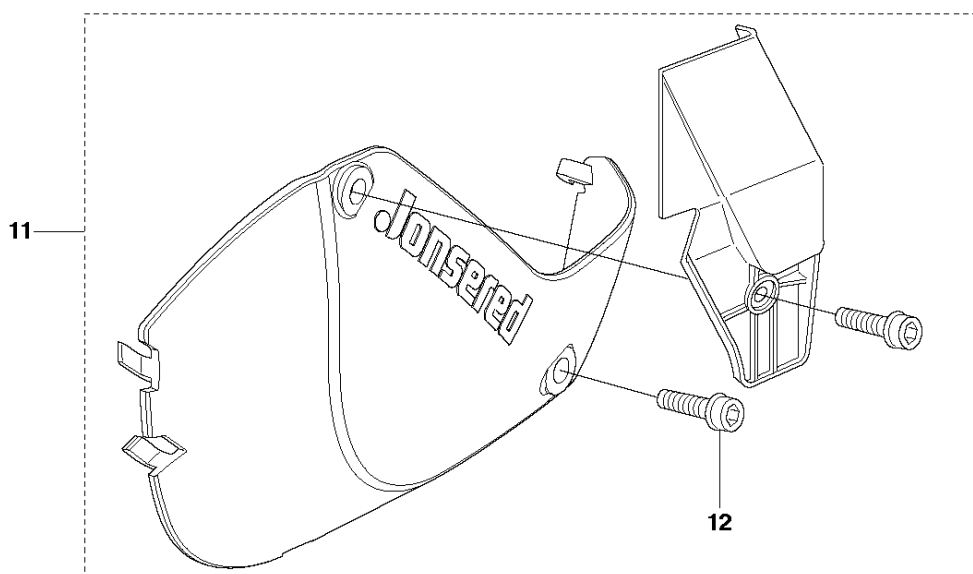
CHAIN SAWS

CS2188 from 2011-05 -

**P** CS2188  
ACCESSORIES



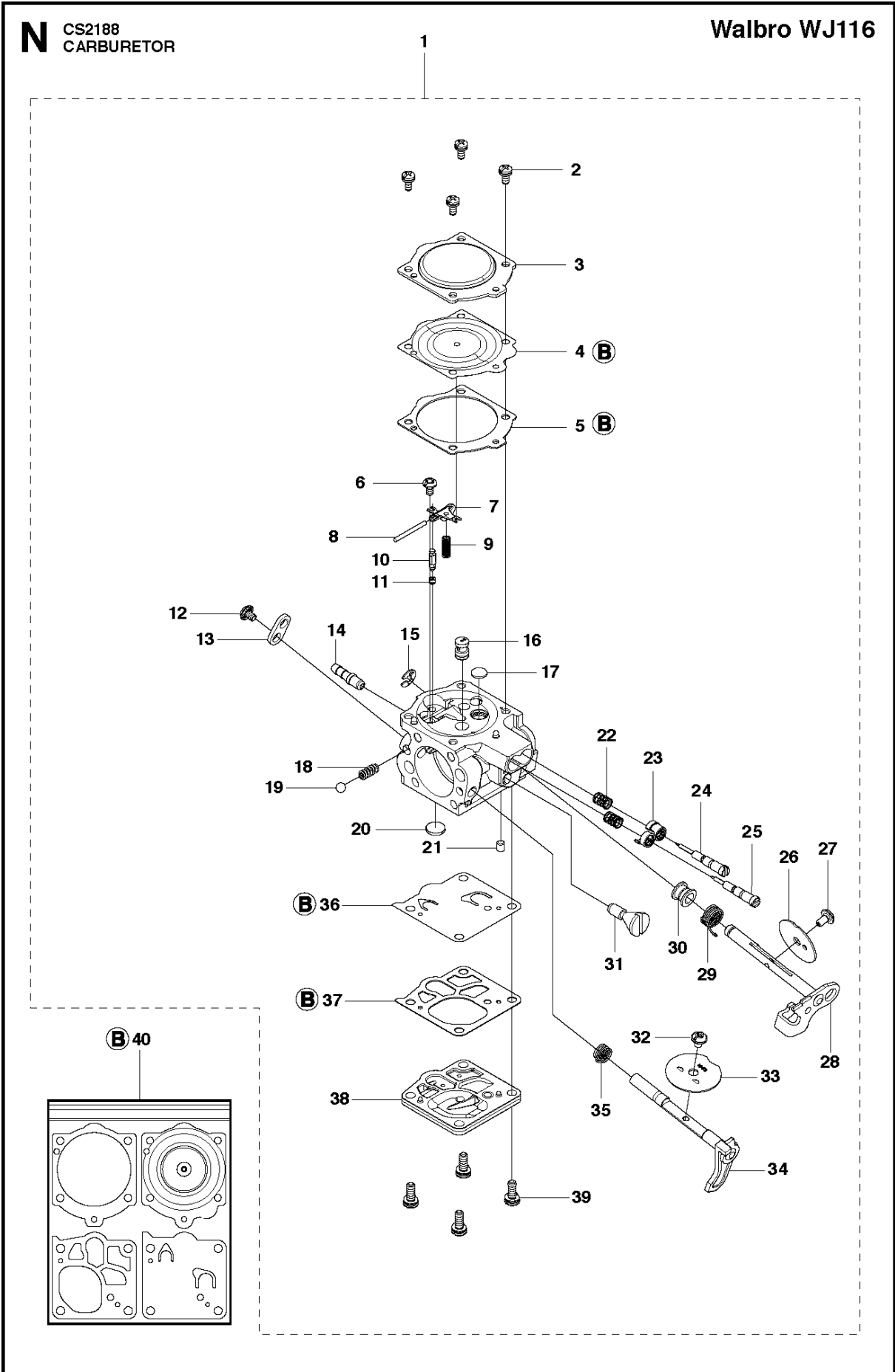
WINTER KIT



## ACCESSORIES

CS2188 from 2011-05 -

Ref	Part No	Description	Remark	QTY	KIT
1	503 55 85-03	TOOL KIT		1	
2	503 62 12-01	GREASE		1	1
3	501 91 14-01	GREASE GUN		1	1
4	501 69 17-02	KOMBINATIONS VERKTYG		1	1
5	503 55 86-02	SPANNER	NV5	1	1
6	503 55 86-01	SPANNER	NV4	1	1
7	501 83 44-02	BAR COVER	"13""-16""	1	
7	501 83 44-05	BAR COVER	"18""-22""	1	7
7	501 83 45-02	BAR COVER	"24""-28""	1	1
8	537 24 43-01	LABEL		1	1
9	537 16 89-05	LABEL		1	1
10	501 68 89-01	SLEEVE TOOL		1	1
11	537 20 11-01	WINTER KIT	Winter kit	1	1
12	503 21 70-16	SCREW CCRPANT		2	1

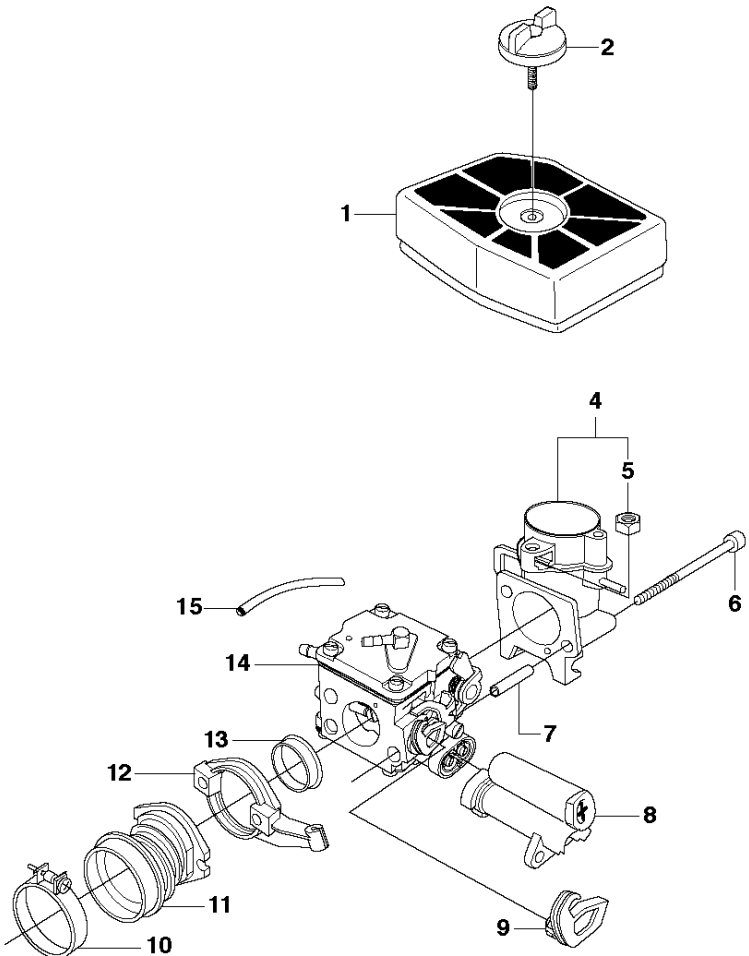


## CARBURETOR

CS2188 from 2011-05 -

Ref	Part No	Description	Remark	QTY	KIT
1	501 35 52-01	CARBURETTOR		1	
2	503 10 87-01	SCREW		4	1
3	505 31 67-02	COVER		1	1
4	505 31 67-15	DIAPH.ASS'Y-METERING		1	1, 40
5	501 46 75-01	GASKET		1	1, 40
6	505 31 67-17	SCREW		1	1
7	505 31 67-34	LEVER		1	1
8	505 31 67-31	PIN-METERING LEVER		1	1
9	504 79 12-01	SPRING		1	1
10	503 56 34-01	VALVE INLET NEEDLE		1	1
11	503 59 23-01	SEAT-IN VALVE PLATED		1	1
12	501 46 87-01	SCREW		1	1
13	504 79 07-01	LEVER		1	1
14	505 69 69-01	FITTING-FUEL INLET		1	1
15	505 31 67-36	RING		1	1
16	504 79 09-01	NOZZLE		1	1
17	504 79 08-01	PLUG		1	1
18	503 11 77-01	SPRING		1	1
19	503 11 71-01	BALL-CHOKE FRICTION		1	1
20	501 66 61-01	SCREEN-INLET		1	1
21	503 80 05-01	PLUG		1	1
22	544 97 10-01	SPRING		2	1
23	544 97 08-01	LIMITER CAP		2	1
24	504 79 18-01	NEEDLE	Low speed	1	1
25	544 97 13-01	NEEDLE	High speed	1	1
26	503 80 00-01	VALVE		1	1
27	544 11 15-01	SCREW		1	1
28	504 79 04-01	SHAFT ASSY		1	1
29	576 13 82-01	SPRING		1	1
30	502 10 31-01	BUSHING		1	1
31	504 79 11-01	SCREW		1	1
32	537 00 34-01	SCREW		1	1
33	505 31 67-07	VALVE-CHOKE		1	1
34	504 79 05-01	SHAFT ASSY		1	1
35	504 79 15-01	SPRING		1	1
36	544 89 72-01	DIAPHRAGM PUMP		1	1, 40
37	503 11 72-01	GASKET PUMP		1	1, 40
38	504 79 03-01	COVER		1	1
39	503 11 75-01	SCREW		4	1
40	522 59 18-01	KIT	B = Set of gaskets	1	

**G** CS2188  
CARBURETOR & AIRFILTER

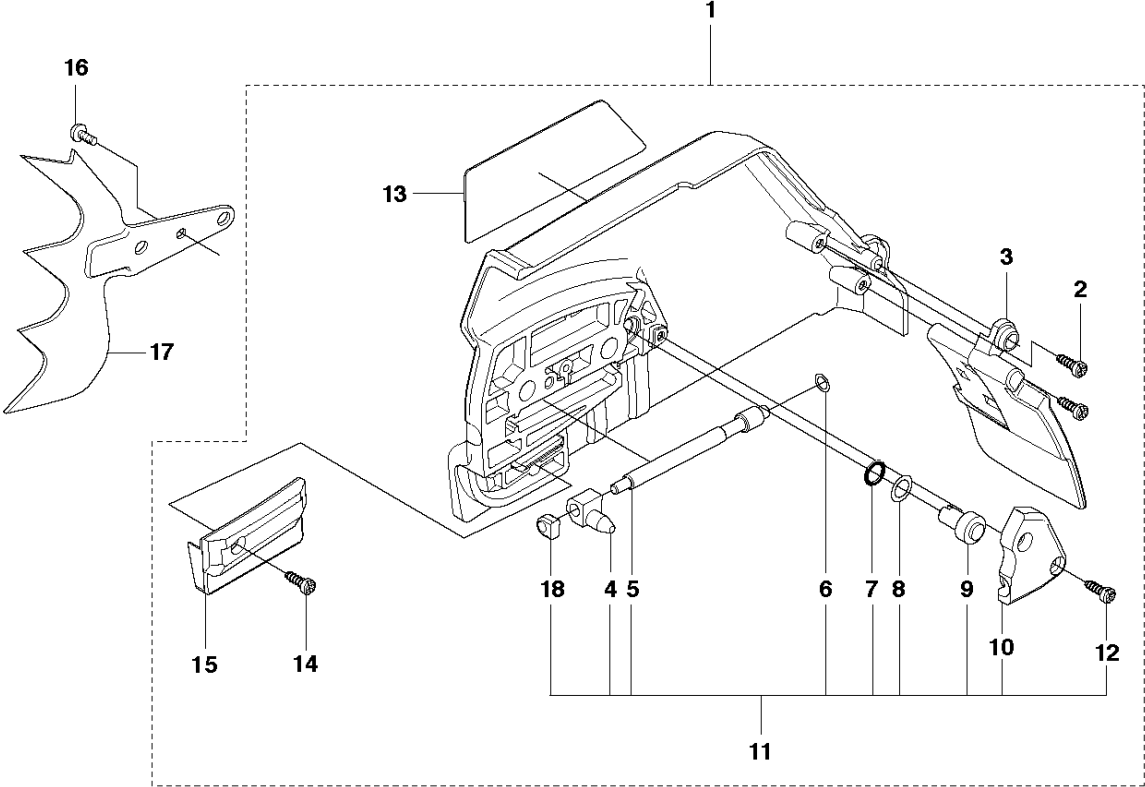


## CARBURETOR &amp; AIR FILTER

CS2188 from 2011-05 -

Ref	Part No	Description	Remark	QTY	KIT
1	537 01 47-01	AIR FILTER ASSY	80μ	1	
1	537 01 47-02	AIR FILTER ASSY	44μ	1	
1	537 01 47-03	AIR FILTER ASSY	Felt	1	
2	537 21 32-01	KNOB		1	
4	537 00 91-01	FILTER HOLDER		1	
5	731 23 14-01	HEXAGON NUT		1	4
6	725 53 09-55	SCREW IHSCM		2	
7	503 70 11-01	TUBE		2	
8	544 97 51-01	GUIDE BUSHING		1	
9	503 68 41-01	LEVER		1	
10	505 28 33-02	HOSE CLAMP		1	
11	537 11 14-02	INLET PIPE		1	
12	537 00 37-01	FLANGE		1	
13	503 96 22-01	SUPPORT SLEEVE		1	15
14	501 35 52-01	CARBURETTOR	WJ116 (EPA)	1	
15	503 40 06-04	IMPULSE HOSE		1	

**A2** CS2188  
CHAIN BRAKE



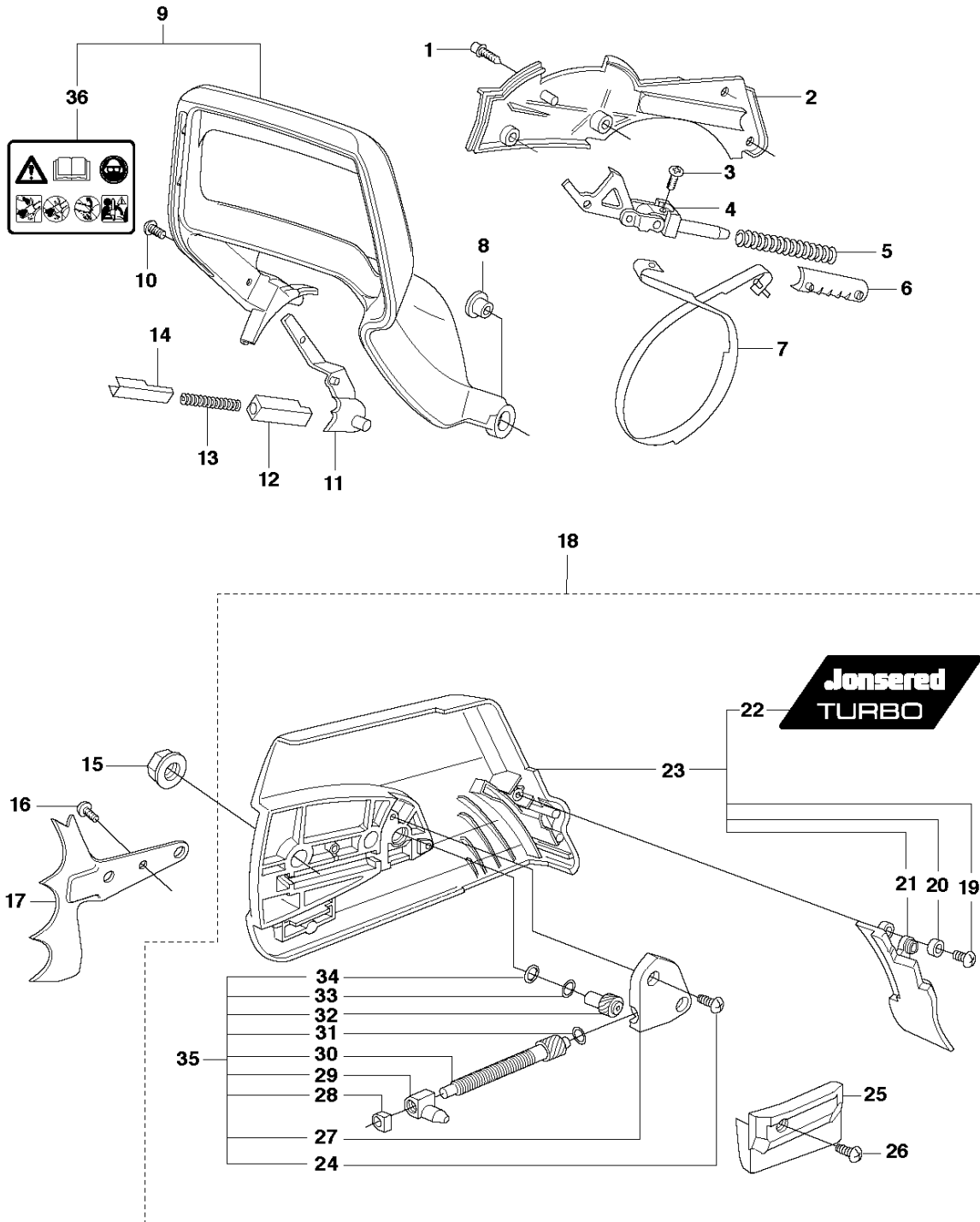


## CHAIN BRAKE

CS2188 from 2011-05 -

Ref	Part No	Description	Remark	QTY	KIT
1	537 33 10-02	CLUTCH COVER ASSY	WA	1	
2	503 21 28-10	SCREW CCRPANT		2	1
3	537 17 41-01	CHIP GUARD		1	1
4	503 99 83-01	PAWL		1	1, 11
5	537 07 95-02	WORM SCREW		1	1, 11
6	503 23 00-66	WASHER		1	1, 11
7	740 48 07-02	O-RING		1	1, 11
8	503 23 00-63	WASHER		1	1, 11
9	537 07 94-02	WORM WHEEL		1	1, 11
10	537 01 68-01	COVER		1	1, 11
11	537 04 41-02	CHAIN TENSIONER		1	1
12	503 21 28-10	SCREW CCRPANT		2	1, 11
13	537 03 38-02	LABEL		1	1
14	503 21 28-10	SCREW CCRPANT		1	1
15	537 04 34-01	CHAIN GUIDE		2	1
16	503 21 28-10	SCREW CCRPANT		1	
17	503 92 27-01	BARKSTØD	WA	1	
18	537 01 74-01	BEARING SLEEVE		1	1, 11

**A1** CS2188  
CHAIN BRAKE & CLUTCH COVER

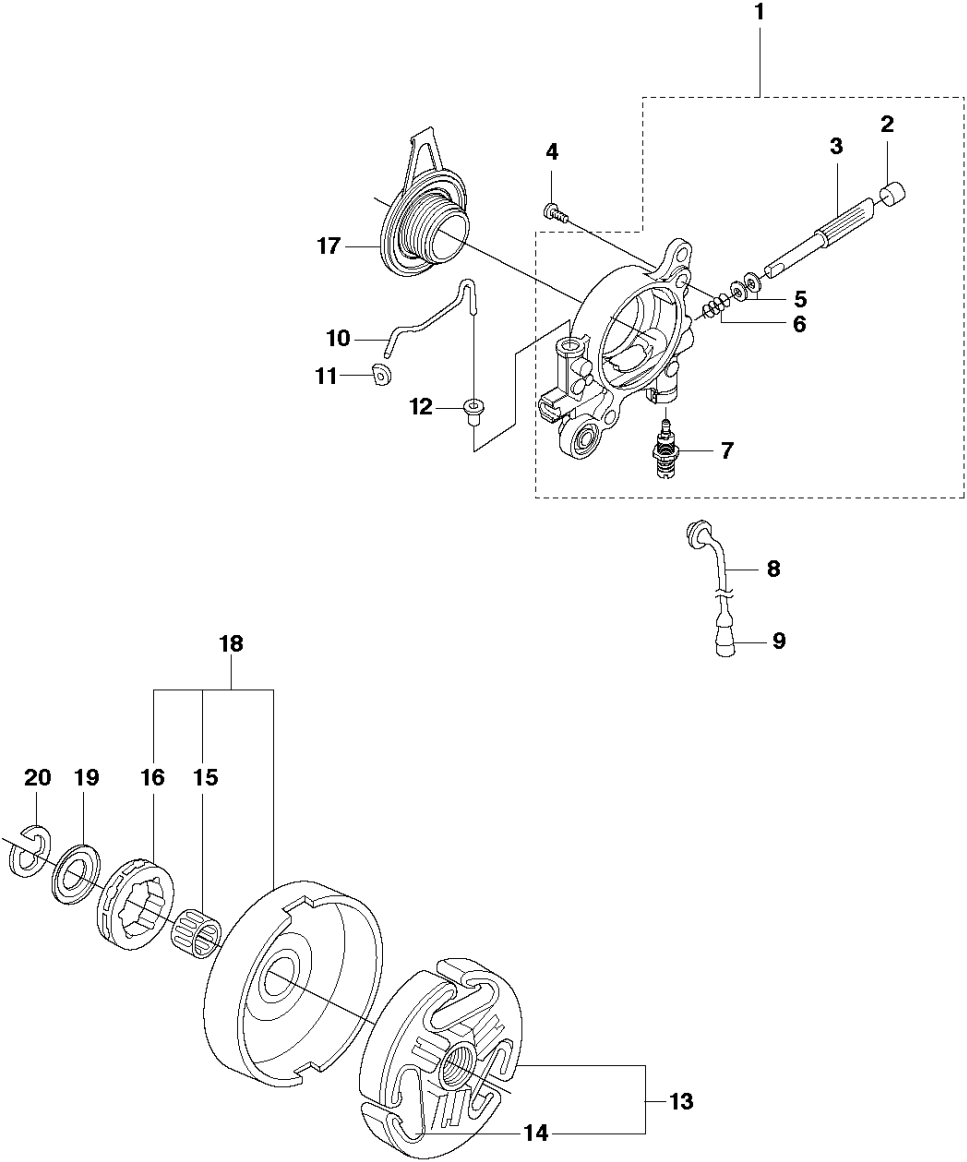


## CHAIN BRAKE &amp; CLUTCH COVER

CS2188 from 2011-05 -

Ref	Part No	Description	Remark	QTY KIT
1	503 20 02-12	SCREW IHSCFM		4
2	503 75 11-03	HUB CAP		1
3	503 21 28-10	SCREW CCRPANT		1
4	501 87 53-04	KNEE JOINT		1
5	503 70 99-01	BRAKE SPRING		1
6	503 79 27-01	SUPPORT		1
7	503 75 22-02	BRAKE BAND ASSY		1
8	503 77 52-01	BUSHING		1
9	537 19 57-01	HAND GUARD		1
10	503 20 26-02	SCREW IHSCM		1
11	537 00 87-02	BRAKE LEVER		1
12	503 83 81-02	LOCK		1
13	503 43 65-01	POSITION SPRING		1
14	537 01 67-01	WEAR PROTECTION		1
15	503 22 00-01	HEXAGON NUT FLANGE		2
16	503 21 28-10	SCREW CCRPANT		1
17	503 71 97-01	SPIKE OUTER		1
18	537 07 20-02	CLUTCH COVER ASSY		1
19	503 21 28-10	SCREW CCRPANT		1 18, 23
20	503 89 70-01	SLEEVE		1 18, 23
21	503 76 29-02	CHIP GUARD		1 18, 23
22	537 24 43-01	LABEL		1 18, 23
23	537 07 20-71	CLUTCH COVER ASSY		1 18
24	503 21 28-10	SCREW CCRPANT		2 35
25	537 19 06-01	CHAIN GUIDE		1 18
26	503 21 28-10	SCREW CCRPANT		1 18
27	537 01 68-01	COVER		1 18, 35
28	537 01 74-01	BEARING SLEEVE		1 18, 35
29	503 99 83-01	PAWL		1 18, 35
30	537 07 95-02	WORM SCREW		1 18, 35
31	503 23 00-66	WASHER		1 18, 35
32	537 07 94-02	WORM WHEEL		1 18, 35
33	503 23 00-63	WASHER		1 18, 35
34	740 48 07-02	O-RING		1 18, 35
35	537 04 41-02	CHAIN TENSIONER		1 18
36	503 98 74-01	LABEL		1 9

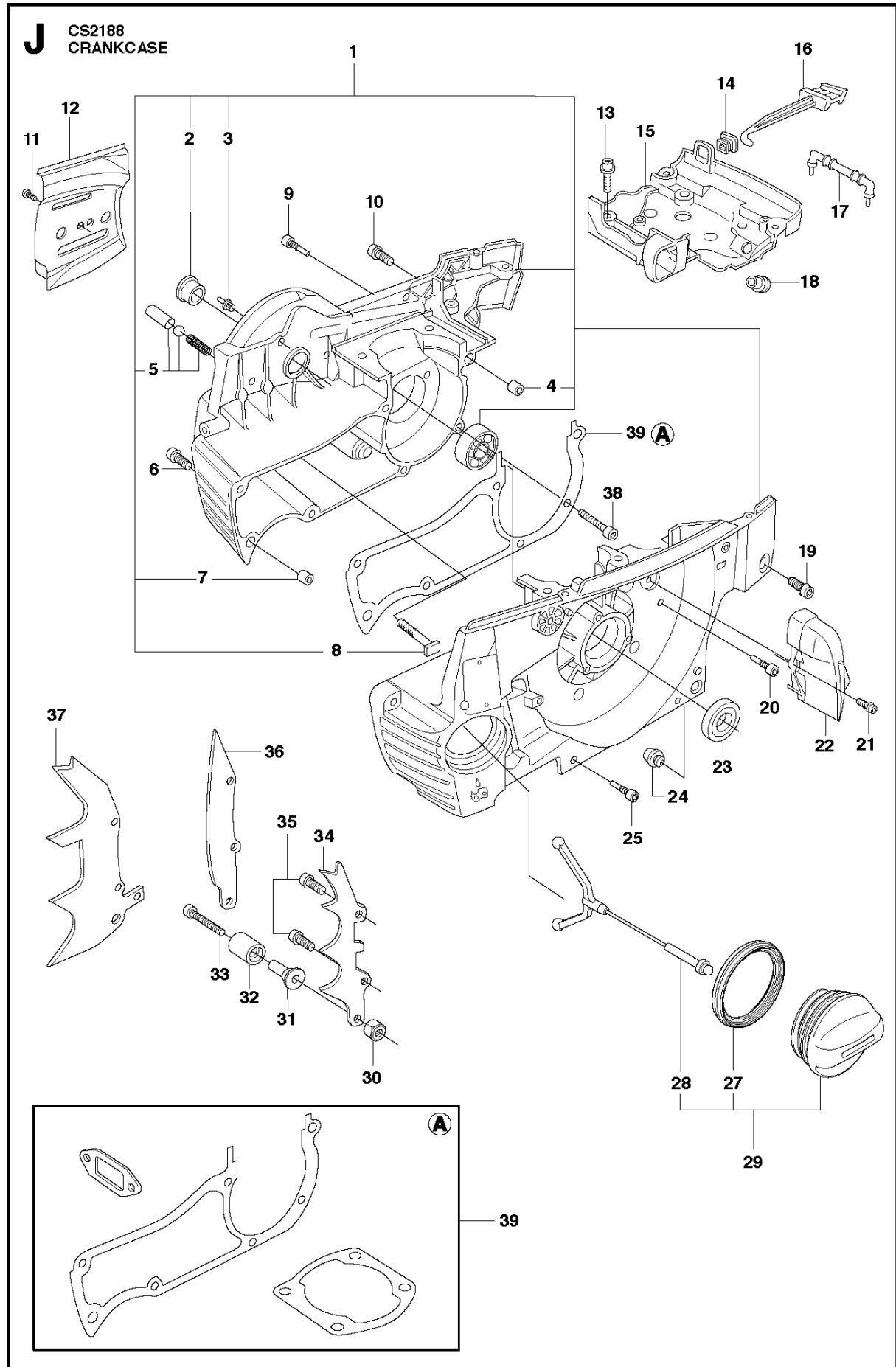
**B** CS2188  
CLUTCH & OIL PUMP



## CLUTCH &amp; OIL PUMP

CS2188 from 2011-05 -

Ref	Part No	Description	Remark	QTY KIT	
1	503 52 13-05	OIL PUMP ASSY		1	
2	503 62 49-01	SEALING PLUG		1	1
3	537 10 64-01	PUMP PISTON		1	1
4	725 53 29-56	SCREW IHSCM		2	
5	503 23 00-04	WASHER		2	1
6	501 61 58-01	SPRING		1	1
7	537 39 60-01	INSERT		1	1
8	503 42 67-01	OIL HOSE		1	
9	501 54 41-02	OIL SCREEN		1	
10	503 77 43-01	OIL PIPE		1	
11	503 64 47-01	INLET OIL PIPE		1	
12	504 30 00-26	SEALING		1	
13	503 97 50-01	CLUTCH ASSY		1	
14	503 97 51-01	CLUTCH SPRING		3	13
15	503 43 20-01	NEEDLE HOLDER		1	18
16	501 59 80-02	RIM	"3/8"x7T"	1	18
16	505 30 36-61	RIM	"3/8"x8T"	1	18
17	537 20 78-06	PUMP PINION		1	
18	537 13 79-71	CLUTCH DRUM	"3/8"x7T"	1	
18	537 13 79-72	CLUTCH DRUM	"3/8"x8T"	1	
19	503 75 24-01	WASHER		1	
20	503 27 21-01	E-CLIP		1	

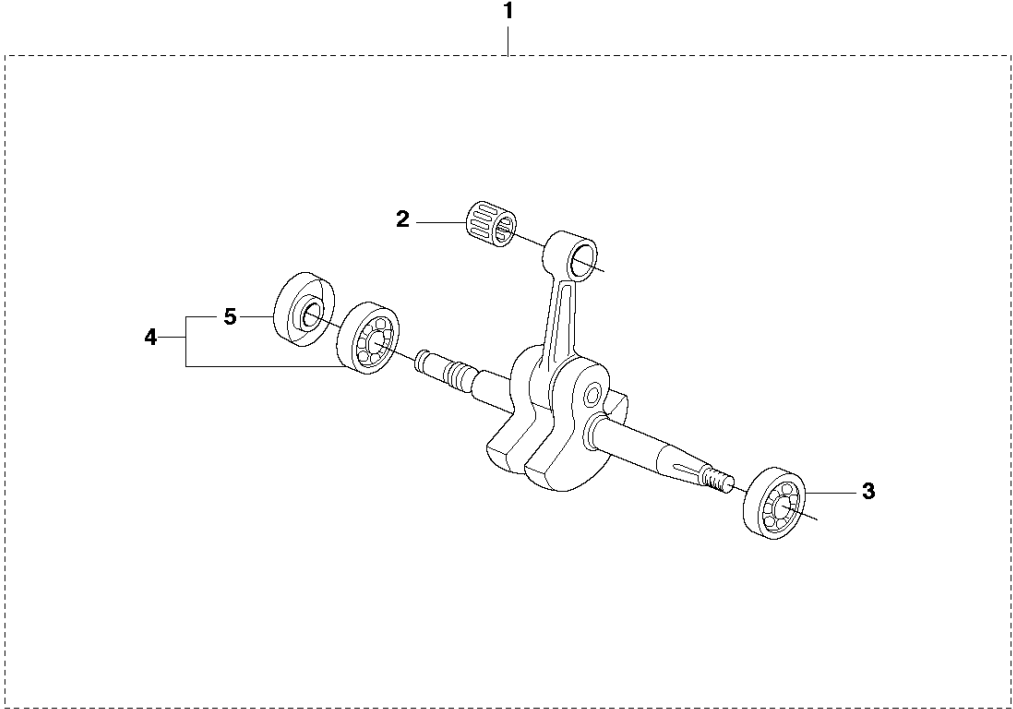


## CRANKCASE

CS2188 from 2011-05 -

Ref	Part No	Description	Remark	QTY	KIT
1	503 99 11-06	CRANKCASE ASSY		1	
2	503 96 70-01	BUSHING		1	1
3	503 75 18-01	PIN KNEE-JOINT		1	1
4	501 27 08-01	GUIDE BUSHING		1	1
5	537 04 03-01	VALVE		1	1
6	503 21 88-74	SCREW IHSCFT		1	
7	501 27 08-01	GUIDE BUSHING		1	1
8	537 05 13-01	BAR BOLT		2	1
9	503 74 93-01	SCREW		1	
10	503 21 88-74	SCREW IHSCFT		1	
11	503 21 28-10	SCREW CCRPANT		1	
12	537 04 66-01	KIT		1	
13	503 20 02-12	SCREW IHSCFM		4	
14	503 73 44-01	GROMMET		1	
15	537 00 14-04	CARBURETTOR AREA BAS		1	
16	537 00 12-01	CHOKE CONTROL		1	
17	579 46 89-01	SUPPORT		1	
18	537 09 54-01	GROMMET		1	
19	503 21 88-74	SCREW IHSCFT		1	
20	503 74 93-01	SCREW		1	
21	503 20 02-12	SCREW IHSCFM		1	
22	537 00 79-01	AIR NOZZLE		1	
23	503 26 02-05	SEALING RING		1	
24	503 84 61-01	BUFFER		2	
25	503 74 93-01	SCREW		1	
27	537 21 50-01	SEALING		1	29
28	503 57 89-01	HOLDER		1	29
29	537 21 52-01	TANK CAP ASSY		1	
30	503 22 24-01	LOCKING NUT		1	
31	537 08 92-01	CHAIN CATCHER		1	
32	537 02 44-01	WEAR PROTECTION		1	
33	503 20 02-30	SCREW IHSCFM		1	
34	537 01 71-01	BARKSTØD		1	
35	503 21 26-16	SCREW IHPANM		1	
36	537 04 29-01	BUMPER		1	
37	537 01 72-01	BARKSTØD	WA	1	
38	503 20 16-35	SCREW IHSCFM		6	
39	537 03 39-01	GASKET KIT	A = Set of gaskets	1	

**E** CS2188  
CRANKSHAFT



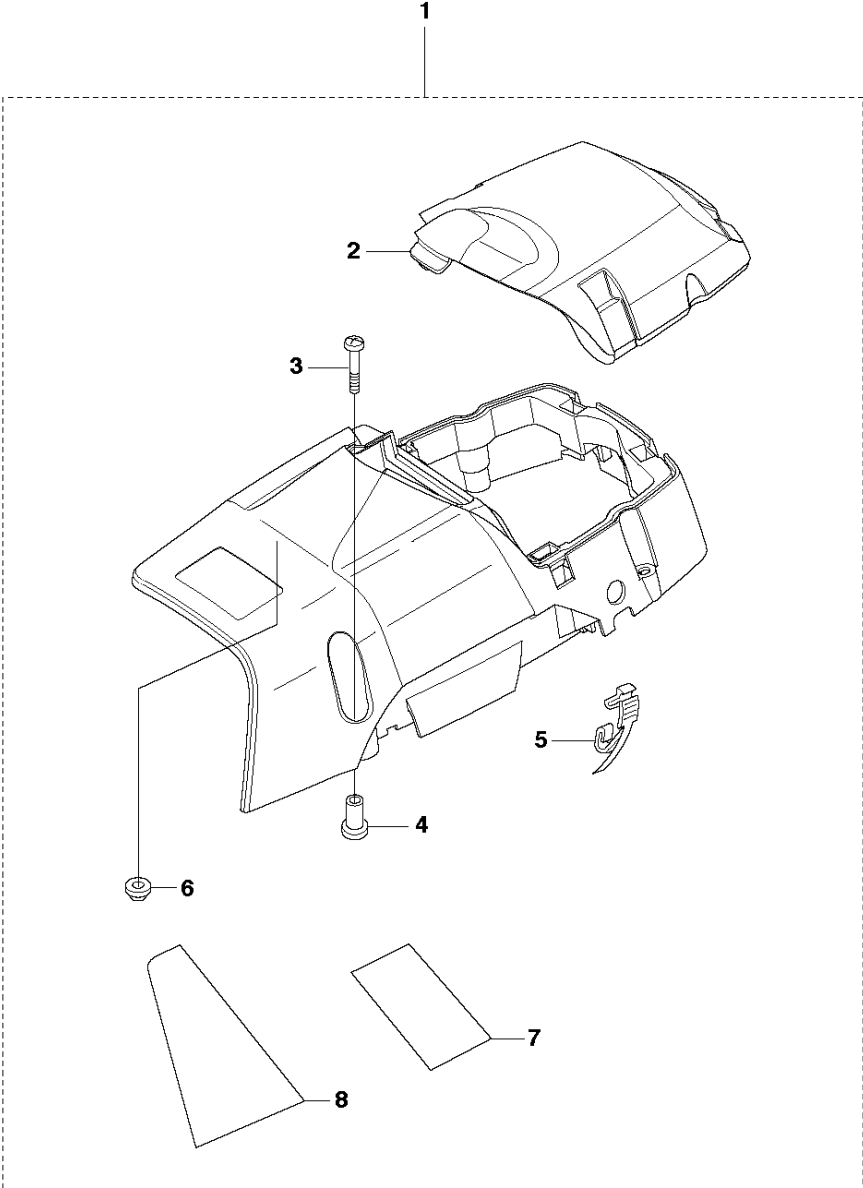


## CRANKSHAFT

CS2188 from 2011-05 -

Ref	Part No	Description	Remark	QTY KIT	
1	503 99 34-04	CRANKSHAFT		1	
2	503 25 61-01	NEEDLE BEARING		1	1
3	738 22 03-25	BALL BEARING		1	1
4	503 25 13-01	BALL BEARING		1	1
5	503 26 22-01	SEALING RING		1	1, 4

**C** CS2188  
CYLINDER COVER

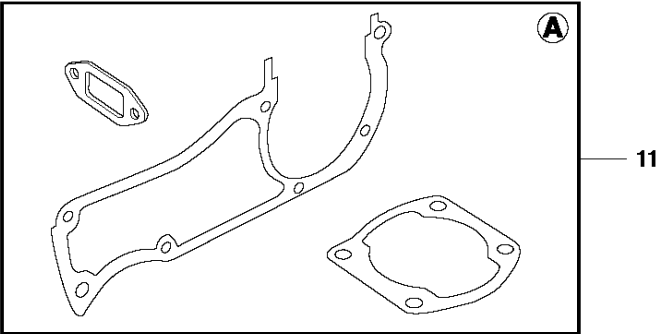
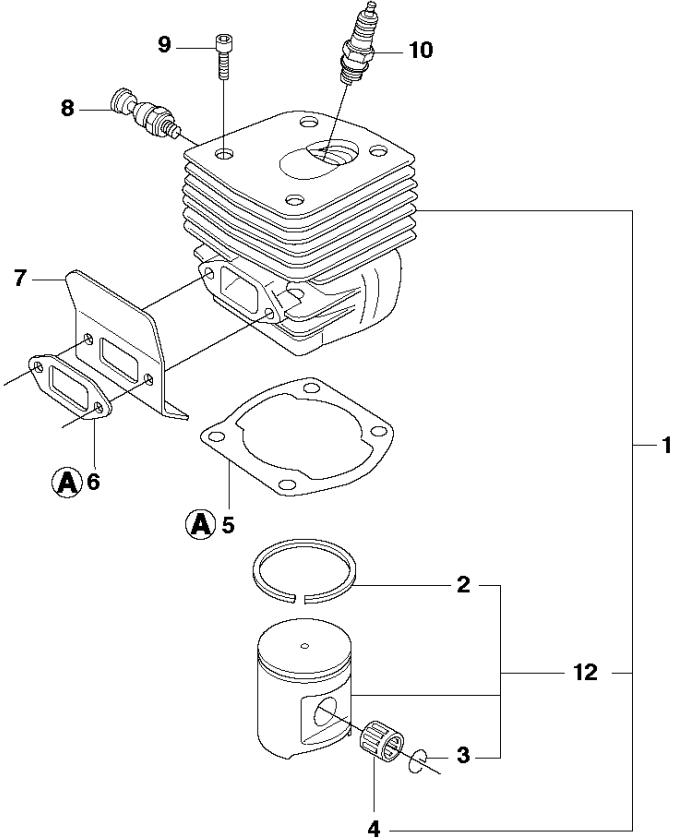


## CYLINDER COVER

CS2188 from 2011-05 -

Ref	Part No	Description	Remark	QTY	KIT
1	537 16 80-01	CYLINDER COVER ASSY		1	
2	537 16 82-01	FILTER COVER		1	1
3	503 20 44-26	SCREW CRPANMO		3	1
4	537 13 72-01	SLEEVE		3	1
5	503 69 91-02	SNAP		4	1
6	537 01 65-01	SUPPORT		1	1
7	537 25 35-01	HEAT PROTECTOR		1	1
8	537 25 34-01	HEAT PROTECTOR		1	1

**D** CS2188  
CYLINDER PISTON

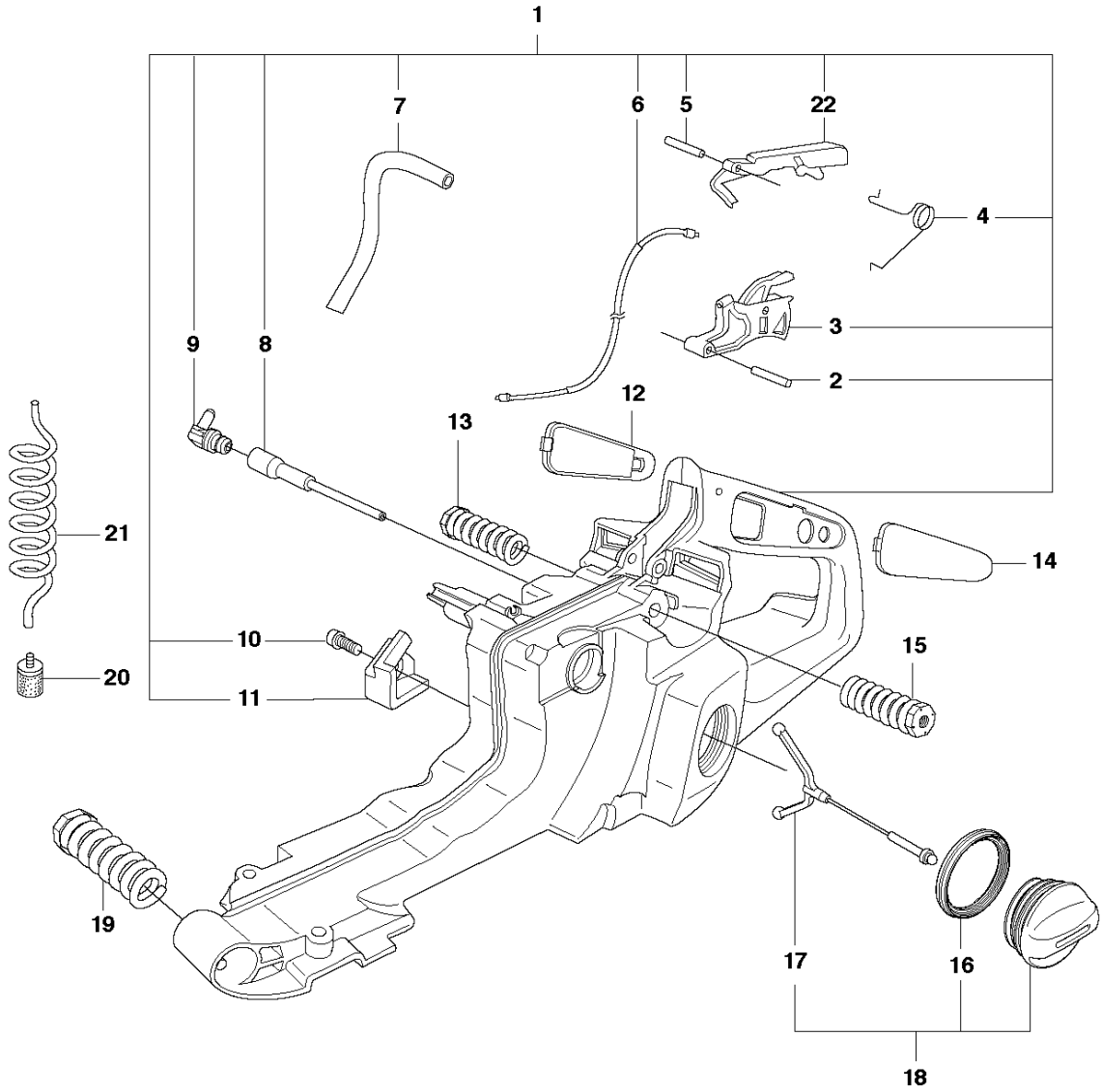


## CYLINDER PISTON

CS2188 from 2011-05 -

Ref	Part No	Description	Remark	QTY	KIT
1	544 00 65-02	CYLINDER ASSY		1	
2	503 28 90-53	PISTON RING		2	12
3	737 44 13-00	CIRCLIP		2	12
4	503 25 61-01	NEEDLE BEARING		1	1
5	537 00 57-01	GASKET		1	11
6	503 77 59-01	GASKET MUFFLER		1	11
7	537 08 62-01	HEAT DEFLECTOR		1	
8	503 71 53-01	DECOMPRESSION VALVE		1	
9	725 53 33-55	SCREW IHSCM		4	
10	503 23 51-11	SPARK PLUG	BPMR7A	1	
11	537 03 39-01	GASKET KIT	A = Set of gaskets	1	
12	537 42 02-02	PISTON ASSY		1	1

**H** CS2188  
FUEL TANK & HANDLE

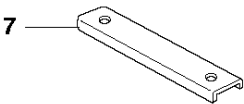
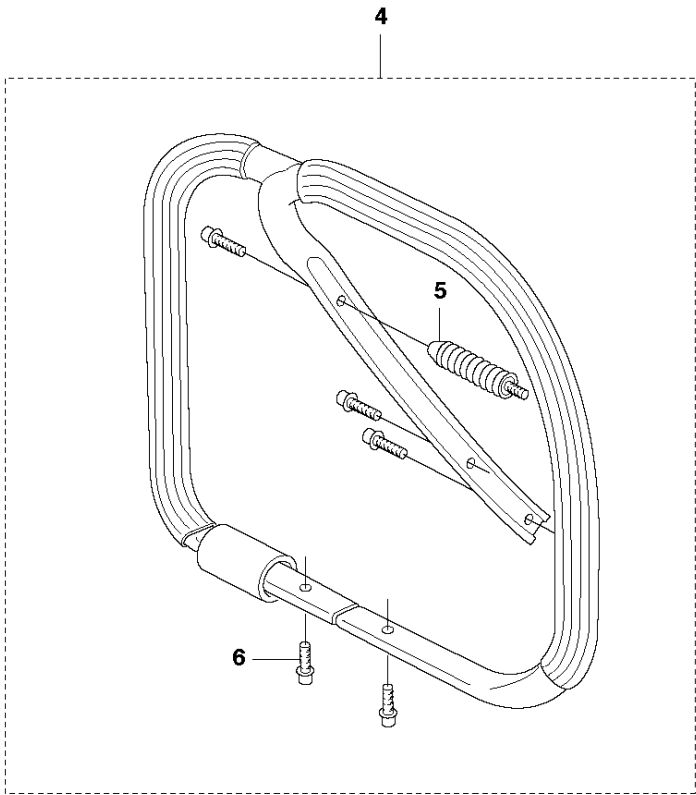
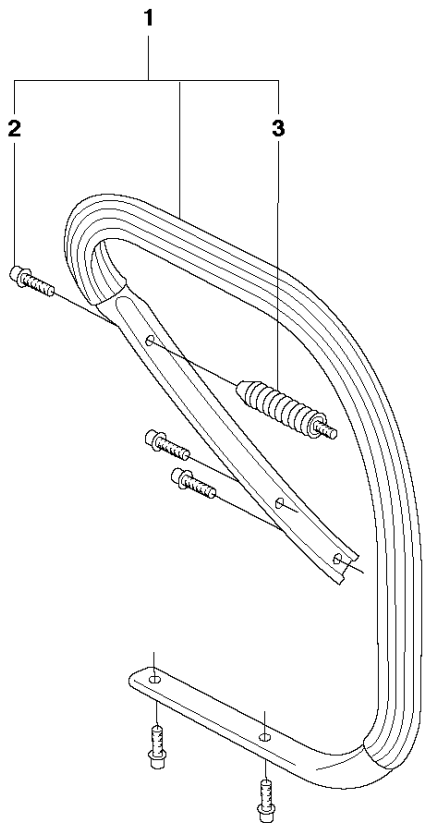


## FUEL TANK

CS2188 from 2011-05 -

Ref	Part No	Description	Remark	QTY	KIT
1	537 00 03-72	FUEL TANK		1	
2	720 12 72-20	PARALLEL PIN		1	1
3	503 82 98-02	THROTTLE TRIGGER		1	1
4	503 73 64-01	SPRING		1	1
5	720 12 40-20	PARALLEL PIN		1	1
6	503 71 76-01	THROTTLE WIRE ASSY		1	1
7	581 75 61-06	FUEL HOSE		1	1
8	537 09 22-01	TANK VENT ASSY		1	1
9	537 09 93-01	CONNECTION BEND		1	1
10	503 21 88-74	SCREW IHSCFT		1	1
11	537 00 88-02	COVER	Std	1	1
12	537 03 34-02	HANDLE INSERT	Hard	1	
13	537 01 79-01	INSULATOR		1	
14	537 03 34-02	HANDLE INSERT		1	
15	537 01 79-01	INSULATOR		1	
16	537 21 50-01	SEALING		1	18
17	503 57 89-01	HOLDER		1	18
18	537 21 52-01	TANK CAP ASSY	Std	1	
19	537 01 75-01	INSULATOR	Hard	1	
20	503 44 32-01	FILTER		1	
21	581 75 62-02	FUEL HOSE		1	
22	503 55 66-02	THROTTLE LOCKOUT		1	1

**K** CS2188  
HANDLE



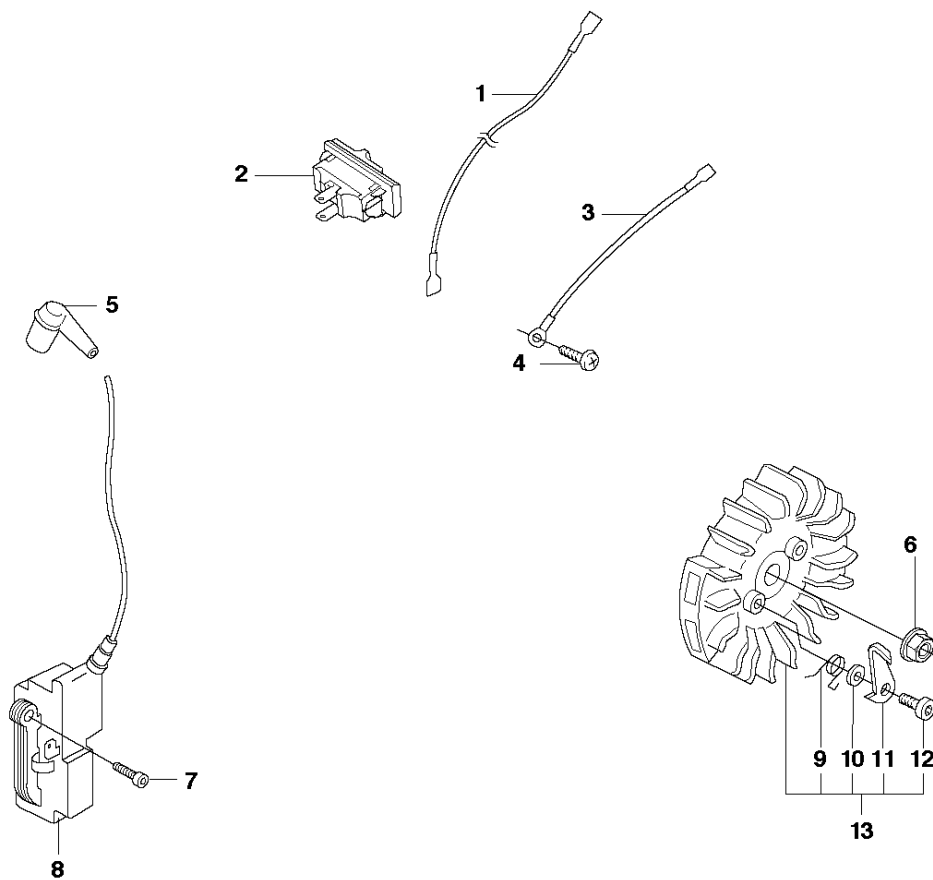


## HANDLE

CS2188 from 2011-05 -

Ref	Part No	Description	Remark	QTY	KIT
1	537 16 78-71	FRONT HANDLE ASSY		1	
2	503 21 88-74	SCREW IHSCFT		5	1
3	503 52 87-02	LATERAL SUPPORT ASSY		1	1
4	537 16 79-71	FRONT HANDLE ASSY	WA	1	
5	503 52 87-02	LATERAL SUPPORT ASSY		1	4
6	503 21 88-74	SCREW IHSCFT		5	4
7	537 03 73-01	REINFORCING PLATE	WA	1	

**L** CS2188  
IGNITION SYSTEM

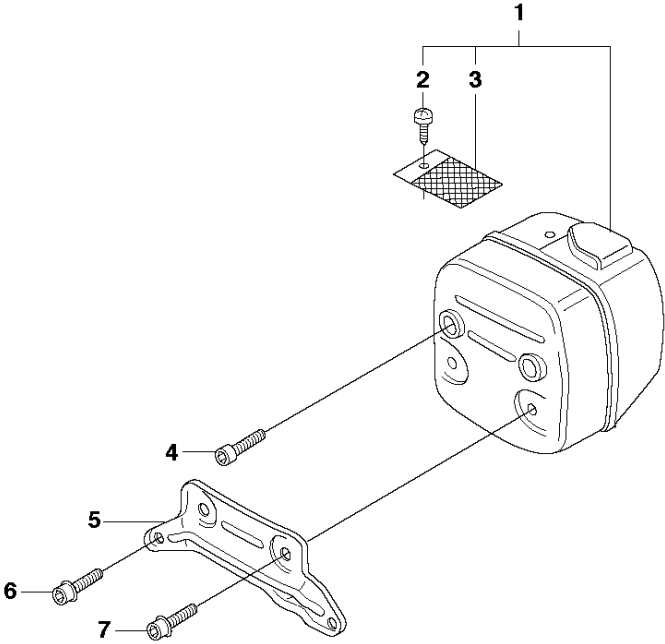


## IGNITION SYSTEM

CS2188 from 2011-05 -

Ref	Part No	Description	Remark	QTY KIT	
1	503 62 61-02	CABLE		1	
2	503 71 82-01	SWITCH	COT	1	
3	503 89 76-01	CABLE		1	
4	503 21 28-10	SCREW CCRPANT		1	
5	501 48 54-02	SPARK PLUG CAP		1	
6	503 22 04-01	NUT		1	
7	503 20 02-20	SCREW IHSCFM		2	
8	510 11 49-01	IGNITION MODULE		1	
9	501 67 35-01	SPRING		2	13
10	503 23 00-42	WASHER		2	13
11	537 01 55-01	STARTER PAWL		2	13
12	501 81 99-01	SCREW		2	13
13	537 05 16-05	FLYWHEEL ASSY		1	

**F** CS2188  
MUFFLER

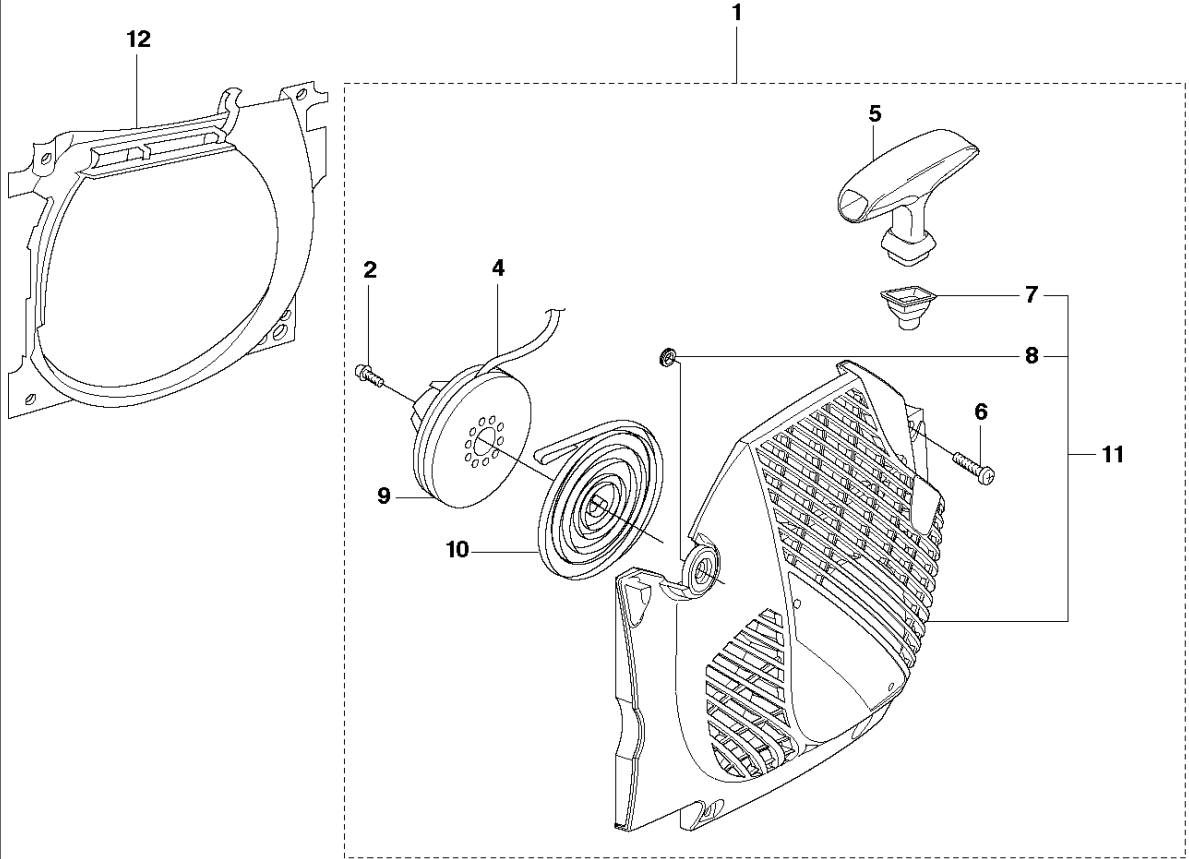


## MUFFLER

CS2188 from 2011-05 -

Ref	Part No	Description	Remark	QTY	KIT
1	585 44 83-01	MUFFLER ASSY	DF	1	
2	724 12 87-59	SCREW CRPANM		1	1
3	503 76 64-02	SPARK ARRESTOR SCREEN		1	1
4	725 53 70-55	SCREW IHSCM		2	
5	579 02 59-01	SUPPORT		1	
6	503 20 02-16	SCREW IHSCFM		2	
7	503 20 07-12	SCREW IHSCFM		2	

**M** CS2188  
STARTER



Jonsered  
CS 2188

**13**

UNICOR

## STARTER

CS2188 from 2011-05 -

Ref	Part No	Description	Remark	QTY	KIT
1	537 16 83-71	STARTER ASSY		1	
2	503 21 52-16	SCREW IHSCFT		1	1
4	503 43 29-02	STARTER CORD		1	1
5	537 19 65-01	STARTER HANDLE		1	1
6	544 08 03-01	SCREW CIHPANMO		4	
7	501 63 06-01	REINFORCEMENT SLEEVE		1	1,11
8	537 08 67-01	BUSHING		1	1,11
9	503 85 96-01	STARTER PULLEY		1	1
10	503 78 72-01	RECOIL SPRING		1	1
11	537 16 84-71	STARTER HOUSING		1	1
12	537 00 13-01	AIR CONDUCTOR		1	
13	537 16 89-05	LABEL		1	

# Illustrated Parts List - IPL Update



Product Name(s)

**CS2188 XP**

Description of change

1. Muffler . New reinforced

Comments

All updates are fully interchangeable

Introduced from

<b>Serial number / Date</b>	<b>Remark</b>
20140800193 -	Muffler assy 585 44 83-01

IPL updates

<b>Page Title</b>	<b>Ref. no</b>	<b>New part no</b>	<b>Name</b>	<b>Excl. part no.</b>	<b>Remark</b>
Muffler	1	585 44 83-01	Muffler assy DF	544 02 91-04	