

550XP

Spare parts

Ersatzteile

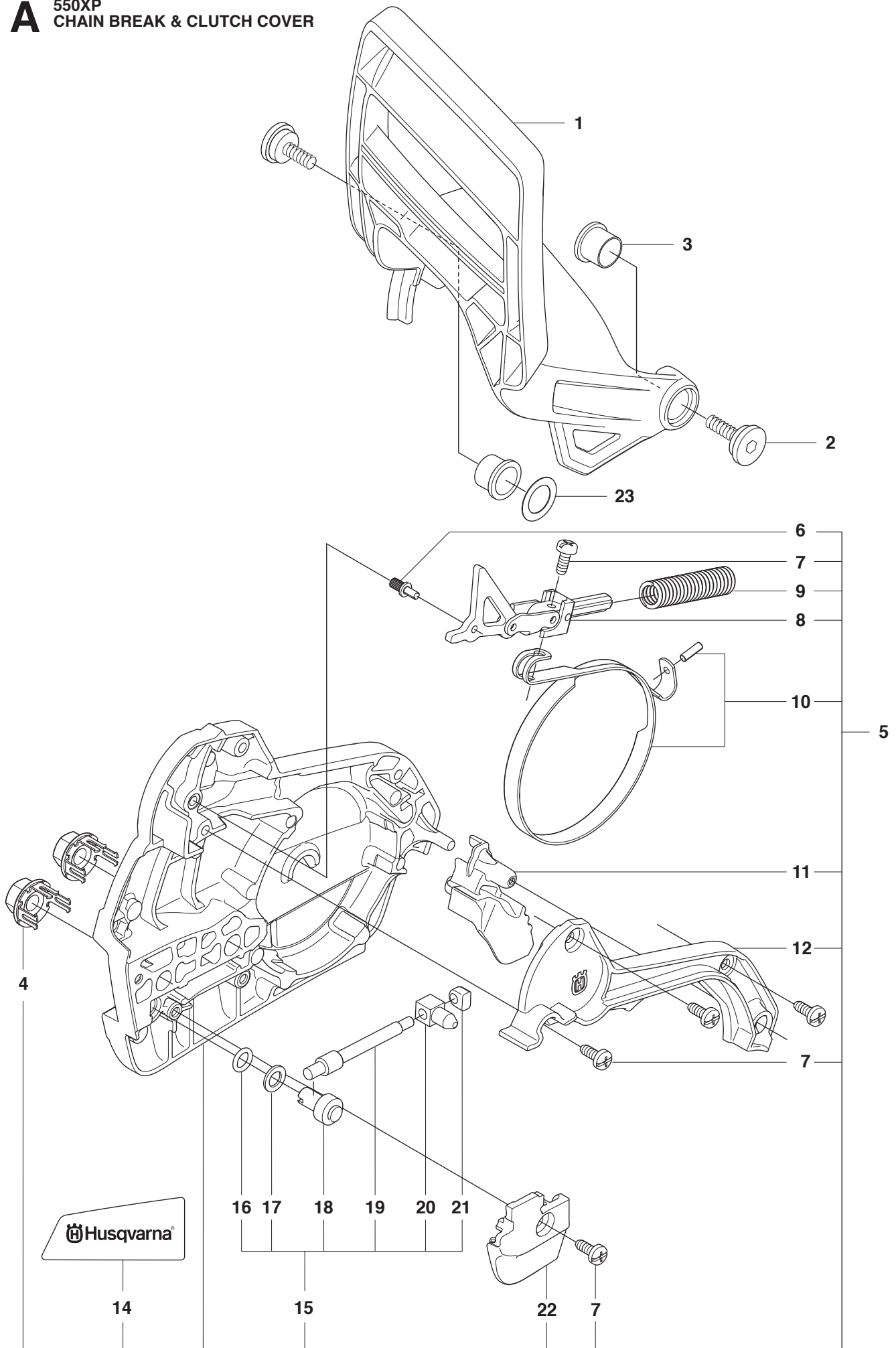
Pièces détachées

Reserve onderdelen

Repuestos

Reservdelar

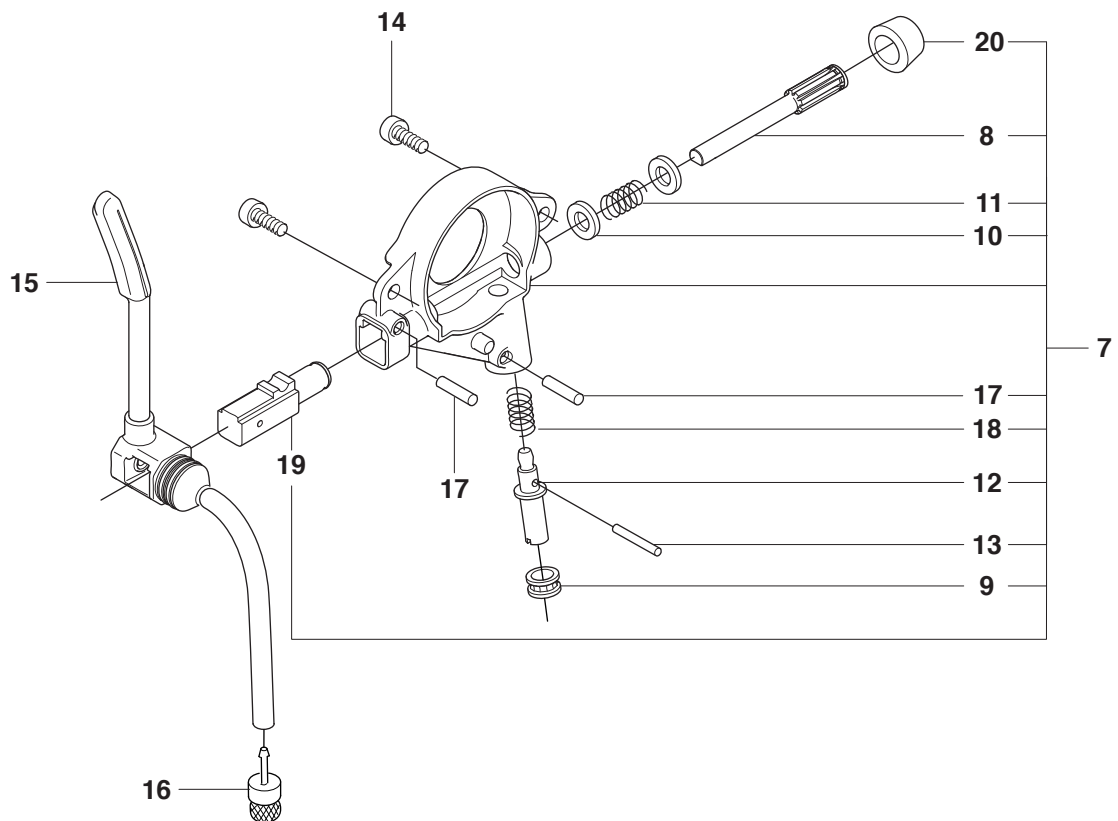
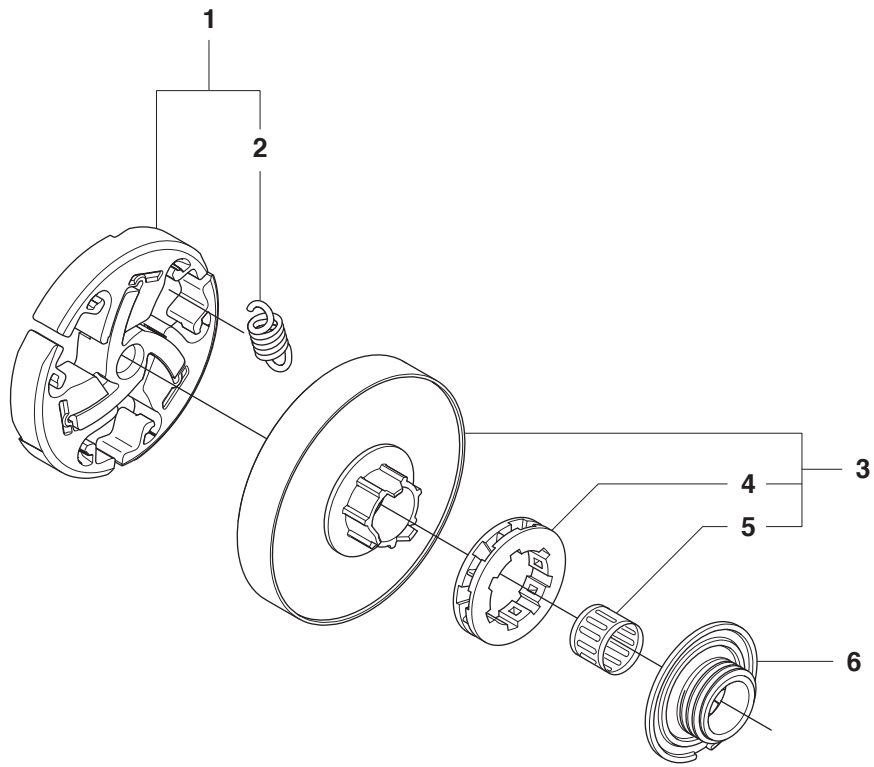
A 550XP
CHAIN BREAK & CLUTCH COVER



Page A 550 XP CHAIN BRAKE AND CLUTCH COVER

Position	Article	Quantity	Notes	Kit
1	522 67 75-01	1		
2	537 20 90-01	2		
3	537 20 28-01	2		
4	505 19 73-01	2		
5	505 19 90-01	1		
6	503 75 18-01	1		5
7	503 21 70-10	5		5
8	505 19 93-01	1		5
9	503 90 83-01	1		5
10	505 19 95-01	1		5
11	505 20 16-01	1		5
12	505 19 97-01	1		5
14	523 05 80-01	1		5
15	575 26 04-01	1		5
16	740 48 07-02	1		15, 5
17	503 23 00-63	1		15, 5
18	537 07 94-03	1		15, 5
19	575 61 03-01	1		15, 5
20	537 28 66-02	1		15, 5
21	537 01 74-01	1		15, 5
22	505 19 98-01	1		5
23	503 23 00-85	1		

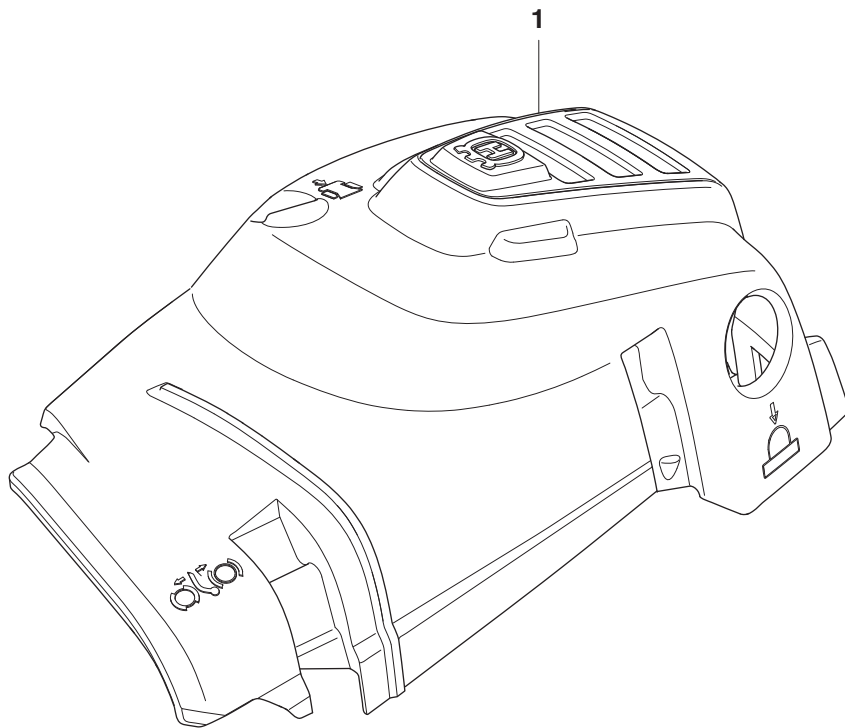
B 550XP
CLUTCH & OIL PUMP



Page B 550 XP CLUTCH AND OIL PUMP

Position	Article	Quantity	Notes	Kit
1	574 23 61-01	1		
2	537 16 69-01	3		1
3	575 26 10-01	1	.325"x7	
4	501 45 74-02	1	.325"x7	3
5	503 25 52-01	1		3
6	505 20 08-01	1		
7	505 19 99-01	1		
8	505 20 02-01	1		7
9	505 20 03-01	1		7
10	503 23 00-60	2		7
11	503 89 16-01	1		7
12	505 20 14-01	1		7
13	721 11 64-30	1		7
14	510 02 06-01	2		
15	505 20 04-01	1		
16	504 71 00-03	1		
17	720 12 33-00	2		7
18	503 89 15-01	1		7
19	505 20 01-01	1		7
20	503 62 49-01	1		7

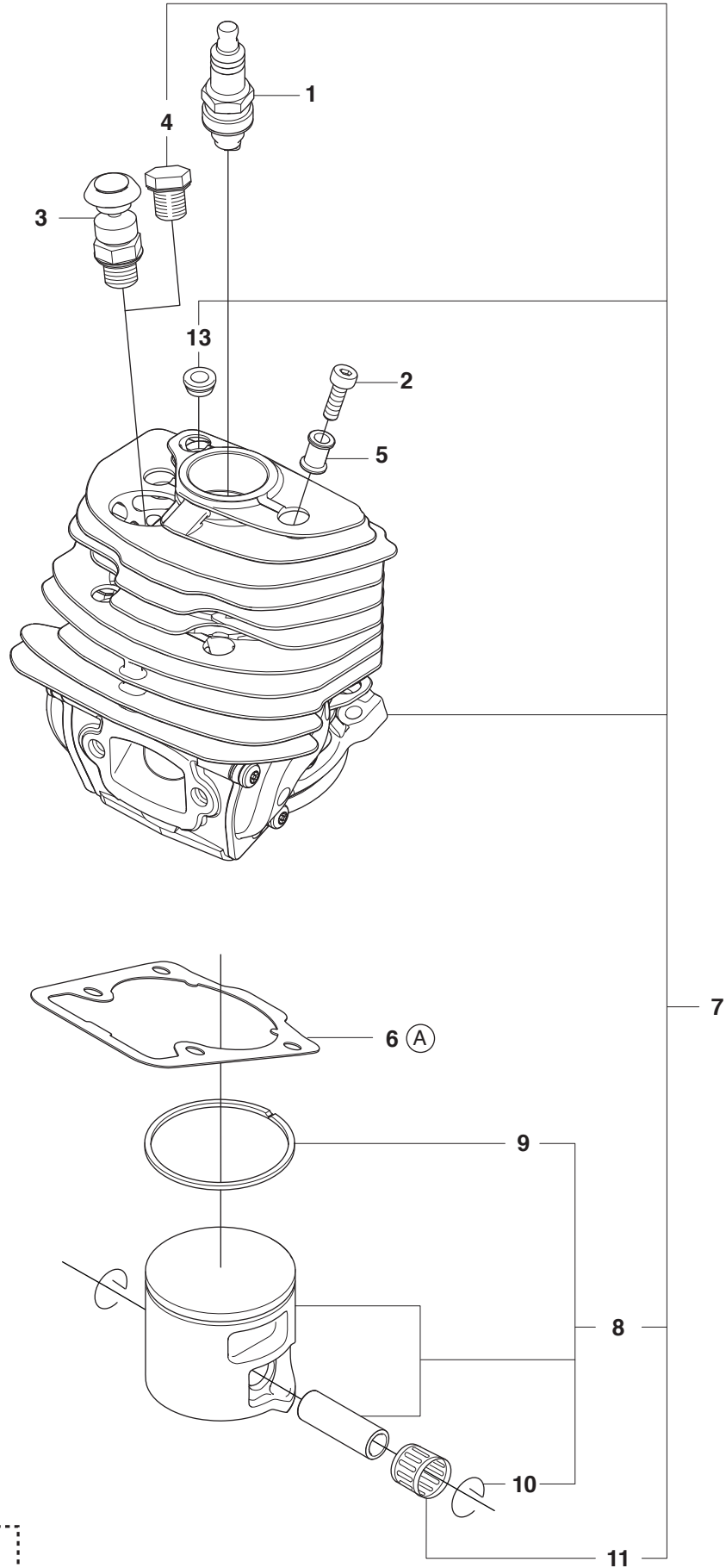
C 550XP
CYLINDER COVER



Page C 550XP CYLINDER COVER

Position	Article	Quantity	Notes	Kit
1	522 74 12-01	1		

D 550XP
CYLINDER PISTON

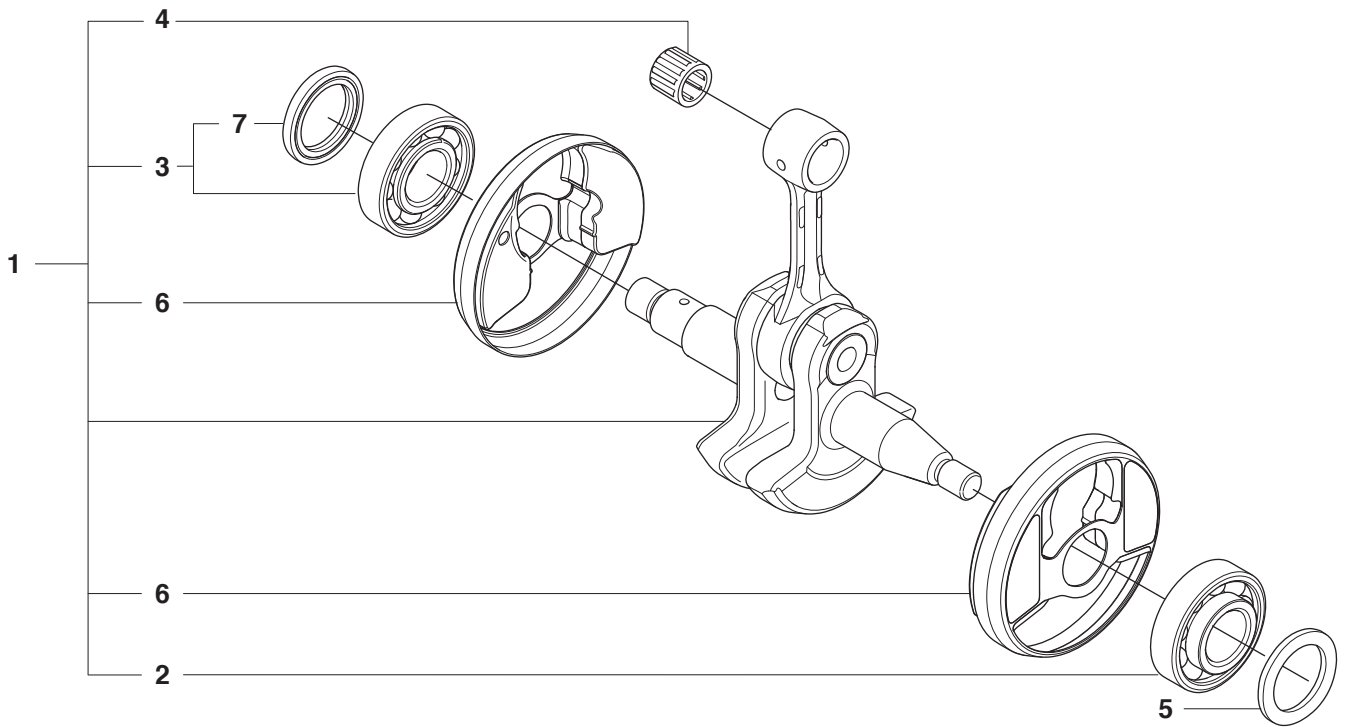


(A) 577 76 66-02
Set of gaskets

Page D 550 XP CYLINDER PISTON

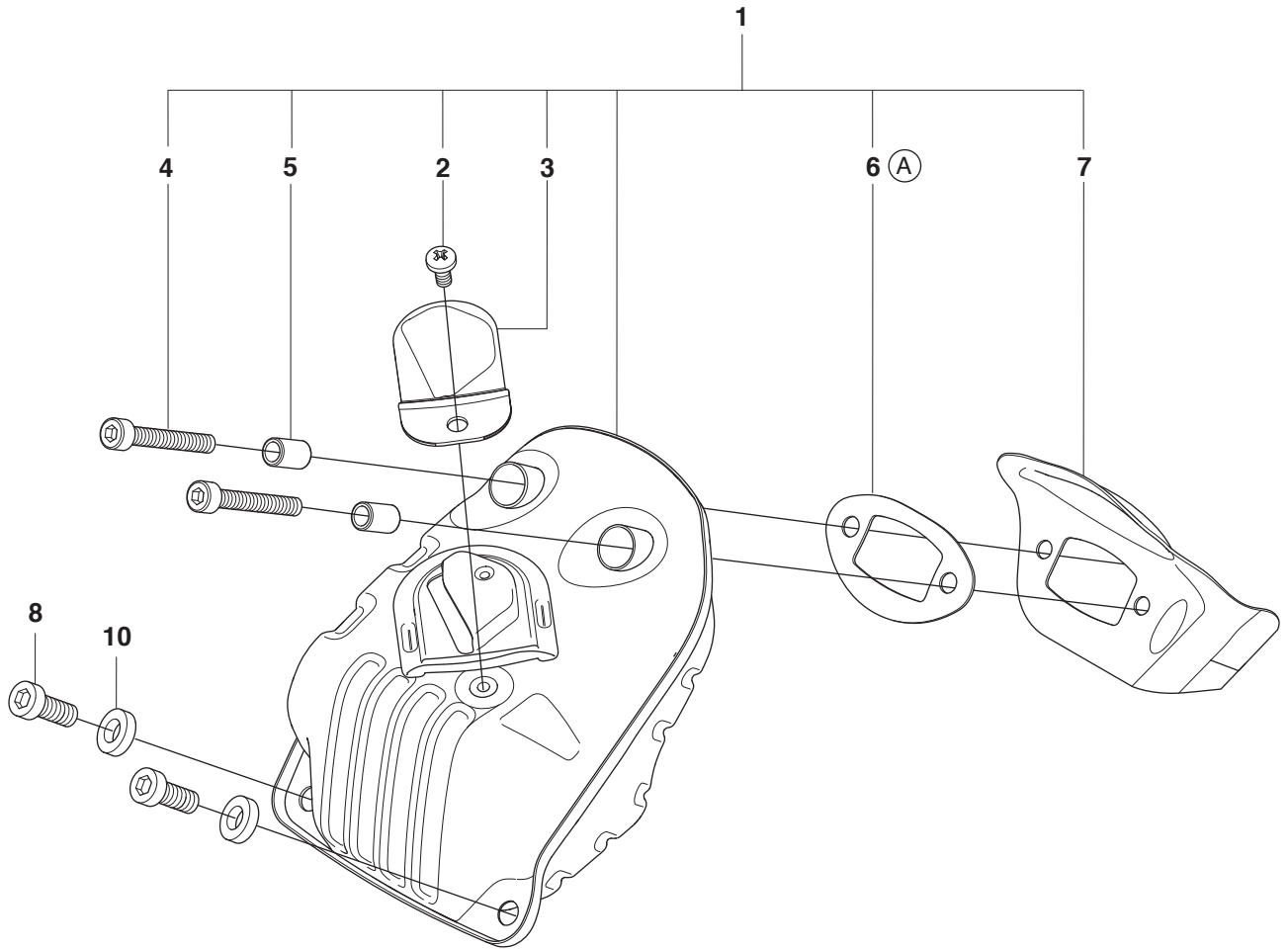
Position	Article	Quantity	Notes	Kit
1	574 51 96-01	1		
2	725 53 37-55	4		
3	575 27 69-01	1		
4	503 55 22-01	1		
5	576 71 76-02	4		
6	525 31 58-01	1		12
7	577 76 47-01	1		
8	577 04 70-02	1		7
9	577 95 83-01	1		8, 7
10	737 44 10-00	2		8, 7
11	503 25 63-01	1		7
12	577 76 66-01	1	A=set of gaskets	
13	520 29 11-01			7

E 550XP
CRANKSHAFT



Page E 550 XP CRANKSHAFT				
Position	Article	Quantity	Notes	Kit
1	577 76 73-01	1		
2	505 13 35-01	1		1
3	525 43 42-01	1		1
4	503 25 63-01	1		1
5	525 39 12-01	1		
6	522 73 77-01	2		1
7	503 26 09-01	1		1, 3

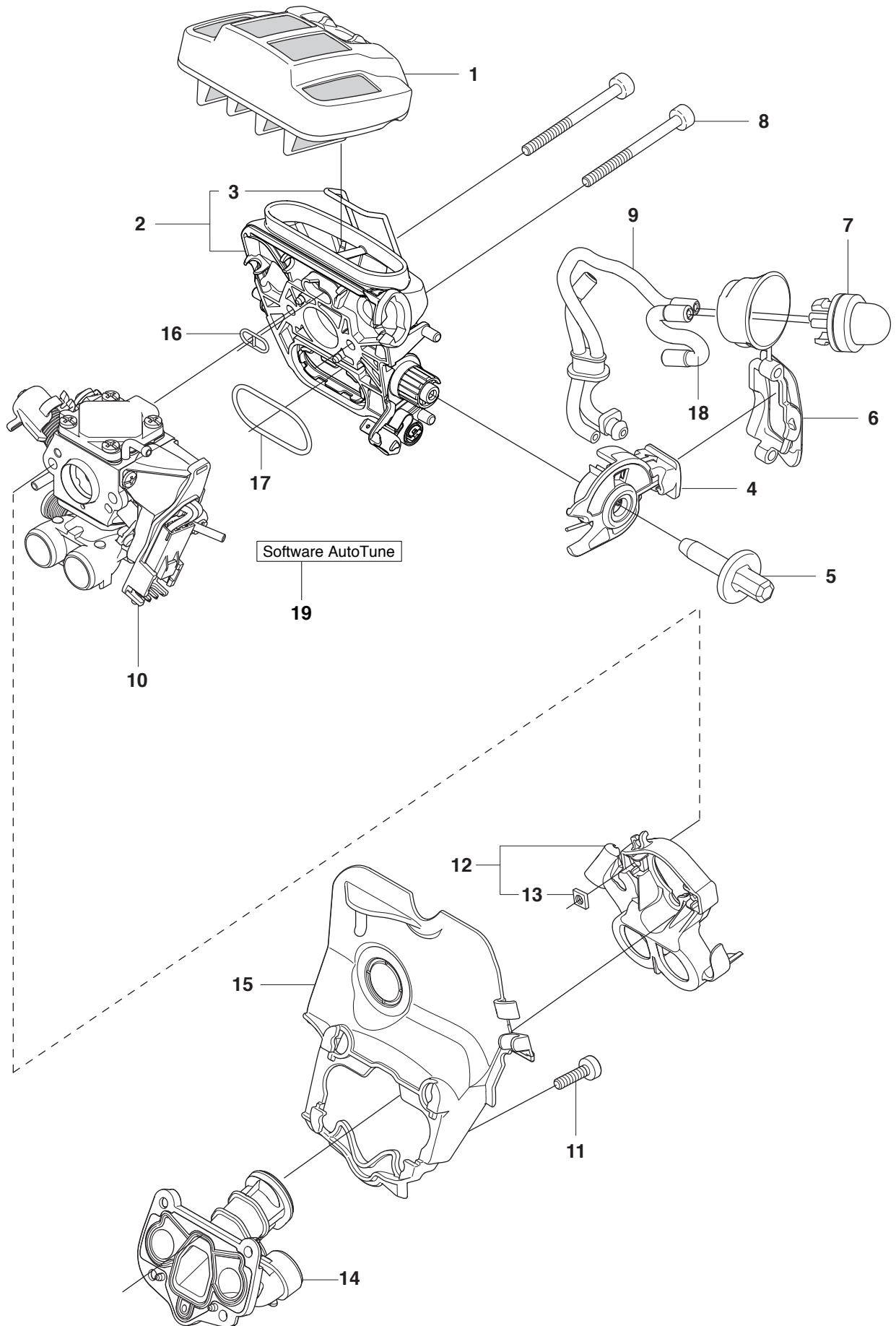
F 550XP
MUFFLER



9
(A) 577 76 66-02
Set of gaskets

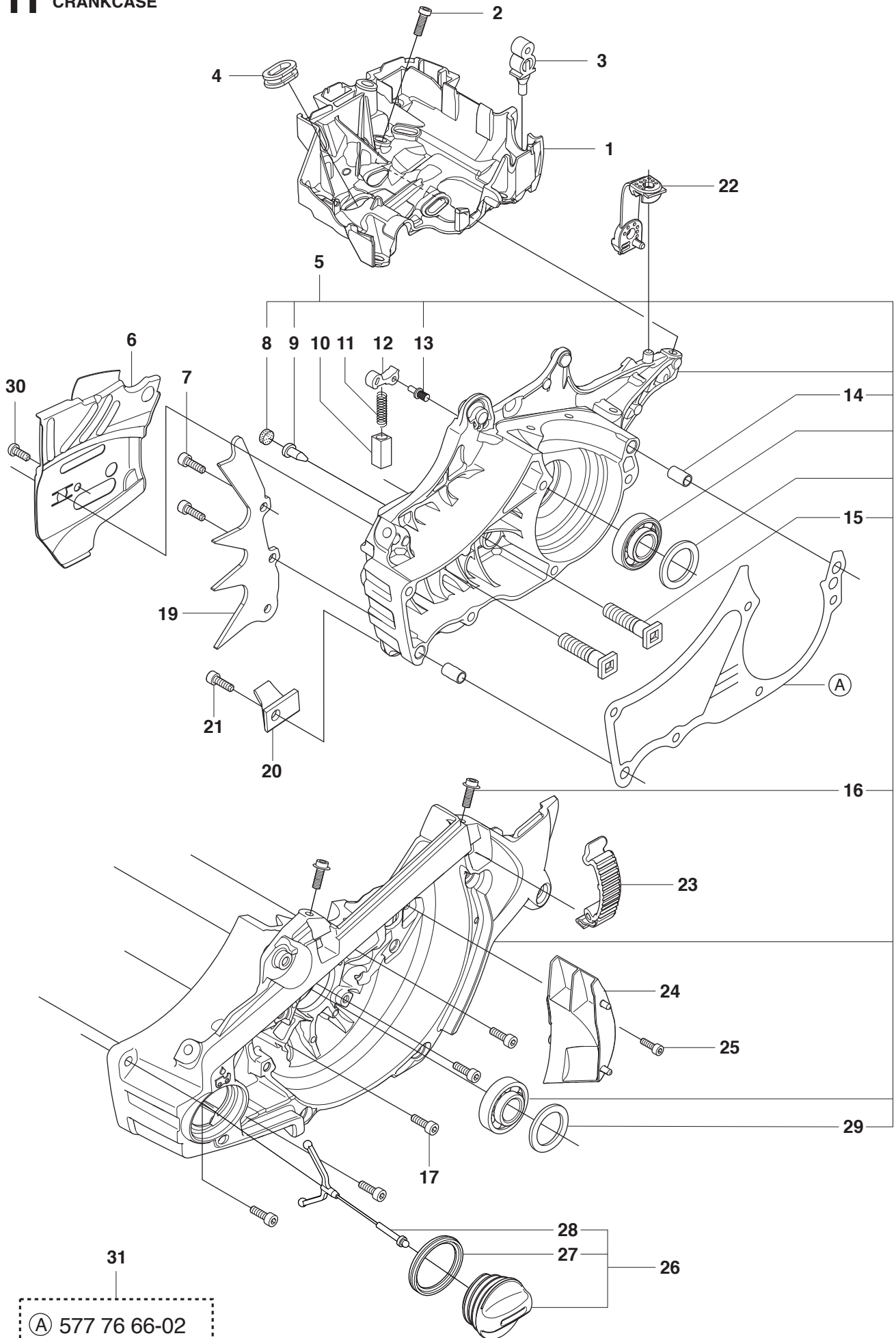
Page F 550 XP MUFFLER				
Position	Article	Quantity	Notes	Kit
1	523 05 26-01	1		
2	724 12 87-59	1		1
3	505 17 13-01	1		1
4	725 53 76-55	2		1
5	576 88 56-01	2		1
6	523 05 24-01	1		1, 9
7	523 05 25-01	1		1
8	503 20 73-20	2		
9	577 76 66-02	1	A=set of gaskets	
10	577 90 22-01	2		

G 550XP
CARBURETOR & AIR FILTER



Position	Article	Quantity	Notes	Kit
1	522 67 54-01	1	NYLON 80 µm black	
1	522 67 54-02	1	NYLON 44 µm yellow	
1	522 67 54-03	1	FELT white	
2	522 90 76-01	1	XP	
2	522 90 76-02	1	XPG	
3	522 90 73-01	1		2
4	510 01 72-01	1		
5	505 15 62-01	1		
6	525 58 81-01	1		
7	503 93 66-01	1		
8	503 20 25-50	2		
9	505 17 80-01	1		
10	579 20 03-01	1		
11	510 02 06-01	4		
12	523 06 40-01	1		
13	503 22 65-03	2		12
14	525 50 00-01	1		
15	522 95 10-01	1		
16	525 61 92-01	1		
17	525 61 90-01	1		
18	523 05 68-01	1		
19			Download from your local supportsite	

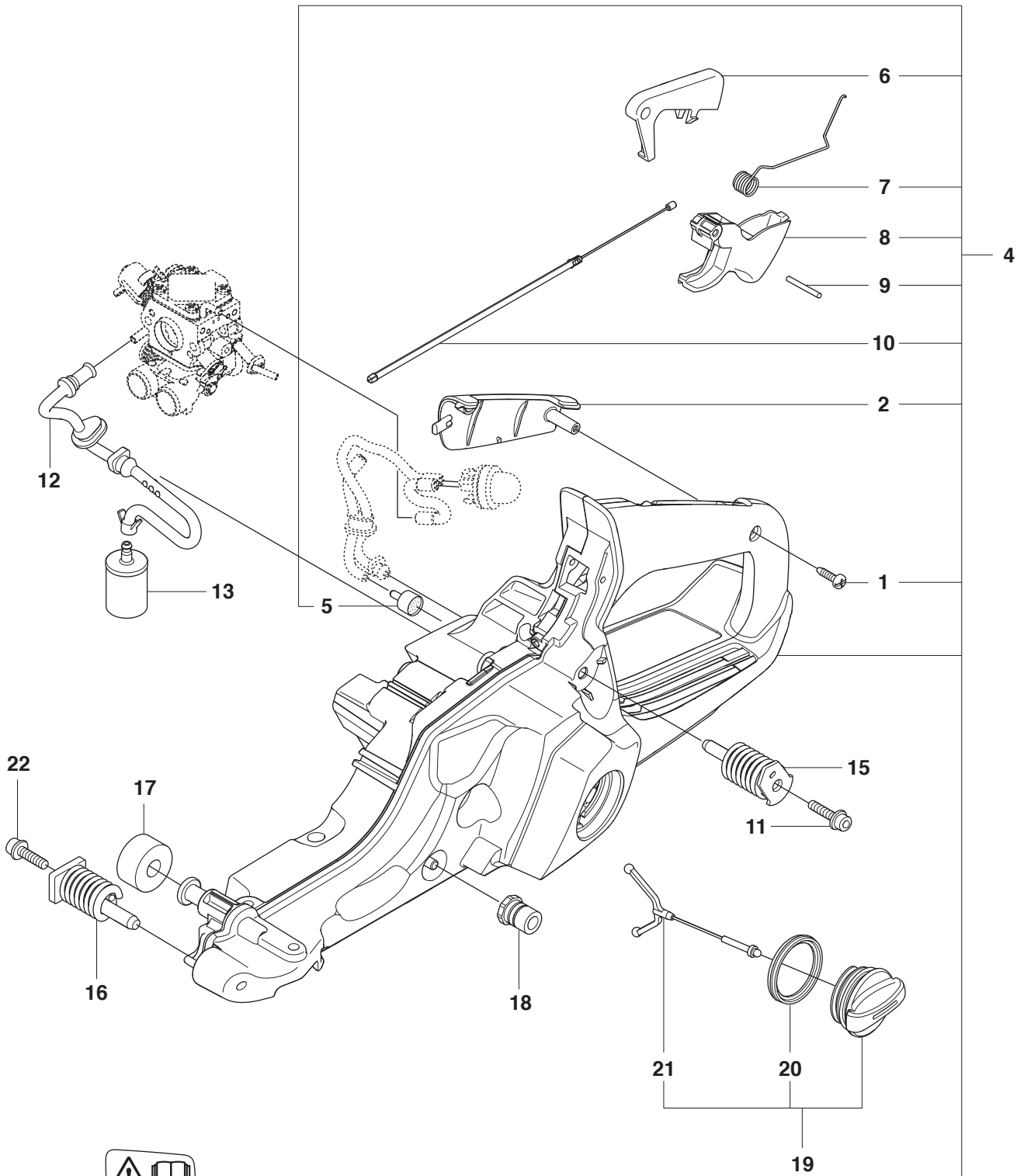
H 550XP
CRANKCASE



Ⓐ 577 76 66-02
Set of gaskets

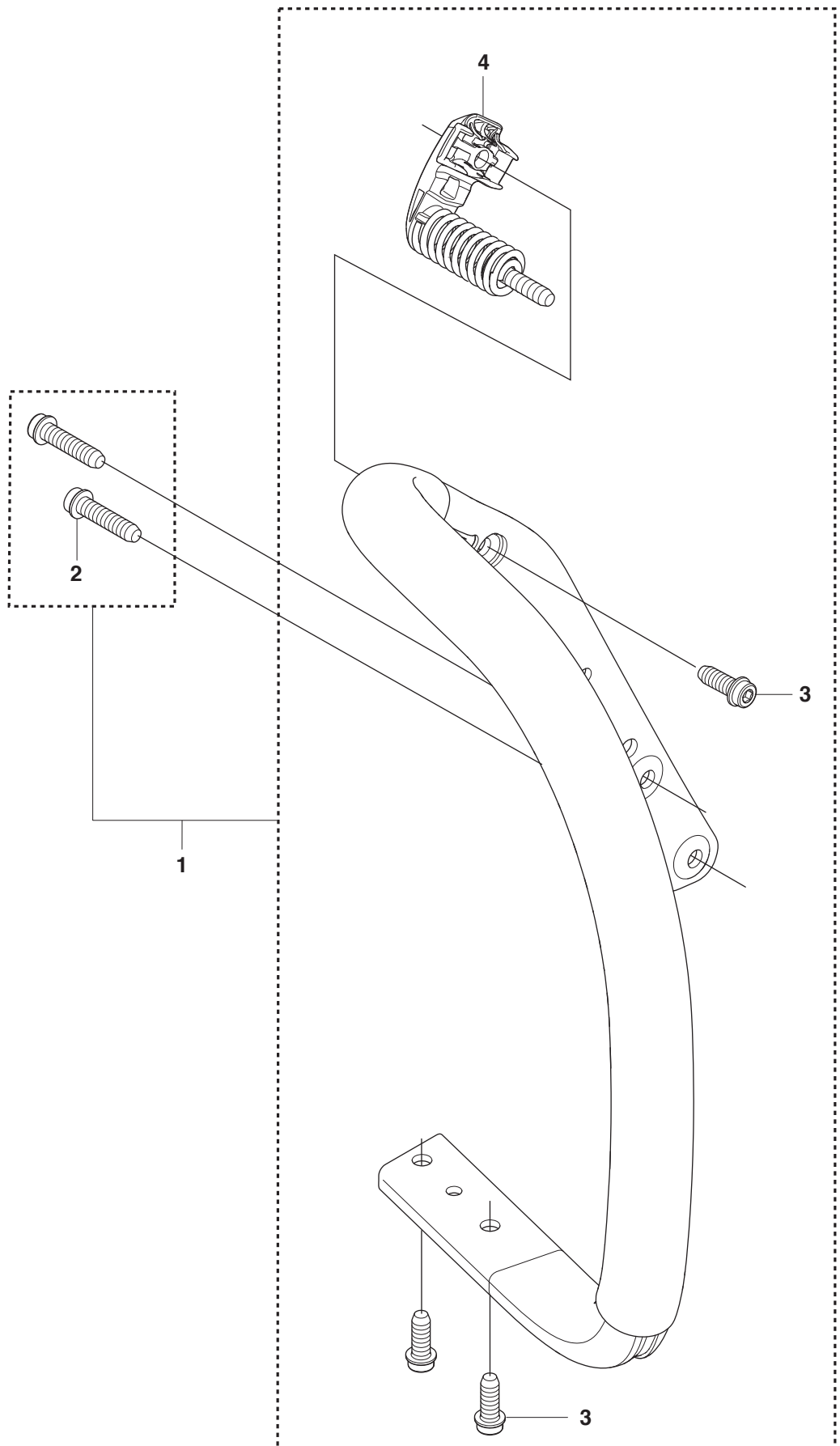
Position	Article	Quantity	Notes	Kit
1	525 40 32-01	1		
2	503 20 02-16	4		
3	503 86 93-01	2		
4	537 08 83-01	1		
5	577 83 47-01	1		
6	522 74 28-01	1		
7	725 53 29-55	2		
8	537 40 35-01	1		5
9	530 02 61-19	1		5
10	537 21 07-01	1		
11	503 43 65-01	1		
12	505 20 12-01	1		
13	503 75 18-01	1		5
14	501 27 08-01	2		5
15	505 21 73-01	2		5
16	505 11 15-01	2		5
17	725 53 33-55	5		
19	522 74 30-01	1		
20	537 37 79-01	1		
21	503 21 88-76	1		
22	505 12 58-01	1		
23	503 89 47-03	3		
24	525 41 74-01	1		
25	510 02 06-01	1		
26	505 41 52-01	1		
27	537 21 50-01	1		26
28	503 57 89-01	1		26
29	525 39 12-01	1		5
30	503 21 28-13	1		
31	577 76 66-02	1	A=set of gaskets	

J 550XP
FUEL TANK



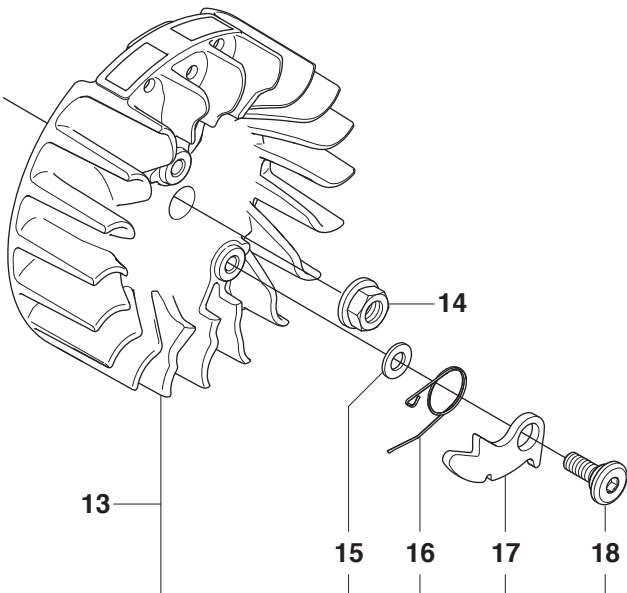
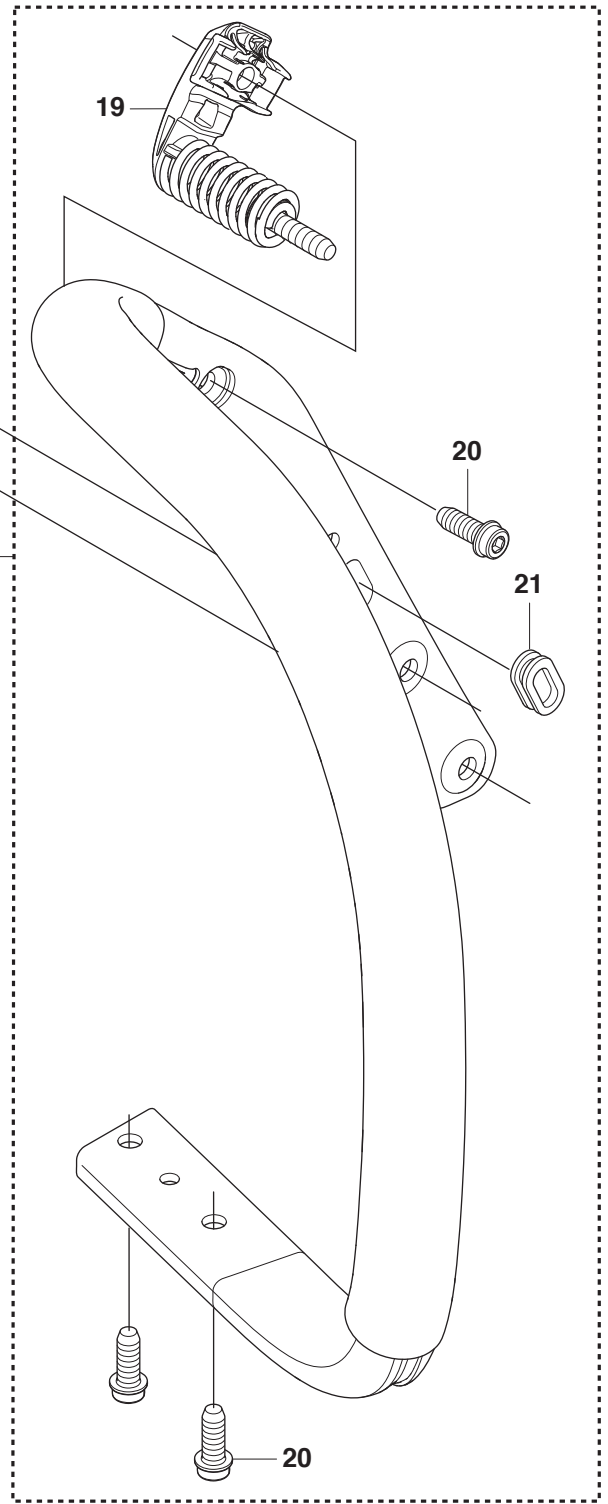
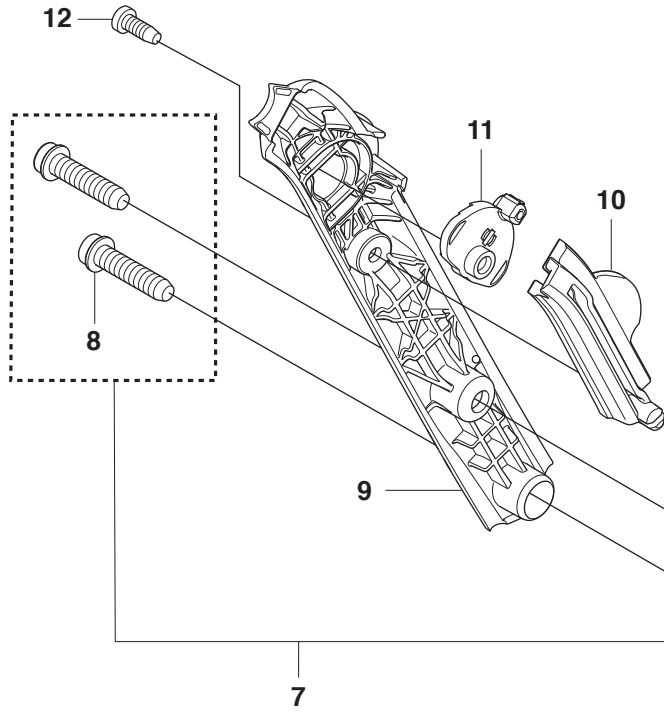
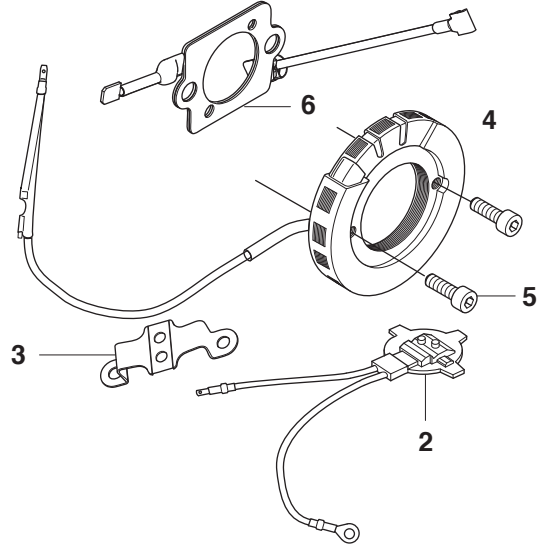
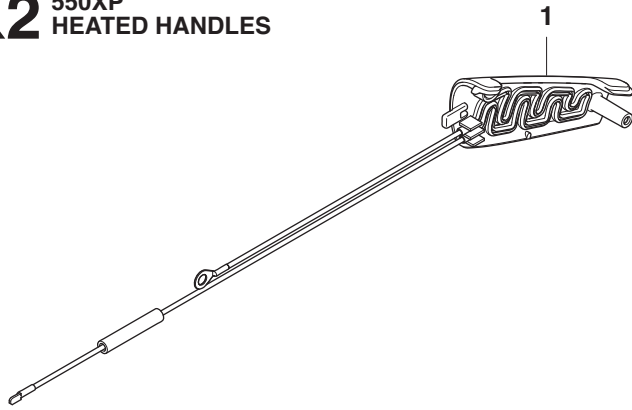
Position	Article	Quantity	Notes	Kit
1	503 21 28-13	1		4
2	504 10 63-01	1		4
4	577 79 02-01	1		
5	537 35 95-01	1		4
6	544 09 98-01	1		4
7	544 09 99-01	1		4
8	505 15 77-01	1		4
9	720 18 25-20	1		4
10	521 88 79-01	1		4
11	503 21 88-74	1		
12	573 99 35-01	1		
13	503 44 32-01	1		
15	505 12 90-01	1		
16	505 12 87-01	1		
17	523 08 55-01	1		
18	501 00 76-01	1		
19	544 11 12-01	1		
20	537 21 50-01	1		19
21	503 57 89-01	1		19
22	503 21 88-76	1		
23	577 84 43-01	1		4

K1 550XP
HANDLES



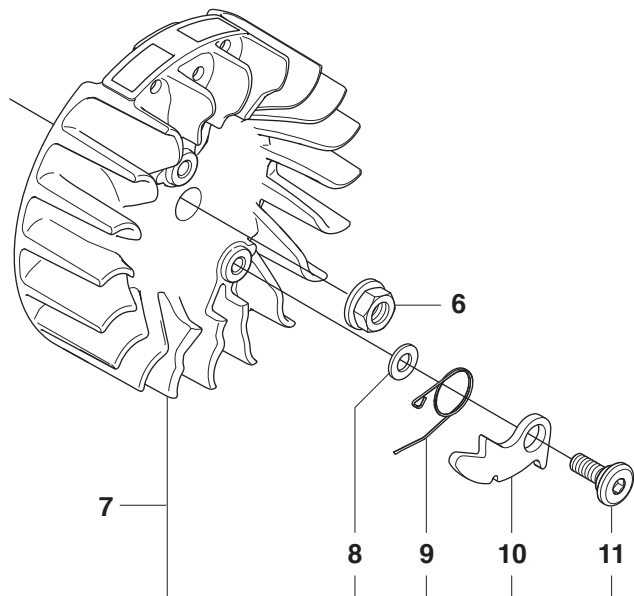
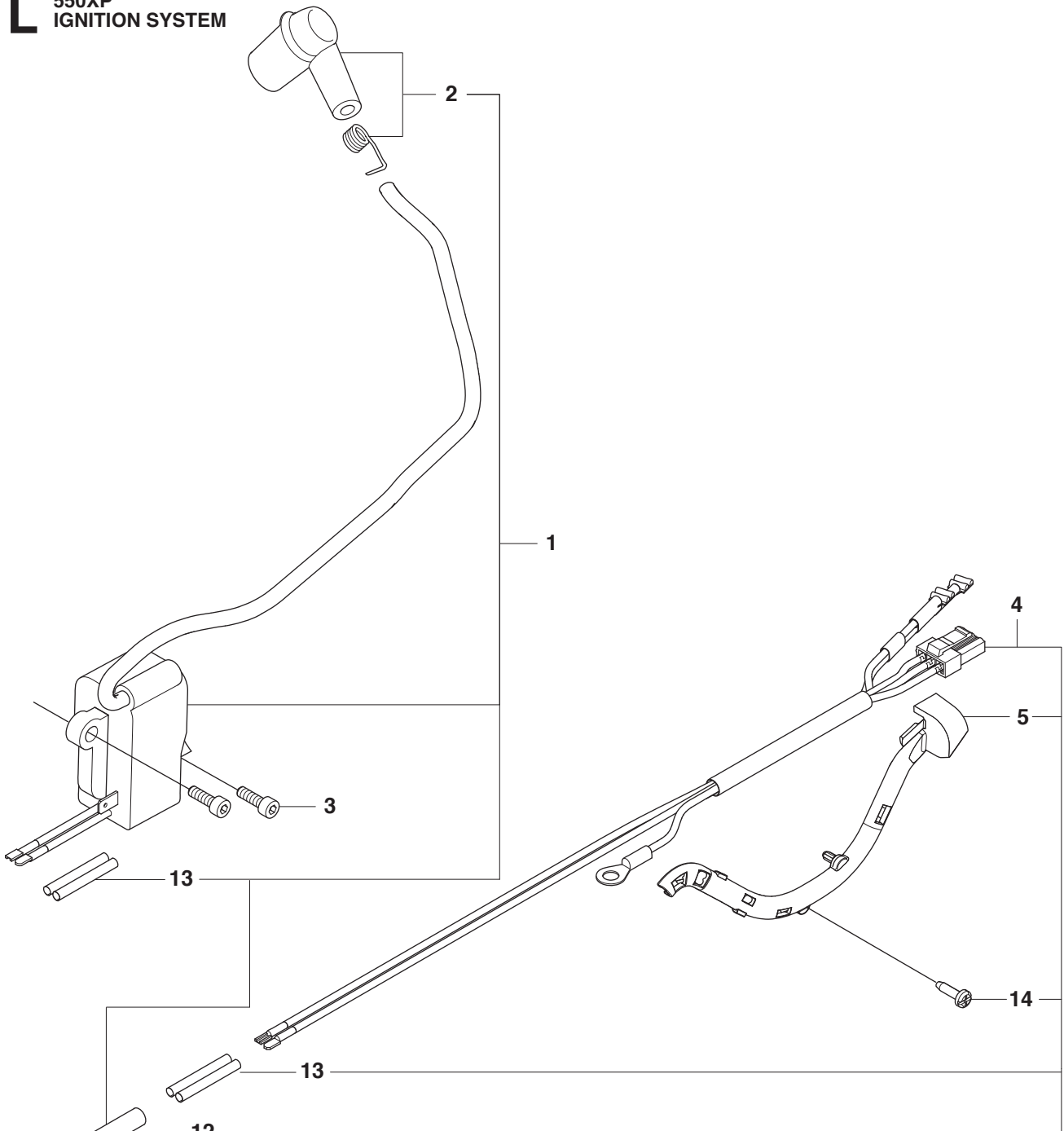
Position	Article	Quantity	Notes	Kit
1	577 79 82-01	1		
2	503 21 88-76	2		1
3	503 21 88-72	4		1
4	522 95 15-01	1		1

K2 550XP HEATED HANDLES



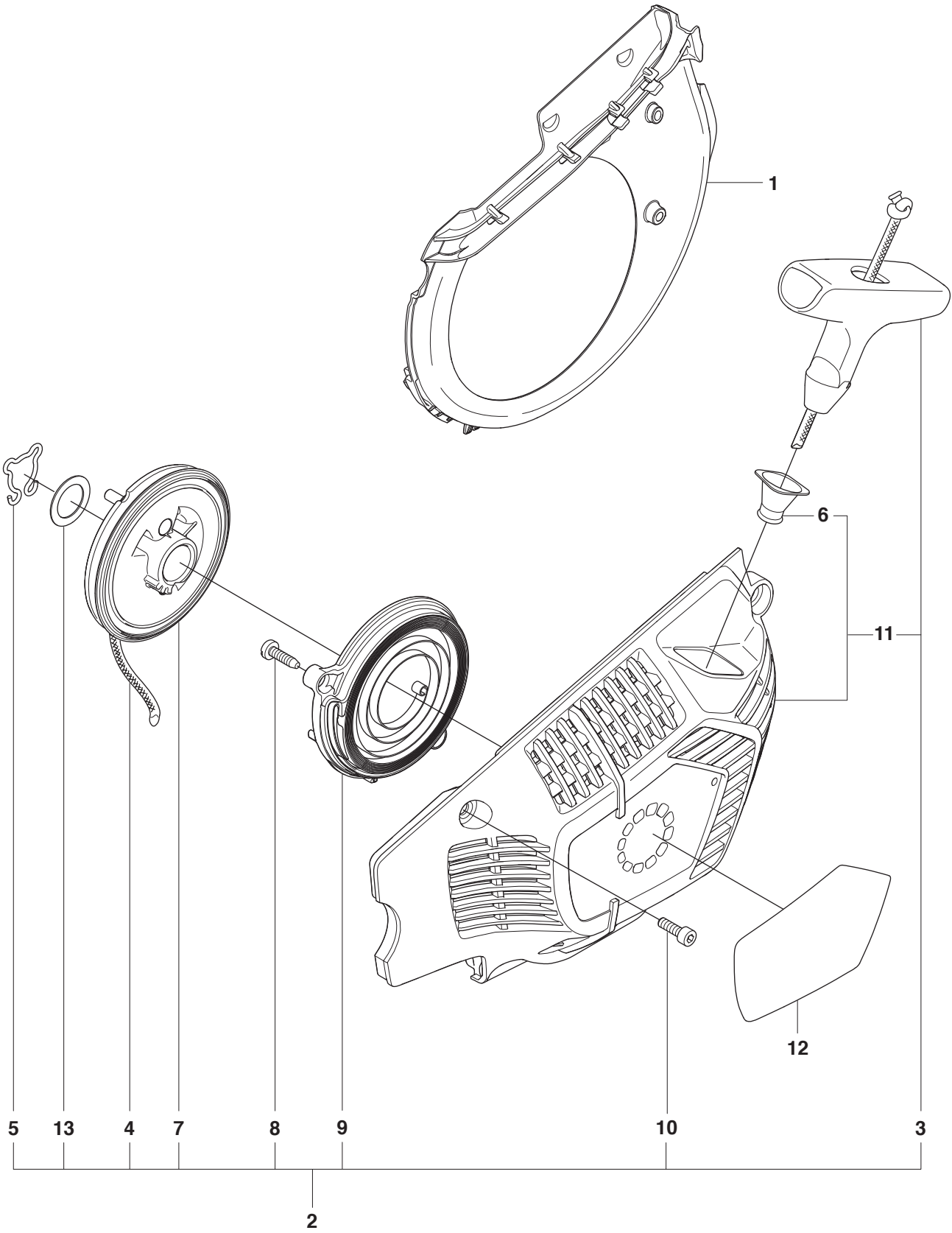
Position	Article	Quantity	Notes	Kit
1	522 74 19-01	1		
2	522 66 58-01	1		
3	537 21 08-01	1		
4	522 61 14-02	1		
5	544 44 43-01	2		
6	522 63 01-01	1		
7	577 79 82-02	1		
8	503 21 88-76	2		7
9	523 34 85-01	1		
10	523 34 84-01	1		
11	537 25 25-01	1		
12	503 21 28-13	1		
13	522 93 78-02	1		
14	503 22 04-01	1		
15	503 23 00-42	2		13
16	501 67 35-01	2		13
17	501 67 32-01	2		13
18	501 81 99-01	2		13
19	505 12 97-01	1		7
20	503 21 88-72	4		7
21	537 08 83-01	1		7

L 550XP
IGNITION SYSTEM

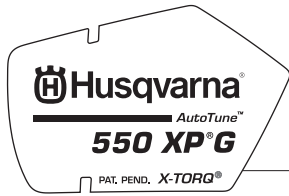


Position	Article	Quantity	Notes	Kit
1	577 79 07-01	1		
2	501 48 54-04	1		1
3	503 20 02-20	2		1
4	575 43 06-01	1		
5	529 29 26-01	1		4
6	503 22 04-01	1		
7	522 93 78-01	1		
8	503 23 00-42	2		7
9	501 67 35-01	2		7
10	501 67 32-01	2		7
11	501 81 99-01	2		7
12	504 04 35-05	1		1,4
13	503 23 85-01	2		4
14	503 21 28-13	1		4

M 550XP
STARTER

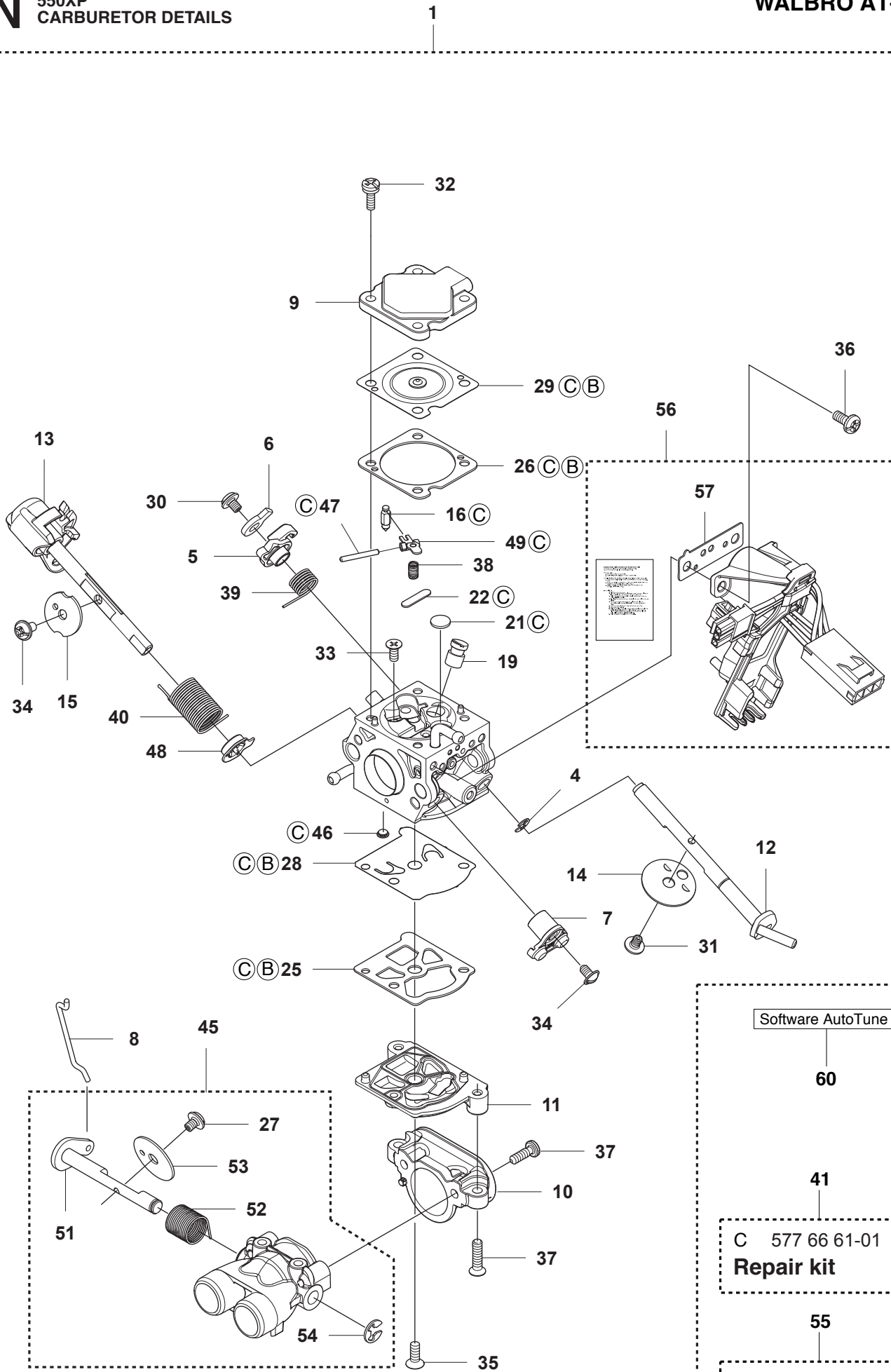


12



12

Position	Article	Quantity	Notes	Kit
1	522 79 62-01	1		
2	522 74 25-02	1		
3	537 23 25-01	1		2
4	505 30 51-25	1		2
5	575 85 76-01	1		2
6	537 28 32-01	1		2, 11
7	505 15 81-01	1		2
8	503 21 28-13	2		2
9	505 15 79-01	1		2
10	544 08 03-01	4		2
11	522 74 13-01	1		2
12	523 08 32-03	1	XP	
12	523 08 32-04	1	XPG	
13	505 15 85-01	1		2



Software AutoTune

60

41

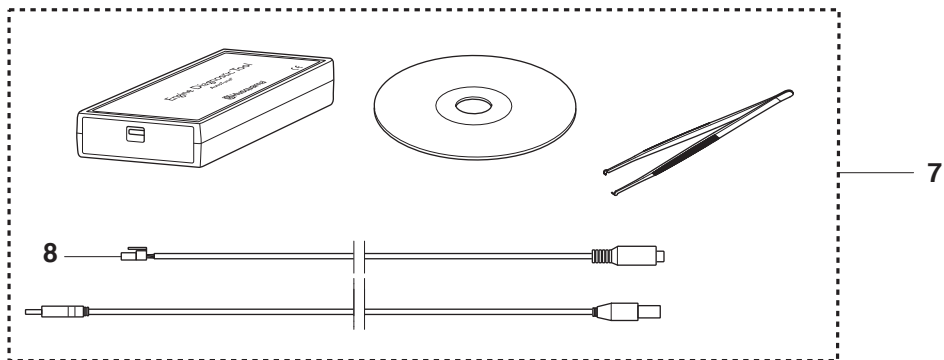
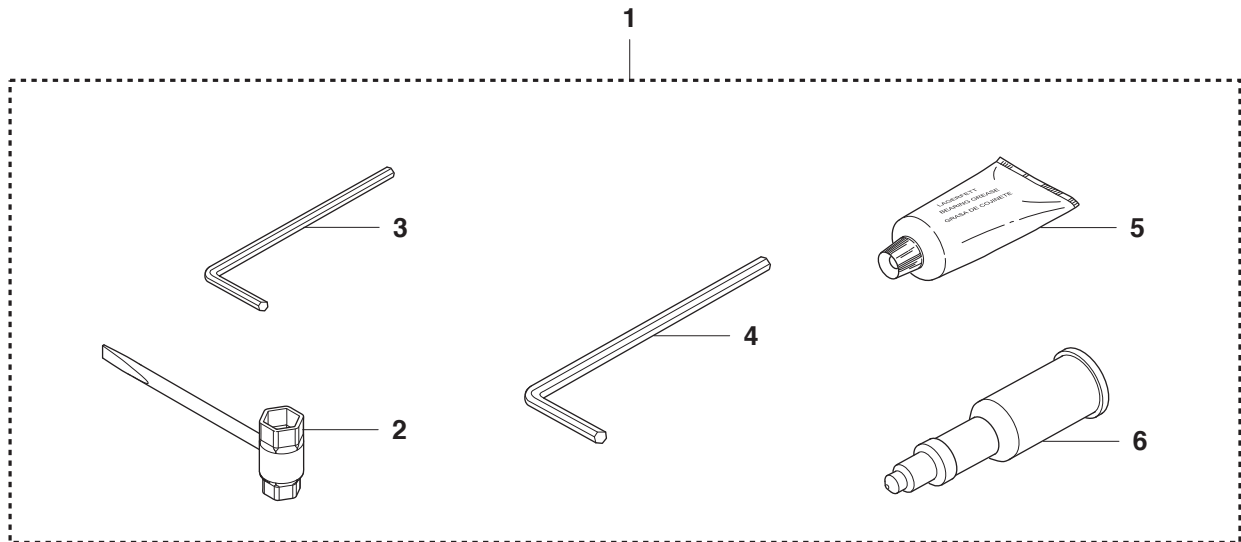
C 577 66 61-01
Repair kit

55

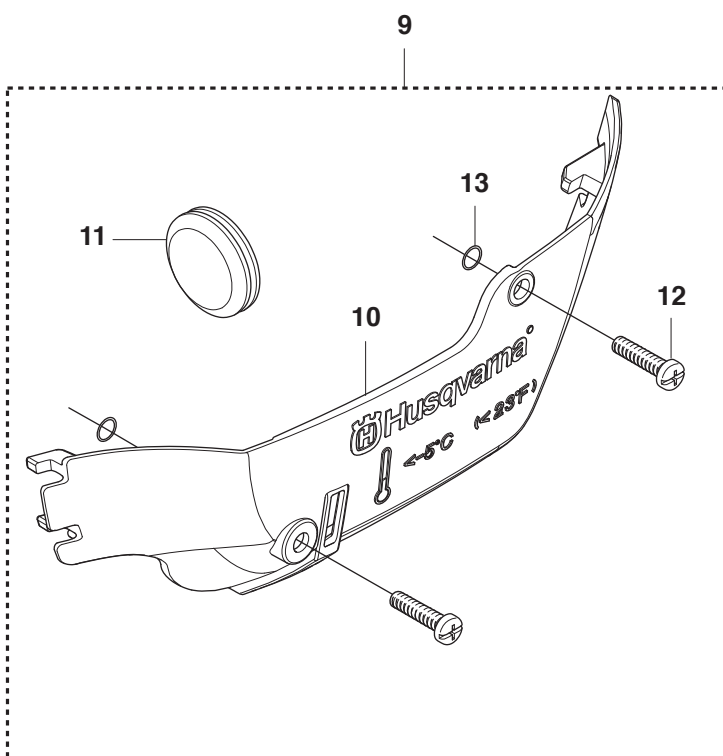
B 576 66 65-01
Set of gaskets

Position	Article	Quantity	Notes	Kit
1	579 20 03-01	1	AT-1	
4	577 26 29-01	1		1
5	574 35 77-01	1		1
6	576 61 85-01	1		1
7	577 21 92-01	1		1
8	574 35 79-01	1		1
9	574 35 81-01	1		1
10	575 79 48-01	1		1
11	575 79 47-01	1		1
12	574 35 84-01	1		1
13	574 35 82-01	1		1
14	574 35 85-01	1		1
15	574 35 75-01	1		1
16	503 56 34-01	1		1
19	576 61 88-01	1		1
21	504 79 08-01	1		1
22	502 84 69-01	1		1
25	504 13 09-06	1		1
26	574 35 86-01	1		1
27	574 35 87-01	1		1
28	577 01 66-01	1		1
29	574 35 88-01	1		1
30	501 46 87-01	1		1
31	537 00 34-01	1		1
32	537 00 31-01	4		1
33	502 84 71-01	1		1
34	544 11 15-01	2		1
35	574 35 90-01	1		1
36	574 35 91-01	3		1
37	576 61 89-01	4		1
38	503 56 24-01	5		1
39	574 35 93-01	1		1
40	574 35 94-01	1		1
41	577 66 61-01	1		
45	579 32 31-01	1		1
46	501 66 61-01	1		1
47	505 52 01-25	1		1
48	574 35 96-01	1		1
49	502 84 74-01	1		1
51	574 35 74-01	1		1
52	574 35 76-01	1		1
53	576 61 90-01	1		1
54	505 31 67-36	1		1
55	576 66 65-01	1		
56	577 79 70-01	1		1
57	510 41 33-01	1		1, 56
60			Download from your local supportsite	

P 550
ACCESSORIES



WINTER KIT 550XP



Page P 550 XP ACCESSORIES

Position	Article	Quantity	Notes	Kit
1	575 43 92-01	1		
2	522 52 11-01	1		1
3	503 55 86-01	1		1
4	503 55 86-02	1		1
5	503 62 12-01	1		1
6	501 91 14-01	1		1
7	576 69 23-01	1	Engine diagnostic tool	
8	576 18 34-01	1	Diagnostics cable	7
9	522 98 66-01	1		
10	525 55 80-01	1		9
11	578 12 55-01	1		9
12	503 21 70-16	2		9
13	740 42 01-00	2		9