

**HUSKY**  
**HUSQVARNA**



**Outdoor Power  
Products**

**1990**

 **Husqvarna**

# Built for the most demanding profes



Before a saw can be called a Husqvarna it has to earn the name. Our years of hard-won experience in logging have to be built into every component.

Safety, reliability and ergonomic design must be combined with power-packed performance in a compact machine that has been pared to its essentials, for a minimum working weight and maximum working efficiency. That's our starting point.

A gruelling program of testing in our labs follows. It's pure torture. But it doesn't stop there.

The next step is days, weeks and months of logging trials – as tough as only we can make them, in every type of forest, testing to tolerance levels the saw will probably never face as a production machine.

After that we hand it over to the pros like you, because you know how a saw should perform.

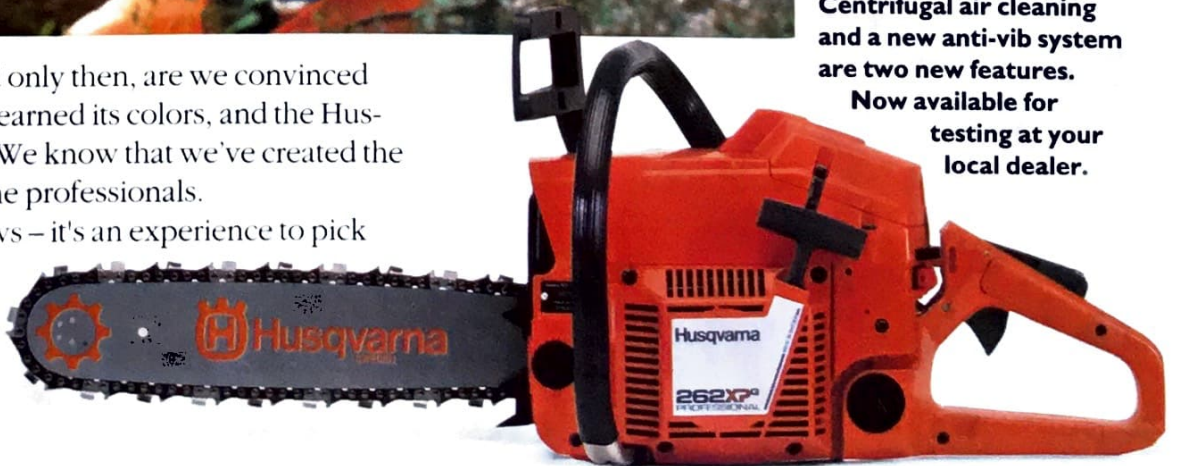
# sionals in the world!

Power for felling,  
flexibility for limbing...  
with a Husqvarna you'll  
find every job goes easier  
and faster.



The Husqvarna 262XP is  
our new Pro saw.  
Superior power-to-weight  
ratio in the increasingly  
important 60 cc class.  
Centrifugal air cleaning  
and a new anti-vib system  
are two new features.  
Now available for  
testing at your  
local dealer.

Then, and only then, are we convinced  
that a saw has earned its colors, and the Hus-  
qvarna name. We know that we've created the  
right tool for the professionals.  
Husqvarna saws – it's an experience to pick  
one up. It's a  
revelation to  
use one.



**You don't have to be a professional to**



# appreciate a Husqvarna.

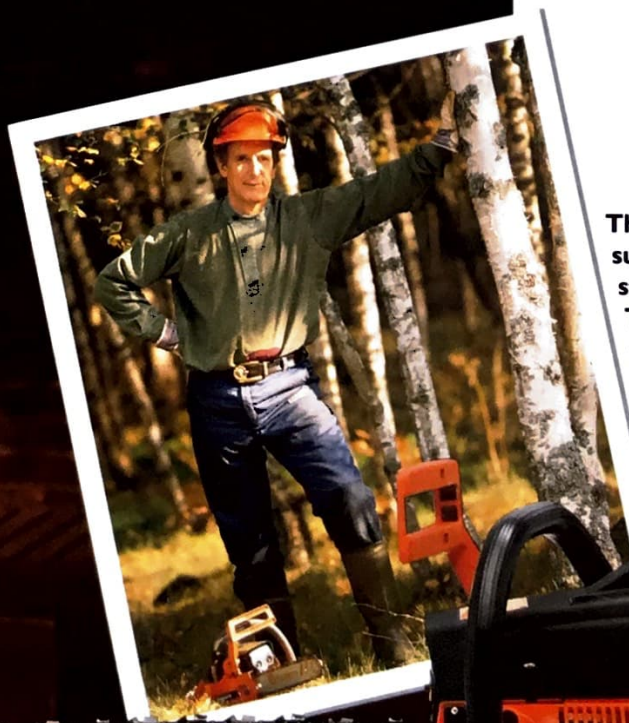
Why should home users have to accept lower standards of saw safety than the professionals? Why should your saw be less ergonomic, or less reliable or more difficult to start for that matter?

Shouldn't you get all the benefits of a saw that is an ideal combination of power and compact lightness?

Is avoiding tiring vibration any less important just because you don't work with your saw all day long?

Of course not. That's why there's an entire range of Husqvarna saws to choose from, including saws for people who keep a saw as just one tool among many. So you get a better saw, built to meet standards set by professional users.

Which is enough reason for non-professional loggers to choose a Husqvarna. And you don't need to be a professional to know that with the right tool the job gets done better and faster.



**The Husqvarna 50 Special, based on the successful Husqvarna 50 model, is an easy-to-start, robust saw that anyone can use.**

**The 51 cc engine has a special cylinder design for more torque at lower revs. The new chain brake with Husqvarna's famous inertia trigger is a standard safety feature. The 50 Special is the saw you can pick up to take on any sawing job.**



# Imagine!



Now's the time to fix that fence, or do some pruning, cut wood for the winter or get some well-deserved appreciation for your carpentry skills around the house.

You'll find a Husqvarna saw that's just right for these and the many other jobs you've been waiting for the right moment and the right tool to do.

Waiting for a saw that's easy to work with, easy to start, and just keeps on working. A saw that offers all the benefits of built-in Husqvarna safety.

What couldn't you do – with the right tool?

**Husqvarna**  
SWEDEN



With the right tool any job becomes a pleasure.



For pruning, cutting firewood or carpentry the Husqvarna 40 is hard to beat. A compact saw that's flexible, easy to start and with sparkling, powerful performance.



Try a Husqvarna 42 – the saw that you'll probably never wear out. An easy-to-handle standard saw with all the power and flexibility of a professional.



Even if you have never used a chain saw before, you'll be right at home with a Husqvarna. Ask your local dealer for a demonstration. He can show you how a saw is used safely and effectively. Or ask for the Husqvarna chain saw instruction manual for beginners and even those who have some experience.



# Improvements.

The new inertia chain brake makes Husqvarna saws even safer. For easier sawing the guard folds back against the front handle when felling.

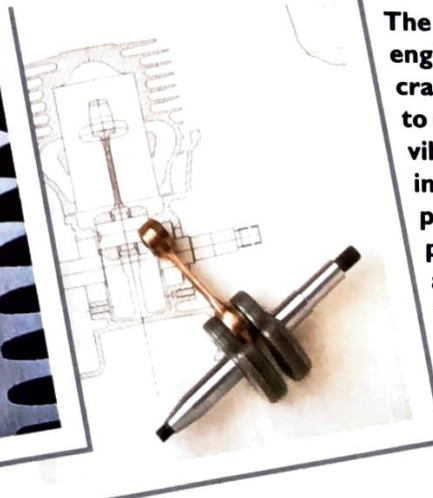
New quick-release latch simplifies air filter inspection

The Pro saw for the Nineties! Husqvarna's 262XP with centrifugal filtering of the intake air. You can run the saw longer and use it harder without having to change filters. The engine receives cleaner air, performs more efficiently and lasts longer.

New start grip.

The heart of all Husqvarna engines is the unique crankshaft design balanced to minimize engine vibration. High tolerances in manufacturing ensure precisely matched engine parts for lower friction and a longer working life. The ultra-short design makes Husqvarna chain saws extremely compact.

Husqvarna's ignition system with higher spark energy for a longer burn time makes the saws extremely easy to start.





It's been said that, above all else, a Husqvarna saw is supremely efficient, reliable and easy to handle. With that kind of reputation to live up to, there's only one way to go – constant development of every aspect of saw design.

And for us at Husqvarna the only way to continue with saw development is to build on experience gained from research, trials and by constantly keeping in touch with the people who use Husqvarna saws in as many types of working environments as possible.

Here are some new developments for 1990 – all created with one aim in mind. To make your work as easy as possible. Pick up the new Husqvarna 262XP – it weighs only 12.8 lbs yet produces 3.5 kW! That puts it in a class of its own for power/weight ratio.

**Lift the new Husqvarna 262XP – it weighs only 5.8 kg (12.8 lbs). But even so, it produces 3.5 kW of power! A truly amazing power to weight ratio for its class.**

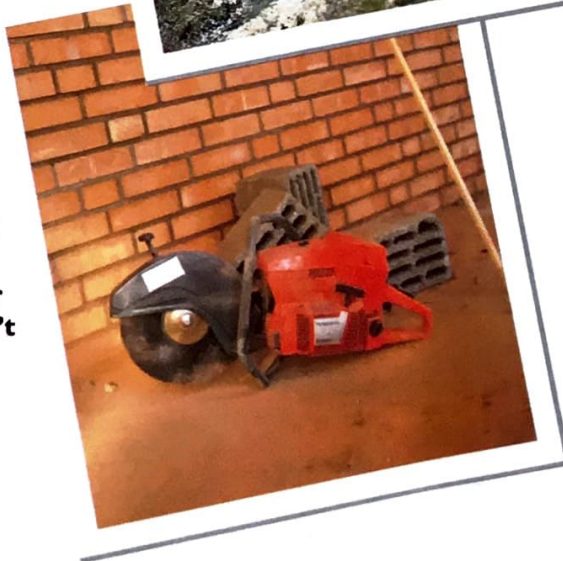


**The Husqvarna 3120XP. Powerful, dependable, easy to service and with good vibration dampening.**



**A fully automatic cord head is now available for your Husqvarna brush clearer.**

**The new Husqvarna 268K, a cut off saw with staying power that's versatile and saves unnecessary work. Unlike other cut off saw you don't need to change filters every few hours.**



**HUSKY**  
**HUSQVARNA**



**Outdoor Power  
Products**

**1990**

# Pros through and through.

The 1990 Husqvarna line up is our strongest ever. There are entirely new saws like the Husqvarna 262XP, the pro saw for the 1990's, and the new Husqvarna heavyweight champion, the 3120XP – with safe and ergonomic design solutions like an inertia-activated chain brake, new ignition system, more efficient anti-vibration and centrifugal cleaning of the intake air. Most of these Husqvarna pro saws are available with heated handles\*, which reduce the risk of damage to the circulation in freezing weather.

The Husqvarna name stands for safe, reliable and easy-to-use chain saws, thoroughbred professionals, through and through.

## Husqvarna 242/G

A small, compact and powerful saw in a small capacity format. Excellent for thinning. The engine has extremely rapid acceleration and will run at high loads for long periods. The new flywheel reduces vibration even further. The noise level is low, operating temperature lower and service life longer thanks to the fact that the 242's silencer is the same size as those fitted to much larger saws.

2.6 cu.in. (42 cc) 10.6 lbs. (4.8kg)

## Husqvarna 254/G

A professional all-round saw especially well suited to logging in medium size stands. The high effect cooling system ensures the engine stays at just the right temperature with no drop in power, whatever the climate. Also available with the Nordfeller felling cushion for simpler felling.

3.3 cu.in. (54 cc) 11.9 lbs. (5.4 kg)

## Husqvarna 262XP/G

The 60 cc saw for the 1990's! The best power/weight ratio of the entire 60 cc class. Centrifugal air cleaning keeps the filter clean for weeks at a time. The combination of steel springs and rubber dampers keeps vibration to a minimum. The 262XP is also extremely easy to service; it takes a mere 5 seconds to get to the air filter and spark plug.

3.8 cu.in. (62 cc) 12.8 lbs. (5.8 kg)

## Husqvarna 266XP/G

The Husqvarna 266XP is a runaway sales success with pro loggers. Reliability and premium power-to-weight ratio that have become a legend. Heavy duty protection for the engine at exposed points with easy access to main service points on the carburetor, piston and cylinder. Low noise and vibration levels make this a saw you can use for extended periods without tiring your arms or ears.

4.1 cu.in. (67 cc) 13.5 lbs. (6.1 kg)

\* G = generator



## Husqvarna 268XP/G

A popular choice for its power and reliability. High power output at low rpm makes this a saw that really pulls all the way. High capacity silencer for less noise and improved performance. Extra large air filter for cleaner intake air and less filter cleaning.

4.1 cu.in. (67 cc) 13.7 lbs. (6.2 kg)



## Husqvarna 281XP/G

A proven saw that is easy to handle but with the power to saw through even thick trunks with dependable ease. Special manifold on the air intake for low noise and cleaner intake air. An uncomplicated and durable pro saw.

5.0 cu.in. (81 cc) 16.3 lbs. (7.4 kg)



## Husqvarna 288XP

Top of the 80 cc class in the power stakes. Now with an optional wrap-around handle. Spring vibration reduction fitted in front of the crankcase means that even with the big engine fitted in the 288XP, vibration is kept to a minimum, even using the extra long bar.

5.4 cu.in. (88 cc) 16.3 lbs. (7.4 kg)



## Husqvarna 2101XP

Based on a tried and tested engine unit, the 2101XP is the saw to take on the really big trees. Reliable and easy to use too. Fitted with an efficient cooling system. A big saw with the flexibility of a much smaller machine, but the ability to take the strain.

6.0 cu.in. (99 cc) 20.3 lbs. (9.2 kg)

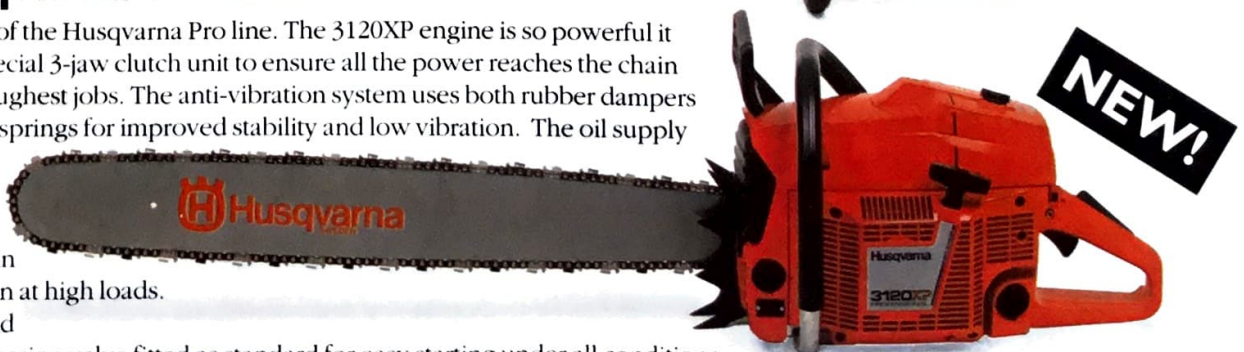


## Husqvarna 3120XP

Flagship of the Husqvarna Pro line. The 3120XP engine is so powerful it uses a special 3-jaw clutch unit to ensure all the power reaches the chain for the toughest jobs. The anti-vibration system uses both rubber dampers and steel springs for improved stability and low vibration. The oil supply is adjustable to provide extra chain lubrication at high loads.

Primer and decompression valve fitted as standard for easy starting under all conditions.

7.3 cu.in. (119 cc) 22.9 lbs. (10.4 kg)



# Built-in professional know-how.

Pick up one of our new Husqvarna line of standard saws and see for yourself how we've built in professional features down to the last detail. It's why our saws in this class set standards for others to follow.

Take the new Husqvarna 42. It's a direct spin-off based on one of our most successful pro models – the 242. Or try the Husqvarna 40, a firm favorite with home users – now with an even more efficient ignition system.

Just because you don't use your saw to earn a living doesn't mean you have to accept anything less than the best Husqvarna can offer. All these saws feature an inertia chain brake, designed to activate at whatever angle the saw is held.

## Husqvarna 35

Small, compact and easy to handle, it is ideal for tree pruning. Easy to start, power to spare, and features a chain brake as standard equipment.

2.1 cu.in. (34 cc) 9.0 lbs. (4.1 kg)



## Husqvarna 33

A compact, easy-to-start saw that's perfect for cutting wood and trimming trees. It's safer too, because we've made sure that the guide bar tip has a small radius. A stable saw for the home user.

2.1 cu.in. (34 cc) 10.6 lbs. (4.8 kg)



## Husqvarna 38

Just like the Husqvarna 33, only tougher. Greater displacement and more power make it strong enough to handle smaller felling jobs around the house.

2.3 cu.in. (38 cc) 10.6 lbs. (4.8 kg)



## Husqvarna 40

A saw that has become a clear favorite with home users for its ease of handling. Compact, versatile, easy to service and with the same high quality as our professional saws. First time starting is what you want and our ignition system makes sure you get it. A thoroughly reliable saw.

2.4 cu.in. (40 cc) 10.8 lbs. (4.9 kg)



## Husqvarna 45

For the demanding home user or for use on smaller farms. Flexible enough to cut fire wood, strong enough to fell trees. High power output even at low rpm. A reliable saw that's easy to both start and service. An easy handling saw.

2.7 cu.in. (44 cc) 10.8 lbs. (4.9 kg)



## Husqvarna 42

Tough and strong enough for felling and with the fast acceleration required for safer limbing. Our own research states that this is the strongest saw in its class. And its built to last, the 42 is based on the pro saw 242, so it will probably be the only chain saw you ever need to buy. The 42 has low vibration levels and is easy and flexible to work with – no extra pounds to carry around.

2.6 cu.in. (42 cc) 10.4 lbs. (4.7 kg)



## Husqvarna 50 Special

The saw that sets the standard for its class. The new design cylinder piston gives a high, flat power curve for greater efficiency over its entire range. The 50 really bites into wood, even at low rpm. Its weight and design means you can save your own strength and let the saw do the work.

3.1 cu.in. (51 cc) 11.5 lbs. (5.2 kg)



## Husqvarna 61

A rugged saw for frequent and heavy use. Equally good for limbing or felling. The low weight, balance and ergonomic body design makes the 61 a pleasure to work with. The high, flat power curve characteristics means you get all the power right from low rpm. The new ignition system gives reliable, fast starting.

3.8 cu.in. (62 cc) 13.5 lbs. (6.1 kg)



## Husqvarna 66

Based on a long time favorite of professionals – the 266XP. This is a power-packed saw with a good power-to-weight ratio. Its specially developed lightweight piston is new and gives the 66 improved acceleration and lower vibration. A powerful saw but with a compact design that makes it easy to work with.

4.1 cu.in. (67 cc) 13.5 lbs. (6.1 kg)



Model	Cylinder-displacement cu.in. (cc)	Engine power kW	No load RPM's	Fuel-tank pint (liter)	Oil-tank pint (liter)	Chain-pitch	Weight power head dry	
							lbs	kg
242XP	2.6 ( 42)	2.3	15,500	1.10 (0.52)	0.57 (0.27)	0.325"	10.6	4.8
254XP	3.3 ( 54)	2.9	13,800	1.27 (0.60)	0.63 (0.30)	0.325" / 3/8"	11.9	5.4
262XP	3.8 ( 62)	3.5	13,500	1.27 (0.60)	0.65 (0.32)	0.325" / 3/8"	12.8	5.8
266XP	4.1 ( 67)	3.3	12,500	1.59 (0.75)	0.95 (0.45)	3/8"	13.5	6.1
268XP	4.1 ( 67)	3.5	13,300	1.59 (0.75)	0.95 (0.45)	3/8"	13.7	6.2
281XP	5.0 ( 81)	4.2	12,500	1.90 (0.90)	1.06 (0.50)	3/8"	16.3	7.4
288XP	5.4 ( 88)	4.4	12,500	1.90 (0.90)	1.06 (0.50)	3/8"	16.3	7.4
2101XP	6.0 ( 99)	4.9	10,500	2.11 (1.00)	1.37 (0.65)	0.404"	20.3	9.2
3120XP	7.3 (119)	6.8	11,800	2.65 (1.25)	1.44 (0.68)	0.404"	22.9	10.4
35	2.1 ( 34)	1.3	10,500	0.60 (0.30)	0.20 (0.10)	3/8"	9.0	4.1
33	2.1 ( 34)	1.3	11,500	0.74 (0.35)	0.38 (0.18)	3/8"	10.6	4.8
38	2.3 ( 38)	1.5	11,500	0.74 (0.35)	0.38 (0.18)	0.325" / 3/8"	10.6	4.8
40	2.4 ( 40)	1.8	12,500	1.06 (0.50)	0.57 (0.27)	0.325"	10.8	4.9
42	2.6 ( 42)	2.1	14,500	1.10 (0.52)	0.57 (0.27)	0.325"	10.4	4.7
45	2.7 ( 44)	2.0	12,500	1.06 (0.50)	0.57 (0.27)	0.325"	10.8	4.9
50 Special	3.1 ( 51)	2.2	12,500	1.27 (0.60)	0.63 (0.30)	0.325" / 3/8"	11.5	5.2
61	3.8 ( 62)	2.9	12,500	1.59 (0.75)	0.95 (0.45)	3/8"	13.5	6.1
66	4.1 ( 67)	3.1	12,500	1.59 (0.75)	0.95 (0.45)	3/8"	13.5	6.1

Model	Cylinder-displacement cu.in. (cc)	Engine power kW	No load RPM's	Fuel-tank pint (liter)	Weight empty without standard blade and harness	
					lbs	kg
165RX	4.0 (65)	2.9	11,000	2.11 (1.00)	23.1	10.5
250RX	3.0 (49)	2.3	12,500	1.60 (0.75)	19.4	8.8
39R	2.4 (40)	1.8	12,300	1.70 (0.80)	17.7	8.1
32RLC	1.9 (32)		7,500	1.00 (0.50)	11.8	5.4
32R	1.9 (32)		7,500	1.00 (0.50)	16.7	7.6
26RLC	1.6 (26)		7,500	1.00 (0.50)	11.6	5.3
25R	1.5 (24)	0.7	10,000	1.30 (0.60)	13.3	6.1
25RL	1.5 (24)	0.7	10,000	1.30 (0.60)	12.6	5.7
22R	1.3 (21)	0.6	10,000	1.10 (0.60)	13.3	6.1
22RL	1.3 (21)	0.6	10,000	1.10 (0.60)	12.6	5.7
18RL	1.1 (18)	0.5	8,500	0.70 (0.35)	10.3	4.7

Model	Cylinder-displacement cu.in. (cc)	Max air volume CFM	Max air velocity MPH	Fuel-tank pint (liter)	Weight empty without accessories and harness	
					lbs	kg
22HB	1.3 (22)	320	135	0.84 (0.40)	11.0	4.9
28HBV	1.7 (28)	340	150	0.84 (0.40)	11.0	4.9
40B	2.5 (41)	550	235	4.0 (1.89)	18.9	8.6

Model	Cylinder-displacement cu.in. (cc)	Engine power kW	No load RPM's	Fuel-tank pint (liter)	Cutting disc diameter	Weight without cutting disc	
						lbs	kg
268K	4.1 (67)	3.2	10,000	1.59 (0.75)	12"/14"	20.5	9.3

Model	Width		Length		Weight lbs (kg)	Power kW	Load- capacity m <sup>3</sup> (cu.yd)	Ground pressure kg/cm <sup>2</sup> (lb/sq.in)
	cm	in	cm	in				
The Iron Horse	108	42.5	290	116	660 (300)	3.6	0.5 – 1.5 (0.7 – 2)	0.05 (2.06)



The Husqvarna saw range has been adapted to function with equal efficiency in all conditions and climates. For this reason, this brochure may contain equipment and products that are not standard in all countries. Should you have any questions please contact your local Husqvarna dealer.