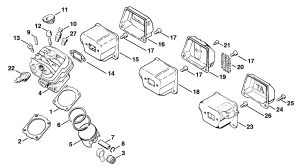
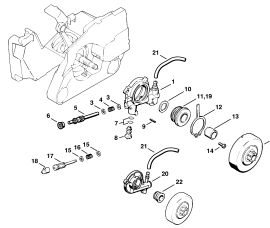


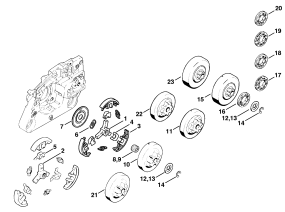
Crankcase



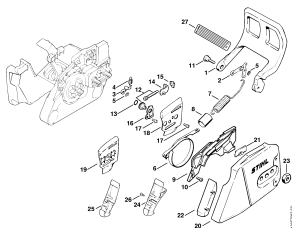
Cylinder, Muffler



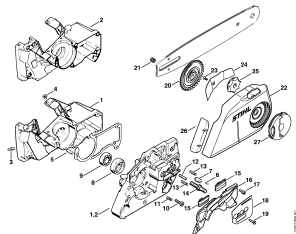
Oil pump



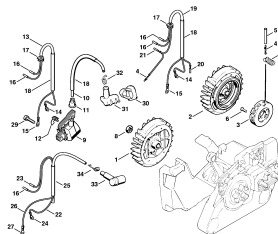
Clutch, Chain sprocket



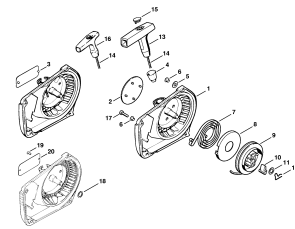
Chain brake



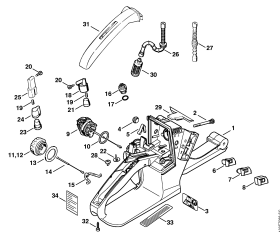
Quick chain tensioner



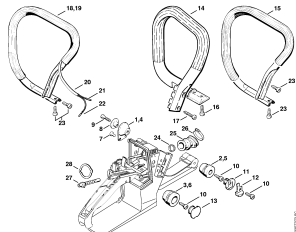
Ignition system



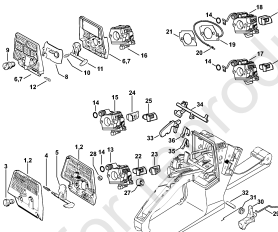
Rewind starter



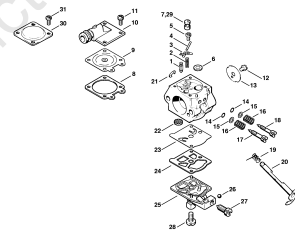
Tank housing



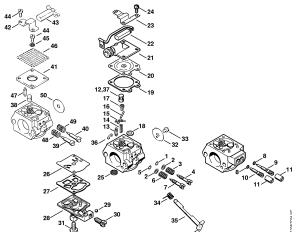
AV system



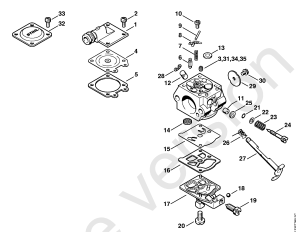
Air filter, Throttle control



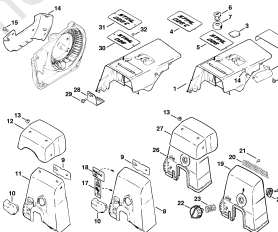
Carburetor WT-426



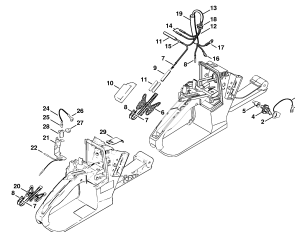
Carburetor WT-427,
WT-590, WT-195, WT-155



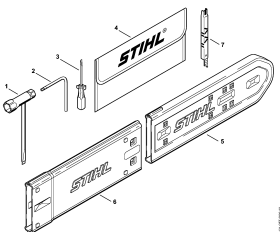
Carburetor WT-403,
WT-493



Shroud, Carburetor box
cover



Heating



Tools, Extras

Description

Crankcase

Cylinder, Muffler

Oil pump

Clutch, Chain sprocket

Chain brake

Quick chain tensioner

Ignition system

Rewind starter

Tank housing

AV system

Air filter, Throttle control

Carburetor WT-426

Carburetor WT-427, WT-590, WT-195, WT-155

Carburetor WT-403, WT-493

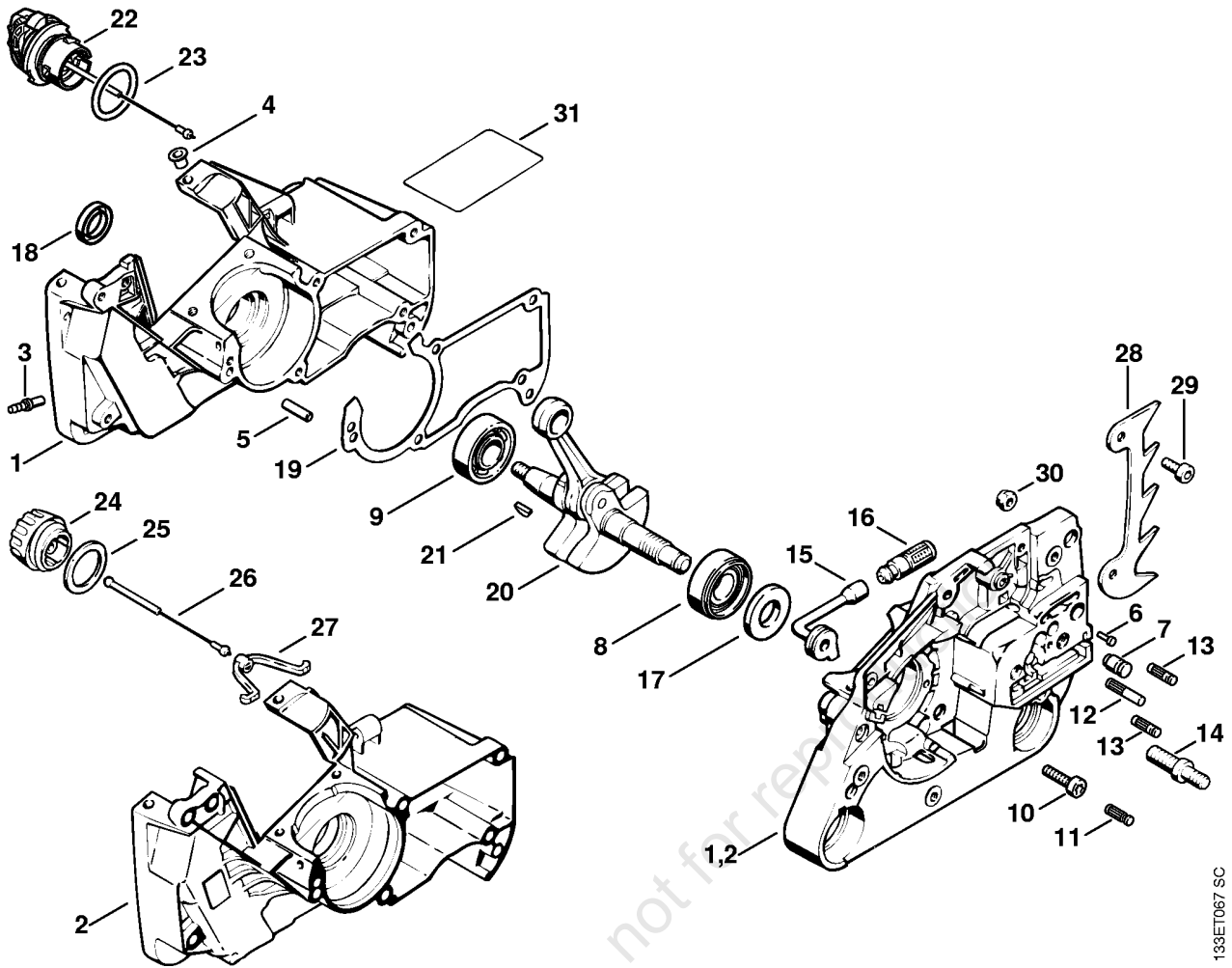
Shroud, Carburetor box cover

Heating

Tools, Extras

online version, not for reproduction

Crankcase



133ET067 SC

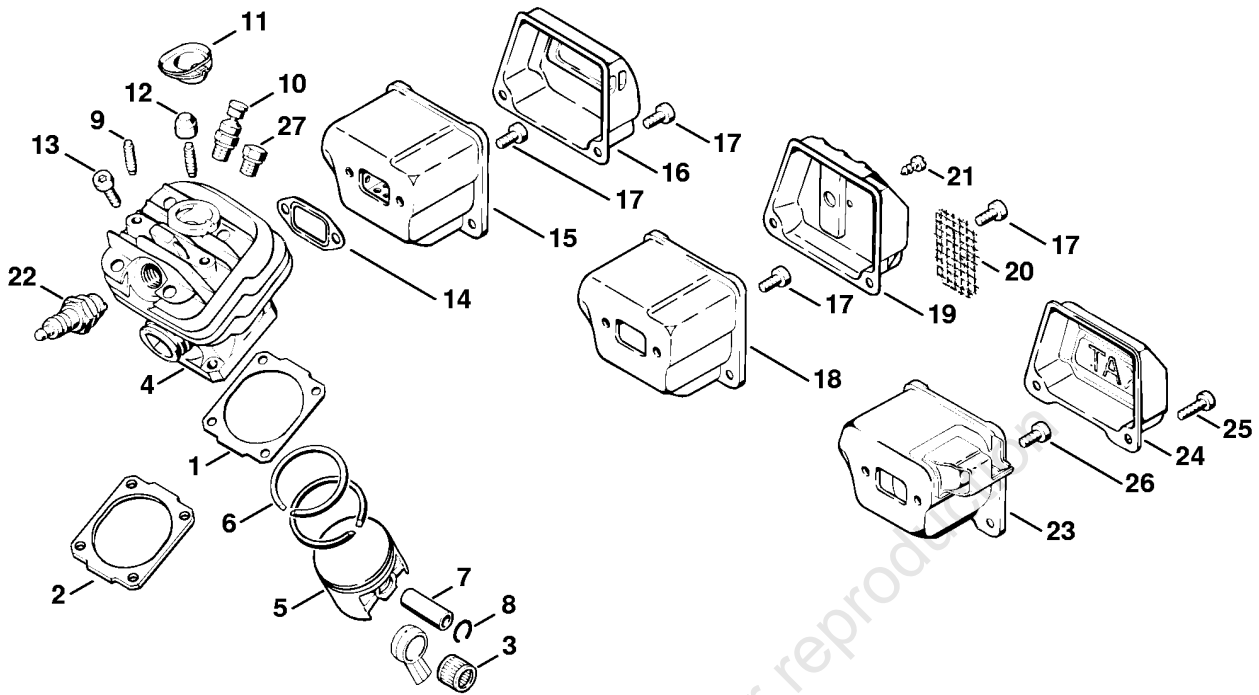
(1) 026, (2) 026 C, (3) 026 Pro, (4) 026 W, (5) 026 WVH

Crankcase

Reference	Item number	Qty	Description	Contains	Technical Information
1	1121 020 2117	1	Crankcase (1,3,4,5)	3 - 9, 11 - 13	
2	* 1121 020 2112	1	Crankcase (1,3,4,5)	3 - 9, 11 - 13	
3	0000 988 5211	1	Connector (1,3,4,5)		
4	9416 868 6531	2	Hollow rivet 6.5x0.5x6.8 (1,3,4,5)		
5	9371 470 2610	2	Cylindrical pin 5x18 (1,3,4,5)		
6	0000 974 1200	1	Notched pin 2.6x8 (1,3,4,5)		
7	1128 640 9100	1	Valve (1,3,4,5)		
8	9523 003 4260	1	Grooved ball bearing 15x35x13 (1,3,4,5)		
9	9503 003 0320	1	Grooved ball bearing 16002 (1,3,4,5)		
10	9022 371 1020	5	Spline screw IS-M5x20 (1,3,4,5)		
11	1120 162 5200	1	Pin (1,3,4,5)		
12	1121 162 5205	1	Pin (1,3,4,5)		
13	1121 162 5200	2	Pin (1,3,4,5)		
14	0000 953 6605	2	Collar screw M8 (1,3,4,5)		
15	1122 647 9400	1	Hose		
16	1117 640 3800	1	Pickup body		
17	9640 003 1600	1	Oil seal 15x29.6x4		
18	9640 003 1190	1	Oil seal 12x20x5		
19	1121 029 0500	1	Gasket		
20	1121 030 0405	1	Crankshaft	21	25.2005
21	1120 036 8500	1	Woodruff key 2x3.7		
22	0000 350 0537	1	Filler cap	23	
23	9645 948 2470	1	O-ring 23x3		
24	* 0000 350 0510	1	Filler cap	25 - 27	
25	* 0000 359 1210	1	Sealing ring		
26	* 0000 350 0900	1	Rope		
27	* 0000 353 0600	1	Hook		
28	1110 664 0501	1	Bumper spike		
29	9022 341 0960	2	Spline screw IS-M5x12		
30	9214 320 0700	1	Lock nut M5		
31	1124 084 8301	1	Reflector foil Cat.		
	1121 007 1050	1	Set of gaskets	17 - 19	

(1) 026, (2) 026 C, (3) 026 Pro, (4) 026 W, (5) 026 WVH

Cylinder, Muffler



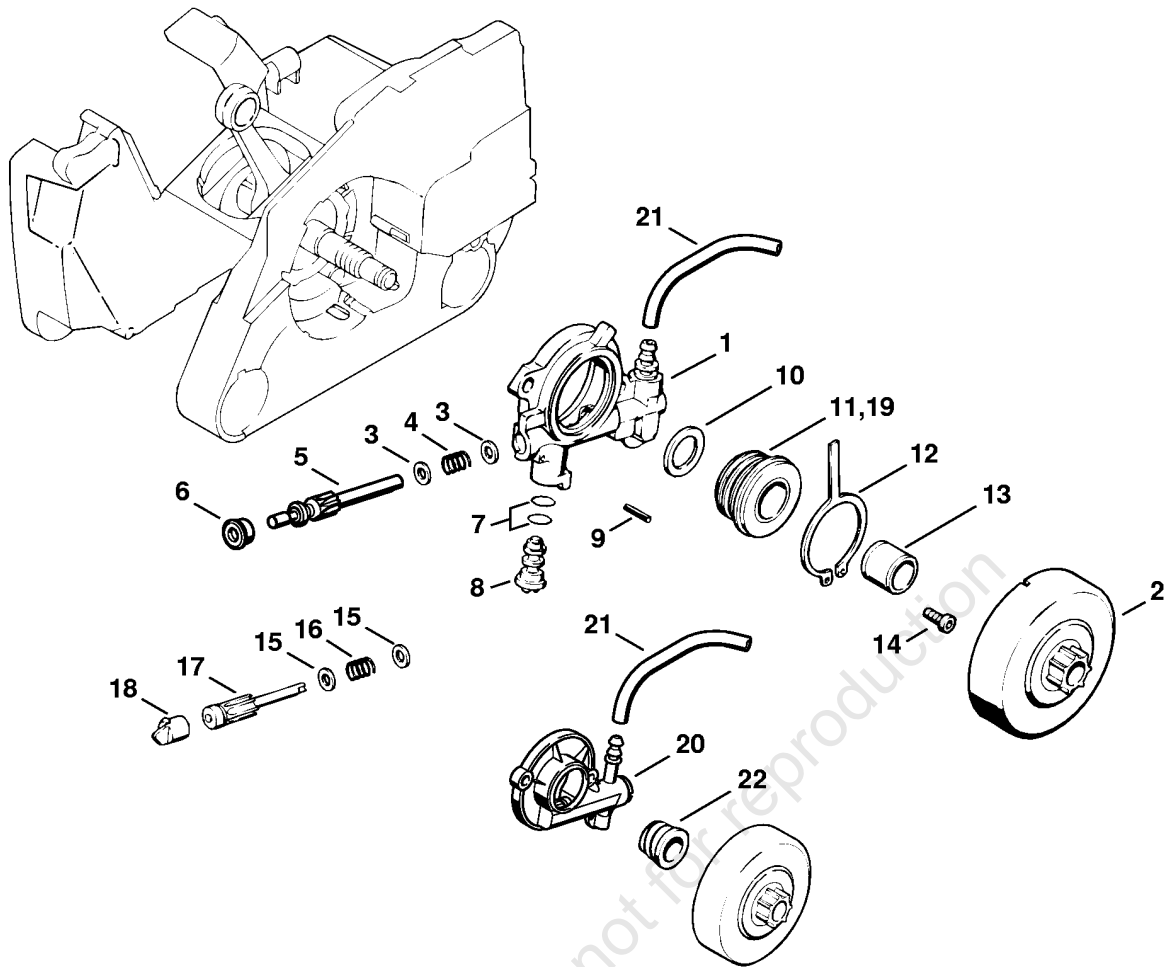
online version, not for reproduction

133ET084-SC

Cylinder, Muffler

Reference	Item number	Qty	Description	Contains	Up to
1	1118 029 2306	1	Cylinder gasket 0.5 mm		
2	1121 029 2305	1	Cylinder gasket 1 mm low compression		
3	9512 003 2250	1	Needle cage 10x13x12.5		
4	1121 020 1203	1	Cylinder with piston Ø 44 mm	5 - 8, 26	
5	1121 030 2001	1	Piston Ø 44 mm	6, 7	
6	1121 034 3010	2	Piston ring Ø 44x1.2 mm		
7	1121 034 1505	1	Piston pin 10x6x30		
8	9463 650 1000	2	Snap ring 10		
9	0000 953 0818	2	Stud M5		
10	1128 020 9400	1	Decompression valve		
11	1122 084 1405	1	Cover		
12	1121 084 7100	1	Cap		
13	9022 371 1020	4	Spline screw IS-M5x20		
14	1118 149 0600	1	Muffler gasket		
15	1121 140 0604	1	Muffler (1,2,4,5)	16	
16	1121 145 0802	1	Exhaust casing (1,2,4,5)		
17	9022 341 0960	4	Spline screw IS-M5x12		
18	1121 140 0606	1	Muffler USA, CDN (3)	19 - 21	
19	1121 140 0802	1	Exhaust casing USA, CDN (3)	20, 21	
20	1118 141 9005	1	Screen USA, CDN (3)		
21	9099 021 0810	1	Self-tapping screw 4.2x9.5 USA, CDN (3)		
22	1110 400 7005	1	Spark plug Bosch WSR 6 F		
22	0000 400 7000	1	Spark plug NGK BPMR7A		
23	1121 140 0605	1	Muffler Cat.	24	
24	1121 145 0805	1	Exhaust casing Cat.		
25	9022 341 0980	2	Spline screw IS-M5x16 Cat.		
26	9022 341 0960	2	Spline screw IS-M5x12 Cat.		
27	* 1122 025 2200	1	Plug		32252038
	1121 007 1050	1	Set of gaskets	1, 14	

Oil pump

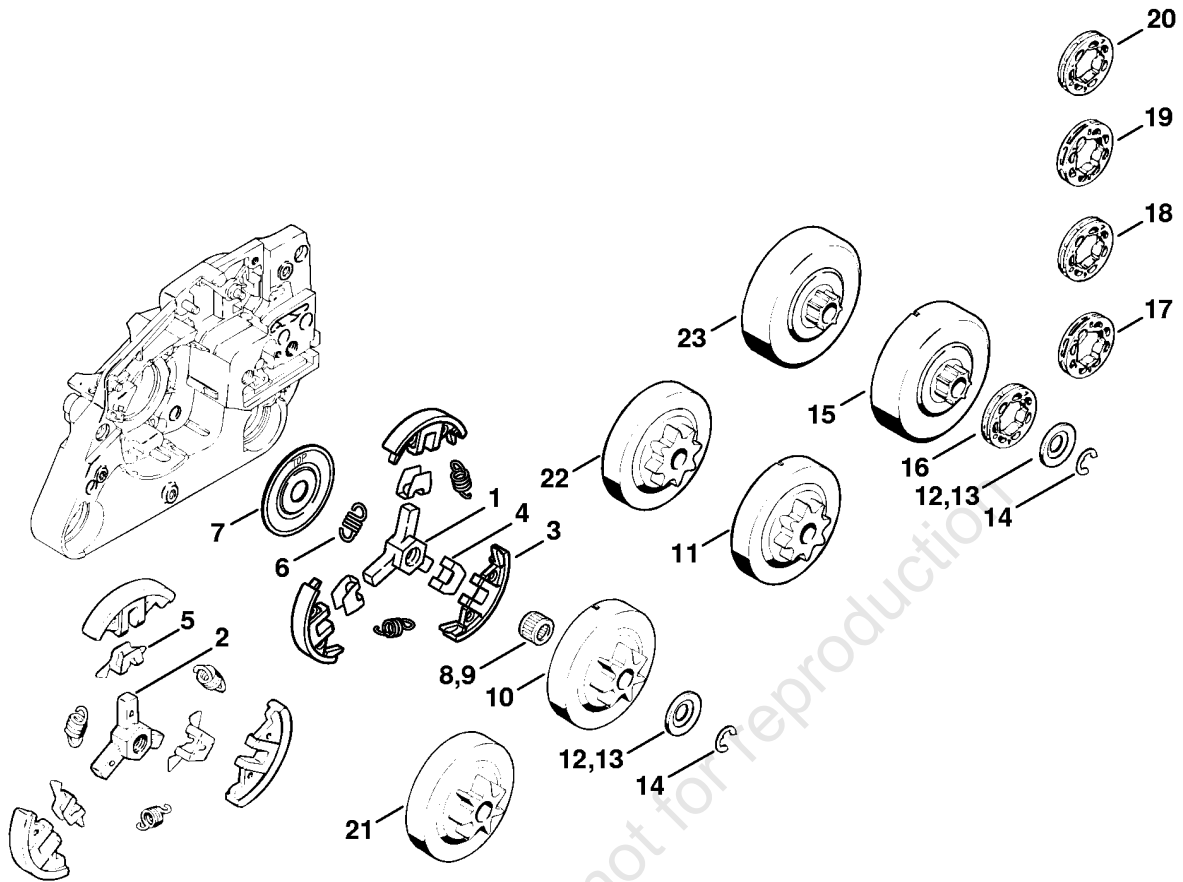


172ET036 SC

(1) 026, (2) 026 C, (3) 026 Pro, (4) 026 W, (5) 026 WVH

Oil pump

Reference	Item number	Qty	Description	Contains
	1121 007 1043	1	Conversion kit oil pump, adjustable (B)	1 - 13
1	1121 640 3203	1	Oil pump adjustable	3 - 9
2		1	Clutch drum (D)	
3	0000 958 0408	2	Washer	
4	0000 997 2002	1	Compression spring	
5	1121 647 0603	1	Pump piston	
6	1121 641 9400	1	Bearing bushing	
7	9646 945 0160	2	O-ring 4x2	
8	1128 647 4806	1	Control bolt	
9	9380 620 1090	1	Roll pin 2x10	
10	0000 958 1234	1	Washer	
11	1121 640 7111	1	Worm	12
12	1121 647 3100	1	Carrier	
13	0000 993 0508	1	Ring 12x15x12	
14	9022 313 0660	2	Spline screw IS-M4x12	
15	* 0000 958 0407	2	Washer	
16	* 0000 997 0504	1	Compression spring	
17	* 1121 647 0601	1	Pump piston	
18	* 1121 647 7002	1	Plug	
19	* 1121 640 7110	1	Worm	12
20	1121 640 3202	1	Oil pump 65 (0.65 mm stroke)	
21	1121 640 9400	1	Hose 75 mm / 3"	
22	1121 036 1600	1	Worm	



133ET092 SC

Clutch, Chain sprocket

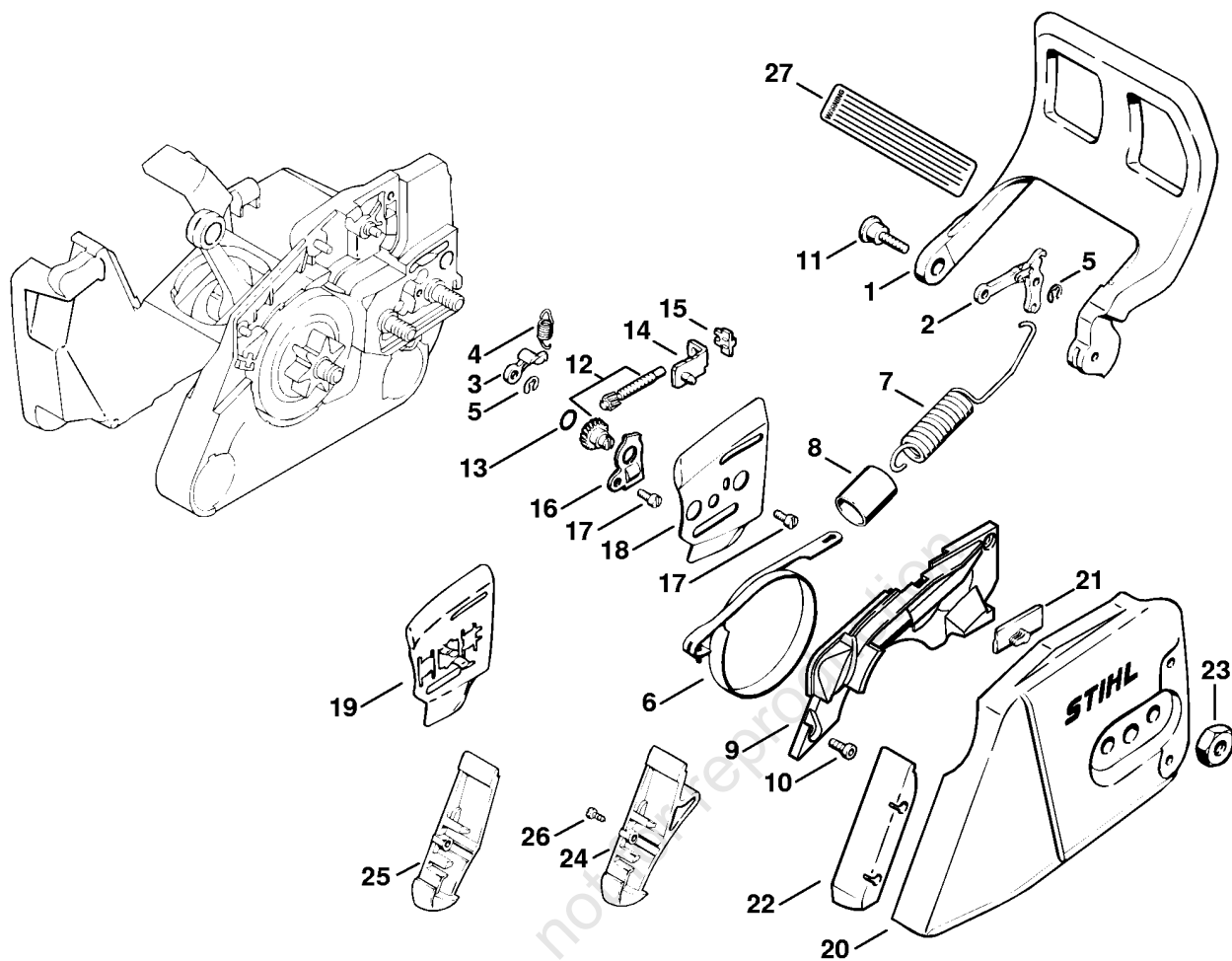
Reference	Item number	Qty	Description	Contains	Up to	Technical Information
	1121 160 2051	1	Clutch	1, 3, 4, 6, 7		
1	1121 162 3201	1	Carrier			
2	* 1121 162 3205	1	Carrier			
3	1121 162 0802	3	Clutch shoe			
4	1127 162 3000	3	Retainer			
5	* 1121 162 3000	3	Retainer			
6	0000 997 5600	3	Tension spring			64.2005
7	1121 162 1001	1	Cover washer			
8	9512 003 2260	1	Needle cage 10x13x10 CDN			
9	9512 933 2260	1	Needle cage 10x13x10			
10	1121 640 2004	1	Chain sprocket 0.325" 7T			
11	1121 640 2005	1	Chain sprocket 0.325" 8T (B)			
12	0000 958 1032	1	Washer Ø 27 mm CDN			
13	0000 958 1022	1	Washer Ø 27 mm			
14	9460 624 0801	1	E-clip 8x1.3			
	1121 007 1037	1	Rim sprocket kit 0.325" 7T (B)	13 - 16		
15		1	Clutch drum (D)			
16	0000 642 1236	1	Rim sprocket 0.325" 7T			
	1121 007 1038	1	Rim sprocket kit 0.325" 8T (B)	13 - 15, 17		
17	0000 642 1234	1	Rim sprocket 0.325" 8T			
	1121 007 1039	1	Rim sprocket kit 3/8" Picco 7T (B)	13 - 15, 18		
18	0000 642 1240	1	Rim sprocket 3/8" Picco 7T (B)			
	1121 007 1040	1	Rim sprocket kit 3/8" Picco 8T (C)	13 - 15, 19		
19	0000 642 1241	1	Rim sprocket 3/8" Picco 8T (C)			
	1121 007 1041	1	Rim sprocket kit 3/8" 7T (B)	13 - 15, 20		
20	0000 642 1231	1	Rim sprocket 3/8" 7T (B)			
21	1121 640 2000	1	Chain sprocket 0.325" 7T			
22	1121 640 2001	1	Chain sprocket 0.325" 8T			

(1) 026, (2) 026 C, (3) 026 Pro, (4) 026 W, (5) 026 WVH

Clutch, Chain sprocket

Reference	Item number	Qty	Description	Contains	Up to	Technical Information
23		1	Clutch drum (D)			
	1121 007 1001	1	Rim sprocket kit 0.325" 7T (B)	13, 14, 16, 23		
	1121 007 1002	1	Rim sprocket kit 0.325" 8T (B)	13, 14, 17, 23		
	1121 007 1035	1	Rim sprocket kit 3/8" 7T (B)	13, 14, 20, 23		
*	1121 007 1004	1	Rim sprocket kit 3/8" Picco 7T	13, 14, 18, 23	25809073	
*	1121 007 1005	1	Rim sprocket kit 3/8" Picco 8T (C)	13, 14, 19, 23	25809073	

online version, not for reproduction

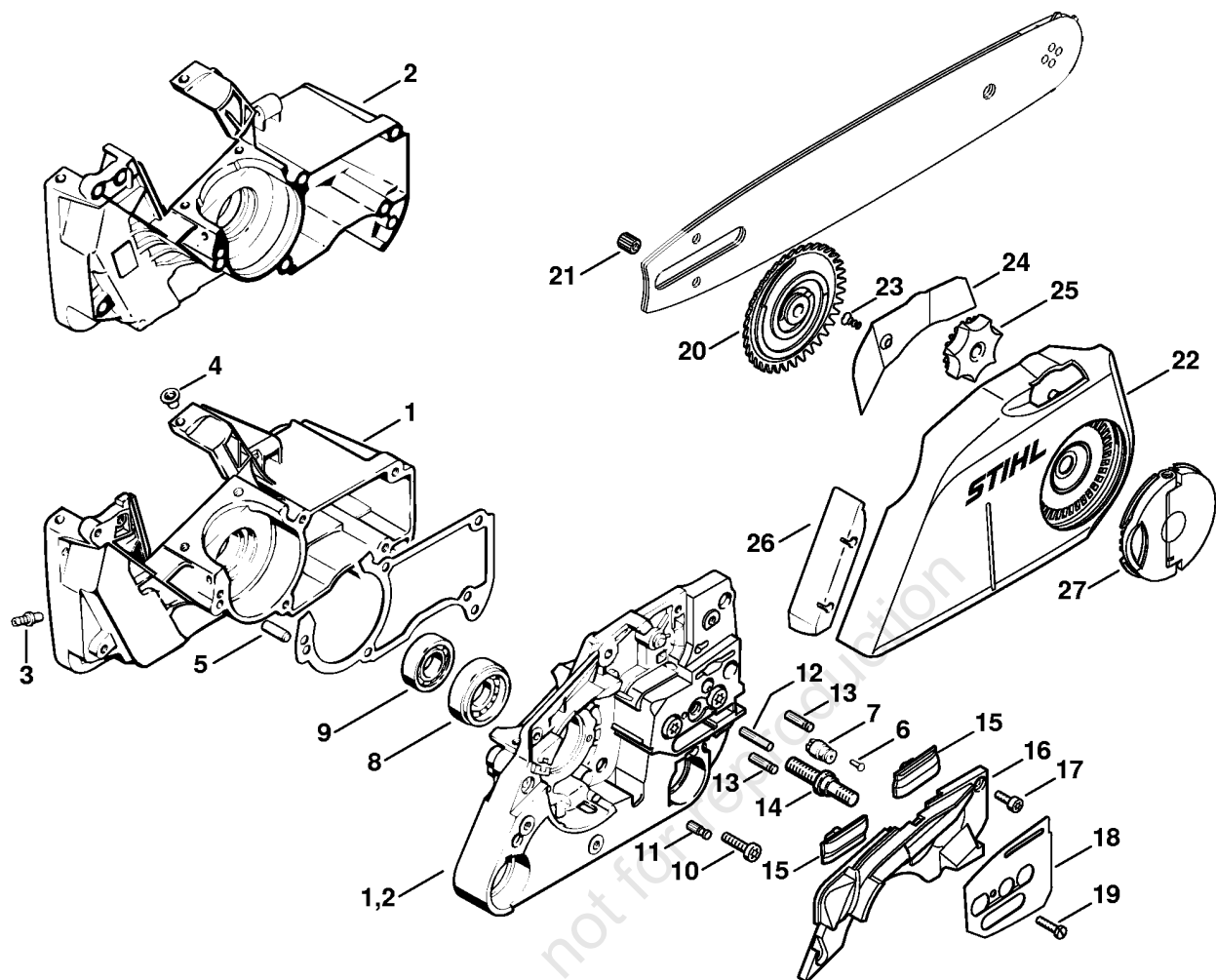


133ET087 SC

(1) 026, (2) 026 C, (3) 026 Pro, (4) 026 W, (5) 026 WVH

Chain brake

Reference	Item number	Qty	Description	Contains	Up to
1	1121 792 9101	1	Hand guard		
2	1121 160 5000	1	Lever		
3	1121 162 5010	1	Lever		
4	0000 997 0628	1	Spring		
5	9460 624 0400	2	E-clip 4		
6	1121 160 5400	1	Brake band		
7	1121 160 5501	1	Tension spring	8	
8	1121 162 8000	1	Hose 12x1x20 mm		
9	1121 021 1102	1	Cover		
10	9022 313 0660	2	Spline screw IS-M4x12		
11	0000 790 6100	1	Screw assy. M4		
12	1125 007 1021	1	Spur gear / chain adjusting screw kit (1,3,4,5)	13	
13	9646 945 0490	1	O-ring 7x1.5 (1,3,4,5)		
14	1125 640 1900	1	Tensioner slide (1,3,4,5)		
15	1125 664 1400	1	Thrust pad (1,3,4,5)		
16	1122 664 2200	1	Cover plate (1,3,4,5)		
17	9041 216 0630	2	Pan head screw M4x8 (1,3,4,5)		
18	1122 664 1000	1	Inner side plate 0.5 mm (1,3,4,5)		
19	1122 664 1001	1	Inner side plate (B) (1,3,4,5)		
20	1125 640 1701	1	Chain sprocket cover (1,3,4,5)	21, 22	
21	1121 648 6610	2	Bumper strip (1,3,4,5)		
22	1125 656 1501	1	Guard (1,3,4,5)		
23	0000 955 0801	2	Hexagon nut M8 (1,3,4,5)		
24	* 1125 656 1500	1	Guard (1,3,4,5)		19384234
25	* 1125 656 1505	1	Guard (1,3,4,5)		19384234
26	* 9099 021 1760	1	Self-tapping screw 2.9x9.5 (1,3,4,5)		19384234
27	0000 967 3630	1	Instruction label USA (1,3)		

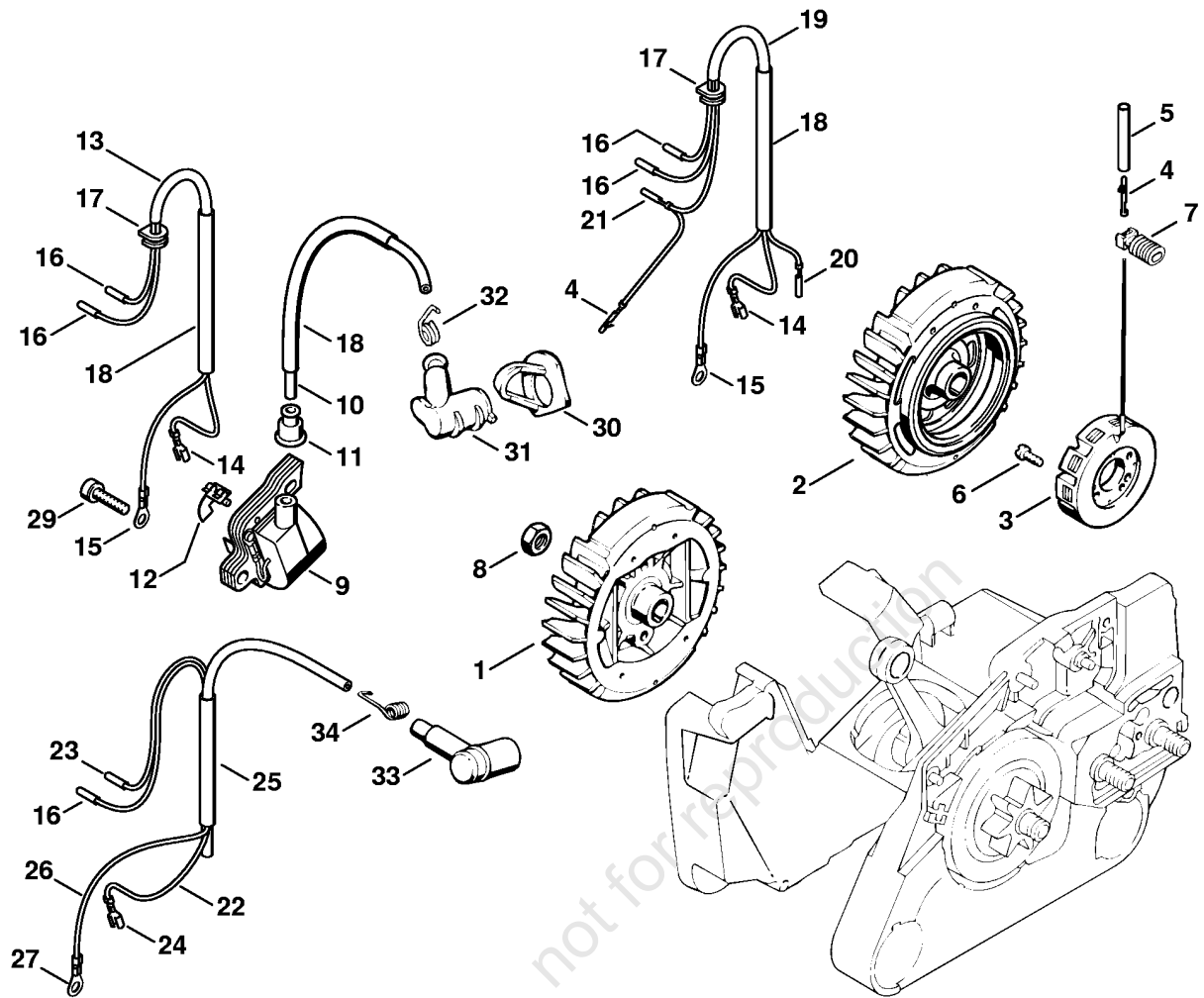


133ET088 SC

(1) 026, (2) 026 C, (3) 026 Pro, (4) 026 W, (5) 026 WVH

Quick chain tensioner

Reference	Item number	Qty	Description	Contains
1	1121 020 2115	1	Crankcase (2)	3 - 9, 11 - 14
2	* 1121 020 2114	1	Crankcase (2)	3 - 9, 11 - 14
3	0000 988 5211	1	Connector (2)	
4	9416 868 6531	2	Hollow rivet 6.5x0.5x6.8 (2)	
5	9371 470 2610	2	Cylindrical pin 5x18 (2)	
6	0000 974 1200	1	Notched pin 2.6x8 (2)	
7	1128 640 9100	1	Valve (2)	
8	9523 003 4260	1	Grooved ball bearing 15x35x13 (2)	
9	9503 003 0320	1	Grooved ball bearing 16002 (2)	
10	9022 371 1020	5	Spline screw IS-M5x20 (2)	
11	1120 162 5200	1	Pin (2)	
12	1121 162 5205	1	Pin (2)	
13	1121 162 5200	2	Pin (2)	
14	0000 664 2405	1	Collar screw M8 (2)	
15	1121 648 6610	2	Bumper strip (2)	
16	1121 021 1102	1	Cover (2)	
17	9022 313 0660	2	Spline screw IS-M4x12 (2)	
18	1121 664 1000	1	Inner side plate (2)	
19	9039 488 0680	1	Self-tapping screw M4x16 (2)	
20	1121 660 3000	1	Tensioning gear (2)	21
21	1121 664 7301	1	Nut M4 (2)	
22	1121 640 1700	1	Chain sprocket cover (2)	23 - 26
23	9076 478 2996	1	Pan head self-tapping screw P4x12 (2)	
24	1121 648 3800	1	Cover plate (2)	
25	1121 648 2200	1	Adjusting wheel (2)	
26	1125 656 1501	1	Guard (2)	
27	1121 660 1000	1	Wing nut (2)	



133ET083 SC

(1) 026, (2) 026 C, (3) 026 Pro, (4) 026 W, (5) 026 WVH

Ignition system

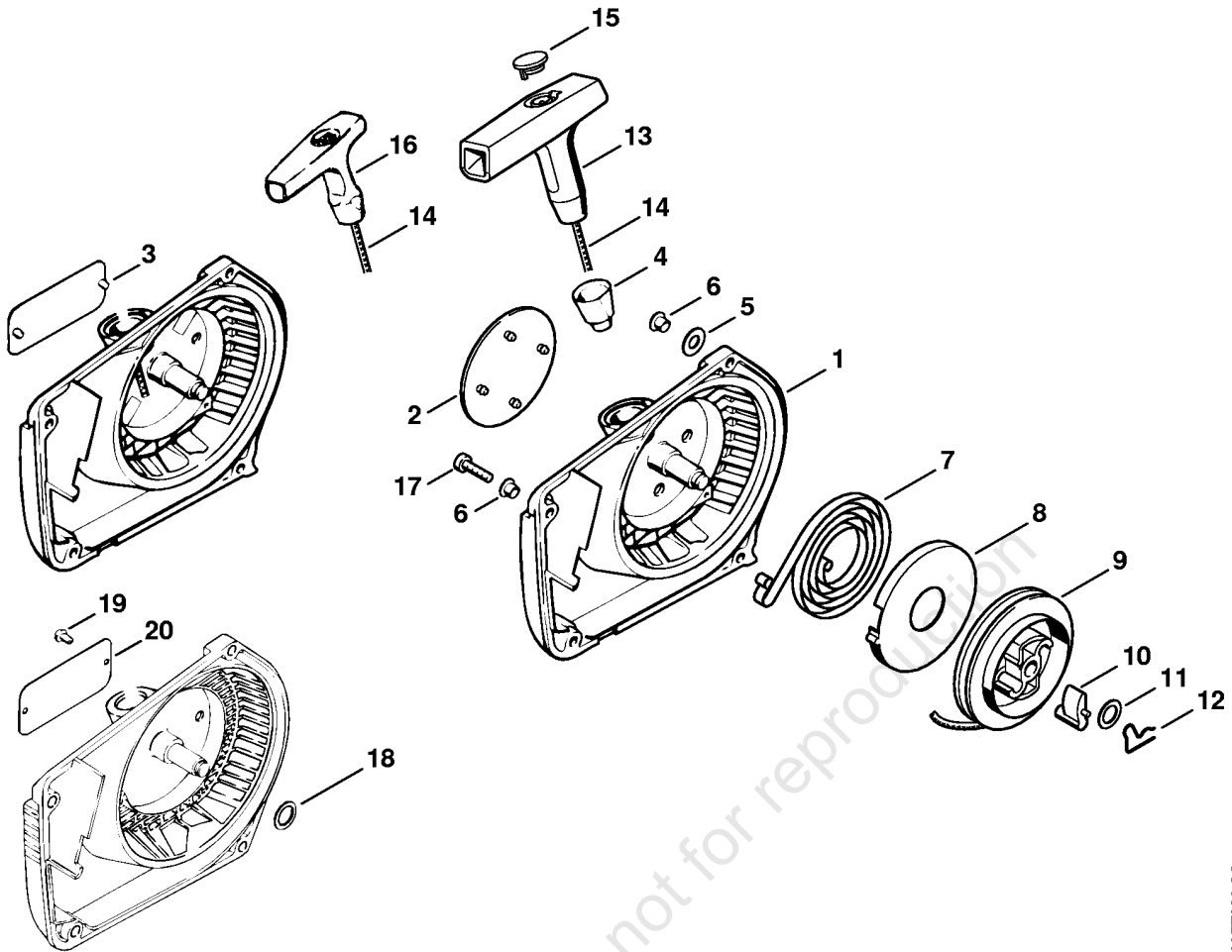
Reference	Item number	Qty	Description	Contains	Up to	Technical Information
1	1121 400 1200	1	Flywheel (1,2,3)			25.2005
2	1121 400 1207	1	Flywheel (4,5)			25.2005
3	1128 404 3500	1	Generator (4,5)	4		
4	1118 431 6600	1	Terminal pin (C) (4,5)			
5	1121 442 0402	1	Insulating hose 35 mm / 1.4" (4,5)			
6	9041 216 0540	3	Pan head screw M3.5x12 (4,5)			
7	1121 405 1900	1	Support (4,5)			
8	9210 261 1140	1	Hexagon nut M8x1			
9	0000 400 1300	1	Ignition module	10 - 12		
10		1	Ignition lead 150 mm (D)			
	0000 405 0600	1	Ignition lead 1 m (B)			
	0000 930 2251	1	Ignition lead 10 m (B)			
11	0000 989 1010	1	Grommet			
12	0000 448 1250	1	Lead retainer			
13	1121 440 3002	1	Wiring harness (1,2,3)	14 - 18		
14	0751 030 8957	1	Terminal socket 4.8-1/0.8 (C)			
15	0751 030 8969	1	Terminal socket A5-1.5 (C)			
16	1110 442 7000	2	Contact sleeve (C)			
17	0000 989 0507	1	Grommet			
18	1125 442 0402	1	Insulating hose 90 mm / 3.5"			
19	1121 440 3003	1	Wiring harness (4,5)	4, 14 - 18, 20, 21		
20	1118 431 6700	1	Terminal socket (C) (4,5)			
21		1	Terminal socket (D) (4,5)			
22	* 1121 440 1103	1	Short circuit wire 305 mm / 12.1"	23, 24		
23	* 1119 442 7000	1	Contact sleeve (C)			
24	* 0751 030 8953	1	Terminal socket 4.8-1 (C)			
25	* 1121 405 8001	1	Insulating hose 90 mm / 3.5"			

(1) 026, (2) 026 C, (3) 026 Pro, (4) 026 W, (5) 026 WVH

Ignition system

Reference	Item number	Qty	Description	Contains	Up to	Technical Information
	* 1121 007 1033	1	Ground wire kit	16, 25 - 27		
26	*	1	Lead 270 mm / 10.6" (D)			
	* 0751 010 1110	1	Cable 10 m			
27	* 0751 030 8969	1	Terminal socket A5-1.5 (C)			
29	9022 341 1019	2	Spline screw IS-M5x20			
30	1121 084 1410	1	Cover			
31	1128 405 1000	1	Spark plug boot			
32	0000 998 0604	1	Spark plug contact spring			
33	* 1106 405 1000	1	Spark plug boot		19830899	
34	* 0000 998 0603	1	Torsion spring		19830899	

Rewind starter



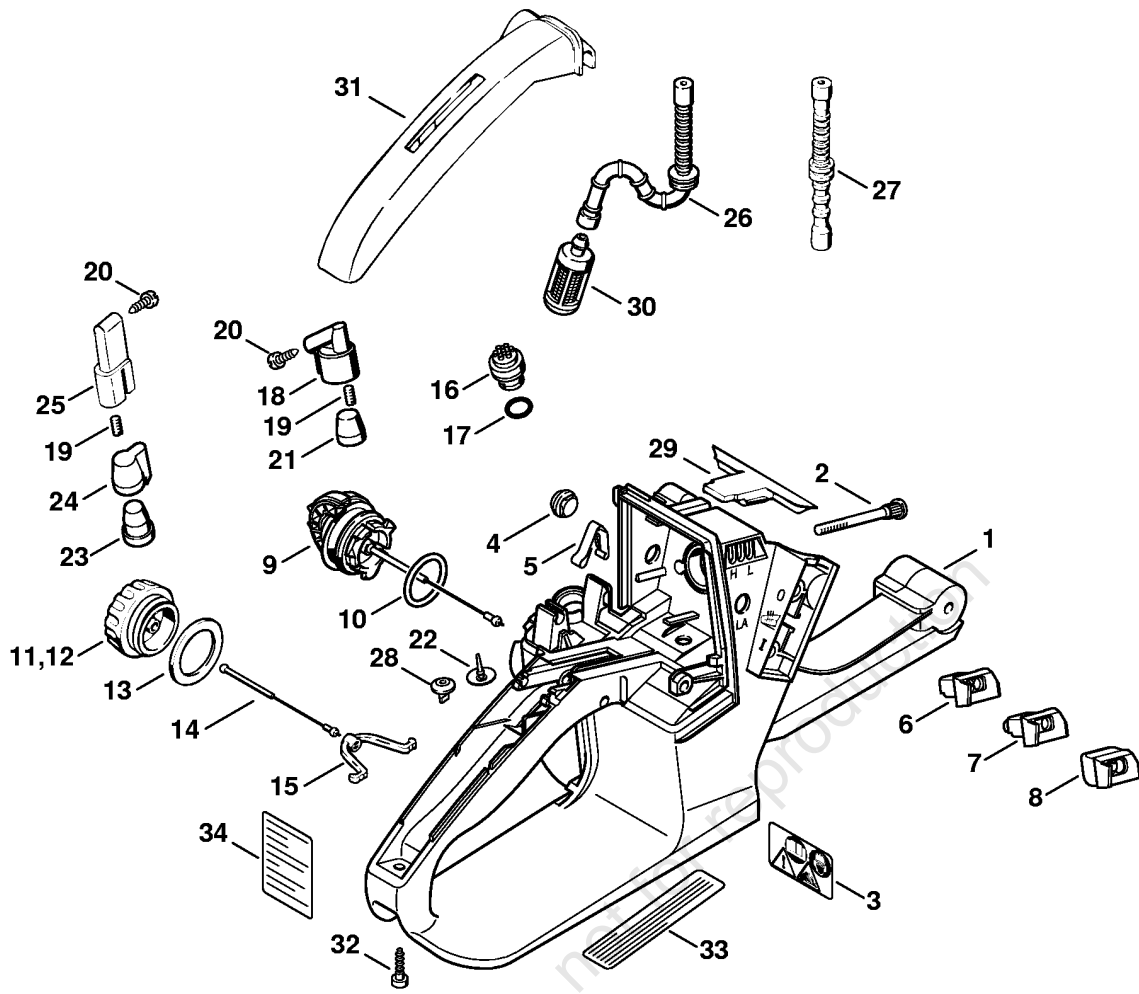
133ET086 SC

(1) 026, (2) 026 C, (3) 026 Pro, (4) 026 W, (5) 026 WVH

Rewind starter

Reference	Item number	Qty	Description	Contains	Up to
	1121 080 2101	1	Fan housing with rewind starter	1, 2, 4 - 15	
1	1121 080 1812	1	Fan housing	2, 4 - 6	
2	0000 967 1500	1	Nameplate STIHL		
3	* 0000 967 2035	1	Nameplate STIHL		
4	1110 084 9102	1	Bushing		
5	0000 958 0514	1	Washer		
6	9416 868 5630	4	Hollow rivet 5.5x0.5x6.8		
7	1118 190 0600	1	Rewind spring	8	
8	1118 195 0300	1	Spring housing		
9	1125 195 0401	1	Rope rotor		
10	1125 195 7200	1	Pawl		
11	0000 958 0923	1	Washer		
12	1118 195 3500	1	Spring		
13	0000 190 3401	1	Starter grip ElastoStart Ø 3.5 mm	14, 15	
14	1113 195 8200	1	Starter rope Ø 3.5x960 mm		
	0000 930 2203	1	Starter rope Ø 3.5 mm x 30.5 m (B)		
	0000 930 2212	1	Starter rope Ø 3.5 mm x 60.8 m (B)		
15	0000 195 7001	1	Cap		
16	1121 195 3400	1	Starter grip		
17	9022 313 0680	3	Pan head screw IS M4x16		
18	* 0000 958 0806	1	Washer		23082544
19	* 0000 974 1000	2	Round head rivet 3x6		
20	* 0000 967 2020	1	Nameplate STIHL		

Tank housing



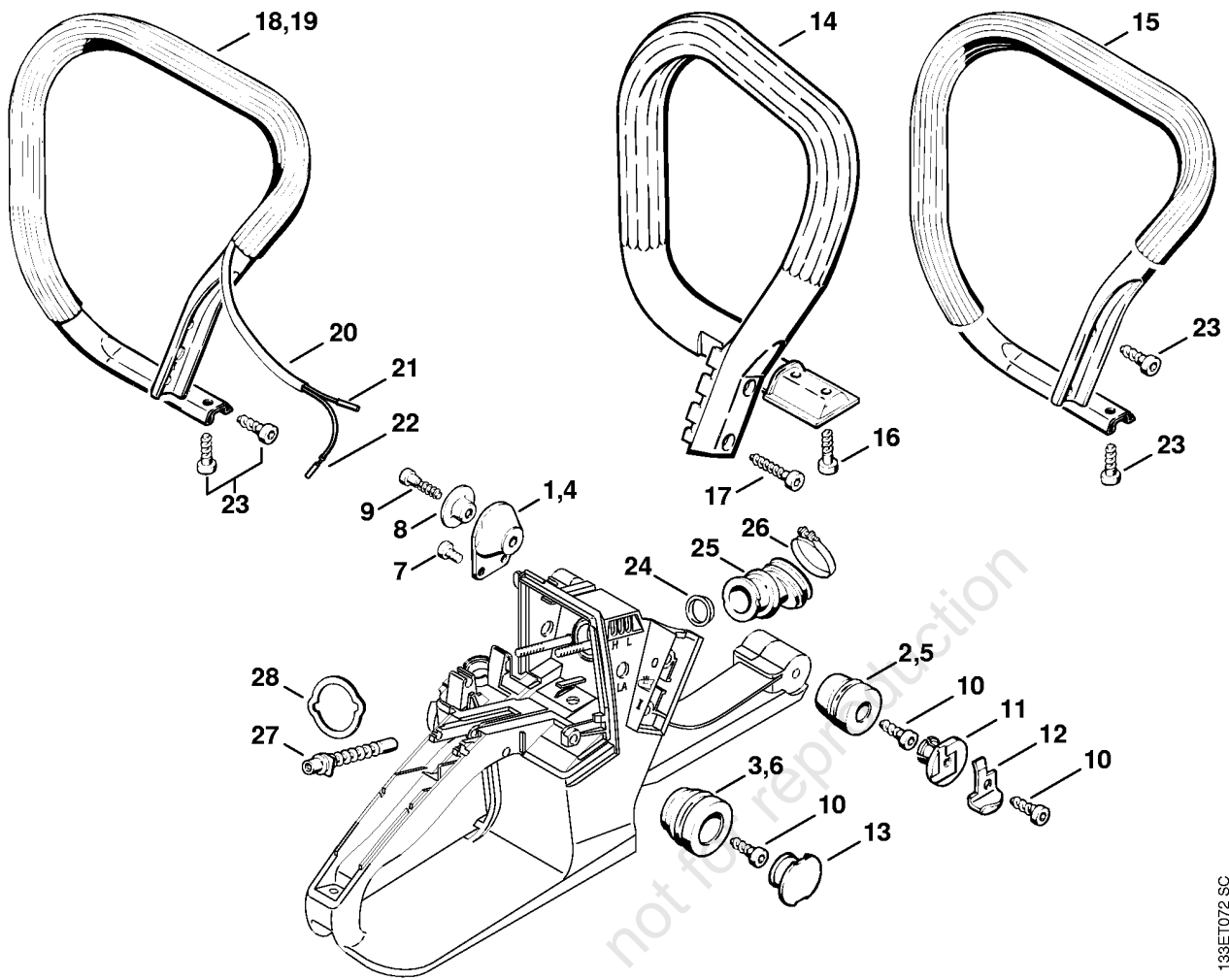
133ET088 SC

Tank housing

Reference	Item number	Qty	Description	Contains	Up to
1	1121 350 0829	1	Tank housing	2 - 10, 16, 17, 26	
2	1121 122 6600	2	Collar screw		
3	0000 967 3662	1	Warning pictogram MS		
4	1121 791 2800	1	Stop buffer		
5	1125 442 1601	1	Contact spring		
6	1121 123 7501	1	Grommet (1,2,4,5)		
7	1121 123 7502	1	Grommet USA (3)		
8	1121 123 7504	1	Grommet CDN		
9	0000 350 0533	1	Filler cap	10	
10	9645 948 7734	1	O-ring 25x3.5		
11	* 0000 350 0520	1	Filler cap	13 - 15	
12	* 0000 350 0521	1	Filler cap Cat.	13 - 15	
13	* 0000 359 1220	1	Sealing ring		
14	* 0000 350 0900	1	Rope		
15	* 0000 353 0600	1	Hook		
16	0000 350 5800	1	Tank vent	17	
17		1	O-ring (D)		
18	* 1121 350 5802	1	Tank vent	19, 20	
19	* 1120 358 8105	1	Vent insert		
20	* 9099 021 2770	1	Self-tapping screw 3.9x13		
21	* 1122 358 1800	1	Filter		
22	* 1110 353 1600	1	Valve		
23	* 1121 358 1800	1	Filter		147088866
24	* 1121 358 2500	1	Cap		147088866
25	* 1121 350 5800	1	Tank vent	19, 20	30976774
26	1121 358 7700	1	Hose		
27	* 1121 358 7705	1	Hose		36453619
28	* 4114 353 1600	1	Valve		36453619
29	* 1121 791 7500	1	Cover (1,2,3)		36453619
30	0000 350 3518	1	Pickup body		
31	1121 791 0600	1	Handle molding		
32	9074 478 3076	1	Pan head self-tapping screw IS-P4x19		
33	0000 967 3500	1	Instruction label USA (1,3)		
34	0000 967 3405	1	Instruction label (C) Cat.		

(1) 026, (2) 026 C, (3) 026 Pro, (4) 026 W, (5) 026 WVH

AV system



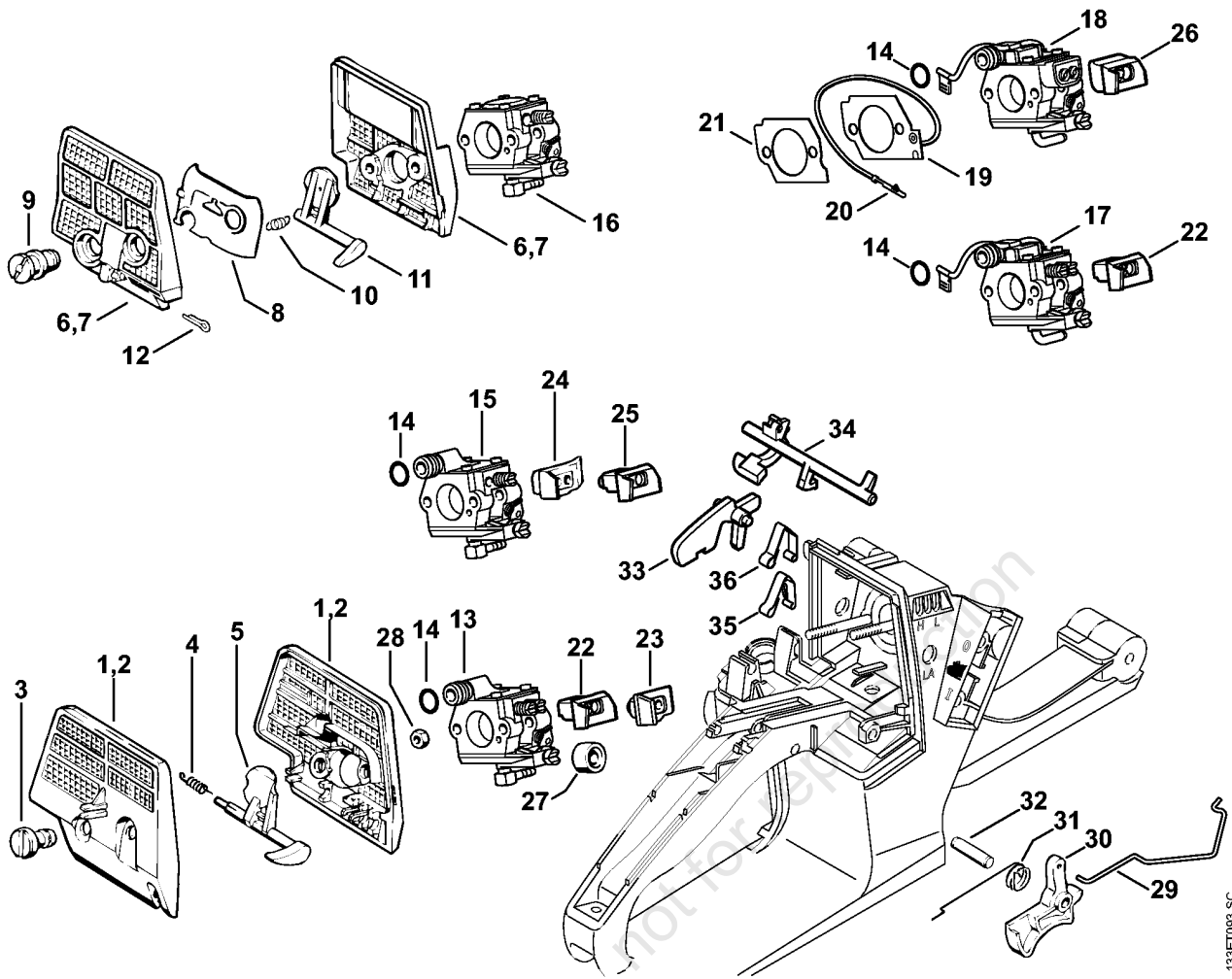
133ET072 SC

(1) 026, (2) 026 C, (3) 026 Pro, (4) 026 W, (5) 026 WVH

AV system

Reference	Item number	Qty	Description	Contains	Up to
		1	AV system normal:		
1	1121 790 9901	1	Annular buffer		
2	1121 790 9912	1	Annular buffer		
3	1121 790 9909	1	Annular buffer		
		1	AV system soft:		
4	1121 790 9902	1	Annular buffer		
5	1121 790 9903	1	Annular buffer		
6	1121 790 9904	1	Annular buffer		
7	9022 341 0960	2	Spline screw IS-M5x12		
8	1121 791 7202	1	Sleeve		
9	9074 478 4545	1	Pan head self-tapping screw IS-P6x26.5		
10	9074 478 4435	3	Pan head self-tapping screw IS-P6x19		
11	1119 791 7305	1	Plug		
12	1119 656 7705	1	Chain catcher		
13	1125 791 7306	1	Plug		
14	1121 790 1701	1	Handlebar (1,2,3)	16, 17	
15	* 0000 791 2009	1	Handle hose Ø 19 mm x 5 m / 3/4x197" (1,2,3)		26677245
16	9074 478 4475	2	Pan head self-tapping screw IS-P6x21.5 (1,2,3)		
17	9074 478 4675	2	Pan head self-tapping screw IS-P6x32.5 (1,2,3)		
18	1121 790 1714	1	Handlebar (4,5)	20 - 22	
19	* 1121 790 1712	1	Handlebar (4,5)	20 - 22	33339217
20	1121 442 0403	1	Insulating hose 130 mm / 5.1" (4,5)		
21	0000 442 7000	1	Contact sleeve (C) (4,5)		
22	1118 431 6700	1	Terminal socket (C) (4,5)		
23	9074 478 4435	4	Pan head self-tapping screw IS-P6x19 (4,5)		
24	1113 141 1805	1	Sleeve		
25	1121 141 2200	1	Manifold		
26	9771 021 2550	1	Hose clip Ø 32x5		
27	1113 141 8600	1	Impulse hose		
28	1121 121 8600	1	Washer		

Air filter, Throttle control



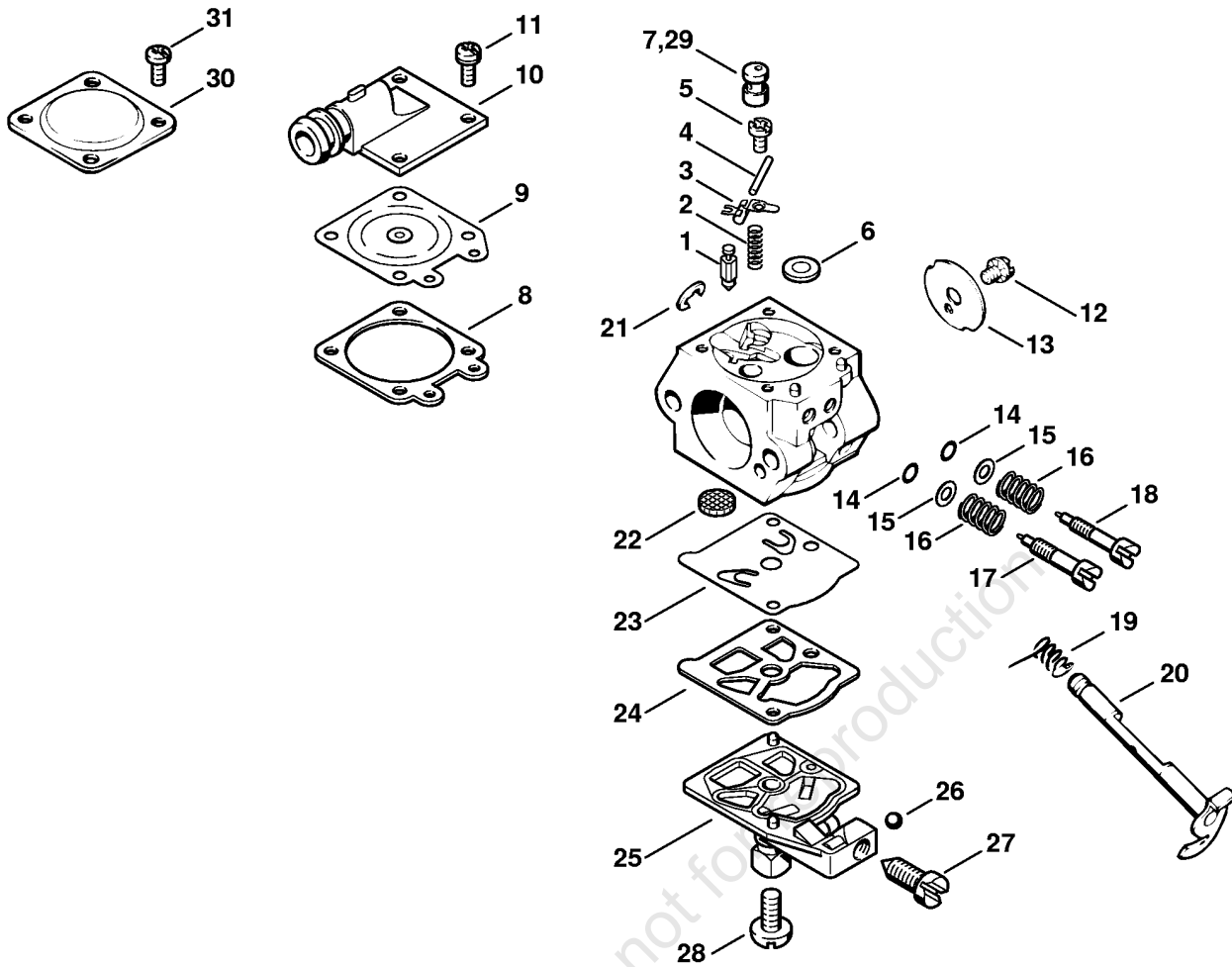
133ET083_SC

(1) 026, (2) 026 C, (3) 026 Pro, (4) 026 W, (5) 026 WVH

Air filter, Throttle control

Reference	Item number	Qty	Description	Contains	Up to
1	1121 120 1617	1	Air filter	3 - 5	
2	1121 120 1618	1	Air filter, fleece USA, CDN	3 - 5	
3	1124 141 8300	2	Slotted nut		
4	1121 124 3000	1	Torsion spring		
5	1121 120 2900	1	Choke shutter		
6	* 1121 120 1611	1	Air filter, wire mesh	8 - 12	32252038
7	* 1121 120 1612	1	Air filter, fleece	8 - 12	32252038
8	* 1121 121 7001	1	Baffle		32252038
9	* 1121 141 8300	2	Slotted nut		32252038
10	* 0000 997 5505	1	Tension spring		32252038
11	* 1121 121 2900	1	Choke shutter		32252038
12	* 9395 825 1090	1	Split pin 2x10		32252038
13	1121 120 0611	1	Carburetor WT-426B (1,2,4)		
14	9645 945 7485	1	O-ring 7x2.5		
15	1121 120 0610	1	Carburetor WT-403B USA (1,3)		
16	* 1121 120 0613	1	Carburetor WT-493A (1,3)		
17	1121 120 0612	1	Carburetor WT-427 (5)		
18	1121 120 0616	1	Carburetor WT-590		
19	1128 434 5101	1	Heating element (5)	20	
20	1118 431 6600	1	Terminal pin (C) (5)		
21	1125 121 9900	1	Heater plate (5)		
22	1121 123 7501	1	Grommet (1,2,4,5)		
23	* 1118 123 7500	1	Grommet (1,2,4,5)		148731425
24	1121 123 7502	1	Grommet USA (3)		
25	* 1121 123 7500	1	Grommet USA (3)		148731425
26	1121 123 7504	1	Grommet CDN		
27	1121 122 7000	1	Grommet		
28	9210 260 0700	2	Hexagon nut M5		
29	1121 182 1501	1	Throttle rod		
30	1118 182 1006	1	Throttle trigger		
31	1117 182 4500	1	Torsion spring		
32	9371 470 2640	1	Cylindrical pin 5x24		
33	1117 182 0805	1	Lockout lever		
34	1125 182 0901	1	Switch shaft		
35	1125 442 1601	1	Contact spring		
36	* 1125 442 1600	1	Contact spring		148731425

(1) 026, (2) 026 C, (3) 026 Pro, (4) 026 W, (5) 026 WVH



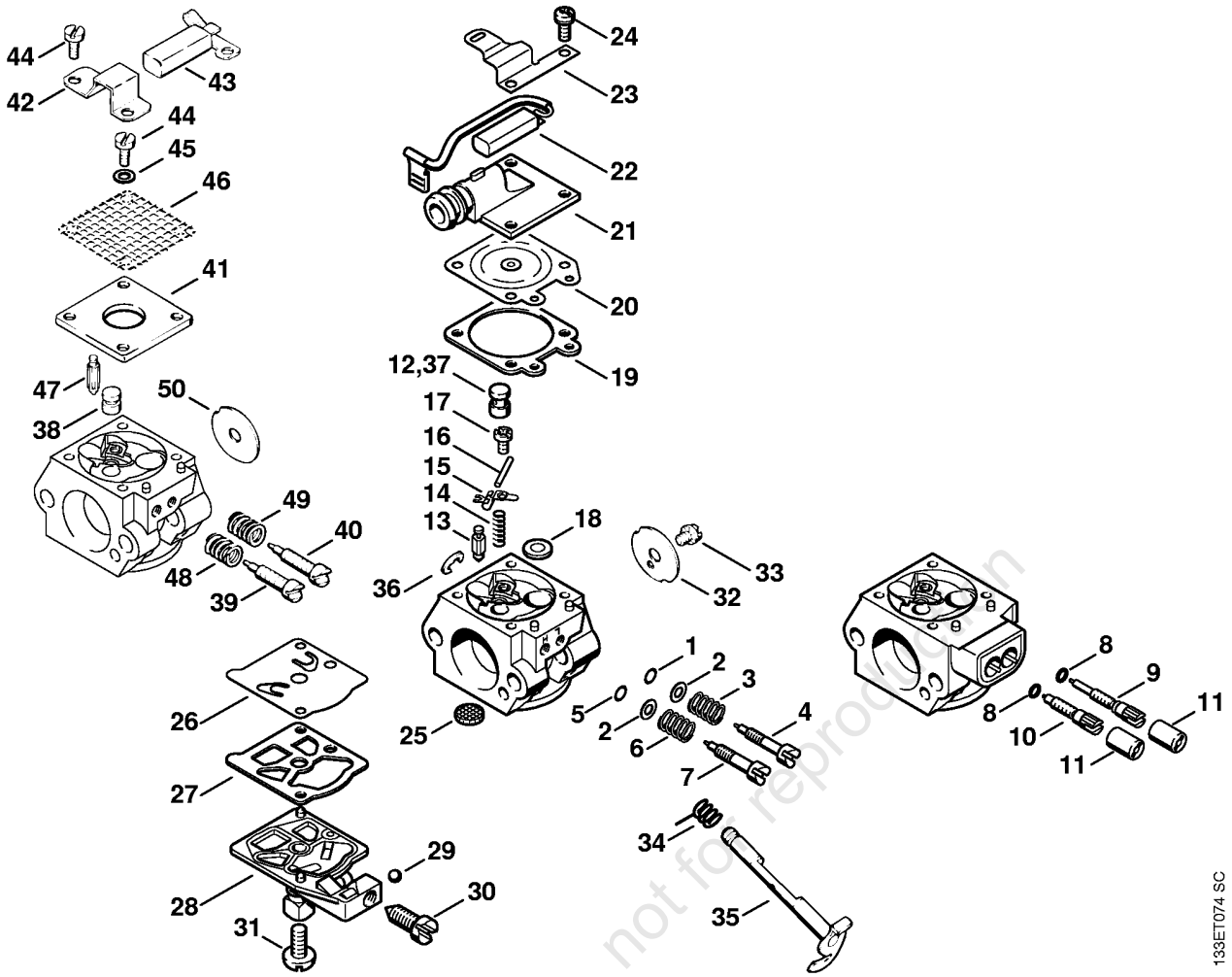
127ET075 SC

(1) 026, (2) 026 C, (3) 026 Pro, (4) 026 W, (5) 026 WVH

Carburetor WT-426

Reference	Item number	Qty	Description	Contains	Up to
	1121 120 0611	1	Carburetor WT-426B (1,2,4)	1 - 28	
1	4116 121 5100	1	Inlet needle (1,2,4)		
2	1114 122 3005	1	Spring (1,2,4)		
3	1113 121 5000	1	Inlet control lever (1,2,4)		
4	1113 121 9200	1	Spindle (1,2,4)		
5	1114 122 7400	1	Round head screw (1,2,4)		
6	4117 122 9402	1	Plug (1,2,4)		
7	1121 121 5400	1	Valve jet 0.48 (1,2,4)		
8	1120 129 0900	1	Gasket (1,2,4)		
9	1113 121 4705	1	Metering diaphragm (1,2,4)		
10	1121 121 0810	1	End cover (1,2,4)		
11	1121 122 7101	4	Screw (1,2,4)		
12	1110 122 7400	1	Round head screw (1,2,4)		
13	1121 121 3301	1	Throttle shutter (1,2,4)		
14	4130 122 3600	2	Sealing ring (1,2,4)		
15	4130 121 8601	2	Washer (1,2,4)		
16	1115 122 3002	2	Spring (1,2,4)		
17	1121 122 6700	1	High speed screw (1,2,4)		
18	1121 122 6802	1	Low speed screw (1,2,4)		
19	1113 122 3205	1	Torsion spring (1,2,4)		
20	1121 120 7105	1	Throttle shaft with lever (1,2,4)		
21	1117 122 9000	1	E-clip (1,2,4)		
22	1114 121 7800	1	Strainer (1,2,4)		
23	1121 121 4801	1	Pump diaphragm (1,2,4)		
24	1120 129 0905	1	Gasket (1,2,4)		
25	1121 121 0805	1	End cover (1,2,4)	26, 27	
26	1122 121 7700	1	Clamp (1,2,4)		
27	1121 122 6205	1	Idle speed screw (1,2,4)		
28	1114 122 7100	1	Screw (1,2,4)		
29	1121 121 5601	1	Fixed jet 0.46 High altitude (1,2,4)		
	1121 007 1062	1	Set of carburetor parts (1,2,4)	1 - 3, 8, 9, 22 - 24	
30	* 1113 121 0800	1	End cover (1,2,4)		32252038
31	* 1106 122 7400	4	Round head screw (1,2,4)		32252038

Carburetor WT-427, WT-590, WT-195, WT-155



133ET074-SC

(1) 026, (2) 026 C, (3) 026 Pro, (4) 026 W, (5) 026 WVH

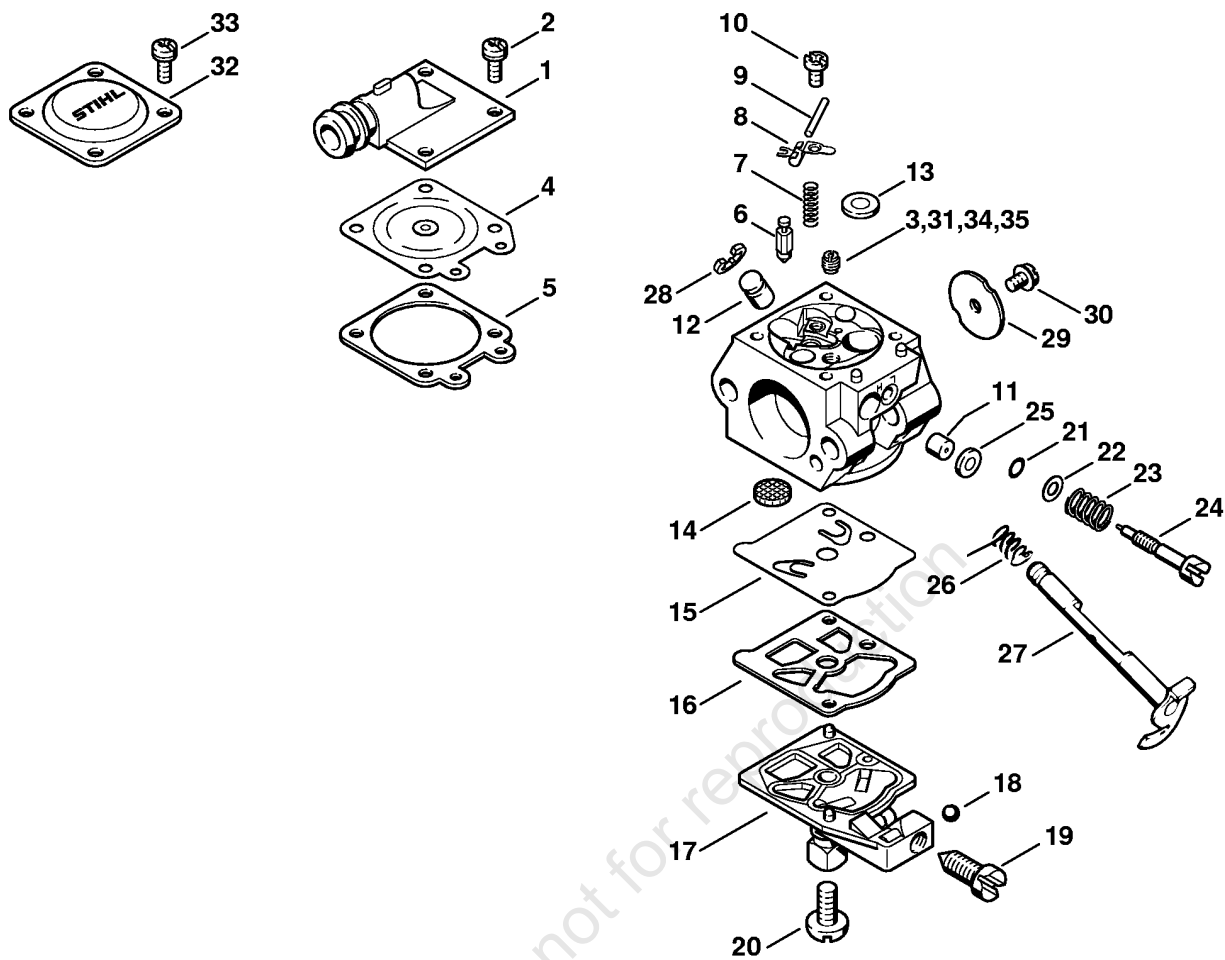
Carburetor WT-427, WT-590, WT-195, WT-155

Reference	Item number	Qty	Description	Contains	Up to
	1121 120 0612	1	Carburetor WT-427 (5)	1 - 7, 11 - 36	
1	4124 122 3600	1	Sealing ring (5)		
2	4130 121 8601	2	Washer (5)		
3	1115 122 3002	1	Spring (5)		
4	1121 122 6802	1	Low speed screw (5)		
5	4130 122 3600	1	Sealing ring (5)		
6	1115 122 3002	1	Spring (5)		
7	1121 122 6700	1	High speed screw (5)		
	1121 120 0616	1	Carburetor WT-590	8 - 36	
8		2	Sealing ring (D)		
9	1121 122 6804	1	Low speed screw	8	
10	1121 122 6702	1	High speed screw	8	
11	4203 121 2700	2	Cap (5)		
12	1121 121 5400	1	Valve jet 0.48 (5)		
13	4116 121 5100	1	Inlet needle (5)		
14	1114 122 3005	1	Spring (5)		
15	1113 121 5000	1	Inlet control lever (5)		
16	1113 121 9200	1	Spindle (5)		
17	1114 122 7400	1	Round head screw (5)		
18	4117 122 9402	1	Plug (5)		
19	1120 129 0900	1	Gasket (5)		
20	1113 121 4705	1	Metering diaphragm (5)		
21	1121 121 0810	1	End cover (5)		
22	1125 430 0500	1	Switch (5)		
23	1121 122 4605	1	Support (5)		
24	1121 122 7101	4	Screw (5)		
25	1114 121 7800	1	Strainer (5)		
26	1121 121 4801	1	Pump diaphragm (5)		
27	1120 129 0905	1	Gasket (5)		
28	1121 121 0805	1	End cover (5)	29, 30	
29	1122 121 7700	1	Clamp (5)		
30	1121 122 6205	1	Idle speed screw (5)		
31	1114 122 7100	1	Screw (5)		
32	1121 121 3301	1	Throttle shutter (5)		
33	1110 122 7400	1	Round head screw (5)		
34	1113 122 3205	1	Torsion spring (5)		
35	1121 120 7105	1	Throttle shaft with lever (5)		
36	1117 122 9000	1	E-clip (5)		

(1) 026, (2) 026 C, (3) 026 Pro, (4) 026 W, (5) 026 WVH

Carburetor WT-427, WT-590, WT-195, WT-155

Reference	Item number	Qty	Description	Contains	Up to
37	1121 121 5601	1	Fixed jet 0.46 (B) High altitude (5)		
	1121 007 1062	1	Set of carburetor parts (5)	13 - 15, 19, 20, 25 - 27	
38	* 1120 121 5405	1	Valve jet (5)		36453659
39	* 1118 122 6700	1	High speed screw (5)		36453659
40	* 1120 122 6805	1	Low speed screw (5)		36453659
41	* 1121 121 0806	1	End cover (5)		33339217
42	* 1121 122 4600	1	Support (5)		33339217
43	* 1121 430 0501	1	Switch (5)		33339217
44	* 1106 122 7400	4	Round head screw (5)		33339217
45	* 1111 121 8605	1	Washer (5)		33339217
46	* 1121 121 7805	1	Strainer (5)		33339217
47	* 1110 121 5100	1	Inlet needle (5)		23545784
48	* 1110 122 3030	1	Spring (5)		23545784
49	* 1106 122 3000	1	Spring (5)		23545784
50	* 1121 121 3300	1	Throttle shutter (5)		23545784



133ET095 SC

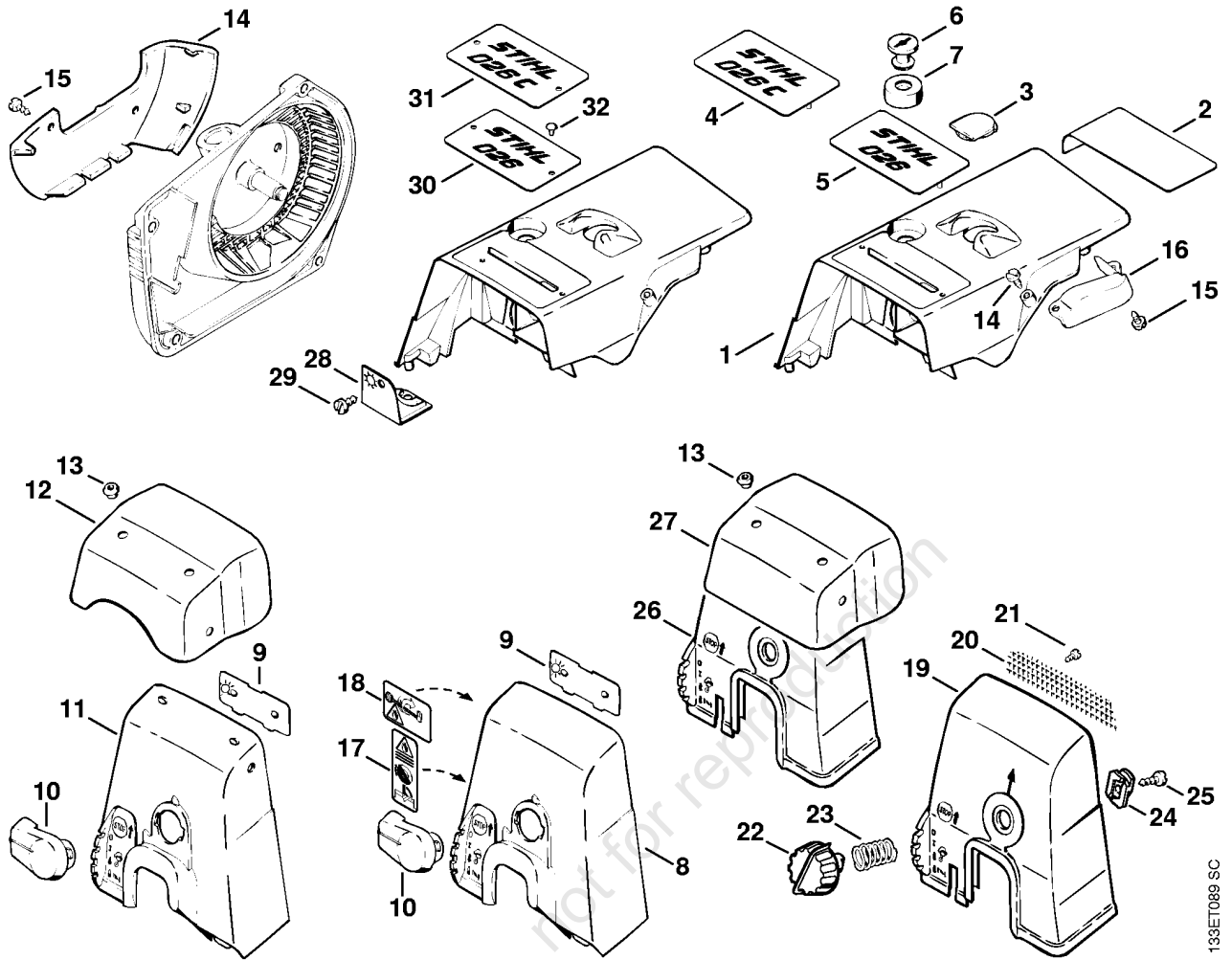
(1) 026, (2) 026 C, (3) 026 Pro, (4) 026 W, (5) 026 WVH

Carburetor WT-403, WT-493

Reference	Item number	Qty	Description	Contains
	1121 120 0610	1	Carburetor WT-403B USA (3)	1 - 30
	* 1121 120 0613	1	Carburetor WT-493A USA (3)	4 - 30, 32 - 34
1	1121 121 0810	1	End cover USA (3)	
2	1121 122 7101	4	Screw USA (3)	
3	1120 121 5600	1	Fixed jet 0.56 USA (3)	
4	1113 121 4705	1	Metering diaphragm USA (3)	
5	1120 129 0900	1	Gasket USA (3)	
6	4116 121 5100	1	Inlet needle USA (3)	
7	1114 122 3005	1	Spring USA (3)	
8	1113 121 5000	1	Inlet control lever USA (3)	
9	1113 121 9200	1	Spindle USA (3)	
10	1114 122 7400	1	Round head screw USA (3)	
11	4133 120 8600	1	Non-return valve USA (3)	
12	1115 121 5401	1	Valve jet USA (3)	
13	4117 122 9402	1	Plug USA (3)	
14	1114 121 7800	1	Strainer USA (3)	
15	1121 121 4801	1	Pump diaphragm USA (3)	
16	1120 129 0905	1	Gasket USA (3)	
17	1121 121 0805	1	End cover USA (3)	18, 19
18	1122 121 7700	1	Clamp USA (3)	
19	1121 122 6205	1	Idle speed screw USA (3)	
20	1114 122 7100	1	Screw USA (3)	
21	4124 122 3600	1	Sealing ring USA (3)	
22	1111 121 8605	1	Washer USA (3)	
23	1115 122 3002	1	Spring USA (3)	
24	1121 122 6803	1	Low speed screw USA (3)	
25		1	Plug (C) USA (3)	
26	1113 122 3205	1	Torsion spring USA (3)	
27	1121 120 7105	1	Throttle shaft with lever USA (3)	
28	1117 122 9000	1	E-clip USA (3)	
29	1123 121 3301	1	Throttle shutter USA (3)	
30	1110 122 7400	1	Round head screw USA (3)	
31	1121 121 5602	1	Fixed jet 0.52 (B) High altitude USA (3)	
	1121 007 1062	1	Set of carburetor parts USA (3)	4 - 8, 14 - 16
32	* 1113 121 0800	1	End cover USA (3)	
33	* 1106 122 7400	4	Round head screw USA (3)	
34	* 1130 121 5600	1	Fixed jet 0.54 USA (3)	
35	* 1129 121 5600	1	Fixed jet 0.50 (B) High altitude USA (3)	

(1) 026, (2) 026 C, (3) 026 Pro, (4) 026 W, (5) 026 WVH

Shroud, Carburetor box cover



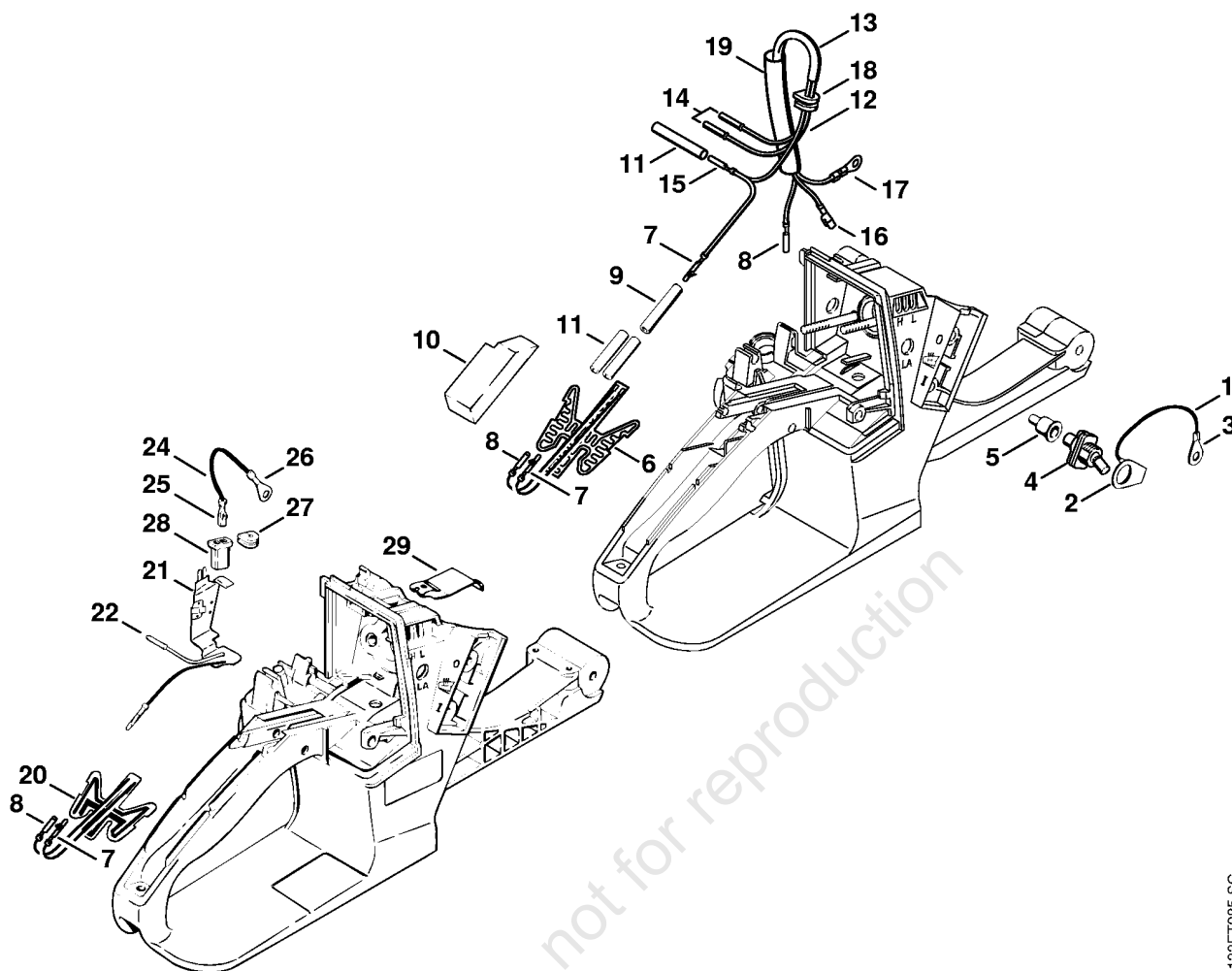
133ET069 SC

(1) 026, (2) 026 C, (3) 026 Pro, (4) 026 W, (5) 026 WVH

Shroud, Carburetor box cover

Reference	Item number	Qty	Description	Contains	Up to
1	1121 080 1609	1	Shroud	2, 3	
2	1119 084 8300	1	Reflector foil		
3	1122 084 7100	1	Cap		
4	1121 967 1513	1	Model plate 026 C		
5	1121 967 1512	1	Model plate 026		
6	1121 084 7000	1	Slotted nut		
7	1121 084 6901	1	Insulator		
8	1121 140 1904	1	Carburetor box cover	9, 10	
9	1121 141 2900	1	Cover		
10	1130 141 2300	1	Twist lock		
	1121 007 1044	1	Intake air preheating kit (B)	9 - 16	
11	1121 140 1907	1	Carburetor box cover (B)	9, 10, 12, 13	
12	1121 141 2505	1	Cover (B)		
13	9438 929 4040	4	Blind rivet 5x8 (B)		
14	1121 084 8201	1	Cover plate (B)		
15	9099 021 2360	4	Self-tapping screw 3.5x9.5 (B)		
16	1121 084 1700	1	Air guide (B)		
17	0000 967 3605	1	Warning pictogram Filler cap USA, CDN		
18	* 0000 967 3692	1	Warning pictogram Filler cap USA, CDN		
19	* 1121 140 1902	1	Carburetor box cover	20 - 25	32252038
20	* 1121 124 0811	1	Prefilter		32252038
21	* 9099 021 0160	1	Self-tapping screw 2.2x6.5		32252038
22	* 1121 141 2300	1	Twist lock		32252038
23	* 0000 997 1335	1	Compression spring		32252038
24	* 1121 141 2100	1	Detent		32252038
25	* 9074 478 3025	1	Pan head self-tapping screw IS-P4x16		32252038
	* 1121 007 1027	1	Intake air preheating kit (B)	13 - 16, 20 - 27	32252038
26	* 1121 140 1906	1	Carburetor box cover (B)	13, 20 - 25, 27	32252038
27	* 1121 141 2501	1	Cover (B)		32252038
28	* 1121 084 4100	1	Shutter		32252038
29	* 9099 021 2770	1	Self-tapping screw 3.9x13		32252038
30	* 1121 967 1506	1	Model plate 026		
31	* 1121 967 1510	1	Model plate 026 C		
32	* 0000 974 1000	2	Round head rivet 3x6		

(1) 026, (2) 026 C, (3) 026 Pro, (4) 026 W, (5) 026 WVH

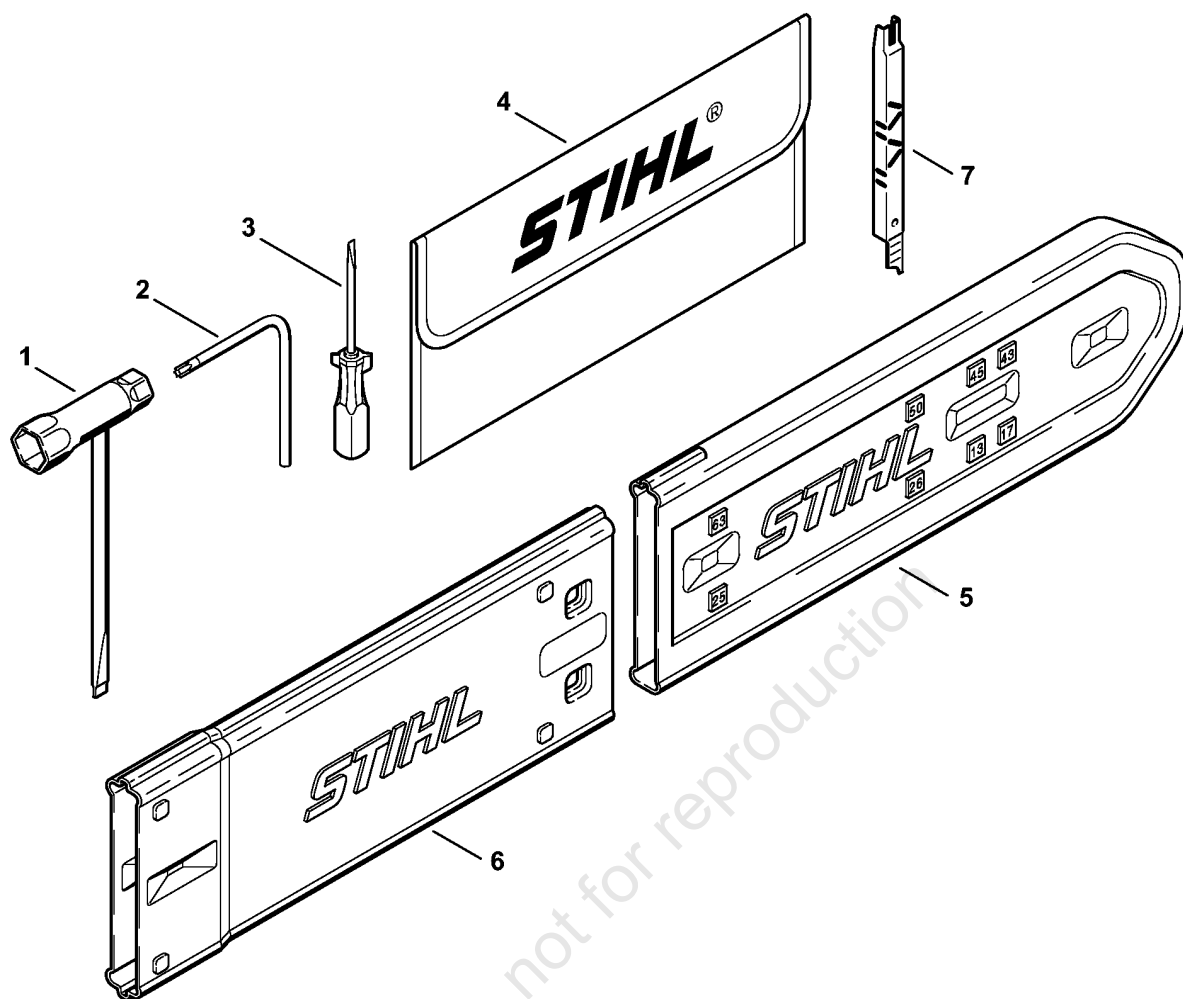


133ET085 SC

(1) 026, (2) 026 C, (3) 026 Pro, (4) 026 W, (5) 026 WVH

Heating

Reference	Item number	Qty	Description	Contains	Up to
1	1121 440 2201	1	Ground wire (4,5)	2, 3	
2	0751 030 8962	1	Terminal socket A 8-1 (C) (4,5)		
3	0751 030 8950	1	Terminal socket A 4-1 (C) (4,5)		
4	1110 430 0202	1	Stop switch (4,5)		
5	1110 432 9200	1	Grommet (4,5)		
6	1128 434 5000	1	Heating element (4,5)	7, 8	
7	1118 431 6600	1	Terminal pin (C) (4,5)		
8	1118 431 6700	1	Terminal socket (C) (4,5)		
9	1121 442 0406	1	Insulating hose 40 mm / 1.6" (4,5)		
10	1121 791 9000	1	Clamp (4,5)		
11	1121 442 0402	3	Insulating hose 35 mm / 1.4" (4,5)		
12	* 1121 440 3000	1	Wiring harness (4,5)	7, 8, 13 - 18	
13	* 1123 442 0400	1	Shrink-on tube (4,5)		
14	* 1119 442 7000	2	Contact sleeve (C) (4,5)		
15	*	1	Terminal socket (D) (4,5)		
16	* 0751 030 8957	1	Terminal socket 4.8-1/0.8 (C) (4,5)		
17	* 0751 030 8969	1	Terminal socket A5-1.5 (C) (4,5)		
18	* 0000 989 0507	1	Grommet (4,5)		
19	* 1121 405 8001	1	Insulating hose 90 mm / 3.5" (4,5)		
20	* 1125 434 5000	1	Heating element (4,5)	7, 8	33339217
21	* 1121 430 3202	1	Circuit board (4,5)	22	33339217
22	* 1110 442 7000	1	Contact sleeve (C) (4,5)		33339217
24	* 1121 440 2203	1	Ground wire (4,5)	25, 26	33339217
25	* 0751 030 8402	1	Terminal socket 2.8-1/0.5 (C) (4,5)		33339217
26	* 0751 030 8969	1	Terminal socket A5-1.5 (C) (4,5)		33339217
27	* 4112 432 9202	1	Grommet (4,5)		33339217
28	* 0751 030 8466	1	Terminal socket housing (C) (4,5)		33339217
29	* 1121 791 1300	1	Sealing flap (4,5)		36453619



(1) 026, (2) 026 C, (3) 026 Pro, (4) 026 W, (5) 026 WVH

Tools, Extras

Reference	Item number	Qty	Description	Contains
	1121 890 1400	1	Tool kit	1 - 4
1	1129 890 3401	1	Combination wrench	
2	0812 370 1000	1	Screwdriver T27x120x70	
3	0000 890 2300	1	Screwdriver	
4	0000 891 0810	1	Tool roll	
5	0000 792 9129	1	Chain scabbard	
6	0000 792 9132	1	Chain scabbard extension up to 63 cm (B,C)	
7	1110 893 4000	1	Filing gauge (B)	
	1121 007 1042	1	Mounting kit catalytic converter (A,B)	

online version, not for reproduction