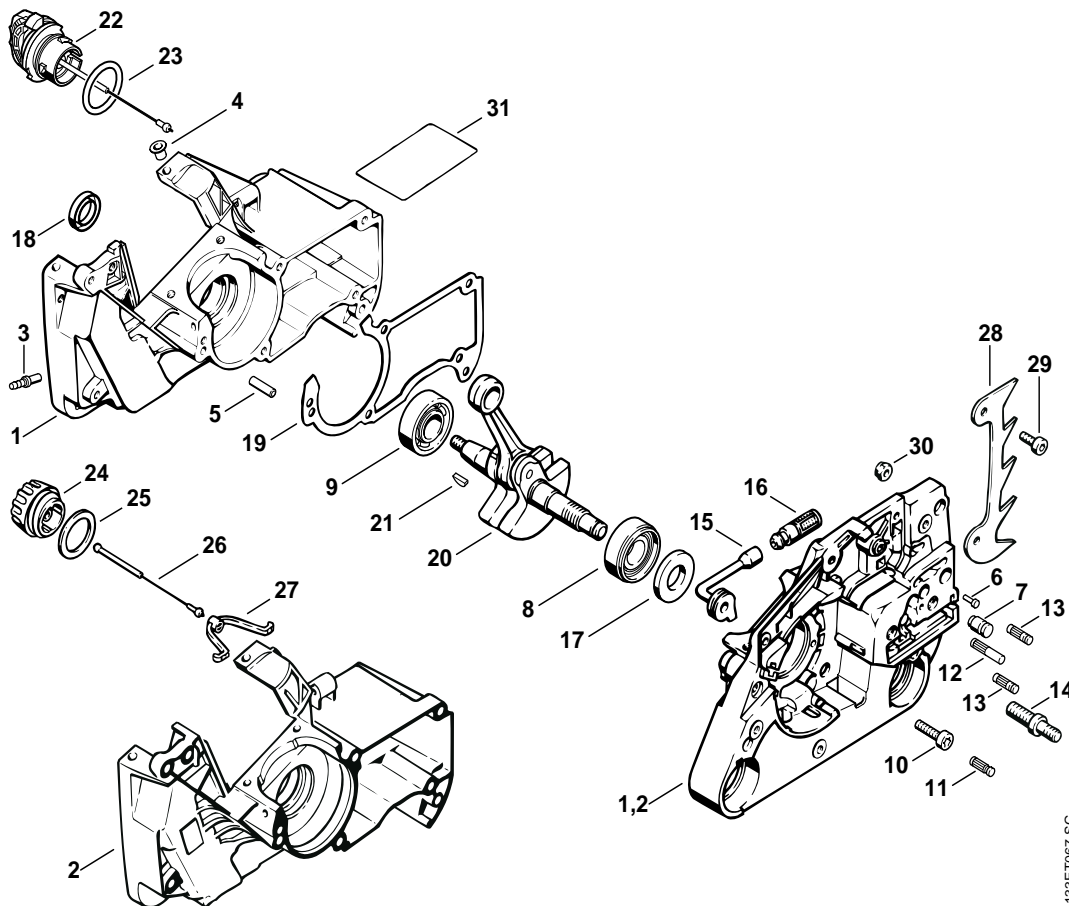


---

# **026** (1121)

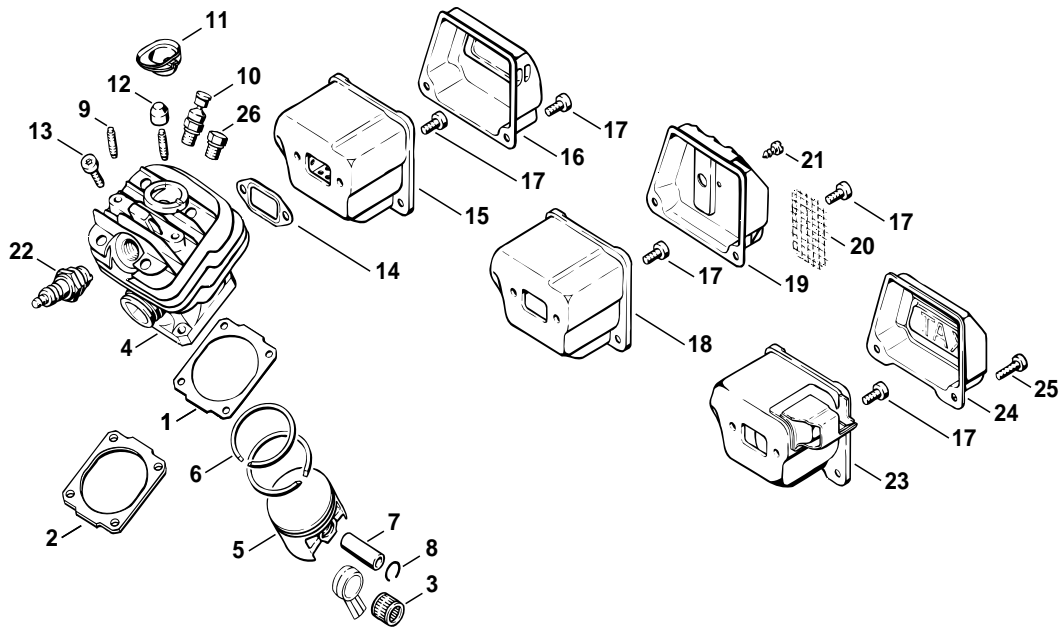
A	Crankcase .....	2
B	Cylinder, Muffler .....	3
C	Oil pump .....	4
D	Clutch .....	5
E	Clutch .....	6
F	Chain brake .....	7
G	Quick tensioner parts .....	8
H	Ignition system .....	9
J	Rewind starter .....	10
K	Tank housing .....	11
L	AV system .....	12
M	Air filter, Throttle control .....	13
N	Carburetor WT-426 .....	14
N	Carburetor WT-426 .....	15
O	Carburetor WT-427, WT-590, WT-195, WT-155 .....	16
O	Carburetor WT-427, WT-590, WT-195, WT-155 .....	17
P	Carburetor WT-403A .....	18
Q	Shroud, Carburetor box cover .....	19
R	Shroud, Carburetor box cover .....	20
S	Heating .....	21
S	Heating .....	22
T	Tools, Extras .....	23



133ET067 SC

Ref. ID	Part Number	Qty.	Part Name
1	1121 020 2117	1	Crankcase Cat. (1,2,4,5,6) □ 3 - 13
2	* 1121 020 2112	1	Crankcase Cat. (1,2,4,5,6) (43.2001) □ 3 - 13
3	0000 988 5211	1	Connector Cat. (1,2,4,5,6)
4	9416 868 6531	2	Hollow rivet 6.5x0.5x6.8 Cat. (1,2,4,5,6)
5	9371 470 2610	2	Cylindrical pin 5x18 Cat. (1,2,4,5,6)
6	0000 974 1200	1	Notched pin 2.6x8 Cat. (1,2,4,5,6)
7	1128 640 9100	1	Valve Cat. (1,2,4,5,6)
8	9503 003 0320	1	Grooved ball bearing 16002 Cat. (1,2,4,5,6)
9	9523 003 4260	1	Grooved ball bearing 15x35x13 Cat. (1,2,4,5,6)
10	9022 371 1020	5	Spline screw IS M5x20 Cat. (1,2,4,5,6)
11	1120 162 5200	1	Pin Cat. (1,2,4,5,6)
12	1121 162 5205	1	Pin Cat. (1,2,4,5,6)
13	1121 162 5200	2	Pin Cat. (1,2,4,5,6)
14	0000 953 6605	2	Collar screw M8 Cat. (1,2,4,5,6)
15	1122 647 9400	1	Hose
16	1117 640 3800	1	Pickup body
17	9640 003 1600	1	Oil seal 15x29.6x4
18	9640 003 1190	1	Oil seal 12x20x5
19	1121 029 0500	1	Gasket
20	1121 030 0405	1	Crankshaft □ 21
21	1120 036 8500	1	Woodruff key 2x3.7
22	0000 350 0526	1	Filler cap □ 23
23	9645 948 2470	1	O-ring 23x3
24	* 0000 350 0510	1	Filler cap (43.2001) □ 25 - 27
25	* 0000 359 1210	1	Sealing ring (43.2001)
26	* 0000 350 0900	1	Rope (43.2001)
27	* 0000 353 0600	1	Hook (43.2001)
28	1110 664 0501	1	Bumper spike
29	9022 341 0960	2	Spline screw IS M5x12
30	9214 320 0700	1	Lock nut M5
31	1124 084 8301	1	Reflector foil Cat.
	1121 007 1050	1	Set of gaskets □ 17 - 19

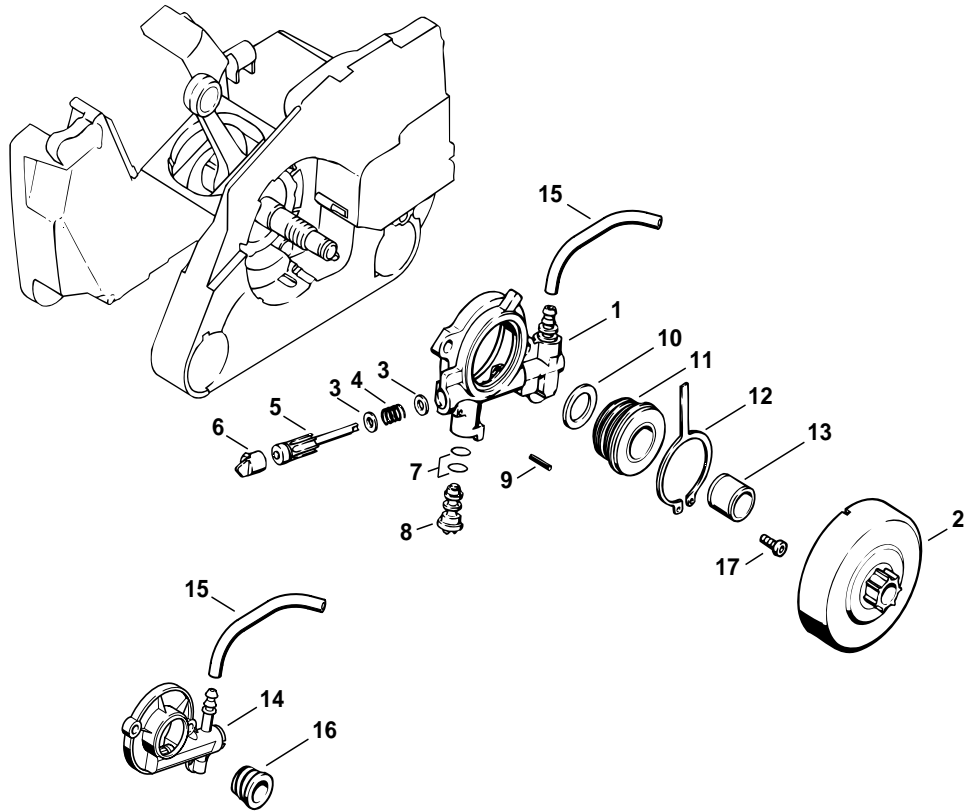
(1) 026, (2) 026 W, (3) 026 C, (4) 026 PRO,  
(5) 026 WVH, (6) 026 Arctic



133ET050 SC

Ref. ID	Part Number	Qty.	Part Name
1	1118 029 2306	1	Cylinder gasket 0.5mm
2	1121 029 2305	1	Cylinder gasket 1mm low compression
3	9512 003 2250	1	Needle cage 10x13x12.5
4	1121 020 1203	1	Cylinder with piston Ø 44mm □ 5 - 9, 26
5	1121 030 2001	1	Piston Ø 44mm □ 5 - 7
6	1121 034 3010	2	Piston ring Ø 44x1.2mm
7	1121 034 1505	1	Piston pin
8	9463 650 1000	2	Snap ring 10
9	0000 953 0818	2	Stud M5
10	1128 020 9400	1	Decompression valve
11	1122 084 1405	1	Cover
12	1121 084 7100	1	Cap
13	9022 371 1020	4	Spline screw IS M5x20
14	1118 149 0600	1	Exhaust gasket
15	1121 140 0604	1	Muffler (1,2,3,5) □ 16
16	1121 145 0802	1	Exhaust casing (1,2,3,5)
17	9022 341 0960		Spline screw IS M5x12
18	1121 140 0606	1	Muffler USA, CDN (4,6) □ 19 - 21
19	1121 140 0802	1	Exhaust casing USA, CDN (4,6) □ 20, 21
20	1118 141 9005	1	Screen USA, CDN (4,6)
21	9099 021 0810	1	Self-tapping screw 4.2x9.5 USA, CDN (4,6)
22	1110 400 7005	1	Spark plug Bosch WSR 6 F
22	0000 400 7000	1	Spark plug NGK BPMR7A
23	1121 140 0605	1	Muffler Cat. □ 24
24	1121 145 0805	1	Exhaust casing Cat.
25	9022 341 0980	2	Spline screw IS M5x16 Cat.
	1121 007 1050	1	Set of gaskets □ 1, 14
26	* 1122 025 2200	1	Plug → X 32 252 038 (31.95)

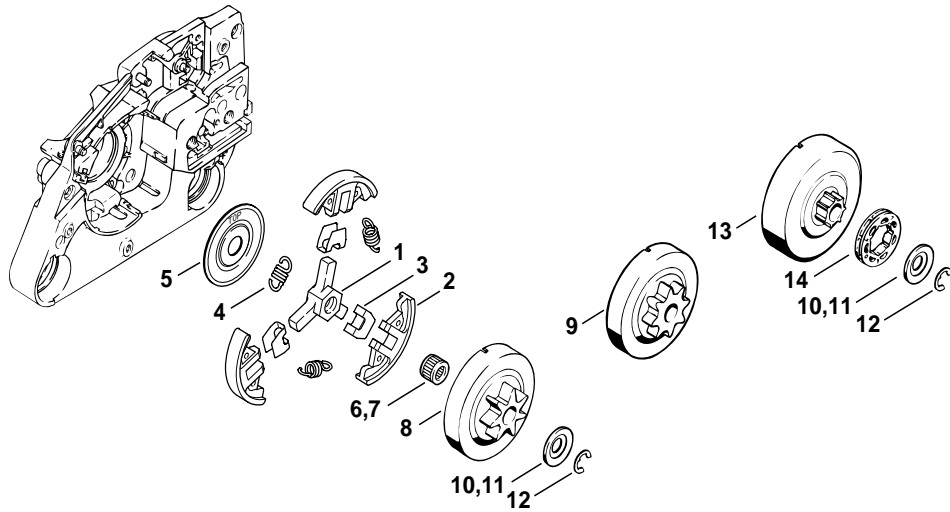
(1) 026, (2) 026 W, (3) 026 C, (4) 026 PRO,  
(5) 026 WVH, (6) 026 Arctic



Ref. ID	Part Number	Qty.	Part Name
	1121 007 1043	1	Conversion kit oil pump, adjustable □ 1 - 13
1	1121 640 3205	1	Oil pump adjustable □ 3 - 9
2		1	Clutch drum (D)
3	0000 958 0407	2	Washer
4	0000 997 0504	1	Compression spring
5	1121 647 0601	1	Pump piston
6	1121 647 7002	1	Plug
7	9646 945 0160	2	O-ring 4x2
8	1128 647 4806	1	Control bolt
9	9380 620 1090	1	Roll pin 2x10
10	0000 958 1234	1	Washer
11	1121 640 7110	1	Worm □ 12
12	1121 647 3100	1	Carrier
13	0000 993 0508	1	Ring 12x15x12
14	1121 640 3202	1	Oil pump 65 (0.65mm stroke)
15	1121 640 9400	1	Hose 75mm / 3"
16	1121 036 1600	1	Worm
17	9022 313 0660	2	Spline screw IS M4x12

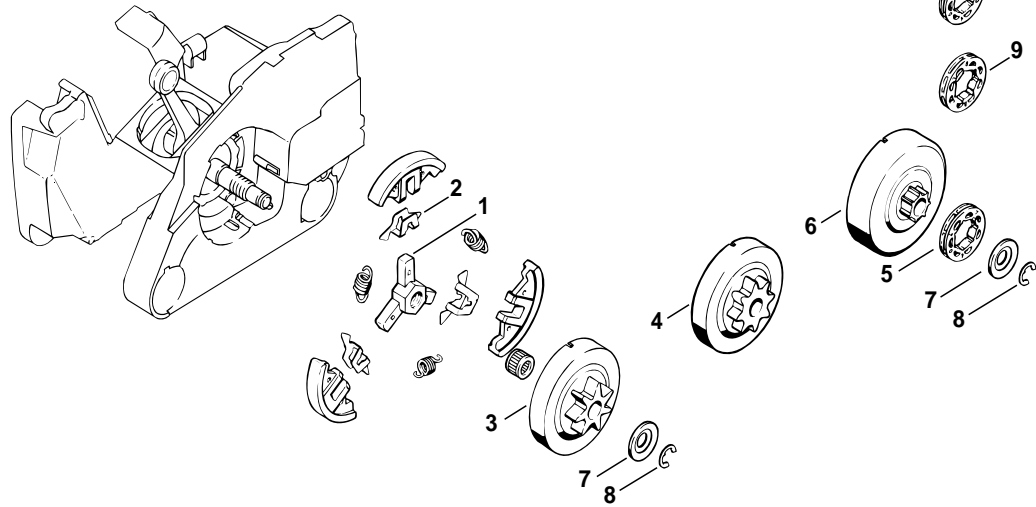
133ET044 SC

not for reprint



133ET051 SC

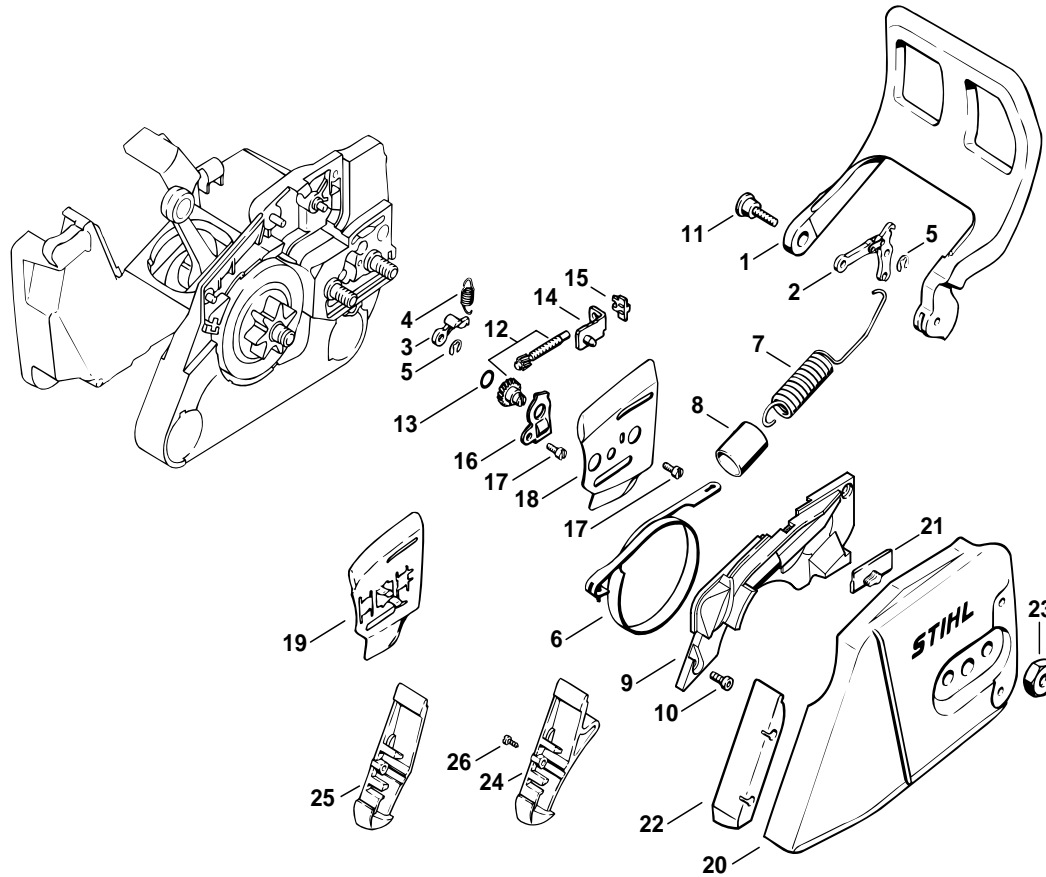
Ref. ID	Part Number	Qty.	Part Name
	1121 160 2050	1	Clutch □ 1 - 5
1	1121 162 3201	1	Carrier
2	1121 162 0801	3	Clutch shoe
3	1127 162 3000	3	Retainer
4	0000 997 5626	3	Tension spring
5	1121 162 1001	1	Cover washer
6	9512 003 2260	1	Needle cage 10x13x10 CDN
7	9512 933 2260	1	Needle cage 10x13x10
8	1121 640 2004	1	Chain sprocket 0.325" 7T
9	1121 640 2005	1	Chain sprocket 0.325" 8T (B)
10	0000 958 1032	1	Washer Ø 27mm CDN
11	0000 958 1022	1	Washer Ø 27mm
12	9460 624 0801	1	E-clip 8x1.3
	1121 007 1037	1	Rim sprocket kit 0.325" 7T (B) □ 11 - 14
13		1	Clutch drum (D)
14	0000 642 1236	1	Rim sprocket 0.325" 7T
	1121 007 1038	1	Rim sprocket kit 0.325" 8T (B) □ 11 - 13, 15
15	0000 642 1234	1	Rim sprocket 0.325" 8T
	1121 007 1039	1	Rim sprocket kit Picco 7T (B) □ 11 - 13, 16
16	0000 642 1240	1	Rim sprocket 3/8" Picco 7T (B)
	1121 007 1040	1	Rim sprocket kit 3/8" Picco 8T (B) □ 11 - 13, 17
17	0000 642 1241	1	Rim sprocket 3/8" Picco 8T (B)
	1121 007 1041	1	Rim sprocket kit 3/8" 7T (B) □ 11 - 13, 18
18	0000 642 1231	1	Rim sprocket 3/8" 7T (B)



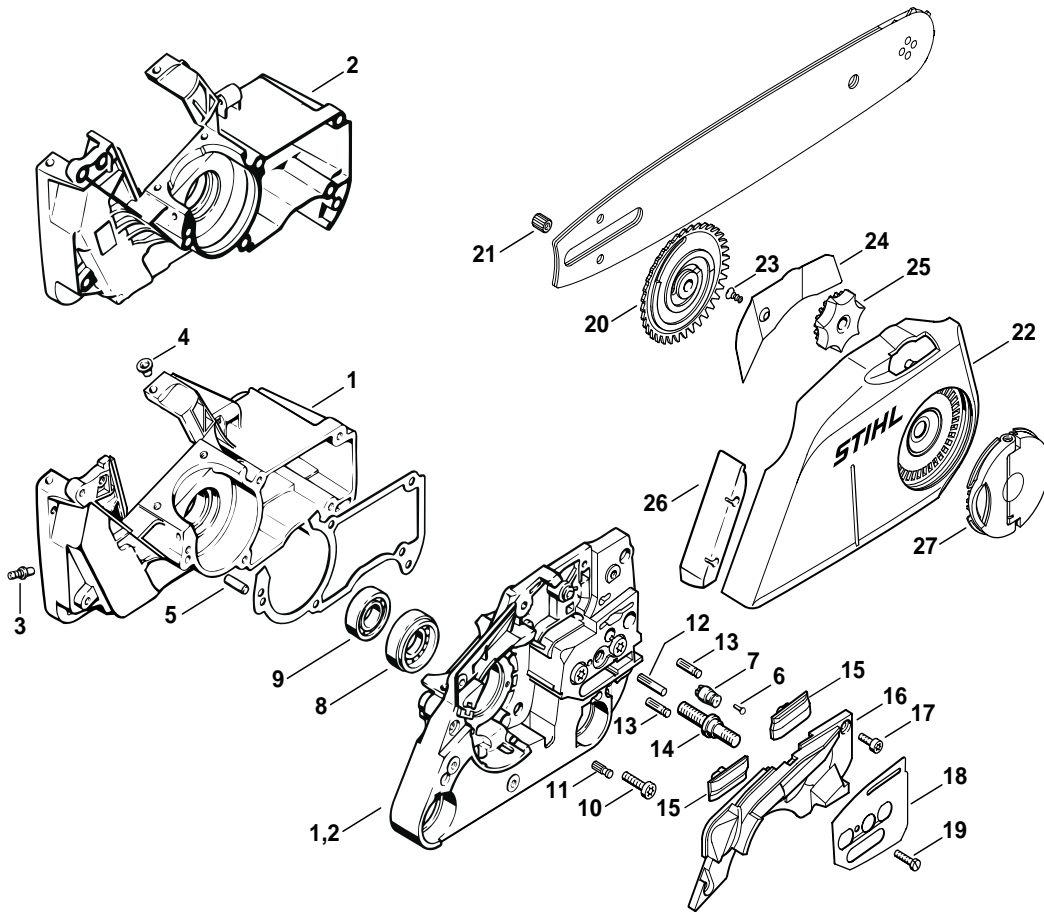
Ref. ID	Part Number	Qty.	Part Name
1	* 1121 162 3205	1	Carrier (31.2000)
2	* 1121 162 3000	3	Retainer (31.2000)
3	* 1121 640 2000	1	Chain sprocket 0.325" 7T → X 25 809 073 (26.92)
4	* 1121 640 2001	1	Chain sprocket 0.325" 8T → X 25 809 073 (26.92)
	* 1121 007 1001	1	Rim sprocket kit 0.325" 7T → X 25 809 073 (26.92) □ 5 - 8
5	* 0000 642 1236	1	Rim sprocket 0.325" 7T → X 25 809 073 (26.92)
6	*	1	Clutch drum (D) → X 25 809 073 (26.92)
7	* 0000 958 1022	1	Washer Ø 27mm → X 25 809 073 (26.92)
8	* 9460 624 0801	1	E-clip 8x1.3 → X 25 809 073 (26.92)
	* 1121 007 1002	1	Rim sprocket kit 0.325" 8T → X 25 809 073 (26.92) □ 6 - 8, 9
9	* 0000 642 1234	1	Rim sprocket 0.325" 8T → X 25 809 073 (26.92)
	* 1121 007 1004	1	Rim sprocket kit 3/8" Picco 7T → X 25 809 073 (26.92) □ 6 - 8, 10
10	* 0000 642 1240	1	Rim sprocket 3/8" Picco 7T → X 25 809 073 (26.92)
	* 1121 007 1005	1	Rim sprocket kit 3/8" Picco 8T → X 25 809 073 (26.92) □ 6 - 8, 11
11	* 0000 642 1241	1	Rim sprocket 3/8" Picco 8T → X 25 809 073 (26.92)
	* 1121 007 1035	1	Rim sprocket kit 3/8" 7T → X 25 809 073 (26.92) □ 6 - 8, 12
12	* 0000 642 1231	1	Rim sprocket 3/8" 7T → X 25 809 073 (26.92)

133ET1062 SC

not for reprint



Ref. ID	Part Number	Qty.	Part Name
1	1121 792 9101	1	Hand guard
2	1121 160 5000	1	Lever
3	1121 162 5010	1	Lever
4	0000 997 0628	1	Spring
5	9460 624 0400	2	E-clip 4
6	1121 160 5400	1	Brake band
7	1121 160 5501	1	Tension spring □ 8
8	1121 162 8000	1	Hose 12x1x20mm
9	1121 021 1102	1	Cover
10	9022 313 0660	2	Spline screw IS M4x12
11	0000 790 6100	1	Screw assy. M4
12	1125 007 1021	1	Spur gear / chain adjusting screw kit □ 13
13	9646 945 0490	1	O-ring 7x1.5
14	1125 640 1900	1	Tensioner slide
15	1125 664 1400	1	Thrust pad
16	1122 664 2200	1	Cover plate
17	9041 216 0630	2	Pan head screw M4x8
18	1122 664 1000	1	Inner side plate
19	1122 664 1001	1	Inner side plate (B)
20	1125 640 1701	1	Chain sprocket cover □ 21, 22
21	1121 648 6610	2	Bumper strip
22	1125 656 1501	1	Guard
23	0000 955 0801	2	Collar nut M8
24	* 1125 656 1500	1	Guard → X 19 384 234 (09.89)
25	* 1125 656 1505	1	Guard → X 19 384 234 (09.89)
26	* 9099 021 1760	1	Self-tapping screw 2.9x9.5 → X 19 384 234 (09.89)

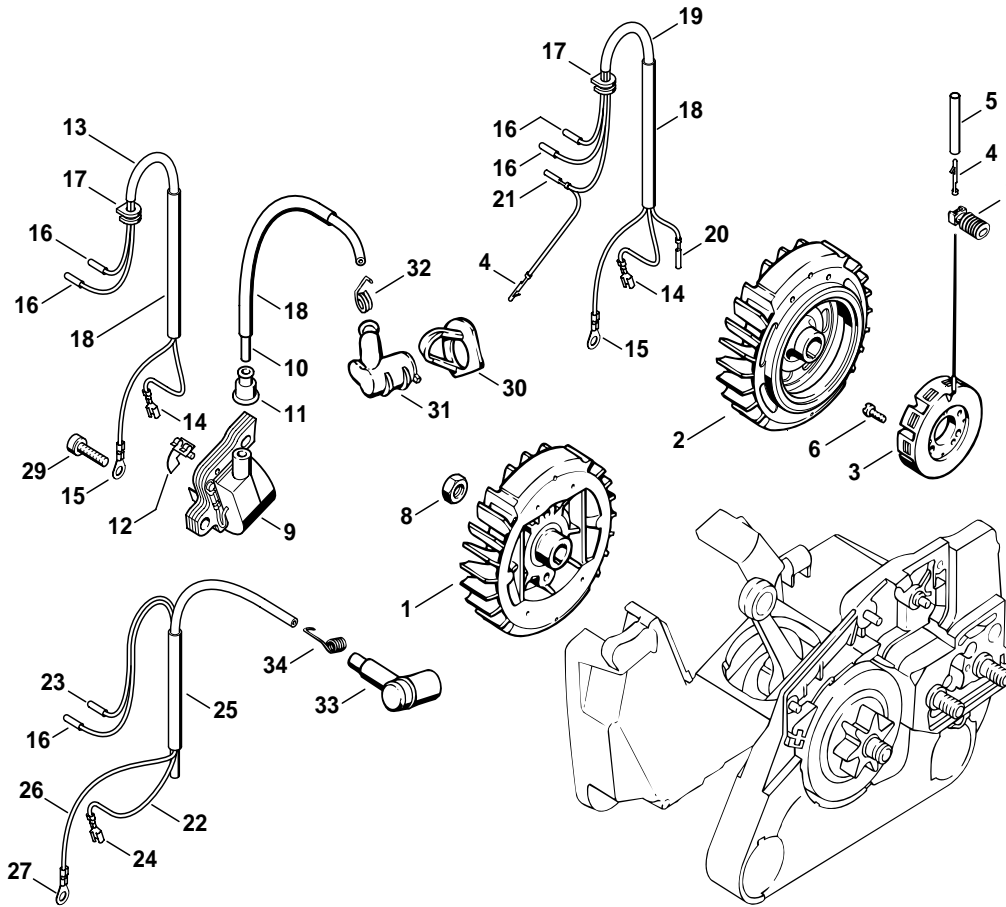


Ref. ID	Part Number	Qty.	Part Name
1	1121 020 2115	1	Crankcase (3)
			□ 3 - 14
2	* 1121 020 2114	1	Crankcase (3) (43.2001)
			□ 3 - 14
3	0000 988 5211	1	Connector (3)
4	9416 868 6531	2	Hollow rivet 6.5x0.5x6.8 (3)
5	9371 470 2610	2	Cylindrical pin 5x18 (3)
6	0000 974 1200	1	Notched pin 2.6x8 (3)
7	1128 640 9100	1	Valve (3)
8	9523 003 4260	1	Grooved ball bearing 15x35x13 (3)
9	9503 003 0320	1	Grooved ball bearing 16002 (3)
10	9022 371 1020	5	Spline screw IS M5x20 (3)
11	1120 162 5200	1	Pin (3)
12	1121 162 5205	1	Pin (3)
13	1121 162 5200	2	Pin (3)
14	0000 664 2405	1	Collar screw M8 (3)
15	1121 648 6610	2	Bumper strip (3)
16	1121 021 1102	1	Cover (3)
17	9022 313 0660	2	Spline screw IS M4x12 (3)
18	1121 664 1000	1	Inner side plate (3)
19	9039 488 0680	1	Self-tapping screw M4x16 (3)
20	1121 660 3000	1	Tensioning gear (3)
			□ 21
21	1121 664 7301	1	Nut M4 (3)
22	1121 640 1700	1	Chain sprocket cover (3)
			□ 23 - 26
23	9076 478 2996	1	Pan head self-tapping screw P4x12 (3)
24	1121 648 3800	1	Cover plate (3)
25	1121 648 2200	1	Adjusting wheel (3)
26	1125 656 1501	1	Guard (3)
27	1121 660 1000	1	Wing nut (3)

133ET068 SC

(1) 026, (2) 026 W, (3) 026 C, (4) 026 PRO, (5) 026 WVH, (6) 026 Arctic

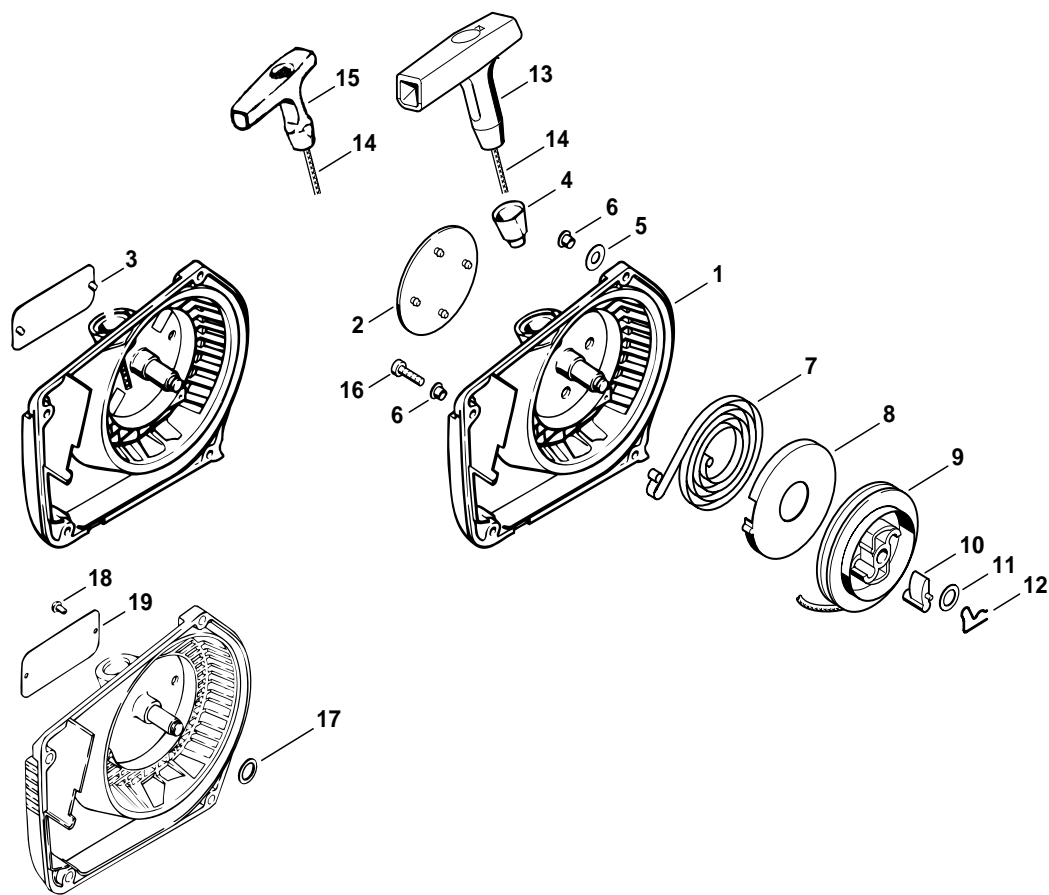




133ET077 SC

Ref. ID	Part Number	Qty.	Part Name
1	1121 400 1200	1	Flywheel (1,3,4)
2	1121 400 1207	1	Flywheel (2,5,6)
3	1118 400 4000	1	Generator (2,5,6) □ 4
4	1118 431 6600	1	Terminal pin (2,5,6)
5	1121 442 0402	1	Insulating hose 35mm / 1.4" (2,5,6)
6	9041 216 0540	3	Pan head screw M3.5x12 (2,5,6)
7	1121 405 1900	1	Support (2,5,6)
8	9210 261 1140	1	Hexagon nut M8x1
9	0000 400 1300	1	Ignition module □ 10 - 12
10		1	Ignition lead 150mm
	0000 405 0600	1	Ignition lead 1m (B)
	0000 930 2251	1	Ignition lead 10m (B)
11	0000 989 1010	1	Grommet
12	0000 448 1250	1	Lead retainer
13	1121 440 3002	1	Wiring harness (1,3,4) □ 14 - 18
14	0751 030 8957	1	Terminal socket 4.8-1/0.8
15	0751 030 8969	1	Terminal socket A5-1.5
16	1110 442 7000	2	Contact sleeve
17	0000 989 0507	1	Grommet
18	1125 442 0402	1	Insulating hose 90mm / 3.5"
19	1121 440 3003	1	Wiring harness (2,5,6) □ 4 , 14 - 18, 20, 21
20	1118 431 6700	1	Terminal socket (2,5,6)
21	0751 030 8373	1	Terminal socket 1-2.5 (2,5,6)
22	* 1121 440 1103	1	Short circuit wire 305mm / 12.1" (43.2001) □ 23, 24
23	* 1119 442 7000	1	Contact sleeve (43.2001)
24	* 0751 030 8953	1	Terminal socket 4.8-1 (43.2001)
25	* 1121 405 8001	1	Insulating hose 90mm / 3.5"
	* 1121 007 1033	1	Ground wire kit (43.2001) □ 16, 25 - 28
26	*	1	Lead 270mm / 10.6" (43.2001)
	* 0751 010 1110	1	Lead 10m / 33' (43.2001)
27	* 0751 030 8961	1	Terminal socket A5-2.5 (43.2001)
29	9022 341 1019	2	Spline screw IS M5x20
30	1121 084 1410	1	Cover
31	1128 405 1000	1	Spark plug boot
32	0000 998 0604	1	Torsion spring
33	* 1106 405 1000	1	Spark plug boot → X 19 830 899 (23.89)
34	* 0000 998 0603	1	Torsion spring → X 19 830 899 (23.89)

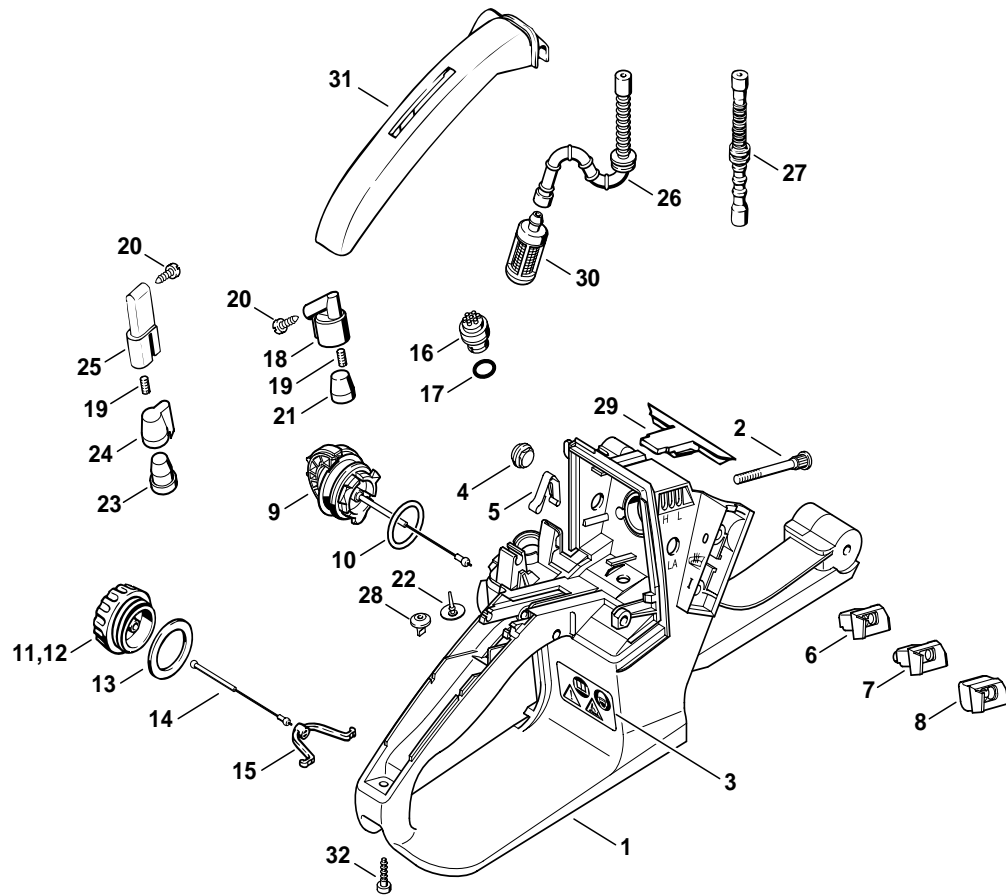
(1) 026, (2) 026 W, (3) 026 C, (4) 026 PRO,  
 (5) 026 WVH, (6) 026 Arctic



Ref. ID	Part Number	Qty.	Part Name
	1121 080 2101	1	Fan housing with rewind starter □ 1, 2, 4 - 14
1	1121 080 1812	1	Fan housing □ 2, 4 - 6
2	0000 967 1500	1	Nameplate STIHL
3	* 0000 967 2035	1	Nameplate (43.2001)
4	1110 084 9102	1	Bushing
5	0000 958 0514	1	Washer
6	9416 868 5630	4	Hollow rivet 5.5x0.5x6.8
7	1118 190 0600	1	Rewind spring
8	1118 195 0300	1	Spring housing
9	1125 195 0401	1	Rope rotor
10	1125 195 7200	1	Pawl
11	0000 958 0923	1	Washer
12	1118 195 3500	1	Spring
13	0000 190 3401	1	Starter grip ElastoStart □ 14
14	1113 195 8200	1	Starter rope Ø 3.5x960mm
	0000 930 2203	1	Starter rope Ø 3.5mm x 30.5m (B)
15	1121 195 3400	1	Starter grip
16	9022 313 0680	3	Spline screw IS M4x16
17	* 0000 958 0806	1	Washer → X 23 082 544 (18.91)
18	* 0000 974 1000	2	Round head rivet 3x6 (05.93)
19	* 0000 967 2020	1	Nameplate STIHL (05.93)

133ET070 SC

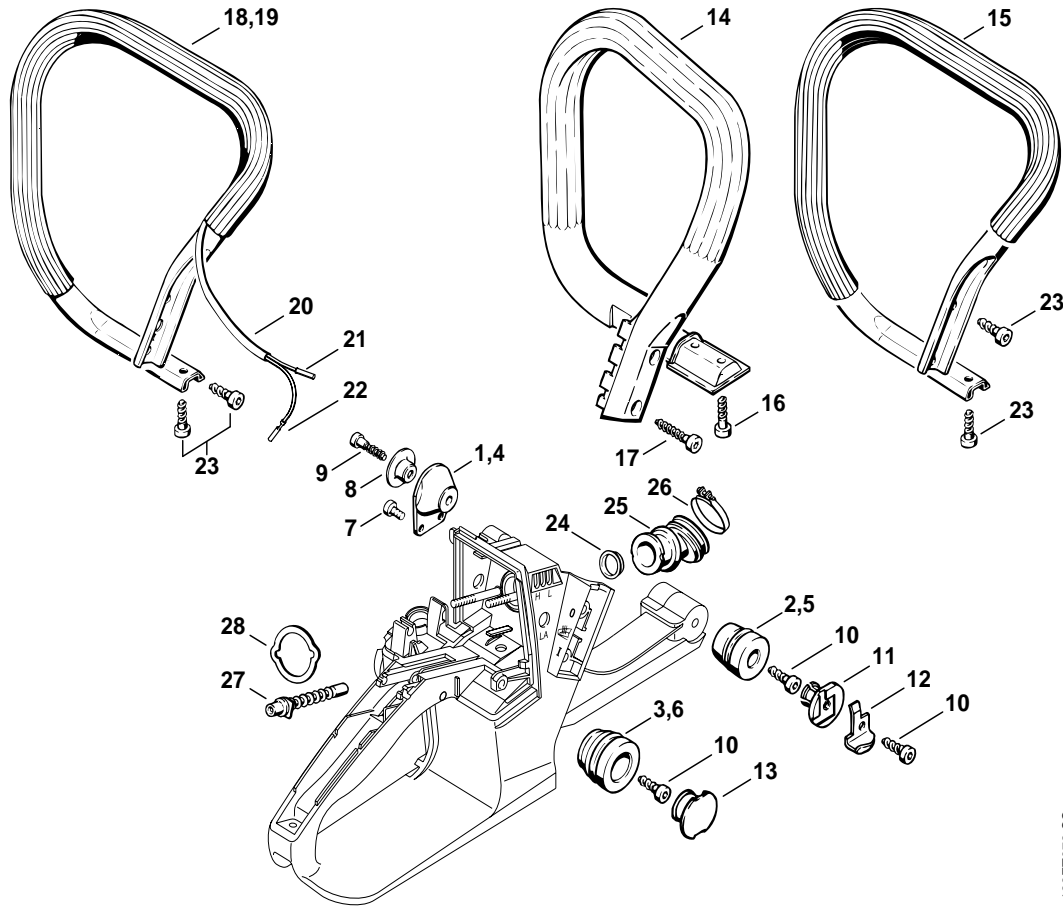
not for reprint



133ET071 SC

Ref. ID	Part Number	Qty.	Part Name
1	1121 350 0829	1	Tank housing □ 2 - 12, 21
2	1121 122 6600	2	Collar screw
3	0000 967 3662	1	Instruction label
4	1121 791 2800	1	Stop buffer
5	1125 442 1601	1	Contact spring
6	1121 123 7501	1	Grommet (1,2,3,5)
7	1121 123 7502	1	Grommet USA (4)
8	1121 123 7504	1	Grommet CDN (6)
9	0000 350 0525	1	Filler cap □ 10
10	9645 948 7734	1	O-ring 25x3.5
11	* 0000 350 0520	1	Filler cap (43.2001) □ 13 - 15
12	* 0000 350 0521	1	Filler cap Cat. (43.2001) □ 13 - 15
13	* 0000 359 1220	1	Sealing ring (43.2001)
14	* 0000 350 0900	1	Rope (43.2001)
15	* 0000 353 0600	1	Hook (43.2001)
16	0000 350 5800	1	Tank vent (43.2001) □ 17
17	9645 948 7512	1	O-ring 10x2
18	* 1121 350 5802	1	Tank vent (43.2001) □ 19, 20
19	* 1120 358 8105	1	Vent insert (43.2001)
20	* 9099 021 2770	1	Self-tapping screw 3.9x13 (43.2001)
21	* 1122 358 1800	1	Filter (43.2001)
22	* 1110 353 1600	1	Valve (43.2001)
23	* 1121 358 1800	1	Filter → 1 47 088 866, 2 46 606 072 (31.2000)
24	* 1121 358 2500	1	Cap → 1 47 088 866, 2 46 606 072 (31.2000)
25	* 1121 350 5800	1	Tank vent → X 30 976 774 (06.95) □ 19, 20
26	1121 358 7700	1	Hose
27	* 1121 358 7705	1	Hose → X 36 453 619 (18.97)
28	* 4114 353 1600	1	Valve → X 36 453 619 (18.97)
29	* 1121 791 7500	1	Cover (1,3,4) → X 36 453 619 (18.97)
30	0000 350 3504	1	Pickup body
31	1121 791 0600	1	Handle molding
32	9074 478 3076	1	Pan head self-tapping screw IS P4x19

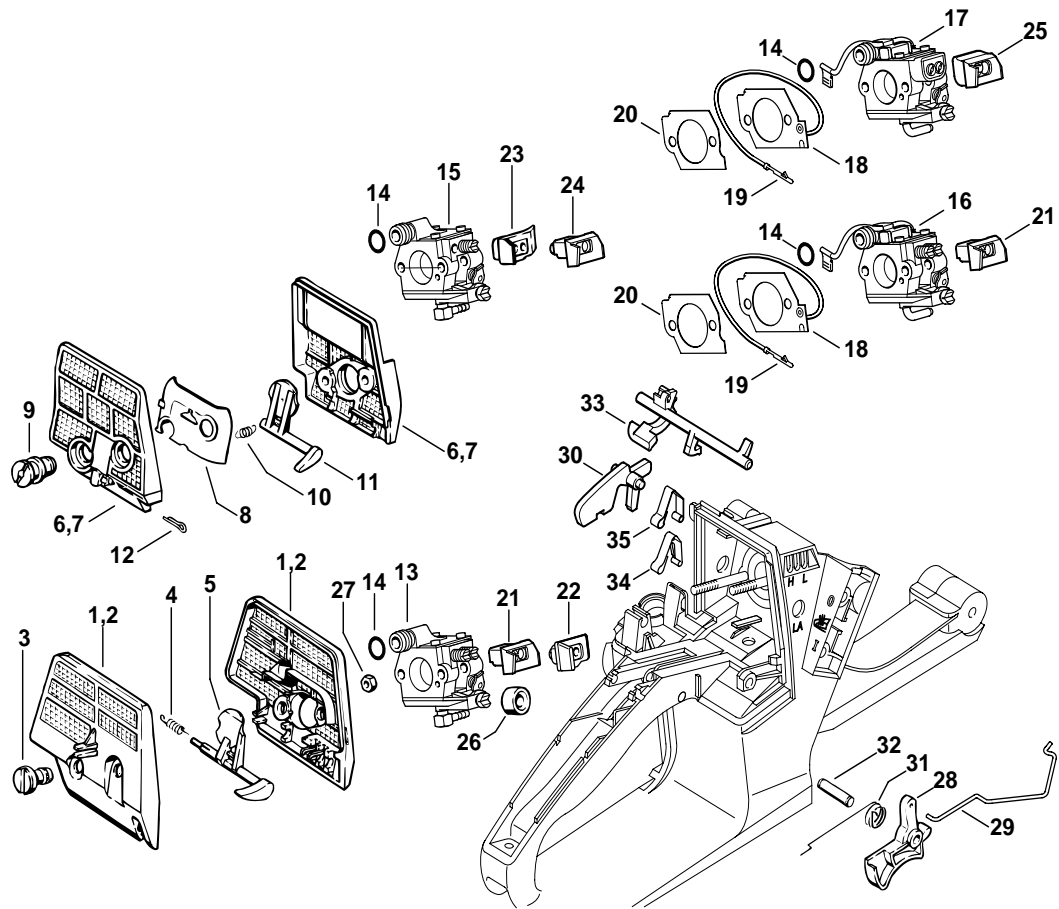
(1) 026, (2) 026 W, (3) 026 C, (4) 026 PRO,  
(5) 026 WVH, (6) 026 Arctic



133ET072 SC

Ref. ID	Part Number	Qty.	Part Name
AV system normal:			
1	1121 790 9901	1	Annular buffer
2	1121 790 9912	1	Annular buffer
3	1121 790 9909	1	Annular buffer
AV system soft:			
4	1121 790 9902	1	Annular buffer
5	1121 790 9903	1	Annular buffer
6	1121 790 9904	1	Annular buffer
7	9022 341 0960	2	Spline screw IS M5x12
8	1121 791 7202	1	Sleeve
9	9074 478 4545	1	Pan head self-tapping screw IS P6x26.5
10	9074 478 4435	3	Pan head self-tapping screw IS P6x19
11	1119 791 7305	1	Plug
12	1119 656 7705	1	Chain catcher
13	1125 791 7306	1	Plug
14	1121 790 1701	1	Handlebar USA, CDN, AUS, NZ (1,3,4) □ 16, 17
15	* 0000 791 2009	1	Handle hose Ø 19mm x 5m / 3/4x197" USA, CDN, AUS, NZ (1,3,4) → X 26 677 245 (05.93)
16	9074 478 4475	2	Pan head self-tapping screw IS P6x21.5 USA, CDN, AUS, NZ (1,3,4)
17	9074 478 4675	2	Pan head self-tapping screw IS P6x32.5 USA, CDN, AUS, NZ (1,3,4)
18	1121 790 1714	1	Handlebar (2,5,6) □ 19 - 21
19	* 1121 790 1712	1	Handlebar (2,5,6) → X 33 339 217 (12.96) □ 19 - 21
20	1121 442 0403	1	Insulating hose 130mm / 5.1" (2,5,6)
21	1110 442 7000	1	Contact sleeve (2,5,6)
22	1118 431 6700	1	Terminal socket (2,5,6)
23	9074 478 4435	4	Pan head self-tapping screw IS P6x19 (2,5,6)
24	1113 141 1805	1	Sleeve
25	1121 141 2200	1	Manifold
26	9771 021 2550	1	Hose clip Ø 32x5
27	1113 141 8600	1	Impulse hose
28	1121 121 8600	1	Washer

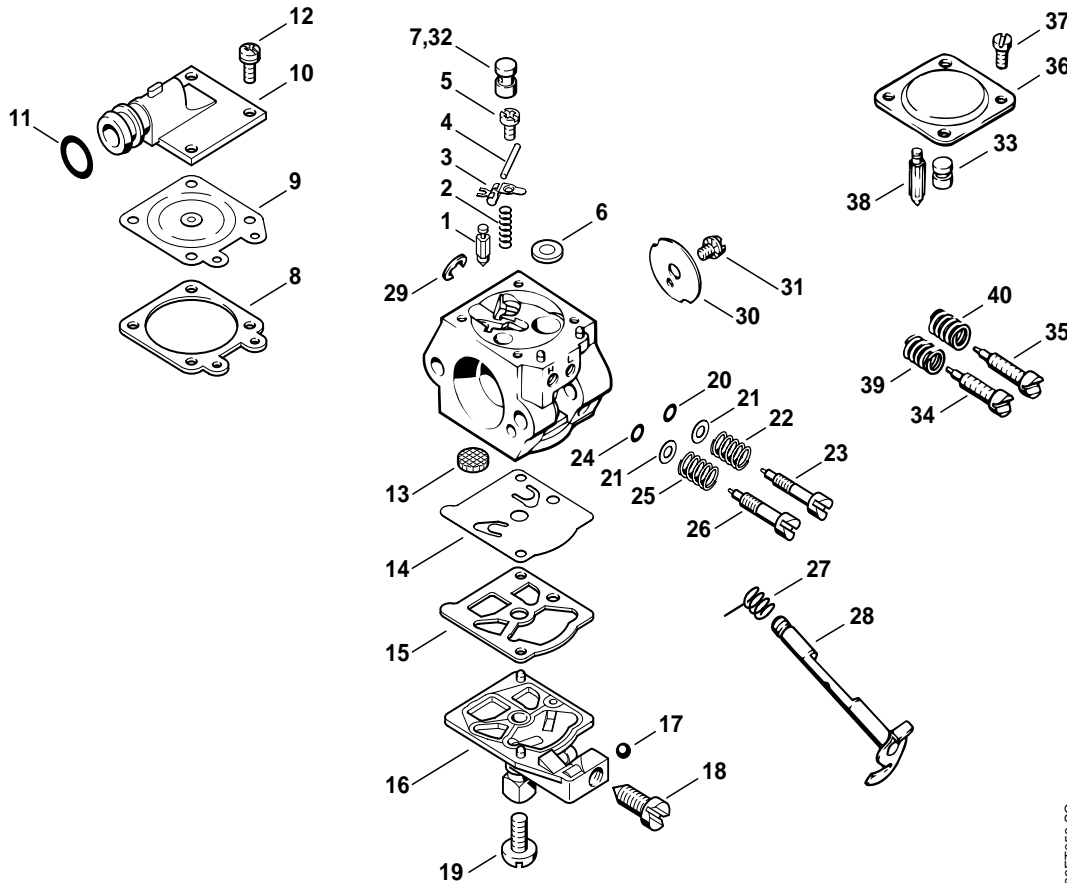
(1) 026, (2) 026 W, (3) 026 C, (4) 026 PRO,  
(5) 026 WVH, (6) 026 Arctic



133ET073 SC

Ref. ID	Part Number	Qty.	Part Name
1	1121 120 1617	1	Air filter (1,2,3,5,6) □ 3 - 5
2	1121 120 1618	1	Air filter, fleece (4) □ 3 - 5
3	1124 141 8300	2	Slotted nut
4	1121 124 3000	1	Torsion spring
5	1121 121 2905	1	Choke shutter
6	* 1121 120 1611	1	Air filter, wire mesh (1,2,3,5,6) ➔ X 32 252 038 (31.95) □ 8 - 12
7	* 1121 120 1612	1	Air filter, fleece (4) ➔ X 32 252 038 (31.95) □ 8 - 12
8	* 1121 121 7001	1	Baffle ➔ X 32 252 038 (31.95)
9	* 1121 141 8300	2	Slotted nut ➔ X 32 252 038 (31.95)
10	* 0000 997 5505	1	Tension spring ➔ X 32 252 038 (31.95)
11	* 1121 121 2900	1	Choke shutter ➔ X 32 252 038 (31.95)
12	* 9395 825 1090	1	Split pin 2x10 ➔ X 32 252 038 (31.95)
13	1121 120 0650	1	Carburetor WT-426 CDN (1,2,3) □ 14
14	9645 945 7485	1	O-ring 8x2.5
15	1121 120 0610	1	Carburetor WT-403A USA (4)
16	1121 120 0612	1	Carburetor WT-427 (5)
17	1121 120 0616	1	Carburetor WT-590 (6)
18	1128 434 5101	1	Heating element (2,5,6)
19	1118 431 6600	1	Terminal pin (2,5,6)
20	1125 121 9900	1	Heater plate (2,5,6)
21	1121 123 7501	1	Grommet (1,2,3,5)
22	* 1118 123 7500	1	Grommet (1,2,3,5) ➔ 1 48 731 425 (13.2001)
23	1121 123 7502	1	Grommet USA (4)
24	* 1121 123 7500	1	Grommet USA (4) ➔ 1 48 731 425 (13.2001)
25	1121 123 7504	1	Grommet CDN (6)
26	1121 122 7000	1	Grommet
27	9210 260 0700	2	Hexagon nut M5
28	1118 182 1006	1	Throttle trigger
29	1121 182 1501	1	Throttle rod
30	1117 182 0805	1	Trigger interlock
31	1117 182 4500	1	Torsion spring
32	9371 470 2640	1	Cylindrical pin 5x24
33	1125 182 0901	1	Switch shaft
34	1125 442 1601	1	Contact spring
35	* 1125 442 1600	1	Contact spring ➔ 1 48 731 425 (13.2001)

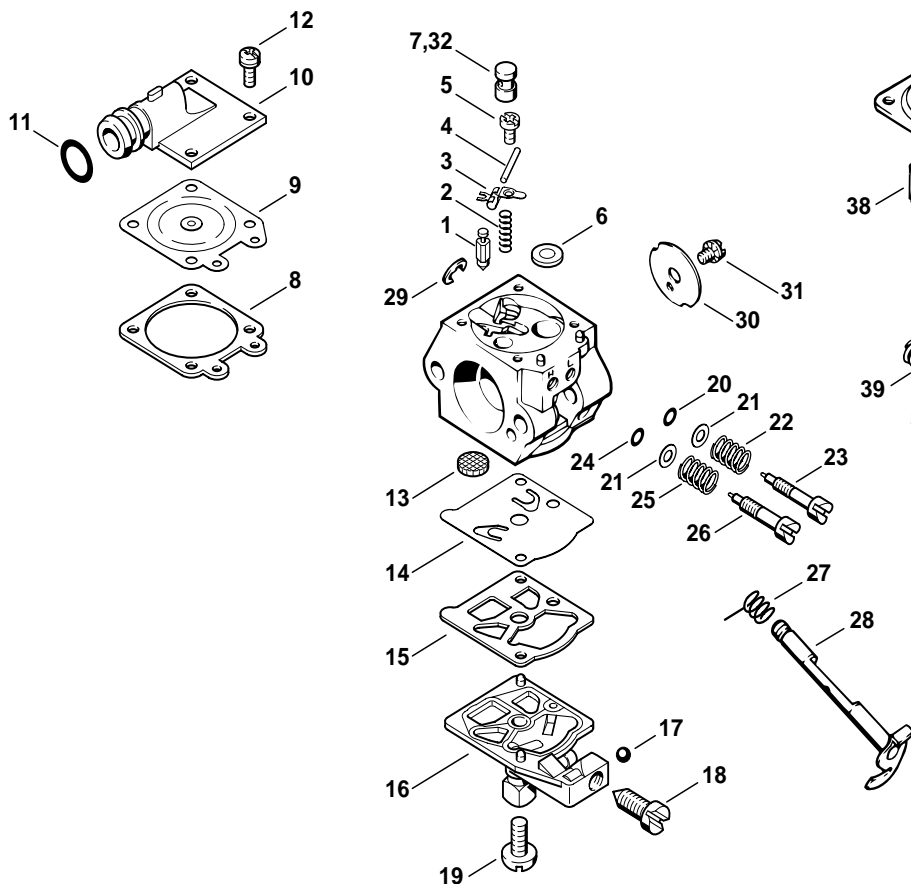
(1) 026, (2) 026 W, (3) 026 C, (4) 026 PRO,  
(5) 026 WVH, (6) 026 Arctic



133ET058 SC

Ref. ID	Part Number	Qty.	Part Name
	1121 120 0650	1	Carburetor WT-426 CDN (1,2,3) □ 1 - 31, 36, 37
1	4116 121 5100	1	Inlet needle CDN (1,2,3)
2	1114 122 3005	1	Spring CDN (1,2,3)
3	1113 121 5000	1	Inlet control lever CDN (1,2,3)
4	1113 121 9200	1	Spindle CDN (1,2,3)
5	1114 122 7400	1	Round head screw CDN (1,2,3)
6	4117 122 9402	1	Plug CDN (1,2,3)
7	1121 121 5400	1	Valve jet 0.48 CDN (1,2,3)
8	1120 129 0900	1	Gasket CDN (1,2,3)
9	1113 121 4705	1	Metering diaphragm CDN (1,2,3)
10	1121 121 0810	1	End cover CDN (1,2,3)
11	9645 945 7485	1	O-ring 8x2.5 CDN (1,2,3)
12	1121 122 7101	4	Screw CDN (1,2,3)
13	1114 121 7800	1	Strainer CDN (1,2,3)
14	1121 121 4801	1	Pump diaphragm CDN (1,2,3)
15	1120 129 0905	1	Gasket CDN (1,2,3)
16	1121 121 0805	1	End cover CDN (1,2,3) □ 17, 18
17	1121 122 4200	1	Ball CDN (1,2,3)
18	1121 122 6205	1	Idle speed adjustment screw CDN (1,2,3)
19	1114 122 7100	1	Screw CDN (1,2,3)
20	4124 122 3600	1	Sealing ring CDN (1,2,3)
21	4130 121 8601	2	Washer CDN (1,2,3)
22	1115 122 3002	1	Spring CDN (1,2,3)
23	1121 122 6802	1	Low speed adjustment screw CDN (1,2,3)
24	4130 122 3600	1	Sealing ring CDN (1,2,3)
25	4117 122 3007	1	Spring CDN (1,2,3)
26	1121 122 6700	1	High speed adjustment screw CDN (1,2,3)
27	1113 122 3205	1	Torsion spring CDN (1,2,3)
28	1121 120 7105	1	Throttle shaft with lever CDN (1,2,3)
29	1117 122 9000	1	E-clip CDN (1,2,3)
30	1121 121 3301	1	Throttle shutter CDN (1,2,3)

(1) 026, (2) 026 W, (3) 026 C, (4) 026 PRO,  
(5) 026 WVH, (6) 026 Arctic

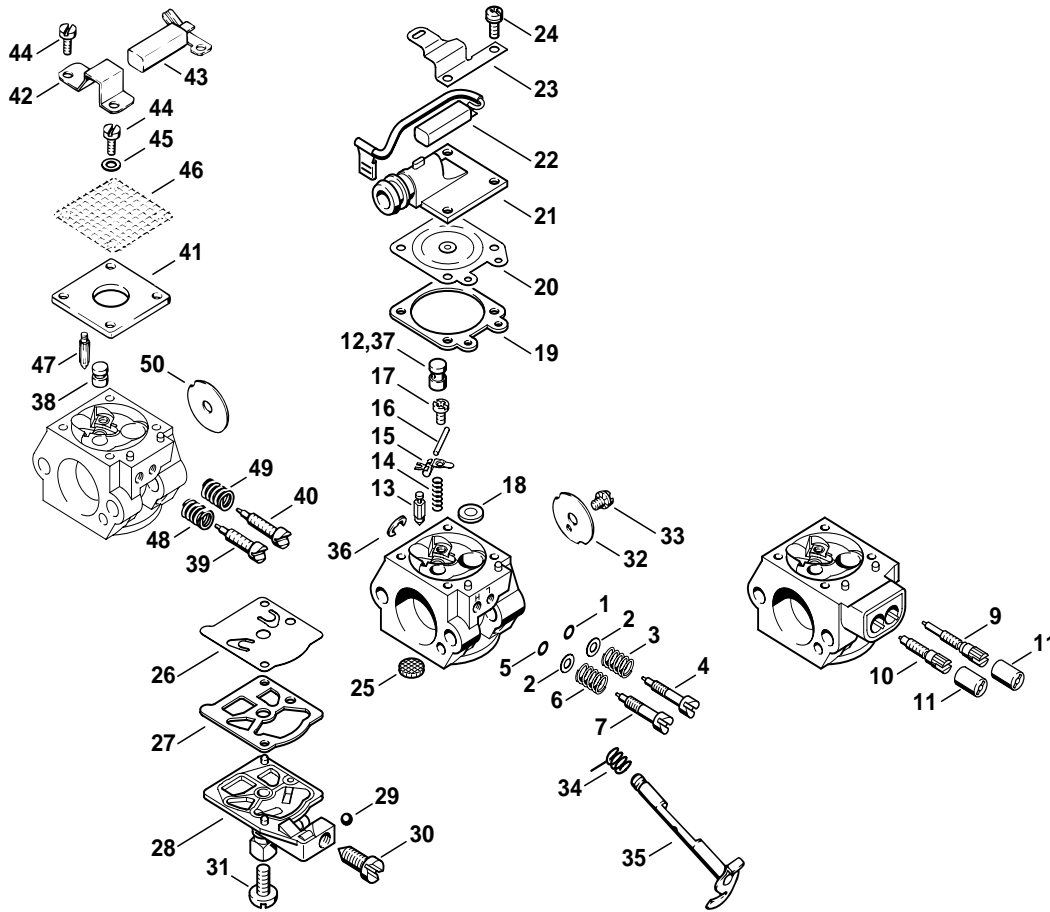


Ref. ID	Part Number	Qty.	Part Name
31	1110 122 7400	1	Round head screw CDN (1,2,3)
32	1121 121 5601	1	Fixed jet 0.46 High altitude (B) (1,2,3)
	1121 007 1062	1	Set of carburetor parts CDN (1,2,3) □ 1 - 3, 8, 9, 13 -15
33	* 1120 121 5405	1	Valve jet CDN (1,2,3) → X 36 348 619 (18.97)
34	* 1118 122 6700	1	High speed adjustment screw CDN (1,2,3) → X 36 348 619 (18.97)
35	* 1120 122 6805	1	Low speed adjustment screw CDN (1,2,3) → X 36 348 619 (18.97)
36	* 1113 121 0800	1	End cover CDN (1,2,3) → X 32 252 038 (31.95)
37	* 1106 122 7400	1	Round head screw CDN (1,2,3) → X 32 252 038 (31.95)
	* 1118 007 1066	1	Set of carburetor parts CDN (1,2,3) → X 32 252 038 (31.95) □ 8, 9, 13 --15, 38
38	* 1110 121 5100	1	Inlet needle (1,2) → X 23 545 784 (18.91)
39	* 1110 122 3030	1	Spring (1,2) → X 23 545 784 (18.91)
40	* 1106 122 3000	1	Spring (1,2) → X 23 545 784 (18.91)

(1) 026, (2) 026 W, (3) 026 C, (4) 026 PRO, (5) 026 WVH, (6) 026 Arctic

133ET058 SC

not for reprint

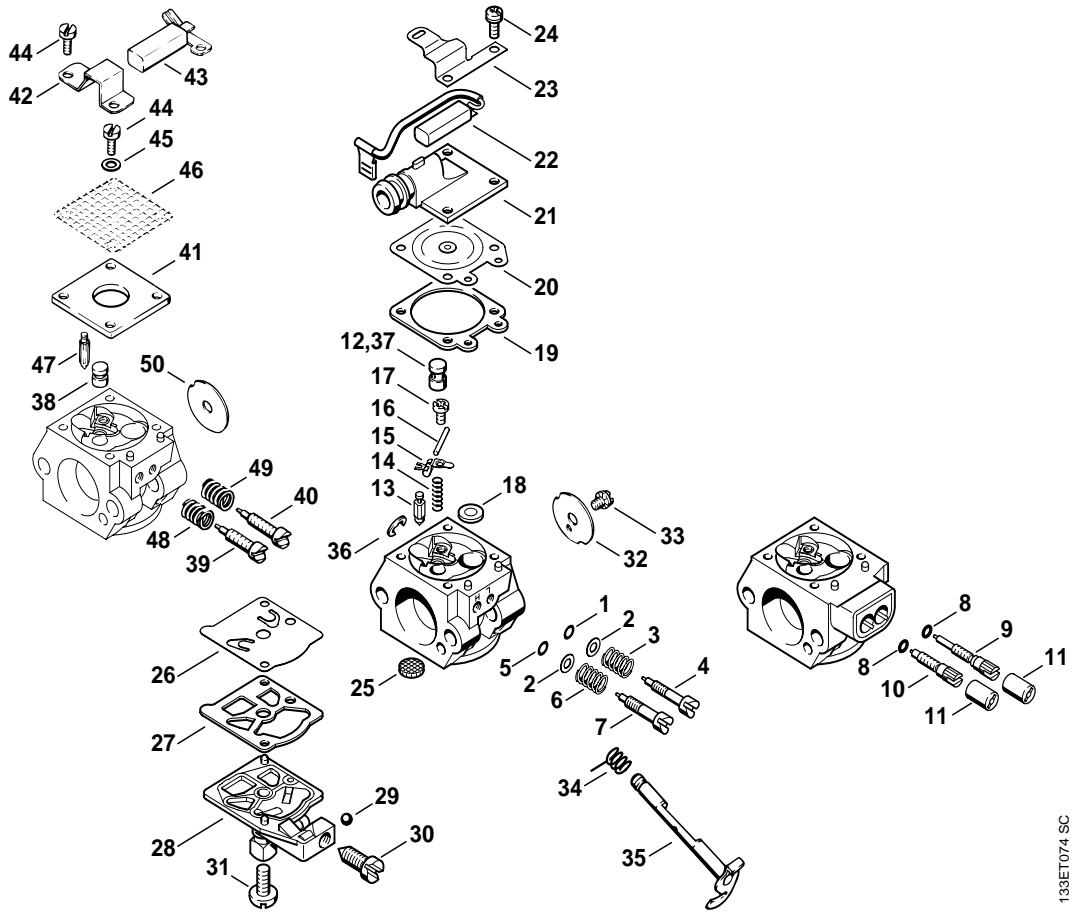


Ref. ID	Part Number	Qty.	Part Name
	1121 120 0612	1	Carburetor WT-427 (5) □ 1 - 7, 11 - 36
1	4124 122 3600	1	Sealing ring (5)
2	4130 121 8601	2	Washer (5)
3	1115 122 3002	1	Spring (5)
4	1121 122 6802	1	Low speed adjustment screw (5)
5	4130 122 3600	1	Sealing ring (5)
6	1115 122 3002	1	Spring (5)
7	1121 122 6700	1	High speed adjustment screw (5)
	1121 120 0616	1	Carburetor WT-590 (6) □ 9 - 36
9	1121 122 6804	1	Low speed adjustment screw (6)
10	1121 122 6702	1	High speed adjustment screw (6)
11	4203 121 2700	2	Cap (5,6)
12	1121 121 5400	1	Valve jet 0.48 (5,6)
13	4116 121 5100	1	Inlet needle (5,6)
14	1114 122 3005	1	Spring (5,6)
15	1113 121 5000	1	Inlet control lever (5,6)
16	1113 121 9200	1	Spindle (5,6) □ 18, 19
17	1114 122 7400	1	Round head screw (5,6)
18	4117 122 9402	1	Plug (5,6)
19	1120 129 0900	1	Gasket (5,6)
20	1113 121 4705	1	Metering diaphragm (5,6)
21	1121 121 0810	1	End cover (5,6)
22	1125 430 0500	1	Switch (5,6)
23	1121 122 4605	1	Support (5,6)
24	1121 122 7101	4	Screw (5,6)
25	1114 121 7800	1	Strainer (5,6)
26	1121 121 4801	1	Pump diaphragm (5,6)
27	1120 129 0905	1	Gasket (5,6)
28	1121 121 0805	1	End cover (5,6)
29	1121 122 4200	1	Ball (5,6)

133ET078 SC

(1) 026, (2) 026 W, (3) 026 C, (4) 026 PRO,  
(5) 026 WVH, (6) 026 Arctic



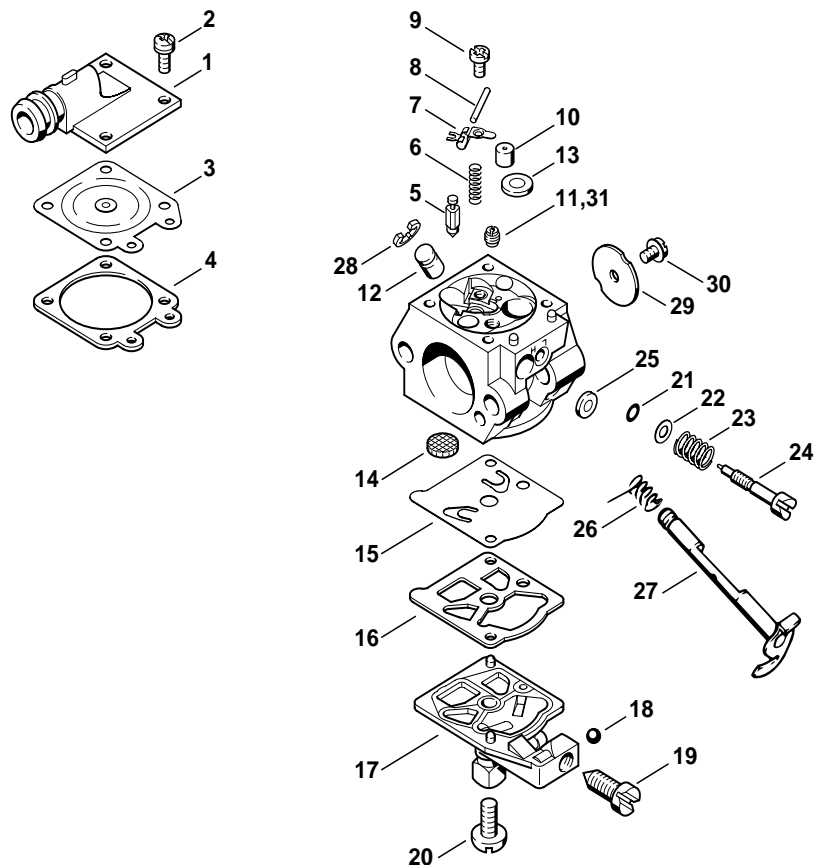


Ref. ID	Part Number	Qty.	Part Name
30	1121 122 6205	1	Idle speed adjustment screw (5,6)
31	1114 122 7100	1	Screw (5,6)
32	1121 121 3301	1	Throttle shutter (5,6)
33	1110 122 7400	1	Round head screw (5,6)
34	1113 122 3205	1	Torsion spring (5,6)
35	1121 120 7105	1	Throttle shaft with lever (5,6)
36	1117 122 9000	1	E-clip (5,6)
37	1121 121 5601	1	Fixed jet 0.46 High altitude (B) (5,6)
	1121 007 1062	1	Set of carburetor parts (5,6) □ 13 - 15, 19, 20, 25 - 27
38	* 1120 121 5405	1	Valve jet (5,6) → X 36 453 659 (18.97)
39	* 1118 122 6700	1	High speed adjustment screw (5,6) → X 36 453 659 (18.97)
40	* 1120 122 6805	1	Low speed adjustment screw (5,6) → X 36 453 659 (18.97)
41	* 1121 121 0806	1	End cover (5,6) → X 33 339 217 (12.96)
42	* 1121 122 4600	1	Support (5,6) → X 33 339 217 (12.96)
43	* 1121 430 0501	1	Switch (5,6) → X 33 339 217 (12.96)
44	* 1106 122 7400	4	Round head screw (5,6) → X 33 339 217 (12.96)
45	* 1121 121 8605	1	Washer (5,6) → X 33 339 217 (12.96)
46	* 1121 121 7805	1	Strainer (5,6) → X 33 339 217 (12.96)
47	* 1110 121 5100	1	Inlet needle (5) → X 23 545 784 (18.91)
48	* 1110 122 3030	1	Spring (5) → X 23 545 784 (18.91)
49	* 1106 122 3000	1	Spring (5) → X 23 545 784 (18.91)
50	* 1121 121 3300	1	Throttle shutter (5) → X 23 545 784 (18.91)

133ET074 SC

not for reprint

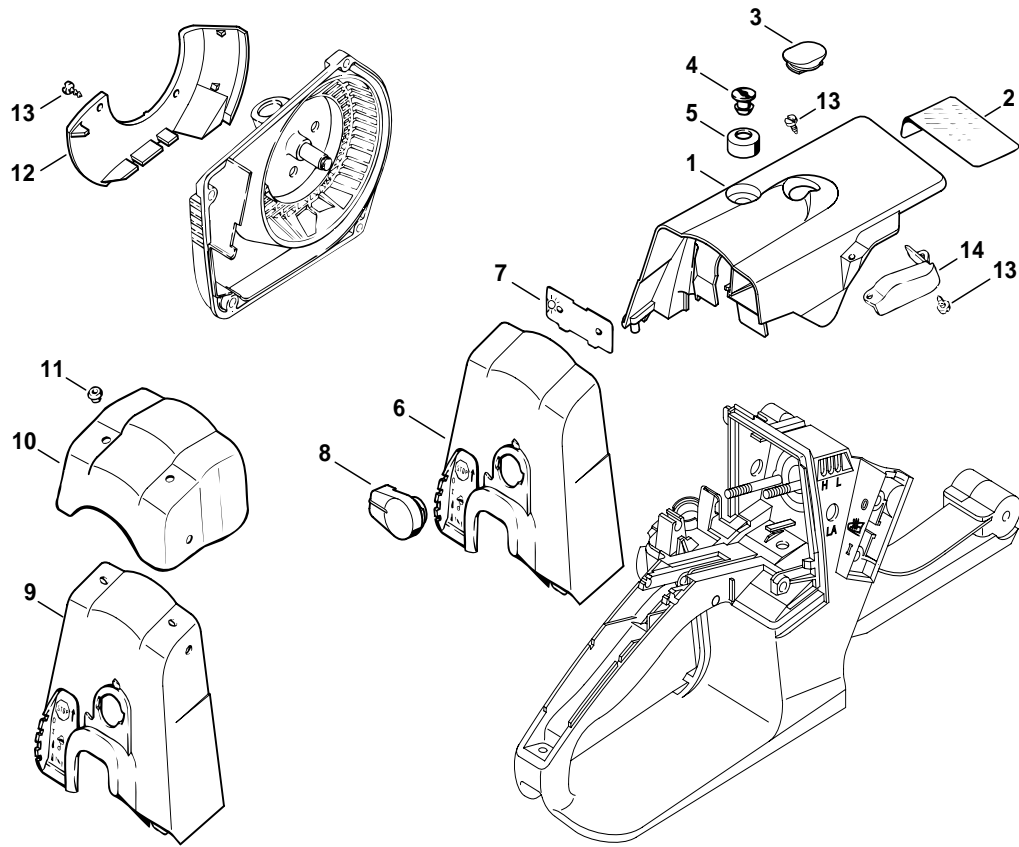
(1) 026, (2) 026 W, (3) 026 C, (4) 026 PRO,  
(5) 026 WVH, (6) 026 Arctic



172ET010 SC

Ref. ID	Part Number	Qty.	Part Name
	1121 120 0610	1	Carburetor WT-403A USA (4) □ 1 - 30
1	1121 121 0810	1	End cover USA (4)
2	1121 122 7101	4	Screw USA (4)
3	1113 121 4705	1	Metering diaphragm USA (4)
4	1120 129 0900	1	Gasket USA (4)
5	4116 121 5100	1	Inlet needle USA (4)
6	1114 122 3005	1	Spring USA (4)
7	1113 121 5000	1	Inlet control lever USA (4)
8	1113 121 9200	1	Spindle USA (4)
9	1114 122 7400	1	Round head screw USA (4)
10	4133 120 8600	1	Non-return valve USA (4)
11	1120 121 5600	1	Fixed jet 0.56 USA (4)
12	1115 121 5401	1	Valve jet USA (4)
13	4117 122 9402	1	Plug USA (4)
14	1114 121 7800	1	Strainer USA (4)
15	1121 121 4801	1	Pump diaphragm USA (4)
16	1120 129 0905	1	Gasket USA (4)
17	1121 121 0805	1	End cover USA (4) □ 18, 19
18	1121 122 4200	1	Ball USA (4)
19	1121 122 6205	1	Idle speed adjustment screw USA (4)
20	1114 122 7100	1	Screw USA (4)
21	4124 122 3600	1	Sealing ring USA (4)
22	1111 121 8605	1	Washer USA (4)
23	1115 122 3002	1	Spring USA (4)
24	1121 122 6803	1	Low speed adjustment screw USA (4)
25	1121 122 9400	1	Plug USA (4)
26	1113 122 3205	1	Torsion spring USA (4)
27	1121 120 7105	1	Throttle shaft with lever USA (4)
28	1117 122 9000	1	E-clip USA (4)
29	1123 121 3301	1	Throttle shutter USA (4)
30	1110 122 7400	1	Round head screw USA (4)
31	1121 121 5602	1	Fixed jet 0.52 High altitude (B) (4)
	1121 007 1062	1	Set of carburetor parts USA (4) □ 3 - 7, 14 - 16

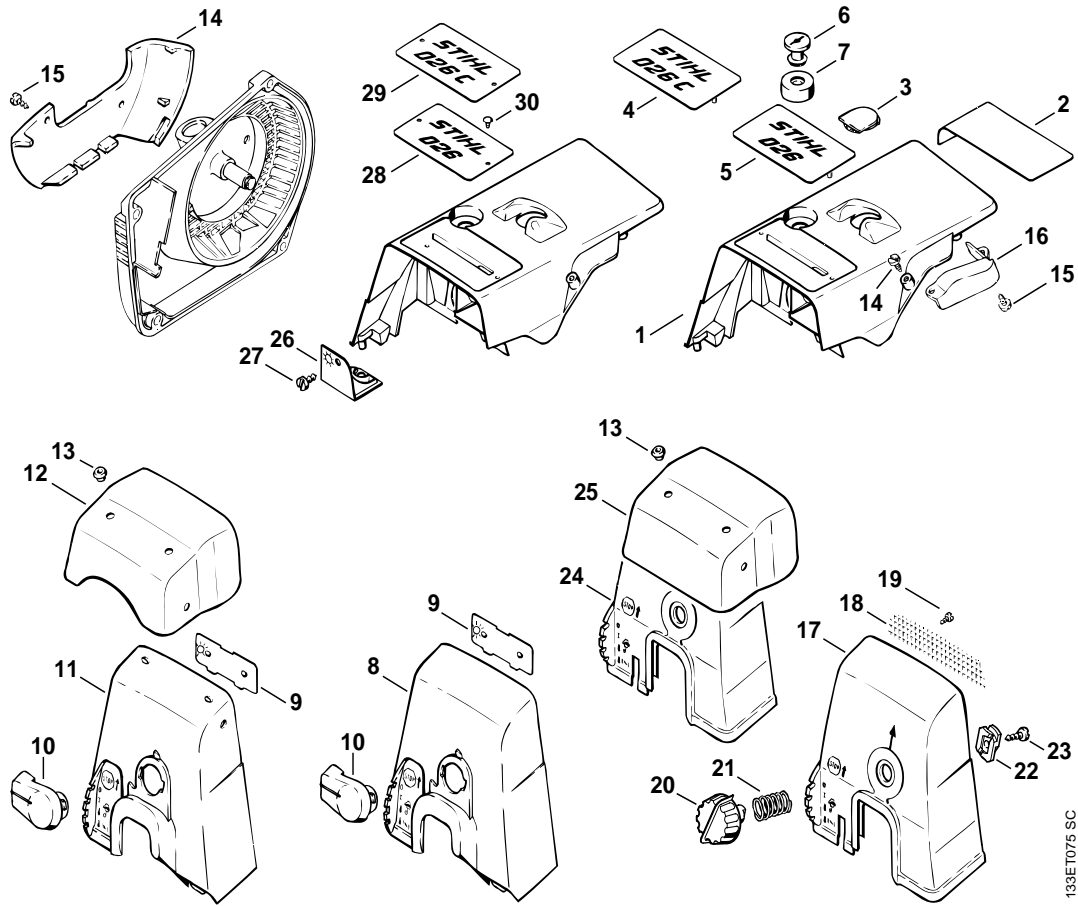
(1) 026, (2) 026 W, (3) 026 C, (4) 026 PRO,  
(5) 026 WVH, (6) 026 Arctic



Ref. ID	Part Number	Qty.	Part Name
1	1121 080 1605	1	Shroud □ 2, 3
2	1119 084 8300	1	Reflector foil
3	1121 084 7101	1	Cap
4	1121 084 7000	1	Slotted nut
5	1121 084 6901	1	Insulator
6	1121 140 1915	1	Carburetor box cover □ 7, 8
7	1121 141 2900	1	Cover
8	1130 141 2300	1	Twist lock
	1121 007 1014	1	Intake air preheating kit (B) □ 7 - 14
9	1121 140 1916	1	Carburetor box cover (B) □ 7, 8, 10, 10, 11
10	1121 141 2502	1	Cover (B)
11	9438 929 4040	4	Blind rivet 5x8 (B)
12	1121 084 8202	1	Cover plate (B)
13	9099 021 2360	4	Self-tapping screw 3.5x9.5 (B)
14	1121 084 1700	1	Air guide (B)

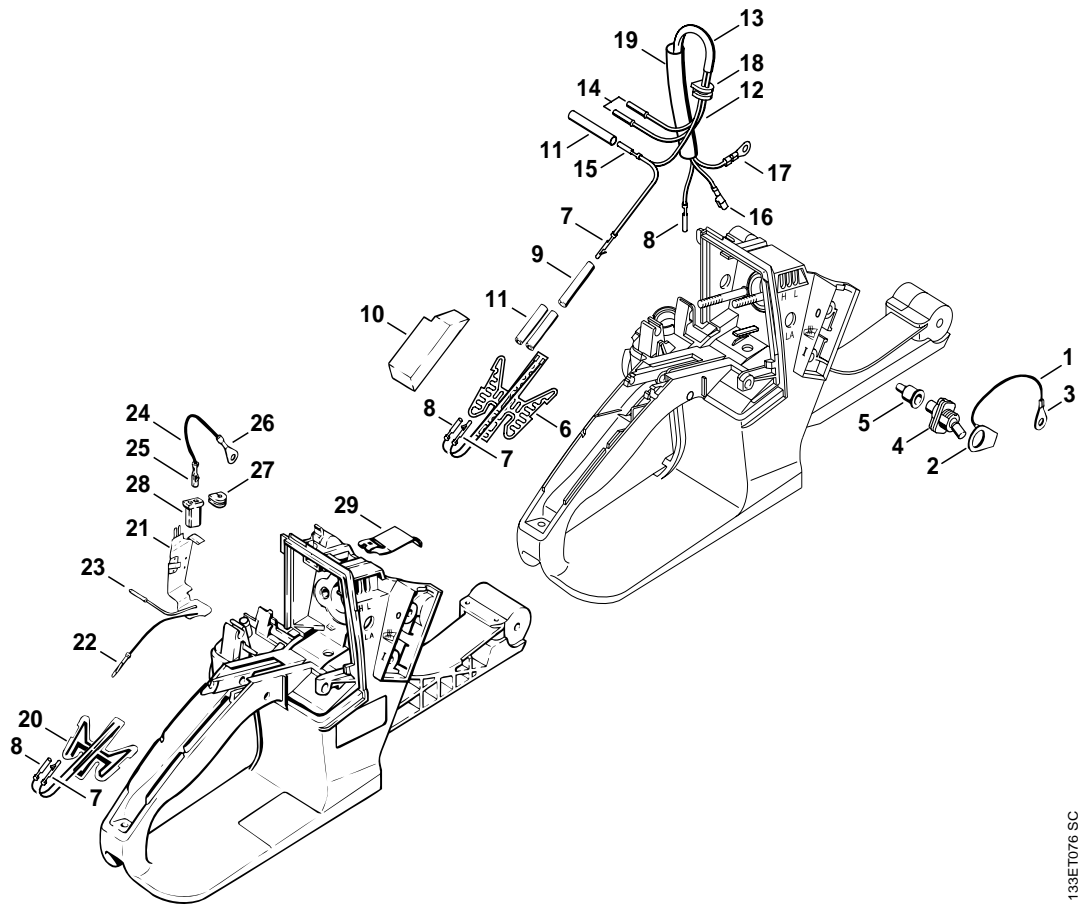
172ET011 SC

not for reprint



Ref. ID	Part Number	Qty.	Part Name
1	* 1121 080 1609	1	Shroud (43.2001) □ 2, 3
2	* 1119 084 8300	1	Reflector foil (43.2001)
3	* 1122 084 7100	1	Cap (43.2001)
4	* 1121 967 1513	1	Model plate 026 C (43.2001)
5	* 1121 967 1512	1	Model plate 026 (43.2001)
6	* 1121 084 7000	1	Slotted nut (43.2001)
7	* 1121 084 6900	1	Insulator (43.2001)
8	* 1121 140 1904	1	Carburetor box cover (43.2001) □ 9, 10
9	* 1121 141 2900	1	Cover (43.2001)
10	* 1130 141 2300	1	Twist lock (43.2001)
	* 1121 007 1044	1	Intake air preheating kit (B) (43.2001) □ 9 - 16
11	* 1121 140 1907	1	Carburetor box cover (B) (43.2001) □ 9, 10, 12, 13
12	* 1121 141 2505	1	Cover (B) (43.2001)
13	* 9438 929 4040	4	Blind rivet 5x8 (B) (43.2001)
14	* 1121 084 8201	1	Cover plate (B) (43.2001)
15	* 9099 021 2360	4	Self-tapping screw 3.5x9.5 (B) (43.2001)
16	* 1121 084 1700	1	Air guide (B) (43.2001)
17	* 1121 140 1902	1	Carburetor box cover → X 32 252 038 (31.95) □ 18 - 23
18	* 1121 124 0811	1	Prefilter → X 32 252 038 (31.95)
19	* 9099 021 0160	1	Self-tapping screw 2.2x6.5 → X 32 252 038 (31.95)
20	* 1121 141 2300	1	Twist lock → X 32 252 038 (31.95)
21	* 0000 997 1335	1	Compression spring → X 32 252 038 (31.95)
22	* 1121 141 2100	1	Detent → X 32 252 038 (31.95)
23	* 9099 021 2790	1	Self-tapping screw 3.9x16 → X 32 252 038 (31.95)
	* 1121 007 1027	1	Intake air preheating kit (B) → X 32 252 038 (31.95) □ 13 - 16, 18 - 25
24	* 1121 140 1906	1	Carburetor box cover (B) → X 32 252 038 (31.95) □ 13, 18 - 23, 25
25	* 1121 141 2501	1	Cover (B) → X 32 252 038 (31.95)
26	* 1121 084 4100	1	Shutter → X 32 252 038 (31.95)
27	* 9099 021 2770		Self-tapping screw 3.9x13 → X 32 252 038 (31.95)
28	* 1121 967 1506	1	Model plate 026 (12.96)
29	* 1121 967 1510	1	Model plate 026 C (12.96)
30	* 0000 974 1000	2	Round head rivet 3x6 (12.96)

133ET075 SC

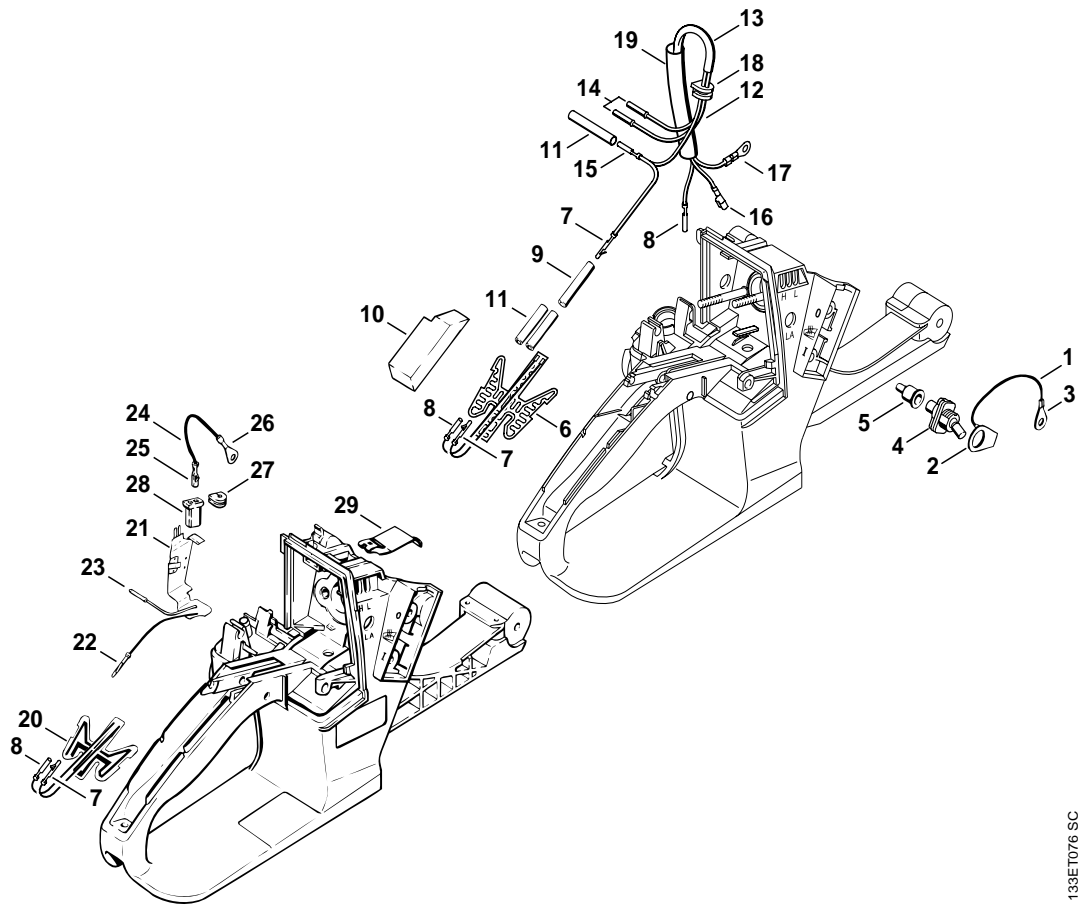


Ref. ID	Part Number	Qty.	Part Name
1	1121 440 2201	1	Ground wire (2,5,6) □ 2, 3
2	0751 030 8962	1	Terminal socket A 8-1 (2,5,6)
3	0751 030 8950	1	Terminal socket A 4-1 (2,5,6)
4	1110 430 0202	1	Stop switch (2,5,6)
5	1110 432 9200	1	Grommet (2,5,6)
6	1128 434 5000	1	Heating element (2,5,6) □ 7, 8
7	1118 431 6600	1	Terminal pin (2,5,6)
8	1118 431 6700	1	Terminal socket (2,5,6)
9	1121 442 0406	1	Insulating hose 40mm / 1.6" (2,5,6)
10	1121 791 9000	1	Clamp (2,5,6)
11	1121 442 0402	3	Insulating hose 35mm / 1.4" (2,5,6)
12	* 1121 440 3000	1	Wiring harness (2,5,6) (43.2001) □ 7, 8, 13 - 18
13	* 1123 442 0400	1	Hose (2,5,6) (43.2001)
14	* 1119 442 7000	2	Contact sleeve (2,5,6) (43.2001)
15	* 0751 030 8373	1	Terminal socket 1-2.5 (2,5,6) (43.2001)
16	* 0751 030 8957	1	Terminal socket 4.8-1/0.8 (2,5,6) (43.2001)
17	* 0751 030 8969	1	Terminal socket A5-1.5 (2,5,6) (43.2001)
18	* 0000 989 0507	1	Grommet (2,5,6) (43.2001)
19	* 1121 405 8001	1	Insulating hose 90mm / 3.5" (2,5,6) (43.2001)

(1) 026, (2) 026 W, (3) 026 C, (4) 026 PRO,  
(5) 026 WVH, (6) 026 Arctic

133ET1076 SC

not for reprint

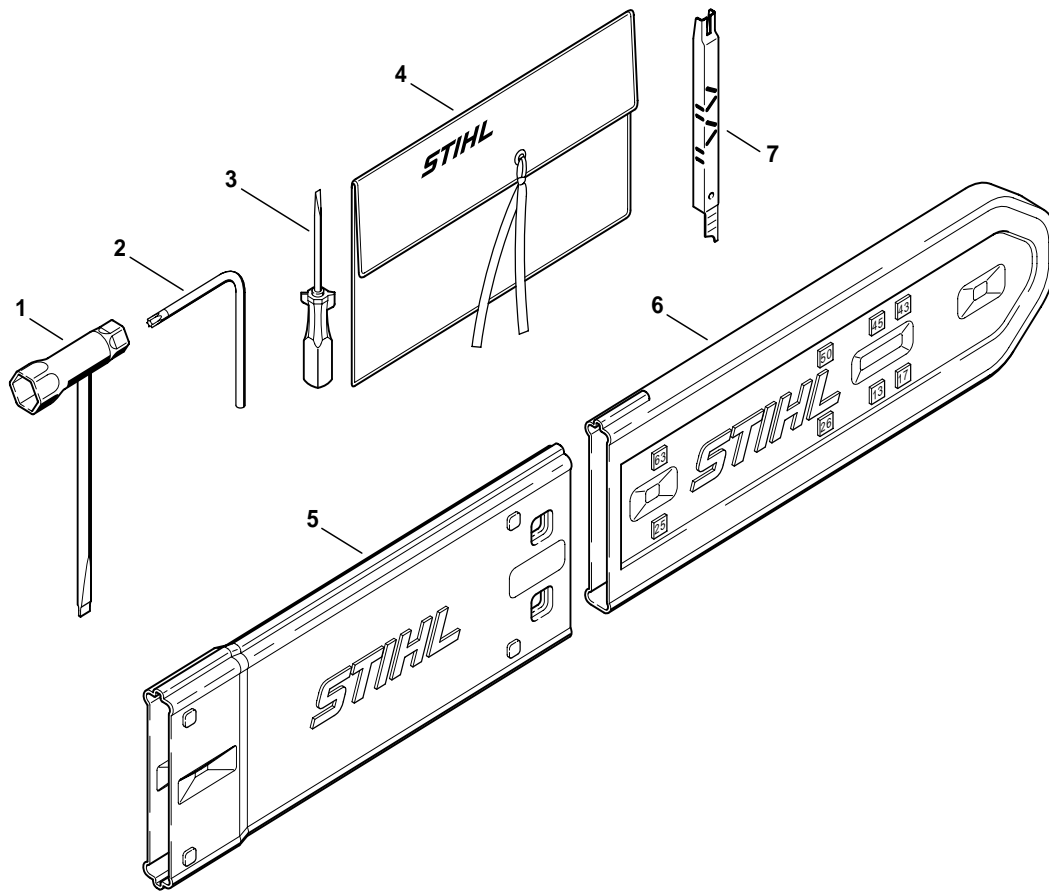


Ref. ID	Part Number	Qty.	Part Name
20	* 1125 434 5000	1	Heating element (2,5,6) → X 33 339 217 (12.96) □ 7, 8
21	* 1121 430 3202	1	Circuit board (2,5,6) → X 33 339 217 (12.96)
22	* 1110 442 7000	1	Contact sleeve (2,5,6) → X 33 339 217 (12.96)
23	* 0751 030 8353	1	Terminal (2,5,6) → X 33 339 217 (12.96)
24	* 1121 440 2203	1	Ground wire (2,5,6) → X 33 339 217 (12.96) □ 25, 26
25	* 0751 030 8402	1	Terminal socket 2.8-1/0.5 (2,5,6) → X 33 339 217 (12.96)
26	* 0751 030 8969	1	Terminal socket A5-1.5 (2,5,6) → X 33 339 217 (12.96)
27	* 4112 432 9202	1	Grommet (2,5,6) → X 33 339 217 (12.96)
28	* 0751 030 8466	1	Terminal socket housing (2,5,6) → X 33 339 217 (12.96)
29	* 1121 791 1300	1	Sealing flap (2,5,6) → X 36 453 619 (18.97)

(1) 026, (2) 026 W, (3) 026 C, (4) 026 PRO,  
(5) 026 WVH, (6) 026 Arctic

133ET1076 SC

not for reprint



Ref. ID	Part Number	Qty.	Part Name
	1121 890 1400	1	Tool kit □ 1 - 4
1	1129 890 3401	1	Combination wrench
2	0812 370 1000	1	Screwdriver T27x120x70
3	0000 890 2300	1	Screwdriver
4	0000 891 0801	1	Tool roll
5	0000 792 9131	1	Chain scabbard extension up to 45 cm (B)
6	0000 792 9129	1	Chain scabbard
7	1110 893 4000	1	Filing gauge (B)
	1121 900 5004	1	STIHL repair kit ElastoStart (B)
	1121 007 1042	1	Mounting kit catalytic converter (B)

165ET012 SC

not for reprint