



# SPARE PARTS LIST

FOR THE

## SANKEY-ASPIN CHAIN SAWS



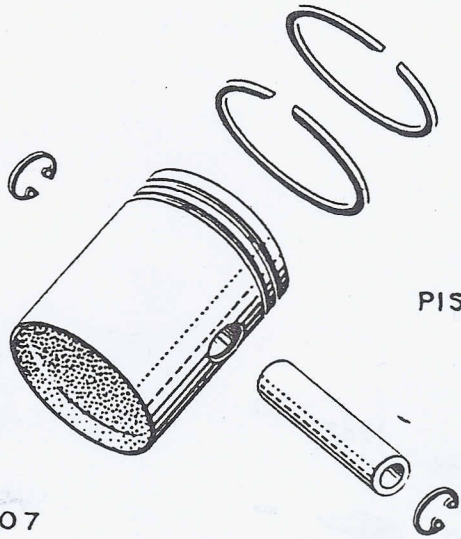
Issued by J. H. Sankey & Son, Ltd., Aldwych House, London, W.C.2

1954

Price 2/6

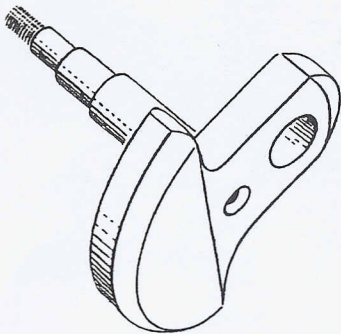


# PISTON AND CRANKSHAFT



PISTON COMPLETE  
2305.

2707



2657



2011

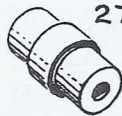


2304

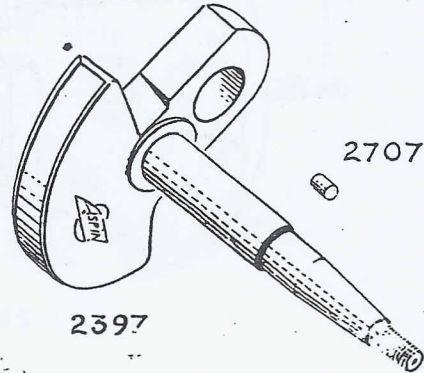
2394



2394



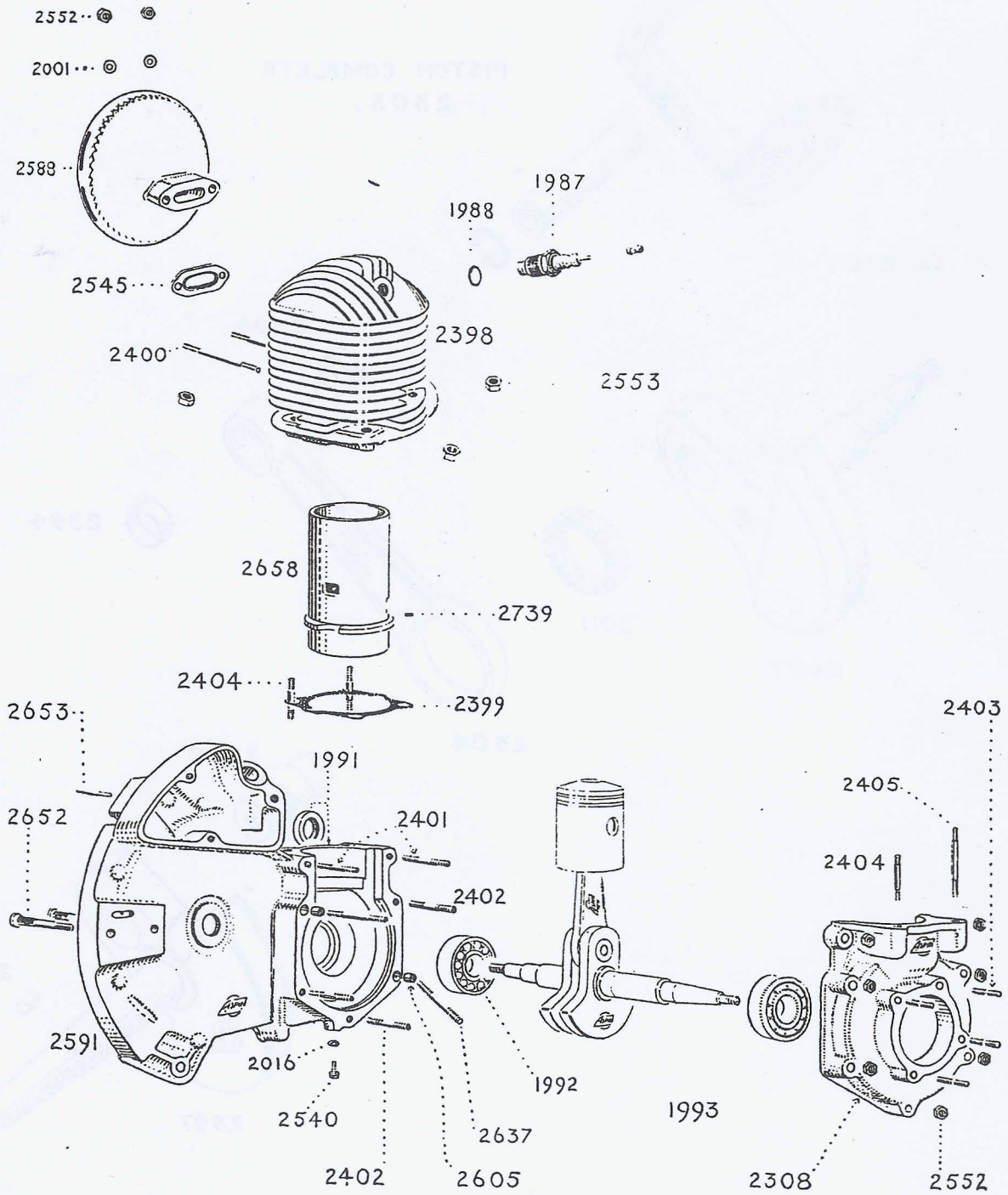
2700



2707

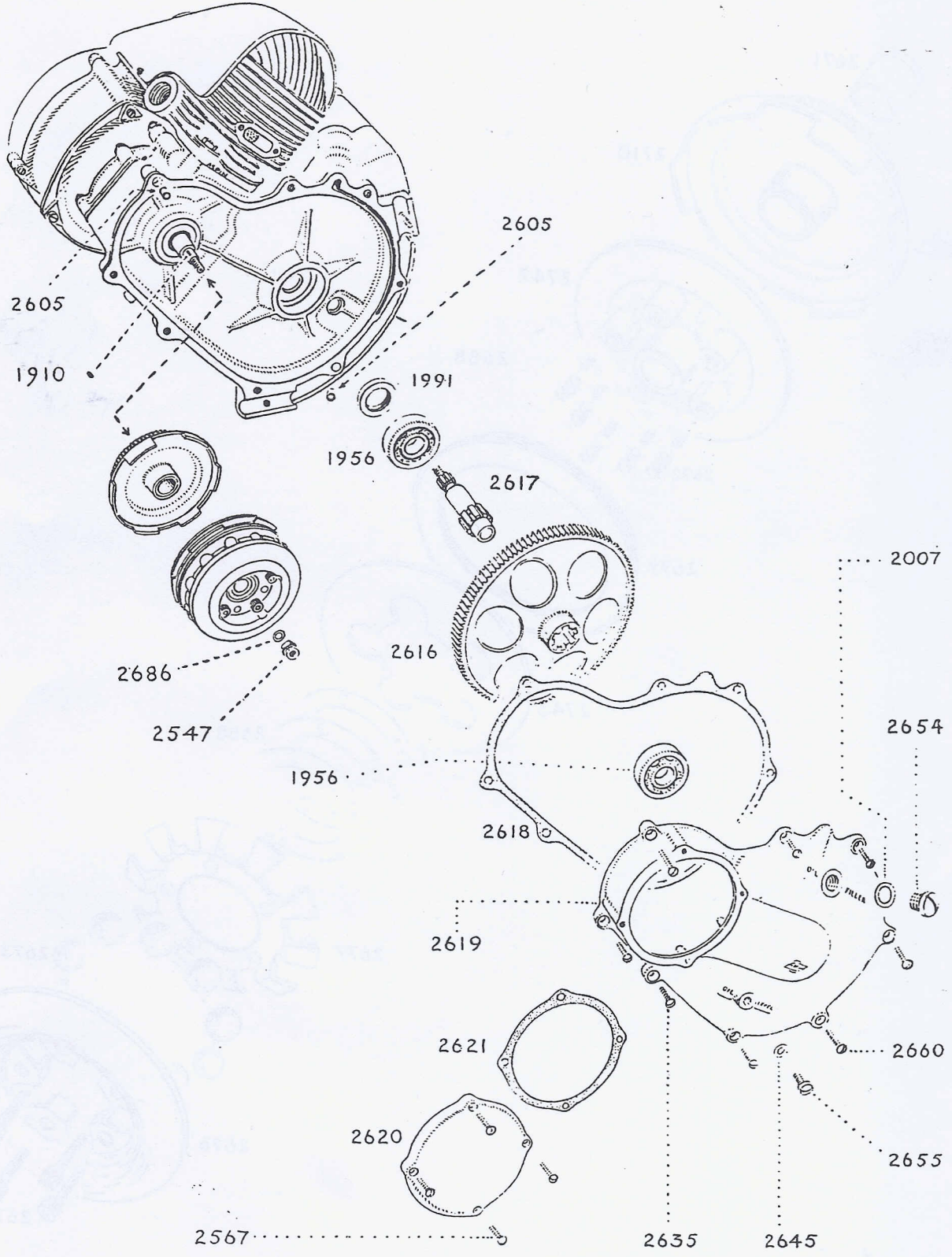
2397

# CRANK CASE AND CYLINDER HEAD



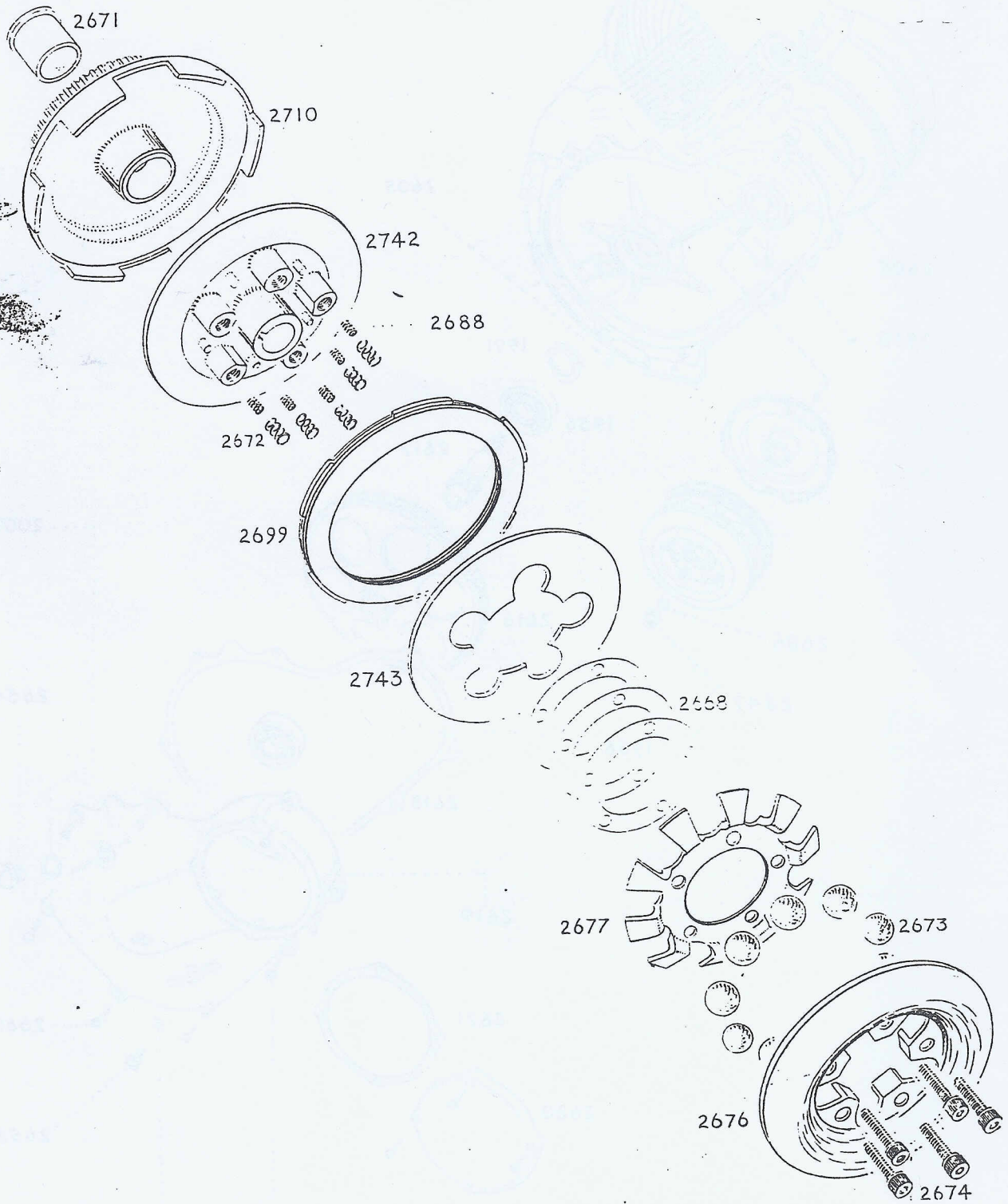


# GEAR HOUSING AND COVER



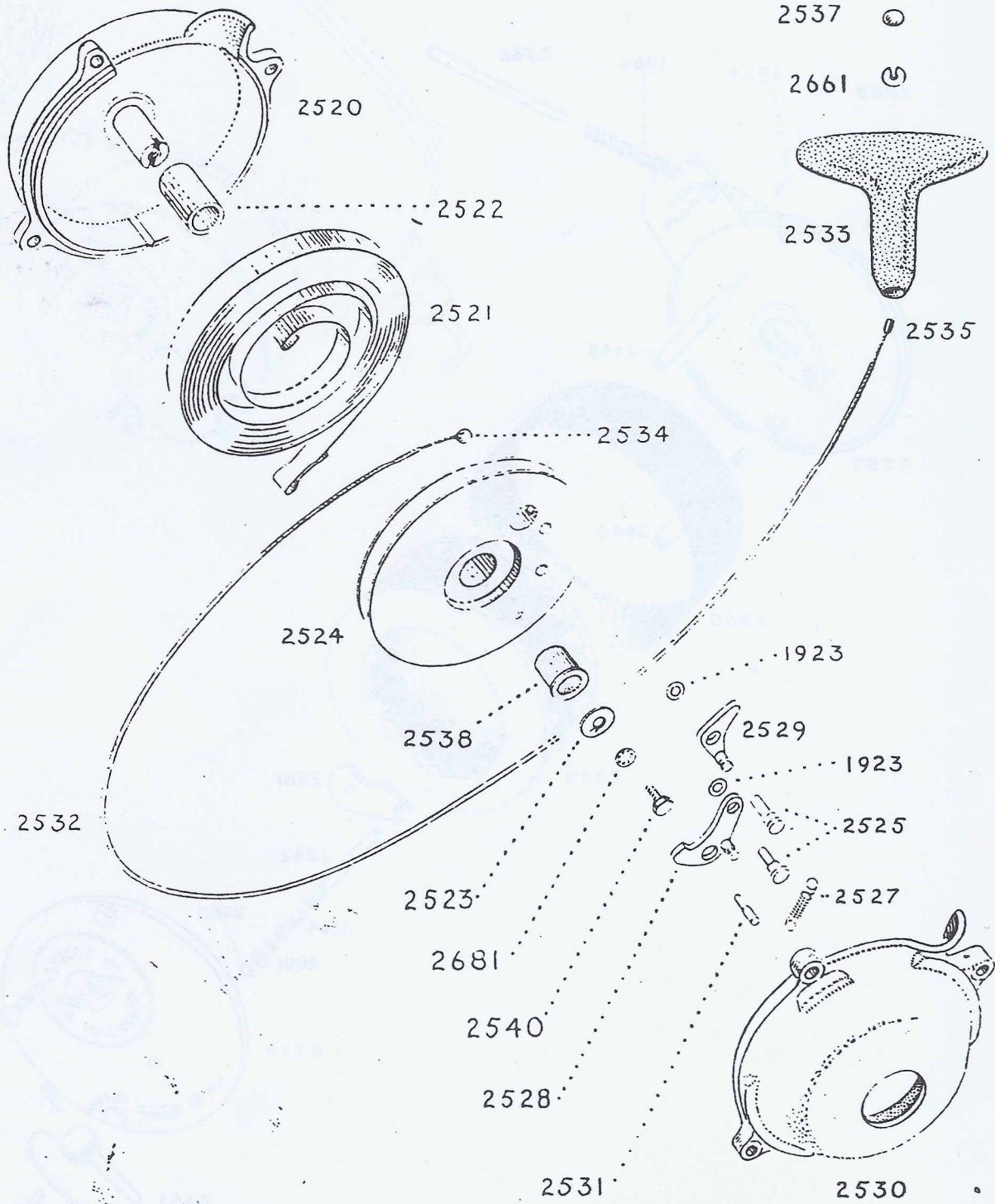


# CLUTCH



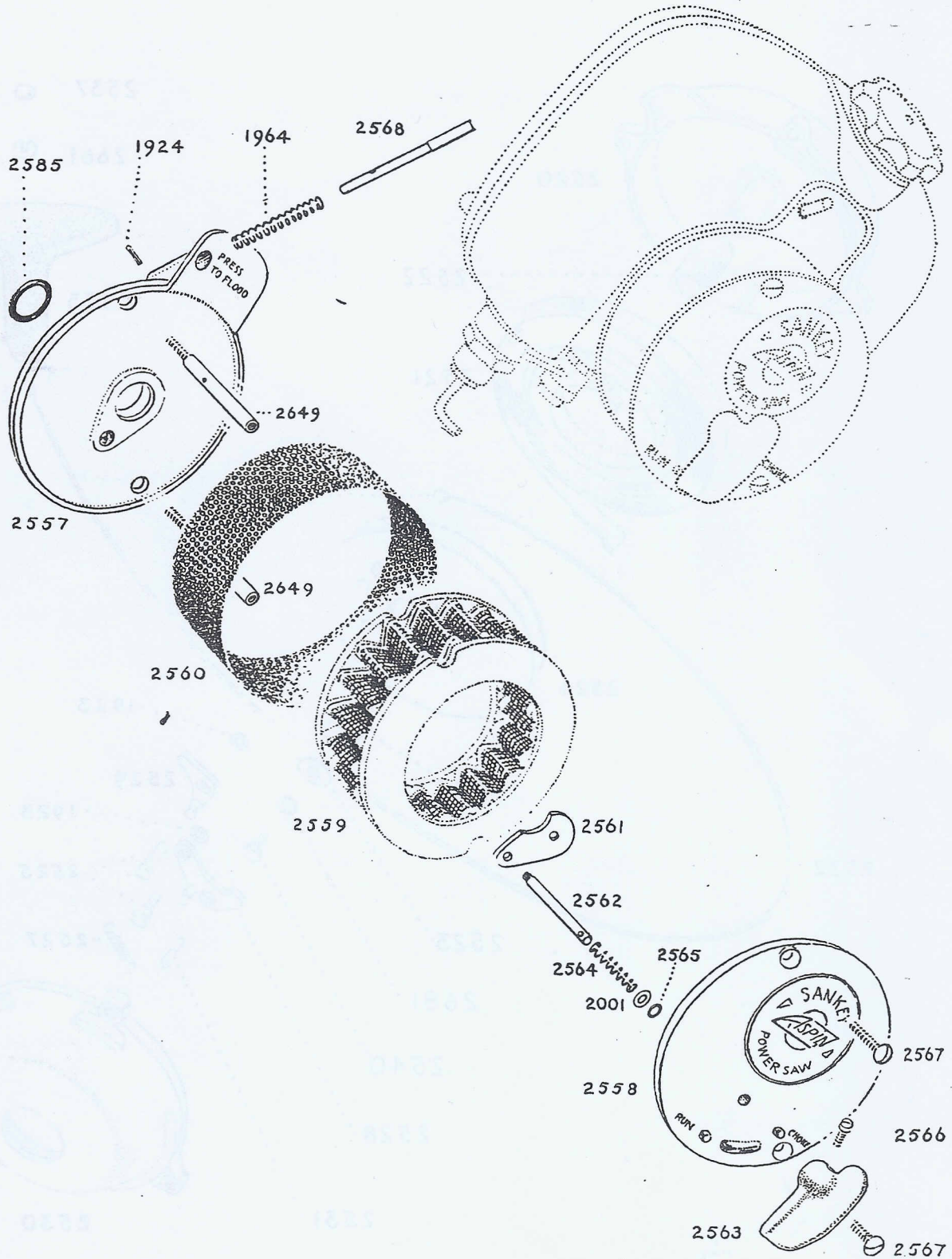


# STARTER





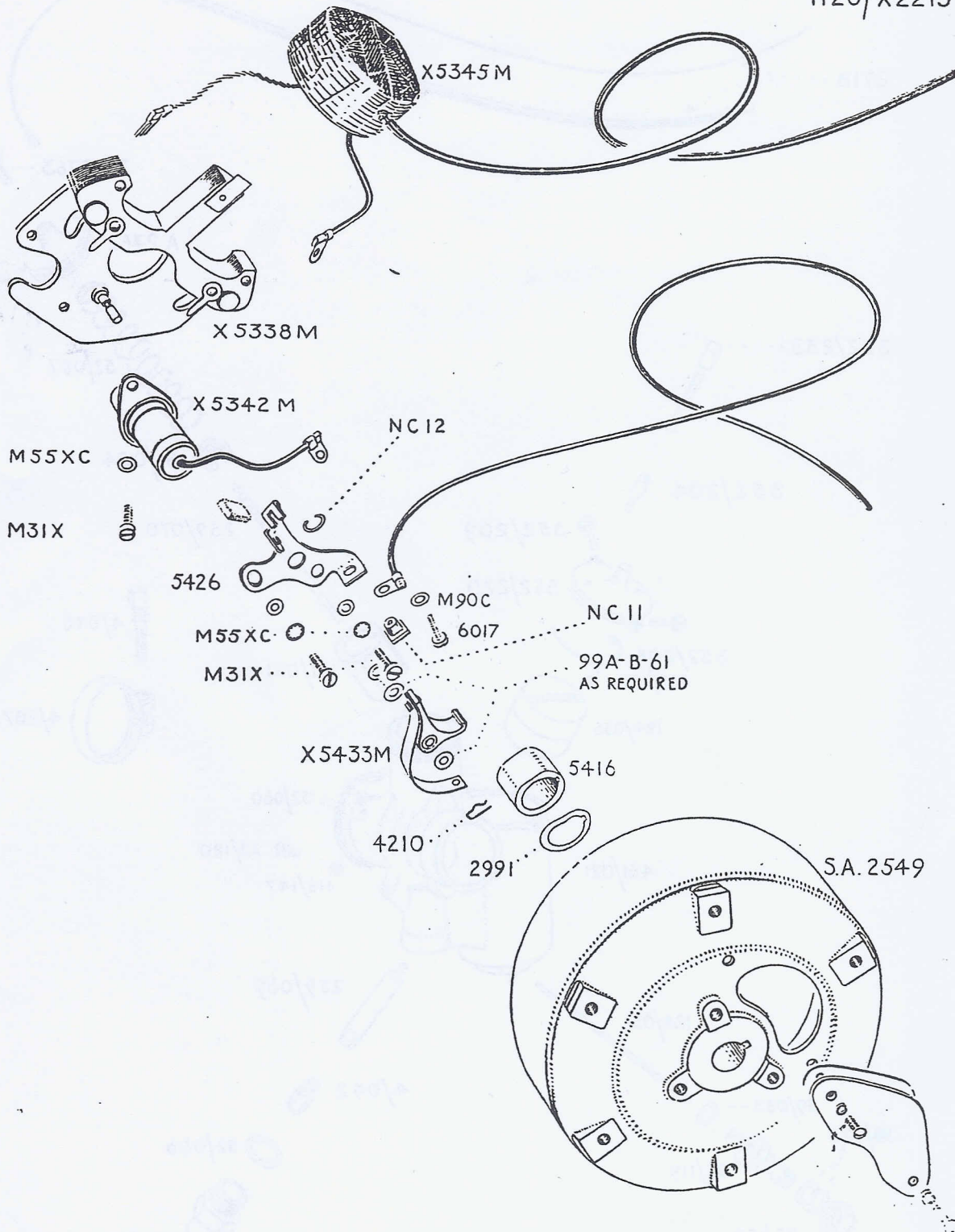
# AIR CLEANER AND CHOKE



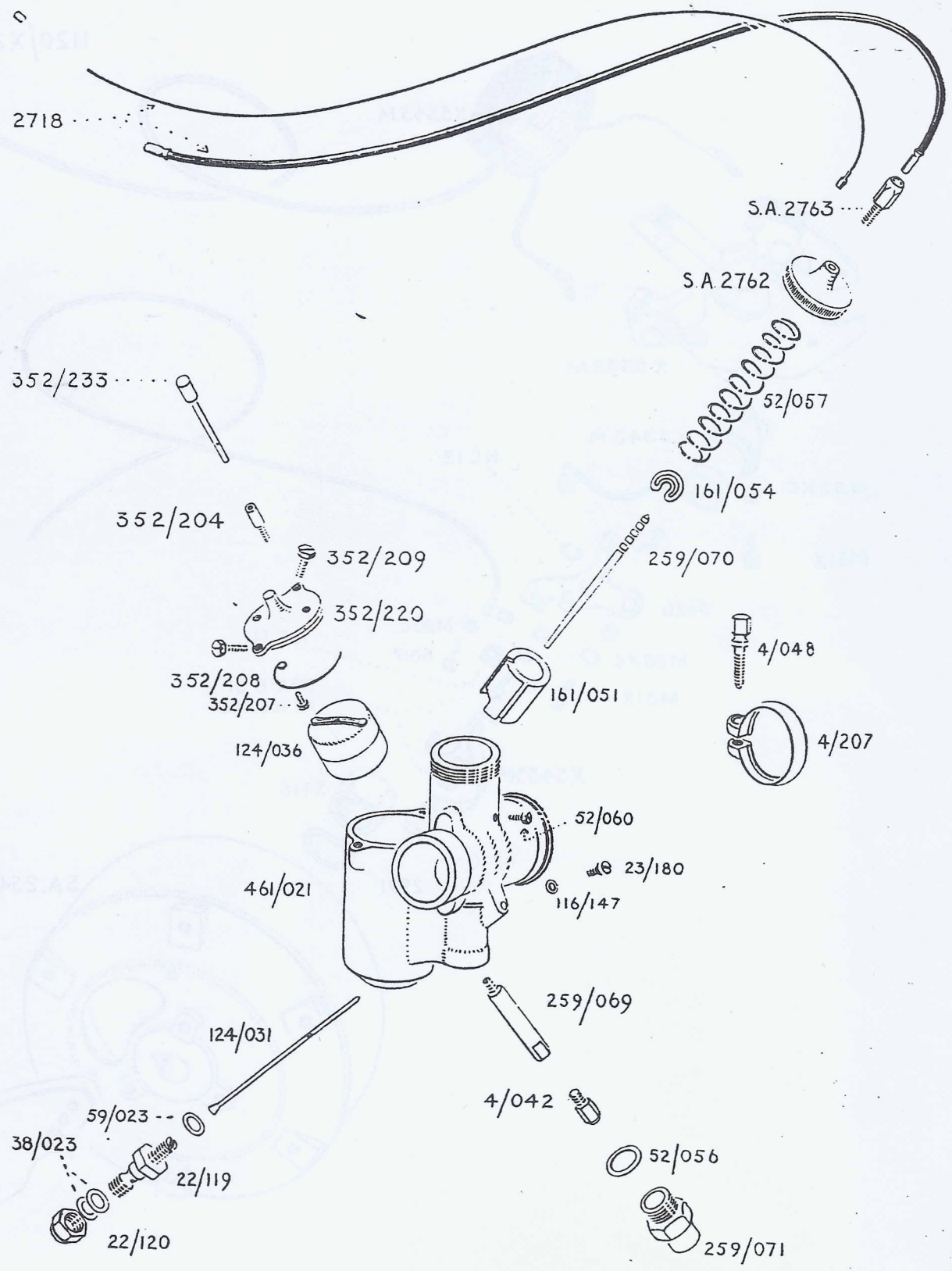


# MAGNETO (NEW TYPE) SA. 2549

1120/X2215

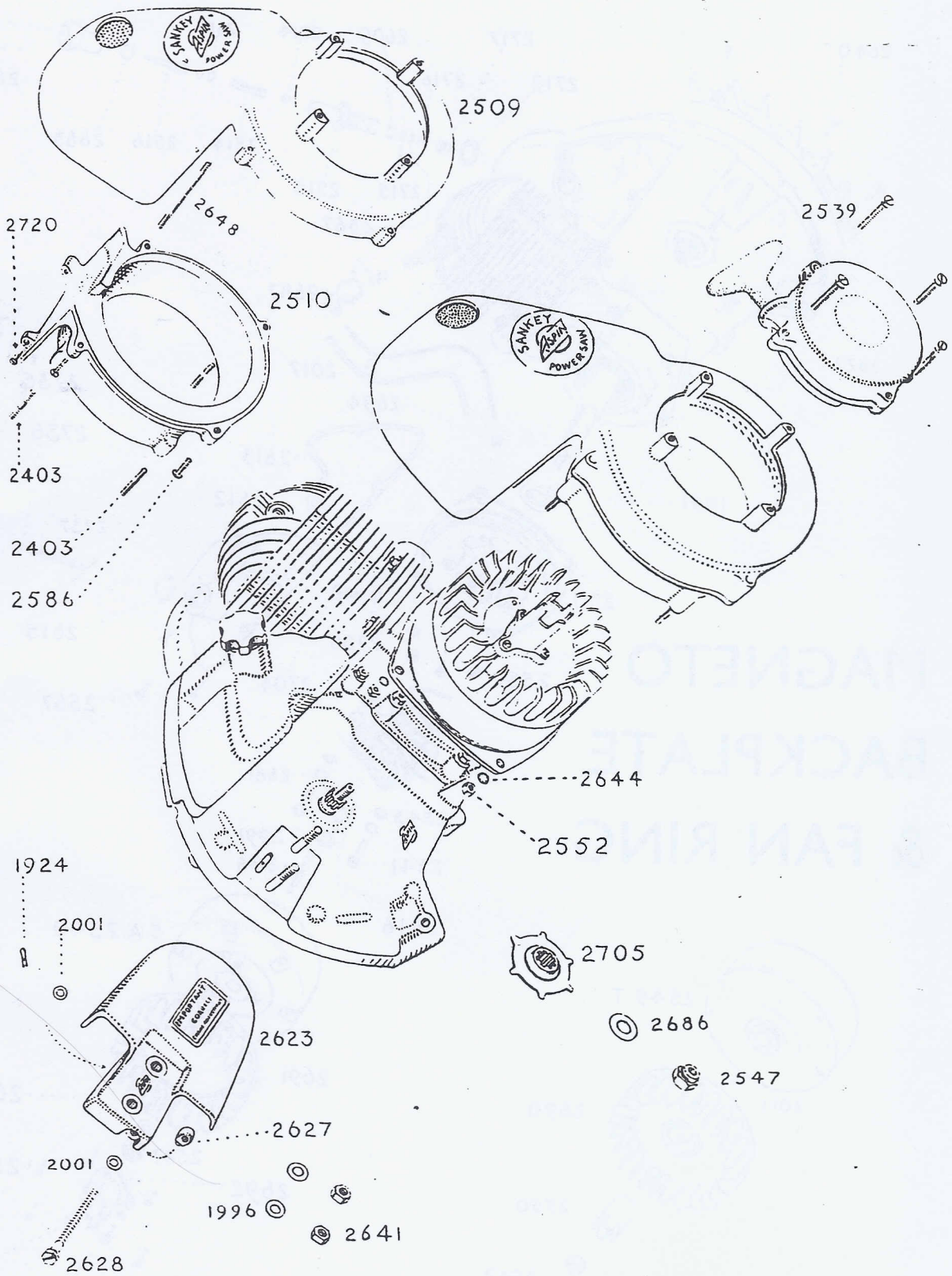


# CARBURETTOR



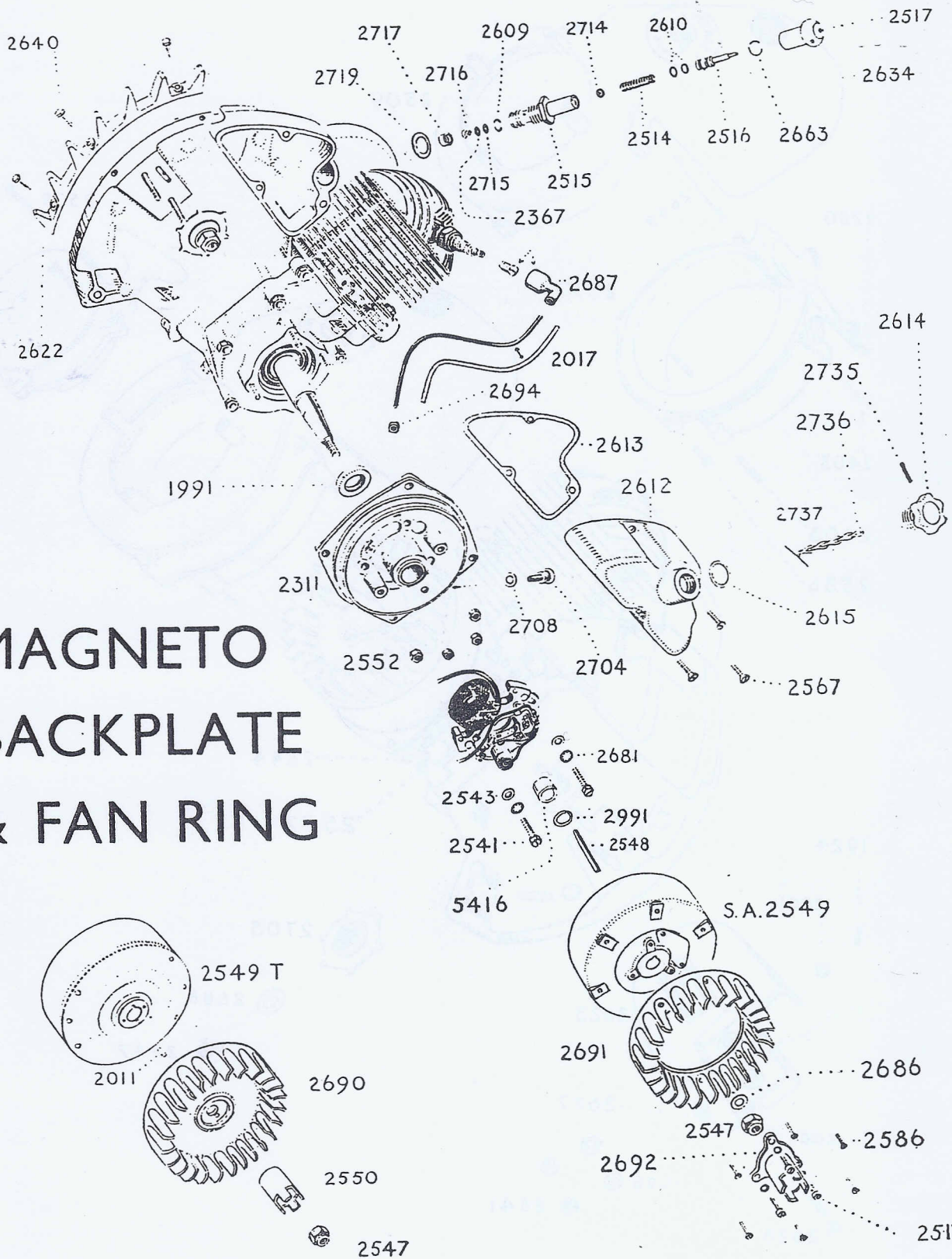


# FAN COWL & SPROCKET GUARD





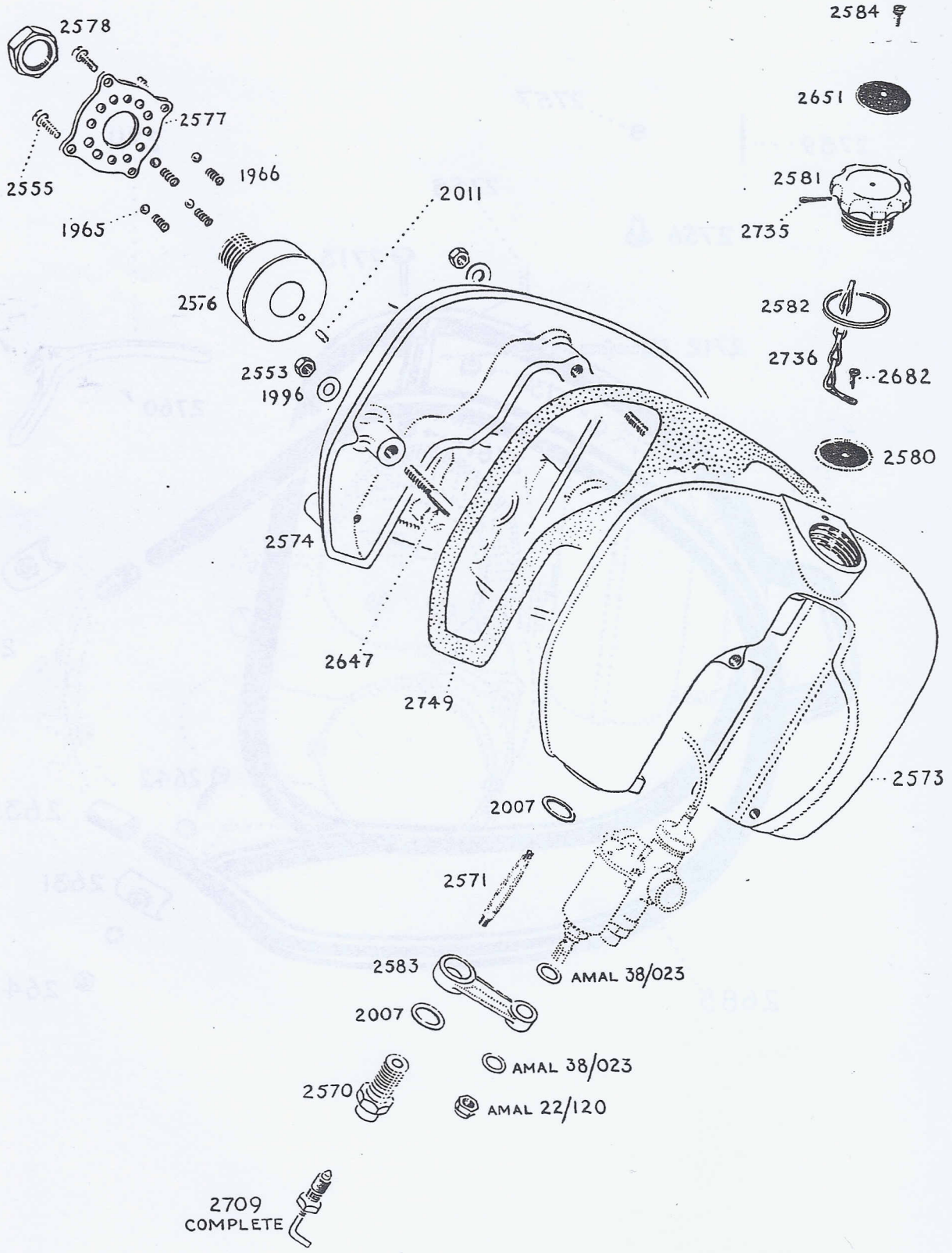
# BARK GRIP, OIL PUMP, OIL TANK,



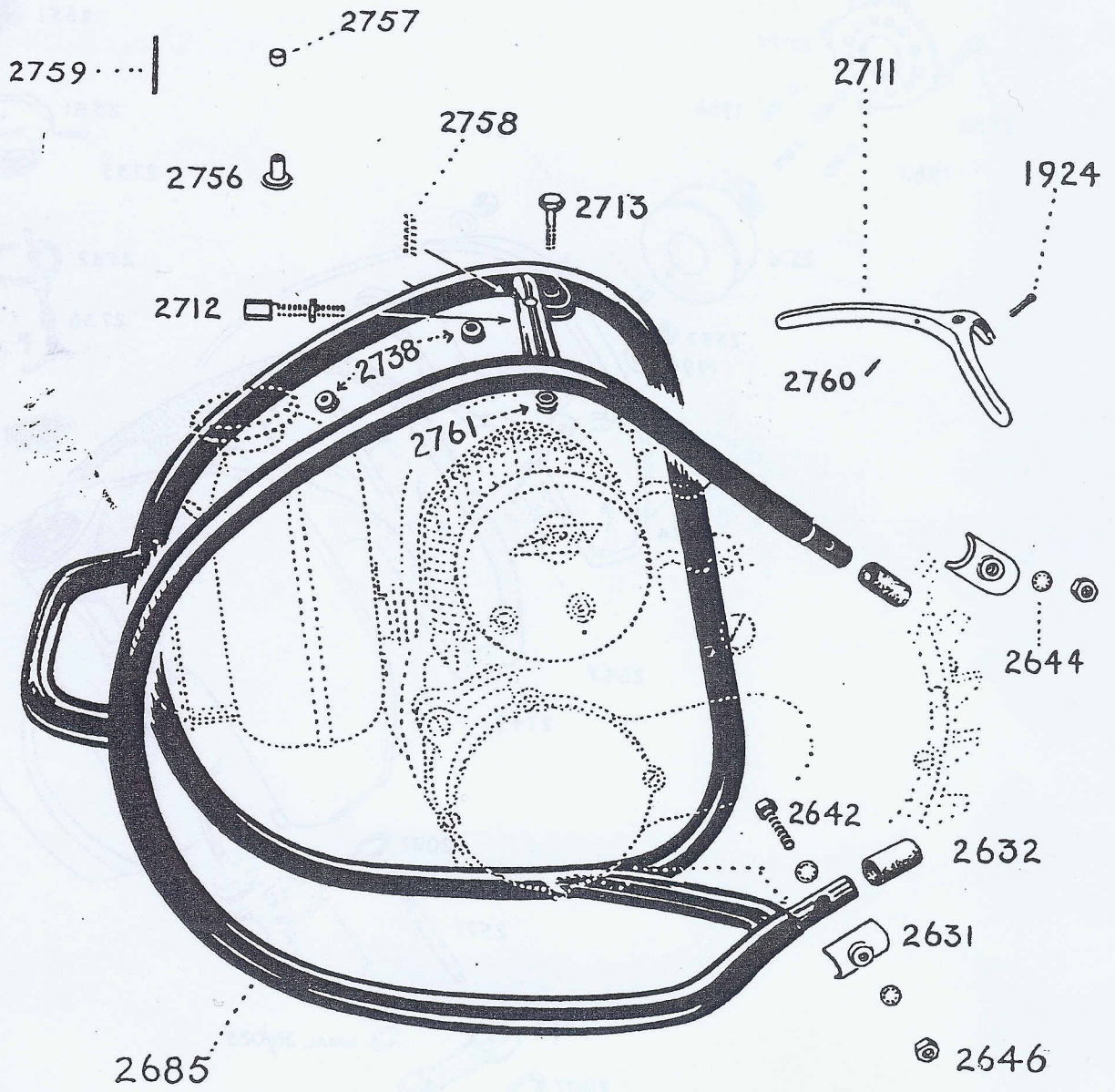
# MAGNETO BACKPLATE & FAN RING



# FUEL TANK

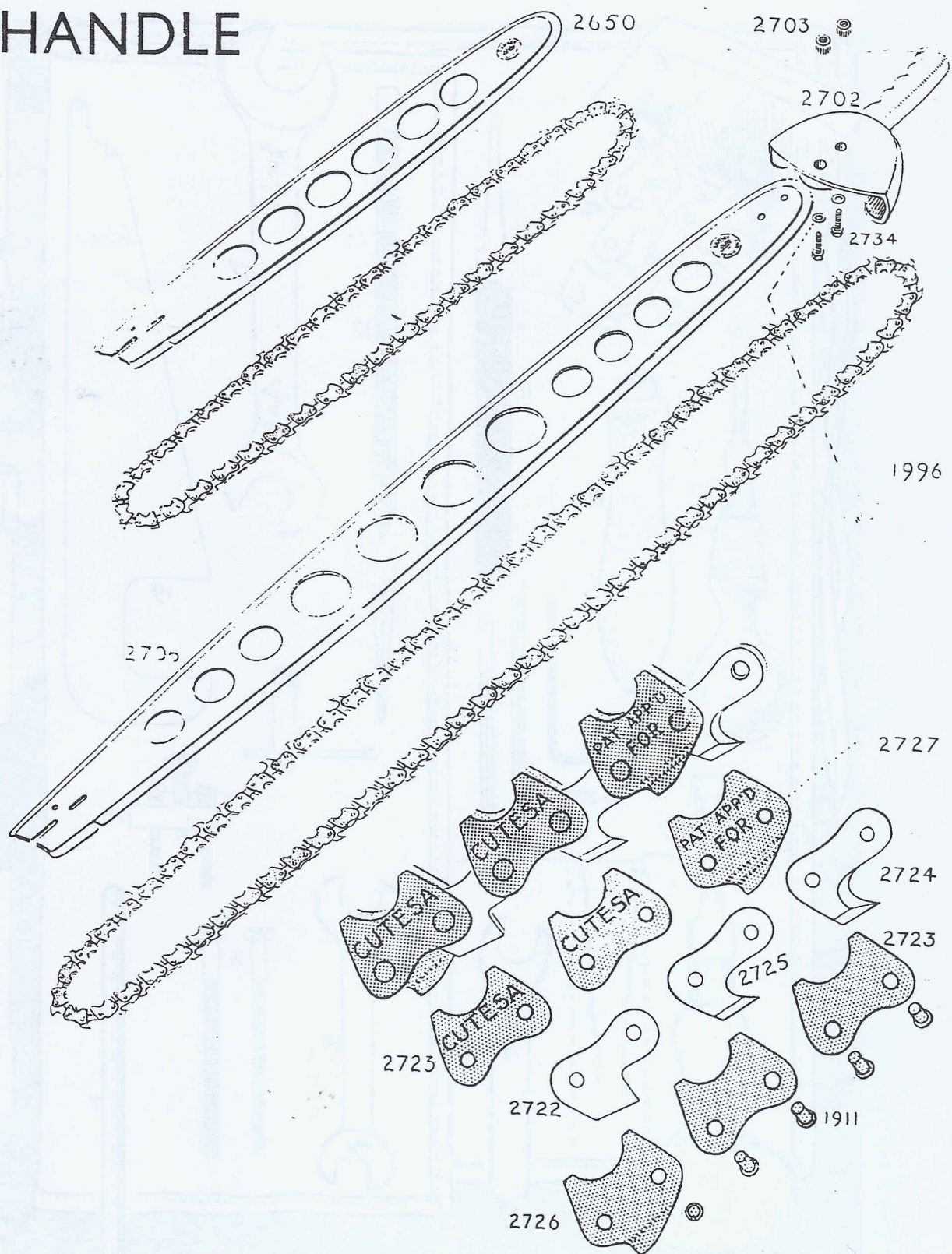


# FRAME & THROTTLE CONTROL





# CHAINS, BLADES, AND HELPERS HANDLE





# STANDARD TOOL KIT

