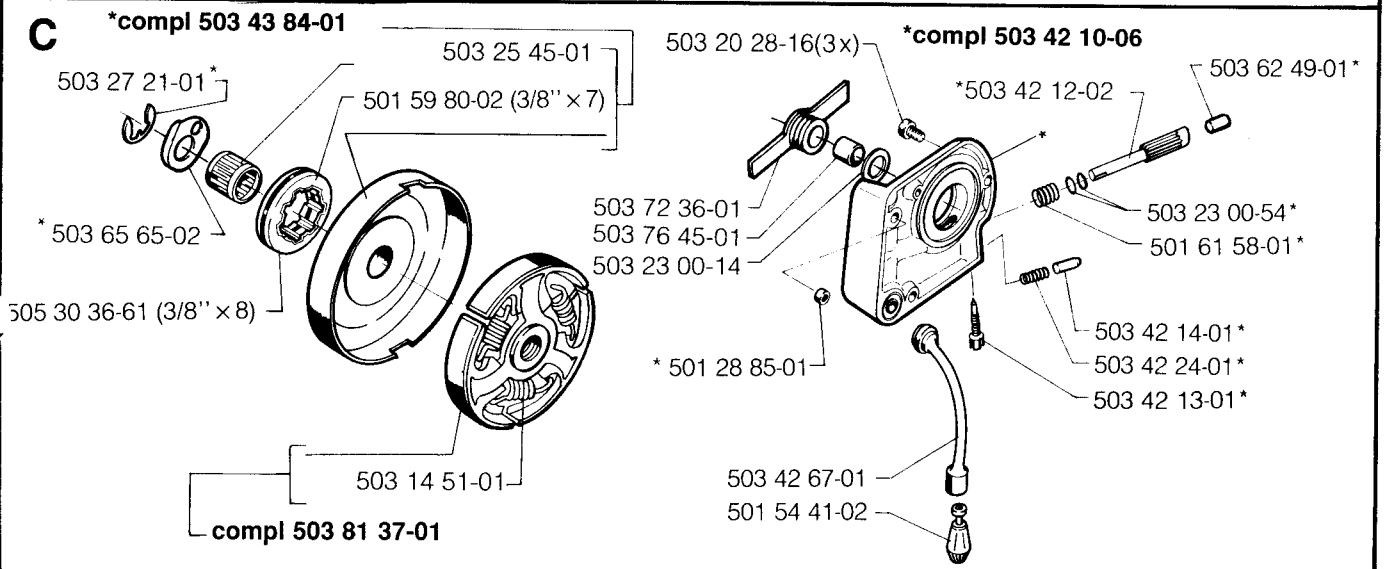
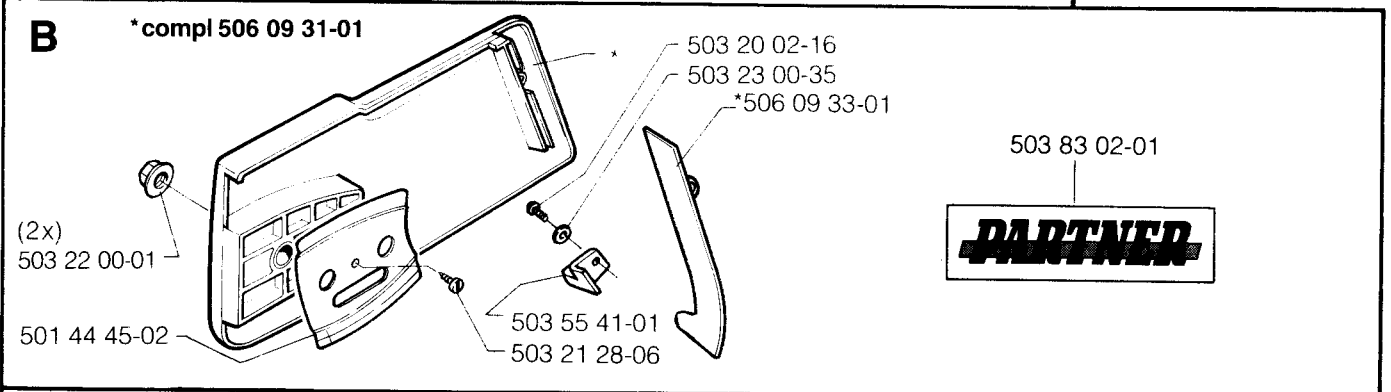
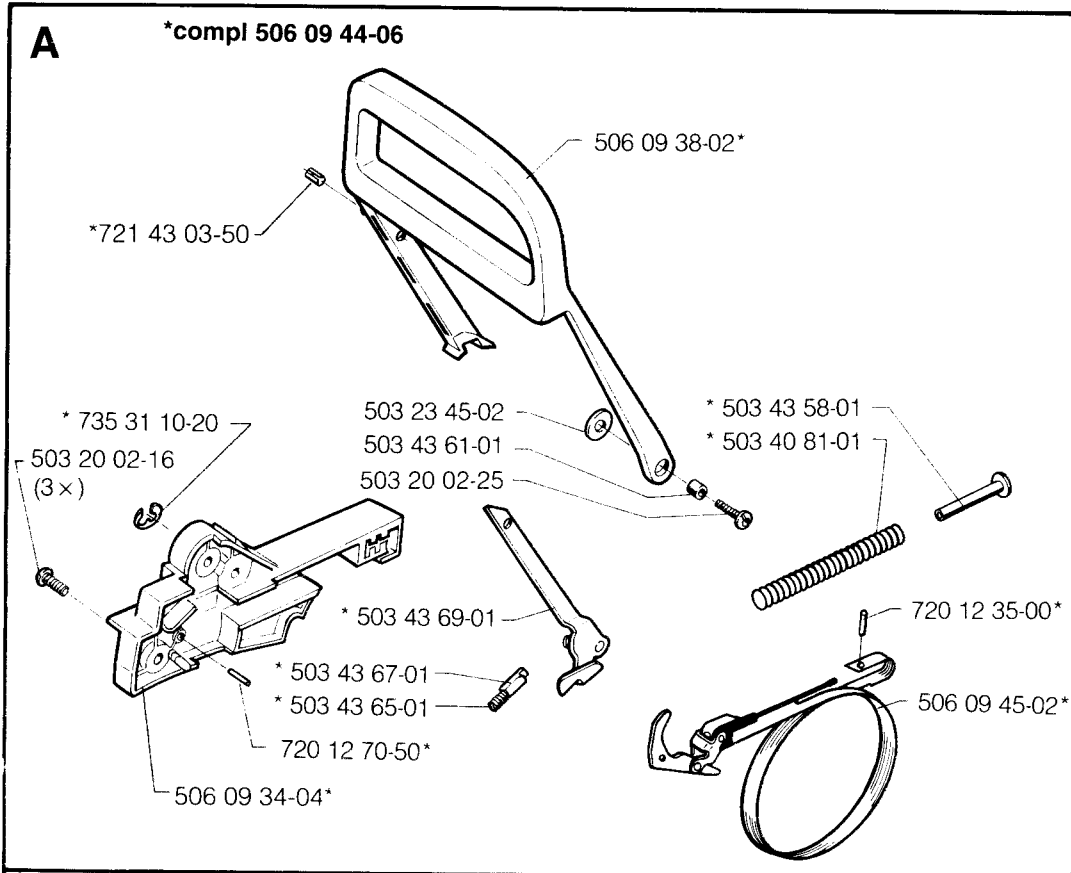
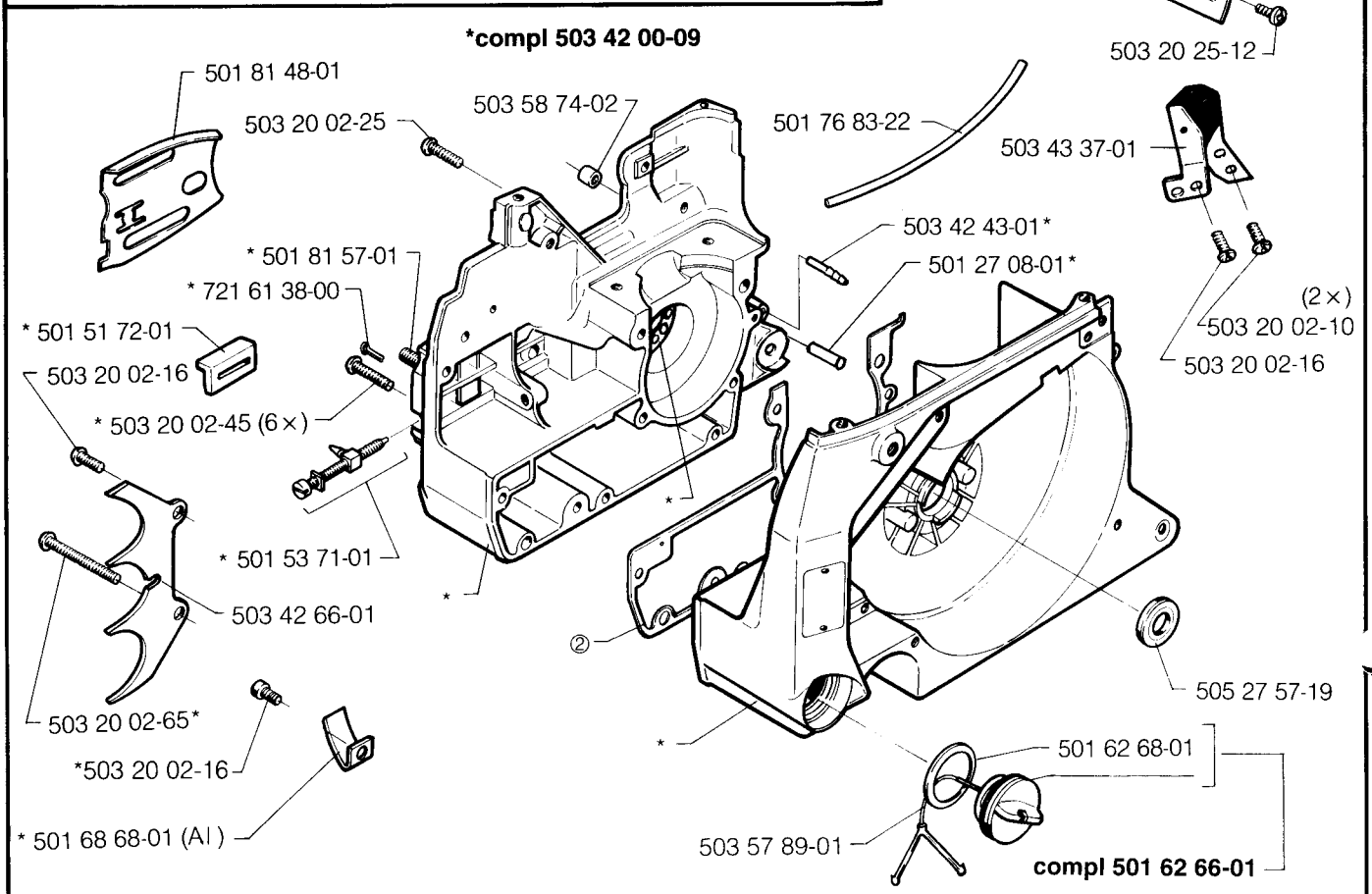
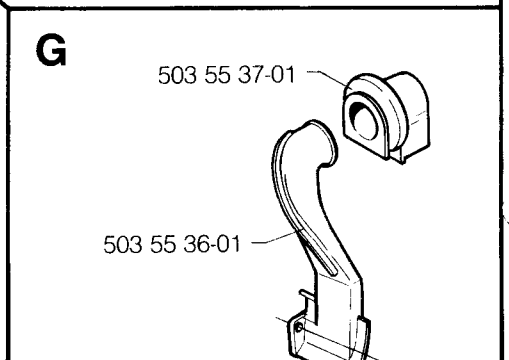
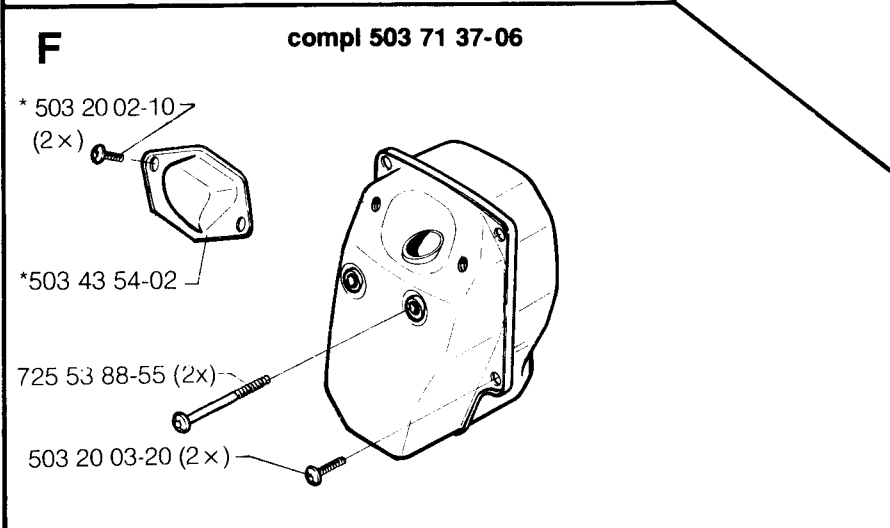
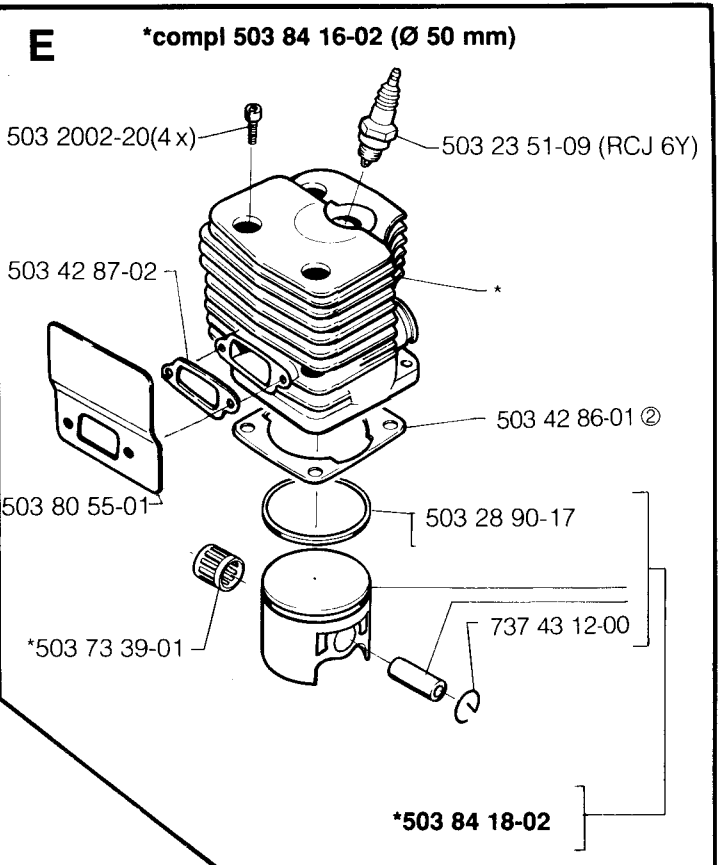
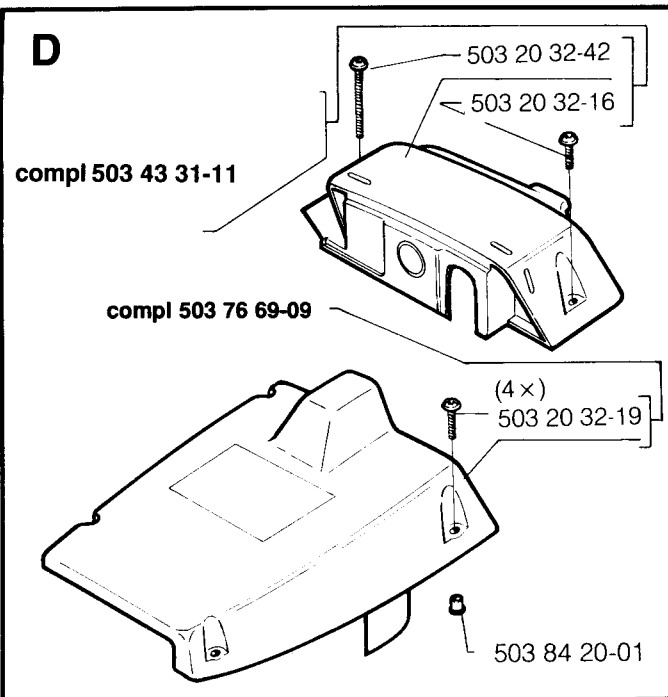
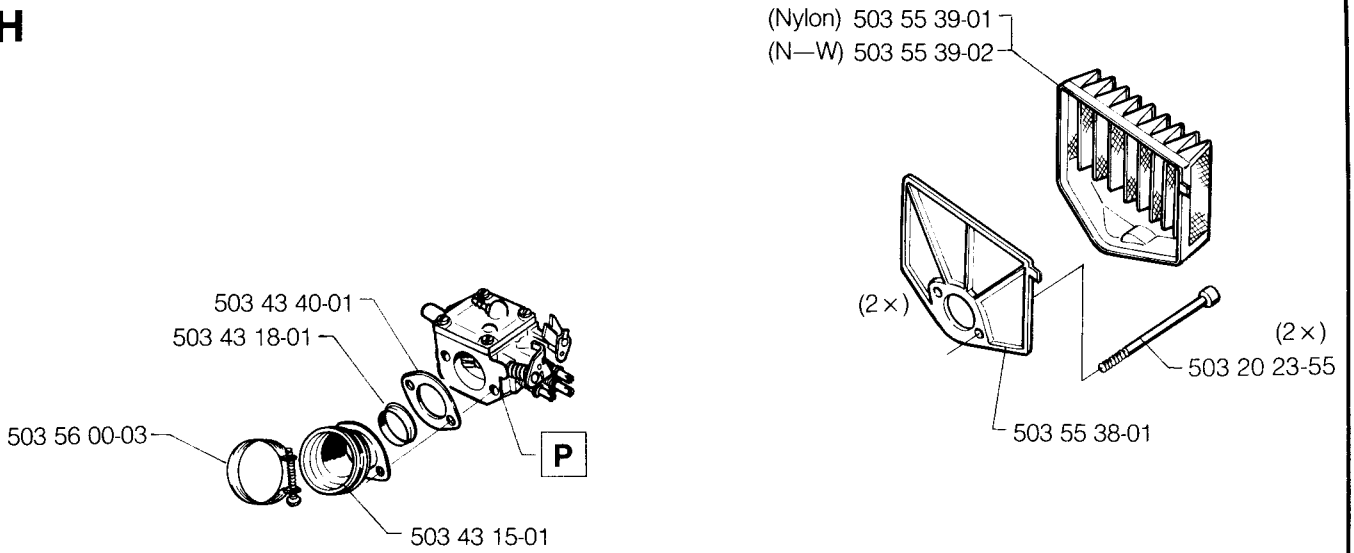
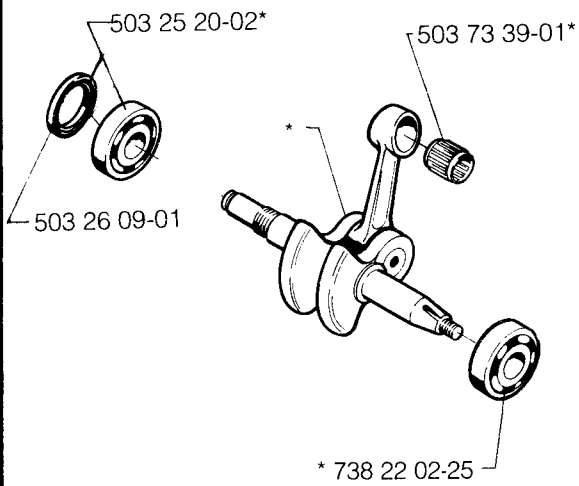
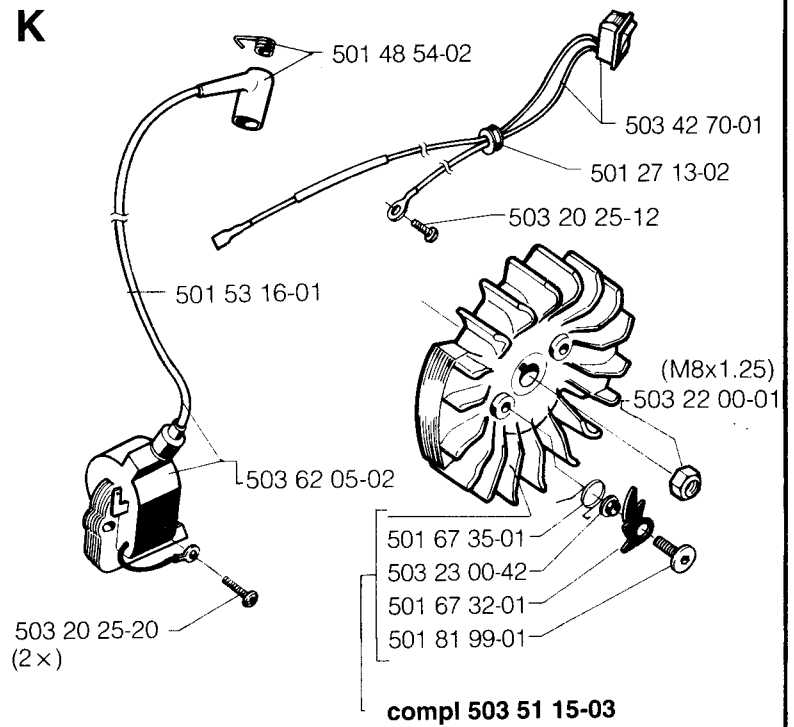
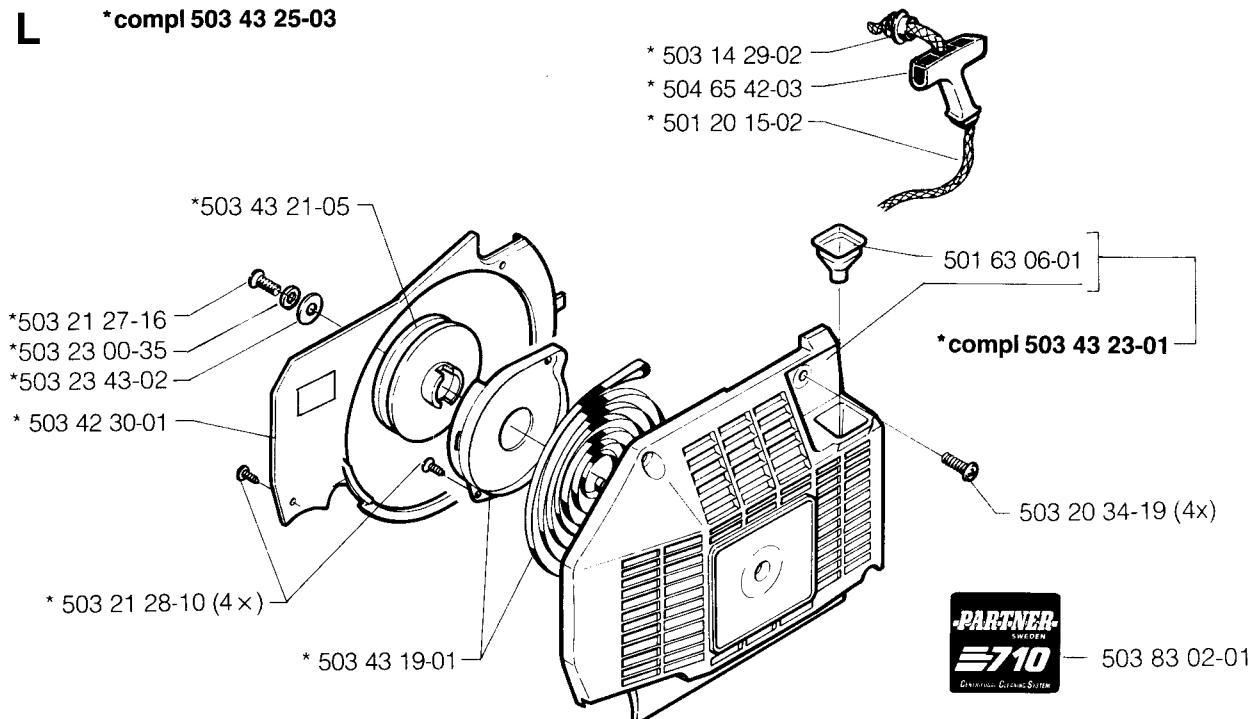


## SPAREPARTS 107 26 67-61

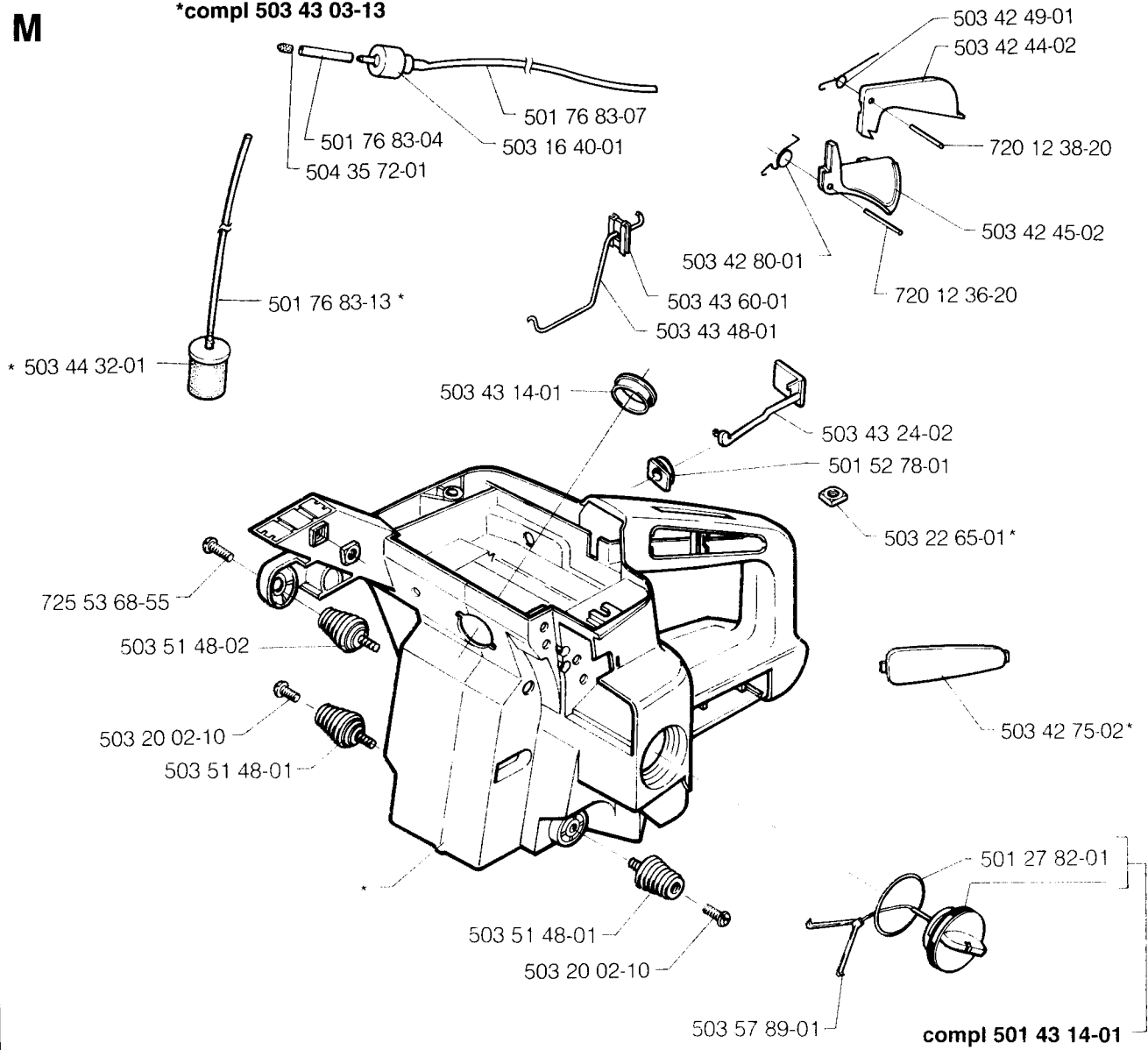




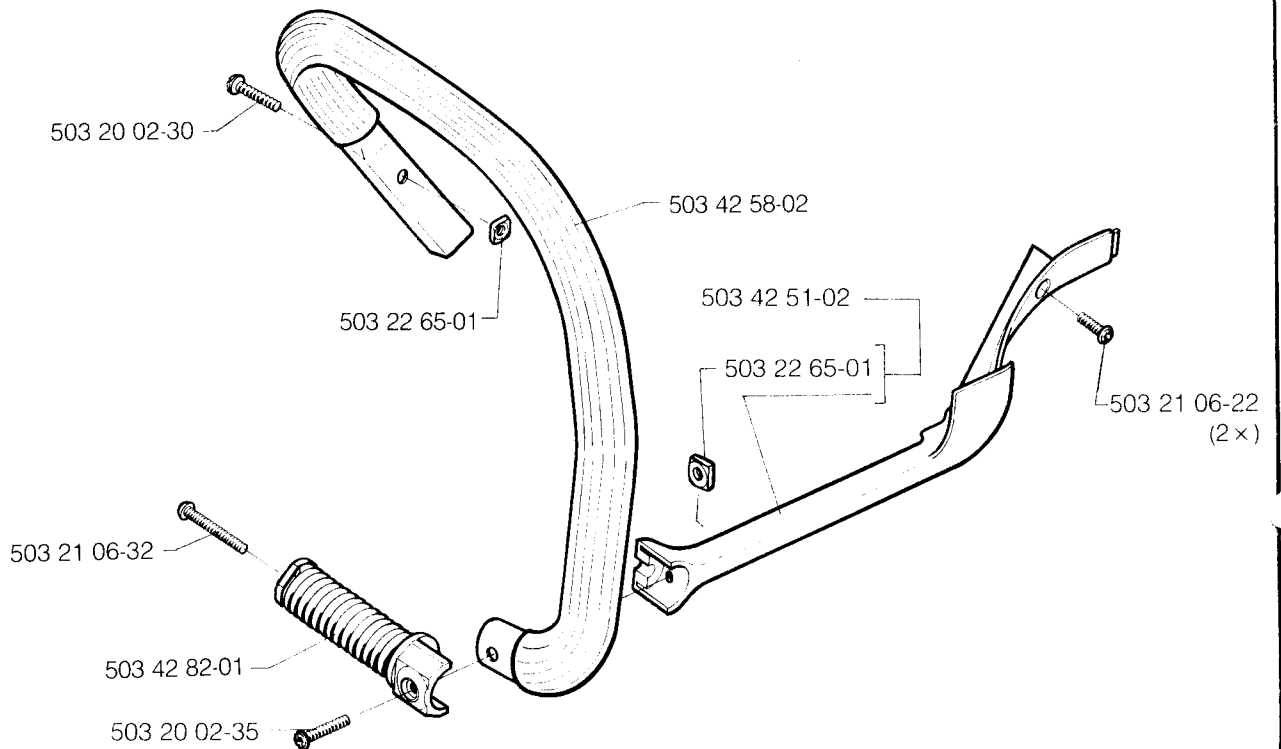
**H****J****\*compl 506 08 86-03****K****L****\*compl 503 43 25-03**

**M**

\*compl 503 43 03-13



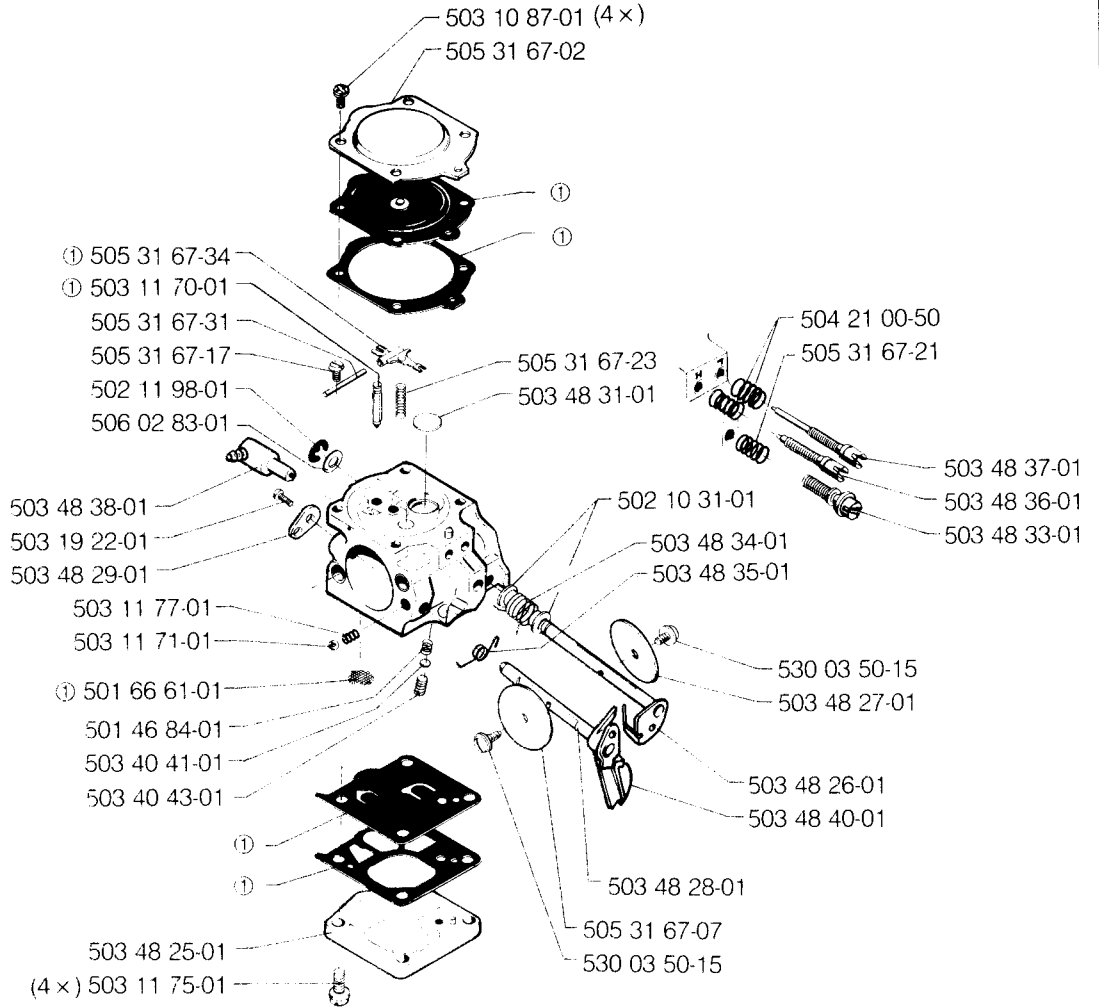
**N**



**P**

compl 503 28 12-09

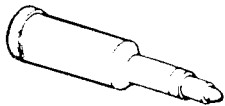
**Walbro WJ 28 A**



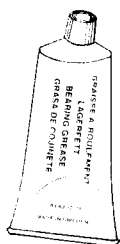
① 503 08 84-01  
**Packningsatts**  
**Set of gaskets**  
**Dichtungssatz**  
**Jeu de joints**  
**Jeugo de junta**

**Q**

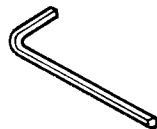
**Tillbehör**  
**Accessories**  
**Zubehöre**  
**Accessoires**  
**Accesorios**



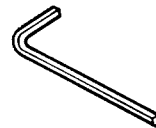
501 91 14-01



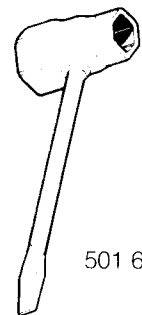
503 62 12-01



503 55 86-02 (5 mm)



503 55 86-01 (4 mm)



501 69 17-01

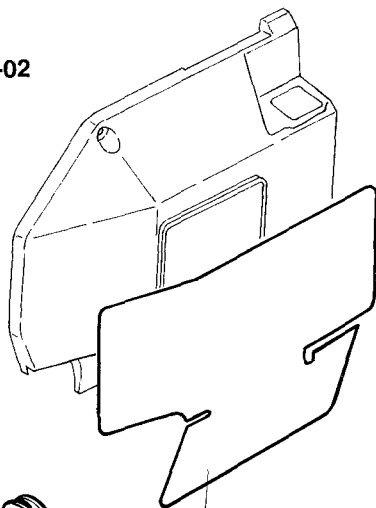
**R** Levereras endast som reservdel  
Delivery as spare part only  
Nur als Ersatzteil lieferbar  
Livrabl seulement comme pièce de rechange  
Solo como repuesto



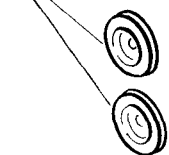
501 60 02-02

\*compl 503 43 44-02

Vintersats  
Vinterkit  
Winter Kit



503 43 49-01\*



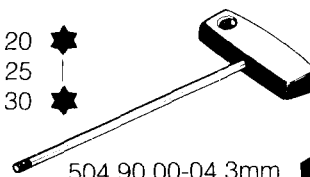
502 51 67-01 TX 20



502 71 27-01 TX 25



502 71 31-01 TX 30



504 90 00-04 3mm



504 90 00-02 4mm

504 90 00-03 5mm

504 90 00-01 6mm



| Partnumber   | Square | Note | Partnumber   | Square | Note | Partnumber   | Square | Note | Partnumber   | Square | Note |
|--------------|--------|------|--------------|--------|------|--------------|--------|------|--------------|--------|------|
| 501 20 15-02 | L      |      | 503 22 65-01 | M,N    |      | 503 48 26-01 | P      |      | 720 12 35-00 | A      |      |
| 501 27 08-01 | G      |      | 503 23 00-14 | C      |      | 503 48 27-01 | P      |      | 720 12 36-20 | M      |      |
| 501 27 13-02 | K      |      | 503 23 00-35 | B,L    |      | 503 48 28-01 | P      |      | 720 12 38-20 | M      |      |
| 501 27 82-01 | M      |      | 503 23 00-42 | K      |      | 503 48 29-01 | P      |      | 720 12 70-50 | A      |      |
| 501 28 85-01 | C      |      | 503 23 00-54 | C      |      | 503 48 31-01 | P      |      | 721 43 03-50 | A      |      |
| 501 43 14-01 | M      |      | 503 23 43-02 | L      |      | 503 48 33-01 | P      |      | 721 61 38-00 | G      |      |
| 501 44 45-02 | B      |      | 503 23 45-02 | A      |      | 503 48 34-01 | P      |      | 725 53 68-55 | M      |      |
| 501 46 84-01 | P      |      | 503 23 51-09 | E      |      | 503 48 35-01 | P      |      | 725 53 88-55 | F      |      |
| 501 48 54-02 | K      |      | 503 25 20-02 | J      |      | 503 48 36-01 | P      |      | 735 31 10-20 | A      |      |
| 501 51 72-01 | G      |      | 503 25 45-01 | C      |      | 503 48 37-01 | P      |      | 737 43 12-00 | E      |      |
| 501 52 78-01 | M      |      | 503 26 09-01 | J      |      | 503 48 38-01 | P      |      | 738 22 02-25 | J      |      |
| 501 53 16-01 | K      |      | 503 27 21-01 | C      |      | 503 48 40-01 | P      |      |              |        |      |
| 501 53 71-01 | G      |      | 503 28 12-09 | P      |      | 503 51 15-03 | K      |      |              |        |      |
| 501 54 41-02 | C      |      | 503 28 90-17 | E      | N    | 503 51 48-01 | M      |      |              |        |      |
| 501 59 80-02 | C      |      | 503 40 41-01 | P      |      | 503 51 48-02 | M      |      |              |        |      |
| 501 60 02-02 | R      |      | 503 40 43-01 | P      |      | 503 55 36-01 | G      |      |              |        |      |
| 501 61 58-01 | C      |      | 503 40 81-01 | A      |      | 503 55 37-01 | G      |      |              |        |      |
| 501 62 66-01 | G      |      | 503 42 00-09 | G      |      | 503 55 38-01 | H      |      |              |        |      |
| 501 62 68-01 | G      |      | 503 42 05-06 | E      |      | 503 55 39-01 | H      |      |              |        |      |
| 501 63 06-01 | L      |      | 503 42 08-02 | E      |      | 503 55 39-02 | H      |      |              |        |      |
| 501 66 61-01 | P      |      | 503 42 10-06 | C      |      | 503 55 41-01 | B      |      |              |        |      |
| 501 67 32-01 | K      |      | 503 42 12-02 | C      |      | 503 55 86-01 | Q      |      |              |        |      |
| 501 67 35-01 | K      |      | 503 42 13-01 | C      |      | 503 55 86-02 | Q      |      |              |        |      |
| 501 68 68-01 | G      |      | 503 42 14-01 | C      |      | 503 56 00-03 | H      |      |              |        |      |
| 501 69 17-01 | Q      |      | 503 42 24-01 | C      |      | 503 56 68-01 | C      |      |              |        |      |
| 501 76 83-04 | M      |      | 503 42 30-01 | L      |      | 503 57 89-01 | M      |      |              |        |      |
| 501 76 83-07 | M      |      | 503 42 43-01 | G      |      | 503 58 74-02 | G      |      |              |        |      |
| 501 76 83-13 | M      |      | 503 42 44-02 | M      |      | 503 62 02-03 | K      |      |              |        |      |
| 501 76 83-22 | G      |      | 503 42 45-02 | M      |      | 503 62 05-02 | K      |      |              |        |      |
| 501 81 16-06 | D      |      | 503 42 49-01 | M      |      | 503 62 12-01 | Q      |      |              |        |      |
| 501 81 48-01 | G      |      | 503 42 51-02 | N      |      | 503 62 49-01 | C      |      |              |        |      |
| 501 81 57-01 | G      |      | 503 42 58-02 | N      |      | 503 65 65-02 | C      |      |              |        |      |
| 501 81 99-01 | K      |      | 503 42 66-01 | G      |      | 503 71 37-06 | F      | N    |              |        |      |
| 501 91 14-01 | Q      |      | 503 42 67-01 | C      |      | 503 72 36-01 | C      |      |              |        |      |
| 502 10 31-01 | P      |      | 503 42 70-01 | K      |      | 503 73 39-01 | J      |      |              |        |      |
| 502 11 98-01 | P      |      | 503 42 75-02 | M      |      | 503 76 45-01 | C      |      |              |        |      |
| 502 51 67-01 | R      |      | 503 42 80-01 | M      |      | 503 76 69-09 | D      |      |              |        |      |
| 502 71 27-01 | R      |      | 503 42 82-01 | N      |      | 503 80 55-01 | E      |      |              |        |      |
| 502 71 31-01 | R      |      | 503 42 86-01 | E      | 2    | 503 81 37-01 | C      |      |              |        |      |
| 503 08 84-01 | P      |      | 503 42 87-02 | E      |      | 503 83 00-01 | L      |      |              |        |      |
| 503 10 87-01 | P      |      | 503 43 03-13 | M      |      | 503 83 01-01 | L      |      |              |        |      |
| 503 11 70-01 | P      |      | 503 43 14-01 | M      |      | 503 83 02-01 | B      |      |              |        |      |
| 503 11 71-01 | P      |      | 503 43 15-01 | H      |      | 503 84 16-02 | E      | N    |              |        |      |
| 503 11 75-01 | P      |      | 503 43 18-01 | H      |      | 503 84 18-02 | E      | N    |              |        |      |
| 503 11 77-01 | P      |      | 503 43 19-01 | L      |      | 503 84 20-01 | D      | N    |              |        |      |
| 503 14 29-02 | L      |      | 503 43 21-05 | L      | N    | 504 21 00-50 | P      |      |              |        |      |
| 503 14 51-01 | C      | N    | 503 43 23-01 | L      |      | 504 35 72-01 | M      |      |              |        |      |
| 503 16 40-01 | M      |      | 503 43 24-02 | M      |      | 504 65 42-03 | L      |      |              |        |      |
| 503 19 22-01 | P      |      | 503 43 25-03 | L      |      | 504 90 00-01 | R      |      |              |        |      |
| 503 20 02-10 | G,F,M  |      | 503 43 31-11 | D      |      | 504 90 00-02 | R      |      |              |        |      |
| 503 20 02-16 | A,B,G  |      | 503 43 37-01 | G      |      | 504 90 00-03 | R      |      |              |        |      |
| 503 20 02-20 | E      |      | 503 43 40-01 | H      |      | 504 90 00-04 | R      |      |              |        |      |
| 503 20 02-25 | A,G    |      | 503 43 44-01 | R      |      | 505 27 57-19 | G      |      |              |        |      |
| 503 20 02-30 | N      |      | 503 43 48-01 | M      |      | 505 30 36-61 | C      |      |              |        |      |
| 503 20 02-35 | N      |      | 503 43 49-01 | R      |      | 505 31 67-02 | P      |      |              |        |      |
| 503 20 02-45 | G      |      | 503 43 54-02 | F      |      | 505 31 67-07 | P      |      |              |        |      |
| 503 20 02-65 | G      |      | 503 43 55-01 | F      |      | 505 31 67-17 | P      |      |              |        |      |
| 503 20 03-20 | F      |      | 503 43 58-01 | A      |      | 505 31 67-21 | P      |      |              |        |      |
| 503 20 25-12 | G,K    |      | 503 43 60-01 | M      |      | 505 31 67-23 | P      |      |              |        |      |
| 503 20 25-16 | C      |      | 503 43 61-01 | A      |      | 505 31 67-31 | P      |      |              |        |      |
| 503 20 25-20 | K      |      | 503 43 65-01 | A      |      | 505 31 67-34 | P      |      |              |        |      |
| 503 20 32-16 | D      |      | 503 43 67-01 | A      |      | 506 02 83-01 | P      |      |              |        |      |
| 503 20 32-19 | D      |      | 503 43 69-01 | A      |      | 506 08 86-03 | J      |      |              |        |      |
| 503 20 32-42 | D      |      | 503 43 77-02 | E      |      | 506 09 31-01 | B      |      |              |        |      |
| 503 20 34-19 | L      |      | 503 43 83-01 | -      | 2    | 506 09 33-01 | B      |      |              |        |      |
| 503 21 06-22 | N      |      | 503 43 84-01 | C      |      | 506 09 34-04 | A      |      |              |        |      |
| 503 21 27-16 | L      |      | 503 43 91-01 | L      |      | 506 09 38-02 | A      |      |              |        |      |
| 503 21 28-06 | B      |      | 503 43 92-01 | B      |      | 506 09 44-06 | A      |      |              |        |      |
| 503 21 28-10 | L      |      | 503 44 32-01 | M      |      | 506 09 45-02 | A      |      |              |        |      |
| 503 22 00-01 | B,K    |      | 503 48 25-01 | P      |      | 530 03 50-15 | P      |      |              |        |      |

N = Ny detalj  
New part  
Neues teil  
Nouvelle piece  
Nueva pieza

2 = 503 43 83-01  
Packningssats  
Set of gaskets  
Dichtungssatz  
Jeu de joints  
Juego de juntas