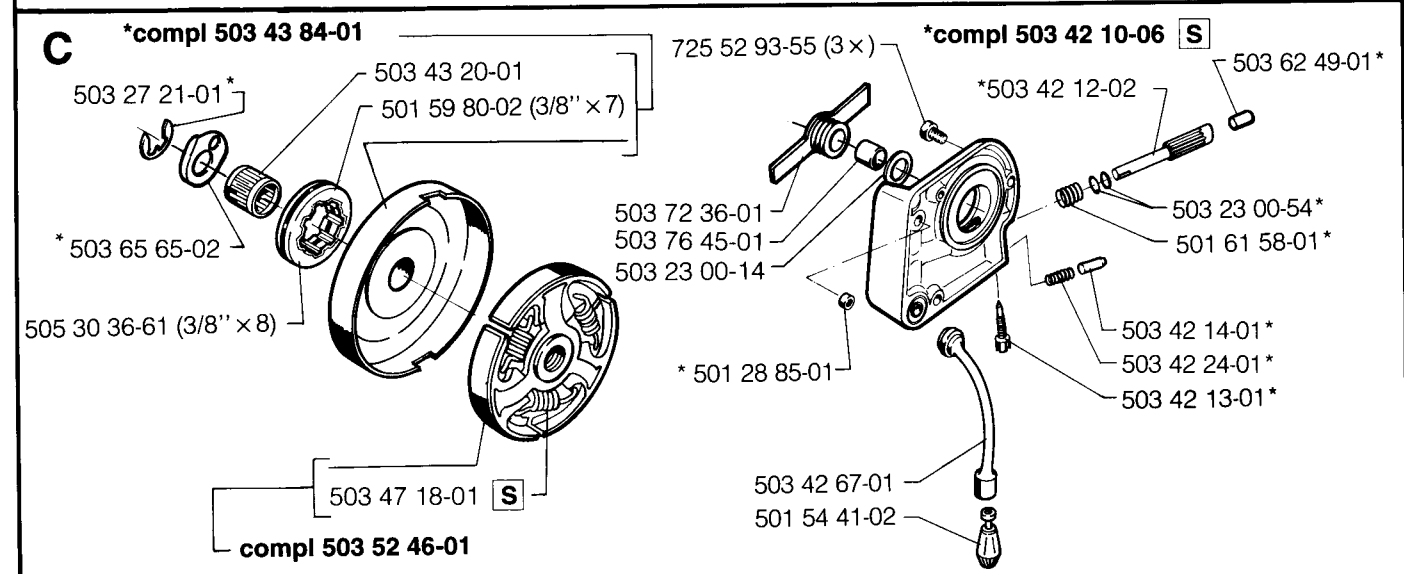
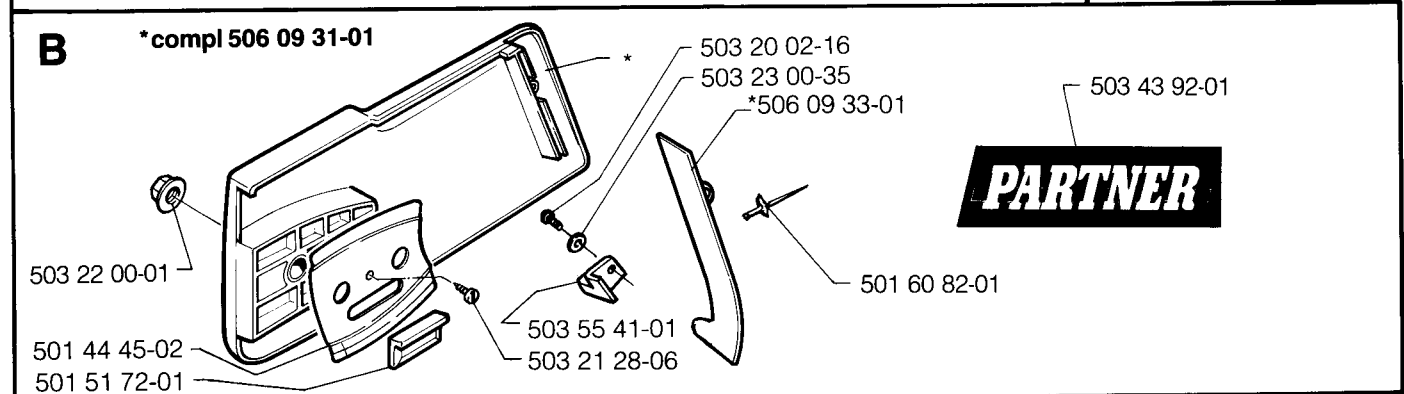
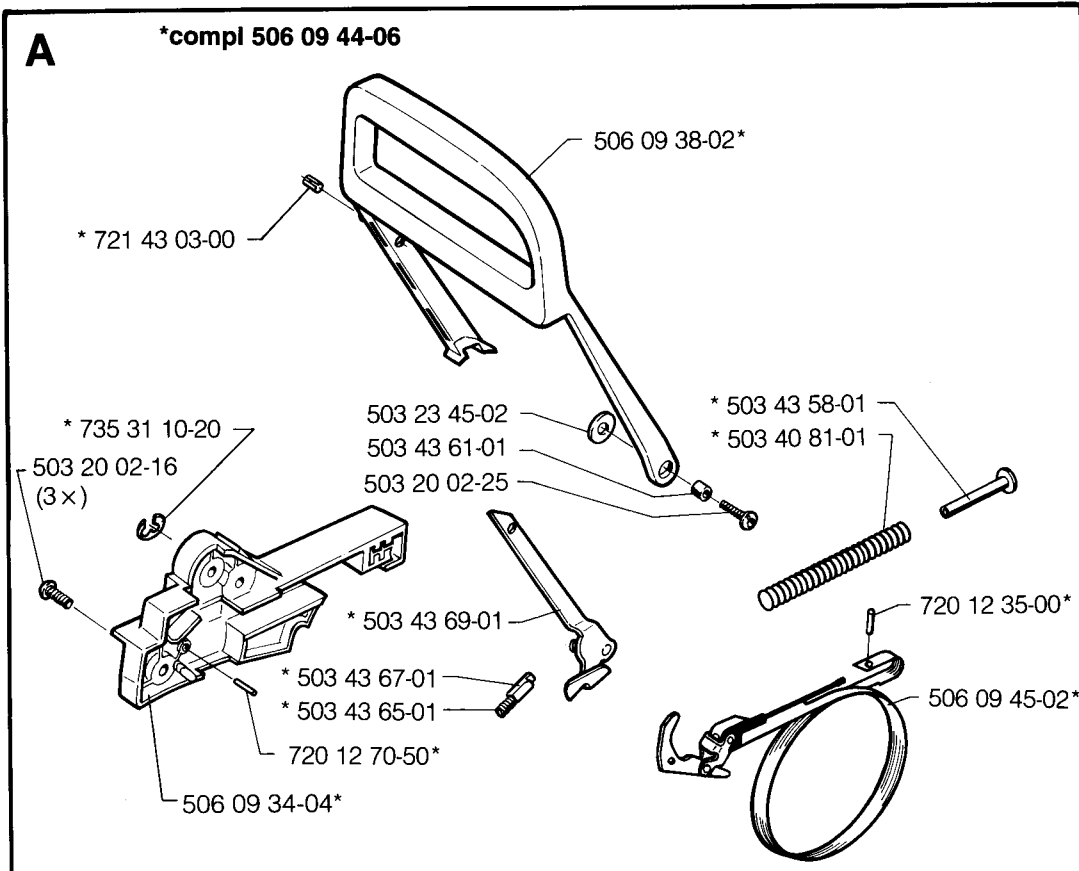
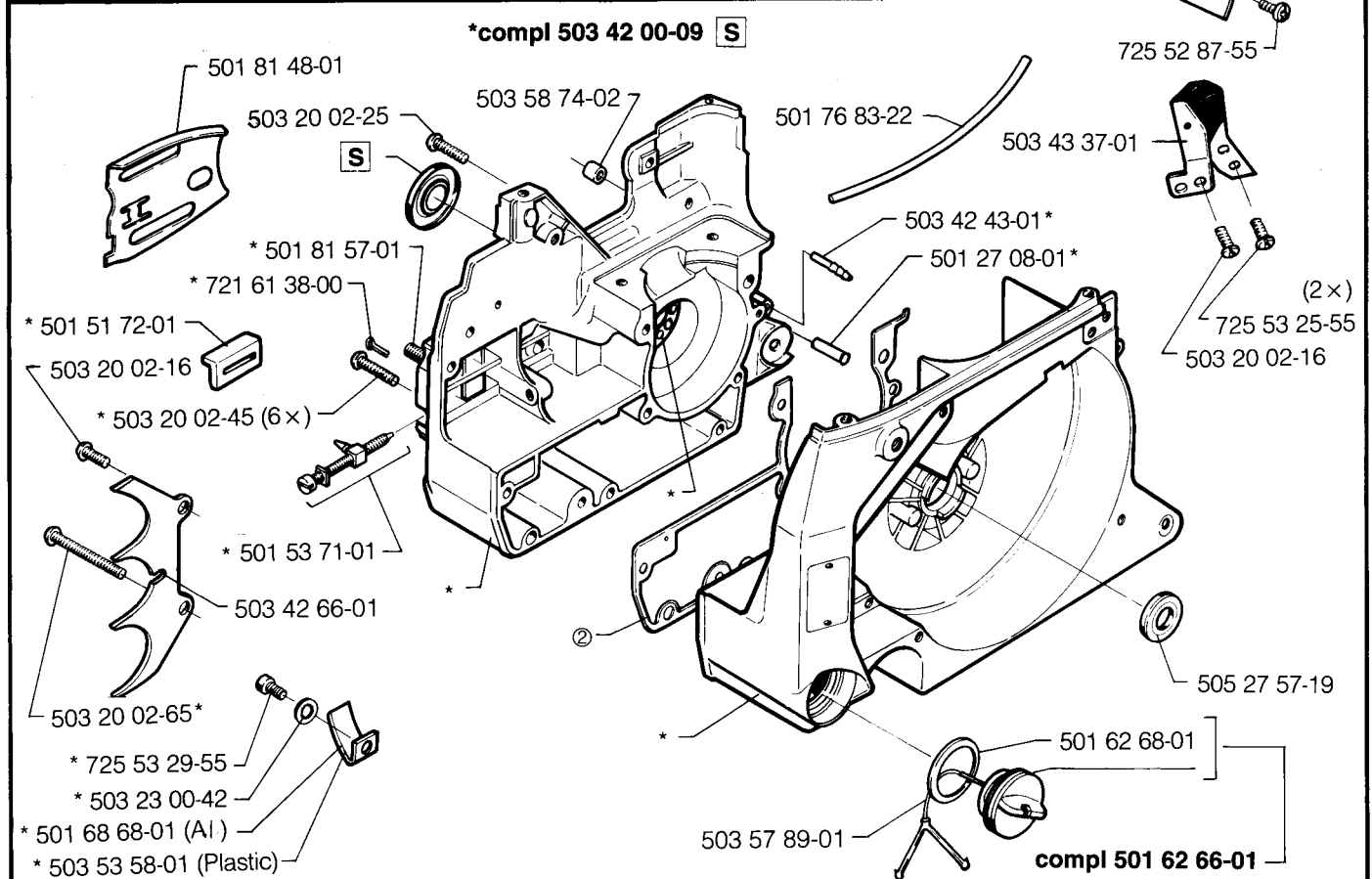
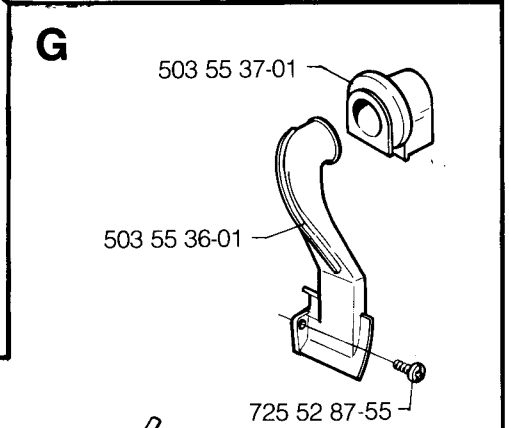
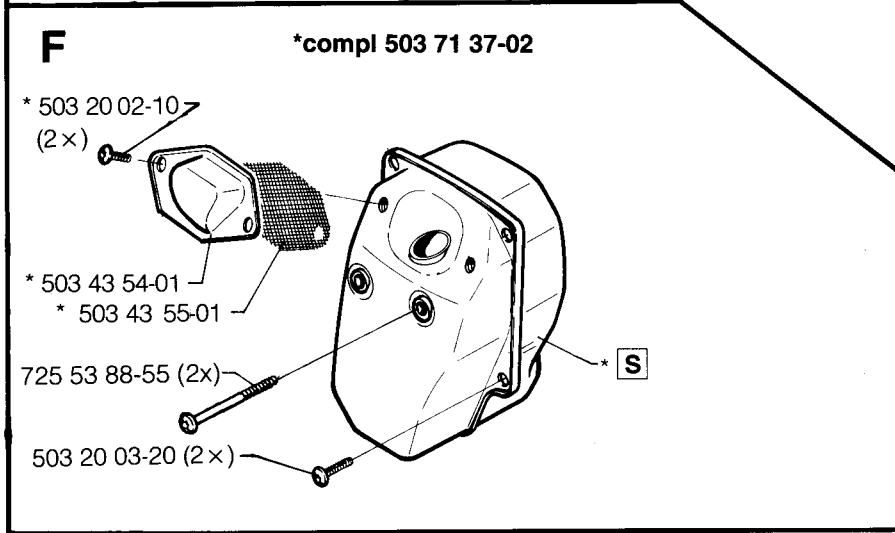
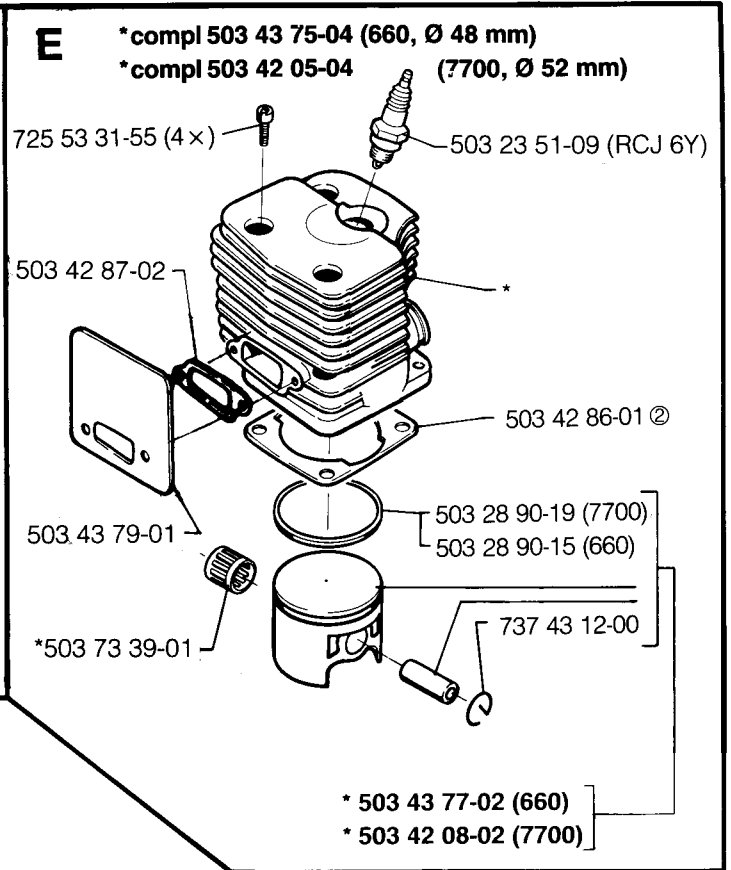
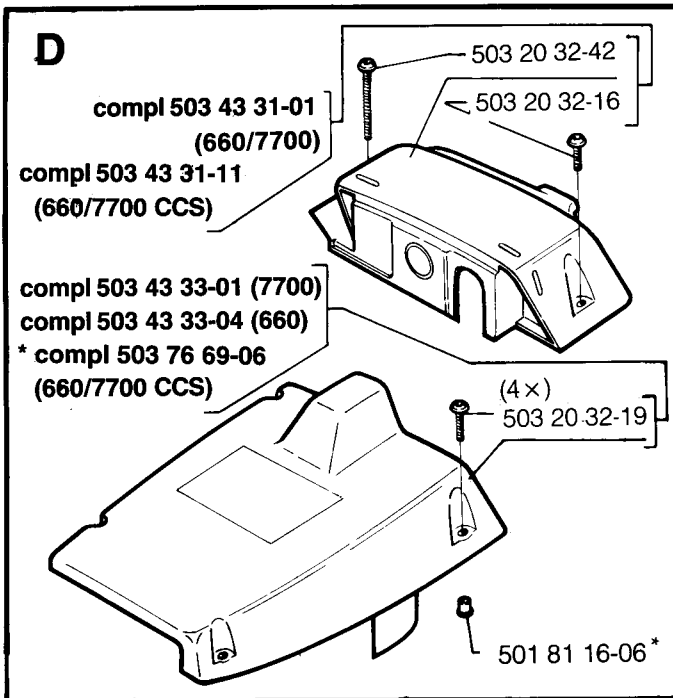
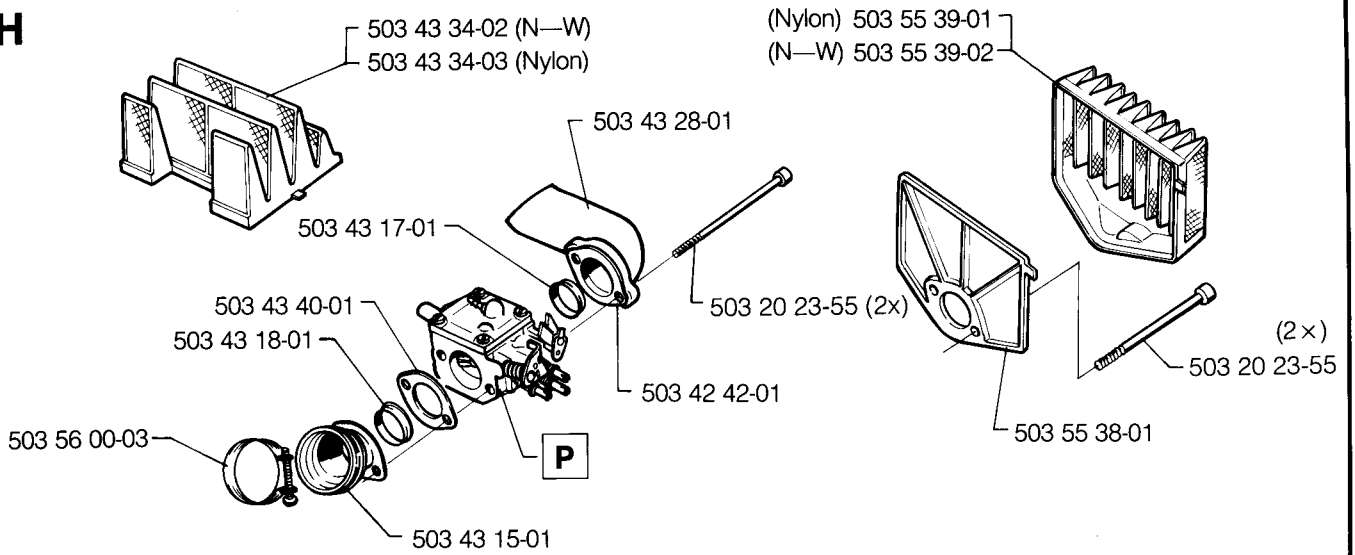
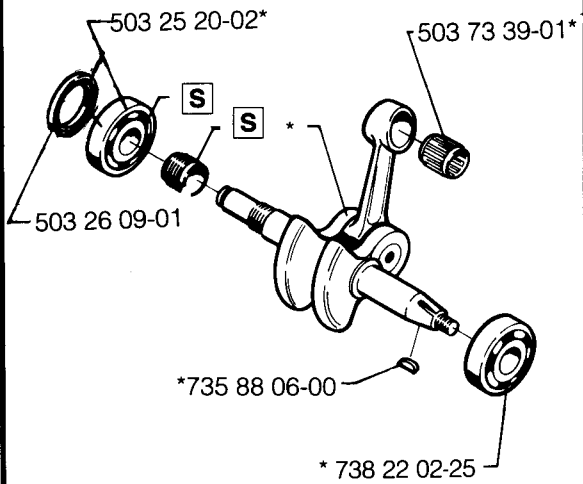
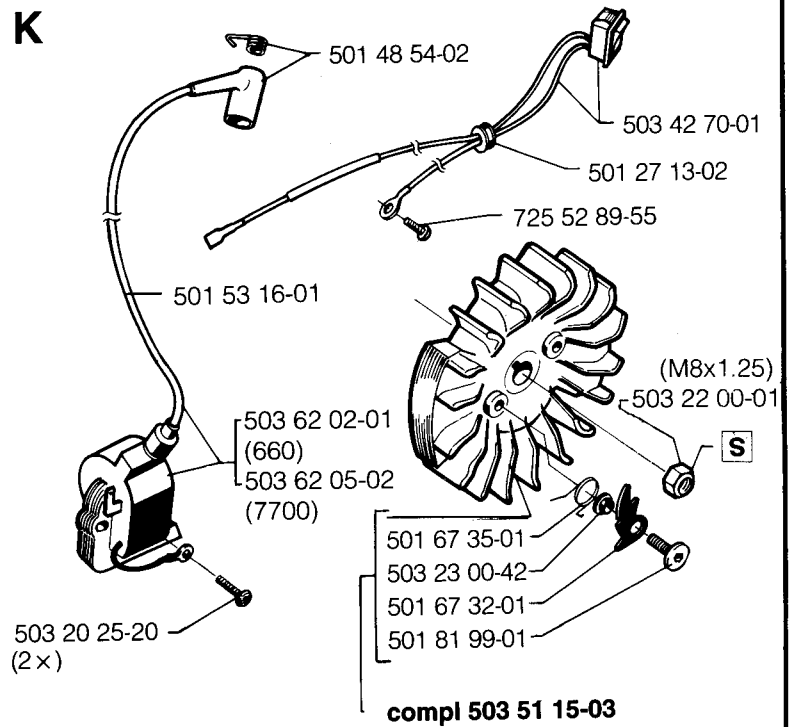
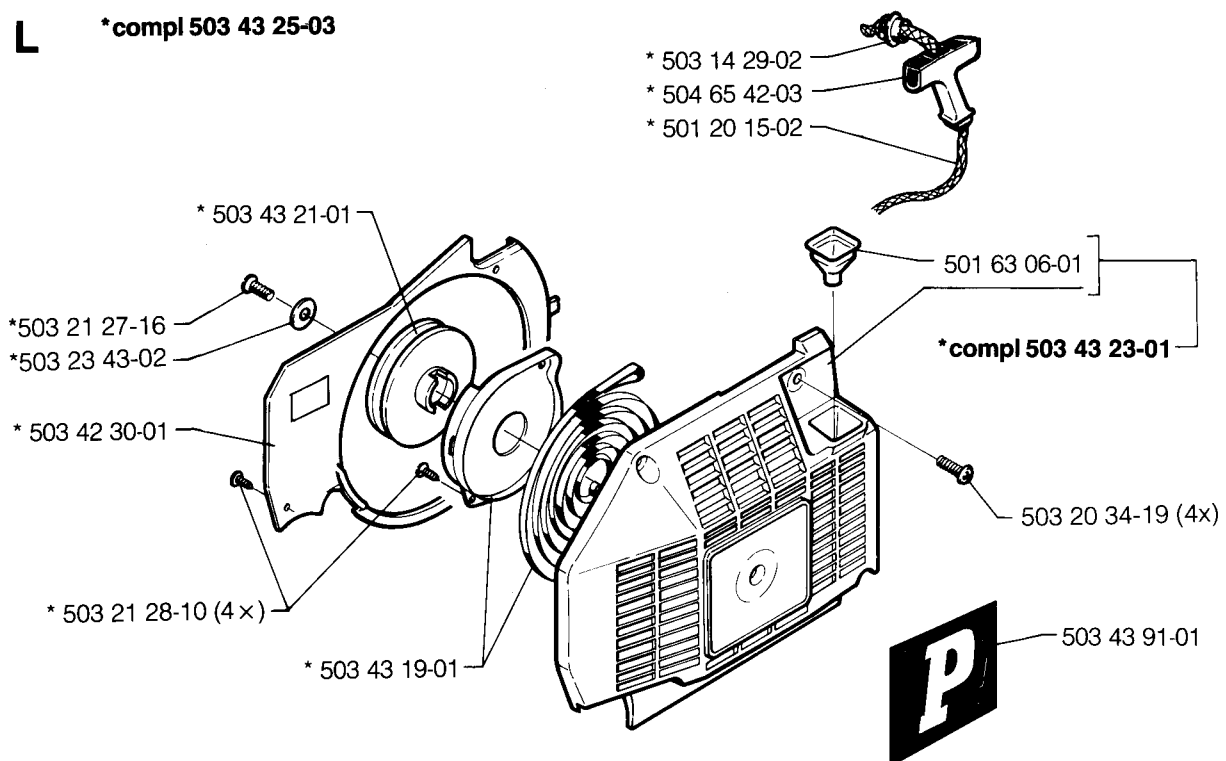


SPAREPARTS 107 24 39-64

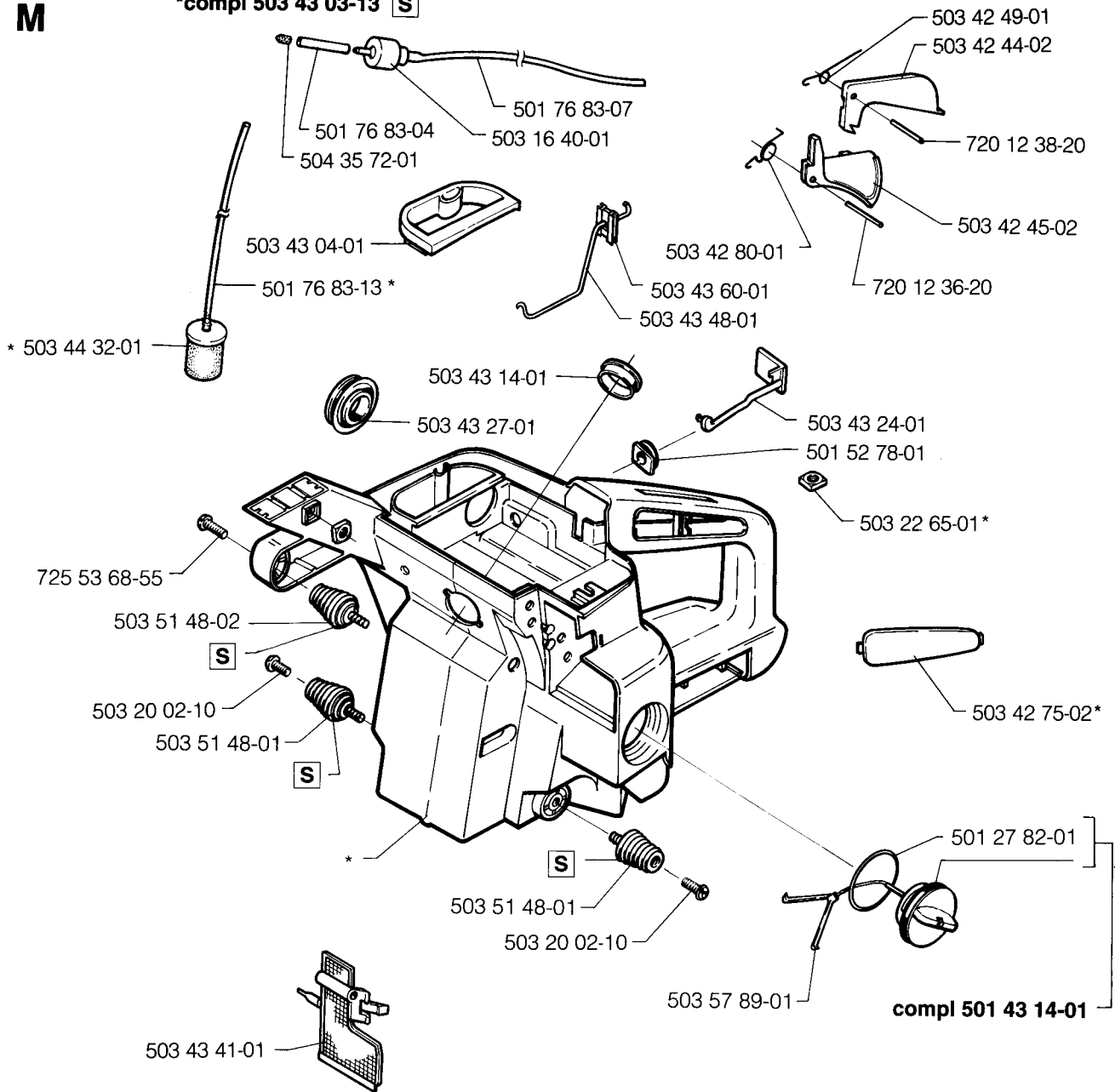




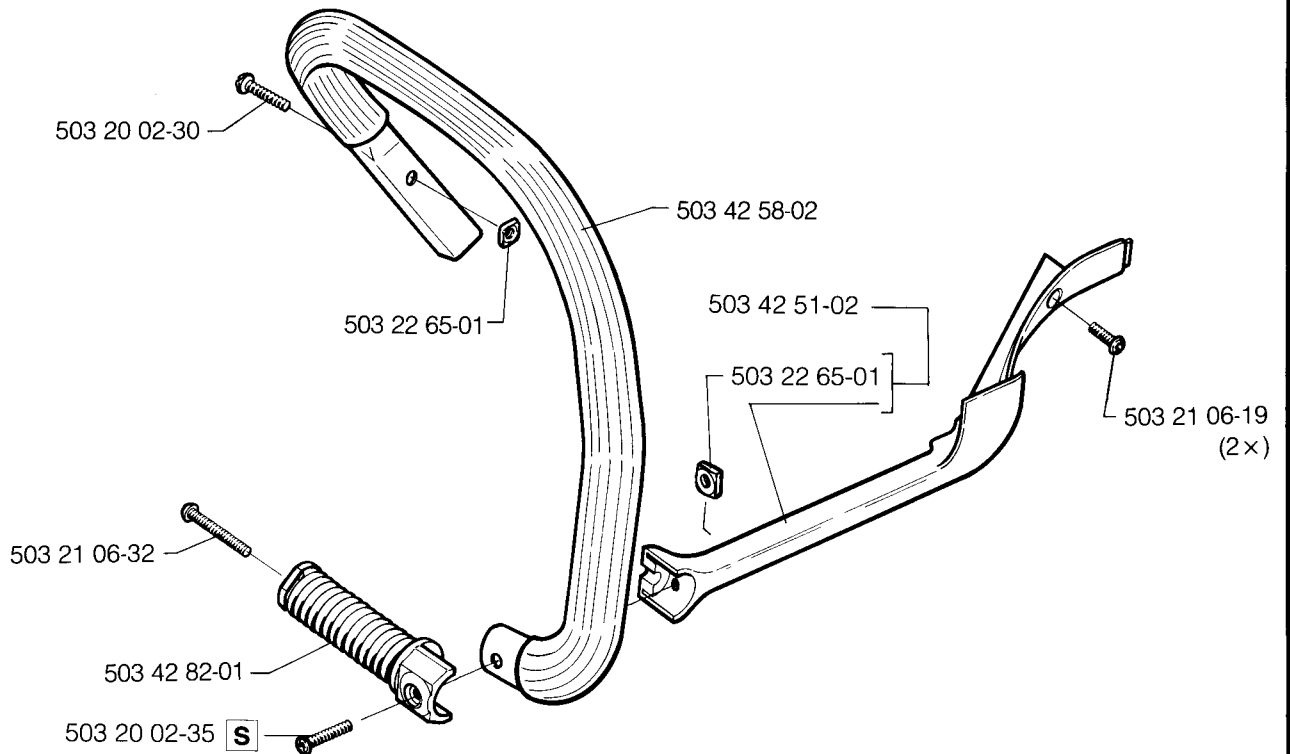
H**J*****compl 506 08 86-03** **S****K****L*****compl 503 43 25-03**

M

*compl 503 43 03-13 **S**



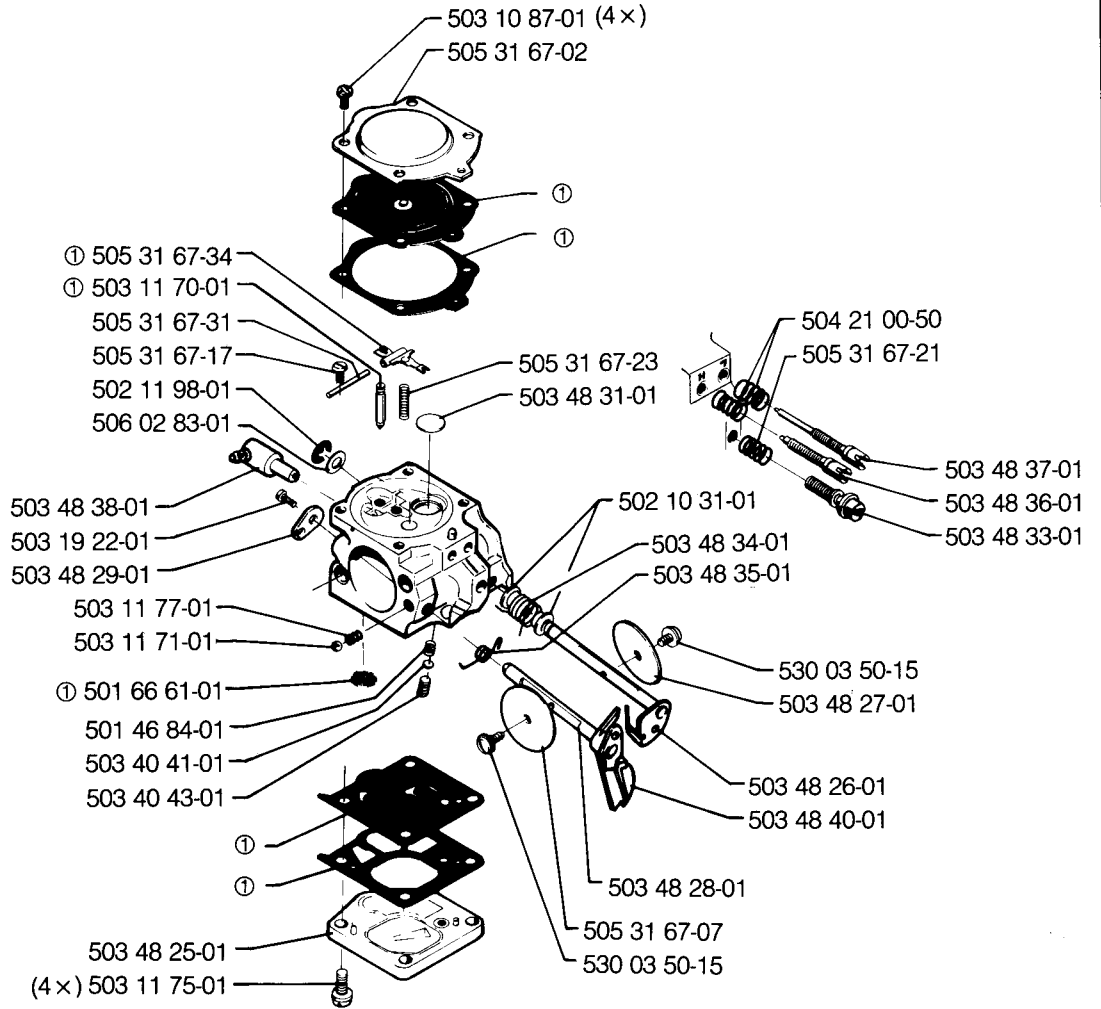
N



P

compl 503 28 12-09

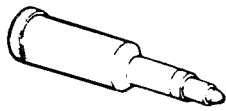
Walbro WJ 28 B



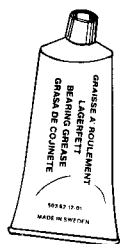
① 503 08 84-01
Packningssats
Set of gaskets
Dichtungssatz
Jeu de joints
Jeugo de junta

Q

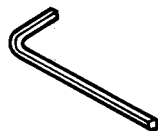
Tillbehör
Accessories
Zubehöre
Accessoires
Accesorios



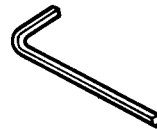
501 91 14-01



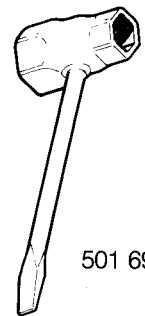
503 62 12-01



503 55 86-02 (5 mm)



503 55 86-01 (4 mm)

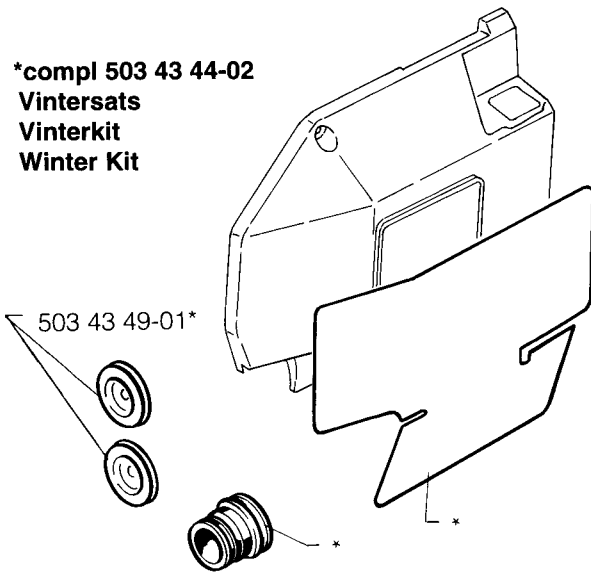


501 69 17-01

R

Leveras endast som reservdel
 Delivery as spare part only
 Nur als Ersatzteil lieferbar
 Livrable seulement comme pièce de rechange
 Solo como repuesto

*compl 503 43 44-02
 Vintersats
 Vinterkit
 Winter Kit

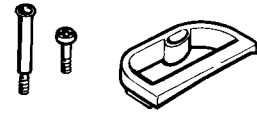


503 43 49-01*

503 42 41-01



501 60 02-02



compl 503 42 72-01
 Reparationssett filterkåpa
 Repair Kit filtercover
 Reparatonssett Luftfilterdeckel

502 51 67-01 TX 20

502 71 27-01 TX 25

502 71 31-01 TX 30



504 90 00-04 3mm

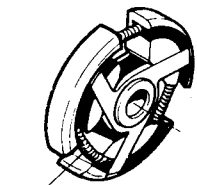
504 90 00-02 4mm

504 90 00-03 5mm

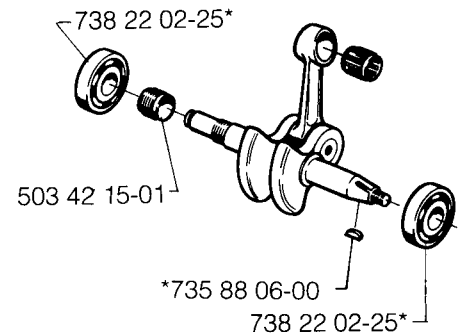
504 90 00-01 6mm

S

*compl 506 08 86-02 Serial number ≤ 4240001



503 56 04-01



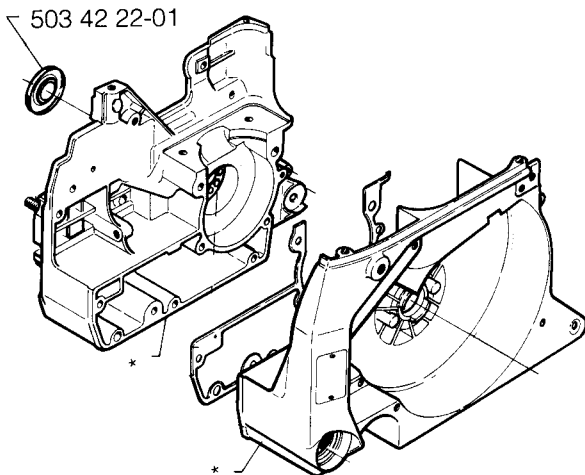
738 22 02-25*

503 42 15-01

*735 88 06-00

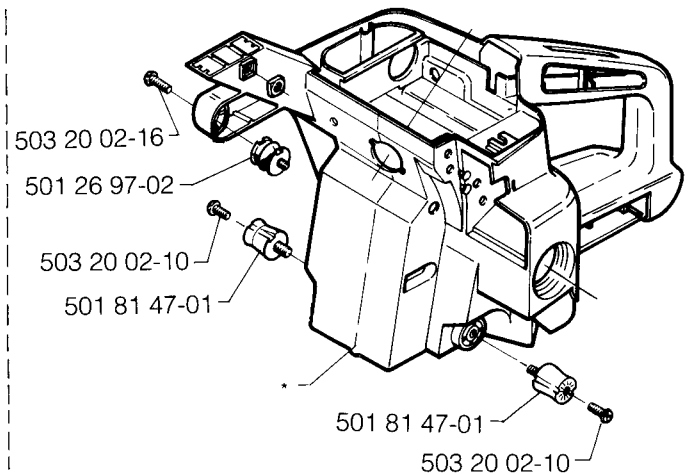
738 22 02-25*

*compl 503 42 00-03 Serial number ≤ 2160001
 *compl 503 42 00-05 Serial number ≤ 4240001



503 42 22-01

*compl 503 43 82-03 Serial number ≤ 2160001
 *compl 503 43 82-05 (CCS) Serial number ≤ 4240001



503 20 02-16

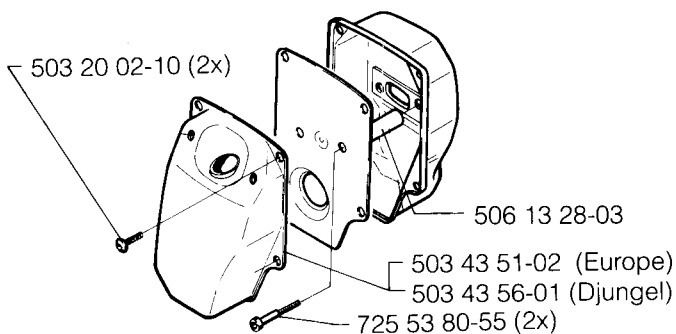
501 26 97-02

503 20 02-10

501 81 47-01

501 81 47-01

503 20 02-10



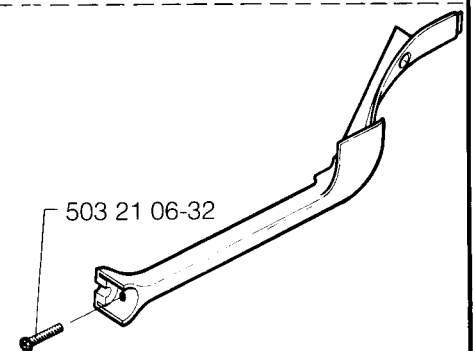
503 20 02-10 (2x)

506 13 28-03

503 43 51-02 (Europe)

503 43 56-01 (Djungel)

725 53 80-55 (2x)



503 21 06-32

MODEL NUMBER 660/7700

| PARTNUMBER | SQUARE | NOTE | PARTNUMBER | SQUARE | NOTE | PARTNUMBER | SQUARE | NOTE | PARTNUMBER | SQUARE | NOTE |
|--------------|---------|------|--------------|--------|------|--------------|--------|------|--------------|--------|------|
| 501 20 15-02 | L | | 503 22 00-01 | B,K | | 503 43 41-01 | M | | 504 90 00-02 | R | |
| 501 26 97-02 | S | | 503 22 65-01 | M,N | | 503 43 44-01 | R | | 504 90 00-03 | R | |
| 501 27 08-01 | G | | 503 23 00-14 | C | N | 503 43 48-01 | M | | 504 90 00-04 | R | |
| 501 27 13-02 | K | | 503 23 00-35 | B | N | 503 43 49-01 | R | | 505 27 57-19 | G | |
| 501 27 82-01 | M | N | 503 23 00-42 | G,K | | 503 43 51-02 | S | | 505 30 36-61 | C | |
| 501 28 85-01 | C | | 503 23 00-54 | C | | 503 43 54-01 | F | | 505 31 67-02 | P | |
| 501 43 14-01 | M | N | 503 23 43-02 | L | | 503 43 55-01 | F | | 505 31 67-07 | P | |
| 501 44 45-02 | B | N | 503 23 45-02 | A | | 503 43 56-01 | S | | 505 31 67-17 | P | |
| 501 46 84-01 | P | | 503 23 51-09 | E | N | 503 43 58-01 | A | | 505 31 67-21 | P | |
| 501 48 54-02 | K | | 503 25 20-02 | J | N | 503 43 60-01 | M | | 505 31 67-23 | P | |
| 501 51 72-01 | B,G | | 503 26 09-01 | J | N | 503 43 61-01 | A | | 505 31 67-31 | P | |
| 501 52 78-01 | M | | 503 27 21-01 | C | | 503 43 65-01 | A | | 505 31 67-34 | P | |
| 501 53 16-01 | K | | 503 28 12-09 | P | | 503 43 67-01 | A | | 506 02 83-01 | P | |
| 501 53 71-01 | G | | 503 28 90-15 | E | | 503 43 69-01 | A | | 506 08 86-02 | S | |
| 501 54 41-02 | C | | 503 28 90-19 | E | | 503 43 75-04 | E | | 506 08 86-03 | J | N |
| 501 59 80-02 | C | | 503 40 41-01 | P | | 503 43 77-02 | E | | 506 09 31-01 | B | |
| 501 60 02-02 | R | | 503 40 43-01 | P | | 503 43 79-01 | E | | 506 09 33-01 | B | |
| 501 60 82-01 | B | | 503 40 81-01 | A | | 503 43 82-03 | S | | 506 09 34-04 | A | N |
| 501 61 58-01 | C | | 503 42 00-03 | S | | 503 43 82-05 | S | | 506 09 38-02 | A | |
| 501 62 66-01 | G | N | 503 42 00-05 | S | | 503 43 83-01 | - | 2 | 506 09 44-06 | A | N |
| 501 62 68-01 | G | N | 503 42 00-09 | G | N | 503 43 84-01 | C | N | 506 09 45-02 | A | |
| 501 63 06-01 | L | | 503 42 05-04 | E | | 503 43 91-01 | L | | 506 13 28-03 | S | |
| 501 66 61-01 | P | | 503 42 08-02 | E | | 503 43 92-01 | B | | 530 03 50-15 | P | |
| 501 67 32-01 | K | | 503 42 10-06 | C | N | 503 44 32-01 | M | | 720 12 35-00 | A | |
| 501 67 35-01 | K | | 503 42 12-02 | C | | 503 47 18-01 | C | N | 720 12 36-20 | M | |
| 501 68 68-01 | G | | 503 42 13-01 | C | | 503 48 25-01 | P | | 720 12 38-20 | M | |
| 501 69 17-01 | Q | | 503 42 14-01 | C | | 503 48 26-01 | P | | 720 12 70-50 | A | |
| 501 76 83-04 | M | | 503 42 15-01 | S | | 503 48 27-01 | P | | 721 43 03-00 | A | |
| 501 76 83-07 | M | | 503 42 22-01 | S | | 503 48 28-01 | P | | 721 61 38-00 | G | |
| 501 76 83-13 | M | | 503 42 24-01 | C | | 503 48 29-01 | P | | 725 52 87-55 | G | |
| 501 76 83-22 | G | | 503 42 30-01 | L | | 503 48 31-01 | P | | 725 52 89-55 | K | |
| 501 81 16-06 | D | N | 503 42 41-01 | R | | 503 48 33-01 | P | | 725 52 93-55 | C | |
| 501 81 47-01 | S | | 503 42 42-01 | H | | 503 48 34-01 | P | | 725 53 25-55 | G | |
| 501 81 48-01 | G | | 503 42 43-01 | G | | 503 48 35-01 | P | | 725 53 29-55 | G | |
| 501 81 57-01 | G | | 503 42 44-02 | M | | 503 48 36-01 | P | | 725 53 31-55 | E | |
| 501 81 99-01 | K | | 503 42 45-02 | M | | 503 48 37-01 | P | | 725 53 68-55 | M | |
| 501 91 14-01 | Q | | 503 42 49-01 | M | | 503 48 38-01 | P | | 725 53 80-55 | S | |
| 502 10 31-01 | P | | 503 42 51-02 | N | | 503 48 40-01 | P | | 725 53 88-55 | F | N |
| 502 11 98-01 | P | | 503 42 58-02 | N | | 503 51 15-03 | K | N | 735 31 10-20 | A | |
| 502 51 67-01 | R | | 503 42 66-01 | G | | 503 51 48-01 | M | N | 735 88 06-00 | J,S | |
| 502 71 27-01 | R | | 503 42 67-01 | C | | 503 51 48-02 | M | N | 737 43 12-00 | E | |
| 502 71 31-01 | R | | 503 42 70-01 | K | | 503 52 46-01 | C | N | 738 22 02-25 | J,S | |
| 503 08 84-01 | P | | 503 42 72-01 | R | | 503 53 58-01 | G | | | | |
| 503 10 87-01 | P | | 503 42 75-02 | M | | 503 55 36-01 | G | | | | |
| 503 11 70-01 | P | | 503 42 80-01 | M | | 503 55 37-01 | G | | | | |
| 503 11 71-01 | P | | 503 42 82-01 | N | | 503 55 38-01 | H | | | | |
| 503 11 75-01 | P | | 503 42 86-01 | E | 2 | 503 55 39-01 | H | | | | |
| 503 11 77-01 | P | | 503 42 87-02 | E | N | 503 55 39-02 | H | | | | |
| 503 14 29-02 | L | | 503 43 03-13 | M | N | 503 55 41-01 | B | N | | | |
| 503 16 40-01 | M | | 503 43 04-01 | M | | 503 55 86-01 | Q | | | | |
| 503 19 22-01 | P | | 503 43 14-01 | M | | 503 55 86-02 | Q | | | | |
| 503 20 02-10 | F,M,S | | 503 43 15-01 | H | | 503 56 00-03 | H | | | | |
| 503 20 02-16 | A,B,G,S | | 503 43 17-01 | H | | 503 56 04-01 | S | | | | |
| 503 20 02-25 | A,G | | 503 43 18-01 | H | | 503 56 68-01 | C | | | | |
| 503 20 02-30 | N | | 503 43 19-01 | L | | 503 57 89-01 | M | N | | | |
| 503 20 02-35 | N | N | 503 43 20-01 | C | | 503 58 74-02 | G | | | | |
| 503 20 02-45 | G | | 503 43 21-01 | L | | 503 62 02-01 | K | | | | |
| 503 20 02-65 | G | | 503 43 23-01 | L | | 503 62 05-02 | K | | | | |
| 503 20 03-20 | F | | 503 43 24-01 | M | | 503 62 12-01 | Q | | | | |
| 503 20 23-55 | H | | 503 43 25-03 | L | | 503 62 49-01 | C | | | | |
| 503 20 25-20 | K | | 503 43 27-01 | M | | 503 65 65-02 | C | N | | | |
| 503 20 32-16 | D | | 503 43 28-01 | H | | 503 71 37-02 | F | N | | | |
| 503 20 32-19 | D | | 503 43 31-01 | D | | 503 72 36-01 | C | N | | | |
| 503 20 32-42 | D | | 503 43 31-11 | D | | 503 73 39-01 | J | N | | | |
| 503 20 34-19 | L | | 503 43 33-01 | D | | 503 76 45-01 | C | N | | | |
| 503 21 06-19 | N | | 503 43 33-04 | D | | 503 76 69-06 | D | N | | | |
| 503 21 06-32 | N | | 503 43 34-02 | H | | 504 21 00-50 | P | | | | |
| 503 21 27-16 | L | | 503 43 34-03 | H | | 504 35 72-01 | M | | | | |
| 503 21 28-06 | B | | 503 43 37-01 | G | | 504 65 42-03 | L | | | | |
| 503 21 28-10 | L | | 503 43 40-01 | H | | 504 90 00-01 | R | | | | |

N=NY DETALJ
 NEW PART
 NEUES TEIL
 NOUVLE PIECE
 NUEVA PIEZA

2-5034383-01
 PACKINGSSATS
 SET OF GASKETS
 DICHTUNGSSATZ
 JEU DE JOINTS
 JUEGA DE JUNTAS