

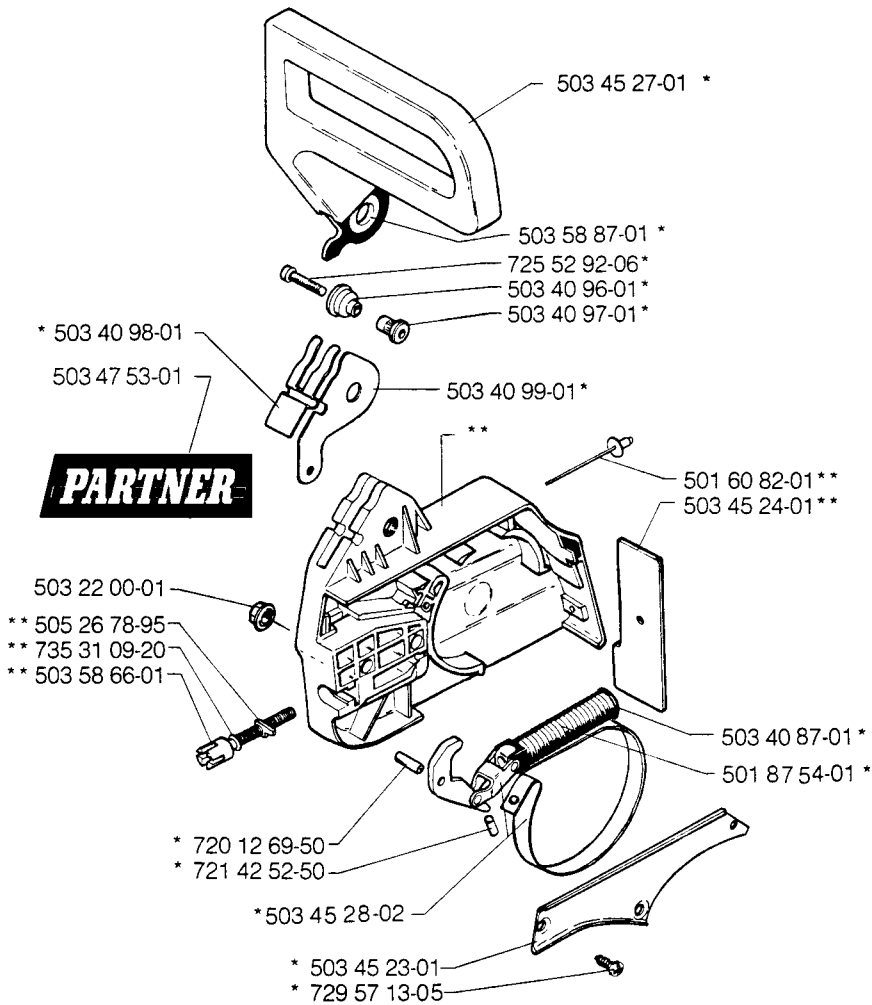
1
1990

9

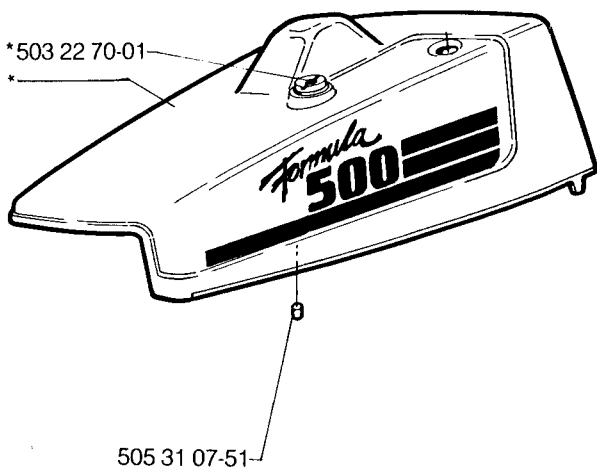
PARTNER 500

A

** 503 59 37-01
* compl 503 45 21-01

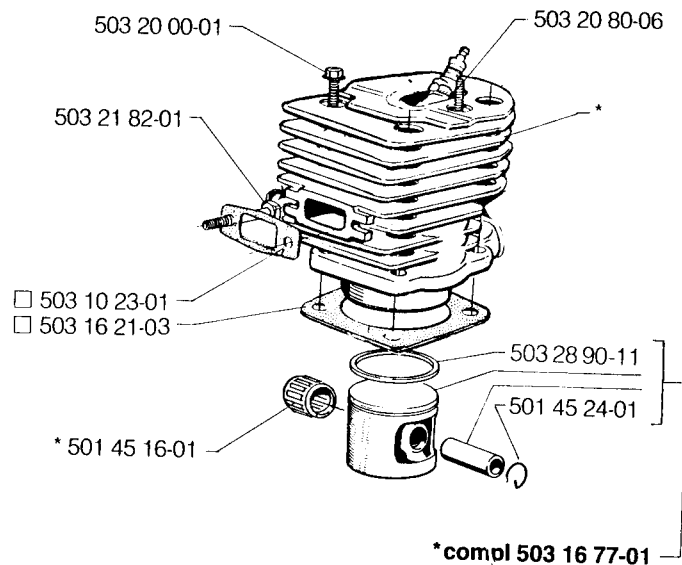


B * compl 503 6138-01

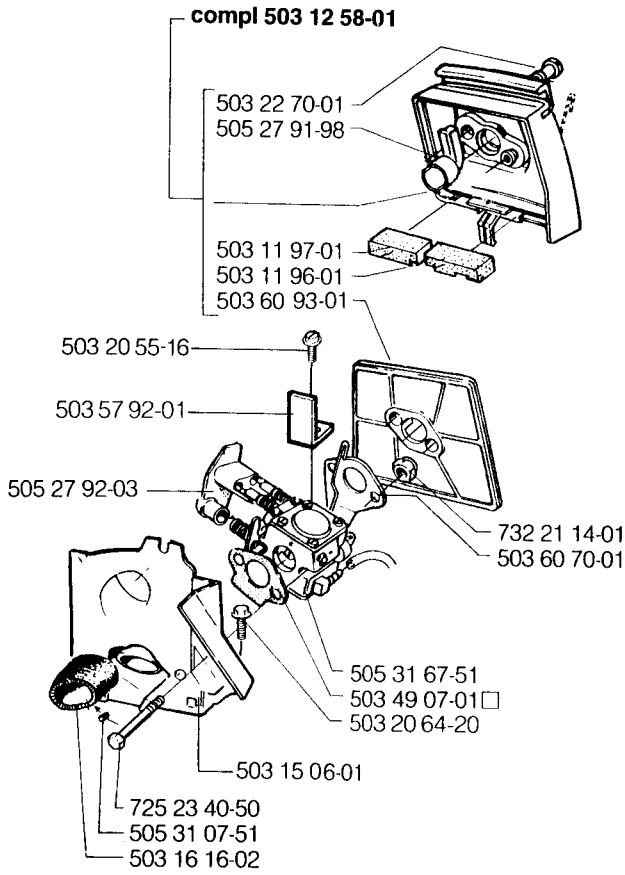


C

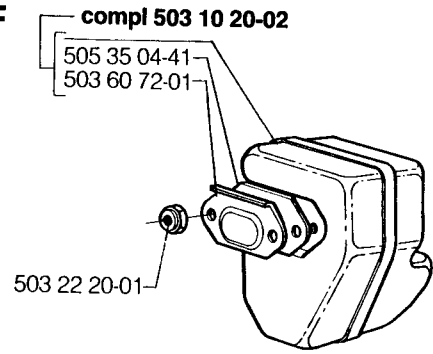
* compl 503 16 83-01



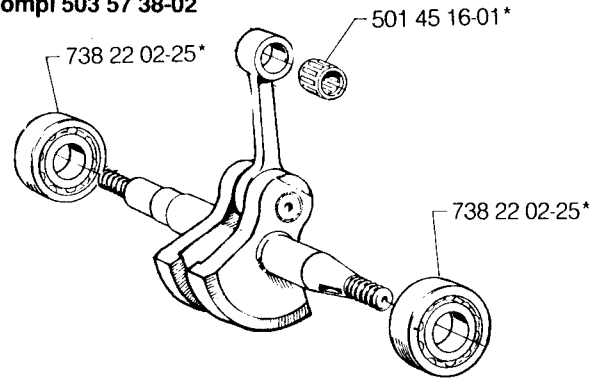
D



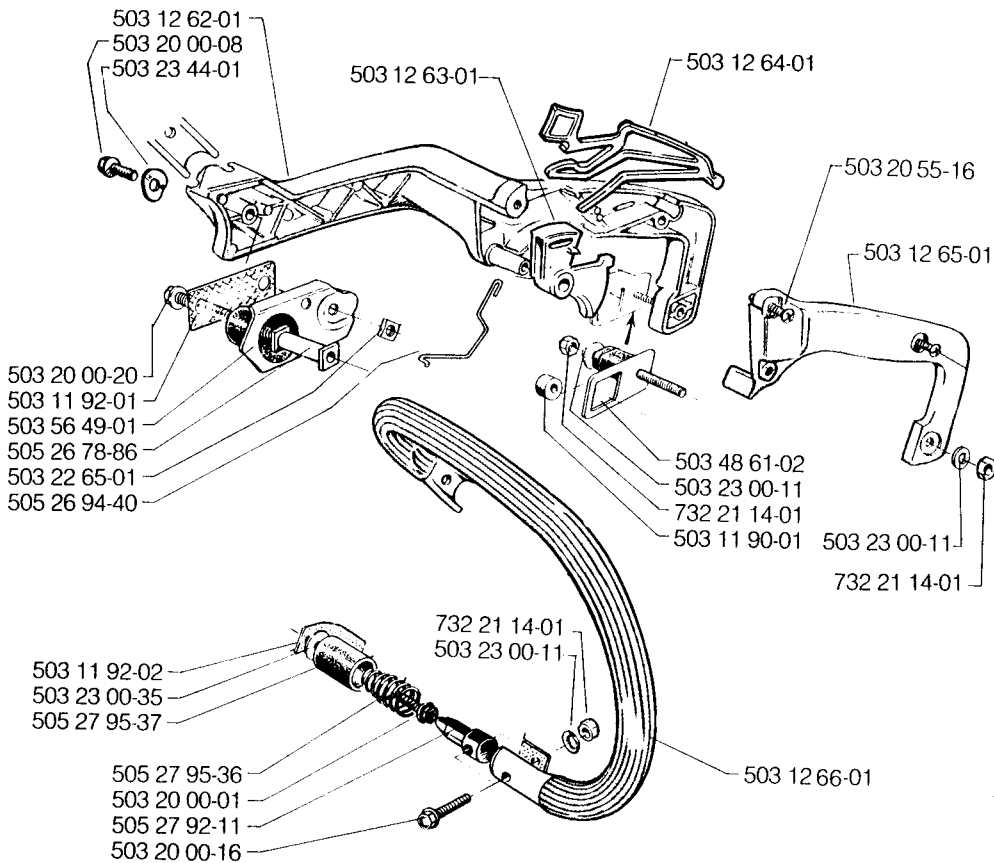
F



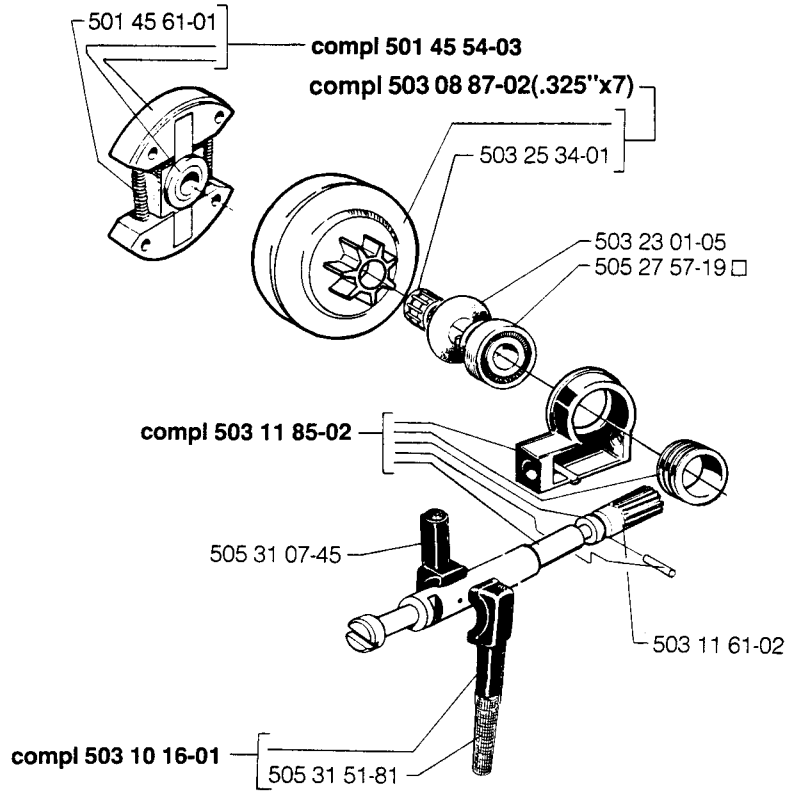
***compl 503 57 38-02**



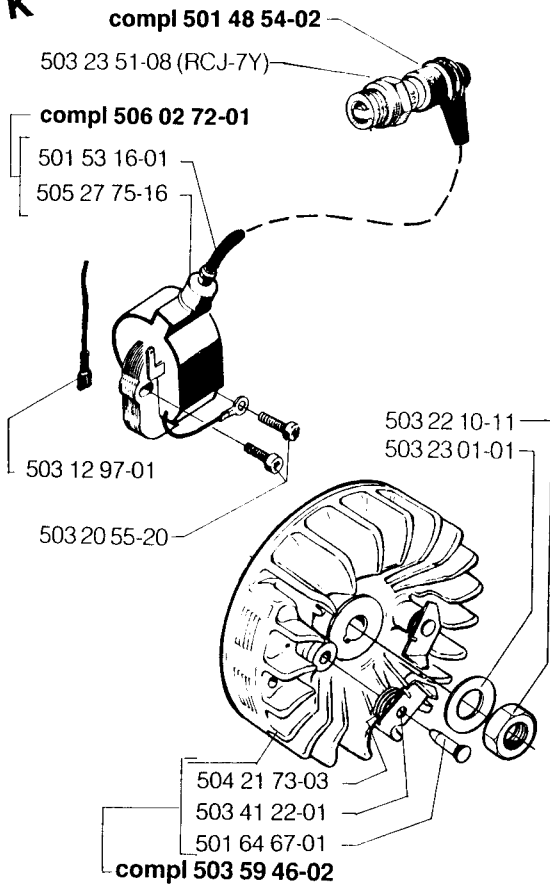
E



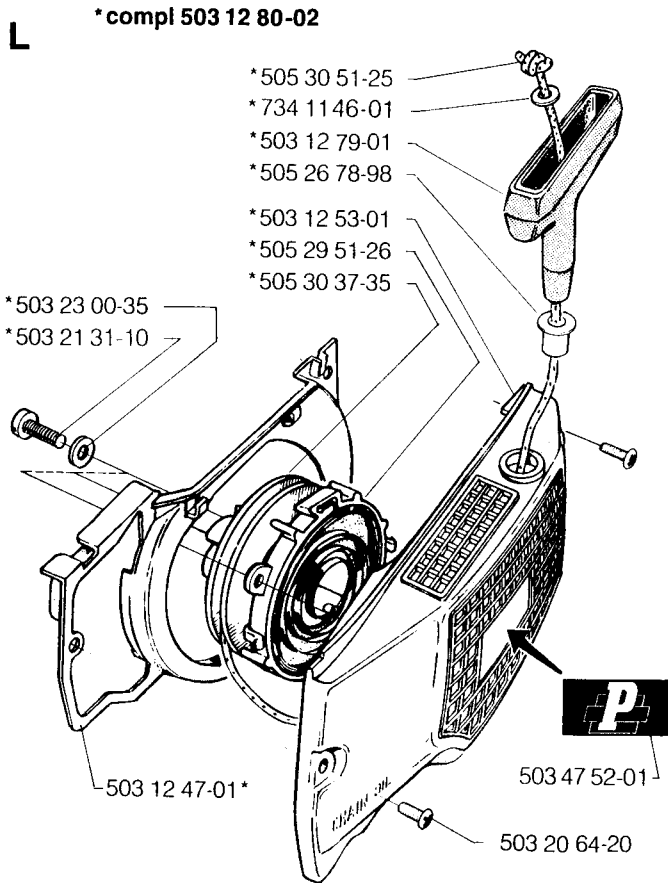
H



K



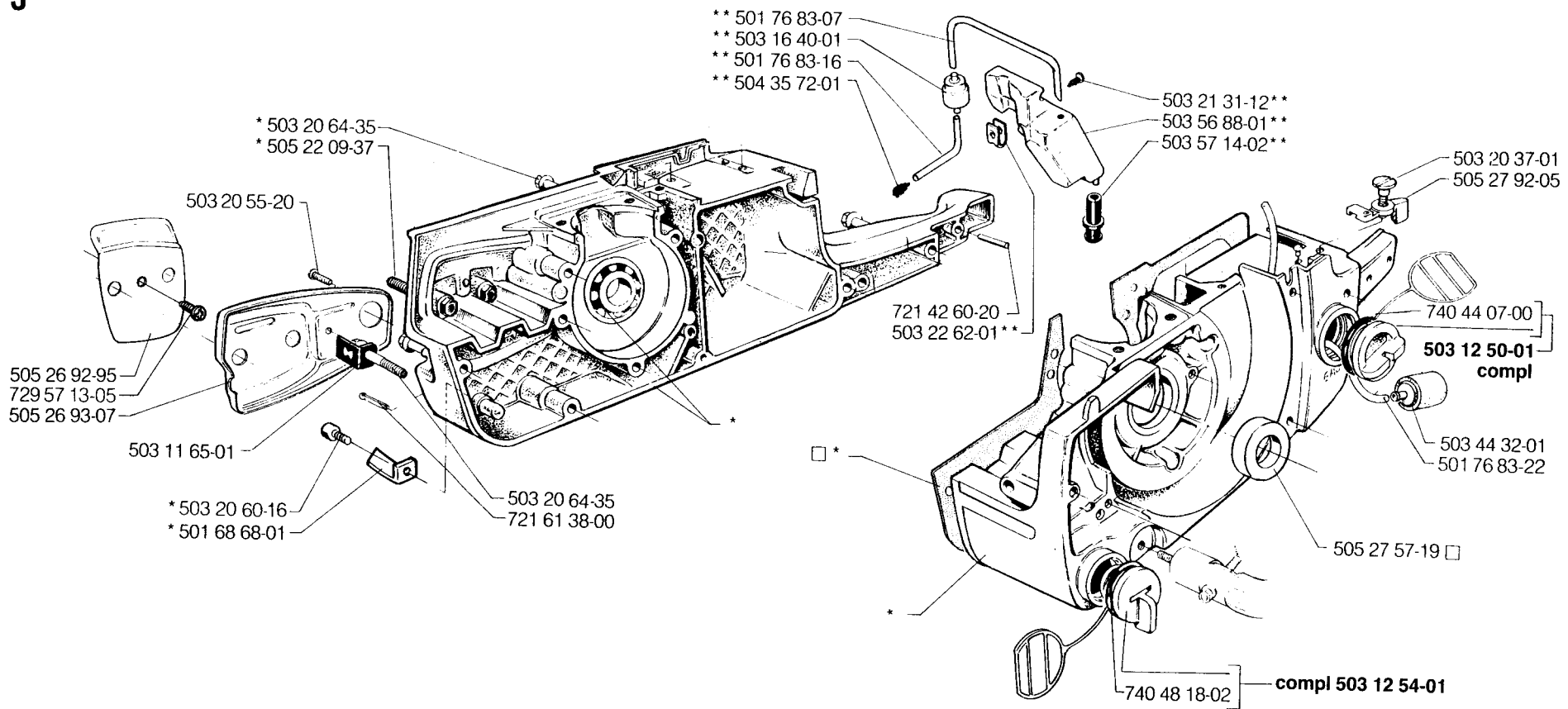
L



***compl 503 12 41-03**

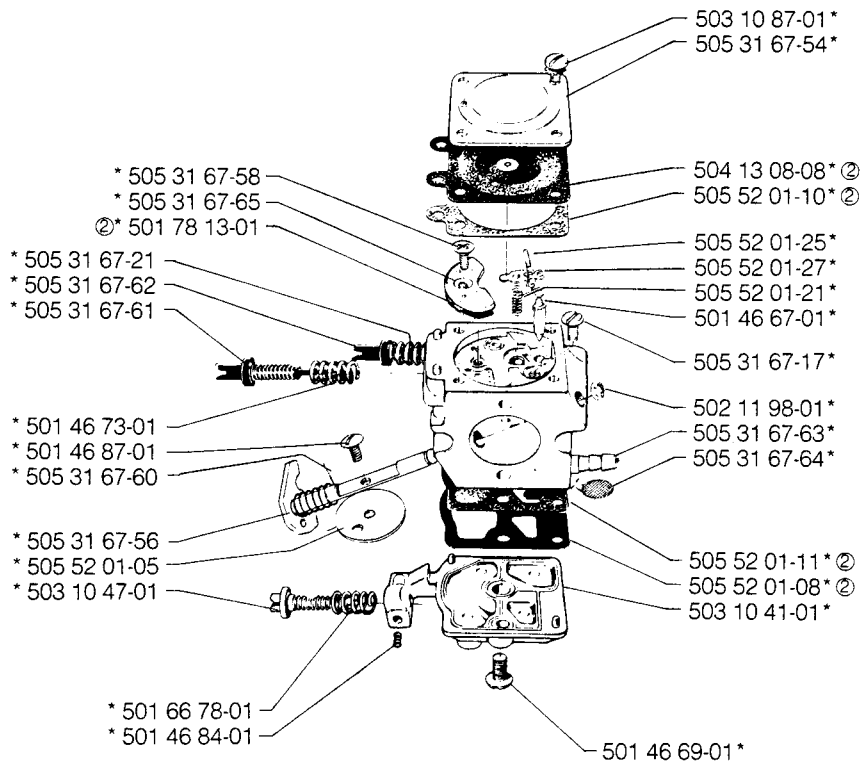
****compl 503 59 36-01**

J



M

* compl 505 31 67-51

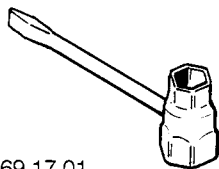
Walbro WA 82 A

② 505 52 01-31 Packningssats
Set of gaskets
Dichtungssatz
Jeu de joints
Juego de junta

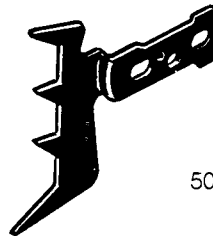
N

Tillbehör
Accessories
Zubehöre
Accessoires
Accesorios

501 69 17-01

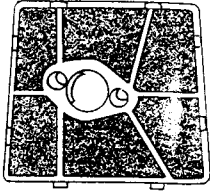


506 01 49-01

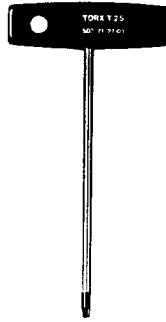


○ Levereras endast som reservdel
Delivery as spare part only
Nur als Ersatzteil lieferbar
Livrabte seulement comme pièce de rechange
Solo como repuesto

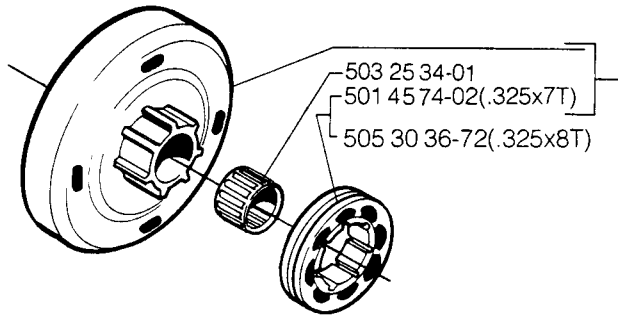
503 60 93-02 Robkoffok



502 71 27-01



compl 503 41 40-01



| Ref.nr. Ref.-No. Teil-Nr. N° de réf. N° ref. | Ruta Square Viereck Carreau Cuadro | Anm. Remark Vermerk Notes Observ. | Ref.nr. Ref.-No. Teil-Nr. N° de réf. N° ref. | Ruta Square Viereck Carreau Cuadro | Anm. Remark Vermerk Notes Observ. | Ref.nr. Ref.-No. Teil-Nr. N° de réf. N° ref. | Ruta Square Viereck Carreau Cuadro | Anm. Remark Vermerk Notes Observ. |
|--|--|---|--|--|---|--|--|---|
| 501 45 16-01 | C,G | | 503 20 37-01 | J | | 505 27 57-19 | H,J | |
| 501 45 24-01 | C | | 503 20 55-16 | D,E | | 505 27 75-16 | K | |
| 501 45 54-03 | H | | 503 20 55-20 | J,K | | 505 27 91-98 | D | |
| 501 45 61-01 | H | | 503 20 60-16 | J | | 505 27 92-03 | D | |
| 501 45 74-02 | O | Ⓝ | 503 20 64-20 | D,L | | 505 27 92-05 | J | |
| 501 46 67-01 | M | | 503 20 64-35 | J | | 505 27 92-11 | E | |
| 501 46 69-01 | M | | 503 20 80-06 | C | | 505 27 95-36 | E | |
| 501 46 73-01 | M | | 503 21 31-12 | J | | 505 27 95-37 | E | |
| 501 46 84-01 | M | | 503 21 82-01 | C | | 505 29 51-26 | L | |
| 501 46 87-01 | M | | 503 22 00-01 | A | | 505 30 36-64 | O | |
| 501 48 54-02 | K | | 503 22 10-11 | K | Ⓝ | 505 30 37-35 | L | |
| 501 53 16-01 | K | | 503 22 20-01 | F | | 505 30 51-25 | L | |
| 501 60 82-01 | A | | 503 22 62-01 | J | | 505 31 07-45 | H | |
| 501 64 67-01 | K | | 503 22 70-01 | B,D | | 505 31 07-51 | B,D | |
| 501 66 78-01 | M | | 503 23 00-11 | E | | 505 31 07-69 | J | |
| 501 68 68-01 | J | | 503 23 00-35 | E,L | | 505 31 51-81 | H | |
| 501 69 17-01 | N | | 503 23 01-01 | K | Ⓝ | 505 31 67-17 | M | |
| 501 76 83-07 | J | | 503 23 01-05 | H | | 505 31 67-21 | M | |
| 501 76 83-16 | J | | 503 23 44-01 | E | | 505 31 67-36 | M | |
| 501 76 83-22 | J | | 503 23 51-08 | K | | 505 31 67-51 | D,M | |
| 501 78 13-01 | M | | 503 25 34-01 | H,O | | 505 31 67-54 | M | |
| 501 87 54-01 | A | | 503 28 90-12 | C | | 505 31 67-56 | M | |
| 502 71 27-01 | O | | 503 40 87-01 | A | | 505 31 67-58 | M | |
| 503 08 87-02 | H | | 503 40 96-01 | A | | 505 31 67-60 | M | |
| 503 10 16-01 | H | | 503 40 97-01 | A | | 505 31 67-61 | M | |
| 503 10 20-02 | F | | 503 40 98-01 | A | | 505 31 67-62 | M | |
| 503 10 23-01 | C | | 503 40 99-01 | A | | 505 31 67-63 | M | |
| 503 10 41-01 | M | | 503 41 22-01 | K | | 505 31 67-64 | M | |
| 503 10 47-01 | M | | 503 41 40-01 | O | | 505 31 67-65 | M | |
| 503 10 87-01 | M | | 503 44 32-01 | J | | 505 35 04-41 | F | |
| 503 11 61-02 | H | | 503 45 21-01 | A | | 505 52 01-05 | M | |
| 503 11 65-01 | J | | 503 45 23-01 | A | | 505 52 01-08 | M | |
| 503 11 85-02 | H | | 503 45 24-01 | A | | 505 52 01-10 | M | |
| 503 11 90-01 | E | | 503 45 27-01 | A | | 505 52 01-11 | M | |
| 503 11 92-01 | E | | 503 45 28-02 | A | | 505 52 01-21 | M | |
| 503 11 96-01 | D | | 503 47 52-01 | L | Ⓝ | 505 52 01-25 | M | |
| 503 11 97-01 | D | | 503 47 53-01 | A | Ⓝ | 505 52 01-27 | M | |
| 503 12 08-02 | A | | 503 48 61-01 | E | | 505 52 01-31 | M | |
| 503 12 40-01 | J | | 503 49 07-01 | D | | 506 01 49-01 | N | |
| 503 12 41-03 | J | | 503 56 49-01 | E | | 506 02 72-01 | K | |
| 503 12 47-01 | L | | 503 56 88-01 | J | | 506 05 53-01 | J | |
| 503 12 50-01 | J | | 503 57 14-02 | J | | 720 12 69-50 | A | |
| 503 12 53-01 | L | | 503 57 38-02 | G | Ⓝ | 721 42 52-50 | A | |
| 503 12 54-01 | J | | 503 57 92-01 | D | | 721 42 60-20 | J | |
| 503 12 58-01 | D | | 503 58 66-01 | A | | 721 61 38-00 | J | |
| 503 12 61-01 | B | | 503 58 87-01 | A | | 725 23 40-50 | D | |
| 503 12 62-01 | E | | 503 59 37-01 | A | | 725 52 92-06 | A | |
| 503 12 63-01 | E | | 503 59 46-02 | K | Ⓝ | 729 57 13-05 | A | |
| 503 12 64-01 | E | | 503 60 70-01 | D | | 732 21 14-01 | E | |
| 503 12 65-01 | E | | 503 60 72-01 | F | | 734 11 46-01 | L | Ⓝ |
| 503 12 66-01 | E | | 503 60 93-01 | D | | 735 11 36-50 | E | |
| 503 12 79-01 | L | | 503 60 93-02 | O | | 735 31 09-20 | A | |
| 503 12 80-02 | L | | 503 61 37-01 | B | | 738 22 02-25 | G | |
| 503 12 97-01 | K | | 503 61 38-01 | B | | 740 44 07-00 | J | |
| 503 15 06-01 | D | | 504 13 08-01 | M | | 740 48 18-02 | J | |
| 503 15 37-01 | □ | | 504 21 73-03 | K | | | | |
| 503 16 16-02 | D | | 504 35 72-01 | J | | | | |
| 503 16 21-03 | C | | 505 22 09-37 | J | | | | |
| 503 16 40-01 | J | | 505 26 78-86 | E | | | | |
| 503 16 77-01 | C | | 505 26 78-95 | A | | | | |
| 503 16 83-01 | C | | 505 26 78-98 | L | | | | |
| 503 20 00-01 | C,E | | 505 26 96-07 | L | | | | |
| 503 20 00-08 | E | | 505 26 92-95 | J | | | | |
| 503 20 00-16 | E | | 505 26 93-07 | J | | | | |
| 503 20 00-20 | E | | 505 26 94-40 | E | | | | |

□ 503 15 37-01
Packningssats
Set of gaskets
Dichtungssatz
Jeu de joints
Juego de junta

Ⓝ Ny detalj
New part
Neues Teil
Nouvelle piece
Nueva pieza