

# Illustrated Parts List

**MODEL**

**99**

**McCULLOCH CHAIN SAW**

(#24785 99-12,884 June 1958 (3))

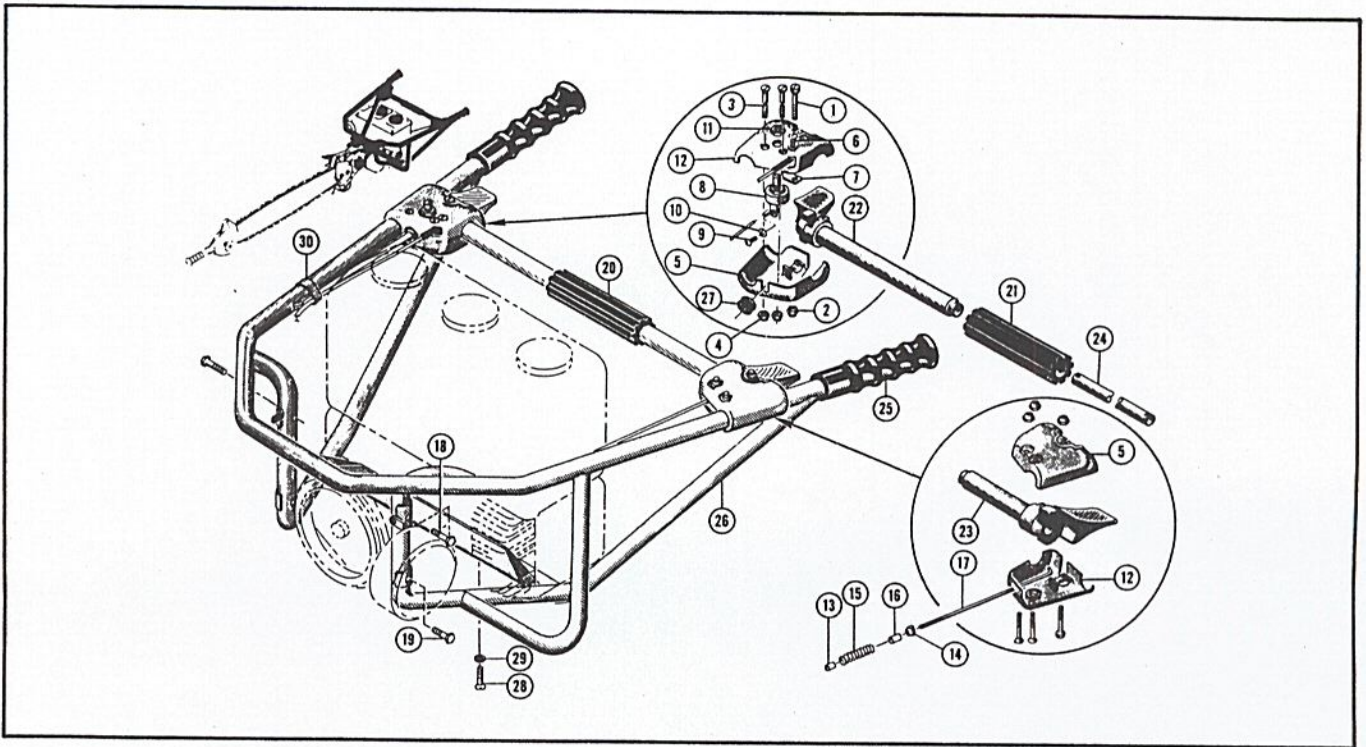
**McCULLOCH MOTORS CORPORATION**  
6101 West Century Blvd., Los Angeles 45, Calif.

## ILLUSTRATIONS

	Page
Figure 1. Frame and Control Assembly .....	2
Figure 2. Clamp Ring and Clutch Rotor Assemblies .....	3
Figure 3. Starter, Pawl and Sawdust Guard .....	4
Figure 4. Fuel and Oil Systems .....	6
Figure 5. Carburetor Assembly .....	8
Figure 6. Fan Housing, Muffler, Cylinder and Crankcase .....	10
Figure 7. Flywheel, Piston, Connecting Rod and Crankshaft .....	12
Figure 8. Ignition System .....	14
Figure 9. Transmission Assembly .....	16
Figure 10. Saw Blades, Spike and Outboard Helper Handles.....	18
Figure 11. Bow Saw and Chain Attachment .....	20
List of Accessories .....	21

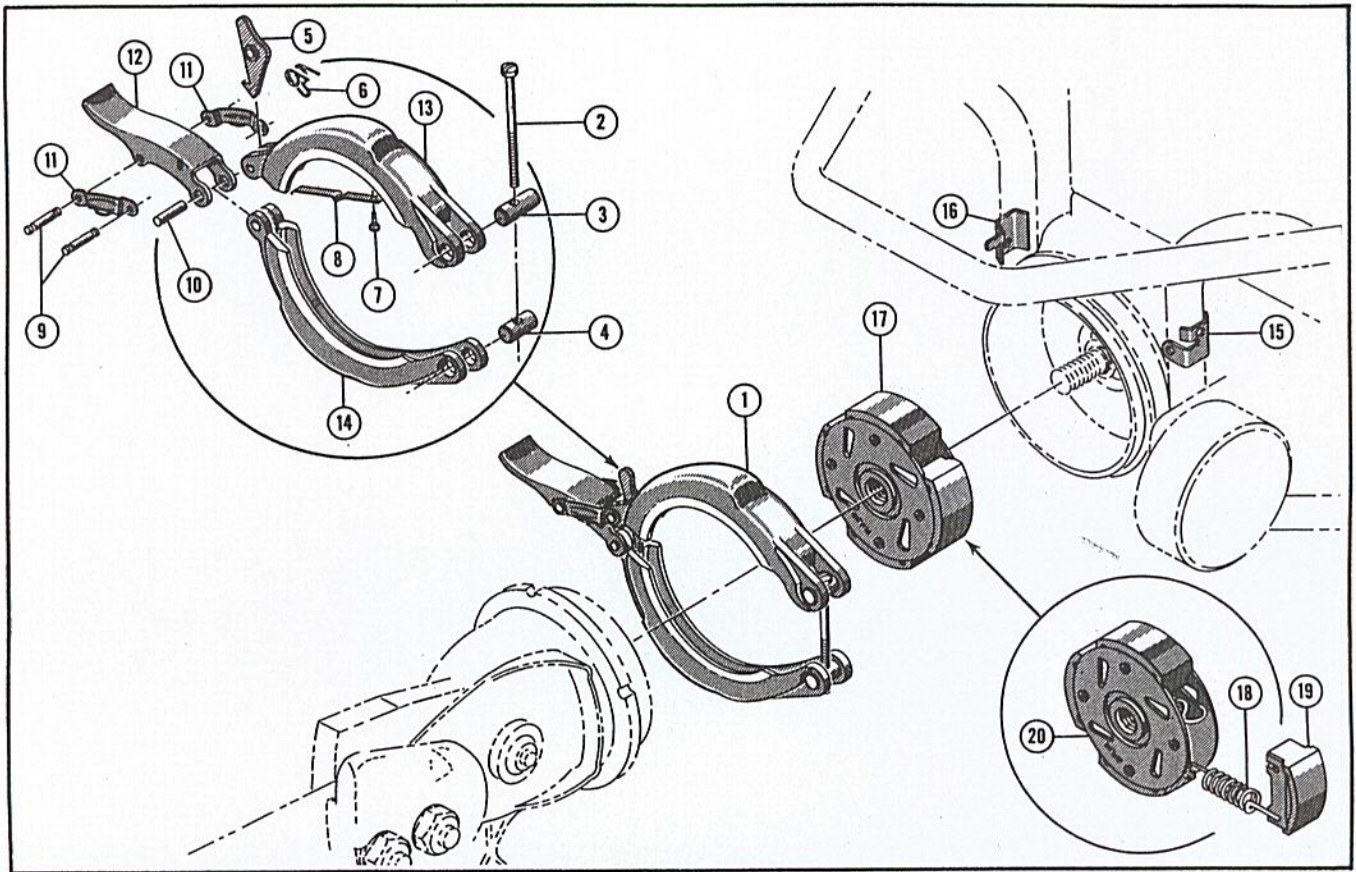
The following pages contain an illustrated parts list for the Model 99 Chain Saw. Due to small differences between saws, it is important that the Serial Number of your saw be included whenever spare parts are ordered. This will assure receiving the proper parts from your dealer.

NOTE: A complete parts price list is available upon request.



**FIGURE 1. FRAME AND CONTROL ASSEMBLY**

Index No.	Part Number	Nomenclature	Units per Assy
1	102292	Screw - Fil hd mach 1/4-20 x 1-1/2 in. lg	2
2	101143	Nut - Hex self locking 1/4-20	2
3	102132	Screw - Flat hd mach 10-24 x 1-3/4 in. lg	4
4	101191	Nut - Hex self locking	4
5	24593	Cover - Control lever (plain half)	2
6	101386	Screw - Oval hd mach, 10-24 x .62 in. lg	1
7	24547	Clamp - Boden wire	1
8	24541	Switch Assy - Ignition	1
9	101207	. Screw	1
10	100295	. Lockwasher - No. 6	1
11	101497	. Nut - Switch attaching	1
12	24594	Cover - Control lever (clamp half)	2
	24046B	Push Rod Assy - Oiler, Adjustable	1
13	24584	. Sleeve - Vinylite	1
14	102067	. Nut - Hex 10-24	1
15	24313	. Spring - Push Rod Oiler	1
16	24461	. Sleeve	1
17	24311A	. Push Rod - Oiler	1
18	102125	Screw - Hex hd cap 1/4-20 x 1-3/4 in. lg	2
19	102130	Screw - Hex hd cap 1/4-20 x 1-1/2 in. lg	2
	24631	Frame and Control Assembly	1
20	24157	. Lever and Grip Assembly - Throttle	1
21	18202A	. . Grip - Hand	1
22	24155	. . Lever Assembly - Throttle	1
23	24154	. Lever Assembly - Oil pump	1
24	24149	. Cross Bar	1
25	18207A	. Grip - Handle	2
26	24616	. Frame Assembly	1
27	101283	Grommet - Control lever clamp	1
28	102088	Screw - Flat hd mach 1/4-20 x 3/4 in. lg	2
29	101266	Washer - 1/4 in. countersunk	2
30	18909A	Clip - Throttle control	1



**FIGURE 2. CLAMP RING AND CLUTCH ROTOR ASSEMBLIES**

Index No.	Part Number	Nomenclature	Units per Assy
1	24450A	Clamp Ring Assembly.....	1
2	101927	. Screw - Fil hd .....	1
3	24451	. Pin - Pivot .....	1
4	24092	. Pin - Locking .....	1
5	24720	. Latch Assembly .....	1
6	24719	. Spring - Latch .....	1
7	101526	. Screw - Drive .....	1
8	24075	. Spring .....	1
9	24447	. Pin .....	2
10	102089	. Pin - Groove.....	1
11	24445	. Link.....	2
12	24446	. Lever - Clamp .....	1
13	24448A	. Clamp Ring - Locking half.....	1
14	24449A	. Clamp Ring - Lever half .....	1
15	24452	Bracket - Clamp ring locating .....	1
16	24453	Bracket - Clamp ring stop.....	1
17	24879	Rotor Assembly - Clutch .....	1
18	24143	. Spring - Clutch .....	4
19	24881	. Shoe - Clutch .....	4
20	24882	. Plate Assembly - Side.....	1

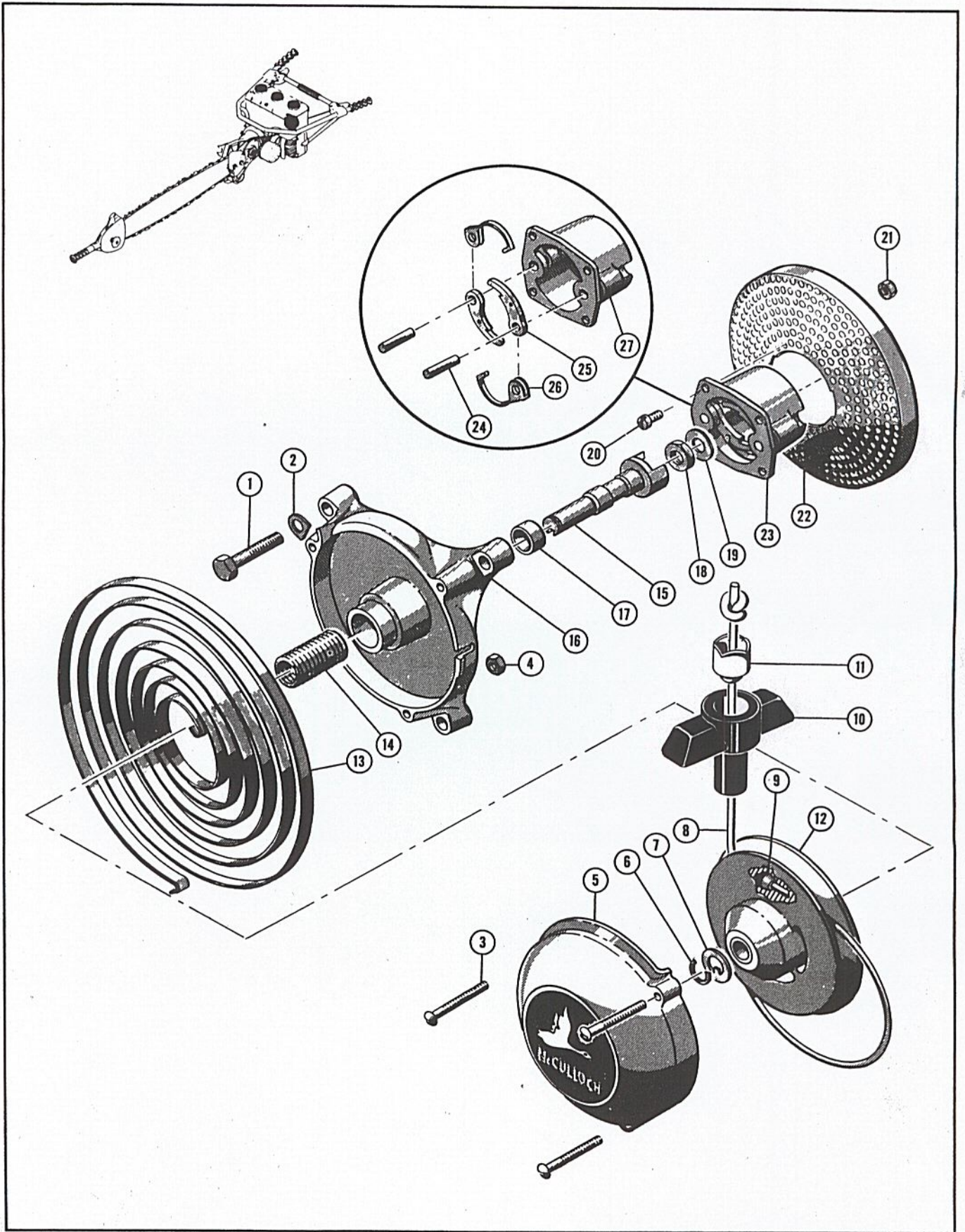


Figure 3. Starter, Pawl and Sawdust Guard

**FIGURE 3. STARTER, PAWL AND SAWDUST GUARD**

Index No.	Part Number	Nomenclature	Units per Assy
1	102128	Screw - Hex hd steel cap 1/4-20 x 1-1/4 in. lg .....	3
2	24394	Lock Plate .....	3
	18259A	Starter Assembly - Engine .....	1
3	102136	. Screw - Rd hd 10-32 x 1-1/2 in. lg .....	3
4	100703	. Nut - Hex 10-32 .....	3
5	18136A	. Cover - Rewind starter .....	1
6	101795	. Ring - Snap .....	1
7	24488	. Washer - Keyed .....	1
8	24827	. Rope - Starter .....	1
9	24819	. Anchor - Starter rope to drum .....	1
	24820	. Handle Assembly - Starter .....	1
10	24822	. Handle - Starter rope .....	1
11	24818	. Cup - Starter rope to handle .....	1
12	18873A	. Drum Assembly - Rewind starter .....	1
13	18773A	. Spring - Rewind .....	1
14	18141A	. Spring - Clutch .....	1
15	18140A	. Shaft - Starter .....	1
16	18213A	. Housing Assembly - Starter .....	1
17	100907	. Bearing - Housing .....	1
18	101179	Nut - Hex jam self-locking 7/16-20 .....	1
19	101270	Washer - Special .....	1
20	101988	Screw - Fil hd mach 10-24 x .38 in. lg .....	4
21	101191	Nut - Hex self-locking 10-24 .....	4
22	24007	Guard - Sawdust .....	1
23	24014	Pawl Assembly - Starter .....	1
24	101360	. Post - Starter pawl .....	2
25	24093	. Pawl - Starter .....	2
26	24119	. Spring - Starter pawl .....	2
27	24112	. Hub - Sawdust guard .....	1

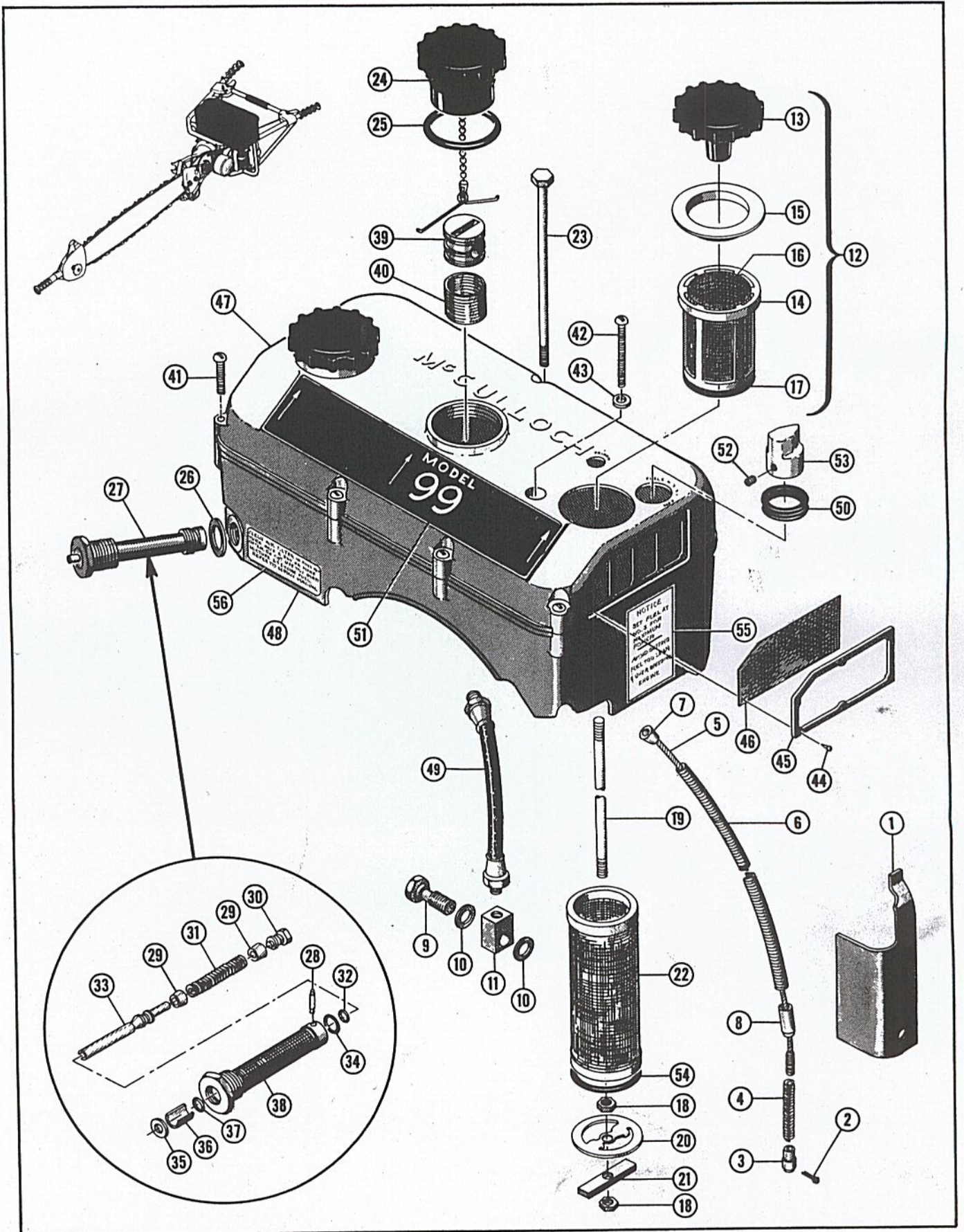


Figure 4. Fuel and Oil Systems

### FIGURE 4. FUEL AND OIL SYSTEMS

Index No.	Part Number	Nomenclature	Units per Assy
1	24050	Cover - Carburetor throttle.....	1
2	101901	Pin - Cotter.....	1
3	24036	Wire Assembly - Throttle.....	1
4	18360A	. Clevis - Throttle.....	1
5	18379A	. Spring - Throttle.....	1
6	24209	. Cable Assembly - Throttle.....	1
7	24090	. Casing.....	1
8	24177	. Tube - Anchor.....	1
9	18388A	. Sleeve.....	1
10	18521A	Bolt - Banjo.....	1
11	101150	Washer - Fiber.....	2
12	18531A	Fitting - Banjo fuel.....	1
13	24627	Pre-cleaner Assembly.....	1
14	24597	. Cover - Pre-cleaner.....	1
15	24599	. Body - Pre-cleaner.....	1
16	24598	. Flange - Pre-cleaner.....	1
17	24596	. Screen - Pre-cleaner.....	1
18	24437	. Seal - Air cleaner.....	1
19	101191	Nut - Hex self locking 10-24.....	2
20	24438	Through Bolt - Air filter.....	1
21	24439	Retainer - Through bolt.....	1
22	24440	Anchor - Through bolt.....	1
23	18937C	Cleaner - Air filter.....	1
24	102384	Screw - Hex hd cap 1/4-20 x 5-1/2 in. lg.....	1
25	24613	Cap Assembly - Fuel.....	2
26	101348	. "O" Ring - Filler Cap.....	1
27	24629A	Tank, Pump and Line Assembly - Fuel.....	1
28	24120	. Gasket - Oil pump.....	1
29	24055A	. Pump Assembly - Oil.....	1
30	24106	. Pin - Pump.....	1
31	24104	. Cup - Packing.....	2
32	24105A	. Plug - Pump.....	1
33	28215	. Spring - Pump.....	1
34	101258	. Packing - "O" ring.....	1
35	24103A	. Plunger - Pump.....	1
36	101218	. Packing - "O" ring.....	1
37	100950	. Washer - Pump.....	1
38	24108	. Seal - Pump plunger.....	1
39	101056	. Packing - "O" ring.....	1
40	24193	. Body Assembly - Pump.....	1
41	24628	. Tank Assembly - Fuel.....	1
42	18389A	. Body - Fuel strainer.....	1
43	18390A	. Screen - Fuel strainer.....	1
44	101951	. Screw - Pan hd 10-24 x 1 in. lg.....	8
45	102385	. Screw - Pan hd 10-24 x 2 in. lg self tapping.....	1
46	24236	. Washer - Special No. 10.....	1
47	101526	. Screw - Drive.....	6
48	24607	. Frame - Fuel tank screen.....	1
49	24608	. Screen - Fuel tank.....	1
50	24606	. Fuel Tank Assembly - Top.....	1
51	24054	. Fuel Tank Assembly - Bottom.....	1
52	101271	. Line - Fuel (5-3/4 in. lg).....	1
53	24697	. Grommet - Fuel control rod.....	1
54	24614	Plate - Name.....	1
55	102276	Screw - Socket set 1/4-20 x 1/4 in. lg.....	1
56	24590	Knob - Fuel control.....	1
	24437	Seal - Air cleaner.....	1
	24399	Decal - Fuel control.....	1
	18787A	Decal - Air filter cleaning instruction.....	1

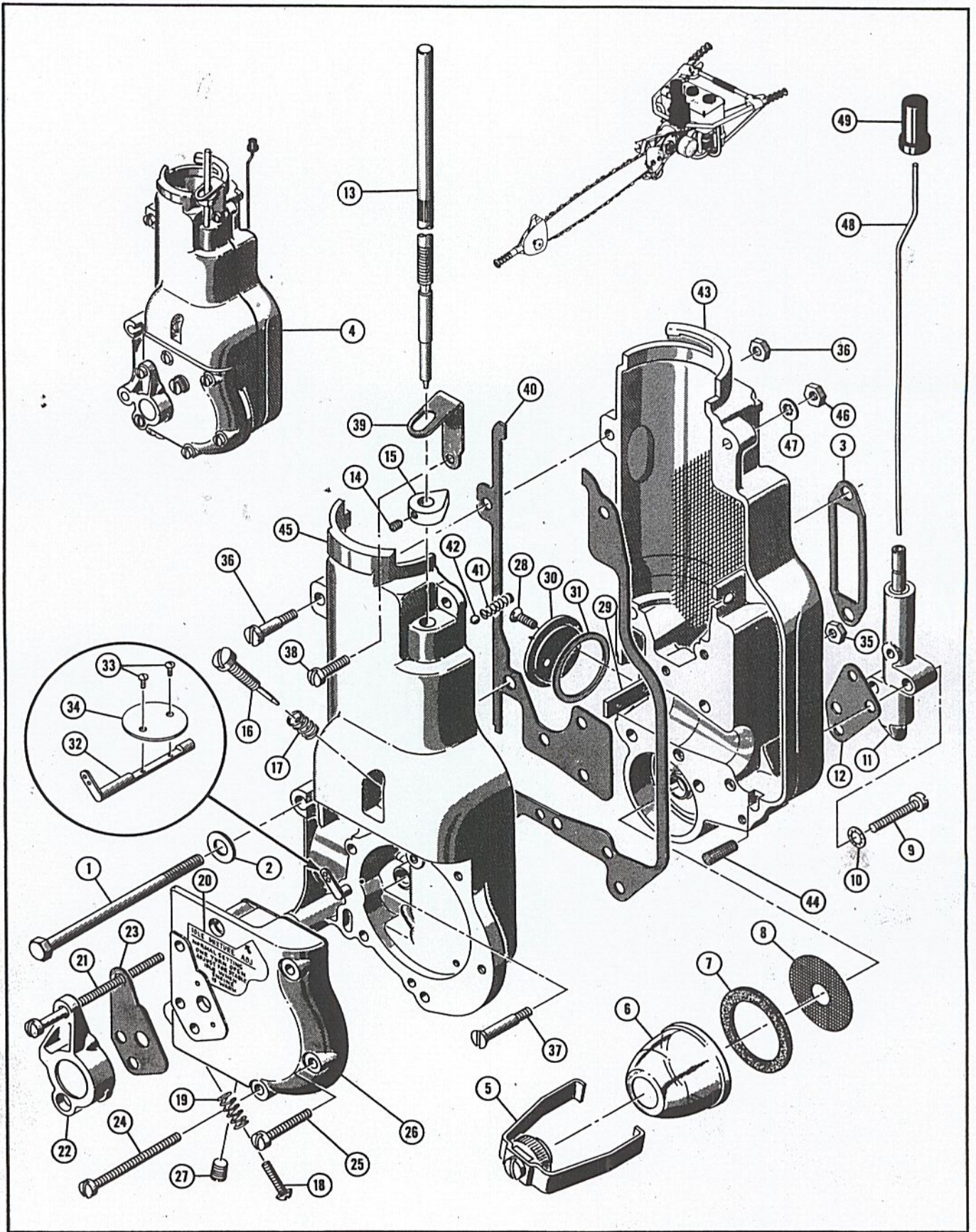


Figure 5. Carburetor Assembly



## FIGURE 5. CARBURETOR ASSEMBLY

Index No.	Part Number	Nomenclature	Units per Assy
1	102129	Screw - Hex hd cap 1/4-20 x 3-1/2 in. lg.....	2
2	100005	Washer - Plain 1/4 in. SAE Standard.....	2
3	18036B	Gasket - Carburetor.....	1
4	18214G	Carburetor Assembly.....	1
5	17157A	. Bail Assembly.....	1
6	17167A	. Bowl - Fuel filter.....	1
7	17168A	. Gasket - Bowl.....	1
8	17169A	. Screen - Fuel filter.....	1
9	102126	. Screw - Fil hd 10-24 x 1 in. lg steel.....	2
10	101194	. Lockwasher - No. 10.....	1
11	18352C <i>24932</i>	. Primer Assembly.....	1
12	18378B	. Gasket - Primer.....	1
13	18785B	. Valve - Main needle.....	1
14	102281	. Screw - Socket set 8-32 x .19 in. lg.....	1
15	24535	. Cam - Needle valve.....	1
16	18174A	. Screw - Idle air adjusting.....	1
17	18175A	. Spring - Idle air.....	1
18	102137	. Screw - Rd hd 8-32 x 3/4 in. lg steel.....	1
19	11361A	. Spring - Idle stop.....	1
20	24717	. Decal - Idle instructions.....	1
21	101975	. Screw - Fil hd 10-24 x 2-1/2 in. lg.....	2
22	18250A	. Ball Seat Assembly.....	1
23	18236A	. Gasket - Ball seat.....	1
24	102135	. Screw - Fil hd 10-24 x 2 in. lg.....	2
25	102126	. Screw - Fil hd 10-24 x 1 in. lg.....	2
26	18397C	. Cover and Diaphragm Assembly.....	1
	18199B	. Diaphragm Assembly.....	1
27	101864	. Plug - Pipe.....	1
	18162D	. Body and Seal Assembly - Carburetor.....	1
28	101478	. Screw - Flat hd 8-32 x .38 in. lg steel.....	2
29	18943A	. Strap - Venturi cover.....	1
30	18942A	. Cover - Venturi.....	1
31	18944A	. Gasket - Venturi cover.....	1
32	18946A	. Throttle Shaft Assembly.....	1
33	101470	. Screw - Binding hd, steel, 2-56 x .19 in. lg.....	2
34	18336B	. Valve - Throttle.....	1
35	100703	. Nut - Hex 10-32, steel.....	2
36	18372A	. Screw - Special fil hd.....	1
37	18373B	. Screw - Special.....	1
38	102126	. Screw - Fil hd steel 10-24 x 1 in. lg.....	1
39	24534	. Spring - Needle valve.....	1
40	18200B	. Gasket - Carburetor body.....	1
41	24500	. Spring - Detent.....	1
42	100549	. Ball - Stainless steel (.1875 dia).....	1
43	*18356B	. Body Assembly - Inner (Not interchangeable).....	1
44	18375A	. Wick - Carburetor.....	1
45	*18189C	. Body Assembly - Outer (Not interchangeable).....	1
46	100239	. Nut - Hex 10-24.....	1
47	101194	. Lockwasher - No. 10.....	1
48	24615	. Primer Rod - Carburetor.....	1
49	18353A	. Button - Primer.....	1

\*Matched parts. 18356B and 18189C must be purchased together. Order under Part No. 18162D.

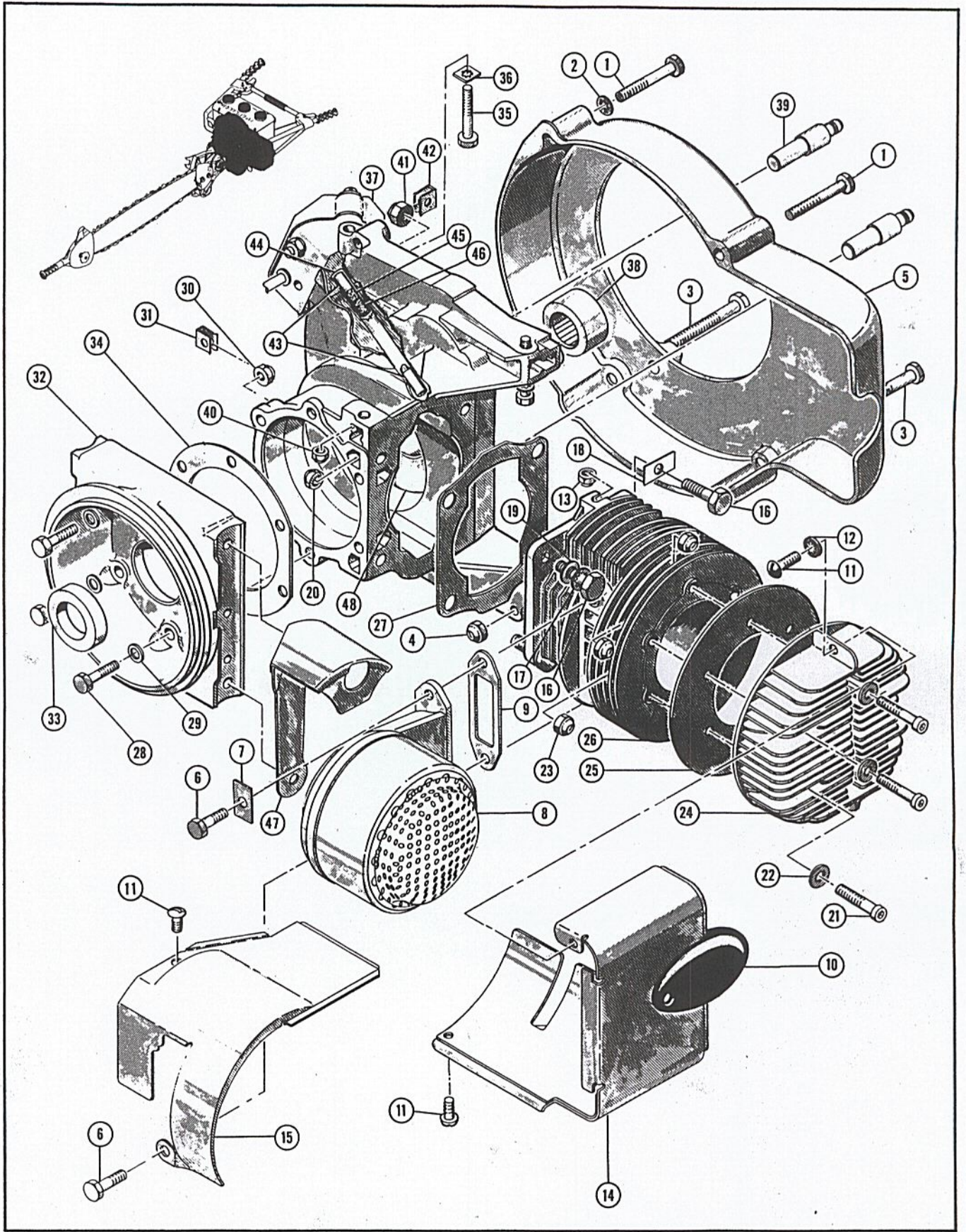


Figure 6. Fan Housing, Muffler, Cylinder and Crankcase

**FIGURE 6. FAN HOUSING, MUFFLER, CYLINDER AND CRANKCASE**

Index No.	Part Number	Nomenclature	Units per Assy
1	102125	Screw - Hex hd cap 1/4-20 x 1-3/4 in. lg.....	2
2	100153	Lockwasher - Internal 1/4 in. ID.....	1
3	102127	Screw - Hex hd cap 1/4-20 x 3-1/4 in. lg.....	2
4	101143	Nut - Hex self locking 1/4-20 .....	2
5	24028	Housing - Fan.....	1
6	100882	Screw - Hex hd cap 1/4-20 x 3/4 in. lg.....	2
7	24545	Lock Plate.....	1
8	24867	Muffler Assembly.....	1
9	11037	Gasket - Exhaust.....	1
10	19696A	Cover - Spark plug.....	1
11	101991	Screw - Fil hd mach 10-24 x 1/2 in. lg.....	3
12	101194	Lockwasher - Internal No. 10 .....	1
13	101191	Nut - Hex self locking 10-24 .....	2
14	24635	Shroud Assembly .....	1
15	24636	Jacket - Cylinder.....	1
16	102075	Screw - Hex hd cap 5/16-18 x 1 in. lg .....	4
17	100443	Lockwasher - Internal 5/16 in. ID .....	2
18	24692	Lockplate.....	2
19	100007	Washer - Plain 5/16 ID.....	2
20	101330	Nut - Hex self locking 5/16-18 .....	2
	24621	Cylinder Assembly.....	1
21	101563	. Screw - Socket hd mach 10-24 x 1-1/4 in. lg.....	6
22	24236	. Washer - Cylinder hd .....	6
23	101326	. Nut - Hex self locking 10-24 .....	6
24	24624	. Head - Cylinder .....	1
25	24057	. Gasket - Cylinder head.....	1
26	24023A	. Cylinder .....	1
27	24026	Gasket - Cylinder.....	1
28	101982	Screw - Hex hd cap 1/4-20 x 1 in. lg .....	6
29	100004	Washer - Plain 1/4 in. ID.....	6
30	101143	Nut - Hex 1/4-20 self locking .....	6
31	18556A	Retainer - Nut 1/4 in "U" type.....	4
32	24078	Cover Assembly - Crankcase .....	1
33	101303	. Seal - Oil.....	1
34	24079	Gasket - Crankcase.....	1
35	102130	Screw - Hex hd cap 1/4-20 x 1-1/2 in. lg.....	2
36	18760A	Locknut.....	2
37	*24639	Crankcase Assembly .....	1
38	101323	. Bearing - Needle .....	1
39	24259A	. Shaft - Counterweight gear.....	2
40	101143	. Nut - Hex 1/4-20 self locking.....	1
41	100955	. Nut - Self locking 8-32 .....	1
42	24169	. Retainer - "U" type.....	1
43	24317	. Bushing - Breaker push rod .....	2
44	24512	. Case - Push rod.....	1
45	24513	. Felt 24513 .....	1
46	24864	. Felt 24864 .....	1
47	24511A	Baffle - Air .....	1
48	24637	Wear Plate - Rotary valve.....	1

\*Crankcase Assembly includes:

Breaker Point Box, Part No. 24133 shown in Figure 8.

Counterweight Cover Assembly, Part No. 24086A shown in Figure 7.

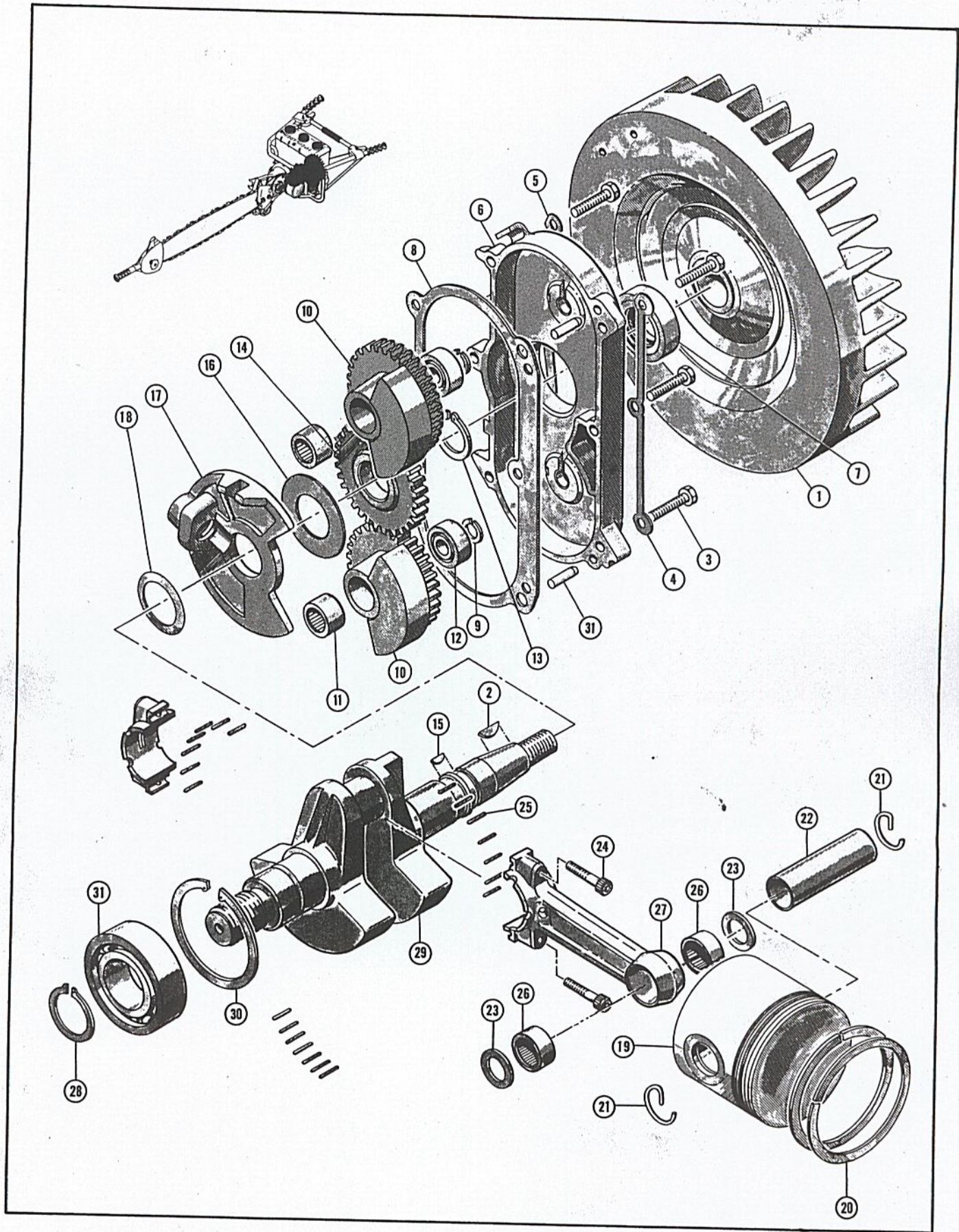


Figure 7. Flywheel, Piston, Connecting Rod and Crankshaft

## FIGURE 7. FLYWHEEL, PISTON, CONNECTING ROD AND CRANKSHAFT

Index No.	Part Number	Nomenclature	Units per Assy
1	24003A	Flywheel Assembly.....	1
2	100199	Key - Woodruff No. 404.....	1
3	102101	Screw - Hex hd mach 10-24 x .88 in. lg.....	6
4	24542	Locking Strip - L.H.....	1
5	24543	Locking Strip - R.H.....	1
6	*24086A	Cover Assembly - Counterweight.....	1
7	100564	. Seal - Oil.....	1
8	24048	Gasket - Counterweight cover.....	1
9	102095	Ring - Retaining.....	2
10	24261	Counterweight Assembly.....	2
11	101206	. Bearing - Needle.....	1
12	101598	. Bearing - Ball.....	1
13	101440	Ring - Retaining.....	1
14	24011A	Gear - Drive counterweight.....	1
15	100106	Key - Woodruff.....	1
16	24058	Washer - Rotary valve.....	1
17	24522	Rotary Valve Assembly - Speed control.....	1
18	24498	Spring - Rotary valve.....	1
19	24754A	Piston Assembly.....	1
20		. Piston (order 24754A).....	1
21	24809	. Ring - Piston (set of 2 rings).....	2
22	24336	. Ring - Retaining.....	2
23	24018	Pin - Piston.....	1
23	24328	Washer.....	2
24	24016A	Rod Assembly - Connecting.....	1
24	100131	. Screw - Socket hd 10-32 x .88 in. lg.....	2
25	100226	. Needle - Roller.....	32
26	102767	. Needle Bearing - Connecting rod.....	2
27	24015A	. Rod - Connecting.....	1
27	24031A	Crankshaft Assembly.....	1
28	100981	. Ring - Retaining.....	1
29	24025A	. Crankshaft.....	1
30	100386	. Ring - Retaining.....	1
31	100381	. Bearing - Ball.....	2
32	101770	Pin - Dowel.....	2

\*Furnished with Crankcase Assembly, Part No. 24639

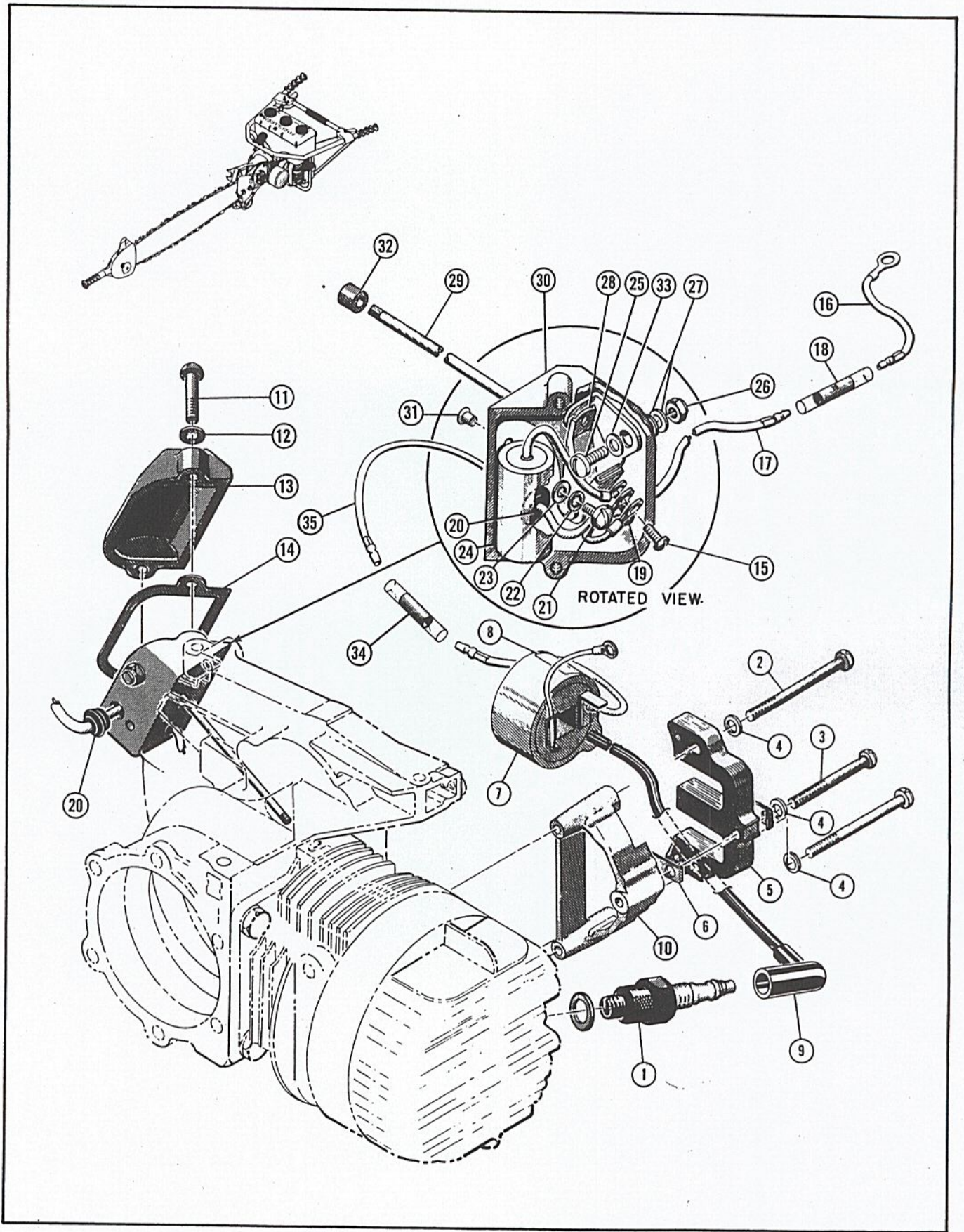


Figure 8. Ignition System

## FIGURE 8. IGNITION SYSTEM

Index No.	Part Number	Nomenclature	Units per Assy
1		Spark Plug and Gasket - 14 mm .....	1
2	102077	Screw - Fil hd mach 10-24 x 2-1/2 in. lg .....	2
3	101970	Screw - Fil hd mach 10-24 x 2 in. lg .....	1
4	102189	Washer - Plain .....	3
	24033E	Coil and Lamination Assembly .....	1
5	24088	. Lamination Assembly - Coil .....	1
6	19034	. Retainer - Coil .....	2
7	24276B	. Coil Assembly - Ignition .....	1
8	18409A	. Decal - Adjusting instruction .....	1
9	36907	. Ignition Wire - Spark Plug Assembly .....	1
10	24042	Bridge - Coil .....	1
11	102126	Screw - Fil hd mach 10-24 x 1 in. lg .....	2
12	101194	Lockwasher - Internal No. 10 .....	2
13	24039	Cover - Breaker .....	1
14	24041	Gasket - Breaker cover .....	1
15	101207	Screw - Rd hd mach 6-32 x 1/4 in. lg .....	1
	24043	Wire Assembly - Stop switch .....	1
16	24182	. Wire Assembly - Switch end .....	1
17	24183	. Wire Assembly - Terminal end .....	1
18	18974A	. Sleeve Assembly - Stop switch wire .....	1
19	28322	Grommet - Rubber .....	1
20	100283	Grommet - Breaker box .....	2
21	100696	Screw - Fil hd mach 8-32 x .62 in. lg .....	1
22	100459	Lockwasher - No. 8 .....	1
23	100080	Washer - Plain No. 8 .....	1
24	100075	Condenser - Ignition .....	1
25	24626	Screw - Eccentric .....	2
26	101191	Nut - Hex self-locking 10-24 .....	2
27	100003	Washer - Plain No. 10 .....	3
28	24397A	Breaker Assembly - Ignition .....	1
29	24087	Push Rod - Breaker .....	1
30	*24133A	Box - Breaker point .....	1
31	102217	Rivet - 1/8 x 1/2 countersunk hd .....	3
32	24513	Washer - Felt .....	1
33	100007	Washer - Plain 5/16 .....	1
34	52066	Sleeve .....	1
35	24839	Wire Assembly - Breaker to coil .....	1

\*Furnished with Crankcase Assembly Part No. 24639

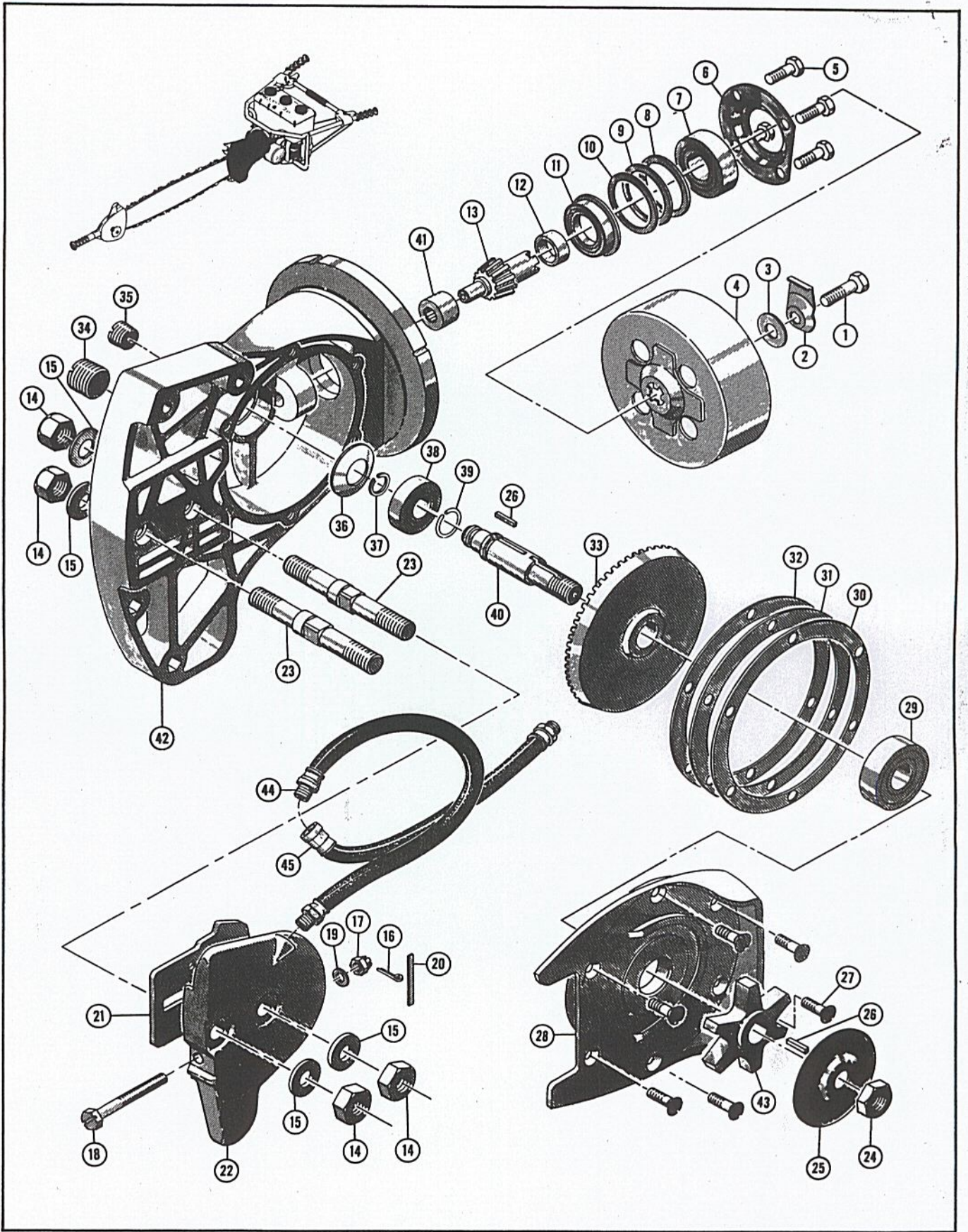


Figure 9. Transmission Assembly



## FIGURE 9. TRANSMISSION ASSEMBLY

Index No.	Part Number	Nomenclature	Units per Assy
	**24251A		
	24251C	Transmission Assembly.....	1
1	102075	. Screw - Hex hd cap 5/16-18 x 1 in. lg.....	1
2	24664	. Lock Plate.....	1
3	24070	. Washer - Plain.....	1
4	24821	. Drum - Clutch.....	1
5	100882	. Screw - Hex hd cap 1/4-20 x 3/4 in. lg.....	4
6	24064	. Retainer - Bearing.....	1
7	101332	. Bearing - Ball (with shields).....	1
8	24030A	. Shim - Pinion.....	As Req.
9	24030B	. Shim - Pinion.....	As Req.
10	24030C	. Shim - Pinion.....	As Req.
11	24045	. Seal - Pinion.....	1
12	24049	. Spacer - Bearing.....	1
13	*24841	. Pinion - Bevel (See note below).....	1
14	101492	. Nut - Hex 1/2-20 self locking.....	4
15	100257	. Washer - Plain 1/2 in. ID.....	4
	24381	. Clamp Plate Assembly.....	1
16	100011	. Pin - Cotter.....	1
17	102022	. Nut - Castle.....	1
18	102193	. Screw - Adjusting.....	1
19	100007	. Washer - Plain 5/16 ID.....	1
20	24380	. Spring - Detent.....	1
21	24376	. Plate Assembly - Adjusting.....	1
22	24378A	. Plate - Clamp.....	1
	28054	. Nozzle - Oiler.....	1
23	24185	. Guide - Saw blade.....	2
24	100828	. Nut - Hex 5/8-18 self locking.....	1
25	24179	. Shroud - Sprocket.....	1
26	101843	. Key - Square.....	2
27	101930	. Screw - Flat hd mach 1/4-20 x 3/4 in. lg.....	6
	24131B	. Cover Assembly - Gear Case.....	1
28	24080B	. Cover - Gear case.....	1
29	101313	. Bearing - Ball.....	1
30	18095A	. Shim - Gear.....	As Req.
31	18095B	. Shim - Gear.....	As Req.
32	18095C	. Shim - Gear.....	As Req.
33	*24840	. Gear - Bevel (See note below).....	1
34	101190	. Plug - Slotted pipe 1/2-14 NPT.....	1
35	102412	. Plug - Slotted pipe 1/8-27 NPT.....	1
36	24359	. Spring - Thrust.....	1
37	101692	. Ring - Retaining.....	1
38	100576	. Bearing - Ball.....	1
39	101435	. Ring - Retaining.....	1
40	24357	. Shaft - Sprocket.....	1
41	101331	. Bearing - Needle (less inner race).....	1
42	24081B	. Case - Gear.....	1
43		Sprocket (order for type of chain used).....	1
	102376	Oil Line Assembly - Quick-disconnect.....	1
44	102378	. Oil Line - Quick-disconnect (Long).....	1
45	102377	. Oil Line - Quick-disconnect (Short).....	1

\*Matched parts. 24841 (Pinion) and 24840 (Bevel) must be purchased together. Order under Part No. 24851.

\*\*Optional Low-Ratio Transmission Assembly includes matched parts 24060 and 24061. Order 24060 (Pinion) and 24061 (Bevel) under Part No. 24201.

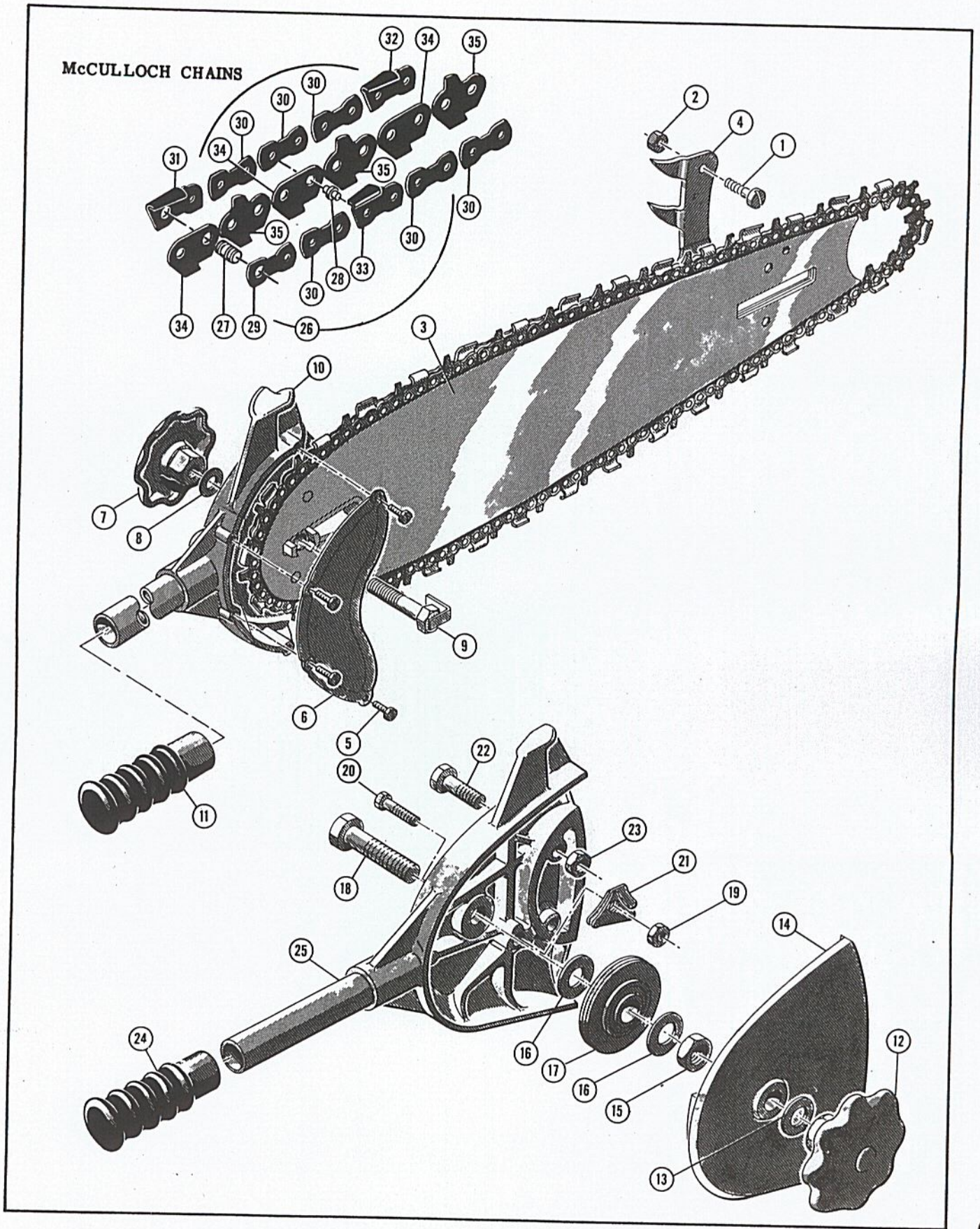


Figure 10. Saw Blades, Spike and Outboard Helper Handles

**FIGURE 10. SAW BLADES, SPIKE AND OUTBOARD HELPER HANDLES**

Index No.	Part Number	Nomenclature	Units per Assy
1	101359	Screw - Fil hd mach steel 5/16-18 x 1-1/2 in. lg (gear case to spike).....	3
2	101330	Nut - Hexagon 5/16-18.....	3
3	24792	Blade - Sabre 30-inch.....	1
	24793	Blade - 40-inch.....	1
	24794	Blade - 50-inch.....	1
	24795	Blade - Sabre 40-inch.....	1
	24795	Blade - 60-inch.....	1
4	24186	Spike.....	1
	18391B	Handle Assy - Outboard.....	1
5	100250	. Screw - Binding hd 10-38.....	4
6	18229A	. Cover - Outboard handle assy.....	1
7	18094A	. Knob - Hand clamp.....	1
8	100257	. Washer - Plain 1/2 ID SAE standard.....	1
9	38006	. Screw Assy.....	1
10	18122B	. Handle - Outboard.....	1
11	18207A	. Grip - Handle.....	1
	18412A	Handle and Idler Assy - Outboard.....	1
12	18094A	. Knob - Hand clamp.....	1
13	100257	. Washer - Plain 1/2 ID.....	1
14	18404A	. Guard - Idler.....	1
15	100604	. Nut - Jam 1/4-20.....	1
16	100257	. Washer - Plain 1/2 ID.....	2
17	18733A	. Pulley Assy - Idler.....	1
18	101047	. Screw - Hex hd cap 1/2-20 x 2-1/2 in. lg.....	1
19	100640	. Nut - Hex 1/4-20.....	1
20	100641	. Screw - Hex hd 1/4-28 x 1-1/4 in. lg.....	1
21	18515A	. Plate Assy - Guide.....	1
22	101158	. Screw - Hex hd cap 3/8-24 x 1-1/4 in. lg.....	2
23	101141	. Nut - Hex 3/8-24.....	1
24	18207A	. Grip - Handle.....	1
25	18408A	. Handle - Outboard idler.....	1

**McCULLOCH CHAINS**

26	---	Typical McCulloch Chain Assembly
27	---	Master Pin
28	---	Shoulder Rivet
29	---	Master Connecting Link
30	---	Connecting Link
31	---	Master Link, Cutter LH
32	---	Cutter Tooth, LH
33	---	Cutter Tooth, RH
34	---	Spacer Link
35	---	Depth Gage

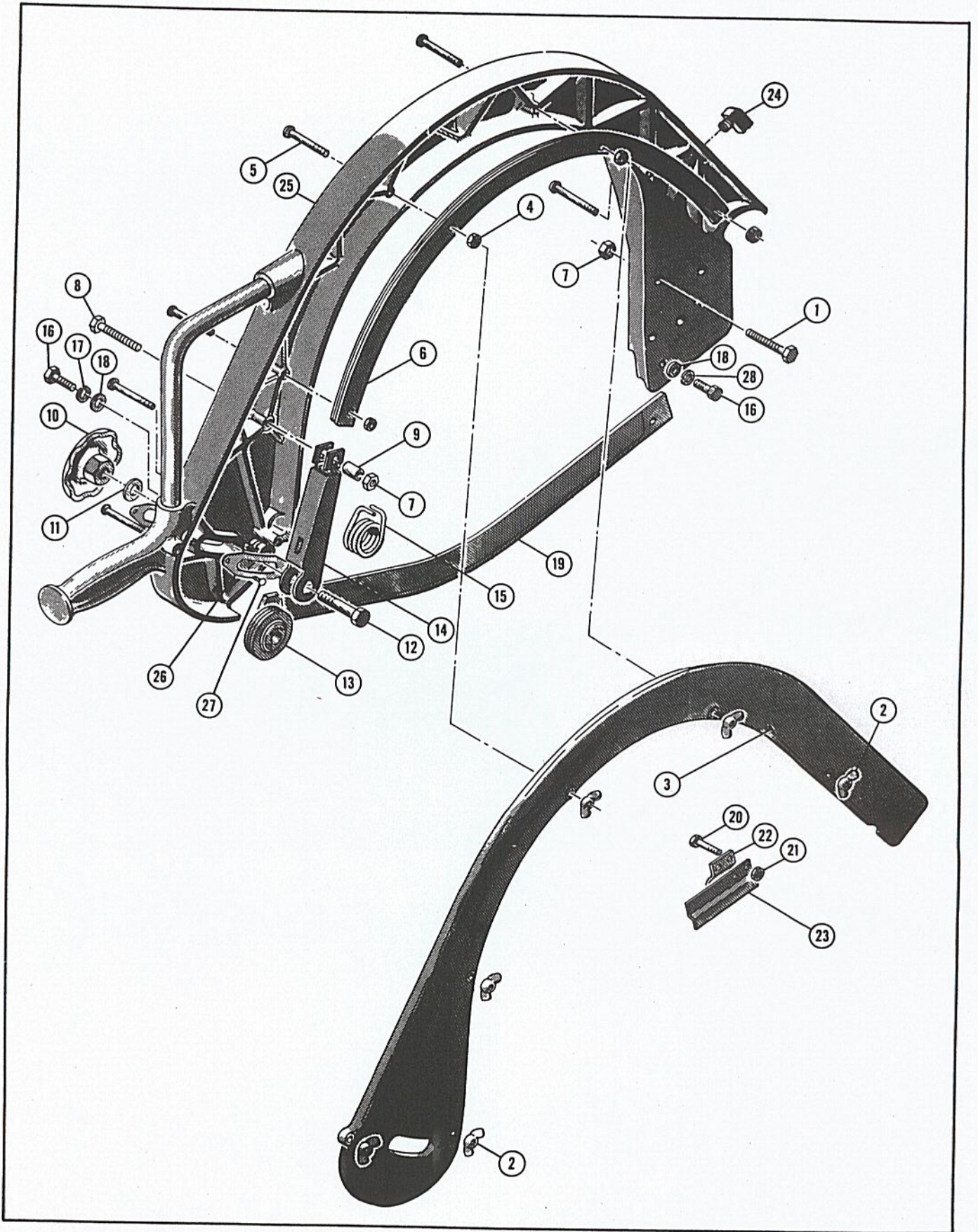


Figure 11. Bow Saw and Chain Attachment

**FIGURE 11. BOW SAW AND CHAIN ATTACHMENT**

Index No.	Part Number	Nomenclature	Units per Assy
	18510B	Bow Saw Attachment .....	1
1	101145	Screw - Hex hd 5/16-24 x 1-3/4 in. lg .....	2
2	101043	Wing Nut - 1/4-20 .....	6
3	18493A	Cover - Bow saw body .....	1
4	101143	Nut - Self locking 1/4-20 .....	5
5	101139	Screw - Round hd 1/4-20 x 2-1/4 in. lg .....	6
6	18505A	Track - Bow saw .....	1
7	100682	Nut - Hex 5/16-24 .....	3
8	101145	Screw - 5/16-24 x 1-3/4 in. lg .....	1
9	18506A	Sleeve - Idler .....	1
10	18094A	Knob - Hand clamp .....	1
11	101579	Washer - Flat 1/2 ID .....	1
12	18739A	Screw - Hex hd (special) .....	1
13	18733A	Pulley Assembly - Idler .....	1
14	18494A	Arm - Idler .....	1
15	18470A	Spring - Torsion idler .....	1
16	101140	Screw - Hex hd 3/8-24 x 1 in. lg .....	2
17	100707	Lockwasher - Med 3/8 ID SAE .....	1
18	100375	Washer - Flat 3/8 ID SAE .....	2
19	18959A	Bar - Cutter .....	1
20	101982	Screw - 1/4-20 x 1 in. lg .....	2
21	101143	Nut - Self locking 1/4-20 .....	2
22	18537A	Guide - Chain short .....	1
23	18538B	Guide - Chain long .....	1
24	100764	Elbow - Street 1/8 pipe thd .....	1
25	24710	Body - Bow saw .....	1
26	38024	Plate - Idler slot .....	2
27	102546	Screw - Round hd 10 x .38 drive .....	4
28	100719	Lockwasher - 3/8 ID .....	1

**LIST OF ACCESSORIES**

Part Number	Nomenclature
24592	Wrench and Screwdriver combination
14168A	Wrench - Spark plug
24996A	Instruction Manual - Model 99 Saw
24996	Operation and Maintenance Manual
24785	Illustrated Parts List
101259	Hand Grinder - 1/10 hp, 110 Volt ac (Optional)
102094	Chain Grinding Fixture (Optional)
18495B	McCulloch Yellow Enamel (1 quart) (Optional)
102057	McCulloch Oil (1 quart) (Optional)