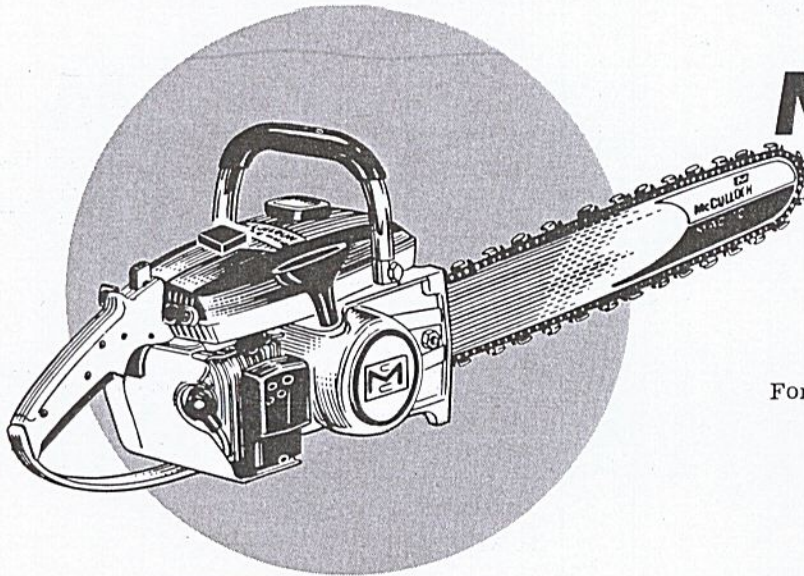


MASTER ILLUSTRATED PARTS LIST



MAC 6-10A Chain Saw

For cancelled and superseded parts lists,
see page 5

APRIL 1972

The policy of McCulloch Corporation is one of continual improvement in design, manufacturing and engineering advancement wherever possible to assure still finer two-cycle power tools. Hence, specifications, equipment, colors, design and manufacturer's suggested list prices are subject to change without notice and McCulloch Corporation reserves the right to make such changes without prior notification or obligation to backfit or supply backfit components for units previously shipped from the factory.

· CONTENTS ·

	Page
Figure 1. General	2
Figure 2. Clutch Guard Assembly	6
Figure 3. Fuel Tank Assembly	6
Figure 4. Carburetor Assembly	8
Figure 5. Powerhead Assembly	10
Figure 6. Bar & Chain Assemblies	12

This Master Illustrated Parts List gives the name, number and interchangeability between engines, of service and replacement parts which were used on or are presently for all MAC 6-10A chain saws manufactured to date.

Information about the List and how to use it will be found on the back cover.
Read the information before you start to use the List.

 **McCULLOCH**

COPYRIGHT 1972 U.S.A.
McCULLOCH CORPORATION

86346

MAC 6-10A Chain Saw

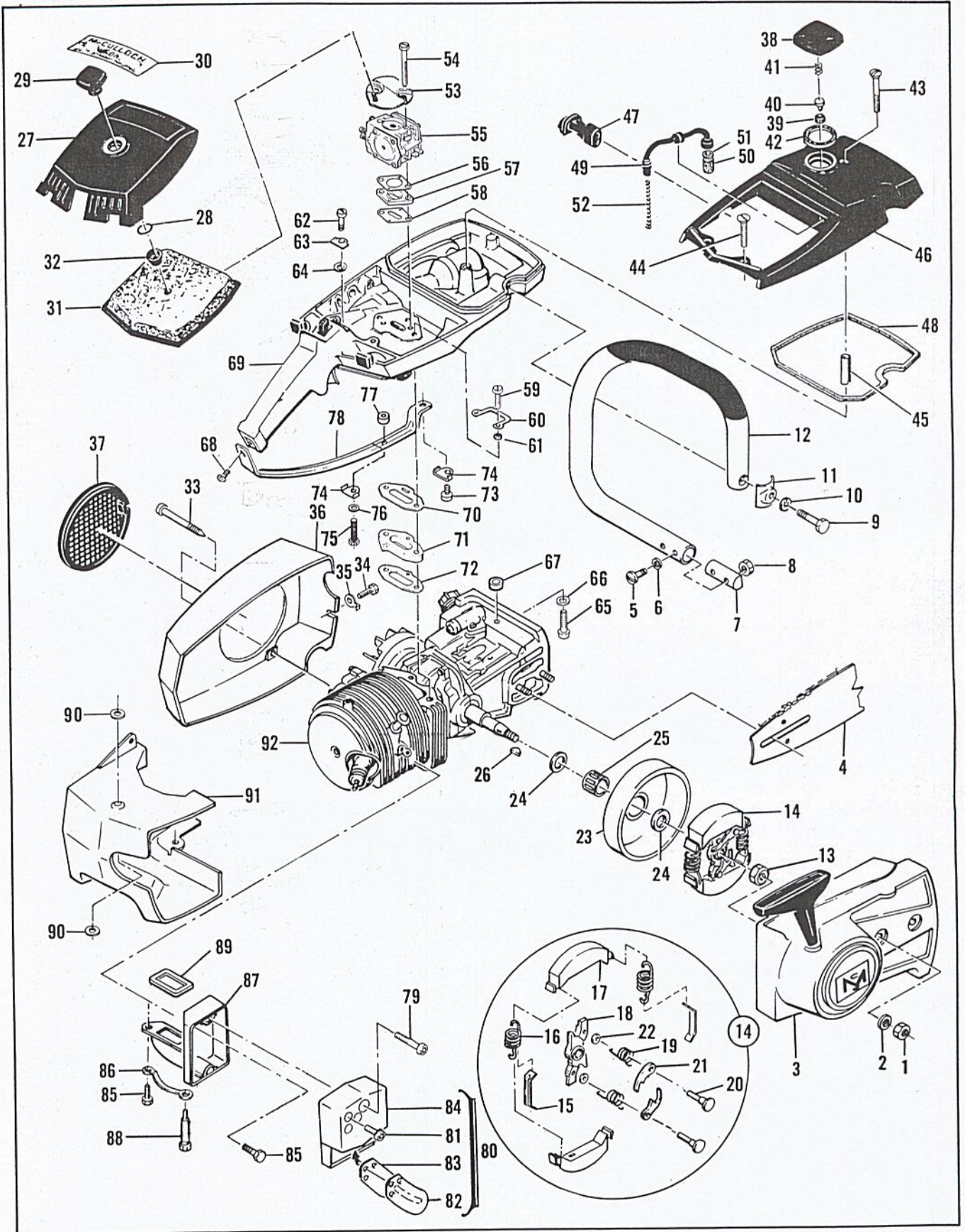


Figure 1. General

MAC 6-10A Chain Saw

FIGURE 1. GENERAL

Item No.	Part Number	Description	Units Per Assy	Usable On Code			
MAC 6-10, 6-10A, Super 6-10A, Usable On Code							
	Model	6-10	6-10A	Super 6-10A	Super 6-10A	Super 6-10A	Super 6-10A
	Letter	A	B	C	D	E	F
	Serial Numbers	Prefix 10-	Prefix 12-, A12-	Prefix 14-, B13-, A13-	Prefix 15-, A14-	Prefix 17-, A15-10001 to 12501	Prefix 17-, A15-12502 & up
1	110454	Nut - Hex 5/16-24	2	All			
2	100440	Washer - 5/16	2	All			
3		Clutch Guard & Starter Assy (See Figure 2)		All			
4		Bar & Chain (See Figure 6)		All			
5	102761	Screw - Hex hd 10-24 x 7/8	2	All			
6	100352	Washer - #10	2	All			
7	61678	Plug - Nut retainer	1	All			
8	101326	Nut - Hex 10-24	2	All			
9	102130	Screw - Hex 1/4-20 x 1-1/2	1	All			
10	100153	Lockwasher - 1/4	1	All			
11	63484	Clamp - Frame	1	All			
12	85770	Frame & Grip Assy	1	All			
13	103746	Nut - Hex 3/8-24	1	A, B			
	110594	Nut - Hex 3/8-24	1	C, D, E, F			
14	67148	Clutch Assy	1	A, B, C			
	83656	Clutch Assy	1	D, E, F			
15	64583	. Retainer	2	All			
16	66384	. Spring - Clutch	2	All			
17	67233	. Shoe - Clutch	2	All			
18	67149	. Rotor Assy	1	A, B, C			
	83671	. Rotor Assy	1	D, E, F			
19	68837	. Spring	2	A, B, C			
	83654	. Spring	2	D, E, F			
20	67112	. Rivet	2	A, B, C			
	83653	. Rivet	2	D, E, F			
21	64857	. Pawl	2	A, B, C			
	24093	. Pawl	2	D, E, F			
22	65473	. Washer - Special	2	All			
23	65370	Kit - Sprocket & Drum	1	All			
24	61692	. Shim	2	All			
25	110330	Bearing	1	All			
26	103879	Key - Woodruff	1	All			
27	68530	Cover Assy - Air cleaner	1	All			
28	110565	. Ring - Retainer	1	All			
29	68529	. Knob - Cover	1	All			
30	68708	Nameplate	1	A			
	68699	Nameplate	1	B			
	85525	Nameplate	1	C, D, E, F			
31	69922	Filter Assy - Air	1	C, D, E, F			
	83230	Filter Assy - Air	1	A, B			
32	68528	. Grommet	1	A, B			
33	62978	Screw - Special	3	All			
34	102762	Screw - Hex hd 10-24 x 1/2	1	All			
35	69890	Lockplate	1	All			
36	83521	Kit - Fan Housing	1	All			
37	55615	. Guard - Flywheel	1	All			
38	86401	Cap Assy - Fuel	1	All			
39	68533	. Plug	1	All			
40	86402	. Valve	1	All			
41	63040	. Spring	1	All			
42	69767	. Gasket	1	All			
43	110402	Screw - Oval hd 12-24 x 2-3/8	1	All			

This list is continued on page 4

MAC 6-10A Chain Saw

FIGURE 1. GENERAL (CONTINUED)

Item No.	Part Number	Description	Units Per Assy	Usable On Code
44	103579	Screw - Fil hd 10-24 x 1	2	All
45	69686	Spacer	1	All
46	69679	Cover - Fuel tank	1	A, B, C, D
	84252	Cover - Fuel tank	1	E, F
47	84253	Boot - Carburetor adj.	1	E, F
48	69345	Gasket - Cover	1	All
49	64848	Hose Assy - Fuel	1	All
50	63932	. Filter - Fuel	1	All
51	100440	. Washer	1	All
52	67944	Spring - Hose	1	All
53	83204	Bracket Assy	1	All
54	103357	. Screw - Hex hd 10-24 x 2-1/4	2	All
55		Carburetor Assy (See Figure 4)		All
56	68132	Gasket - Carburetor	1	A, B, C, D
	83059	Gasket - Carburetor	1	E, F
57	84078	Spacer - Carburetor	1	All
58	84081	Gasket - Spacer	1	All
59	110567	Screw - Hex hd 12-24 x 1-1/4	2	All
60	68582	Lockplate	1	All
61	102115	Washer	2	All
62	110568	Screw - Hex hd 12-24 x 1-1/8	1	All
63	69516	Lockplate	1	All
64	64856	Washer - Special	1	All
65	102660	Screw - Skt hd 10-24 x 7/8	1	All
66	100003	Washer - #10	1	All
67	68219	Spacer	1	A, B
	69772	Spacer	1	C, D, E, F
68	106078	Screw - Oval hd 10-24 x 7/16	1	All
69		Fuel Tank Assy (See Figure 3)		All
70	84082	Gasket - Fuel tank	1	All
71	68579	Insulator - Fuel tank	1	A, B, C, D
	84080	Insulator - Fuel tank	1	E, F
72	68594	Gasket - Insulator	1	All
73	110566	Screw - Hex hd 12-24 x 5/8	1	All
74	68508	Lockplate	2	All
75	102761	Screw - Hex hd 10-24 x 7/8	1	All
76	110264	Washer - #10	1	All
77	69830	Spacer - Handle brace	1	All
78	85007	Brace - Handle	1	All
79	110473	Screw - Skt hd 10-24 x 1-5/8	2	A, B, C, D
	104560	Screw - Skt hd 10-24 x 1-1/2	2	E, F
80	65532	Cover and Valve Assy	1	All
81	110472	. Screw - Skt hd 8-32 x 5/16	3	All
82	84780	. Stop - Reed valve	1	All
83	84779	. Valve - Reed	1	All
84	65419	. Cover Assy - Spark arrester	1	All
85	110529	Screw - Hex hd 10-24 x 1/2	2	All
86	67922	Lockplate	1	All
87	83106	Body and Duct Assy	1	All
88	68187	. Screw - Special	1	All
89	68149	Gasket - Muffler	1	A, B, C, D
	84007	Gasket - Muffler	1	E, F
90	68581	Insulator - Shroud	2	All
91	67910	Shroud	1	All
92		Powerhead Assy (See Figure 5)		All

Master Illustrated Parts List, P/N 86346 supersedes and cancels all previous lists issued for the MAC 6-10, 6-10A and Super 6-10A saws. Discard the following lists:

- IPL 68710 covering MAC 6-10 saws with serial numbers prefixed 10- .
- IPL 68598 covering MAC 6-10A saws with serial numbers prefixed 12- and A12-.
- IPL 69941 covering Super 6-10A saws with serial numbers prefixed 14-, B13-, A13-.
- IPL 83685 covering Super 6-10A saws with serial numbers prefixed 15-, A14-.
- IPL 84380 covering Super 6-10A saws with serial numbers prefixed 17-, A15-.

SERVICE SPECIFICATIONS

Spark Plug Gap -----	0.025 in.
Lamination Gap -----	0.010 to 0.015 in.
Breaker Point Gap -----	0.018 in.
Carburetor Adjustment	
Idle Needle - Preliminary adjustment 1 turn open. Adjust for smooth idle and acceleration.	
Main Needle - Preliminary adjustment 1 turn open. Adjust for maximum power under load.	
Torque Values	
Flywheel Nut -----	240 to 300 inch-pounds
Clutch Nut -----	160 to 170 inch-pounds
Connecting Rod Screws -----	65 to 70 inch-pounds

MAC6-10A Chain Saw

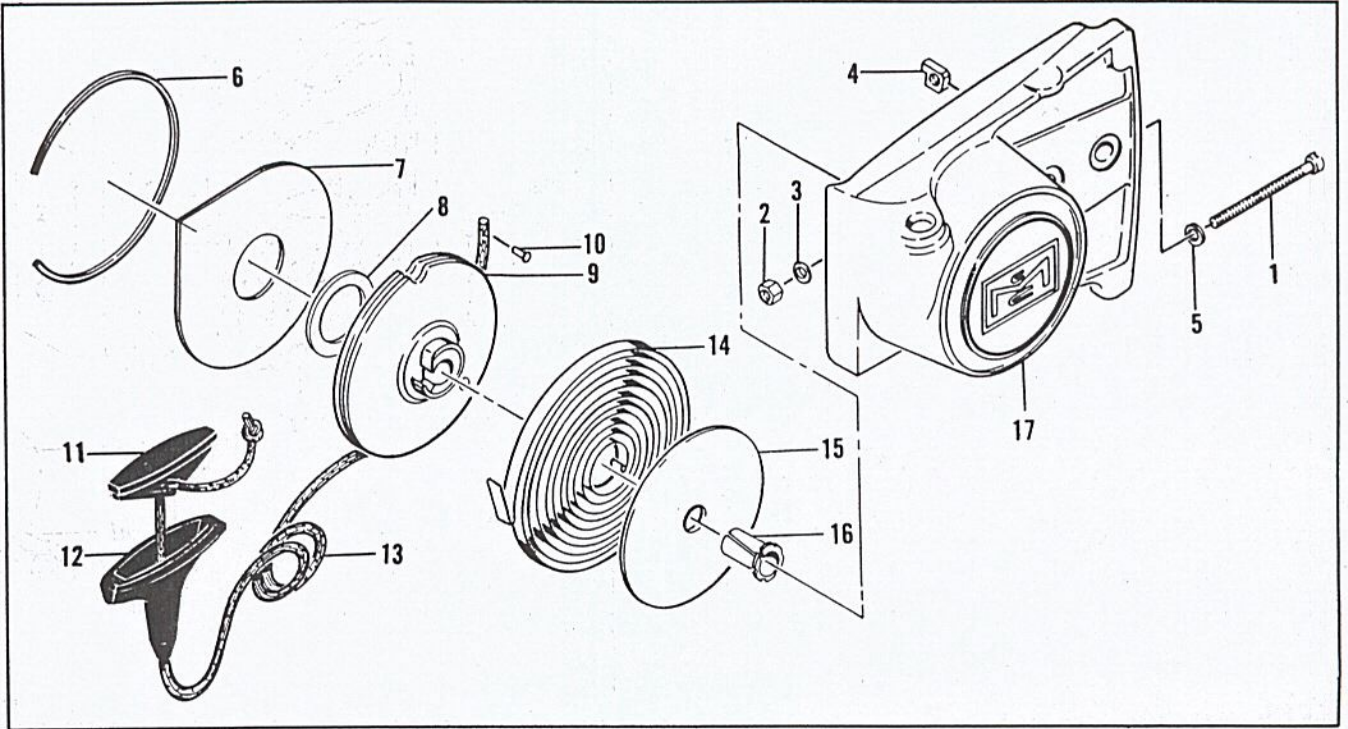


Figure 2. Clutch Guard Assembly

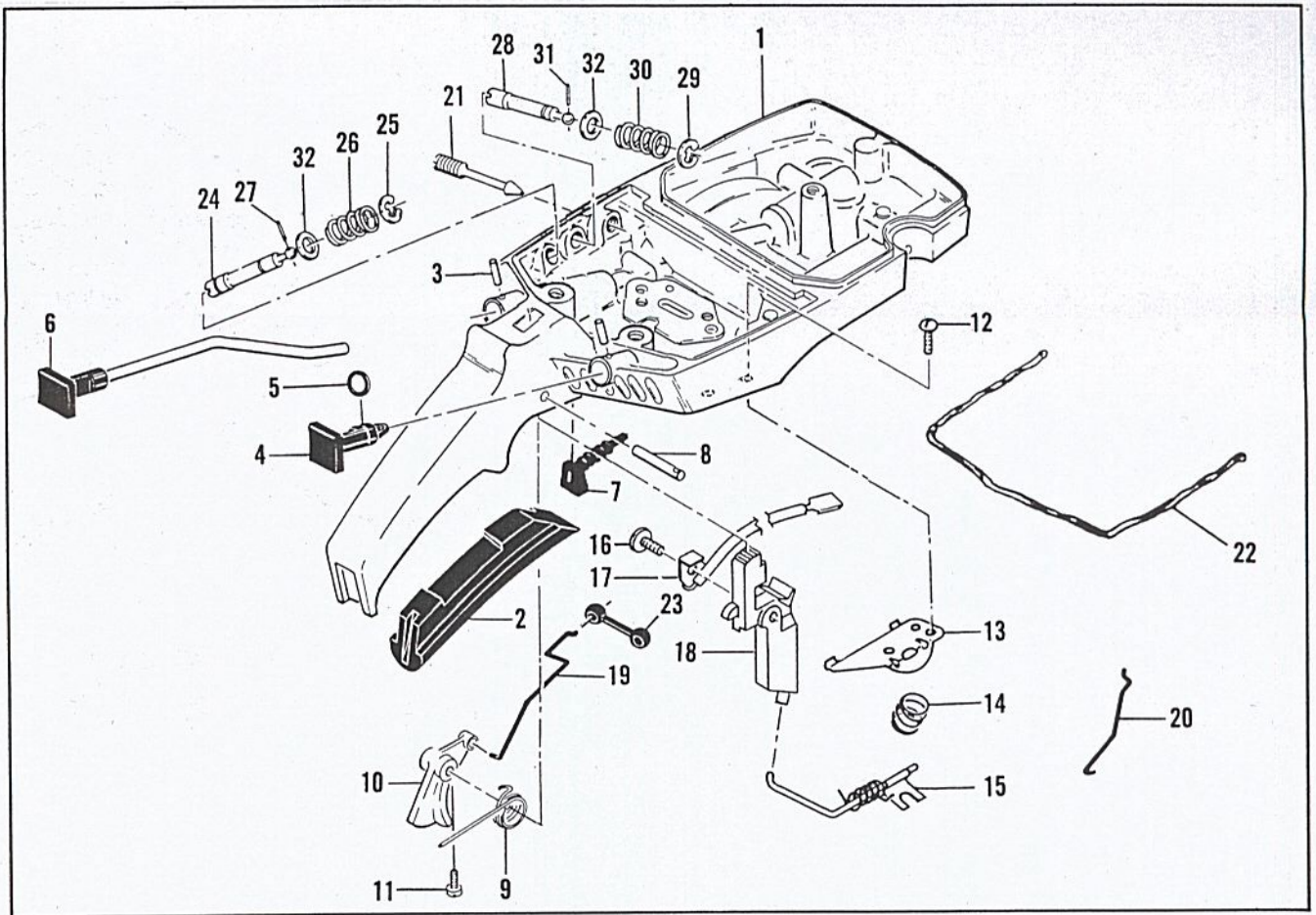


Figure 3. Fuel Tank Assembly

FIGURE 2. CLUTCH GUARD ASSEMBLY

Item No.	Part Number	Description	Units Per Assy	Usable On Code			
MAC 6-10, 6-10A, Super 6-10A, Usable On Code							
	Model	6-10	6-10A	Super 6-10A	Super 6-10A	Super 6-10A	Super 6-10A
	Letter	A	B	C	D	E	F
	Serial Numbers	Prefix 10-	Prefix 12-, A12-	Prefix 14-, B13-, A13-	Prefix 15-, A14-	Prefix 17-, A15- 10001 to 12501	Prefix 17-, A15- 12502 & up
1	83850	Clutch Guard Assy	1	All			
1	102144	Screw - Bar adjusting	1	All			
2	102067	Nut - Hex 10-24	1	All			
3	110387	Washer - Wavy	1	All			
4	61705	Nut - Bar adjusting	1	All			
5	110264	Washer - #10	1	All			
6	67205	Retainer - Shield	1	All			
7	63985	Shield - Dust	1	All			
8	63986	Washer - Thrust	1	All			
9	85124	Drum - Starter	1	All			
10	110470	Rivet - Rope	1	All			
11	62191A	Insert - Handle	1	All			
12	62190A	Handle - Starter	1	All			
13	69964	Rope - Starter	1	All			
14	68626	Spring - Rewind	1	All			
15	63987	Shield - Spring	1	All			
16	61635A	Bushing - Nyliner	1	All			
17	83569	Guard - Clutch	1	All			

FIGURE 3. FUEL TANK ASSEMBLY

Item No.	Part Number	Description	Units Per Assy	Usable On Code			
MAC 6-10, 6-10A, Super 6-10A, Usable On Code							
	Model	6-10	6-10A	Super 6-10A	Super 6-10A	Super 6-10A	Super 6-10A
	Letter	A	B	C	D	E	F
	Serial Numbers	Prefix 10-	Prefix 12-, A12-	Prefix 14-, B13-, A13-	Prefix 15-, A14-	Prefix 17-, A15- 10001 to 12501	Prefix 17-, A15- 12502 & up
1	84183	Fuel Tank Assy	1	All			
2	64872	Grip - Handle	1	All			
3	105673	Pin - Roll 3/32 x 9/16	2	All			
4	68517	Button - Choke	1	A, B			
	69041	Button - Choke	1	C, D, E, F			
5	101056	"O" Ring	1	All			
6	64871	Button & Rod Assy	1	All			
7	68522	Seal - Throttle rod	1	All			
8	110378	Pin - Roll 3/16 x 15/16	1	All			
9	87178	Spring - Throttle return	1	All			
10	85978	Trigger	1	All			
11	110537	Screw - Fil hd 8-36 x 1/2	1	All			
12	105249	Screw - Rd hd 8-32 x 3/8 (SEMS)	2	All			
13	64721	Bracket - Lever Assy	1	All			
14	69687	Spring - Valve	1	All			
15	69811	Lever Assy - Compression release	1	All			
16	110385	Screw - Pan hd 8-32 x 3/8	1	All			

This list is continued on page 8

MAC 6-10A Chain Saw

FIGURE 3. FUEL TANK ASSEMBLY (CONTINUED)

Item No.	Part Number	Description	Units Per Assy	Usable On Code
17	65873	Wire Assy - Stop switch	1	All
18	67209	Button - Control	1	All
19	85107	Rod - Throttle	1	All
20	67355	Rod - Choke	1	A, B
	69042	Rod - Choke	1	C, D, E, F
21	67271	Screw - Idle adjustment	1	All
22	*69564	Seal - Airbox	AR	All
23	69043	Snubber - Rod	1	C, D, E, F
24	68102	Extension Assy - High speed needle	1	A, B, C, D
25	110512	. Ring - Retaining	1	A, B, C, D
26	67363	. Spring	1	A, B, C, D
27	110509	. Pin - Groove	1	A, B, C, D
28	68101	Extension Assy - Idle needle	1	A, B, C, D
29	110512	. Ring - Retaining	1	A, B, C, D
30	67363	. Spring	1	A, B, C, D
31	110509	. Pin Groove	1	A, B, C, D
32	67292	Washer - Special	2	A, B, C, D

*Furnished on a 12-1/2 inch strip containing 9 beads of sealant (enough for 9 replacements).

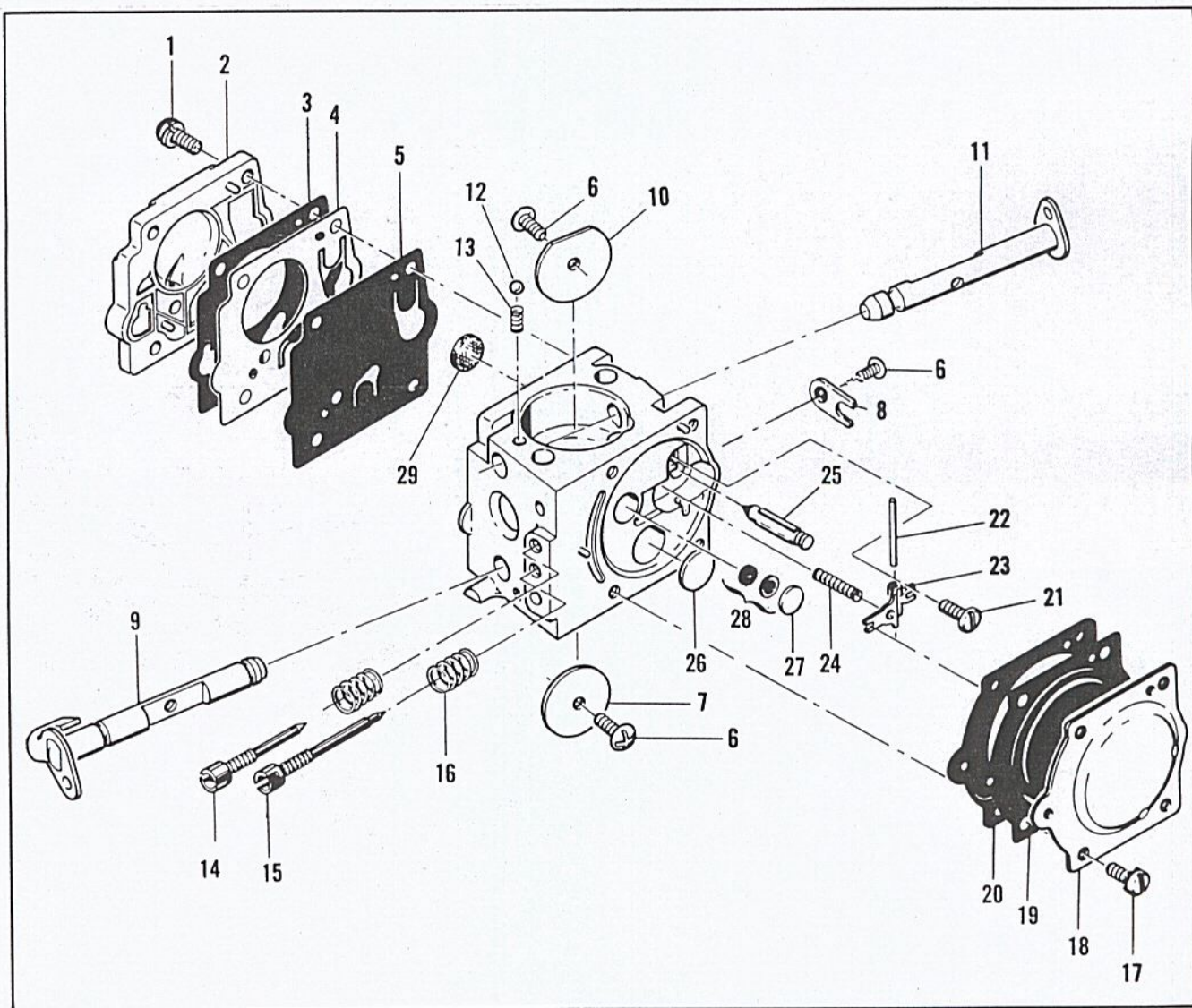


Figure 4. Carburetor Assembly

FIGURE 4. CARBURETOR ASSEMBLY

Item No.	Part Number	Description	Units Per Assy	Usable On Code					
MAC 6-10, 6-10A, Super 6-10A, Usable On Code									
	Model	6-10	6-10A	Super 6-10A	Super 6-10A	Super 6-10A	Super 6-10A		
	Letter	A	B	C	D	E	F		
	Serial Numbers	Prefix 10-	Prefix 12-, A12-	Prefix 14-, B13-, A13-	Prefix 15-, A14-	Prefix 17-, A15- 10001 to 12501	Prefix 17-, A15- 12502 & up		
1	84015	Carburetor Assy						1	All
2	67501	. Screw - Pump cover						4	All
3	83760	. Cover - Pump						1	All
4	*67495	. Gasket - Cover						1	All
5	*67498	. Diaphragm - Check valve						1	All
6	*83114	. Diaphragm - Fuel pump						1	All
7	*47690	. Screw - Plate						3	All
8	83762	. Plate - Throttle						1	All
9	67489	. Clip - Shaft						1	All
10	67486	. Shaft Assy - Throttle						1	All
11	67490	. Plate - Choke						1	All
12	67488	. Shaft Assy - Choke						1	All
13	*100302	. Ball - Choke friction						1	All
14	*67504	. Spring - Choke						1	All
15	*67506	. Needle - High speed						1	All
16	*67505	. Needle - Idle						1	All
17	*67502	. Spring - Needle						2	All
18	70798	. Screw - Diaphragm cover						4	All
19	83761	. Cover - Diaphragm						1	All
20	*67499	. Diaphragm - Metering						1	All
21	*67496	. Gasket - Diaphragm						1	All
22	*67500	. Screw - Lever pin						1	All
23	*67508	. Pin - Lever						1	All
24	*67509	. Lever - Metering						1	All
25	*67503	. Spring - Lever						1	All
26	*67491	. Valve - Needle						1	All
27	*71690	. Plug - 3/8						1	All
28	*69506	. Plug - 5/16						1	All
29	83758	. Kit - Valve & Seat Assy						1	All
	*67507	. Screen - Fuel						1	All
	*67482	Gasket Set							
	67481	Repair Kit							

*Indicates parts included in Repair Kit, P/N 67481

MAC 6-10A Chain Saw

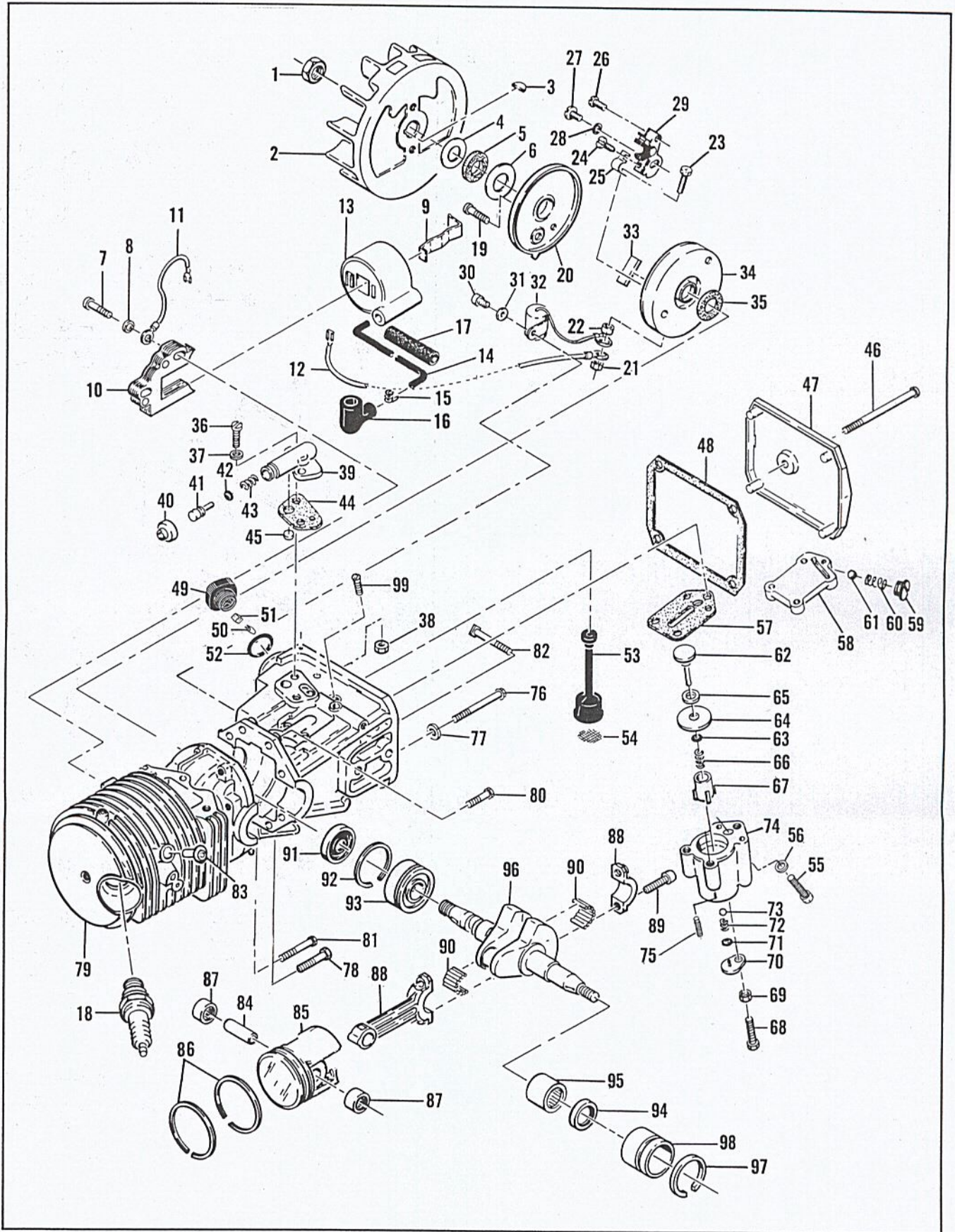


Figure 5. Powerhead Assembly

FIGURE 5. POWERHEAD ASSEMBLY

Item No.	Part Number	Description	Units Per Assy	Usable On Code			
MAC 6-10, 6-10A, Super 6-10A, Usable On Code							
	Model	6-10	6-10A	Super 6-10A	Super 6-10A	Super 6-10A	Super 6-10A
	Letter	A	B	C	D	E	F
	Serial Numbers	Prefix 10-	Prefix 12-, A12-	Prefix 14-, B13-, A13-	Prefix 15-, A14-	Prefix 17-, A15- 10001 to 12501	Prefix 17-, A15- 12502 & up
1	101391	Nut - Hex 3/8-24	1	A, B			
	110594	Nut - Hex 3/8-24	1	C, D, E, F			
2	84681	Flywheel Assy	1	All			
3	103879	Key - Woodruff	1	All			
4	67057	Washer - Thrust	1	All			
5	67056	Seal	1	All			
6	67054	Washer - Thrust	1	All			
7	110127	Screw - Hex hd 10-24 x 7/8 (SEMS)	2	All			
8	100003	Washer - #10	2	All			
9	51253	Retainer - Coil	1	All			
10	85138	Lamination Assy	1	All			
11	62819	Wire Assy - Ground	1	All			
12	69344	Wire Assy - Primary	1	All			
13	84972	Kit - Coil	1	All			
14	69966	Wire Assy - Spark plug	1	All			
15	62932	Connector	1	All			
16	62926	Boot	1	All			
17	67127	Sleeve	1	All			
18	63432	Spark Plug	1	All			
19	110349	Screw - Rd hd 8-32 x 3/4	1	All			
20	62362	Cover - Breaker box	1	All			
21	100298	Nut - Hex 6-32	1	All			
22	62365	Spacer - Breaker screw	1	All			
23	110346	Screw - Hex hd 6-32 x 3/4	1	All			
24	110489	Screw - Pan hd 6-32 x 7/16 s/t	1	C, D, E, F			
25	83126	Strap - Conduction	1	C, D, E, F			
26	100934	Screw - Rd hd 8-32 x 3/8	1	All			
27	110445	Screw - Truss 8-32 x 3/8	1	All			
28	105976	Washer - #8	1	All			
29	62363	Breaker Assy	1	A, B			
	66231	Breaker Assy	1	C, D, E, F			
30	103672	Screw - Fil hd 8-32 x 1/2 (SEMS)	1	All			
31	100080	Washer - #8	1	All			
32	85358	Condenser	1	A, B, C			
	67960	Condenser	1	D, E, F			
33	54184	Wiper	1	All			
34	62361	Box - Breaker	1	A, B			
	84329	Box - Breaker	1	C, D, E, F			
35	67051	Seal	1	All			
36	110623	Screw - Fil hd 8-32 x 1/2	2	All			
37	105976	Washer - #8	2	All			
38	100955	Nut - Hex 8-32	1	All			
39	84156	Housing - Pump	1	All			
40	62262	Cap - Housing	1	All			
41	62266	Plunger - Pump	1	All			
42	101056	"O" Ring	1	All			
43	66687	Spring	1	All			
44	62230	Gasket	1	All			
45	62909	Valve	1	All			
46	110291	Screw - Pan hd 10-24 x 2-5/8	1	All			
47	86304	Cover - Oil tank	1	All			
48	86306	Gasket - Cover	1	A, B			

This list continued on page 13

MAC 6-10A Chain Saw

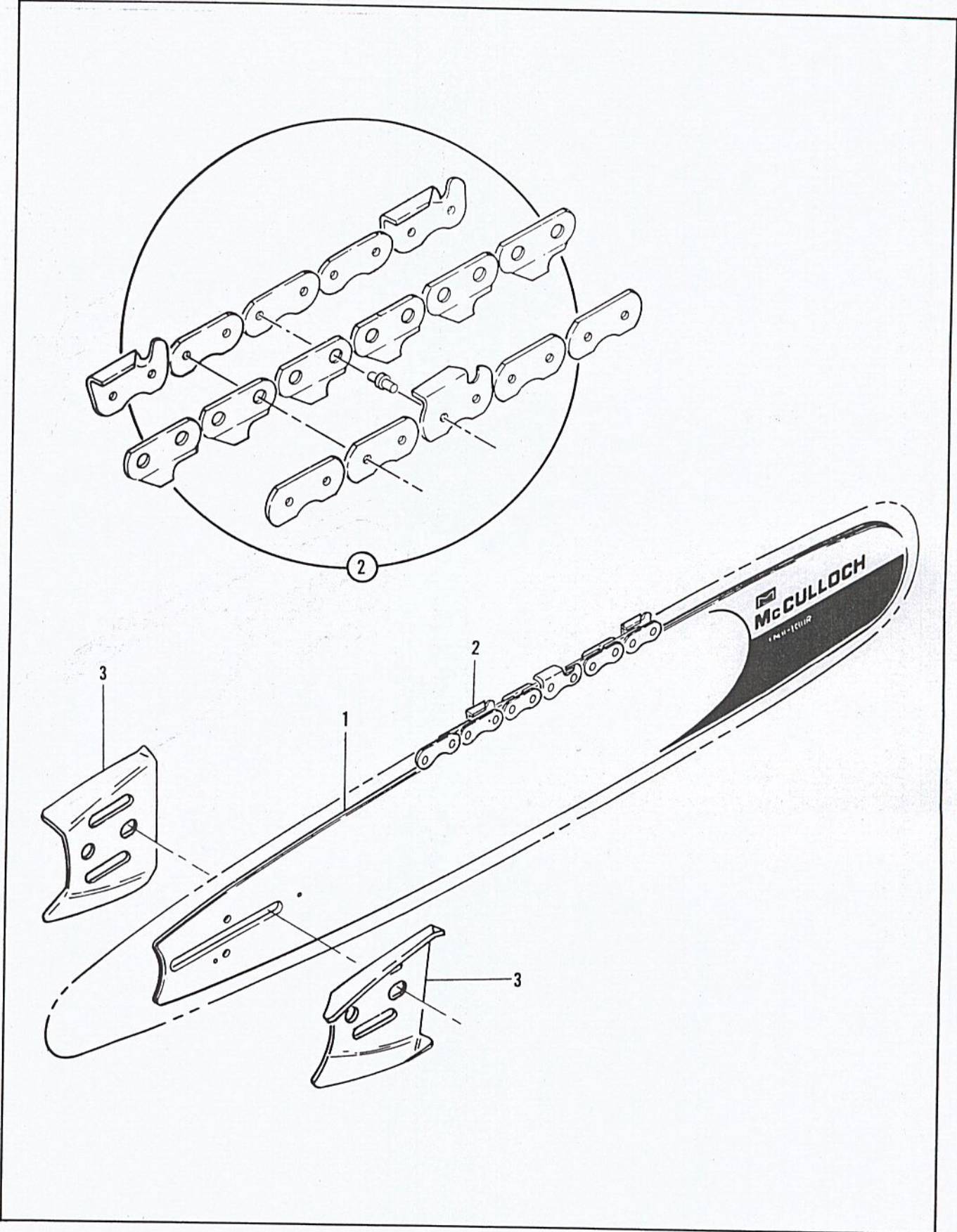


Figure 6. Bar & Chain Assembly

MAC 6-10A Chain Saw

FIGURE 6. BAR & CHAIN ASSEMBLIES

Item No.	Part Number	Description	Units Per Assy	Usable On Code					
MAC 6-10, 6-10A, Super 6-10A, Usable On Code									
	Model	6-10	6-10A	Super 6-10A	Super 6-10A	Super 6-10A	Super 6-10A		
	Letter	A	B	C	D	E	F		
	Serial Numbers	Prefix 10-	Prefix 12-, A12-	Prefix 14-, B13-, A13-	Prefix 15-, A14-	Prefix 17-, A15- 10001 to 12501	Prefix 17-, A15- 12502 & up		
1	63541	Bar						1	All
2	62556M	Chain Assy						1	All
	64330	Set - Bar Plate						1	All
3	64325	Plate - Bar						2	All

FIGURE 5. POWERHEAD ASSEMBLY (CONTINUED)

Item No.	Part Number	Description	Units Per Assy	Usable On Code
49	57129A	Cap - Oil tank	1	A, B
	68809	Cap - Oil tank	1	C, D, E, F
50	110737	Clip - Plug	1	C, D, E, F
51	84953	Plug - Cap	1	C, D, E, F
52	101148	"O" Ring	1	All
53	62123B	Hose Assy - Oil	1	All
54	51506	Screen - Hose	1	All
55	110713	Screw - Skt hd 10-24 x 7/8	1	F
56	24236	Washer - Special	1	F
57	62274	Gasket - Pulse pump	1	A
	86188	Gasket - Pulse pump	1	B, C, D, E, F
58	68711	Body Assy - Check valve	1	A
59	68714	Screw - Special	1	A
60	63034	Spring - Valve	1	A
61	100071	Ball - Check valve	1	A
	83786	Pump Assy - Pulse	1	B, C, D, E, F
62	60260A	Piston Assy - Pump	1	B, C, D, E, F
63	104001	"O" Ring	1	B, C, D, E, F
64	60263	Ring - Piston	1	B, C, D, E, F
65	60937	Washer - Teflon	1	B, C, D, E, F
66	60259	Spring - Piston	1	B, C, D, E, F
67	62227	Sleeve - Adjustment	1	B, C, D, E, F
68	110386	Screw - Hex hd 8-32 x 1	1	B, C, D, E, F
69	100251	Nut - Hex 8-32	1	B, C, D, E, F
70	62407	Cover - Outlet valve	1	B, C, D, E, F
71	106104	"O" Ring	1	B, C, D, E, F
72	62885A	Spring - Outlet valve	1	B, C, D, E, F
73	102809	Ball	1	B, C, D, E, F
74	83787	Body Assy - Pump	1	B, C, D, E, F
75	110643	Screw - Set	1	F
76	62105	Screw Assy - Sealing	4	All
77	62842	Washer - Sealing	4	
78	110288	Screw Assy - Hex hd 8-32 x 3/4	1	All
79	*85771	Crankcase Assy	1	All
80	110288	Screw Assy - Hex hd 8-32 x 3/4	2	All
81	110618	Screw Assy - Hex hd 8-32 x 1-3/8	1	All
82	62065	Bolt - Bar mounting	2	All

This list continued on page 14

MAC 6-10A Chain Saw

FIGURE 5. POWERHEAD ASSEMBLY (CONTINUED)

Item No.	Part Number	Description	Units Per Assy	Usable On Code
83	83137	. Valve - D. S. P.	1	A, B, C, D, E
	84221	. Valve - D. S. P.	1	F
84	65389	Pin - Piston	1	A, B
	69020	Pin - Piston	1	C, D, E, F
85	85240	Piston Assy	1	A, B
	85239	Piston Assy	1	C, D, E, F
86	85241	. Ring Set - Piston	1	All
87	103085	. Bearing - Needle	2	A, B
	110590	. Bearing - Needle	2	C, D, E, F
88	65401	Connecting Rod Assy	1	A, B
	85352	Connecting Rod Assy	1	C, D, E, F
89	61627A	. Screw - Skt hd special	2	All
90	63225	. Roller - Needle (set of 20)	1	All
91	61618	Seal - Oil	1	All
92	63464	Ring - Snap	1	All
93	63429B	Bearing - Ball	1	All
94	110260	Seal - Oil	1	All
95	104357	Bearing - Needle	1	All
96	85125	Crankshaft	1	All
97	63699	Ring - Bearing insert	1	All
98	63701	Insert - Bearing	1	All
99	110333	Screw - Oval hd 8-32 x 1/2	3	A, B, C, D, E

*For MAC 6-10 engines not equipped with a DSP valve, order Crankcase Kit, P/N 84695.

ACCESSORIES

Part Number	Description
85726	Manual - Owner's
62827	Wrench - Screwdriver
63746	Scrench
63341A	Kit - Spike
84922	Baffle - Spark arrester screen
69058	Kit - Wrap-around frame
65712	Guide - Timing
63097	Spark Plug AC CS 45T
65778	Spark Plug AC CS 41T
69191	Kit - Pressure adaptor
62379B	Baffle - Muffler

MAC6-10A Chain Saw

40:1 TWO-CYCLE MOTOR OIL

Reduces smoke, carbon and engine wear.



6 oz. can #78960
6-pack #78961
16 oz. can #78963
6-pack #78964
1 qt. bottle #110626

CHAIN, BAR AND SPROCKET OIL

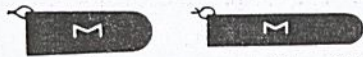
Specially designed for extra lubrication of bars and chains.



1 qt. bottle #110631
Case of 24 #110632

BAR GUARDS

Protect bar and chain from accidental damage.



A

B

(A) for wide bars #56927

Black Polyvinylchloride

(B) narrow bars #64930



C

D

(C) MAC 10 - 16, 20" #66544

Rigid Yellow Plastic

(D) PM 6 - 12, 16" #83124

LOCQUIC AND

Primer. Cleans, degreases, and accelerates curing.

7-1/2 oz. spray can. #69794



LOCTITE

Sealant, bonding agent

10cc plastic bottle



#67537

SPRAY PAINT

Black

12 oz. can #103503
Case of 12 #103400

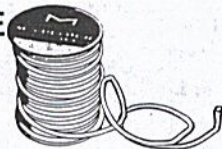


Yellow

12 oz. can #102449
Case of 12 #102464

STARTER ROPE

Solid, braided nylon




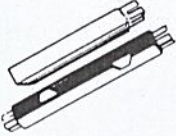
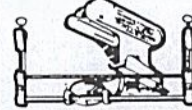


100' spool

#36825

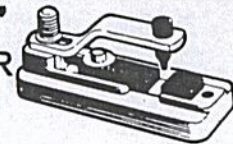
CHAIN SHARPENING TOOLS

The ● shows which tools are used on chains

	S-25	SM-57	S-40	S-80	S-90
McCULLOCH FILES					
 1/8" round	●				
5/32" round	●	●			
3/16" round		●			
7/32" round			●		
1/4" round				●	
9/32" round					●
8" flat	●	●	●	●	●
6" flat safety	●	●	●	●	●
FILE GUIDE & FILE					
 #67750 (1/8" round)	●				
#60950 (7/32" round)			●		
(Also holds 3/16 and 1/4" round)				●	
					
DEPTH GAUGE TOOLS					
 #56241 .045-.060"				●	●
#64198 .035-.060"				●	●
#64359 .045-.050"				●	●
#67688 .015-.020"	●				
#67680 .025-.030"	●	●	●	●	●
FILE-N-JOINT					
 Assures correct filing angle, height.					
#61034	●	●	●	●	●

"BREAK ALL" CHAIN BREAKER

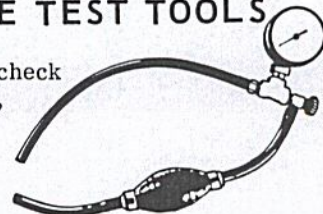
Required when repairing chain.



#61753
Instructions included.

PRESSURE TEST TOOLS

For leakage check of crankcase, fuel system.



Basic unit
#62849