

Models	Serial Number Prefix
600052	11-
600052D	12-, 13-, 14-, 15-
600052B	12-, 13-, 14-, 15-
600052C	12-
600052J	12-, 14-, 15-
600052A	12-, 13-, 14-, 15-
600052K	14-, 15-

7-10A chain saws are identified by a model number (600052) followed by a suffix letter (A, B, C, etc.) stamped on the identification plate attached to the saw. Suffix letters denote variations in parts or assemblies in manufacture of the saw.

Part numbers listed in this I.P.L. and followed by a suffix letter, indicate the part is used on the model identified by that letter.

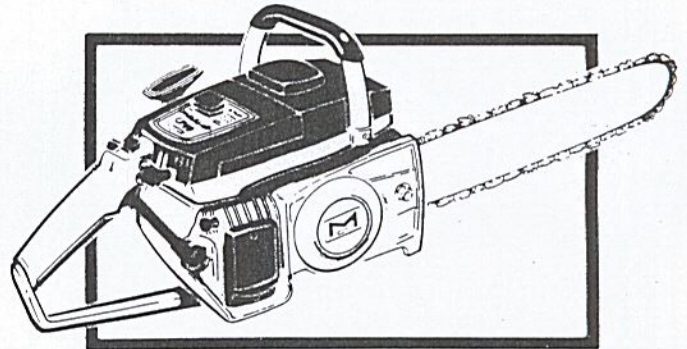
Part numbers listed without suffix letter or letters apply to all models of the 7-10A saw unless specifically noted otherwise.

The policy of McCulloch Corporation is one of continual improvement in design, manufacturing and engineering advancement wherever possible to assure still finer two-cycle power tools. Hence, specifications, equipment, colors, design and manufacturer's suggested list prices are subject to change without notice and McCulloch Corporation reserves the right to make such changes without prior notification or obligation to backfit or supply backfit components for units previously shipped from the factory.

I.P.L. 91123 supersedes and cancels  
I.P.L. 90539

# 7-10A CHAIN SAW

## ILLUSTRATED PARTS LIST



**DECEMBER 1974**

Page

Figure 1. General.....	2
Figure 2. Fan Housing & Starter Assemblies .....	4
Figure 3. Fuel Tank Assembly....	4
Figure 4. Carburetor Assembly...	6
Figure 5. Carburetor Assembly...	6
Figure 6. Carburetor Assembly...	8
Figure 7. Carburetor Assembly...	8
Figure 8. Powerhead Assembly...	10



# McCULLOCH

COPYRIGHT U.S.A. 1974  
McCULLOCH CORPORATION  
Printed in U.S.A.

91123

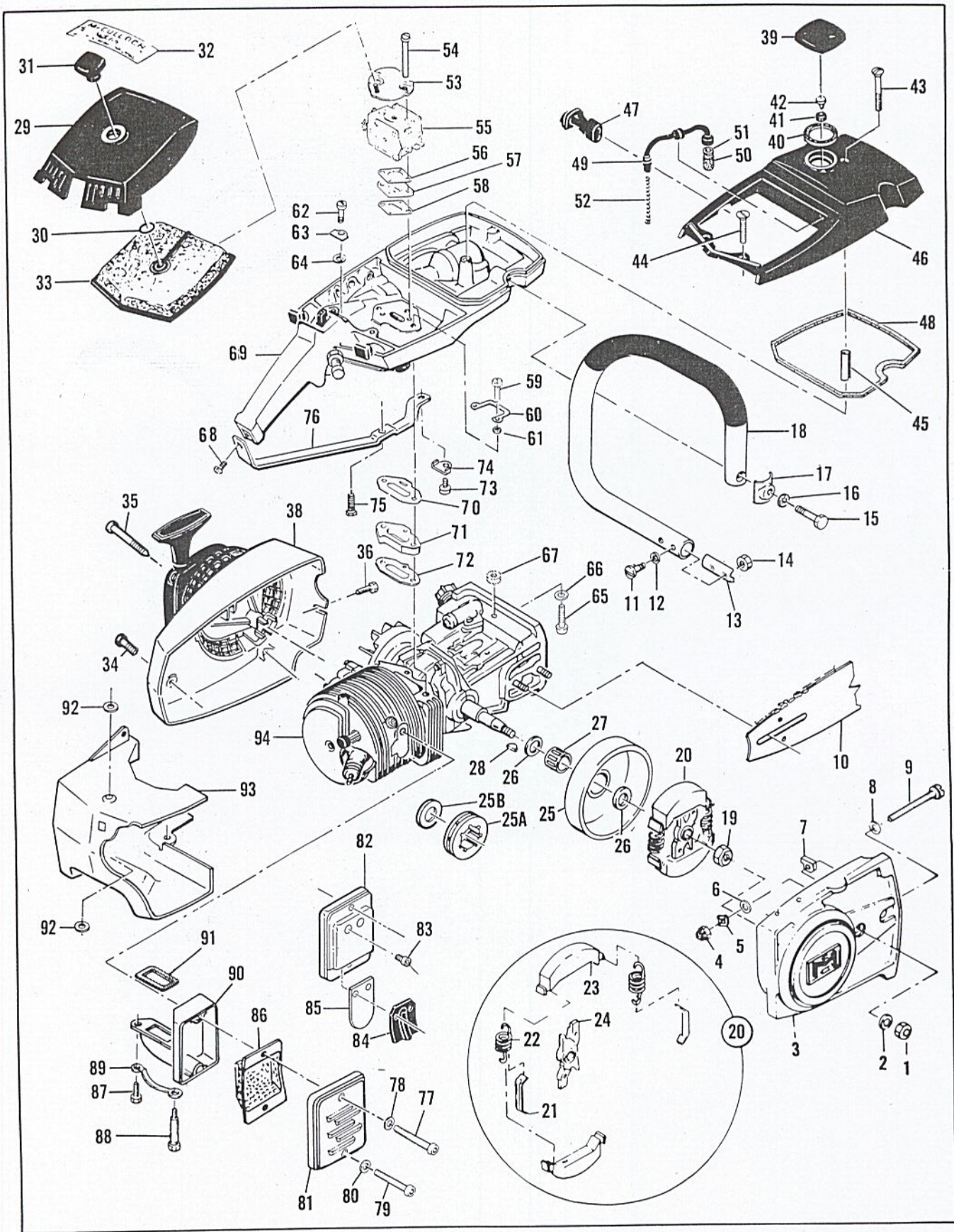


Figure 1. General

FIGURE 1. GENERAL

Item No.	Part Number	Description	Units Per Assy	Item No.	Part Number	Description	Units Per Assy
1	110454	Nut - Hex 5/16-24	2	43	110402	Screw - Oval hd 12-24 x 2-3/8	1
2	100440	Washer - 5/16	2	44	103579	Screw - Fl hd 10-24 x 1	2
3	88586	Clutch Guard Assy	1	45	87840	Spacer	1
4	102067	. Nut - Hex 10-24	1	46	84252	Cover - Fuel tank (S/Ns prefixed 11-)	1
5	110387	. Washer - Wavey	1		88650	Cover - Fuel tank (S/Ns prefixed 12-, 13-)	1
6	100002	. Washer - #10	1		87815	Cover - Fuel tank (S/Ns prefixed 14-)	1
7	61705	. Nut - Bar adjustment	1		-89425	Cover - Fuel Tank (S/Ns prefixed 15-)	1
8	110264	. Washer - #10	1	47	84253	Boot - Carburetor (S/Ns prefixed 11-)	1
9	102144	. Screw - Bar adjustment	1		87665	Boot - Carburetor (S/Ns prefixed 12-, 13-)	1
10		Bar & Chain Assy	1	48	69345	Gasket - Cover	1
11	110865	Screw - Hex hd 10-24 x 7/8	2	49	64848	Hose Assy - Fuel	1
12	100352	Washer - #10	2	50	63932	. Filter - Fuel	1
13	89727	Plug - Retainer	1	51	100440	. Washer	1
14	101326	Nut - Hex 10-24 (S/Ns prefixed 11-, 12-, 13-)	2	52	67944	Spring - Hose	1
15	102130	Screw - Hex hd 1/4-20 x 1-1/2	1	53	83204	Bracket Assy	1
16	100153	Lockwasher - 1/4	1	54	103357	. Screw - Hex hd 10-24 x 2-1/4	2
17	63484	Clamp - Frame	1	55		Carburetor Assy (See Figures 4, 5, 6, and 7)	
18	87686	Frame & Grip Assy	1	56	86189	Gasket - Carburetor	1
19	110594	Nut - Hex 3/8-24 (R. H., S/Ns prefixed 11-)	1	57	84078	Spacer - Carburetor	1
	86113	Nut - Hex 3/8-24 (L. H., S/Ns prefixed 12-, 13-, 14-)	1	58	84081	Gasket - Spacer	1
20	84682	Clutch Assy (S/Ns prefixed 11-)	1	59	110567	Screw - Hex hd 12-24 x 1-1/4	2
	87675	Clutch Assy (S/Ns prefixed 12-, 13-, 14-, 15-)	1	60	68582	Lockplate	1
21	64583	. Retainer - Spring	2	61	102115	Washer - #12	2
22	83223	. Spring - Clutch	2	62	110568	Screw - Hex hd 12-24 x 1-1/8	1
23	67233	. Shoe - Clutch	2	63	69516	Lockplate	1
24	62204C	. Rotor Assy (S/Ns prefixed 11-)	1	64	64856	Washer - Special	1
	-89438	. Rotor Assy (S/Ns prefixed 12-, 13-, 14-, 15-)	1	65	110713	Screw - Skt hd 10-24 x 7/8	1
25	86948	Drum (B, C, D, J, K)	1	66	100003	Washer - #10	1
25A	86951	Sprocket - .375 (B, C, D, J, K)	1	67	69772	Spacer	1
25B	86958	Washer - Sprocket (B, C, D, J, K)	1	68	106078	Screw - Pan hd 10-24 x 7/16 (S/Ns prefixed 11-, 12-)	1
(25)	66979	Kit - Sprocket & Drum - .404 (A)	1		104816	Screw - Pan hd 10-24 x 1-1/4 (S/Ns prefixed 13-, 14-, 15-)	1
26	61692	. Shim (A)	2	69		Fuel Tank Assy (See Figure 3)	
27	110330	Bearing	1	70	84082	Gasket - Fuel tank	1
28	103879	Key - Woodruff (S/Ns prefixed 11-)	1	71	84080	Insulator - Fuel tank	1
29	68530	Cover Assy - Air cleaner	1	72	68594	Gasket - Insulator	1
30	110565	. Ring - Retainer	1	73	110566	Screw - Hex hd 12-24 x 5/8	1
31	68529	. Knob - Cover	1	74	68508	Lockplate	1
32	87176	Nameplate	1	75	110682	Screw - Hex hd 10-24 x 5/8	1
33	69922	Filter - Air	1	76	85007	Brace - Handle	1
34	110741	Screw - Pan hd 10-24 x 1/2	1	77	104534	Screw - Skt hd 10-24 x 1-7/16	1
35	62978	Screw - Special	3	78	24236	Washer - Special	2
36	-110741	Screw - Pan hd 10-24 x 1/2	1	79	101563	Screw - Skt hd 10-24 x 1-1/4	1
37		Deleted		80	110264	Washer - #10 (S/Ns prefixed 11-, 12-)	1
38		Fan Housing & Starter (See Figure 2)		81	88779	Cover - Muffler (D, B, C, A, K)	1
39	89322	Cap Assy - Fuel	1	82	87683	Cover & Valve Assy - Muffler (A, J)	1
40	69767	. Gasket	1	83	110472	Screw - Skt hd 8-32 x 5/16 (A, J)	2
41	86453	Plug (S/Ns prefixed 11-, 12-)	1	84	87286	Stop - Reed (A, J)	1
42	53766A	Valve (S/Ns prefixed 11-, 12-)	1				

This list continued on page 5

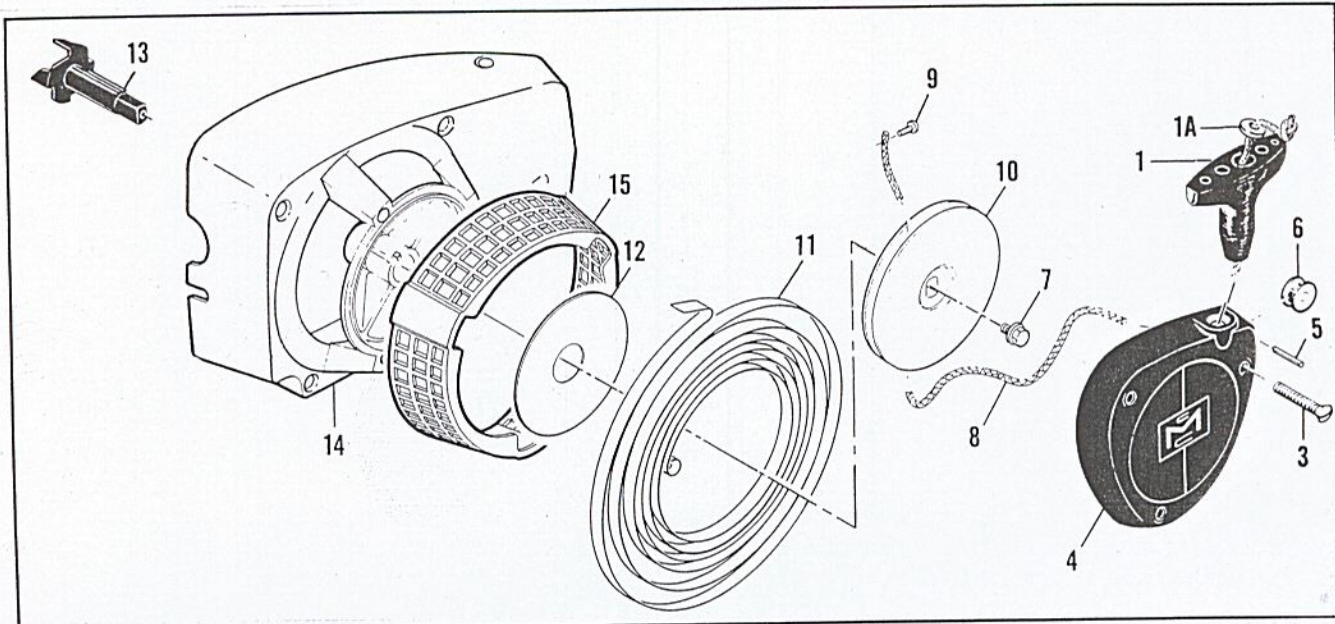


Figure 2. Fan Housing & Starter Assemblies

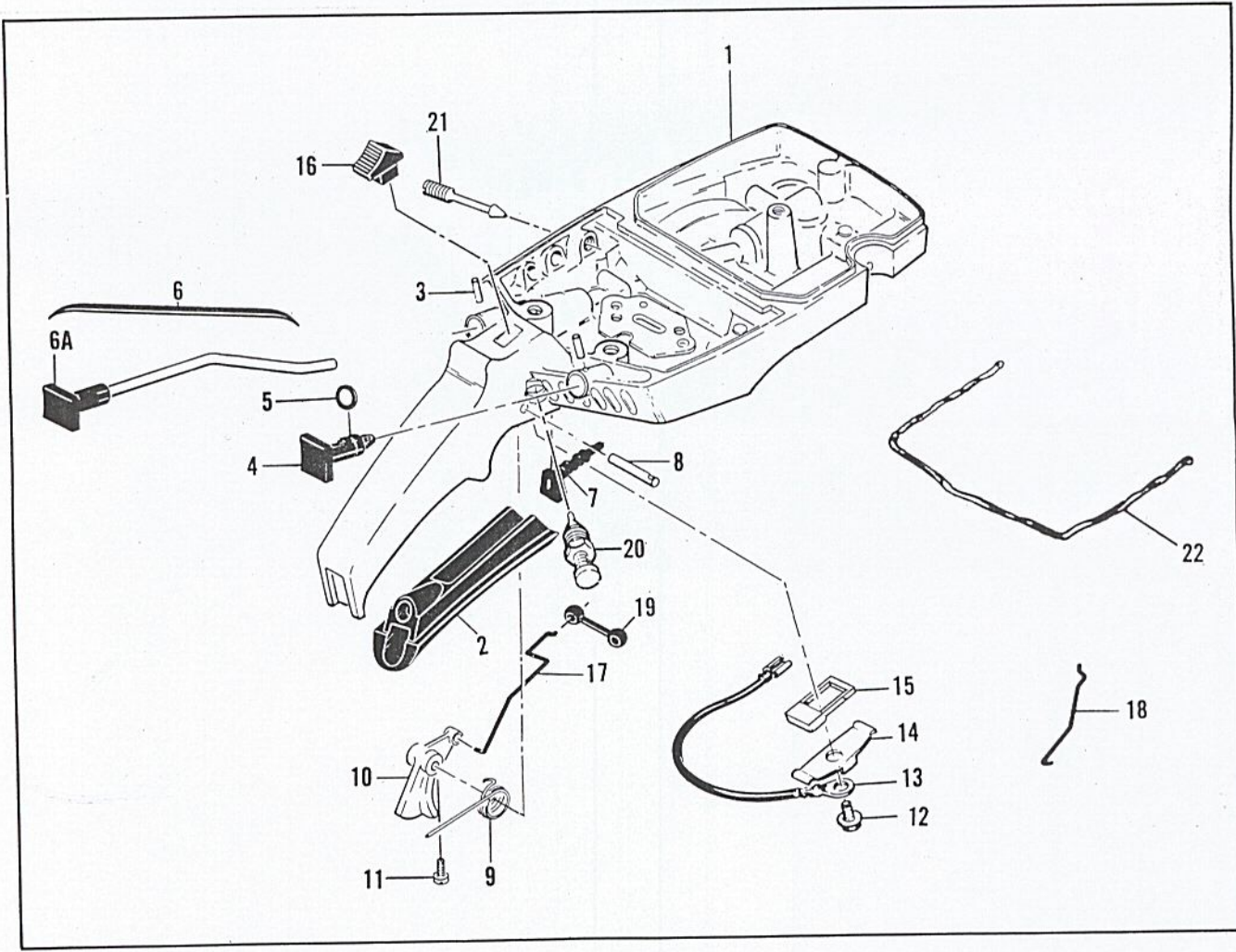


Figure 3. Fuel Tank Assembly

FIGURE 1. GENERAL (CONTINUED)

Item No.	Part Number	Description	Units Per Assy
85	87682	Valve - Reed (A, J)	1
86	85152	Baffle - Muffler (B, C, J. A)	1
87	110529	Screw - Hex hd 10-24 x 1/2	1
88	68187	Screw - Special	1
89	67922	Lockplate	1
90	83106	Body & Duct Assy (S/Ns prefixed 11-, 12-)	1

Item No.	Part Number	Description	Units Per Assy
	87663	Body & Duct Assy (S/Ns prefixed 13-, 14-, 15-)	1
91	84007	Gasket - Spark arrestor	1
92		Deleted	
93	85731	Shroud	1
94		Powerhead Assy (See Figure 8)	

FIGURE 2. FAN HOUSING & STARTER ASSEMBLIES

Item No.	Part Number	Description	Units Per Assy
1	-91255	Kit - Starter handle	1
1A*		Washer	1
2		Deleted	
3	110646	Screw - Oval hd 8-32 x 1-1/8	3
4	87672	Cover - Starter	1
5	110657	Pin - Roll (S/Ns prefixed 11-)	1

Item No.	Part Number	Description	Units Per Assy
6	84051	Pulley - Rope (S/Ns prefixed 11-)	1
7	110341	Screw - Hex hd 10-24 x 1/2	1
8	68162	Rope - Starter	1
9	110470	Rivet - Rope	1
10	85122	Drum - Starter	1
11	87680	Spring - Rewind	1
12	86053	Shield - Spring	1
13	83748	Shaft - Starter	1
14	87693	Kit - Housing	1
15	**87674	. Guard - Sawdust	1

\* Contained in Kit, P/N 91255  
 \*\* Contained in Kit, P/N 87693

Part numbers which have changed since the previous printing of the illustrated parts list covering these saws, are indicated by a dash (-) preceding the new part number.

FIGURE 3. FUEL TANK ASSEMBLY

Item No.	Part Number	Description	Units Per Assy
1	84183	Fuel Tank	1
2	64872	Grip - Handle (S/Ns prefixed 11-, 12-)	1
	89320	Grip - Handle (S/Ns prefixed 13-, 14-, 15-)	1
3	105673	Pin - Roll 3/32 x 9/16	2
4	69041	Button - Choke	1
5	105614	"O" Ring	1
6	64871	Button & Rod Assy	1
6A	-63044	. Button - Oiler	1
7	68522	Seal - Throttle rod	1
8	110378	Pin - Roll 3/16 x 15/16	1
9	87178	Spring - Throttle return	1
10	88796	Trigger	1
11	110668	Screw - Fil hd 8-36 x 5/8	1
12	103672	Screw - Fil hd 8-32 x 1/2 (SEMS)	1

Item No.	Part Number	Description	Units Per Assy
13	62973A	Wire Assy - Stop-switch	1
14	62451	Contact - Switch	1
15	62950A	Base - Switch	1
16	68846	Button - Switch	1
17	85107	Rod - Throttle	1
18	69042	Rod - Choke	1
19	69043	Snubber - Rod	1
20	85451	Latch Assy - Throttle	1
21	67271	Screw - Idle adjustment (S/Ns prefixed 11-)	1
	86273	Screw - Idle adjustment (S/Ns prefixed 12-)	1
	87932	Screw - Idle adjustment (S/Ns prefixed 13-, 14-)	1
22	*69564	Seal - Airbox	AR

\*Furnished on a 12-1/2 inch strip containing 9 beads (enough for 9 replacements)

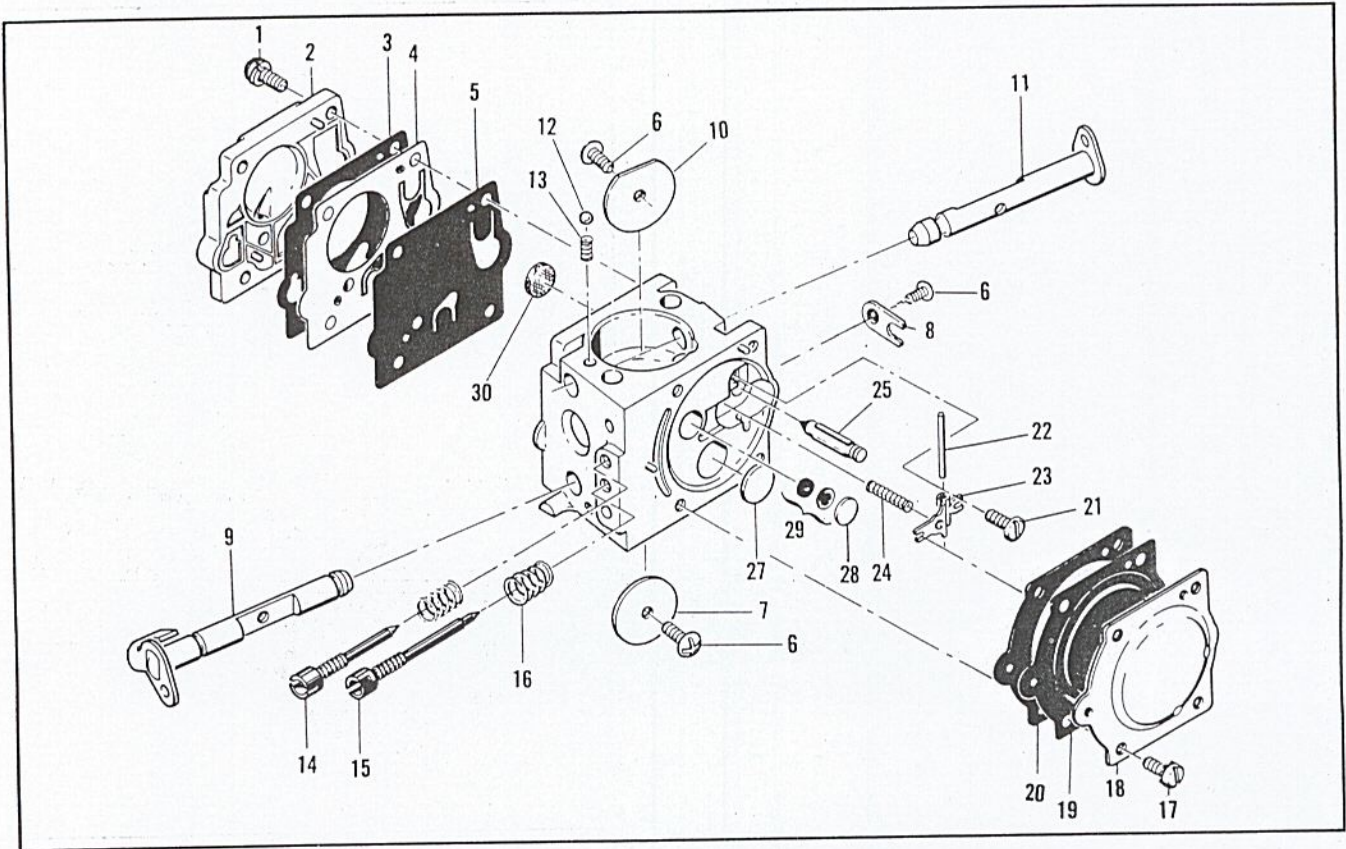


Figure 4. Carburetor Assembly

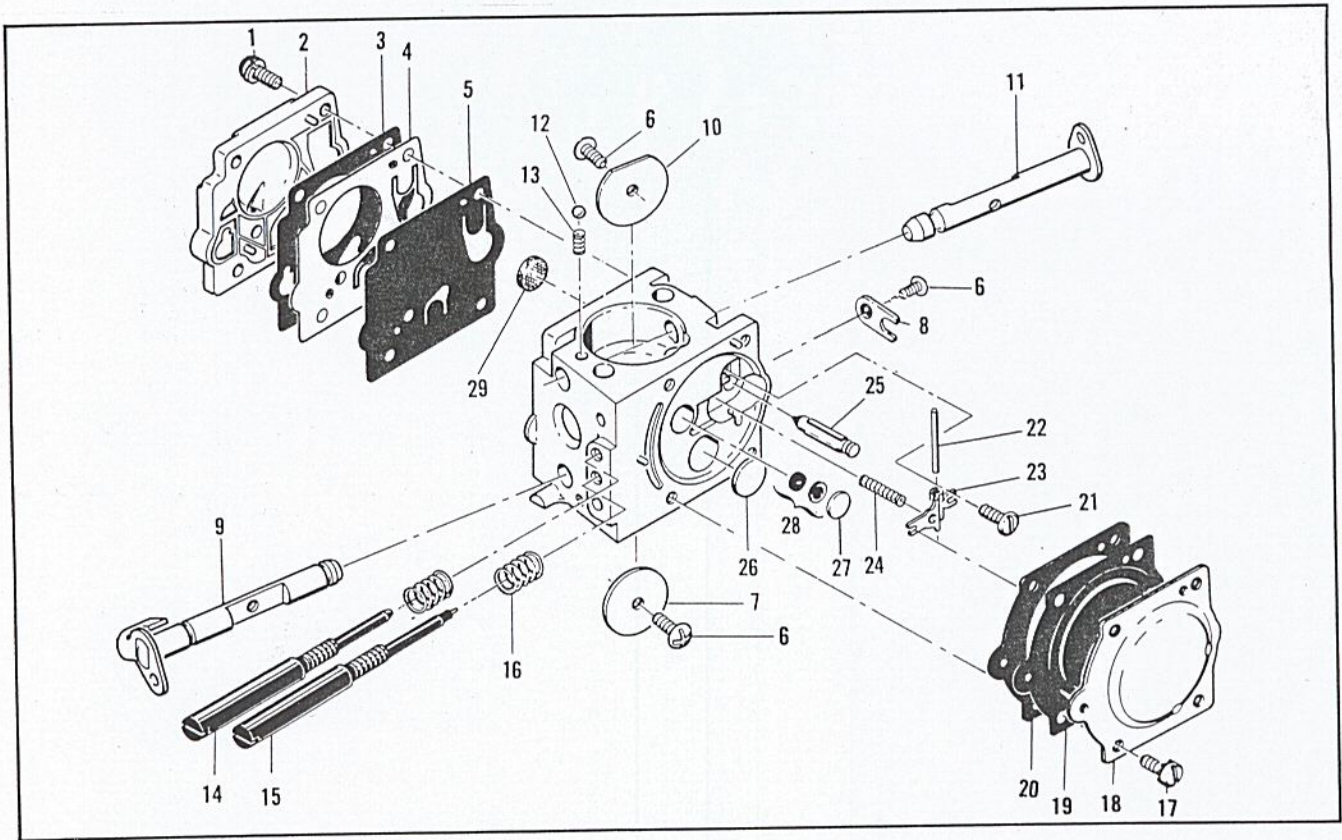


Figure 5. Carburetor Assembly

FIGURE 4. CARBURETOR ASSEMBLY

Item No.	Part Number	Description	Units Per Assy
	**84015	Carburetor Assy	1
1	67501	. Screw - Pump cover	4
2	83760	. Cover - Pump	1
3	*67495	. Gasket - Cover	1
4	*67498	. Diaphragm - Check valve	1
5	*83114	. Diaphragm - Fuel pump	1
6	*47690	. Screw - Plate	3
7	83762	. Plate - Throttle	1
8	67489	. Clip - Shaft	1
9	67486	. Shaft Assy - Throttle	1
10	67490	. Plate - Choke	1
11	67488	. Shaft Assy - Choke	1
12	*100302	. Ball - Choke friction	1
13	*67504	. Spring - Choke	1
14	*67506	. Needle - High speed	1
15	*67505	. Needle - Idle	1
16	*67502	. Spring - Needle	2

Item No.	Part Number	Description	Units Per Assy
17	70798	. Screw - Diaphragm cover	4
18	83761	. Cover - Diaphragm	1
19	*67499	. Diaphragm - Metering	1
20	*67496	. Gasket - Diaphragm	1
21	*67500	. Screw - Lever pin	1
22	*67508	. Pin - Lever	1
23	*67509	. Lever - Metering	1
24	*67503	. Spring - Lever	1
25	*67491	. Valve - Needle	1
26	Deleted		
27	*71690	. . Plug - 3/8	1
28	*69506	. . Plug - 5/16	1
29	83758	. . Kit - Valve & Seat Assy	1
30	*67507	. . Screen - Fuel	1
	*67482	Gasket Set	
	67481	Repair Kit	

\* Contained in Kit, P/N 67481

\*\* (S/N's prefixed 11-)

FIGURE 5. CARBURETOR ASSEMBLY

Item No.	Part Number	Description	Units Per Assy
	**87666	Carburetor Assy	1
1	67501	. Screw - Pump cover	4
2	83760	. Cover - Pump	1
3	*67495	. Gasket - Cover	1
4	*67498	. Diaphragm - Check valve	1
5	*83114	. Diaphragm - Fuel pump	1
6	*47690	. Screw - Plate	3
7	83762	. Plate - Throttle	1
8	67489	. Clip - Shaft	1
9	67486	. Shaft Assy - Throttle	1
10	67490	. Plate - Choke	1
11	67488	. Shaft Assy - Choke	1
12	*100302	. Ball - Choke friction	1
13	*67504	. Spring - Choke	1
14	*87915	. Needle - High speed	1

Item No.	Part Number	Description	Units Per Assy
15	*87916	. Needle - Idle	1
16	*67502	. Spring - Needle	2
17	*70798	. Screw - Diaphragm cover	4
18	83761	. Cover - Diaphragm	1
19	*67499	. Diaphragm - Metering	1
20	*67496	. Gasket - Diaphragm	1
21	*67500	. Screw - Lever pin	1
22	*67508	. Pin - Lever	1
23	*67509	. Lever - Metering	1
24	*67503	. Spring - Lever	1
25	*67491	. Valve - Needle	1
26	*71690	. Plug - 3/8	1
27	*69506	. Plug - 5/16	1
28	83758	. Kit - Valve & Seat Assy	1
29	*67507	. Screen - Fuel	1
	89216	Repair Kit	

\* Contained in Kit, P/N 89216

\*\* (S/N's prefixed 12-, 13-)

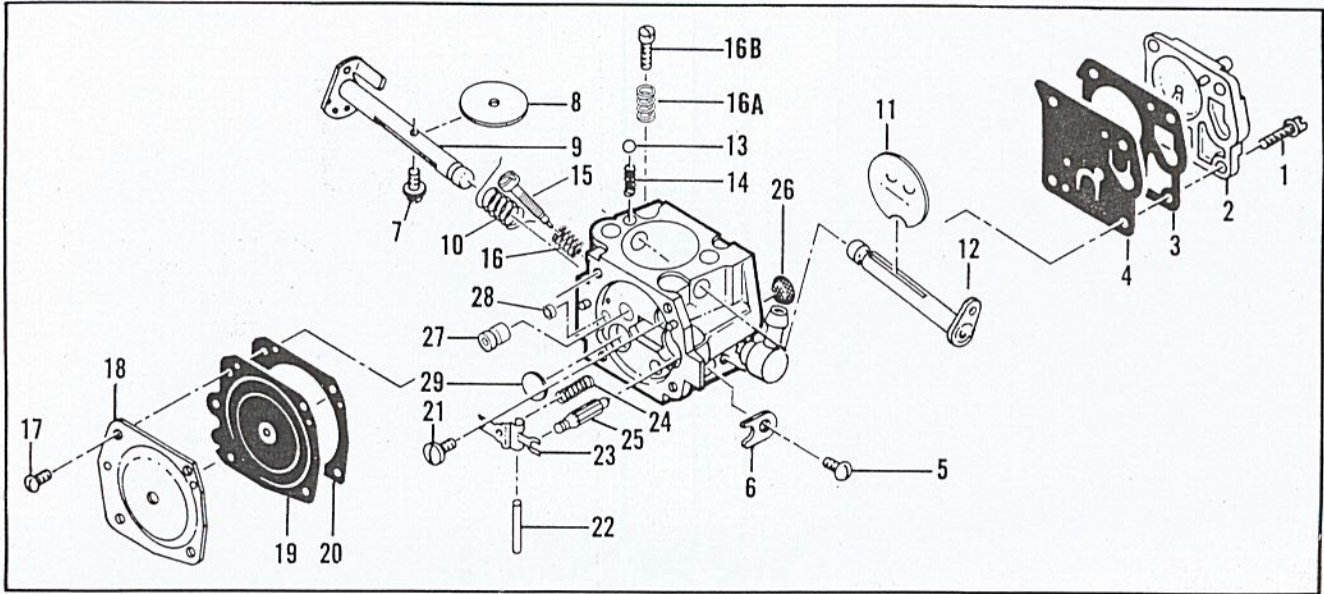


Figure 6. Carburetor Assembly

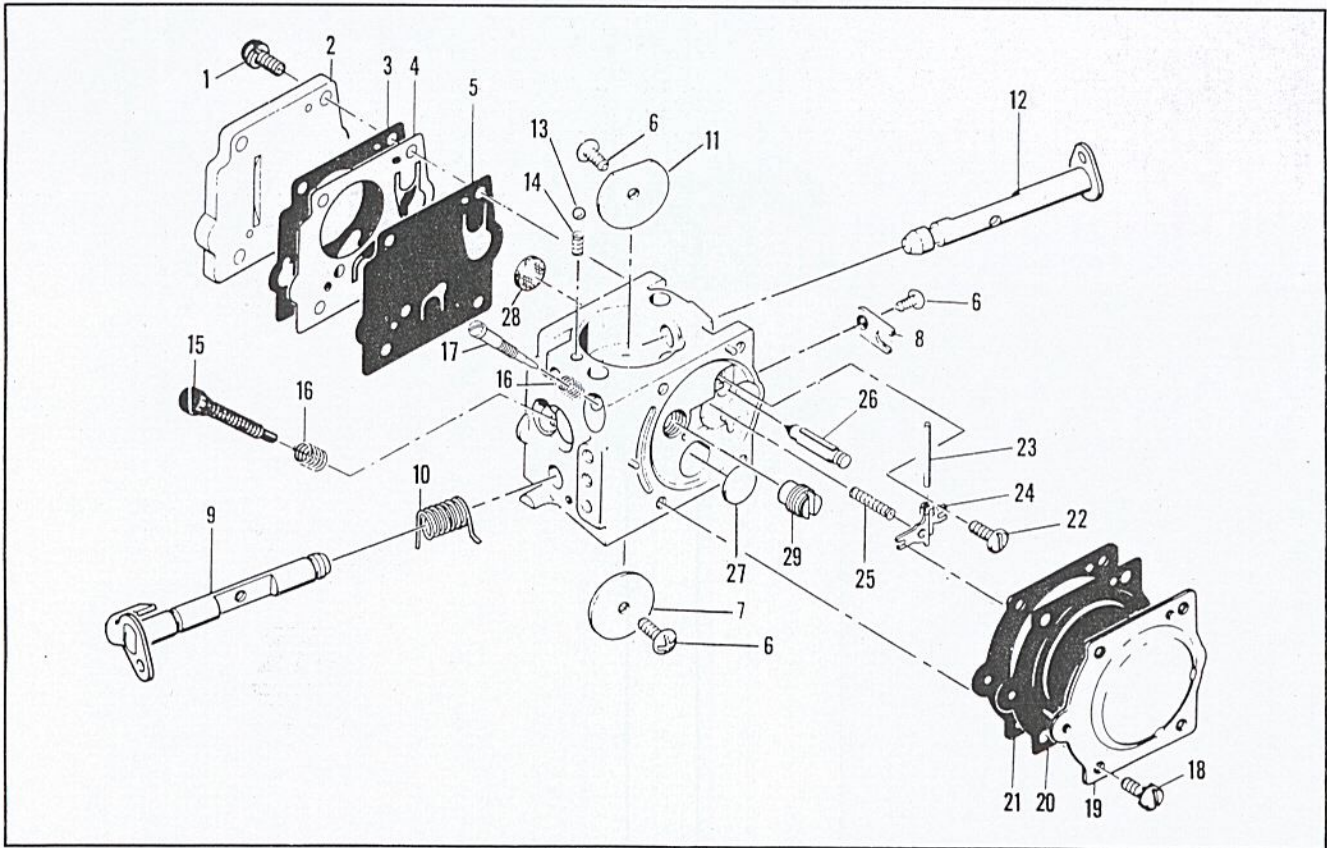


Figure 7. Carburetor



FIGURE 6. CARBURETOR ASSEMBLY

Item No.	Part Number	Description	Units Per Assy
	***-91121	Carburetor Assy	1
	**87809	Carburetor Assy	1
1	52933	. Screw - Pump cover	4
2	66628	. Cover - Pump	1
3	66629	. Gasket - Pump cover	1
4	*66630	. Diaphragm - Fuel pump	1
5	48780	. Screw - Throttle shaft clip	1
6	66646	. Clip - Throttle shaft	1
7	*48780	. Screw - Throttle plate	1
8	51720	. Plate - Throttle	1
9	87922	. Shaft Assy - Throttle	1
10	*67136	. Spring - Throttle shaft	1
11	65856	. Plate - Choke	1
12	83725	. Shaft Assy - Choke	1
13	100071	. Ball - Choke friction	1
14	48759	. Spring - Choke friction	1
15	88768	. Needle - Idle mixture	1
16	*66626	. Spring - Idle	1
16A †	66626	. Spring - Idle	1
16B †	-66625	. Screw - Idle speed adjustment	1

Item No.	Part Number	Description	Units Per Assy
17	51721	. Screw - Diaphragm cover	4
18	83724	. Cover - Diaphragm	1
19	*66632	. Diaphragm - Metering	1
20	66633	. Gasket - Diaphragm	1
21	*66644	. Screw - Inlet lever pin	1
22	*66636	. Pin - Inlet lever	1
23	*66638	. Lever - Inlet	1
24	*66404	. Spring - Inlet lever	1
25	66637	. Needle - Inlet	1
26	*66623	. Screen - Fuel inlet	1
27	88771	. Jet - H/S fuel (029)	1
	88772	Jet - H/S fuel (028)	Alt.
	88781	Jet - H/S fuel (027)	Alt.
28	52928	. Plug - Cup	1
29	*66622	. Plug - Welch	1
	*88774	Gasket Set	
	88775	Repair Kit	
	88776	Gasket & Diaphragm Set	

\*Indicates parts included in Repair Kit, P/N 88775.

\*\* (S/N Prefixed 14-)

\*\*\*S/N Prefixed 15-. HS 165A, alternate (Fig. 6).

S/N Prefixed 15-. SDC 58, alternate (Fig. 7).

Before ordering parts, identify carburetor on saw.

†S/N Prefixed 15-

FIGURE 7. CARBURETOR ASSEMBLY

Item No.	Part Number	Description	Units Per Assy
	***-91275	Carburetor Assy	1
1	67501	. Screw - Pump cover	4
2	88731	. Kit - Pump cover	1
3	**88617	. Gasket - Cover	1
4	*67498	. Diaphragm - Check valve	1
5	*83114	. Diaphragm - Fuel pump	1
6	*47690	. Screw - Plate	3
7	83762	. Plate - Throttle	1
8	67489	. Clip - Shaft	1
9	67486	. Shaft Assy - Throttle	1
10	85981	. Spring - Throttle return	1
11	67490	. Plate - Choke	1
12	67488	. Shaft Assy - Choke	1
13	*100302	. Ball - Choke friction	1
14	*67504	. Spring - Choke friction	1
15	*68106	. Screw - Idle speed	1
16	*67502	. Spring - Idle	2
17	90345	. Needle - Idle mixture	1
18	70798	. Screw - Diaphragm cover	4

Item No.	Part Number	Description	Units Per Assy
19	83761	. Cover - Diaphragm	1
20	*67499	. Diaphragm - Metering	1
21	**67496	. Gasket - Diaphragm	1
22	*67500	. Screw - Lever pin	1
23	*67508	. Pin - Lever	1
24	*67509	. Lever - Inlet	1
25	*67503	. Spring - Lever	1
26	*67491	. Valve - Needle	1
27	*71690	. Plug - 3/8	1
28	*67507	. Screen - Fuel	1
29	90350	. Jet - H/S fuel (28)	1
	90351	Jet - H/S fuel (26)	Alt
	90349	Jet - H/S fuel (29)	Alt
	*88619	Kit - Gasket	
	88620	Kit - Repair	

\*\* Contained in Gasket Kit 88619

\* Contained in Repair Kit 88620

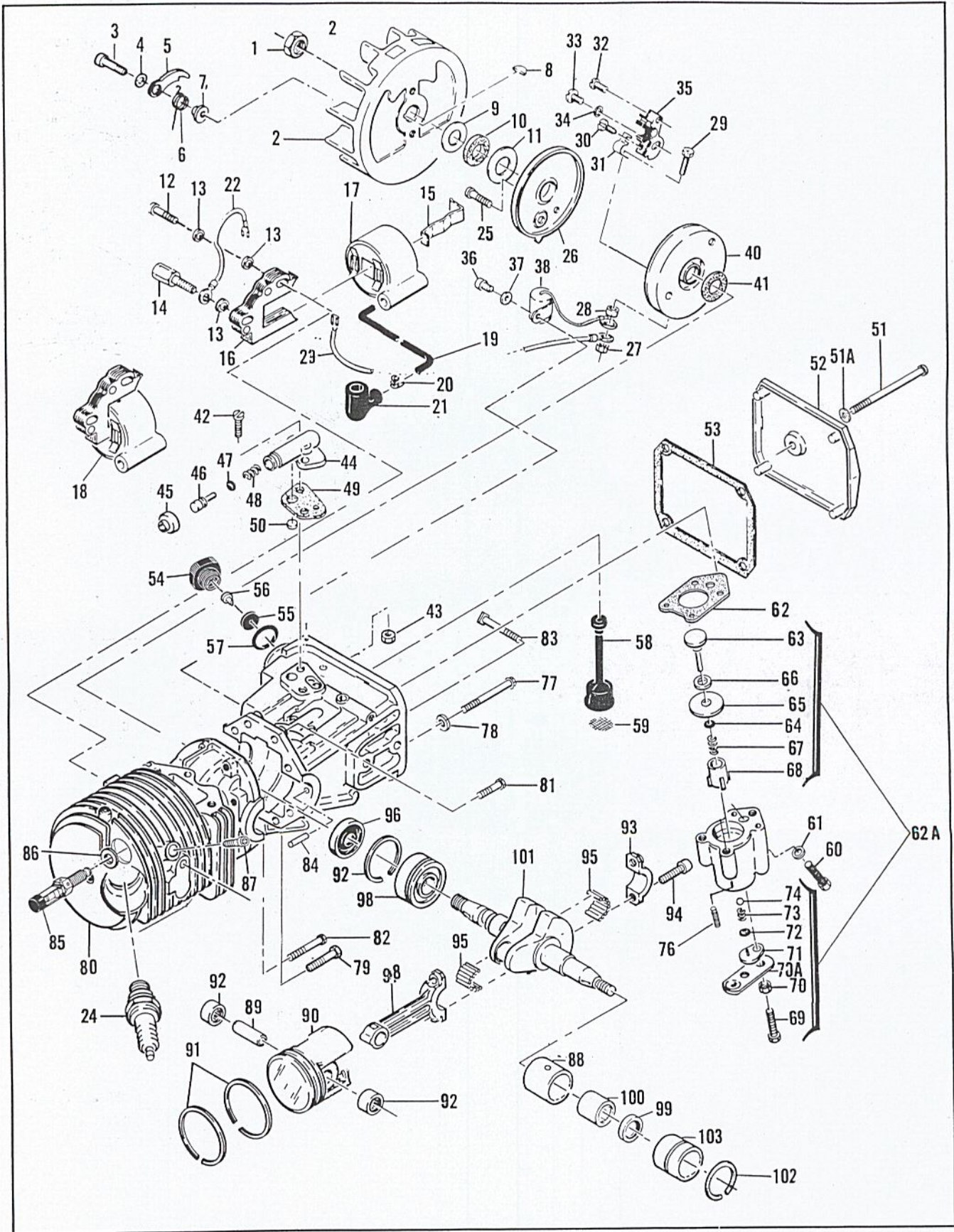


Figure 8. Powerhead Assembly

FIGURE 8. POWERHEAD ASSEMBLY

Item No.	Part Number	Description	Units Per Assy	Item No.	Part Number	Description	Units Per Assy
1	110703	Nut - Hex 3/8-24	1	56	86402	. Valve	1
2	86068	Flywheel	1	57	101148	"O" Ring	1
3	110713	Screw - Skt hd 10-24 x 7/8	2	58	62123B	Hose Assy - Oil	1
4	83241	Washer - Special	2	59	51506	. Screen - Hose	1
5	67546	Pawl - Starter	2	60	-110865	Screw - Hex hd 10-24 x 7/8	1
6	67545	Spring - Pawl	2	61	100003	Washer - Special	1
7	67547	Pivot - Pawl	2	62	89642	Gasket - Pulse pump	1
8	103879	Key - Woodruff	1	62A	89115	Pump Assy - Pulse	1
9	67057	Washer - Thrust	1	63	60260A	. Piston Assy - Pump	1
10	67056	Seal - Breaker box cover	1	64	105603	. "O" Ring	1
11	67054	Washer - Thrust	1	65	86182	. Ring - Piston	1
12	110127	Screw - Hex hd 10-24 x 7/8 (SEMS)	1	66	60937	. Washer - Teflon (S/Ns prefixed 11-, 12-, 13-)	1
13	100002	Washer - #10	3	67	60259	. Spring - Piston	1
14	83512	Stud - Special	1	68	62227	. Sleeve - Adjustment	1
15	51253	Retainer - Coil (S/Ns prefixed 11-)	1	69	110386	. Screw - Hex hd 8-32 x 1	1
16	85138	Lamination (S/Ns prefixed 11-)	1	70	100251	. Nut - Hex 8-32	1
17	84972	Kit - Coil (S/Ns prefixed 11-)	1	70A	89114	. Clamp - Pump	1
18	87246	Coil & Lamination Assy (S/Ns prefixed 12-, 13-, 14-)	1	71	62407	. Cover - Outlet valve	1
19	50120	. Wire Assy - Spark plug	1	72	106104	. "O" Ring	1
20	55061	. . Connector	1	73	62885A	. Spring - Outlet valve	1
21	85758	. . Boot	1	74	102809	. Ball	1
22	84686	Wire Assy - Ground	1	75		. Delete	
23	69344	Wire Assy - Primary	1	76	88645	. Screw - Set (S/Ns prefixed 11-, 12-, 13-)	1
24	63432	Spark Plug - AC CS 42 T	1	77	62105	Screw Assy - Sealing	4
25	110584	Screw - Pan hd 8/32 x 3/4	1	78	62842	. Washer - Sealing	4
26	62362	Cover - Breaker box	1	79	110288	Screw Assy - Hex 8-32 x 3/4	1
27	100298	Nut - Hex 6-32	1	80	87681	Crankcase Assy (S/Ns prefixed 11-, 12-)	1
28	62365	Spacer - Breaker	1		89711	Crankcase Assy (S/Ns prefixed 13-, 14-, 15-)	1
29	110346	Screw - Hex hd 6-32 x 3/4	1	81	110288	. Screw Assy - Hex 8-32 x 1-3/8	2
30	110706	Screw - Pan hd 8-18 x 1/2	1	82	110618	. Screw Assy - Hex 8-32 x 1-3/8	1
31	83126	Strap - Conduction	1	83	62065	. Bolt - Bar mounting	2
32	110811	Screw - Pan hd 8-32 x 3/8	1	84	110851	. Pin - Dowel	1
33	110445	Screw - Truss hd 8-32 x 3/8	1	85	87866	Valve - DSP	1
34	105976	Washer - #8	1	86	85505	Washer - Valve	1
35	88808	Breaker Assy	1	87	110681	Screw - Skt hd 10-24 x 1/4	1
36	103672	Screw - Fil hd 8-32 x 1/2 (SEMS)	1	88	87152	Insert - Bearing	1
37	100080	Washer - #8	1	89	69020	Pin - Piston	1
38	85358	Condenser	1	90	85239	Piston Assy	1
39		Deleted		91	87166	. Ring Set - Piston (Wide) (S/Ns prefixed 11-, 12-)	1
40	84329	Box - Breaker	1		89732	. Ring Set - Piston (Thin) (S/Ns prefixed 13-, 14-, 15-)	1
41	67051	Seal - Breaker box	1	92	110590	. Bearing - Needle	1
42	103672	Screw - Fil hd 8-32 x 1/2	2	93	85352	Connecting Rod Assy	1
43	100955	Nut - Hex 8-32	1	94	61627A	. Screw - Skt hd special	2
44	84156	Housing - Pump	1	95	63225	. Roller - Needle (Set of 20)	1
45	62262	Cap - Housing	1	96	61618	Seal - Oil	1
46	62266	Plunger - Pump	1	97	63464	Ring - Snap	1
47	-105614	"O" Ring	1	98	63429B	Bearing - Ball	1
48	66687	Spring - Pump	1	99	110260	Seal - Oil	1
49	62230	Gasket - Pump	1	100	104357	Bearing - Needle	1
50	62909	Valve - Pump	1	101	87699	Crankshaft	1
51	110291	Screw - Pan hd 10-24 x 2-5/8	1	102	63699	Ring - Bearing insert (S/Ns prefixed 11-)	1
51A	110921	Washer	1	103	63701	Insert - Bearing (S/Ns prefixed 11-)	1
52	86304	Cover - Oil tank	1				
53	86306	Gasket - Cover	1				
54	87270	Cap - Oil tank	1				
55	87269	. Retainer	1				

## ACCESSORIES

Part Number	Description
85726	Manual - Owner's
62827	Wrench - Screwdriver
63746	Scrench
86330	Kit - Spike
86334	Kit - Frame & Grip
84922	Kit - Baffle
83970	Kit - Preheater
86419	Guide - Timing
63097	Spark Plug - AC CS 45 T
65778	Spark Plug - AC CS 41 T
65370	Kit - Sprocket 7T .354
65408	Spark Plug - CJ8 (A)

Part Number	Description
83235	Wrench (B)
64935	Bar Plate (A)
64330	Set - Bar plate (B, D, J, K)
69191	Kit - Pressure adaptor
84453	Kit - Piston tool
*69031	Piston Assy (0.020 in. oversize)
*63291	. Ring Set (0.020 in. oversize)
103085	. Bearing - Needle (2)
*69032	Piston Assy (0.030 in. oversize)
*63292	. Ring Set (0.030 in. oversize)
103085	. Bearing - Needle (2)

\*For original 7-10 engines (Serial numbers prefixed 10-), and having cast iron cylinder liners ONLY.

## SERVICE SPECIFICATIONS

Spark Plug - AC CS 42T (Standard)  
 AC CS 41T (colder)  
 Spark Plug Gap - .025 inch (.63 mm)  
 Lamination Gap - .007 to .012 inch (.18 to .30 mm)  
 Breaker Point Gap - .018 inch (.46 mm)  
 Timing - 26° BTDC  
 Clutch Engagement Speed - 2400 to 2800 R.P.M.  
 Torques  
 Connecting Rod Screws - 65 to 70 inch/pounds (75 to 81 cm/kg)  
 Clutch Nut - 160 to 170 inch/pounds (184 to 196 cm/kg)  
 Flywheel Nut - 265 to 325 inch/pounds (305 to 374 cm/kg)

# 7-10A NUMERICAL ORDER PARTS LIST

**7-10A**

Part Number	Description	Units Per Assy
24236	Washer - Special	2
47690	Screw - Rd 6-32	3
48759	Spring - Choke	1
48780	Screw Assy	2
50120	Wire Assy - Spark	1
51253	Retainer - Coil	1
51506	Screen Oil	1
51720	Shutter - Throttle	1
51721	Screw - Rd 4-40	4
52928	Plug - Body	1
52933	Screw - Cover	4
53766A	Valve - Check	1
55061	Connector - Spark	1
60259	Spring - Piston	1
60260A	Piston Assy - Oiler	1
60937	Washer - Pulse	1
61618	Seal - Oil	1
61627A	Screw - Conn rod	2
61692	Shim - Sprocket	2
61705	Nut - Blade adj.	1
62065	Bolt - Bar mtg	2
62105	Screw Assy	4
62123B	Hose Assy - Oil	1
62204C	Rotor	1
62227	Sleeve - Oiler	1
62230	Gasket - Oil	1
62262	Cap - Oil	1
62266	Plunger - Oil	1
62362	Cover - Breaker	1
62365	Spacer - Breaker	1
62407	Cover - Outlet	1
62451	Contact - Ignition	1
62827	Wrench & Screwdrivers	1
62842	Washer - Sealing	4
62885A	Spring - Outlet	1
62909	Valve - Oiler	1
62950A	Base - Stop switch	1
62973A	Wire Assy - Stop	1
62978	Screw - Oval 8-32	3
63044	Button - Oiler	1
63097	Sparkplug	1
63225	Bearing - Needle	1
63291	Set - Piston rings	1
63292	Set - Piston rings	1
63429B	Bearing - Ball	1
63432	Sparkplug	1
63464	Ring - Snap	1
63484	Clamp - Frame	1
63699	Ring - Bearing insert	1
63701	Insert - Needle	1
63746	Kit - Comb wrench	1
63932	Filter - Felt	1
64330	Bar Plate - Set	1
64583	Retainer - Clutch	2
64848	Hose Assy	1
64856	Washer - Plain	1
64871	Button & Rod Assy	1
64872	Grip - Handle	1
64935	Plate - Slim line	1
65370	Spark Plug	1
65408	Spark Plug	1

Part Number	Description	Units Per Assy
65778	Spark Plug	1
65856	Shutter - Choke	1
66404	Spring - Inlet	1
66622	Plug	1
66623	Screen - Inlet	1
66625	Screw - Idle speed adjustment	1
66626	Spring - Idle speed	2
66628	Cover - Pump	1
66629	Gasket - Fuel pump	1
66630	Diaphragm - Fuel	1
66632	Diaphragm	1
66633	Gasket - Diaphragm	1
66636	Pin - Inlet	1
66637	Needle - Inlet	1
66638	Lever - Inlet	1
66644	Screw - Inlet pin	1
66646	Clip - Throttle	1
66687	Spring - Plunger	1
66979	Drum & Sprocket	1
67051	Seal - Breaker box	1
67054	Washer - Thrust	1
67056	Seal - Breaker box	1
67057	Washer - Thrust	1
67136	Spring - Throttle	1
67233	Shoe - Clutch	2
67271	Screw - Idle adj	1
67481	Kit - Service repair	1
67482	Gasket Set	1
67486	Shaft Assy	1
67488	Shaft Assy	1
67489	Clip - Throttle	1
67490	Valve - Choke	1
67491	Valve - Inlet	1
67495	Gasket - Fuel pump	1
67496	Gasket - Metering	1
67498	Diaphragm - Check	1
67499	Diaphragm Assy	1
67500	Screw - Metering	1
67501	Screw Assy	4
67502	Spring - Adj	2
67503	Spring - Lever	1
67504	Spring - Choke	1
67505	Needle - Idle adj	1
67506	Needle - Hi speed	1
67507	Screen - Inlet	1
67508	Pin - Metering	1
67509	Lever - Metering	1
67545	Spring - Pawl	2
67546	Pawl - Starter	2
67547	Pivot - Pawl	2
67922	Plate - Lock	1
67944	Spring - Hose	1
68106	Screw - Idle speed	1
68162	Rope - Starter	1
68187	Screw - Hex 10-24	1
68508	Plate - Lock	1
68522	Seal - Throttle	1
68529	Knob Assy - Air cleaner	1
68530	Cover Assy - Air cleaner	1
68582	Plate - Lock	1
68594	Gasket - Fuel	1
68846	Button - Stop	1

## 7-10A NUMERICAL ORDER PARTS LIST

Part Number	Description	Units Per Assy
69020	Pin - Piston	1
69031	Piston Assy	1
69032	Piston Assy	1
69041	Button - Choke	1
69042	Rod - Choke	1
69043	Snubber	1
69191	Kit - Adaptor	1
69344	Wire Assy - Primary	1
69345	Gasket - Fuel tank	1
69506	Plug - Welch	1
69516	Plate - Lock	1
69564	Air Box Seal	1
69767	Gasket - Fuel	1
69772	Spacer - Fuel	1
69922	Filter - Air	1
70798	Screw Assy	4
71690	Plug - Welch	1
83106	Kit - Body & Duct	1
83114	Diaphragm - Pump	1
83126	Strap - Conductor	1
83204	Kit - Air cleaner	1
83223	Spring - Clutch	2
83241	Washer - Starter	2
83512	Stud - Special	1
83724	Cover - Diaphragm	1
83725	Shaft Assy - Choke	1
83748	Shaft Assy - Start	1
83758	Kit - Repair	1
83759	Body Assy - Carburetor	1
83760	Cover - Fuel pump	1
83761	Cover - Metering	1
83762	Valve - Throttle	1
83970	Kit - Preheater	1
84007	Gasket - Muffler	1
84015	Carburetor Assy	1
84051	Pulley - Rope	1
84078	Spacer - Carburetor	1
84080	Insulator	1
84081	Gasket - Carburetor	1
84082	Gasket - Fuel	1
84156	Housing - Oil pump	1
84183	Kit - Fuel tank	1
84252	Cover - Fuel tank	1
84253	Boot - Carburetor adj.	1
84329	Box - Breaker	1
84453	Kit - Piston tool	1
84682	Clutch Assy	1
84686	Wire Assy - Ground	1
84922	Kit - Baffle	1
84972	Kit - Coil	1
85007	Brace - Frame	1
85107	Rod - Throttle	1
85122	Drum - Starter	1
85138	Lamination Assy	1
85152	Baffle - Spark	1
85239	Piston Assy	1
85352	Rod Assy - Connecting	1
85358	Condenser	1
85451	Lock Assy - Throttle	1
85505	Washer - Valve	1
85726	Manual - Owners	1
85731	Shroud - Cylinder	1

Part Number	Description	Units Per Assy
85758	Boot - Sparkplug	1
85981	Spring - Throttle return	1
86053	Shield - Starter	1
86068	Flywheel	1
86113	Nut - 3, 8-24	1
86182	Ring - Piston	1
86189	Gasket - Carburetor	1
86273	Screw - Idle adj.	1
86304	Cover - Oil tank	1
86306	Gasket - Cover	1
86330	Kit - Spike	1
86334	Kit - Frame & Grip	1
86402	Valve - Check	1
86419	Guide - Timing	1
86453	Plug - Fuel cap	1
86948	Drum & Hub Assy	1
86951	Kit - Sprocket	1
86958	Washer - Shim	1
87152	Insert - Bearing	1
87166	Set - Piston rings	1
87176	Plate - Name	1
87178	Spring - Trigger	1
87246	Coil & Lamination Assy	1
87269	Retainer - Valve	1
87270	Cap Assy - Oil	1
87286	Stop - Reed valve	1
87663	Body & Duct Assy	1
87665	Boot - Carburetor adj.	1
87666	Carburetor Assy	1
87672	Cover - Starter	1
87674	Guard - Sawdust	1
87675	Clutch Assy	1
87680	Spring - Starter	1
87681	Crankcase Assy	1
87682	Valve - Reed	1
87683	Cover & Valve Assy	1
87686	Frame & Grip Assy	1
87693	Kit - Fan housing	1
87699	Kit - Crankshaft	1
87809	Carburetor	1
87815	Cover - Fuel tank	1
87840	Spacer - Fuel tank	1
87866	Valve - Compression rel.	1
87915	Needle - Hi speed	1
87916	Needle - Idle	1
87922	Shaft & Lever Assy	1
87932	Screw - Idle adj.	1
88586	Guard Assy - Clutch	1
88645	Screw - Oiler	1
88617	Gasket - cover	1
88619	Kit - Gasket	1
88620	Kit - Repair	1
88731	Kit - Pump cover	1
88650	Cover - Fuel tank	1
88768	Screw - Idle mixture	1
88769	Nozzle - Check valve	1
88771	Nozzle - Check valve	1
88772	Nozzle - Check valve	1
88774	Gasket - Set	1
88775	Kit - Repair carburetor	1
88776	Diaphragm & Gasket Set	1
88779	Cover Assy - Muffler	1

# 7-10A NUMERICAL ORDER PARTS LIST

**7-10A**

Part Number	Description	Units Per Assy
88781	Nozzle - Check valve	1
88796	Trigger - Throttle	1
88808	Breaker Assy	1
89114	Clamp - Pulse	1
89115	Pump Assy - Pulse	1
89216	Kit - Carburetor repair	1
89320	Insert - Handle	1
89322	Cap Assy - Fuel	1
89425	Cover fuel tank	1
89438	Rotor Assy	1
89642	Gasket - Pulse	1
89711	Crankcase	1
89727	Retainer - Frame	1
89732	Set - Piston ring	1
90345	Nozzle - Check valve	1
90349	Nozzle - Check Valve	1
90350	Nozzle - Check Valve	1
90351	Nozzle - Check valve	1
91121	Carburetor	1
91255	Kit - Starter handle	1
91275	Carburetor	1
100002	Washer - #10	4
100003	Washer - #10	2
100071	Ball	1
100080	Washer - Plain	1
100153	Washer - Lock	1
100251	Nut - Hex 8-32	1
100298	Nut - Hex 6-32	1
100302	Ball	1
100352	Washer - #10	2
100440	Washer - Plain	3
100955	Nut - Hex lock	1
101148	O Ring	1
101326	Nut - Hex lock	2
101563	Screw - Socket 10-24	1
102067	Nut - Hex lock	1
102115	Washer - Plain	2
102130	Screw - Hex 1/4-20	1
102144	Screw - Fil 10-24	1
102809	Ball	1
103085	Bearing Needle	2
103357	Bolt Hex 10-24	2
103579	Screw - Flat 10-24	2
103672	Screw - Fil 8-32	4
103879	Key - Woodruff	2
104357	Bearing - Needle	1

Part Number	Description	Units Per Assy
104534	Screw - Socket 10-24	1
104816	Screw - Hex 10-24	1
105603	O Ring	1
105614	O Ring	2
105673	Pin - Roll	2
105976	Washer - #8 Plain	1
106078	Screw - Pan 10-24	1
106104	O Ring	1
110127	Screw - Hex 10-24	1
110260	Seal - Oil	1
110264	Washer - Plain	2
110288	Screw - Hex	3
110291	Screw - Pan 10-24	1
110330	Bearing - Sprocket	1
110341	Screw - Hex 10-24	1
110346	Screw - Hex 6-32	1
110378	Pin - Roll	1
110386	Screw - Hex 8-32	1
110387	Washer - Wavey	1
110402	Screw - Oval 12-24	1
110445	Screw - Truss	1
110454	Nut - Hex 5/16-24	2
110470	Rivet - Rd	1
110472	Screw - Socket 8-32	2
110529	Screw - Hex 10-24	1
110565	Ring - Ret	1
110566	Screw - Hex 12-24	3
110567	Screw - Hex 12-24	2
110568	Screw - Hex 12-24	1
110584	Screw - Pan 8-32	1
110590	Bearing	1
110594	Nut - Lock 3/8	1
110618	Screw - Hex 8-32	1
110646	Screw - Oval 8-32	3
110657	Pin - Roll	1
110668	Screw - Fil 8-36	1
110681	Screw - Socket 10-24	1
110682	Screw - Hex 10-24	1
110703	Nut - Hex 3/8	1
110706	Screw - Pan 8-18	1
110741	Screw - Pan 10-24	2
110811	Screw - Pan 8-32	1
110851	Pin - Dowel	1
110865	Screw - Hex 10-24	3
110921	Washer - Sealing	1