

7-10A CHAIN SAW

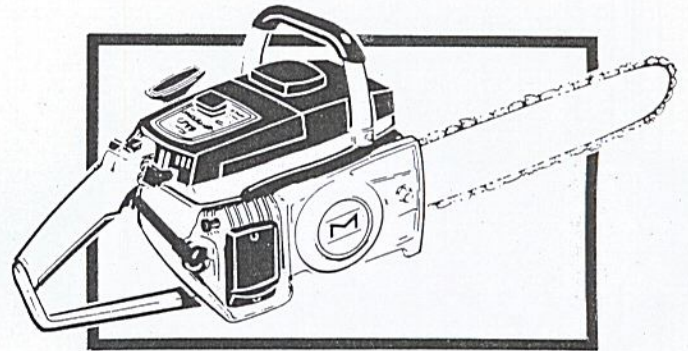
ILLUSTRATED PARTS LIST

| Models | Serial Number Prefix |
|---------|----------------------|
| 600052 | 11- |
| 600052D | 12-, 13- |
| 600052B | 12-, 13- |
| 600052C | 12- |
| 600052J | 12- |
| 600052A | 12-, 13- |

MAC 7-10A chain saws are identified by a model number (600052) followed by a suffix letter (A, B, C, etc.) stamped on the identification plate attached to the saw. Suffix letters denote variations in parts or assemblies in manufacture of the saw.

Part numbers listed in this I. P. L. and followed by a suffix letter, indicate the part is used on the model identified by that letter.

Part numbers listed without suffix letter or letters apply to all models of the MAC 7-10A saw unless specifically noted otherwise.



OCTOBER 1973

Page

| | |
|--|----|
| Figure 1. General | 2 |
| Figure 2. Fan Housing & Starter Assemblies | 4 |
| Figure 3. Fuel Tank Assembly | 4 |
| Figure 4. Carburetor Assembly | 6 |
| Figure 5. Carburetor Assembly | 6 |
| Figure 6. Powerhead Assembly | 8 |
| Figure 7. Bar & Chain Assembly | 10 |

The policy of McCulloch Corporation is one of continual improvement in design, manufacturing and engineering advancement wherever possible to assure still finer two-cycle power tools. Hence, specifications, equipment, colors, design and manufacturer's suggested list prices are subject to change without notice and McCulloch Corporation reserves the right to make such changes without prior notification or obligation to backfit or supply backfit components for units previously shipped from the factory.

I. P. L. 89733 supersedes and cancels
I. P. L. 87679

 **McCULLOCH**

COPYRIGHT U.S.A. 1972
McCULLOCH CORPORATION
Printed in U.S.A.

89733

MAC 7-10A

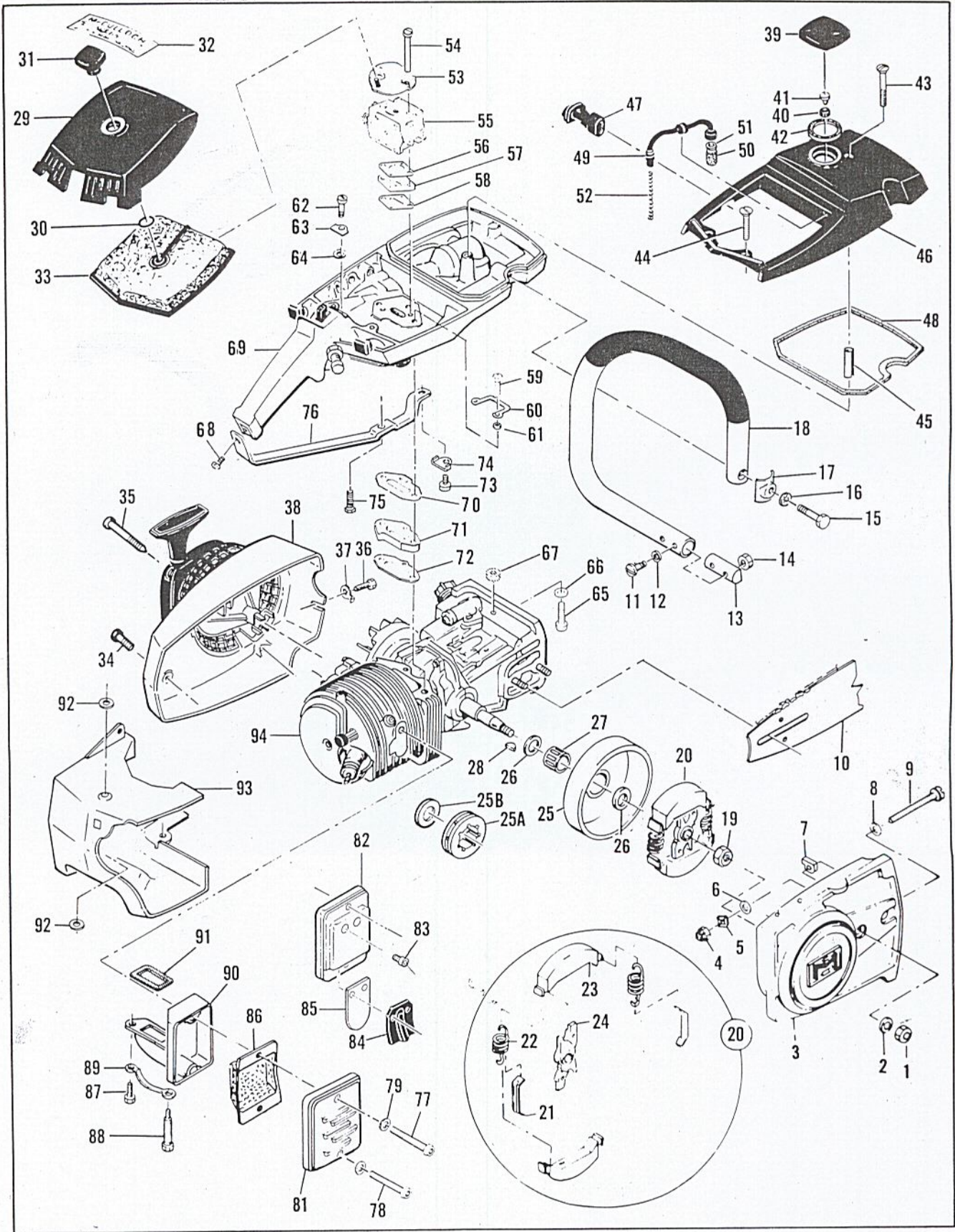


Figure 1. General

FIGURE 1. GENERAL

| Item No. | Part Number | Description | Units Per Assy |
|----------|-------------|--|----------------|
| 1 | 110454 | Nut - Hex 5/16-24 | 2 |
| 2 | 100440 | Washer - 5/16 | 2 |
| 3 | -88586 | Clutch Guard Assy | 1 |
| 4 | 102067 | . Nut - Hex 10-24 | 1 |
| 5 | 110387 | . Washer - Wavey | 1 |
| 6 | 100002 | . Washer - #10 | 1 |
| 7 | 61705 | . Nut - Bar adjustment | 1 |
| 8 | 110264 | . Washer - #10 | 1 |
| 9 | 102144 | . Screw - Bar adjustment | 1 |
| 10 | | Bar & Chain Assy | 1 |
| 11 | 102761 | Screw - Hex hd 10-24 x 7/8 | 2 |
| 12 | 100352 | Washer - #10 | 2 |
| 13 | 61678 | Plug - Nut retainer | 1 |
| 14 | 101326 | Nut - Hex 10-24 | 2 |
| 15 | 102130 | Screw - Hex hd 1/4-20 x 1-1/2 | 1 |
| 16 | 100153 | Lockwasher - 1/4 | 1 |
| 17 | 63484 | Clamp - Frame | 1 |
| 18 | 87686 | Frame & Grip Assy | 1 |
| 19 | 110594 | Nut - Hex 3/8-24 (R. H., S/Ns prefixed 11-) | 1 |
| | 86113 | Nut - Hex 3/8-24 (L. H., S/Ns prefixed 12-, 13-) | 1 |
| 20 | 84682 | Clutch Assy (S/Ns prefixed 11-) | 1 |
| | 87675 | Clutch Assy (S/Ns prefixed 12-, 13-) | 1 |
| 21 | 64583 | . Retainer - Spring | 2 |
| 22 | 83223 | . Spring - Clutch | 2 |
| 23 | 67233 | . Shoe - Clutch | 2 |
| 24 | 62204C | . Rotor Assy (S/Ns prefixed 11-) | 1 |
| | 87676 | . Rotor Assy (S/Ns prefixed 12-, 13-) | 1 |
| 25 | 86948 | Drum (B, C, D, J) | 1 |
| 25A | 86951 | Sprocket - .375 (B, C, D, J) | 1 |
| 25B | 86958 | Washer - Sprocket (B, C, D, J) | 1 |
| (25) | 66979 | Kit - Sprocket & Drum - .404 (A) | 1 |
| 26 | 61692 | . Shim (A) | 2 |
| 27 | 110330 | Bearing | 1 |
| 28 | 103879 | Key - Woodruff (S/Ns prefixed 11-) | 1 |
| 29 | 68530 | Cover Assy - Air cleaner | 1 |
| 30 | 110565 | . Ring - Retainer | 1 |
| 31 | 68529 | . Knob - Cover | 1 |
| 32 | 87176 | Nameplate | 1 |
| 33 | 69922 | Filter - Air | 1 |
| 34 | 110741 | Screw - Pan hd 10-24 x 1/2 | 1 |
| 35 | 62978 | Screw - Special | 3 |
| 36 | 102762 | Screw - Hex hd 10-24 x 1/2 | 1 |
| 37 | 69890 | Lockplate | 1 |
| 38 | | Fan Housing & Starter (See Figure 2) | |
| 39 | -89322 | Cap Assy - Fuel | 1 |
| 40 | 69767 | . Gasket | 1 |
| 41 | 86453 | Plug (S/Ns prefixed 11-, 12-) | 1 |
| 42 | 53766A | Valve (S/Ns prefixed 11-, 12-) | 1 |
| 43 | 110402 | Screw - Oval hd 12-24 x 2-3/8 | 1 |
| 44 | 103579 | Screw - Fl hd 10-24 x 1 | 2 |
| 45 | -87840 | Spacer | 1 |
| 46 | 84252 | Cover - Fuel tank (S/Ns prefixed 11-) | 1 |
| | -88650 | Cover - Fuel tank (S/Ns prefixed 12-, 13-) | 1 |

| Item No. | Part Number | Description | Units Per Assy |
|----------|-------------|--|----------------|
| 47 | 84253 | Boot - Carburetor (S/Ns prefixed 11-) | 1 |
| | 87665 | Boot - Carburetor (S/Ns prefixed 12-, 13-) | 1 |
| 48 | 69345 | Gasket - Cover | 1 |
| 49 | 64848 | Hose Assy - Fuel | 1 |
| 50 | 63932 | . Filter - Fuel | 1 |
| 51 | 100440 | . Washer | 1 |
| 52 | 67944 | Spring - Hose | 1 |
| 53 | 83204 | Bracket Assy | 1 |
| 54 | 103357 | . Screw - Hex hd 10-24 x 2-1/4 | 2 |
| 55 | | Carburetor Assy (See Figures 4 and 5) | |
| 56 | 86189 | Gasket - Carburetor | 1 |
| 57 | 84078 | Spacer - Carburetor | 1 |
| 58 | 84081 | Gasket - Spacer | 1 |
| 59 | 110567 | Screw - Hex hd 12-24 x 1-1/4 | 2 |
| 60 | 68582 | Lockplate | 1 |
| 61 | 102115 | Washer - #12 | 2 |
| 62 | 110568 | Screw - Hex hd 12-24 x 1-1/8 | 1 |
| 63 | 69516 | Lockplate | 1 |
| 64 | 64856 | Washer - Special | 1 |
| 65 | 110713 | Screw - Skt hd 10-24 x 7/8 | 1 |
| 66 | 100003 | Washer - #10 | 1 |
| 67 | 69772 | Spacer | 1 |
| 68 | 106078 | Screw - Pan hd 10-24 x 7/16 (S/Ns prefixed 11-, 12-) | 1 |
| | 104816 | Screw - Pan hd 10-24 x 1-1/4 (S/Ns prefixed 13-) | 1 |
| 69 | | Fuel Tank Assy (See Figure 3) | |
| 70 | 84082 | Gasket - Fuel tank | 1 |
| 71 | 84080 | Insulator - Fuel tank | 1 |
| 72 | 68594 | Gasket - Insulator | 1 |
| 73 | 110566 | Screw - Hex hd 12-24 x 5/8 | 1 |
| 74 | 68508 | Lockplate | 1 |
| 75 | 110682 | Screw - Hex hd 10-24 x 5/8 | 1 |
| 76 | 85007 | Brace - Handle | 1 |
| 77 | 104534 | Screw - Skt hd 10-24 x 1-7/16 | 1 |
| 78 | 24236 | Washer - Special | 2 |
| 79 | 101563 | Screw - Skt hd 10-24 x 1-1/4 | 1 |
| 80 | 110264 | Washer - #10 (S/Ns prefixed 11-, 12-) | 1 |
| 81 | -88779 | Cover - Muffler (D, B, C, A) | 1 |
| 82 | 85775 | Cover & Valve Assy - Muffler (J) | 1 |
| 83 | 110472 | . Screw - Skt hd 8-32 x 5/16 (J) | 2 |
| 84 | 87286 | . Stop - Reed (J) | 1 |
| 85 | 87682 | . Valve - Reed (J) | 1 |
| 86 | 85152 | Baffle - Muffler (B, C, J, A) | 1 |
| 87 | 110529 | Screw - Hex hd 10-24 x 1/2 | 1 |
| 88 | 68187 | Screw - Special | 1 |
| 89 | 67922 | Lockplate | 1 |
| 90 | 83106 | Body & Duct Assy (S/Ns prefixed 11-) | 1 |
| | 87663 | Body & Duct Assy (S/Ns prefixed 12-, 13-) | 1 |
| 91 | 84007 | Gasket - Spark arrestor | 1 |
| 92 | 68581 | Insulator - Shroud | 2 |
| 93 | 85731 | Shroud | 1 |
| 94 | | Powerhead Assy (See Figure 6) | |

MAC 7-10A

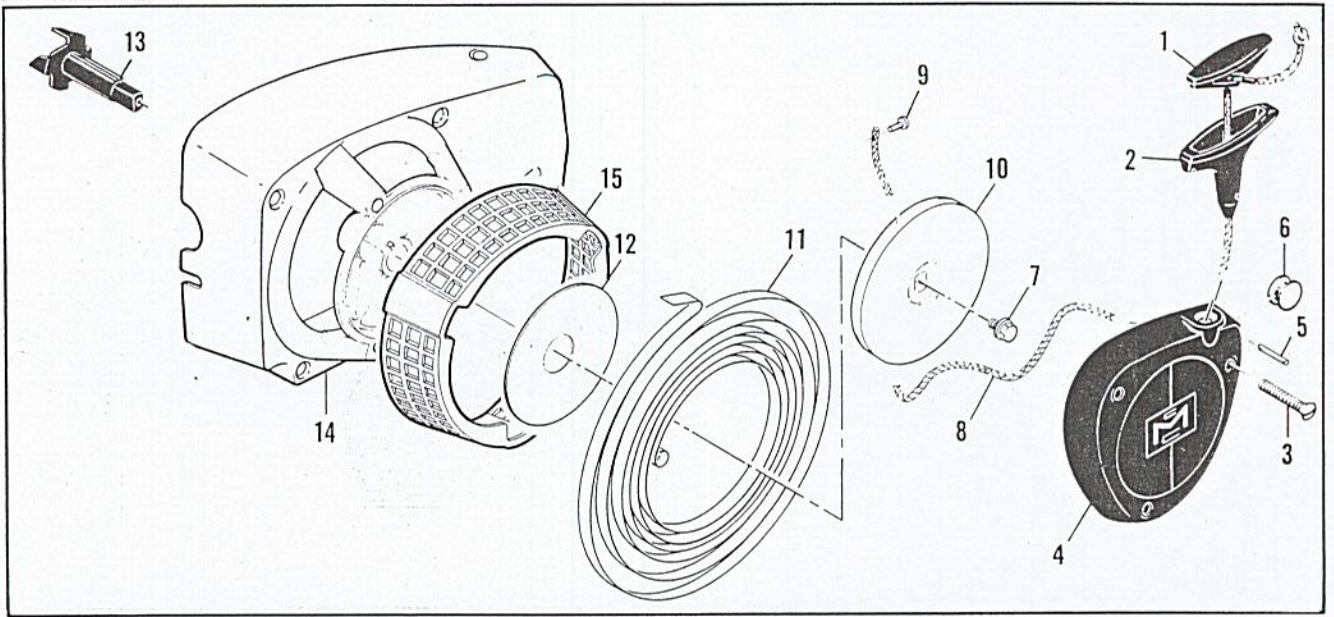


Figure 2. Fan Housing & Starter Assemblies

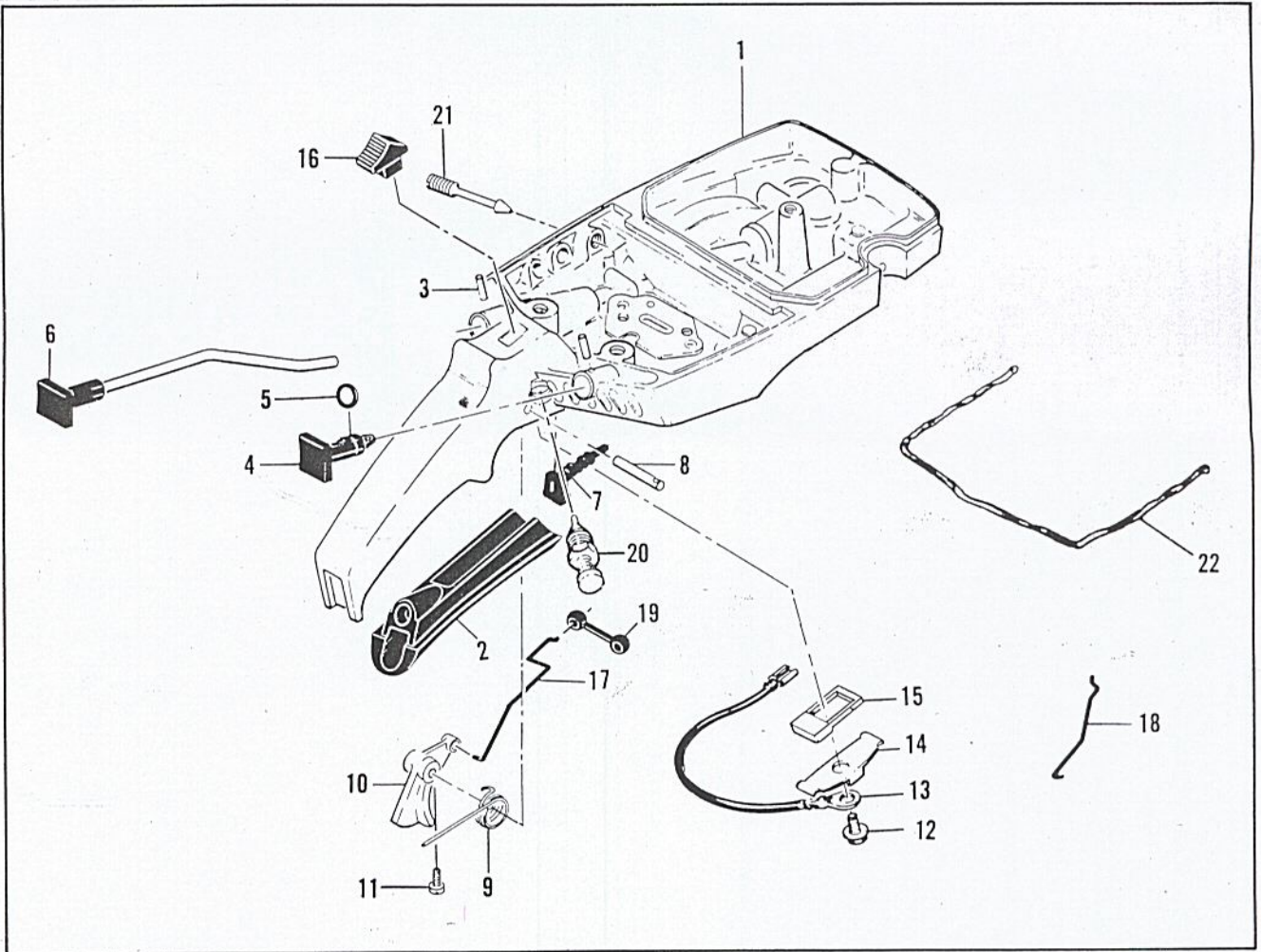


Figure 3. Fuel Tank Assembly

FIGURE 2. FAN HOUSING & STARTER ASSEMBLIES

| Item No. | Part Number | Description | Units Per Assy |
|----------|-------------|-----------------------------------|----------------|
| 1 | 62191A | Insert - Handle | 1 |
| 2 | 62190A | Handle - Starter | 1 |
| 3 | 110646 | Screw - Oval hd 8-32 x 1-1/8 | 3 |
| 4 | 87672 | Cover - Starter | 1 |
| 5 | 110657 | Pin - Roll (S/Ns prefixed 11-) | 1 |
| 6 | 84051 | Pulley - Rope (S/Ns prefixed 11-) | 1 |

| Item No. | Part Number | Description | Units Per Assy |
|----------|-------------|----------------------------|----------------|
| 7 | 110341 | Screw - Hex hd 10-24 x 1/2 | 1 |
| 8 | -68162 | Rope - Starter | 1 |
| 9 | 110470 | Rivet - Rope | 1 |
| 10 | 85122 | Drum - Starter | 1 |
| 11 | 87680 | Spring - Rewind | 1 |
| 12 | 86053 | Shield - Spring | 1 |
| 13 | 83748 | Shaft - Starter | 1 |
| 14 | 87693 | Housing - Fan | 1 |
| 15 | 87674 | Guard - Sawdust | 1 |

Part numbers which have changed since the previous printing of the illustrated parts list covering these saws, are indicated by a dash (-) preceding the new part number.

FIGURE 3. FUEL TANK ASSEMBLY

| Item No. | Part Number | Description | Units Per Assy |
|----------|-------------|--|----------------|
| 1 | 84183 | Fuel Tank | 1 |
| 2 | 64872 | Grip - Handle (S/Ns prefixed 11-, 12-) | 1 |
| | -89400 | Grip - Handle (S/Ns prefixed 13-) | 1 |
| 3 | 105673 | Pin - Roll 3/32 x 9/16 | 2 |
| 4 | 69041 | Button - Choke | 1 |
| 5 | 101056 | "O" Ring | 1 |
| 6 | 64871 | Button & Rod Assy | 1 |
| 7 | 68522 | Seal - Throttle rod | 1 |
| 8 | 110378 | Pin - Roll 3/16 x 15/16 | 1 |
| 9 | 87178 | Spring - Throttle return | 1 |
| 10 | -88796 | Trigger | 1 |
| 11 | 110668 | Screw - Fil hd 8-36 x 5/8 | 1 |
| 12 | 103672 | Screw - Fil hd 8-32 x 1/2 (SEMS) | 1 |

| Item No. | Part Number | Description | Units Per Assy |
|----------|-------------|---|----------------|
| 13 | 62973A | Wire Assy - Stop-switch | 1 |
| 14 | 62451 | Contact - Switch | 1 |
| 15 | 62950A | Base - Switch | 1 |
| 16 | 68846 | Button - Switch | 1 |
| 17 | 85107 | Rod - Throttle | 1 |
| 18 | 69042 | Rod - Choke | 1 |
| 19 | 69043 | Snubber - Rod | 1 |
| 20 | 85451 | Catch Assy - Throttle | 1 |
| 21 | 67271 | Screw - Idle adjustment (S/Ns prefixed 11-) | 1 |
| | 86273 | Screw - Idle adjustment (S/Ns prefixed 12-) | 1 |
| | -87932 | Screw - Idle adjustment (S/Ns prefixed 13-) | 1 |
| 22 | *69564 | Seal - Airbox | AR |

*Furnished on a 12-1/2 inch strip containing 9 beads (enough for 9 replacements)

MAC 7-10A

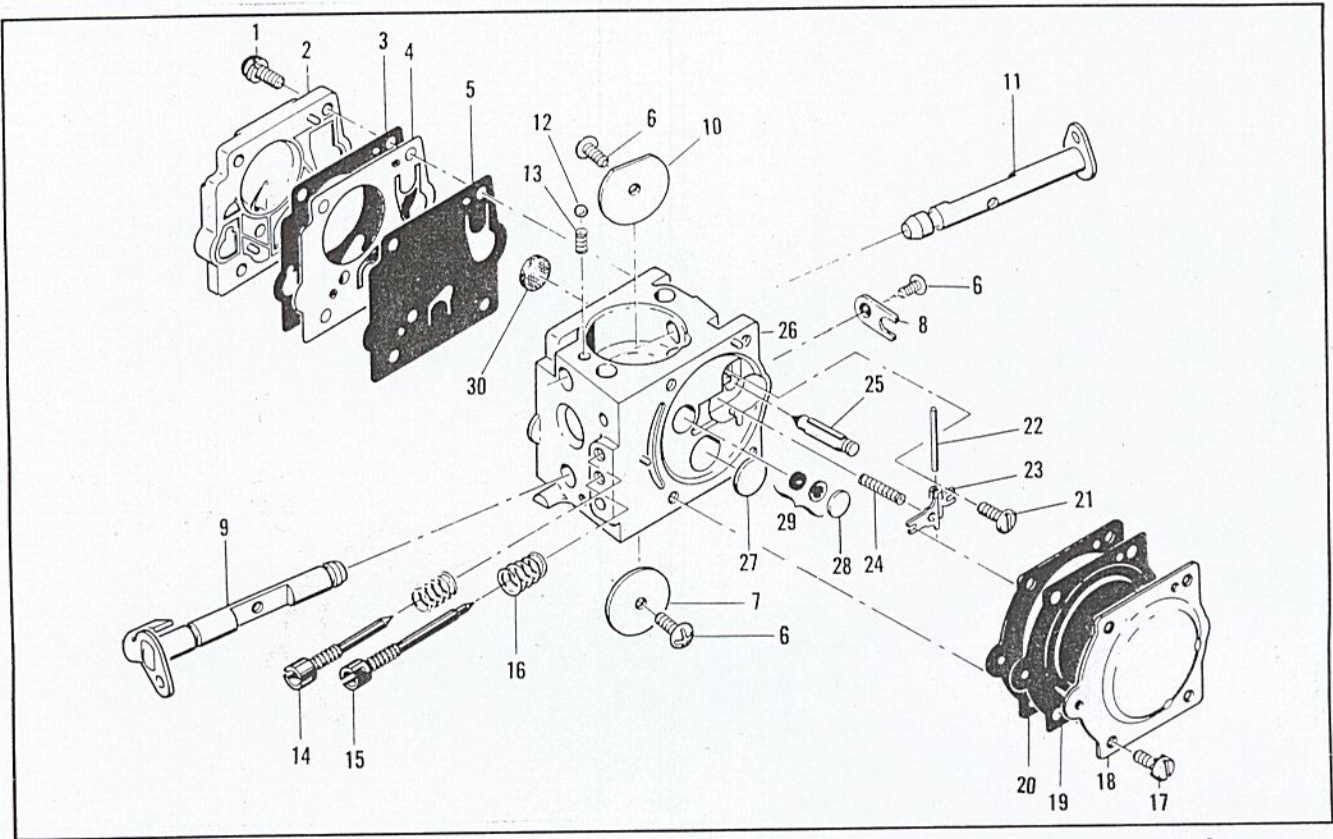


Figure 4. Carburetor Assembly

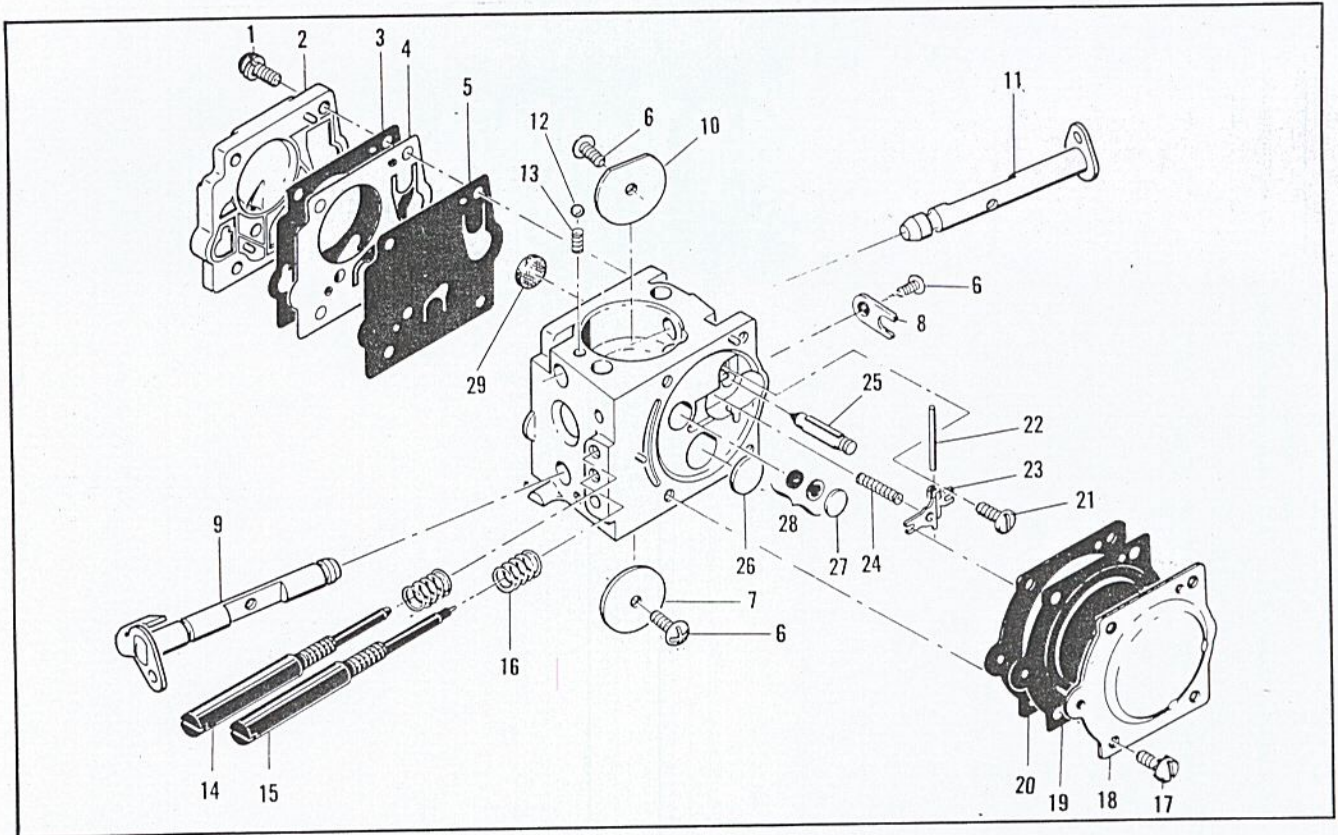


Figure 5. Carburetor Assembly

FIGURE 4. CARBURETOR ASSEMBLY

| Item No. | Part Number | Description | Units Per Assy |
|----------|-------------|---------------------------|----------------|
| | **84015 | Carburetor Assy | 1 |
| 1 | 67501 | . Screw - Pump cover | 4 |
| 2 | 83760 | . Cover - Pump | 1 |
| 3 | *67495 | . Gasket - Cover | 1 |
| 4 | *67498 | . Diaphragm - Check valve | 1 |
| 5 | *83114 | . Diaphragm - Fuel pump | 1 |
| 6 | *47690 | . Screw - Plate | 3 |
| 7 | 83762 | . Plate - Throttle | 1 |
| 8 | 67489 | . Clip - Shaft | 1 |
| 9 | 67486 | . Shaft Assy - Throttle | 1 |
| 10 | 67490 | . Plate - Choke | 1 |
| 11 | 67488 | . Shaft Assy - Choke | 1 |
| 12 | *100302 | . Ball - Choke friction | 1 |
| 13 | *67504 | . Spring - Choke | 1 |
| 14 | *67506 | . Needle - High speed | 1 |
| 15 | *67505 | . Needle - Idle | 1 |
| 16 | *67502 | . Spring - Needle | 2 |

| Item No. | Part Number | Description | Units Per Assy |
|----------|-------------|---------------------------|----------------|
| 17 | 70798 | . Screw - Diaphragm cover | 4 |
| 18 | 83761 | . Cover - Diaphragm | 1 |
| 19 | *67499 | . Diaphragm - Metering | 1 |
| 20 | *67496 | . Gasket - Diaphragm | 1 |
| 21 | *67500 | . Screw - Lever pin | 1 |
| 22 | *67508 | . Pin - Lever | 1 |
| 23 | *67509 | . Lever - Metering | 1 |
| 24 | *67503 | . Spring - Lever | 1 |
| 25 | *67491 | . Valve - Needle | 1 |
| 26 | 83759 | . Body Assy - Carburetor | 1 |
| 27 | *71690 | . Plug - 3/8 | 1 |
| 28 | *69506 | . Plug - 5/16 | 1 |
| 29 | 83758 | . Kit - Valve & Seat Assy | 1 |
| 30 | *67507 | . Screen - Fuel | 1 |
| | *67482 | Gasket Set | |
| | 67481 | Repair Kit | |

*Indicates parts included in Repair Kit, P/N 67481

** (S/N's prefixed 11-)

FIGURE 5. CARBURETOR ASSEMBLY

| Item No. | Part Number | Description | Units Per Assy |
|----------|-------------|---------------------------|----------------|
| | **87666 | Carburetor Assy | 1 |
| 1 | 67501 | . Screw - Pump cover | 4 |
| 2 | 83760 | . Cover - Pump | 1 |
| 3 | 67495 | . Gasket - Cover | 1 |
| 4 | 67498 | . Diaphragm - Check valve | 1 |
| 5 | 83114 | . Diaphragm - Fuel pump | 1 |
| 6 | 47690 | . Screw - Plate | 3 |
| 7 | 83762 | . Plate - Throttle | 1 |
| 8 | 67489 | . Clip - Shaft | 1 |
| 9 | 67486 | . Shaft Assy - Throttle | 1 |
| 10 | 67490 | . Plate - Choke | 1 |
| 11 | 67488 | . Shaft Assy - Choke | 1 |
| 12 | 100302 | . Ball - Choke friction | 1 |
| 13 | 67504 | . Spring - Choke | 1 |
| 14 | 87915 | . Needle - High speed | 1 |

| Item No. | Part Number | Description | Units Per Assy |
|----------|-------------|---------------------------|----------------|
| 15 | 87916 | . Needle - Idle | 1 |
| 16 | 67502 | . Spring - Needle | 2 |
| 17 | 70798 | . Screw - Diaphragm cover | 4 |
| 18 | 83761 | . Cover - Diaphragm | 1 |
| 19 | 67499 | . Diaphragm - Metering | 1 |
| 20 | 67496 | . Gasket - Diaphragm | 1 |
| 21 | 67500 | . Screw - Lever pin | 1 |
| 22 | 67508 | . Pin - Lever | 1 |
| 23 | 67509 | . Lever - Metering | 1 |
| 24 | 67503 | . Spring - Lever | 1 |
| 25 | 67491 | . Valve - Needle | 1 |
| 26 | 71690 | . Plug - 3/8 | 1 |
| 27 | 69506 | . Plug - 5/16 | 1 |
| 28 | 83758 | . Kit - Valve & Seat Assy | 1 |
| 29 | 67507 | . Screen - Fuel | 1 |

** (S/N's prefixed 12-, 13-)

MAC 7-10A

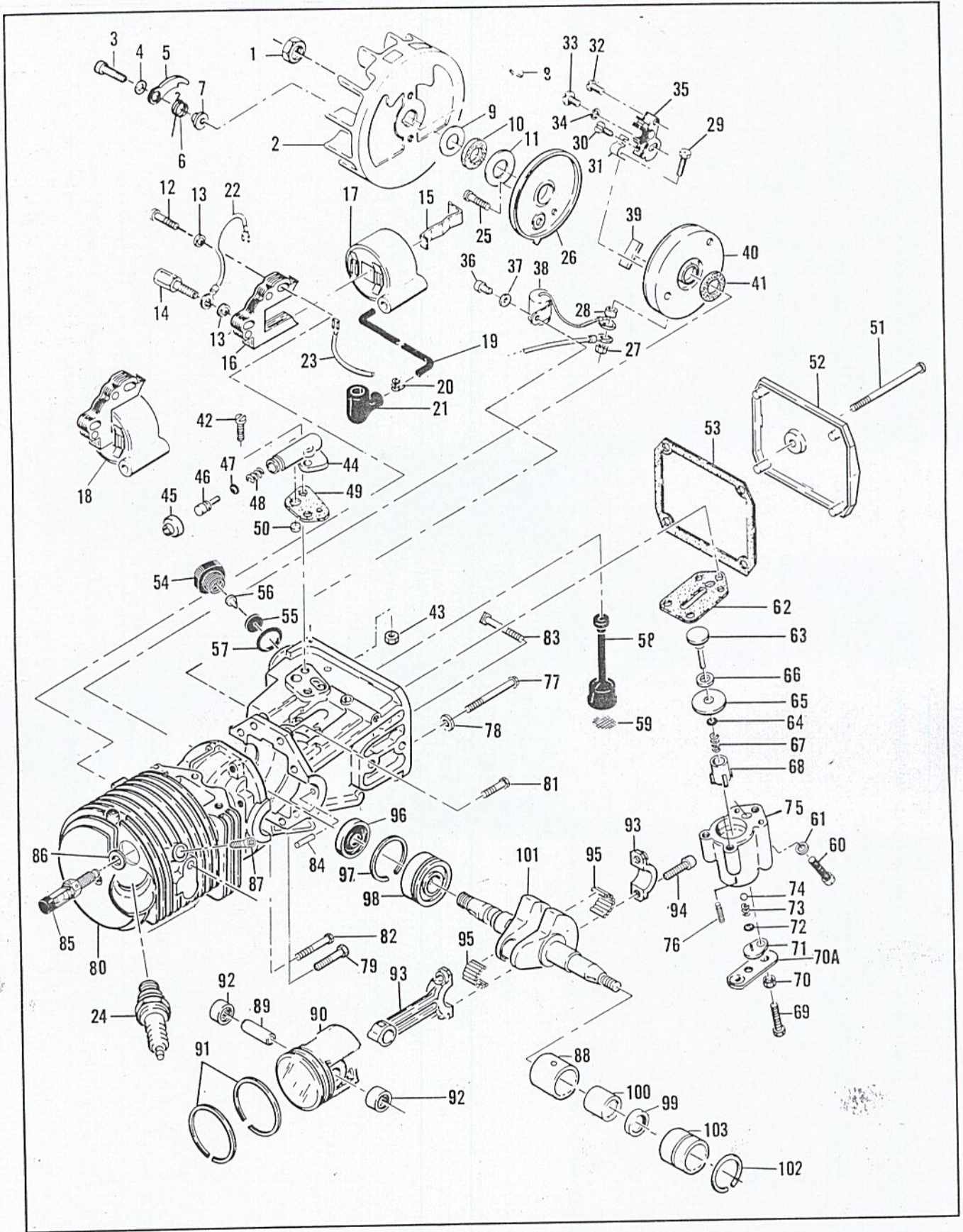


Figure 6. Powerhead Assembly

FIGURE 6. POWERHEAD ASSEMBLY

| Item No. | Part Number | Description | Units Per Assy |
|----------|-------------|---|----------------|
| 1 | 110703 | Nut - Hex 3/8-24 | 1 |
| 2 | 86068 | Flywheel | 1 |
| 3 | 110713 | Screw - Skt hd 10-24 x 7/8 | 2 |
| 4 | 83241 | Washer - Special | 2 |
| 5 | 67546 | Pawl - Starter | 2 |
| 6 | 67545 | Spring - Pawl | 2 |
| 7 | 67547 | Pivot - Pawl | 2 |
| 8 | 103879 | Key - Woodruff | 1 |
| 9 | 67057 | Washer - Thrust | 1 |
| 10 | 67056 | Seal - Breaker box cover | 1 |
| 11 | 67054 | Washer - Thrust | 1 |
| 12 | 110127 | Screw - Hex hd 10-24 x 7/8 (SEMS) | 1 |
| 13 | 100002 | Washer - #10 | 2 |
| 14 | 83512 | Stud - Special | 1 |
| 15 | 51253 | Retainer - Coil (S/Ns prefixed 11-) | 1 |
| 16 | 85138 | Lamination (S/Ns prefixed 11-) | 1 |
| 17 | 84972 | Kit - Coil (S/Ns prefixed 11-) | 1 |
| 18 | 87246 | Coil & Lamination Assy (S/Ns prefixed 12-, 13-) | 1 |
| 19 | 50120 | Wire Assy - Spark plug | 1 |
| 20 | 55061 | Connector | 1 |
| 21 | 85758 | Boot | 1 |
| 22 | 84686 | Wire Assy - Ground | 1 |
| 23 | 69344 | Wire Assy - Primary | 1 |
| 24 | 63432 | Spark Plug - AC CS 42 T | 1 |
| 25 | 110584 | Screw - Pan hd 8/32 x 3/4 | 1 |
| 26 | 62362 | Cover - Breaker box | 1 |
| 27 | 100298 | Nut - Hex 6-32 | 1 |
| 28 | 62365 | Spacer - Breaker | 1 |
| 29 | 110346 | Screw - Hex hd 6-32 x 3/4 | 1 |
| 30 | 110706 | Screw - Pan hd 8-18 x 1/2 | 1 |
| 31 | 83126 | Strap - Conduction | 1 |
| 32 | 110811 | Screw - Pan hd 8-32 x 3/8 | 1 |
| 33 | 110445 | Screw - Truss hd 8-32 x 3/8 | 1 |
| 34 | 105976 | Washer - #8 | 1 |
| 35 | 88808 | Breaker Assy | 1 |
| 36 | 103672 | Screw - Fil hd 8-32 x 1/2 (SEMS) | 1 |
| 37 | 100080 | Washer - #8 | 1 |
| 38 | 85358 | Condenser | 1 |
| 39 | 54184 | Wiper - Cam | 1 |
| 40 | 84329 | Box - Breaker | 1 |
| 41 | 67051 | Seal - Breaker box | 1 |
| 42 | 103672 | Screw - Fil hd 8-32 x 1/2 | 2 |
| 43 | 100955 | Nut - Hex 8-32 | 1 |
| 44 | 84156 | Housing - Pump | 1 |
| 45 | 62262 | Cap - Housing | 1 |
| 46 | 62266 | Plunger - Pump | 1 |
| 47 | 101056 | "O" Ring | 1 |
| 48 | 66687 | Spring - Pump | 1 |
| 49 | 62230 | Gasket - Pump | 1 |
| 50 | 62909 | Valve - Pump | 1 |
| 51 | 110291 | Screw - Pan hd 10-24 x 2-5/8 | 1 |
| 52 | 86304 | Cover - Oil tank | 1 |
| 53 | 86306 | Gasket - Cover | 1 |
| 54 | 87270 | Cap - Oil tank | 1 |

| Item No. | Part Number | Description | Units Per Assy |
|----------|-------------|---|----------------|
| 55 | 87269 | Retainer | 1 |
| 56 | 86402 | Valve | 1 |
| 57 | 101148 | "O" Ring | 1 |
| 58 | 62123B | Hose Assy - Oil | 1 |
| 59 | 51506 | Screen - Hose | 1 |
| 60 | 110713 | Screw - Skt hd 10-24 x 7/8 | 1 |
| 61 | 24236 | Washer - Special | 1 |
| 62 | 89642 | Gasket - Pulse pump | 1 |
| | 83786 | Pump Assy - Pulse | 1 |
| 63 | 60260A | Piston Assy - Pump | 1 |
| 64 | 104001 | "O" Ring | 1 |
| 65 | 86182 | Ring - Piston | 1 |
| 66 | 60937 | Washer - Teflon | 1 |
| 67 | 60259 | Spring - Piston | 1 |
| 68 | 62227 | Sleeve - Adjustment | 1 |
| 69 | 110386 | Screw - Hex hd 8-32 x 1 | 1 |
| 70 | 100251 | Nut - Hex 8-32 | 1 |
| 70A | 89114 | Clamp - Pump | 1 |
| 71 | 62407 | Cover - Outlet valve | 1 |
| 72 | 106104 | "O" Ring | 1 |
| 73 | 62885A | Spring - Outlet valve | 1 |
| 74 | 102809 | Ball | 1 |
| 75 | 83787 | Body Assy - Pump | 1 |
| 76 | 88645 | Screw - Set | 1 |
| 77 | 62105 | Screw Assy - Sealing | 4 |
| 78 | 62842 | Washer - Sealing | 4 |
| 79 | 110288 | Screw Assy - Hex 8-32 x 3/4 | 1 |
| 80 | 89711 | Crankcase Assy | 1 |
| 81 | 110288 | Screw Assy - Hex 8-32 x 1-3/8 | 2 |
| 82 | 110618 | Screw Assy - Hex 8-32 x 1-3/8 | 1 |
| 83 | 62065 | Bolt - Bar mounting | 2 |
| 84 | 110851 | Pin - Dowel | 1 |
| 85 | 87866 | Valve - DSP | 1 |
| 86 | 85505 | Washer - Valve | 1 |
| 87 | 110681 | Screw - Skt hd 10-24 x 1/4 | 1 |
| 88 | 87152 | Insert - Bearing | 1 |
| 89 | 69020 | Pin - Piston | 1 |
| 90 | 85239 | Piston Assy | 1 |
| 91 | 89732 | Ring Set - Piston | 1 |
| 92 | 110590 | Bearing - Needle | 2 |
| 93 | 85352 | Connecting Rod Assy | 1 |
| 94 | 61627A | Screw - Skt hd special | 2 |
| 95 | 63225 | Roller - Needle (Set of 20) | 1 |
| 96 | 61618 | Seal - Oil | 1 |
| 97 | 63464 | Ring - Snap | 1 |
| 98 | 63429B | Bearing - Ball | 1 |
| 99 | 110260 | Seal - Oil | 1 |
| 100 | 104357 | Bearing - Needle | 1 |
| 101 | 87699 | Crankshaft (S/Ns prefixed 11-) | 1 |
| | 87662 | Crankshaft (S/Ns prefixed 12-, 13-) | 1 |
| 102 | 63699 | Ring - Bearing insert (S/Ns prefixed 11-) | 1 |
| 103 | 63701 | Insert - Bearing (S/Ns prefixed 11-) | 1 |

MAC 7-10A

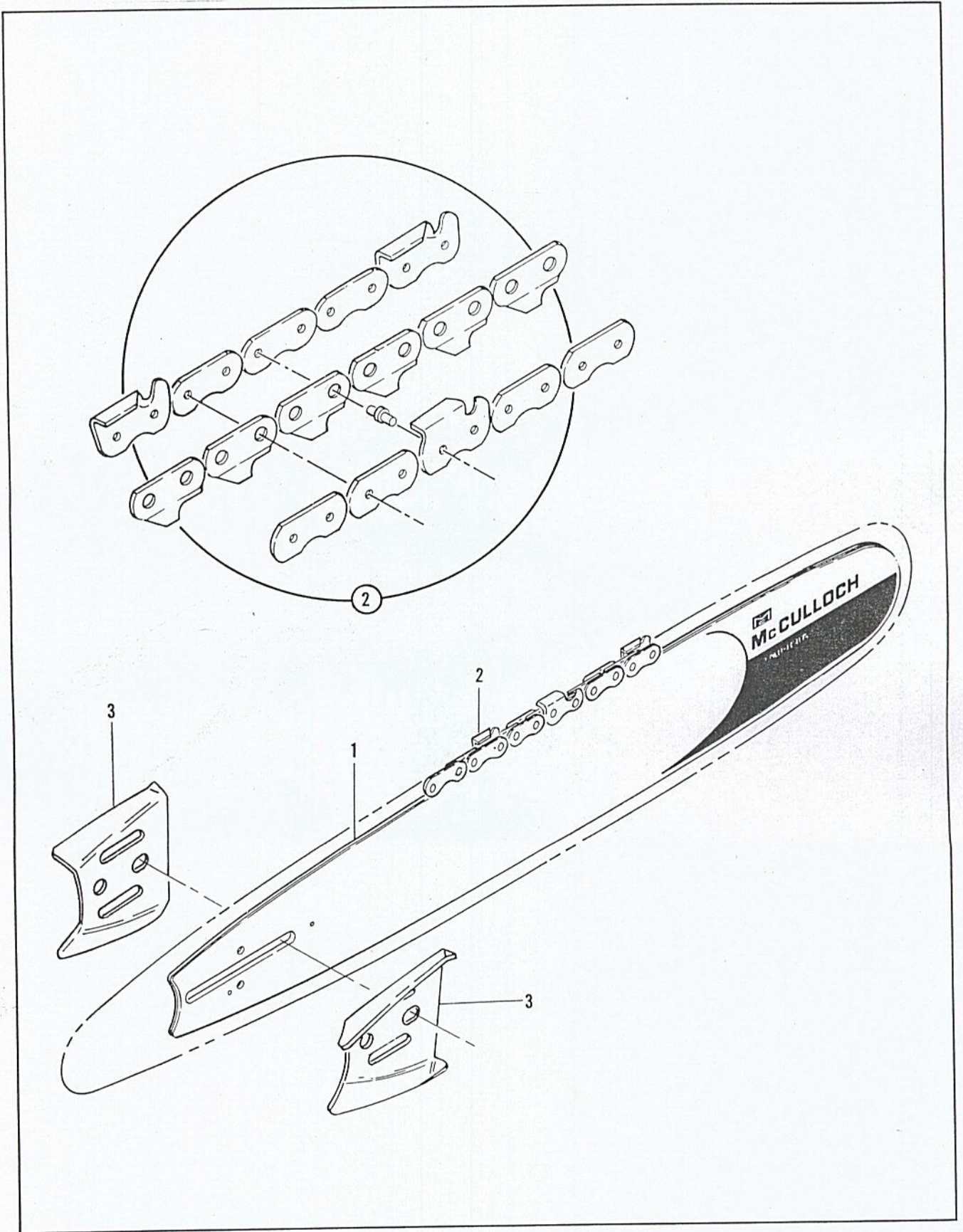


Figure 7. Bar & Chain Assembly

FIGURE 7. BAR AND CHAIN ASSEMBLIES

| Item No. | Part Number | Description | Units Per Assy |
|----------|-------------|-------------|----------------|
| 1 | 63541 | Bar | |
| 2 | 62556M | Chain Assy | |

| Item No. | Part Number | Description | Units Per Assy |
|----------|-------------|-----------------|----------------|
| | 64330 | Set - Bar Plate | 1 |
| 3 | 64325 | Plate - Bar | 2 |

SERVICE SPECIFICATIONS

| | |
|---|-------------------------|
| Spark Plug Gap ----- | 0.025 in. |
| Lamination Gap ----- | 0.010 to 0.015 in. |
| Breaker Point Gap ----- | 0.018 in. |
| Carburetor Adjustment | |
| Idle Needle - Preliminary adjustment 1 turn open. Adjust for smooth idle and acceleration. | |
| Main Needle - Preliminary adjustment 1 turn open. Adjust for maximum power under load. | |
| Torque Values | |
| Flywheel Nut ----- | 240 to 300 inch-pounds. |
| Clutch Nut ----- | 160 to 170 inch-pounds. |
| Connecting Rod Screws ----- | 65 to 70 inch-pounds. |

ACCESSORIES

| Part Number | Description |
|-------------|-------------------------|
| 85726 | Manual - Owner's |
| 62827 | Wrench - Screwdriver |
| 63746 | Scrench |
| 86330 | Kit - Spike |
| 86334 | Kit - Wrap-around frame |
| 84922 | Kit - Baffle |
| 83970 | Kit - Preheater |
| 86419 | Guide - Timing |
| 63097 | Spark Plug - AC CS 45 T |
| 65778 | Spark Plug - AC CS 41 T |

| Part Number | Description |
|-------------|----------------------------------|
| 64330 | Set - Bar plate |
| 69191 | Kit - Pressure adaptor |
| 84453 | Kit - Piston tool |
| *69031 | Piston Assy (0.020 in. oversize) |
| *63291 | . Ring Set (0.020 in. oversize) |
| 103085 | . Bearing - Needle (2) |
| *69032 | Piston Assy (0.030 in. oversize) |
| *63292 | . Ring Set (0.030 in. oversize) |
| 103085 | . Bearing - Needle (2) |

*For original MAC 7-10A engines (Serial numbers prefixed 10-), and having cast iron cylinder liners ONLY.

7-10A NUMERICAL ORDER PARTS LIST

| Part Number | Description | Units Per Assy |
|-------------|------------------------|----------------|
| 24236 | Washer - Special | 3 |
| 47690 | Screw - Rd 6-32 | 3 |
| 50120 | Wire Assy - Spark | 1 |
| 51253 | Retainer - Coil | 1 |
| 51506 | Screen - Oil | 1 |
| 53766A | Valve - Check | 1 |
| 54184 | Wiper - Oil | 1 |
| 55061 | Connector - Spark | 1 |
| 60259 | Spring - Piston | 1 |
| 60260A | Piston Assy | 1 |
| 60937 | Washer - Pulse | 1 |
| 61618 | Seal - Oil | 1 |
| 61627A | Screw - Connecting rod | 2 |
| 61678 | Plug - Nut | 1 |
| 61692 | Shim - Sprocket | 2 |
| 61705 | Nut - Blade adj. | 1 |
| 62065 | Bolt - Bar mounting | 2 |
| 62105 | Screw Assy | 4 |
| 62123B | Hose Assy - Oil | 1 |
| 62190A | Handle - Starter | 1 |
| 62191A | Insert - Starter | 1 |
| 62204C | Rotor | 1 |
| 62227 | Sleeve - Oiler | 1 |
| 62230 | Gasket - Oil | 1 |
| 62262 | Cap - Oil pump | 1 |
| 62266 | Plunger - Oil | 1 |
| 62362 | Cover - Breaker | 1 |
| 62365 | Spacer - Breaker | 1 |
| 62407 | Cover - Outlet | 1 |
| 62451 | Contact - Ignition | 1 |
| 62827 | Wrench & Screwdriver | 1 |
| 62842 | Washer - Sealing | 4 |
| 62885A | Spring - Outlet | 1 |
| 62909 | Valve - Oiler | 1 |
| 62950A | Base - Stop switch | 1 |
| 62973A | Wire Assy - Stop | 1 |
| 62978 | Screw - Oval 8-32 | 3 |
| 63097 | Sparkplug | 1 |
| 63225 | Bearing - Needle | 1 |
| 63291 | Set - Piston rings | 1 |
| 63292 | Set - Piston rings | 1 |
| 63429B | Bearing - Ball | 1 |
| 63432 | Sparkplug | 1 |
| 63464 | Ring - Snap | 1 |
| 63484 | Clamp - Frame | 1 |
| 63699 | Ring - Bearing insert | 1 |
| 63701 | Insert - Needle | 1 |
| 63746 | Kit - Comb wrench | 1 |
| 63932 | Filter - Felt | 1 |
| 64330 | Bar Plate - Set | 1 |
| 64583 | Retainer - Clutch | 2 |
| 64848 | Hose Assy | 1 |
| 64856 | Washer - Plain | 1 |
| 64871 | Button & Rod Assy | 1 |
| 64872 | Grip - Handle | 1 |
| 65778 | Sparkplug | 1 |
| 66687 | Spring - Plunger | 1 |
| 666979 | Drum & Sprocket | 1 |
| 67051 | Seal - Breaker | 1 |
| 67054 | Washer - Thrust | 1 |
| 67056 | Seal - Breaker | 1 |
| 67057 | Washer - Thrust | 1 |

| Part Number | Description | Units Per Assy |
|-------------|-------------------------|----------------|
| 67233 | Shoe - Clutch | 2 |
| 67271 | Screw - Idle adjustment | 1 |
| 67481 | Frame & Grip | 1 |
| 67482 | Gasket Set | 1 |
| 67486 | Shaft Assy | 1 |
| 67488 | Shaft Assy | 1 |
| 67489 | Clip - Throttle | 1 |
| 67490 | Valve - Choke | 1 |
| 67491 | Valve - Inlet | 1 |
| 67495 | Gasket - Fuel pump | 1 |
| 67496 | Gasket - Metering | 1 |
| 67498 | Diaphragm - Check | 1 |
| 67499 | Diaphragm Assy | 1 |
| 67500 | Screw - Metering | 1 |
| 67501 | Screw Assy - Fuel pump | 4 |
| 67502 | Spring - Adj. | 2 |
| 67503 | Spring - Lever | 1 |
| 67504 | Spring - Choke | 1 |
| 67505 | Needle - Idle adj. | 1 |
| 67506 | Needle - Hi speed | 1 |
| 67507 | Screen - Inlet | 1 |
| 67508 | Pin - Metering | 1 |
| 67509 | Lever - Metering | 1 |
| 67545 | Spring - Pawl | 2 |
| 67546 | Pawl - Starter | 2 |
| 67547 | Pivot - Pawl | 2 |
| 67922 | Plate - Lock | 1 |
| 67944 | Spring - Hose | 1 |
| 68162 | Rope - Starter | 1 |
| 68187 | Screw - Hex 10-24 | 1 |
| 68508 | Plate - Lock | 1 |
| 68522 | Seal - Throttle | 1 |
| 68529 | Knob Assy - A/C | 1 |
| 68530 | Cover Assy - Air | 1 |
| 68581 | Insulator - Shroud | 2 |
| 68582 | Plate - Lock | 1 |
| 68594 | Gasket - Fuel | 1 |
| 68846 | Button - Stop | 1 |
| 69020 | Pin - Piston | 1 |
| 69031 | Piston Assy | 1 |
| 69032 | Piston Assy | 1 |
| 69041 | Button - Choke | 1 |
| 69042 | Rod - Choke | 1 |
| 69043 | Snubber | 1 |
| 69191 | Kit - Adaptor | 1 |
| 69344 | Wire Assy - Primary | 1 |
| 69345 | Gasket - Fuel tank | 1 |
| 69506 | Plug - Welch | 1 |
| 69516 | Plate - Lock | 1 |
| 69564 | Air Box Seal | 1 |
| 69767 | Gasket - Fuel | 1 |
| 69772 | Spacer - Fuel | 1 |
| 69890 | Plate - Lock | 1 |
| 69922 | Filter - Air | 1 |
| 70798 | Screw Assy | 4 |
| 71690 | Plug - Welch | 1 |
| 83106 | Kit - Body & duct | 1 |
| 83114 | Diaphragm - Pump | 1 |
| 83126 | Strap - Conductor | 1 |
| 83204 | Kit - Air cleaner | 1 |
| 83223 | Spring - Clutch | 2 |
| 83241 | Washer - Starter | 2 |

7-10A NUMERICAL ORDER PARTS LIST

MAC 7-10A

| Part Number | Description | Units Per Assy |
|-------------|------------------------|----------------|
| 83512 | Stud - Special | 1 |
| 83748 | Shaft Assy - Starter | 1 |
| 83758 | Kit - Repair | 1 |
| 83759 | Body Assy - Carburetor | 1 |
| 83760 | Cover - Fuel pump | 1 |
| 83761 | Cover - Metering | 1 |
| 83762 | Valve - Throttle | 1 |
| 83786 | Pump Assy - Pulse | 1 |
| 83787 | Body Assy - Pulse | 1 |
| 83970 | Kit - Preheater | 1 |
| 84007 | Gasket - Muffler | 1 |
| 84015 | Carburetor Assy | 1 |
| 84051 | Pulley - Rope | 1 |
| 84078 | Spacer - Carburetor | 1 |
| 84080 | Insulator | 1 |
| 84081 | Gasket - Carburetor | 1 |
| 84082 | Gasket - Fuel | 1 |
| 84156 | Housing - Oil pump | 1 |
| 84183 | Kit - Fuel tank | 1 |
| 84252 | Cover - Fuel tank | 1 |
| 84253 | Boot - Carburetor adj. | 1 |
| 84329 | Box - Breaker | 1 |
| 84453 | Kit - Piston tool | 1 |
| 84682 | Clutch Assy | 1 |
| 84686 | Wire Assy - Ground | 1 |
| 84922 | Kit - Baffle | 1 |
| 84972 | Kit - Coil | 1 |
| 85007 | Brace - Frame | 1 |
| 85107 | Rod - Throttle | 1 |
| 85122 | Drum - Starter | 1 |
| 85138 | Lamination Assy | 1 |
| 85152 | Baffle - Spark | 1 |
| 85239 | Piston Assy | 1 |
| 85352 | Rod Assy - Connecting | 1 |
| 85358 | Condenser | 1 |
| 85451 | Lock Assy - Throttle | 1 |
| 85505 | Washer - Valve | 1 |
| 85726 | Manual - Owners | 1 |
| 85731 | Shroud - Cylinder | 1 |
| 85758 | Boot - Sparkplug | 1 |
| 85775 | Cover & Valve | 1 |
| 86053 | Shield - Starter | 1 |
| 86068 | Flywheel | 1 |
| 86113 | Nut - 3/8-24 | 1 |
| 86182 | Ring - Piston | 1 |
| 86189 | Gasket - Carburetor | 1 |
| 86273 | Screw - Idle adj. | 1 |
| 86304 | Cover - Oil tank | 1 |
| 86306 | Gasket - Cover | 1 |
| 86330 | Kit - Spike | 1 |
| 86334 | Kit - Frame & grip | 1 |
| 86402 | Valve - Check | 1 |
| 86419 | Guide - Timing | 1 |
| 86453 | Plug - Fuel cap | 1 |
| 86948 | Drum & Hub Assy | 1 |
| 86951 | Kit - Sprocket | 1 |
| 86958 | Washer - Shim | 1 |
| 87152 | Insert - Bearing | 1 |
| 87176 | Plate - Name 7-10A | 1 |
| 87178 | Spring - Trigger | 1 |
| 87246 | Coil & Lamination Assy | 1 |
| 87269 | Retainer - Valve | 1 |

| Part Number | Description | Units Per Assy |
|-------------|--------------------------|----------------|
| 87270 | Cap Assy - Oil | 1 |
| 87286 | Stop - Reed valve | 1 |
| 87662 | Crankshaft | 1 |
| 87663 | Body & Duct Assy | 1 |
| 87665 | Boot - Carburetor adj. | 1 |
| 87666 | Carburetor Assy | 1 |
| 87672 | Cover - Starter | 1 |
| 87674 | Guard - Sawdust | 1 |
| 87675 | Clutch Assy | 1 |
| 87676 | Rotor - Clutch | 1 |
| 87680 | Spring - Starter | 1 |
| 87682 | Valve - Reed | 1 |
| 87686 | Frame & Grip Assy | 1 |
| 87693 | Kit - Fan housing | 1 |
| 87699 | Kit - Crankshaft | 1 |
| 87840 | Spacer - Fuel tank | 1 |
| 87866 | Valve - Compression rel. | 1 |
| 87916 | Needle - Idle | 1 |
| 87932 | Screw - Idle adj. | 1 |
| 88586 | Guard Assy - Clutch | 1 |
| 88645 | Screw - Oiler | 1 |
| 88650 | Cover - Fuel tank | 1 |
| 88779 | Cover Assy - Muffler | 1 |
| 88796 | Trigger - Throttle | 1 |
| 88808 | Breaker Assy | 1 |
| 89114 | Clamp - Pulse | 1 |
| 89322 | Cap Assy - Fuel | 1 |
| 89400 | Insert - Handle | 1 |
| 89642 | Gasket - Pulse | 1 |
| 89711 | Crankcase | 1 |
| 89732 | Set - Piston ring | 1 |
| 100002 | Washer - #10 | 3 |
| 100003 | Washer - #10 | 1 |
| 100080 | Washer - Plain | 1 |
| 100153 | Washer - Lock | 1 |
| 100251 | Nut - Hex 8-32 | 1 |
| 100298 | Nut - Hex 6-32 | 1 |
| 100302 | Ball - .125 dia. | 1 |
| 100352 | Washer - #10 | 2 |
| 100440 | Washer - Plain | 3 |
| 100955 | Nut - Hex lock | 1 |
| 101056 | O-Ring | 2 |
| 101148 | O-Ring | 1 |
| 101326 | Nut - Hex lock | 2 |
| 101563 | Screw - Socket 10-24 | 1 |
| 102067 | Nut - Hex lock | 1 |
| 102115 | Washer - Plain | 2 |
| 102130 | Screw - Hex 1/4-20 | 1 |
| 102144 | Screw - Fil 10-24 | 1 |
| 102761 | Screw - Hex 10-24 | 2 |
| 102762 | Screw - Hex 10-24 | 1 |
| 102809 | Ball - .093 dia. | 1 |
| 103085 | Bearing - Needle | 2 |
| 103357 | Bolt - Hex 10-24 | 2 |
| 103579 | Screw - Flat 10-24 | 2 |
| 103672 | Screw - Fil 8-32 | 4 |
| 103879 | Key - Woodruff | 2 |
| 104001 | Ring - Seal | 1 |
| 104357 | Bearing - Needle | 1 |
| 104534 | Screw - Socket 10-24 | 1 |
| 104816 | Screw - Hex 10-24 | 1 |
| 105673 | Pin - Roll | 2 |

MAC 7-10A

7-10A NUMERICAL ORDER PARTS LIST

| Part Number | Description | Units Per Assy |
|-------------|---------------------|----------------|
| 105976 | Washer - #8 | 1 |
| 106078 | Screw - Pan 10-24 | 1 |
| 106104 | O-Ring | 1 |
| 110127 | Screw - Hex 10-24 | 1 |
| 110260 | Seal - Oil | 1 |
| 110264 | Washer - Plain | 2 |
| 110288 | Screw - Hex | 3 |
| 110291 | Screw - Pan 10-24 | 1 |
| 110330 | Bearing - Sprocket | 1 |
| 110341 | Screw - Hex 10-24 | 1 |
| 110346 | Screw - Hex 6-32 | 1 |
| 110378 | Pin - Roll | 1 |
| 110386 | Screw - Hex 8-32 | 1 |
| 110387 | Washer - Wavey | 1 |
| 110402 | Screw - Oval 12-24 | 1 |
| 110445 | Screw - Truss hd | 1 |
| 110454 | Nut - Hex 5/16-24 | 2 |
| 110470 | Rivet - Rd | 1 |
| 110472 | Screw - Socket 8-32 | 2 |
| 110529 | Screw - Hex 10-24 | 1 |

| Part Number | Description | Units Per Assy |
|-------------|----------------------|----------------|
| 110565 | Ring - Retaining | 1 |
| 110566 | Screw - Hex 12-24 | 1 |
| 110567 | Screw - Hex 12-24 | 2 |
| 110568 | Screw - Hex 12-24 | 1 |
| 110584 | Screw - Pan 8-32 | 1 |
| 110590 | Bearing | 2 |
| 110594 | Nut - Lock | 1 |
| 110618 | Screw - Hex 8-32 | 1 |
| 110646 | Screw - Oval 8-32 | 3 |
| 110657 | Pin - Roll | 1 |
| 110668 | Screw - Fil 8-32 | 1 |
| 110681 | Screw - Socket 10-24 | 1 |
| 110682 | Screw - Hex 10-24 | 1 |
| 110703 | Nut - Hex 3/8-24 | 1 |
| 110706 | Screw - Pan 8-18 | 1 |
| 110713 | Screw - Socket 10-24 | 4 |
| 110741 | Screw - Pan 10-24 | 1 |
| 110811 | Screw - Pan 8-32 | 1 |
| 110851 | Pin - Dowel | 1 |