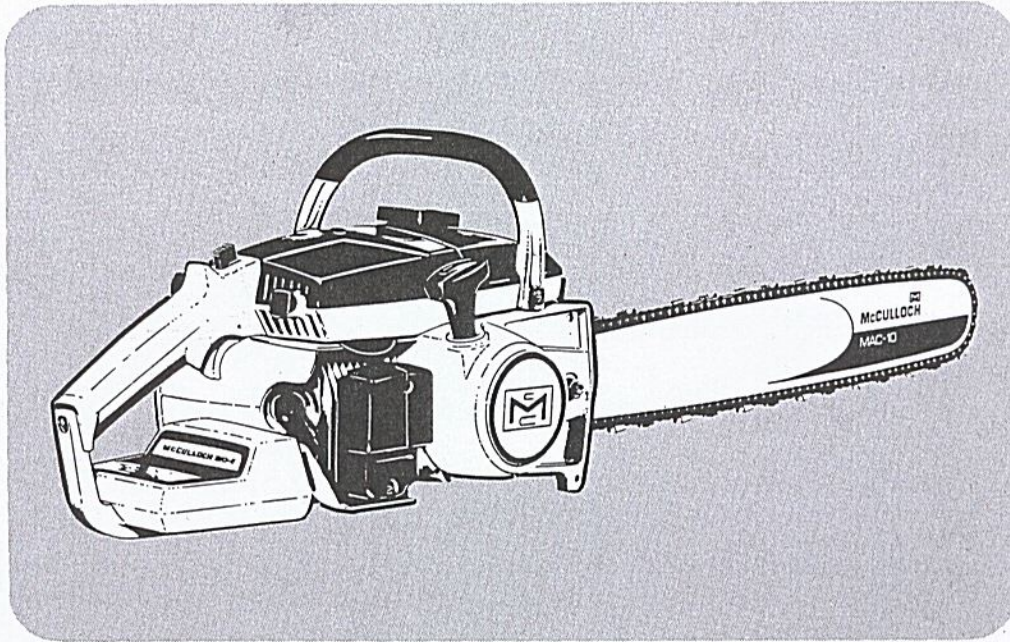


# MAC 3-10 E Chain Saw

Serial Numbers Prefixed 12-

## ILLUSTRATED PARTS LIST



September 1967

This parts list is number 5 of the lists issued for this model. If you are missing any of these lists, order them from your distributor.

The policy of McCulloch Corporation is one of continual improvement in design, manufacturing and engineering advancement wherever possible to assure still finer two-cycle power tools. Hence, specifications, equipment, colors, design and manufacturer's suggested list prices are subject to change without notice and McCulloch Corporation reserves the right to make such changes without prior notification or obligation to backfit or supply backfit components for units previously shipped from the factory.

	Page
Figure 1. Engine Exploded View - General	2
Figure 2. Clutch Guard & Starter Assembly	4
Figure 3. Fuel Tank Assembly	4
Figure 4. Carburetor Assembly	6
Figure 5. Electrical Components	8
Figure 6. Powerhead Assembly	10



# McCULLOCH

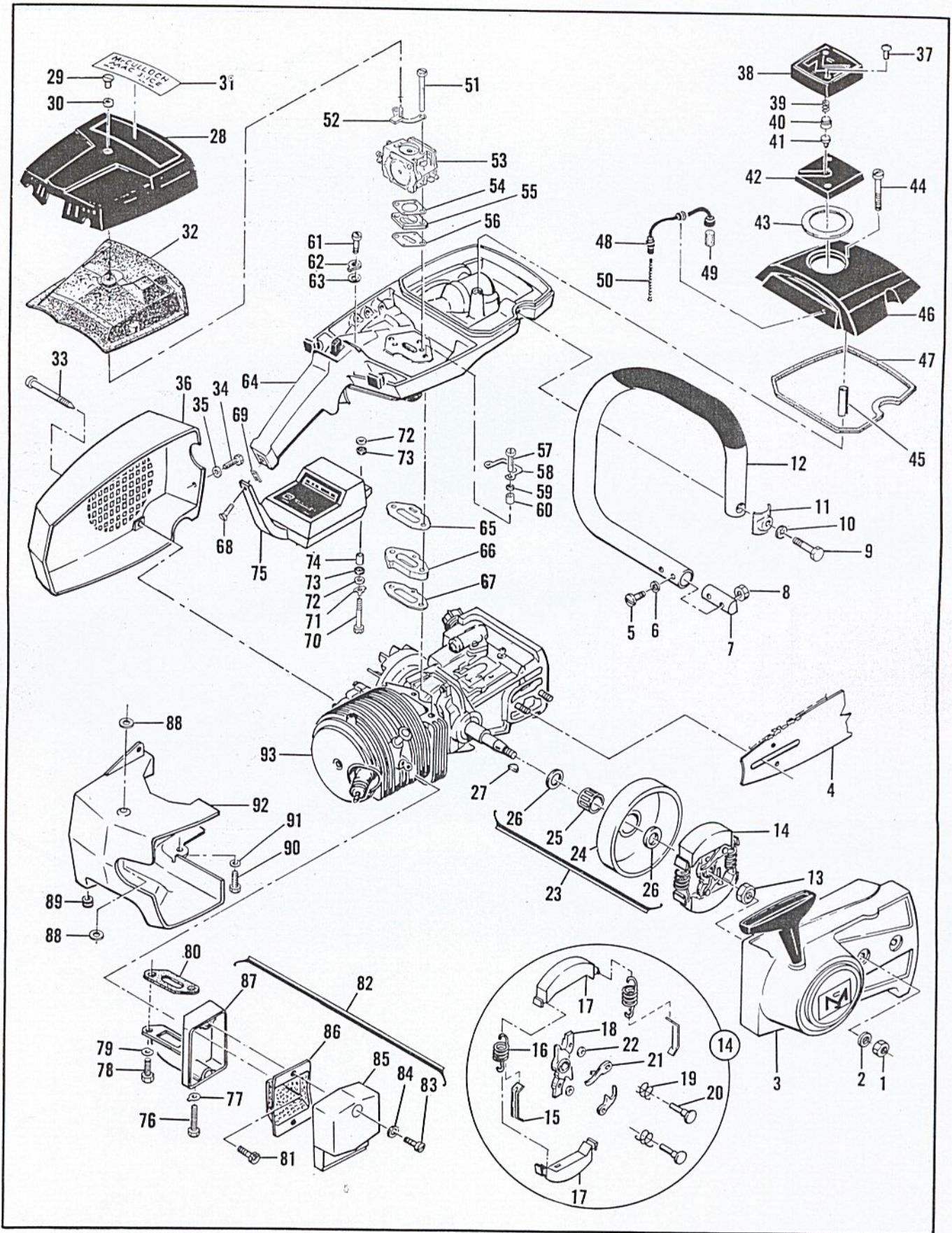


Figure 1. Engine Exploded View-General

FIGURE 1. ENGINE EXPLODED VIEW — GENERAL

Item No.	Part Number	Description	Units Per Assy	Item No.	Part Number	Description	Units Per Assy
1	110454	Nut - Hex 5/16-24	2	47	62102	Gasket - Cover	1
2	100440	Washer - 5/16	2	48	64848	Hose Assy - Fuel	1
3		Clutch Guard & Starter Assy (See Figure 2)	1	49	63932	. Filter - Fuel	1
4		Bar & Chain (See Figure 6)	1	50	-67944	Spring - Hose	1
5	102761	Screw - Hex hd 10-24 x 7/8	2	51	-103356	Screw - Hex hd 10-24 x 2-1/8	2
6	100352	Washer - #10	2	52	-66681	Bracket Assy	1
7	61678	Plug - Nut retainer	1	53		Carburetor Assy (See Figure 4)	1
8	101326	Nut - Hex 10-24	2	54	-67904	Gasket - Carburetor	1
9	102130	Screw - Hex 1/4-20 x 1-1/2	1	55	-66678	Spacer - Carburetor	1
10	100153	Lockwasher - 1/4	1	56	-66752	Gasket - Spacer	1
11	63484	Clamp - Frame	1	57	-110505	Screw - Hex hd 10-24 x 1-3/8	2
12	66315	Frame & Grip Assy	1	58	-68126	Lockplate	1
13	103746	Nut - Hex 3/8-24	1	59	-100003	Washer	2
14	67148	Clutch Assy	1	60	-66189	Sleeve	2
15	64583	. Retainer	2	61	-110516	Screw - Hex hd 10-24 x 1-1/8	1
16	-66384	. Spring - Clutch	2	62	63475	Lockplate	1
17	-67233	. Shoe - Clutch	2	63	-64856	Washer - #10	1
18	67149	. Rotor Assy	1	64		Fuel Tank Assy (See Figure 3)	1
19	67111	. . Spring - Pawl	2	65	-65674	Gasket - Fuel tank	1
20	67112	. . Rivet	2	66	66659	Insulator - Fuel tank	1
21	64857	. . Pawl	2	67	65674	Gasket - Insulator	1
22	65473	. . Washer - Special	2	68	110223	Screw - Oval hd 10-24 x 5/8	1
23	65370	Kit - Sprocket, Drum & Bearing Assy	1	69	66672	Cushion - Handle brace	1
24	65368	. Sprocket & Drum Assy	1	70	102765	Screw - Hex hd 10-24 x 1-3/4	1
25	110330	. Bearing	1	71	66673	Lockplate	1
26	61692	. Shim	2	72	105831	Washer - Steel	2
27	103879	Key - Woodruff	1	73	71017	Washer - Rubber	2
28	-66597	Cover Assy - Air cleaner	1	74	66674	Sleeve - Handle brace	1
29	-66290	. Nut	1	75		Handle Brace & Battery Assy (See Figure 5)	1
30	-66665	. Spacer - Nut	1	76	-110507	Screw - Hex hd 10-24 x 1-3/8	1
31	67436	Nameplate	1	77	-28052	Lockplate	1
32	-66652	Filter - Air	1	78	-110506	Screw - Hex hd 10-24 x 1/2	1
33	64626	Screw - Special	3	79	-36388	Lockplate	1
34	-105348	Screw - 10-24 x 1/2 (SEMS)	1	80	-62337	Gasket - Spark arrester	1
35	-110264	Washer - #10	1	81	110341	Screw - Hex 10-24 x 1/2	1
36	-67297	Housing - Fan	1	82	64846	Spark Arrester Assy	1
	-67266	Cap Assy	1	83	102290	. Screw - Hex hd 10-24 x 1-1/8	2
37	-110510	. Rivet	2	84	110264	. Washer - #10	2
38	-67267	. Cover	1	85	62380	. Cover	1
39	63040	. Spring	1	86	62379B	. Baffle	1
40	62316	. Guide	1	87	64601	. Body & Duct Assy	1
41	63041	. Valve	1	88	62085A	Insulator - Shroud	2
42	-64761	. Body	1	89	101230	Grommet	1
43	65671	. Gasket	1	90	103469	Screw - Hex hd 10-24 x 3/8	1
44	110402	Screw - Oval hd 10-24 x 2-3/8	1	91	100352	Washer	1
45	63270	Spacer - Screw	1	92	-67377	Shroud	1
46	63288	Cover - Fuel tank	1	93		Powerhead Assy (See Figure 6)	1

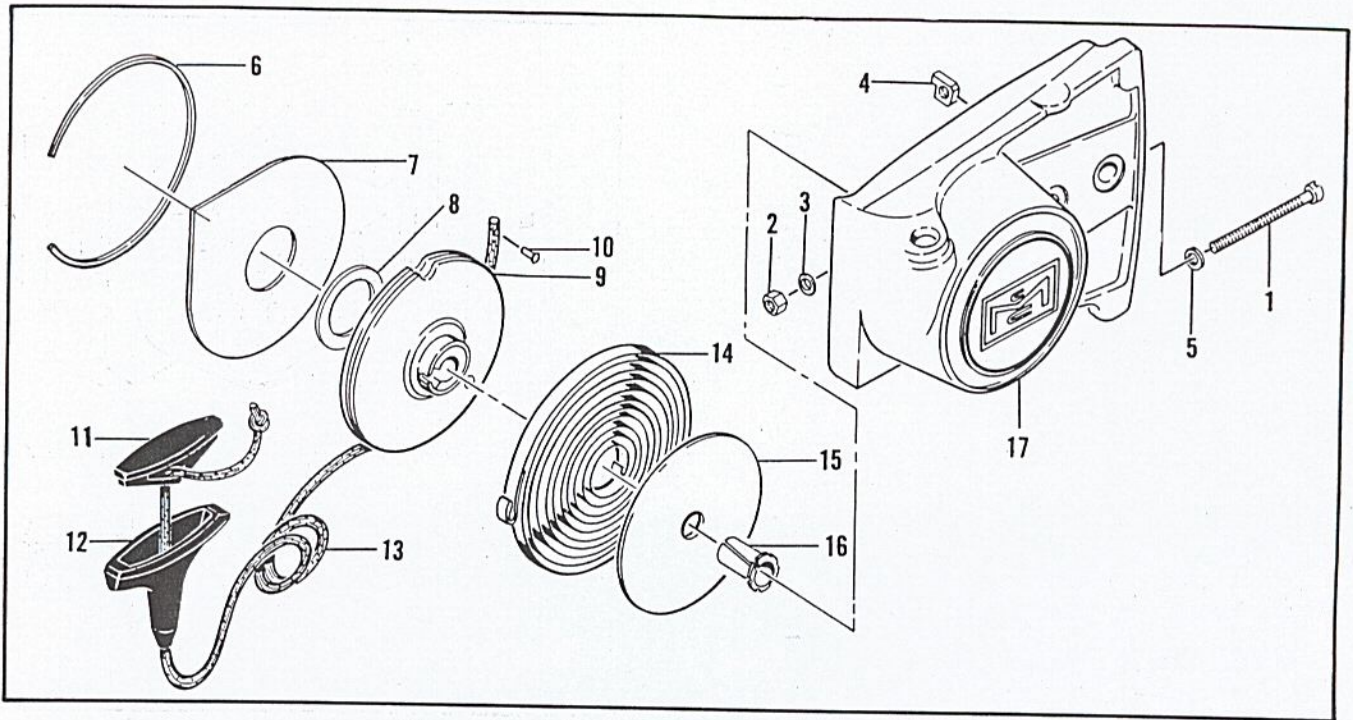


Figure 2. Clutch Guard and Starter Assembly

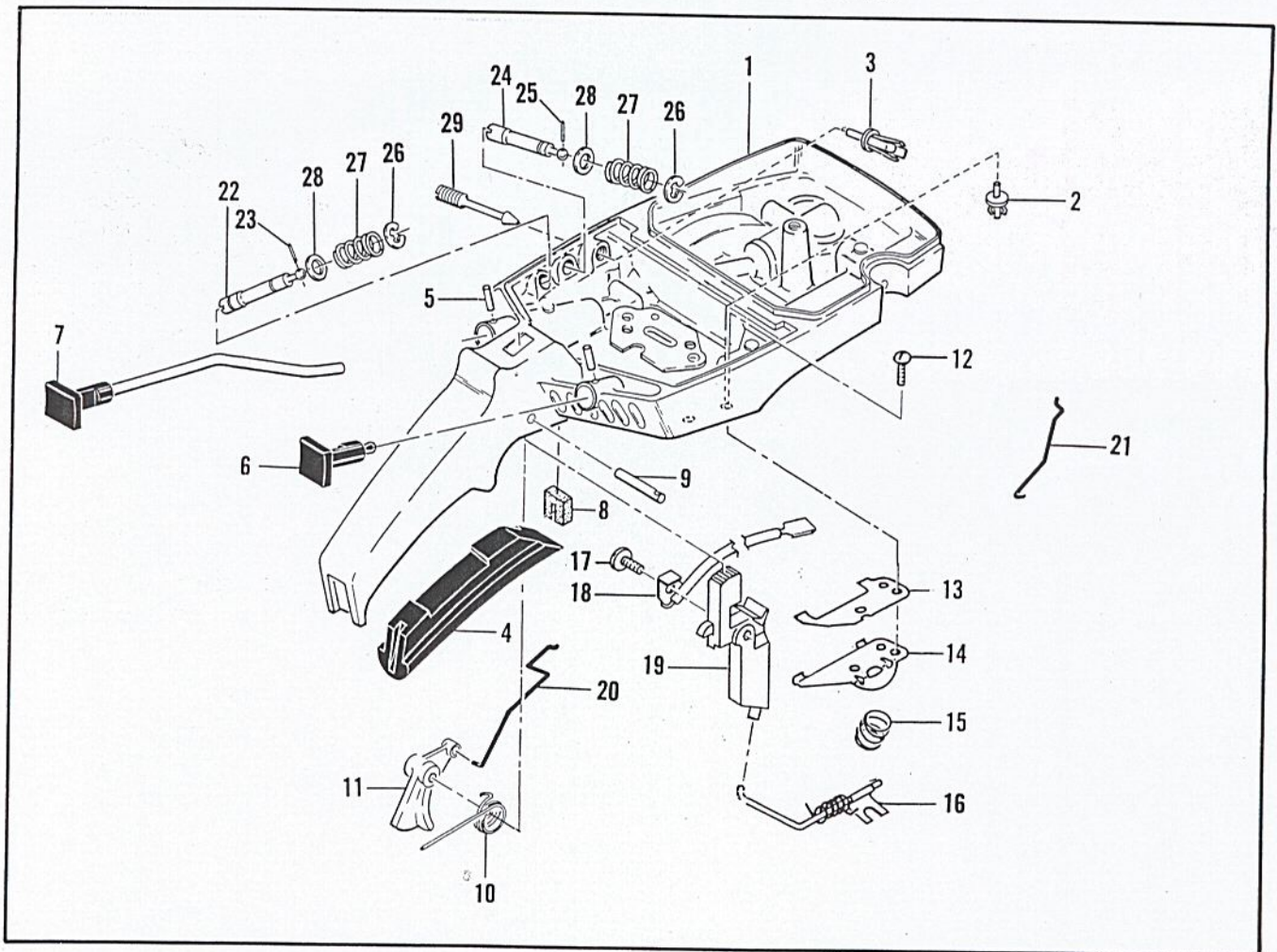


Figure 3. Fuel Tank Assembly

FIGURE 2. CLUTCH GUARD AND STARTER ASSEMBLY

Item No.	Part Number	Description	Units Per Assy
	- 67206	Clutch Guard Assy	1
1	102144	. Screw - Bar adjusting	1
2	102067	. Nut - Hex #10	1
3	110387	. Washer - Wave	1
4	61705	. Nut - Bar adjusting	1
5	101174	. Washer - #10	1
6	- 67205	. Retainer - Shield	1
7	63985	. Shield - Dust	1
8	63986	. Washer - Thrust	1

Item No.	Part Number	Description	Units Per Assy
9	65526	. Drum - Starter	1
10	110470	. Rivet - Starter rope	1
11	62191A	. Insert - Handle	1
12	62190A	. Handle - Starter	1
13	- 67125	. Rope - Starter	1
14	36059	. Spring - Rewind	1
15	63987	. Shield - Spring	1
16	61635A	. Bushing - Nyliner	1
17	67207	. Guard - Clutch	1

FIGURE 3. FUEL TANK ASSEMBLY

Item No.	Part Number	Description	Units Per Assy
1	- 67200	Fuel Tank Assy	1
2	105788	. Rivet	2
3	110531	. Rivet	3
4	64872	Grip - Handle	1
5	105673	Pin - Roll 3/32 x 9/16	2
6	- 67936	Button - Choke	1
7	64871	Button & Rod Assy	1
8	- 67989	Seal - Throttle rod	1
9	110378	Pin - Roll 3/16 x 15/16	1
10	65734	Spring - Throttle return	1
11	- 67232	Trigger	1
12	105249	Screw - Rd hd 8-32 x 3/8	2
13	64621	Shield	1
14	64721	Bracket - Lever Assy	1
15	64650	Spring - Valve	1

Item No.	Part Number	Description	Units Per Assy
16	- 67220	Lever Assy - Compression release	1
17	110469	Screw - Pan hd 8-32 x 5/16	1
18	65873	Wire Assy - Stop switch	1
19	67210	Button - Control	1
20	66676	Rod - Throttle	1
21	67355	Rod - Choke	1
22	- 67369	Extension Assy - High speed	1
23	- 110509	. Pin - Groove	1
24	- 67368	Extension Assy - Idle	1
25	- 110509	. Pin - Groove	1
26	- 110512	Ring - Retaining	2
27	- 67363	Spring	2
28	- 67292	Washer	2
29	- 67271	Screw - Idle adjustment	1



FIGURE 4. CARBURETOR ASSEMBLY

Item No.	Part Number	Description	Units Per Assy
	- 67379	Carburetor Assy	1
1	- 67501	. Screw - Pump cover	4
2	- 67484	. Cover - Pump	1
3 *	- 67495	. Gasket - Cover	1
4 *	- 67498	. Diaphragm - Check valve	1
5 *	- 67497	. Diaphragm - Fuel pump	1
6 *	- 47690	. Screw - Plate	3
7	- 67487	. Plate - Throttle	1
8	- 67489	. Clip - Shaft	1
9	- 67486	. Shaft Assy - Throttle	1
10	- 67490	. Plate - Choke	1
11	- 67488	. Shaft Assy - Choke	1
12 *	- 67494	. Ball - Choke friction	1
13 *	- 67504	. Spring - Choke	1
14 *	- 67506	. Needle - High speed	1
15 *	- 67505	. Needle - Idle	1
16 *	- 67502	. Spring - Needle	2

Item No.	Part Number	Description	Units Per Assy
17	- 70798	. Screw - Diaphragm cover	4
18	- 67485	. Cover - Diaphragm	1
19 *	- 67499	. Diaphragm - Metering	1
20 *	- 67496	. Gasket - Diaphragm	1
21 *	- 67500	. Screw - Lever pin	1
22 *	- 67508	. Pin - Lever	1
23 *	- 67509	. Lever - Metering	1
24 *	- 67503	. Spring - Lever	1
25 *	- 67491	. Valve - Needle	1
26	- 67483	. Body Assy - Carburetor	1
27 *	- 67492	. . Plug - 3/8	1
28 *	- 67493	. . Plug - 5/16	1
29 *	- 67507	. . Screen - Fuel	1
	* 67482	Gasket Set	
	67481	Repair Kit	

\*Indicates parts included in Repair Kit, P/N 67481

Wire continuity shown by letters.  
Match A-A, B-B, etc.

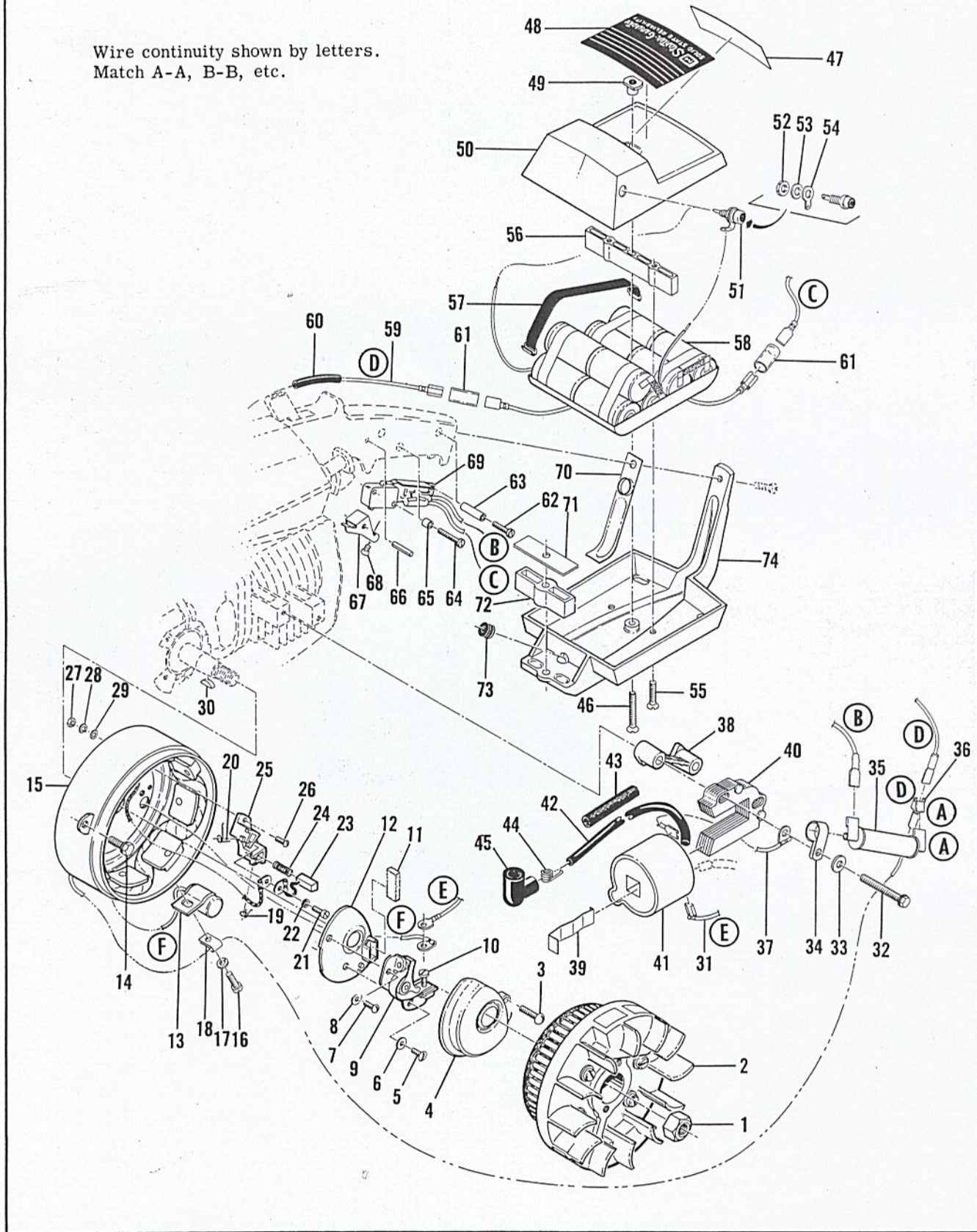


Figure 5. Electrical Components



FIGURE 5. ELECTRICAL COMPONENTS

Item No.	Part Number	Description	Units Per Assy
1	101391	Nut - Hex 3/8-24	1
2	65995	Armature & Flywheel Assy	1
3	100690	Screw - Rd hd 8-32 x 1/2	1
4	65415	Top - Breaker box	1
5	110445	Screw - Tr hd 8-32 x 3/8	1
6	105976	Washer - #8	1
7	100934	Screw - Rd hd 8-32 x 3/8	1
8	100080	Washer - #8	1
9	66231	Breaker Assy	1
10	110489	. Screw - Pan hd 6-32 x 7/16	1
11	54184	Wiper	1
12	65414	Base - Breaker points	1
13	64624	Condenser	1
14	110446	Screw - Hex hd 10-24 x 3/4	2
15	65996	Housing Assy - Field coil	1
16	66005	. Screw - Fil hd 8-32 x 5/16	1
17	105464	. Lockwasher - #8	1
18	66004	. Clamp	1
19	- 66777	. Spring - Brush clip	1
20	- 66776	. Spring - Brush clip	1
21	65997	. Screw - Fil hd 5-40 x 1/4	2
22	65998	. Lockwasher - #5	2
23	65999	. Brush	2
24	66003	. Spring - Brush	2
25	- 66778	. Kit - Brush holder	1
26	66007	. . Screw	2
27	66009	. . Nut	2
28	66008	. . Lockwasher	2
29	66162	. . Washer	2
30	103879	Key - Woodruff	1
31	64909	Wire Assy - Primary	1
32	110450	Screw - Hex hd 10-24 x 1-5/8	2
33	100003	Washer - #10	2
34	65517	Clamp - Mounting	2
35	65518	Resistor	1
36	110478	Terminal - Wire	1
37	62819	Wire Assy - Ground	1
38	64653	Spacer - Coil	1
39	51253	Retainer - Coil	1
40	- 68164	Lamination Assy	1
41	64619	Coil & Terminal Assy	1
42	- 67400	. Wire Assy - Spark plug	1
43	67127	. . Sleeve - Wire Assy	1
44	62932	. . Connector	1
45	62926	. . Boot - Spark plug	1
46	110480	Screw - Fil hd 8-32 x 1-3/8	1
47	65304	Nameplate	1
48	65305	Emblem	1
49	65319	Insert - Cover	1
50	65470	Cover - Battery box	1
51	65567	Phono-Jack	1
52	65876	. Nut	1
53	65875	. Washer	1
54	65877	. Terminal	1
55	100403	Screw - Fil hd 10-24 x 1	2
56	66234	Spacer - Battery	1
57	65501	Strap Assy - Battery	2
58	66161	Battery Assy	1
59	65541	Wire Assy - Battery to resistor	1
60	80975	Sleeve - Wire Assy	1
61	65306	Sleeve - Wire terminal	2
62	110462	Screw - Pan hd 4-40 x 11/16	1
63	64874	Spacer - Long	1
64	110463	Screw - Pan hd 4-40 x 13/16	2
65	64873	Spacer - Short	2
66	110451	Pin - Roll	1
67	64681	Actuator	1
68	- 110477	Screw - Actuator pan hd 6-32 x 3/16	1
69	- 68145	Switch - Regulator Assy	1
70	64727	Strip - Handle brace	1
71	65512	Insulator - Shroud	1
72	66206	Spacer - Handle	1
73	101230	Grommet - Handle brace	1
74	66671	Brace - Handle	1

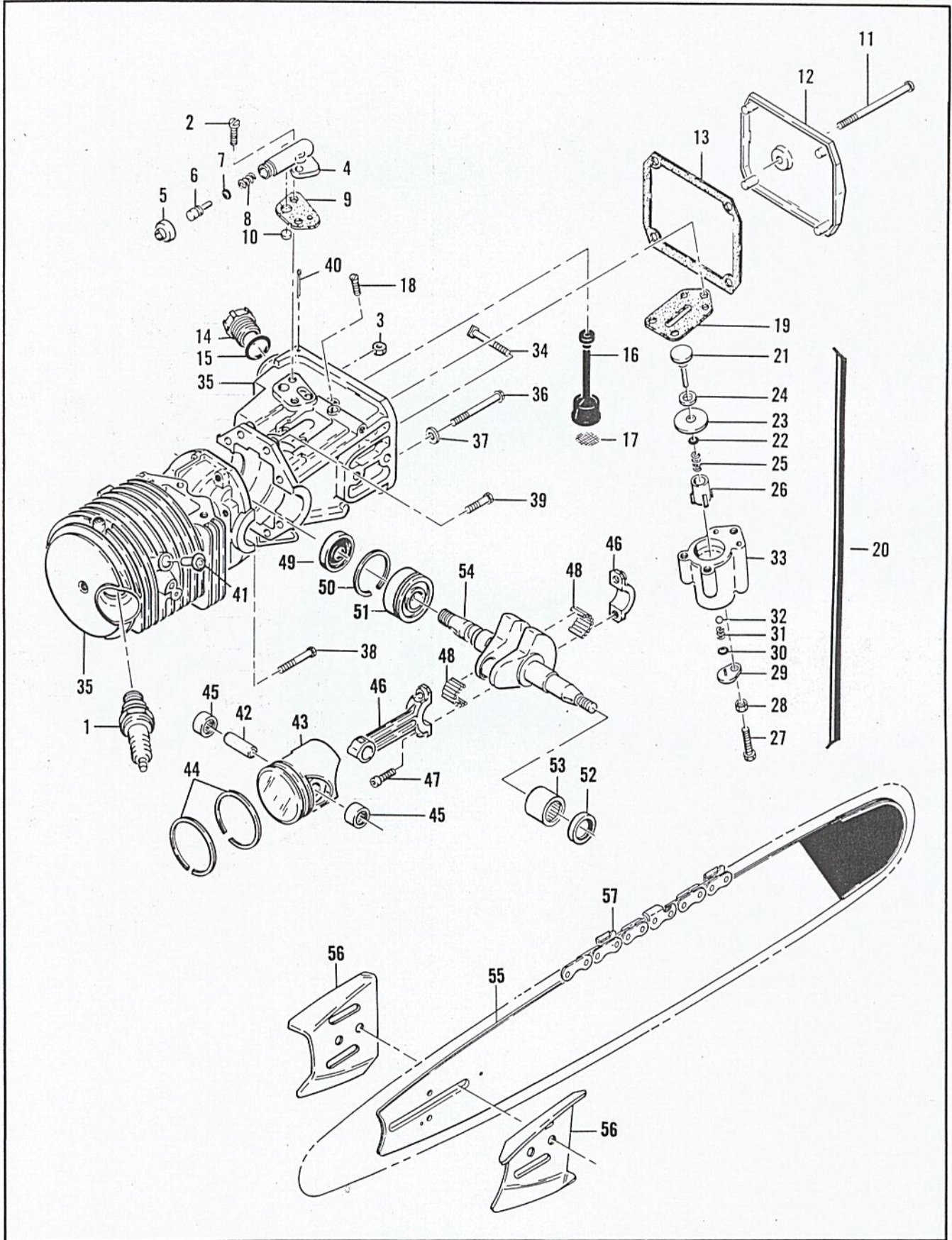


Figure 6. Powerhead Assembly

FIGURE 6. POWERHEAD ASSEMBLY

Item No.	Part Number	Description	Units Per Assy
1	63097	Spark Plug	1
2	100414	Screw - Fil hd 8-32 x 1/2	2
3	100955	Nut - Hex 8-32	1
4	62261A	Housing - Pump	1
5	62262	Cap - Housing	1
6	62266	Plunger - Pump	1
7	101056	"O" Ring - Plunger	1
8	66687	Spring - Plunger	1
9	62230	Gasket - Pump	1
10	62909	Valve - Pump	1
11	110291	Screw - Pan hd 10-24 x 2-3/4	1
12	63072	Cover - Oil tank	1
13	62116	Gasket - Cover	1
14	57129A	Cap - Oil Tank	1
15	101148	"O" Ring - Cap	1
16	62123B	Hose Assy - Oil	1
17	51506	Screen - Hose	1
18	110333	Screw - Oval hd 8-32 x 1/2	3
19	62274	Gasket - Pulse pump	1
20	62320C	Pump Assy - Pulse	1
21	60260A	. Piston Assy - Pump	1
22	104001	. "O" Ring	1
23	60263	. Ring - Piston	1
24	60937	. Washer - Teflon	1
25	60259	. Spring - Piston	1
26	62227	. Sleeve - Adjustment	1
27	110386	. Screw - Hex hd 8-32 x 1	1
28	100251	. Nut - Hex 8-32	1
29	63858	. Cover Assy - Valve	1

Item No.	Part Number	Description	Units Per Assy
30	106104	. "O" Ring	1
31	62885A	. Spring	1
32	102809	. Ball	1
33	62321B	. Body	1
34	62065	Bolt - Bar	2
35	-67216	Crankcase Assy	1
36	62105	. Screw Assy - Sealing	4
37	62842	. . Washer - Sealing	4
38	110289	. Screw Assy - 8-32 x 1-1/8	1
39	110288	. Screw Assy - 8-32 x 3/4	3
40	100010	. Pin - Cotter	1
41	64755	. Valve - Compression release	1
42	61649	Pin - Piston	1
43	62824	Piston Assy	1
44	62814	. Ring Set - Piston	1
45	103512	. Bearing	2
46	65401	Connecting Rod Assy	1
47	61627A	. Screw - Skt hd 8-36 x 1/2	2
48	63225	. Roller - Needle (set of 20)	1
49	65746	Oil Seal	1
50	63464	Ring - Snap	1
51	63429B	Bearing - Ball	1
52	65747	Oil Seal	1
53	104357	Bearing - Needle	1
54	63336	Crankshaft	1
55		Bar	
56	64325	Plate - Bar Protector	2
57		Chain Assy	

## ACCESSORIES

Part Number	Description
67943	Manual - Owner's
63084	Manual - Shop
62827	Wrench
63341A	Kit - Spike
65529	Kit - Reed spark arrester
66316	Kit - Wrap-around frame
63746	Kit - Wrench
65325	Baffle - Spark arrester
64330	Plate Set - Bar protector (2)
67098	Charger Assy - Battery

Part Number	Description
63432	Spark Plug - AC CS 42T
65778	Spark Plug - AC CS 41T
62825	Piston Assy 0.020 in. oversize
62813	. Ring Set - Piston 0.020 in. oversize
103512	. Bearing - Needle (2)
62826	Piston Assy - 0.030 in. oversize
62812	. Ring Set - Piston 0.030 in. oversize
103512	. Bearing - Needle (2)