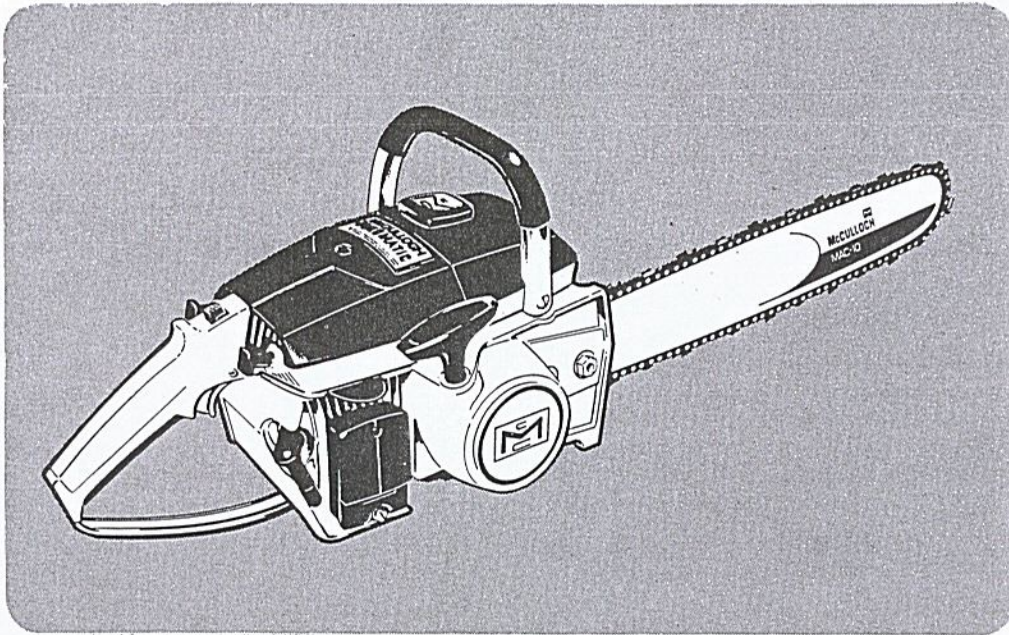


MAC 2-10 AUTOMATIC Chain Saw

Serial Numbers Prefixed 10- & 12-

ILLUSTRATED PARTS LIST



July 1967

The following pages contain an Illustrated Parts List for this model. Due to small differences between engines, it is important that the Serial Number be included whenever spare parts are ordered.

The policy of McCulloch Corporation is one of continual improvement in design, manufacturing and engineering advancement wherever possible to assure still finer two-cycle power tools. Hence, specifications, equipment, colors, design and manufacturer's suggested list prices are subject to change without notice and McCulloch Corporation reserves the right to make such changes without prior notification or obligation to backfit or supply backfit components for units previously shipped from the factory.

	Page
Figure 1. Engine Exploded View - General (10-)	2
Figure 1A. Engine Exploded View - General (12-)	4
Figure 2. Clutch Guard and Starter (Both)	6
Figure 3. Fuel Tank Assembly (10-)	6
Figure 3A. Fuel Tank Assembly (12-)	8
Figure 4. Carburetor Assembly (10-)	10
Figure 4A. Carburetor Assembly (12-)	12
Figure 5. Powerhead Assembly (Both)	14
Figure 6. Bar and Chain Assembly (Both)	16



McCULLOCH

MAC 2-10 AUTOMATIC

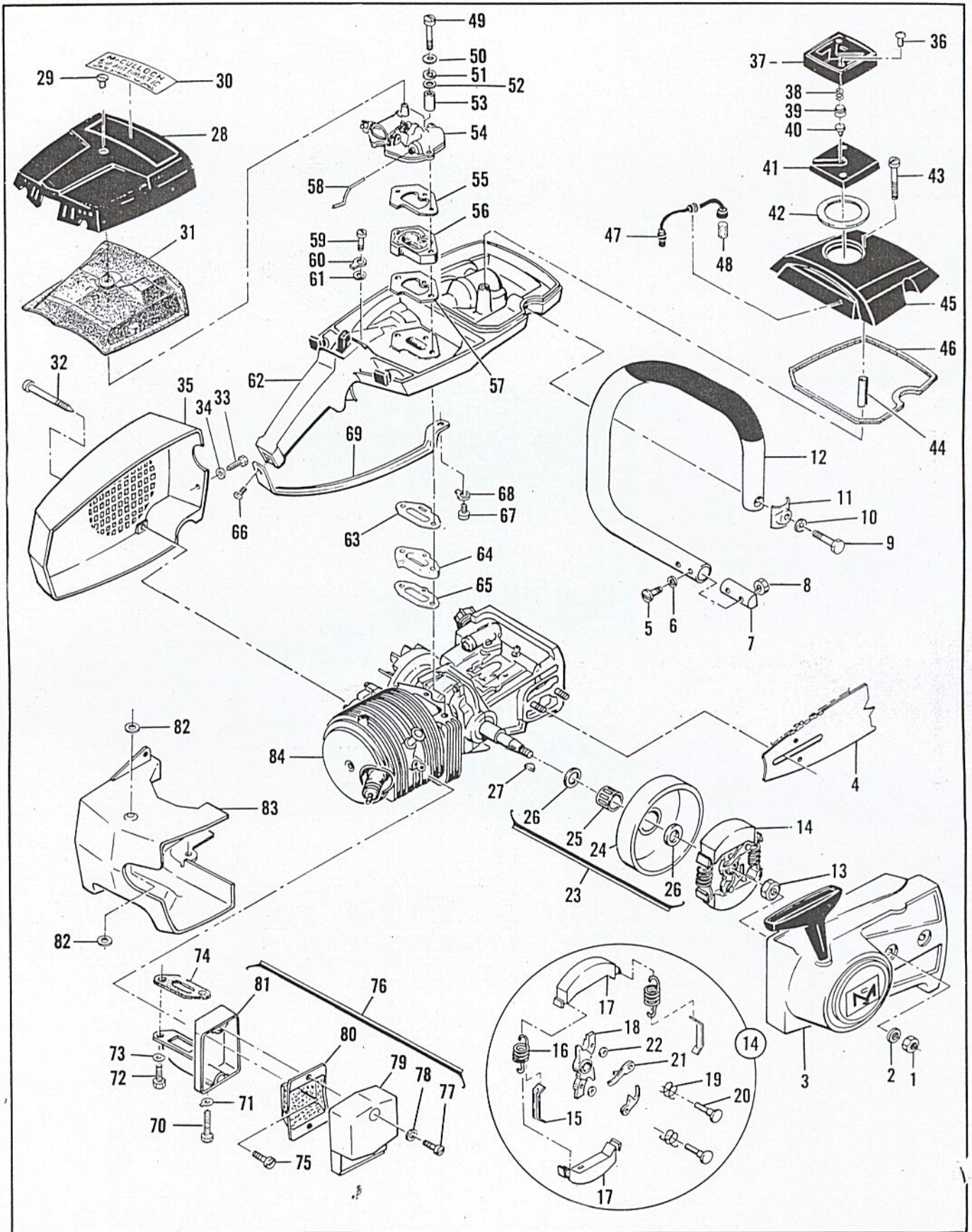


Figure 1. Engine Exploded View - General (10-)

FIGURE 1. ENGINE EXPLODED VIEW — GENERAL (10-)

Item No.	Part Number	Description	Units Per Assy
1	110454	Nut - Hex 5/16-24	2
2	100440	Washer - 5/16	2
3		Clutch Guard & Starter Assy (See Figure 2)	1
4		Bar & Chain (See Figure 6)	1
5	102761	Screw - Hex hd 10-24 x 7/8	2
6	100352	Washer - #10	2
7	61678	Plug - Nut retainer	1
8	101326	Nut - Hex 10-24	2
9	102130	Screw - Hex 1/4-20 x 1-1/2	1
10	100153	Lockwasher - 1/4	1
11	63484	Clamp - Frame	1
12	66310	Frame & Grip Assy	1
13	103746	Nut - Hex 3/8-24	1
14	-67148	Clutch Assy	1
15	64583	. Retainer	2
16	-66384	. Spring - Clutch	2
17	-67233	. Shoe - Clutch	2
18	-67149	. Rotor Assy	1
19	-67111	. . Spring - Pawl	2
20	-67112	. . Rivet	2
21	64857	. . Pawl	2
22	65473	. . Washer - Special	2
23	65370	Kit - Sprocket, Drum & Bearing Assy	1
24	65368	. Sprocket & Drum Assy	1
25	110330	. Bearing	1
26	61692	. Shim	2
27	103879	Key - Woodruff	1
28	65750	Cover Assy - Air cleaner	1
29	65720	. Nut	1
30	-67417	Nameplate	1
31	66571	Filter - Air	1
32	62978	Screw - Special	3
33	-105348	Screw - 10-24 x 1/2 (SEMS)	1
34	-110264	Washer - #10	1
35	-67117	Housing - Fan	1
	-67266	Cap Assy	1
36	-110510	. Rivet	2
37	-67267	. Cover	1
38	63040	. Spring	1
39	62316	. Guide	1
40	63041	. Valve	1
41	-64761	. Body	1

Item No.	Part Number	Description	Units Per Assy
42	65671	. Gasket	1
43	110402	Screw - Oval hd 12-24 x 2-3/8	1
44	63270	Spacer - Screw	1
45	63288	Cover - Fuel tank	1
46	62102	Gasket - Cover	1
47	64848	Hose Assy - Fuel	1
48	63932	. Filter - Fuel	1
49	-103356	Screw - Hex hd 10-24 x 2-1/8	2
50	36388	Lockplate	2
51	64856	Washer - #10	2
52	55636	Washer - Insulating	2
53	65726	Sleeve - Insulating	2
54		Carburetor Assy (See Figure 4)	1
55	65672	Gasket - Carburetor	1
56	67380	Spacer - Carburetor	1
57	67235	Gasket - Spacer	1
58	65678	Rod - Primer	1
59	-110516	Screw - Hex hd 10-24 x 1-1/8	1
60	63475	Lockplate	1
61	-64856	Washer - #10	1
62		Fuel Tank Assy (See Figure 3)	1
63	-65674	Gasket - Fuel tank	1
64	66659	Insulator - Fuel tank	1
65	65674	Gasket - Insulator	1
66	110353	Screw - Oval hd 10-24 x 3/8	1
67	102289	Screw - Hex hd 10-24 x 3/4	1
68	-28052	Lockplate	1
69	-67141	Brace - Handle	1
70	-110507	Screw - Hex hd 10-24 x 1-3/8	1
71	-28052	Lockplate	1
72	-110506	Screw - Hex hd 10-24 x 5/8	1
73	-36388	Lockplate	1
74	62337	Gasket - Spark arrester	1
75	110341	Screw - Hex hd 10-24 x 1/2	1
76	64846	Spark Arrester Assy	1
77	102290	. Screw - Hex hd 10-24 x 1-1/8	2
78	110264	. Washer - #10	2
79	62380	. Cover	1
80	62379B	. Baffle	1
81	64601	. Body & Duct Assy	1
82	62085A	Insulator - Shroud	2
83	-67377	Shroud	1
84		Powerhead Assy (See Figure 5)	1

Part numbers which have changed since the previous printing of the illustrated parts list covering this model, are indicated by a dash (-) preceding the new part number. The dash precedes part numbers changed by a letter suffix as well as those changed to an entirely new number.

MAC 2-10 AUTOMATIC

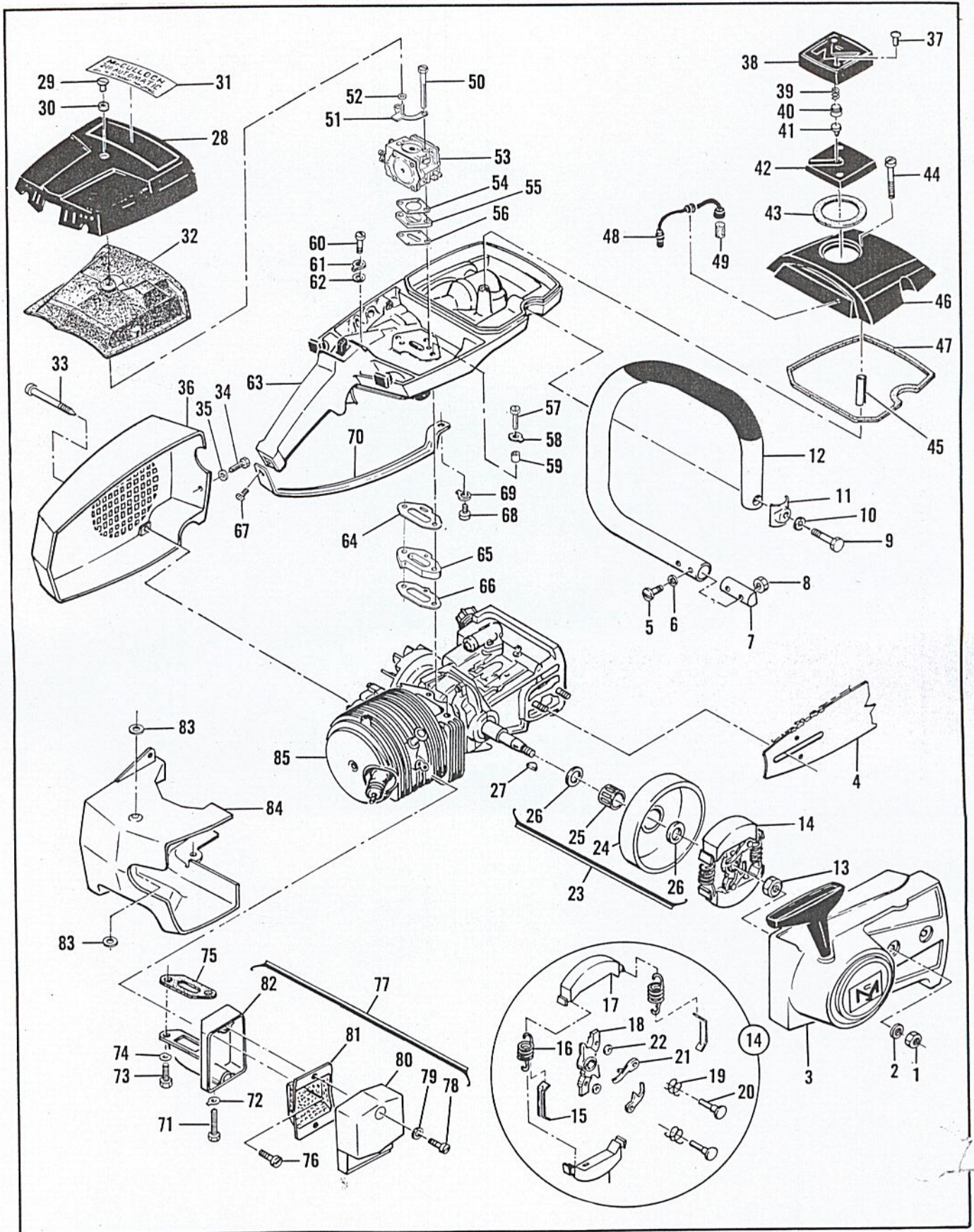


Figure 1A. Engine Exploded View - General (12-)

FIGURE 1A. ENGINE EXPLODED VIEW-GENERAL(12-)

Item No.	Part Number	Description	Units Per Assy
1	110454	Nut - Hex 5/16-24	2
2	100440	Washer - 5/16	2
3		Clutch Guard & Starter Assy (See Figure 2)	1
4		Bar & Chain (See Figure 6)	1
5	102761	Screw - Hex hd 10-24 x 7/8	2
6	100352	Washer - #10	2
7	61678	Plug - Nut retainer	1
8	101326	Nut - Hex 10-24	2
9	102130	Screw - Hex 1/4-20 x 1-1/2	1
10	100153	Lockwasher - 1/4	1
11	63484	Clamp - Frame	1
12	66310	Frame & Grip Assy	1
13	103746	Nut - Hex 3/8-24	1
14	-67148	Clutch Assy	1
15	64583	. Retainer	2
16	-66384	. Spring - Clutch	2
17	-67233	. Shoe - Clutch	2
18	-67149	. Rotor Assy	1
19	-67111	. . Spring - Pawl	2
20	-67112	. . Rivet	2
21	64857	. . Pawl	2
22	65473	. . Washer - Special	2
23	65370	Kit - Sprocket, Drum & Bearing Assy	1
24	65368	. Sprocket & Drum Assy	1
25	110330	. Bearing	1
26	61692	. Shim	2
27	103879	Key - Woodruff	1
28	-66597	Cover Assy - Air cleaner	1
29	-66290	. Nut	1
30	-66665	. Spacer - Nut	1
31	-67425	Nameplate	1
32	-66652	Filter - Air	1
33	62978	Screw - Special	3
34	-105348	Screw - 10-24 x 1/2 (SEMS)	1
35	-110264	Washer - #10	1
36	-67117	Housing - Fan	1
	-67266	Cap Assy	1
37	-110510	. Rivet	2
38	-67267	. Cover	1
39	63040	. Spring	1
40	62316	. Guide	1
41	63041	. Valve	1

Item No.	Part Number	Description	Units Per Assy
42	-64761	. Body	1
43	65671	. Gasket	1
44	110402	Screw - Oval hd 12-24 x 2-3/8	1
45	63270	Spacer - Screw	1
46	63288	Cover - Fuel tank	1
47	62102	Gasket - Cover	1
48	64848	Hose Assy - Fuel	1
49	63932	. Filter - Fuel	1
50	-103356	Screw - Hex hd 10-24 x 2-1/8	2
51	-66681	Bracket Assy	1
52	-67062	Seal - Air cleaner	1
53		Carburetor Assy (See Figure 4A)	1
54	-67904	Gasket - Carburetor	1
55	-66678	Spacer - Carburetor	1
56	-66752	Gasket - Spacer	1
57	-110505	Screw - Hex hd 10-24 x 1-3/8	2
58	67888	Lockplate	2
59	-66189	Sleeve	2
60	-110516	Screw - Hex hd 10-24 x 1-1/8	1
61	63475	Lockplate	1
62	-64856	Washer - #10	1
63		Fuel Tank Assy (See Figure 3A)	1
64	-65674	Gasket - Fuel tank	1
65	66659	Insulator - Fuel tank	1
66	65674	Gasket - Insulator	1
67	110353	Screw - Oval hd 10-24 x 3/8	1
68	102289	Screw - Hex hd 10-24 x 3/4	1
69	-28052	Lockplate	1
70	-67141	Brace - Handle	1
71	-110507	Screw - Hex hd 10-24 x 1-3/8	1
72	28052	Lockplate	1
73	110506	Screw - Hex hd 10-24 x 5/8	1
74	-36388	Lockplate	1
75	62337	Gasket - Spark arrester	1
76	110341	Screw - Hex hd 10-24 x 1/2	1
77	64846	Spark Arrester Assy	1
78	102290	. Screw - Hex hd 10-24 x 1-1/8	2
79	110264	. Washer - #10	2
80	62380	. Cover	1
81	62379B	. Baffle	1
82	64601	. Body & Duct Assy	1
83	62085A	Insulator - Shroud	2
84	-67377	Shroud	1
85		Powerhead Assy (See Figure 5)	1

MAC 2-10 AUTOMATIC

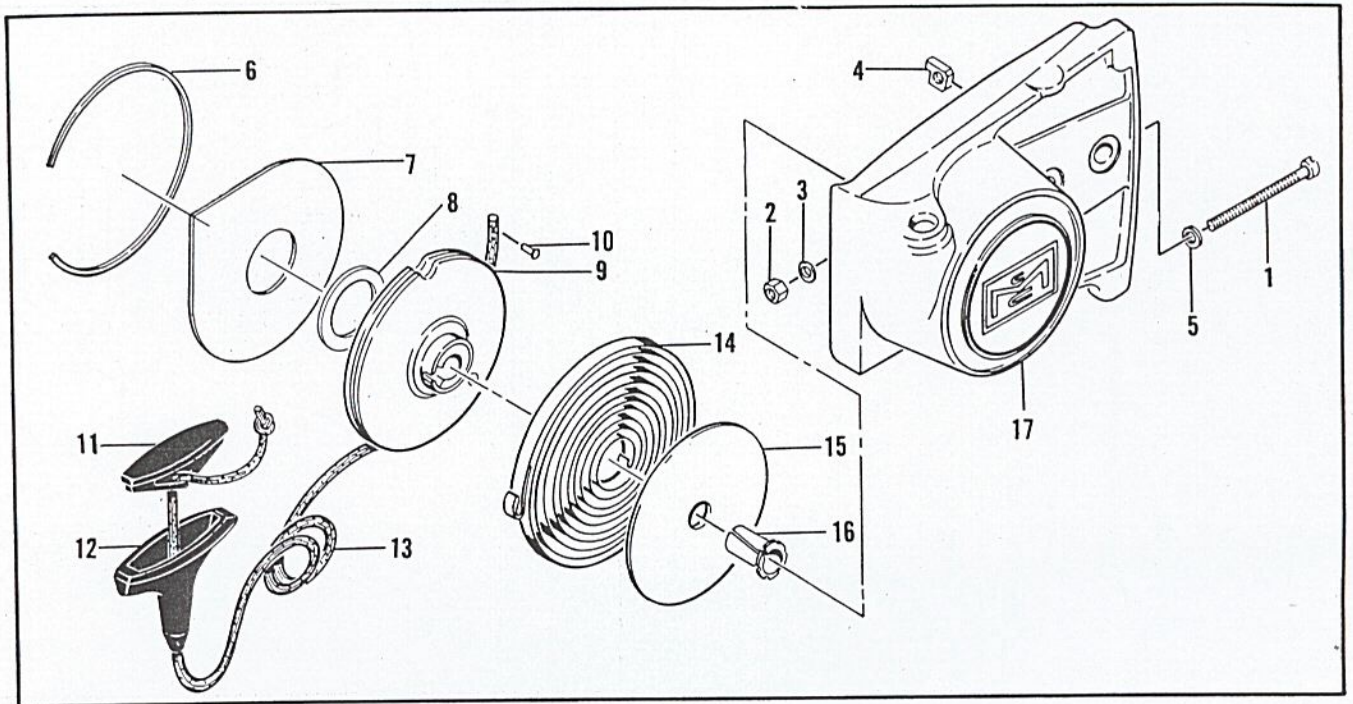


Figure 2. Clutch Guard and Starter Assembly (Both)

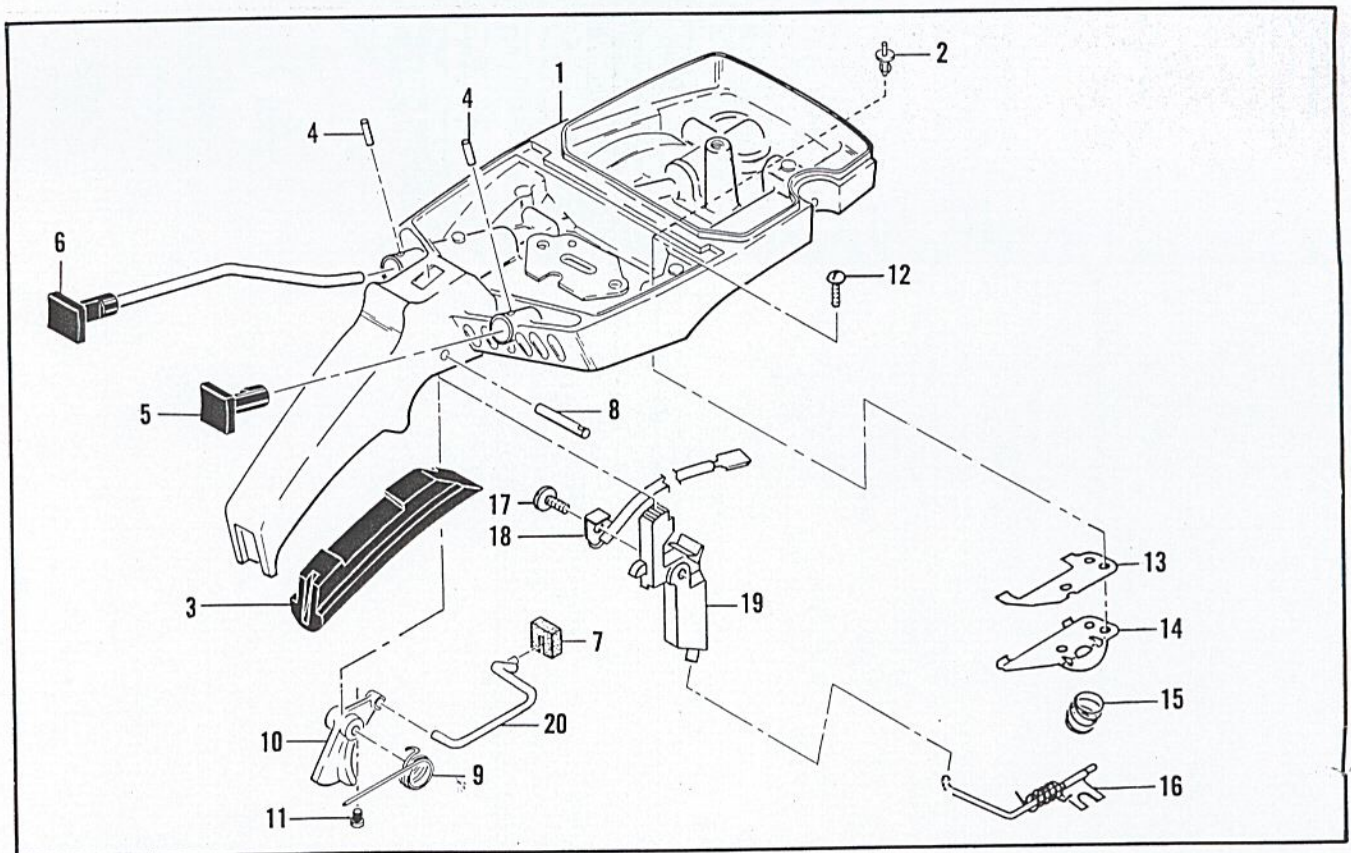


Figure 3. Fuel Tank Assembly (10-)

FIGURE 2. CLUTCH GUARD AND STARTER ASSEMBLY(BOTH)

Item No.	Part Number	Description	Units Per Assy
	- 67206	Clutch Guard Assy	1
1	102144	. Screw - Bar adjusting	1
2	102067	. Nut - Hex #10	1
3	110387	. Washer - Wave	1
4	61705	. Nut - Bar adjusting	1
5	101174	. Washer - #10	1
6	- 67205	. Retainer - Shield	1
7	63985	. Shield - Dust	1
8	63986	. Washer - Thrust	1

Item No.	Part Number	Description	Units Per Assy
9	65526	. Drum - Starter	1
10	110470	. Rivet - Starter rope	1
11	62191A	. Insert - Handle	1
12	62190A	. Handle - Starter	1
13	- 67125	. Rope - Starter	1
14	36059	. Spring - Rewind	1
15	63987	. Shield - Spring	1
16	61635A	. Bushing - Nyliner	1
17	67207	. Guard - Clutch	1

FIGURE 3. FUEL TANK ASSEMBLY(10-)

Item No.	Part Number	Description	Units Per Assy
1	66648	Fuel Tank Assy	1
2	105788	. Rivet	2
3	64872	Grip - Handle	1
4	105673	Pin - Roll 3/32 x 9/16	2
5	66194	Button - Primer	1
6	64871	Button & Rod Assy	1
7	61696	Seal - Throttle rod	1
8	110378	Pin - Roll 3/16 x 1-1/8	1
9	65734	Spring - Throttle return	1
10	- 67224	Trigger	1
11	- 110508	Screw - Trigger adjustment	1

Item No.	Part Number	Description	Units Per Assy
12	105249	Screw - Rd hd 8-32 x 3/8	2
13	64621	Shield	1
14	64721	Bracket - Lever Assy	1
15	64650	Spring - Valve	1
16	- 67220	Lever Assy - Compression release	1
17	110469	Screw - Pan hd 8-32 x 5/16	1
18	65873	Wire Assy - Stop switch	1
19	- 67209	Button - Control	1
20	66156	Rod - Throttle	1

MAC 2-10
AUTOMATIC

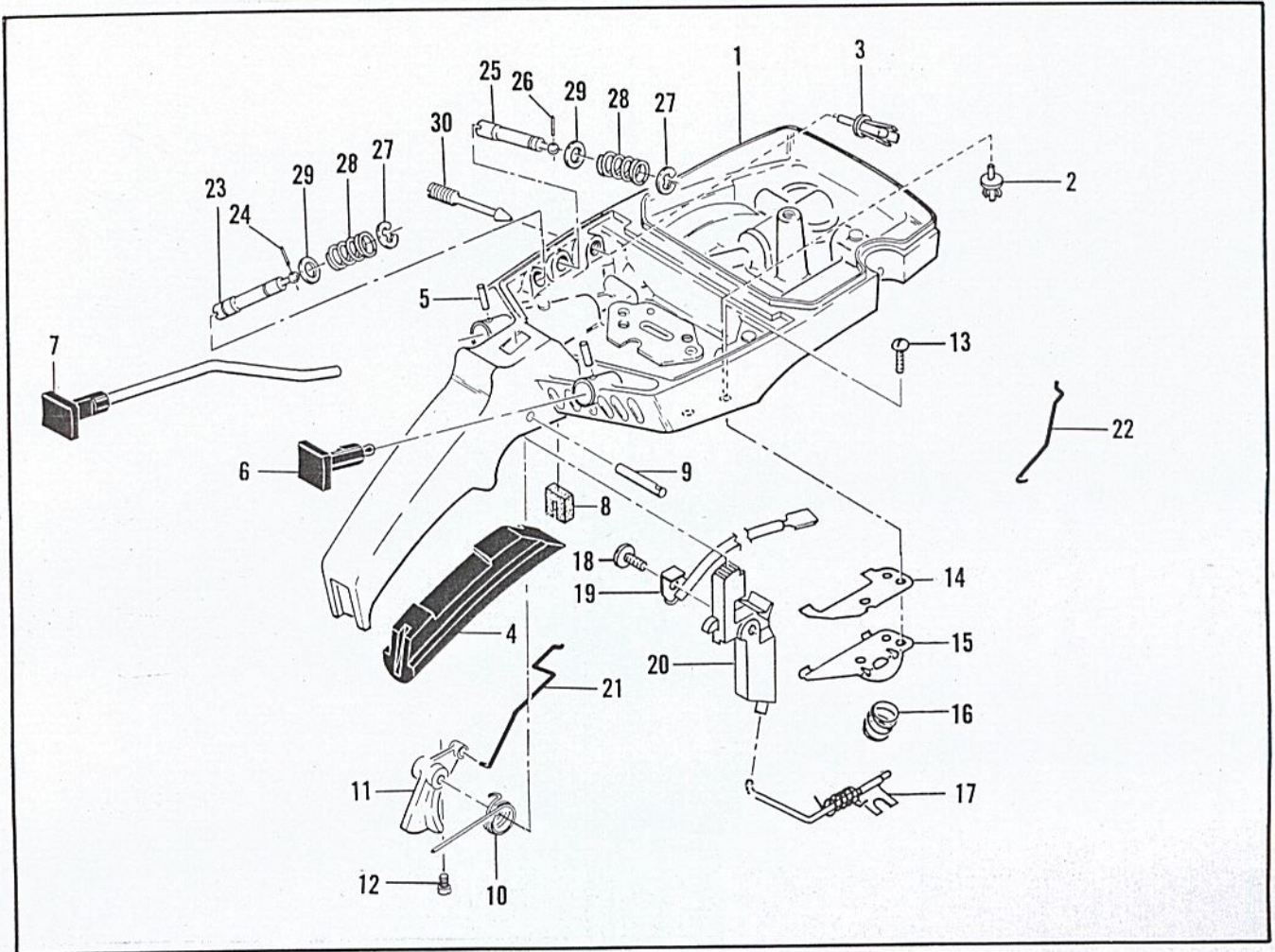


Figure 3A. Fuel Tank Assembly (12-)

FIGURE 3A. FUEL TANK ASSEMBLY (12-)

Item No.	Part Number	Description	Units Per Assy
1	- 67200	Fuel Tank Assy	1
2	105788	. Rivet	2
3	- 110531	. Rivet	3
4	64872	Grip - Handle	1
5	105673	Pin - Roll 3/32 x 9/16	2
6	- 67374	Button - Choke	1
7	64871	Button & Rod Assy	1
8	61696	Seal - Throttle rod	1
9	110378	Pin - Roll 3/16 x 1-1/8	1
10	65734	Spring - Throttle return	1
11	- 67224	Trigger	1
12	- 110508	Screw - Trigger adjustment	1
13	105249	Screw - Rd hd 8-32 x 3/8	2
14	64621	Shield	1
15	64721	Bracket - Lever Assy	1
16	64650	Spring - Valve	1

Item No.	Part Number	Description	Units Per Assy
17	- 67220	Lever Assy - Compression release	1
18	110469	Screw -Pan hd 8-32 x 5/16	1
19	65873	Wire Assy - Stop switch	1
20	- 67209	Button - Control	1
21	- 66676	Rod - Throttle	1
22	- 67355	Rod - Choke	1
23	- 67369	Extension Assy - High speed	1
24	- 110509	. Pin - Groove	1
25	- 67368	Extension Assy - Idle	1
26	- 110509	. Pin - Groove	1
27	- 110512	Ring - Retaining	2
28	- 67363	Spring	2
29	- 67292	Washer	2
30	- 67271	Screw - Idle adjustment	1

MAC 2-10 AUTOMATIC

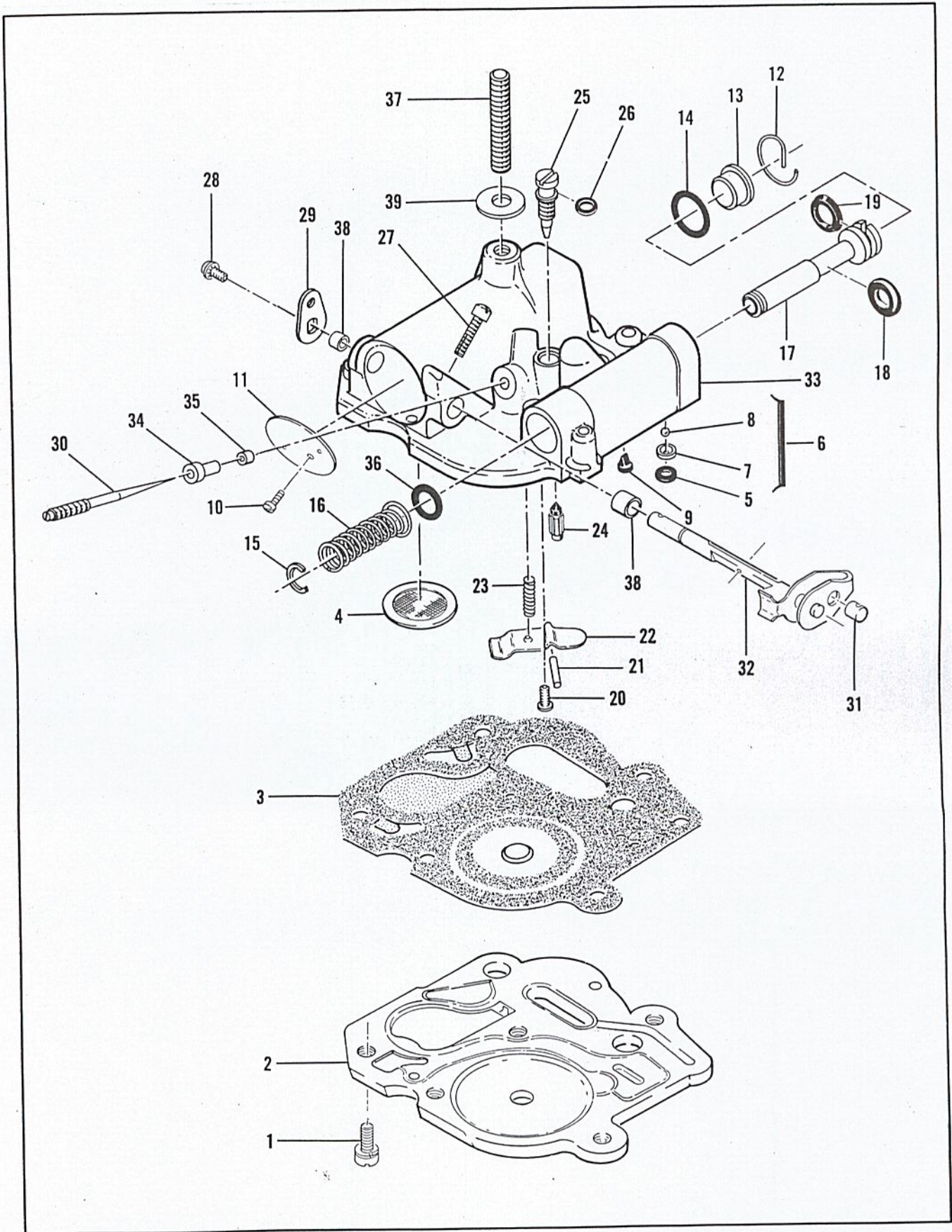


Figure 4. Carburetor Assembly (10-)

FIGURE 4. CARBURETOR ASSEMBLY(10-)

Item No.	Part Number	Description	Units Per Assy
	66503	Carburetor Assy	1
1	110397	. Screw - Pan hd 8-32 x 7/16	5
2	65597	. Plate - Carburetor base	1
3	67357	. Diaphragm Assy - Pump	1
4	66796	. Seal - Capillary	1
5	106136	. "O" Ring	1
6	65868	. Set - Ball and seat	1
7	66153	. . Seat	1
8	61151	. . Ball	1
9	63041	. Valve - Primer	1
10	104814	. Screw - 4-40 x 1/4 (SEMS)	1
11	62290A	. Plate - Throttle	1
12	65677	. Retainer - Primer plug	1
13	65617	. Plug - Primer	1
14	105617	. "O" Ring	1
15	101289	. Ring - Retaining	1
16	65859	. Spring - Plunger	1
17	66552	. Plunger - Primer	1
18	66551	. "O" Ring	1
19	67116	. "V" Packing	1

Item No.	Part Number	Description	Units Per Assy
20	104728	. Screw - 6-32 x 1/4	1
21	110337	. Pin - Inlet lever	1
22	62310	. Lever - Inlet	1
23	62923A	. Spring - Inlet lever	1
24	63038	. Valve - Needle	1
25	65445	. Needle - Main fuel	1
26	104001	. "O" Ring	1
27	110483	. Screw - Adjustment	1
28	104814	. Screw - 4-40 x 1/4 (SEMS)	1
29	65430	. Lever - Throttle	1
30	65431	. Needle - Metering	1
31	62975	. Swivel - Needle	1
32	65428	. Shaft Assy - Carburetor	1
33	66504	. Body Assy - Carburetor	1
34	65432	. . Orifice - Air	1
35	66569	. . Orifice - Fuel	1
36	59796	. . "O" Ring	1
37	65724	. . Stud - Carburetor	1
38	62368	. . Bushing - Throttle shaft	2
39	67062	Seal - Air cleaner	1

MAC 2-10
AUTOMATIC

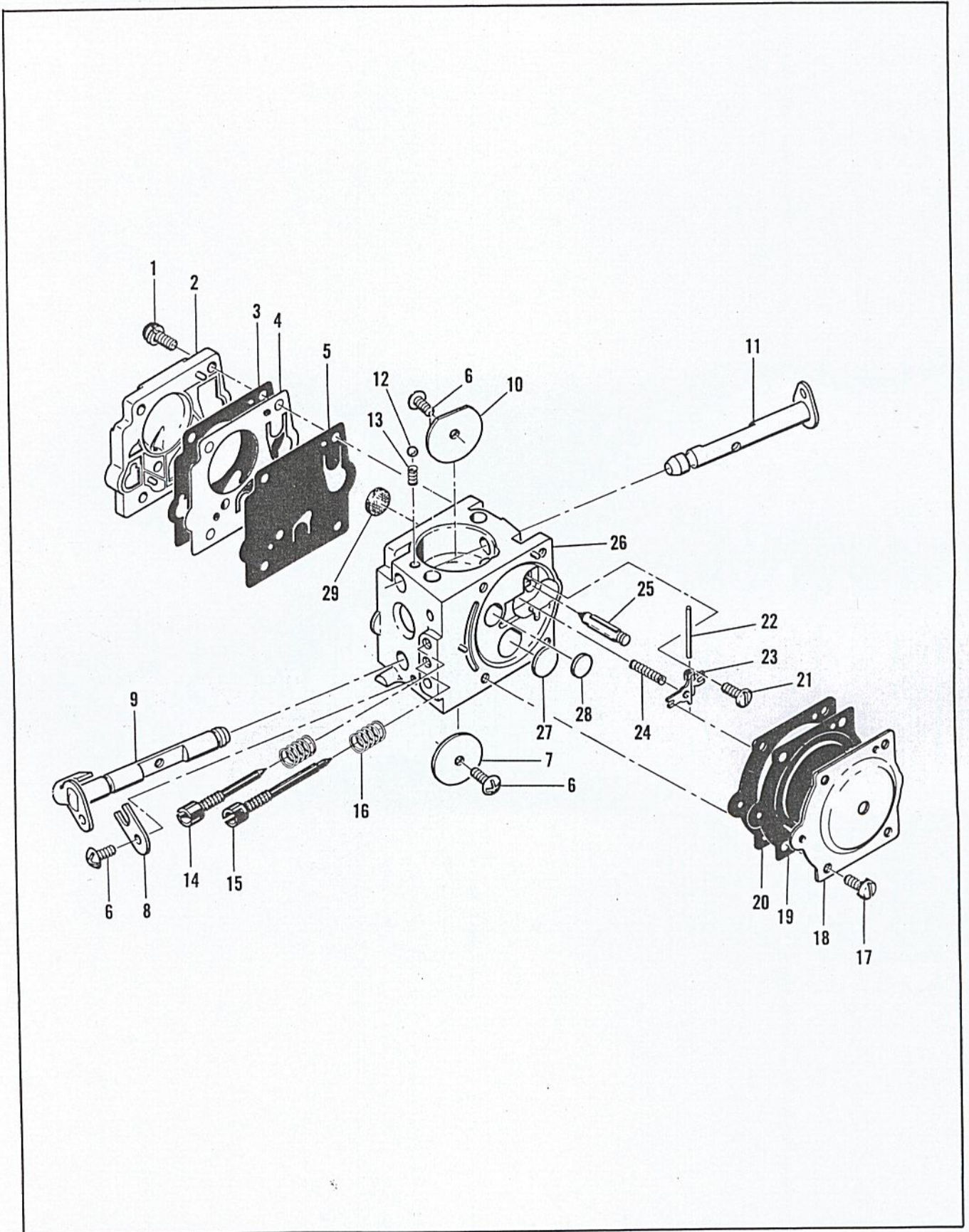


Figure 4A. Carburetor Assembly (12-)

FIGURE 4A. CARBURETOR ASSEMBLY (12-)

Item No.	Part Number	Description	Units Per Assy
	- 67379	Carburetor Assy	1
1	- 67501	. Screw - Pump cover	4
2	- 67484	. Cover - Pump	1
3 *	- 67495	. Gasket - Cover	1
4 *	- 67498	. Diaphragm - Check valve	1
5 *	- 67497	. Diaphragm - Fuel pump	1
6 *	- 47690	. Screw - Plate	3
7	- 67487	. Plate - Throttle	1
8	- 67489	. Clip - Shaft	1
9	- 67486	. Shaft Assy - Throttle	1
10	- 67490	. Plate - Choke	1
11	- 67488	. Shaft Assy - Choke	1
12 *	- 67494	. Ball - Choke friction	1
13 *	- 67504	. Spring - Choke	1
14 *	- 67506	. Needle - High speed	1
15 *	- 67505	. Needle - Idle	1
16 *	- 67502	. Spring - Needle	2

Item No.	Part Number	Description	Units Per Assy
17	- 70798	. Screw - Diaphragm cover	4
18	- 67485	. Cover - Diaphragm	1
19 *	- 67499	. Diaphragm - Metering	1
20 *	- 67496	. Gasket - Diaphragm	1
21 *	- 67500	. Screw - Lever pin	1
22 *	- 67508	. Pin - Lever	1
23 *	- 67509	. Lever - Metering	1
24 *	- 67503	. Spring - Lever	1
25 *	- 67491	. Valve - Needle	1
26	- 67483	. Body Assy - Carburetor	1
27 *	- 67492	. . Plug - 3/8	1
28 *	- 67493	. . Plug - 5/16	1
29 *	- 67507	. . Screen - Fuel	1
	* 67482	Gasket Set	
	67481	Repair Kit	

* Indicates parts included in Repair Kit, P/N 67481

MAC 2-10 AUTOMATIC

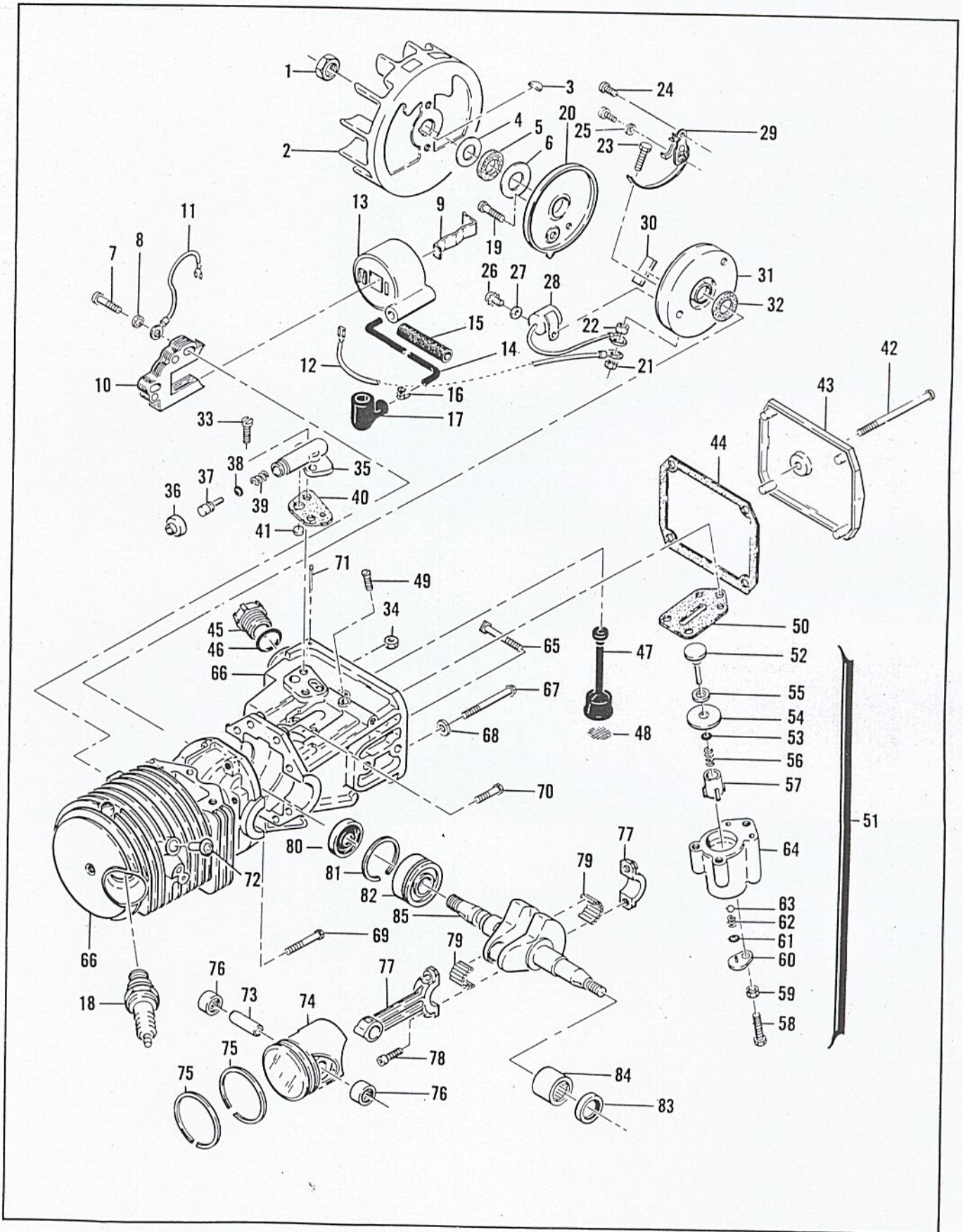


Figure 5. Powerhead Assembly (Both)

FIGURE 5. POWERHEAD ASSEMBLY (BOTH)

Item No.	Part Number	Description	Units Per Assy
1	101391	Nut - Hex 3/8-24	1
2	61737A	Flywheel Assy	1
3	103879	Key - Woodruff	1
4	-67057	Washer - Thrust	1
5	-67056	Seal	1
6	-67054	Washer - Thrust	1
7	110127	Screw - Hex hd 10-24 x 7/8 (SEMS)	2
8	100003	Washer - #10	2
9	51253	Retainer - Coil	1
10	62741	Lamination Assy	1
11	62819	Wire Assy - Ground	1
12	62818A	Wire Assy - Primary	1
13	62927A	Coil & Terminal Assy	1
14	-67300	. Wire & Sleeve Assy - Spark plug	1
15	-67127	. . Sleeve - Spark plug wire	1
16	62932	. . Connector	1
17	62926	. . Boot	1
18	63097	Spark Plug	1
19	110349	Screw - Rd hd 8-32 x 3/4	1
20	62362	Cover - Breaker box	1
21	100298	Nut - Hex 6-32	1
22	62365	Spacer - Breaker screw	1
23	110346	Screw - Hex hd 6-32 x 3/4	1
24	100934	Screw - Rd hd 8-32 x 3/8	2
25	105976	Washer - #8	1
26	105249	Screw - Rd hd 8-32 x 3/8 (SEMS)	1
27	100080	Washer - #8	1
28	61650	Condenser	1
29	62363	Breaker Assy	1
30	54184	Wiper	1
31	62361	Box - Breaker	1
32	-67051	Seal	1
33	100414	Screw - Hex hd 8-32 x 1/2	2
34	100955	Nut - Hex 8-32	1
35	62261A	Housing - Pump	1
36	62262	Cap - Housing	1
37	62266	Plunger - Pump	1
38	101056	"O" Ring	1
39	66687	Spring	1
40	62230	Gasket	1
41	62909	Valve	1

Item No.	Part Number	Description	Units Per Assy
42	110291	Screw - Pan hd 10-24 x 2-3/4	1
43	63072	Cover - Oil tank	1
44	62116	Gasket - Cover	1
45	57129A	Cap - Oil tank	1
46	101148	"O" Ring	1
47	62123B	Hose Assy - Oil	1
48	51506	. Screen - Hose	1
49	110333	Screw - Oval hd 8-32 x 1/2	3
50	62274	Gasket - Pulse pump	1
51	62320C	Pump Assy - Pulse	1
52	60260A	. Piston Assy - Pump	1
53	-104001	. "O" Ring	1
54	60263	. Ring - Piston	1
55	60937	. Washer - Teflon	1
56	60259	. Spring - Piston oiler	1
57	62227	. Sleeve - Oiler adjustment	1
58	110386	. Screw - Hex hd 8-32 x 1	1
59	100251	. Nut - Hex 8-32	1
60	63858	. Cover Assy - Outlet valve	1
61	106104	. "O" Ring	1
62	62885A	. Spring - Outlet valve	1
63	102809	. Ball	1
64	62321B	. Body Assy - Pump	1
65	62065	Bolt - Bar mounting	2
66	-67250	Crankcase Assy	1
67	62105	. Screw Assy - Sealing	4
68	62842	. . Washer - Sealing	4
69	110289	. Screw Assy - 8-32 x 1-1/8	1
70	110288	. Screw Assy - 8-32 x 3/4	3
71	100010	. Pin - Cotter	1
72	64755	. Valve - Compression release	1
73	61649	Pin - Piston	1
74	62824	Piston Assy	1
75	62814	. Ring Set - Piston	1
76	103512	. Bearing - Needle	2
77	65401	Connecting Rod Assy	1
78	61627A	. Screw - Skt hd 8-36 x 1/2	2
79	63225	. Roller - Needle (set of 20)	1
80	65746	Oil Seal	1
81	63464	Ring - Snap	1
82	63429B	Bearing - Ball	1
83	65747	Oil Seal	1
84	104357	Bearing - Needle	1
85	63336	Crankshaft	1

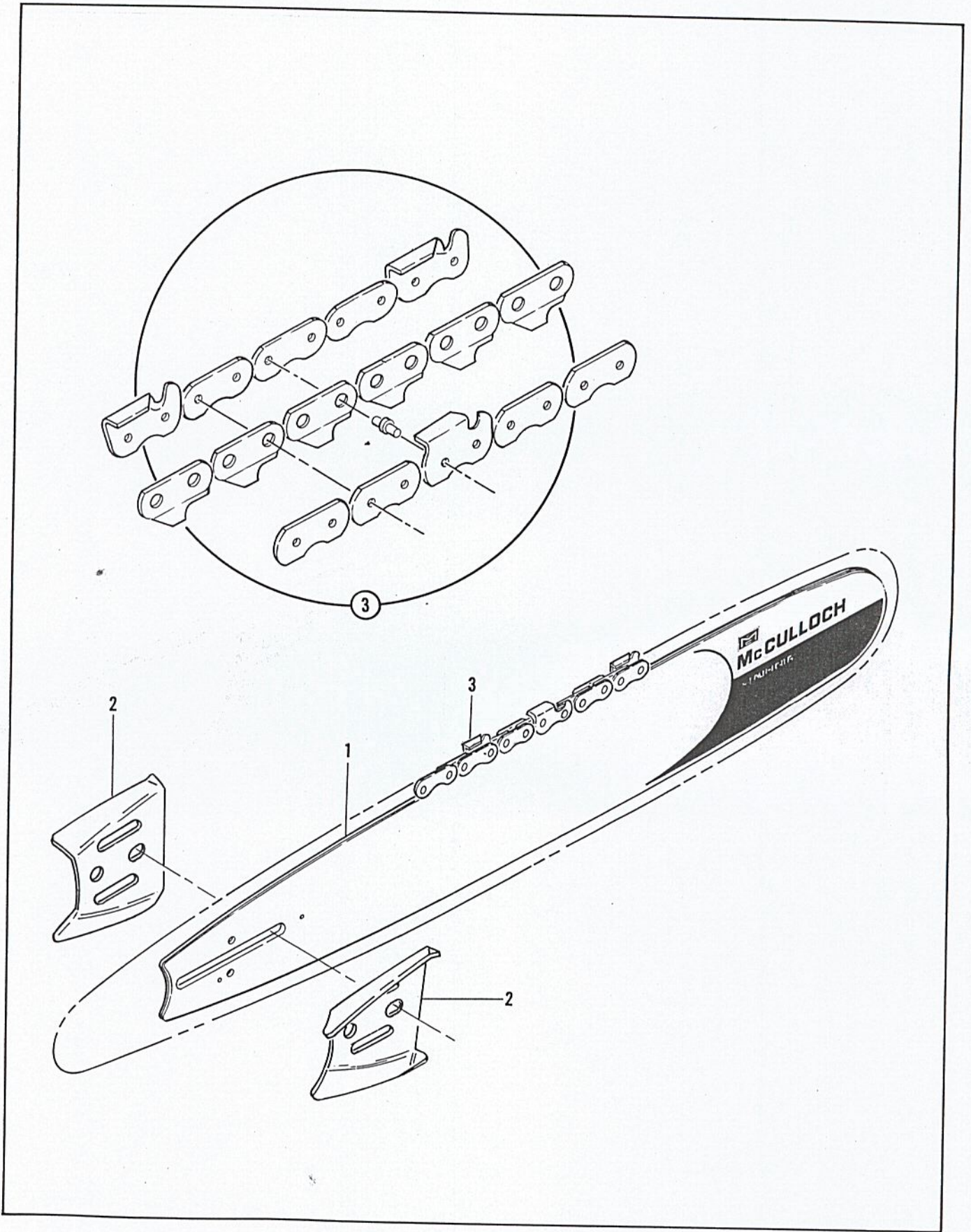


Figure 6. Bar and Chain Assembly (Both)

FIGURE 6. BAR AND CHAIN ASSEMBLIES (BOTH)

Item No.	Part Number	Description	Units Per Assy
1		Bar	
2	64325	Plate - Bar protector	2

Item No.	Part Number	Description	Units Per Assy
3		Chain Assy	

ACCESSORIES

Part Number	Description
66563	Manual - Owner's
62827	Wrench
63746	Kit - Wrench
63341A	Kit - Spike
65325	Baffle
65529	Kit - Reed spark arrester
66316	Kit - Wrap around frame
65712	Guide - Timing
63432	Spark Plug - AC CS 42T

Part Number	Description
65778	Spark Plug - AC CS 41T
62825	Piston Assy - 0.020 in. oversize
62813	. Ring Set - Piston 0.020 in. oversize
103512	. Bearing - Needle (2)
62826	Piston Assy - 0.030 in. oversize
62812	. Ring Set - Piston 0.030 in. oversize
103512	. Bearing - Needle (2)
64330	Bar Plate Set