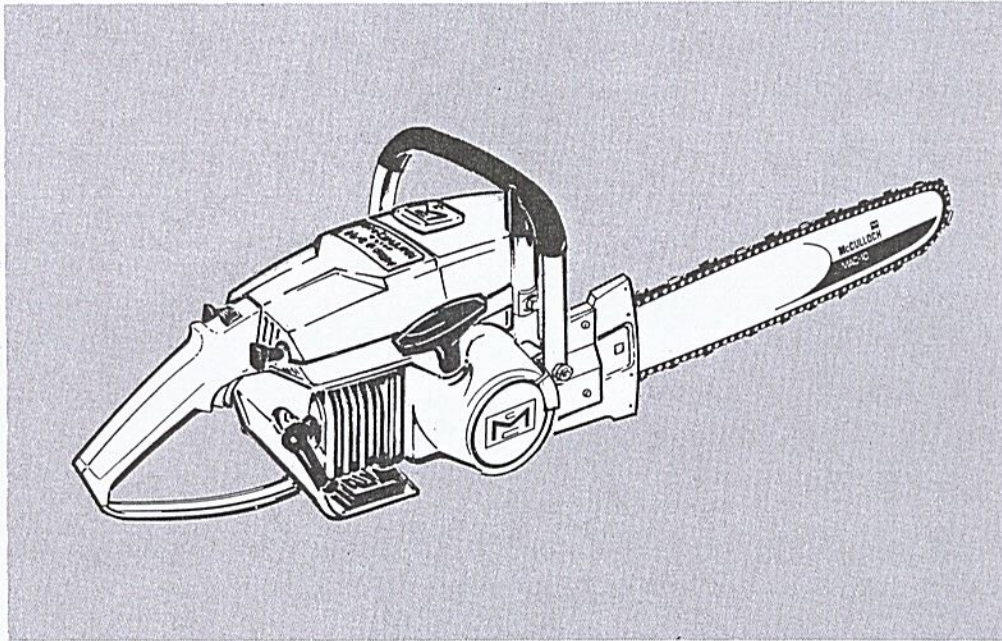


SUPER LG-2 AUTOMATIC CHAIN SAW

MODEL NO. 600420

SERIAL NOs. PREFIXED 11-

ILLUSTRATED PARTS LIST



JULY, 1969

The policy of McCulloch Corporation is one of continual improvement in design, manufacturing and engineering advancement wherever possible to assure still finer two-cycle power tools. Hence, specifications, equipment, colors, design and manufacturer's suggested list prices are subject to change without notice and McCulloch Corporation reserves the right to make such changes without prior notification or obligation to backfit or supply backfit components for units previously shipped from the factory.

	Page
Figure 1. Engine Exploded View - General	2
Figure 2. Clutch & Starter Assembly	4
Figure 3. Fuel Tank Assembly	4
Figure 4. Carburetor Assembly	6
Figure 5. Transmission Assembly	8
Figure 6. Powerhead Assembly	10



McCULLOCH

SUPER LG-2 AUTOMATIC

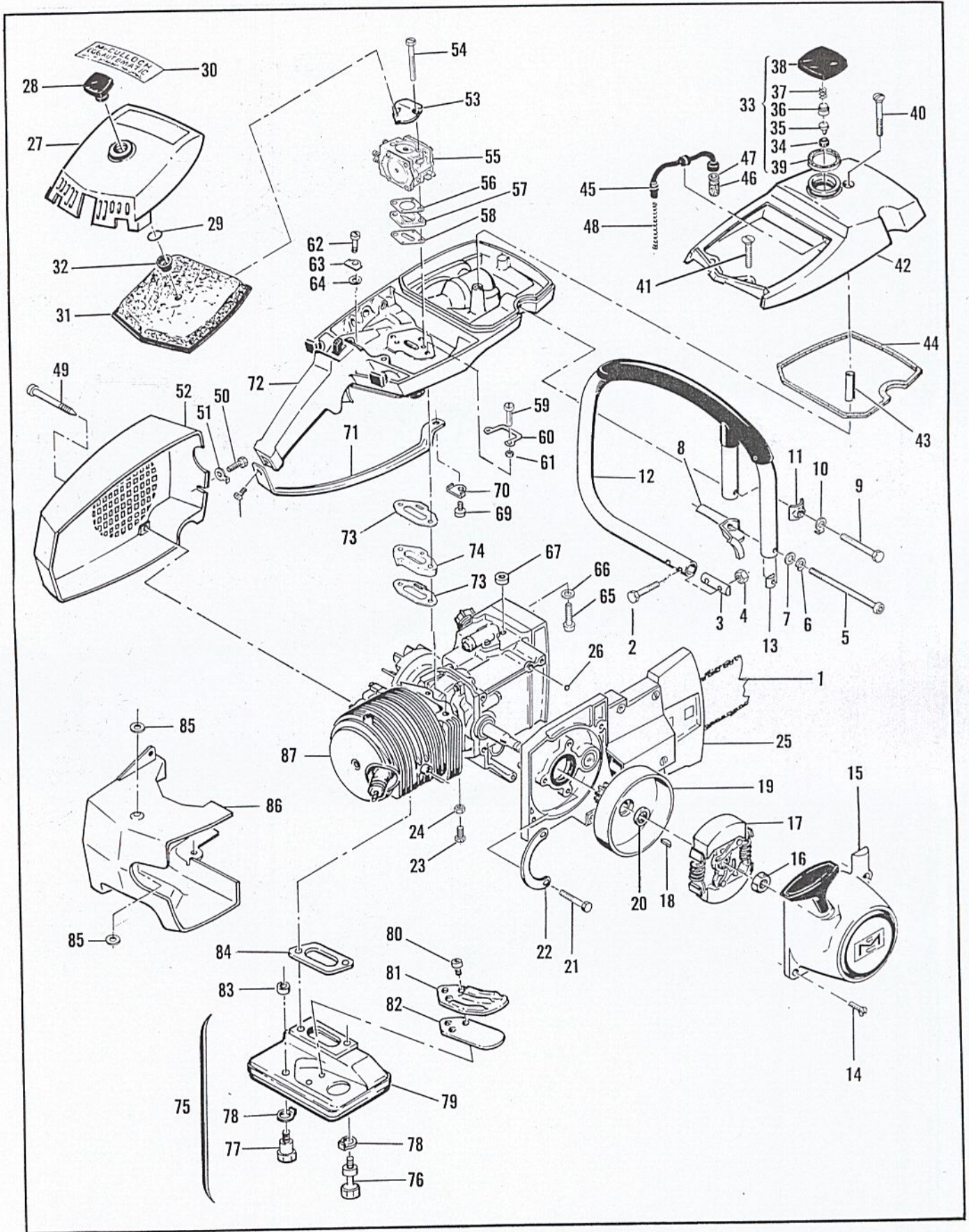


Figure 1. Engine Exploded View-General

FIGURE 1. ENGINE EXPLODED VIEW-GENERAL

Item No.	Part Number	Description	Units Per Assy
1		Bar & Chain Assy (See Figure 5)	
2	102761	Screw - Hex hd 10-24 x 7/8	2
3	61678	Plug - Nut retainer	1
4	101326	Nut - Hex 10-24	2
5	110448	Screw - Skt hd 10-24 x 3-1/4	1
6	103174	Lockwasher - #10	1
7	100003	Washer - #10	1
8	68503	Bracket - Frame	1
9	102130	Screw - Hex hd 1/4-20 x 1-1/2	1
10	69947	Lockplate	1
11	63484	Clamp - Frame	1
12	68458	Frame & Grip Assy	1
13	62271	. Plug - Frame	1
14	101386	Screw - Oval hd 10-24 x 5/8	1
15		Starter Assy - (See Figure 2)	
16	110594	Nut - 3/8-24	1
17		Clutch Assy - (See Figure 2)	
18	103879	Key - Woodruff	1
19	63493	Drum, Gear & Seal Assy	1
20	63476	. Seal	1
21	104243	Screw - Hex hd 1/4-20 x 1-3/4	2
22	68509	Lockplate	1
23	103469	Screw - Hex hd 10-24 x 3/8	1
24	105367	Nut - Hex 10-24	1
25		Transmission Assy (See Figure 5)	
26	106104	"O" Ring	1
27	68530	Cover Assy - Air cleaner	1
28	68529	. Knob	1
29	110565	. Ring - Retaining	1
30	83365	Nameplate	1
31	83230	Filter Assy - Air	1
32	68528	. Grommet	1
33	68531	Fuel Cap Assy	1
34	68533	. Plug	1
35	63041	. Valve	1
36	62316	. Guide	1
37	63040	. Spring	1
38	68532	. Body	1
39	69767	. Gasket	1
40	110402	Screw - Oval hd 12-24 x 2-3/8	1
41	103579	Screw - Fl hd 10-24 x 1	2
42	69679	Cover - Fuel tank	1
43	69686	Spacer - Cover	1
44	69345	Gasket - Fuel tank	1
45	64848	Hose Assy - Fuel	1

Item No.	Part Number	Description	Units Per Assy
46	63932	. Filter - Fuel	1
47	100440	. Washer	1
48	67944	Spring - Hose	1
49	62978	Screw - Special	3
50	102762	Screw - 10-24 x 1/2	1
51	69890	Lockplate	1
52	68544	Housing - Fan	1
53	83204	Bracket Kit	1
54	103357	. Screw - Hex hd 10-24 x 2-1/4	2
55		Carburetor Assy (See Figure 4)	
56	68132	Gasket - Carburetor	1
57	66678	Spacer - Carburetor	1
58	68131	Gasket - Spacer	1
59	110570	Screw - Hex hd 12-24 x 1-3/8	2
60	68582	Lockplate	1
61	102115	Washer - #12	2
62	110568	Screw - Hex hd 12-24 x 1-1/8	1
63	69516	Lockplate	1
64	64856	Washer - Special	1
65	102660	Screw - Skt hd - 10-24 x 7/8	1
66	100003	Washer - #10	1
67	68219	Spacer - Fuel tank	1
68	106078	Screw - Pan hd 10-24 x 7/16	1
69	110566	Screw - Hex hd 12-24 x 5/8	1
70	68508	Lockplate	1
71	69838	Brace - Handle	1
72		Fuel Tank Assy (See Figure 3)	
73	68580	Gasket - Fuel tank	2
74	68614	Insulator - Fuel tank	1
75	68863	Kit - Muffler	1
76	67838	. Screw - Muffler long	2
77	67837	. Screw - Muffler short	1
78	67836	. Lockplate	3
79	68838	. Muffler Assy	1
80	110563	. . Screw - Skt hd 8-32 x 1/4	2
81	83069	. . Stop - Reed	1
82	64785	. . Reed	1
83	63993	Gasket - Muffler screw	1
84	68149	Gasket - Muffler	1
85	68581	Insulator - Shroud	2
86	67910	Shroud	1
87		Powerhead Assy (See Figure 6)	

SUPER LG-2 AUTOMATIC

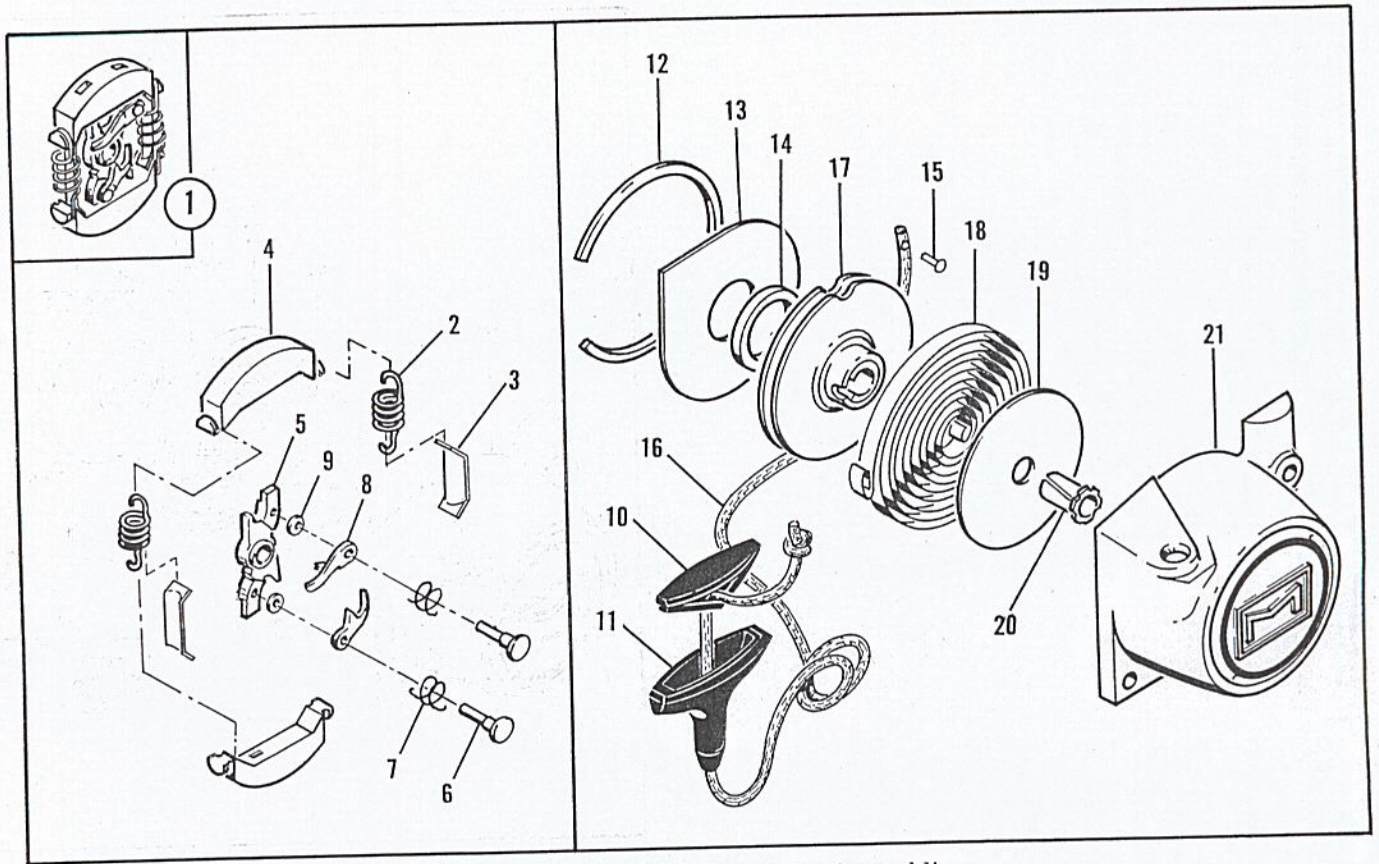


Figure 2. Clutch and Starter Assemblies

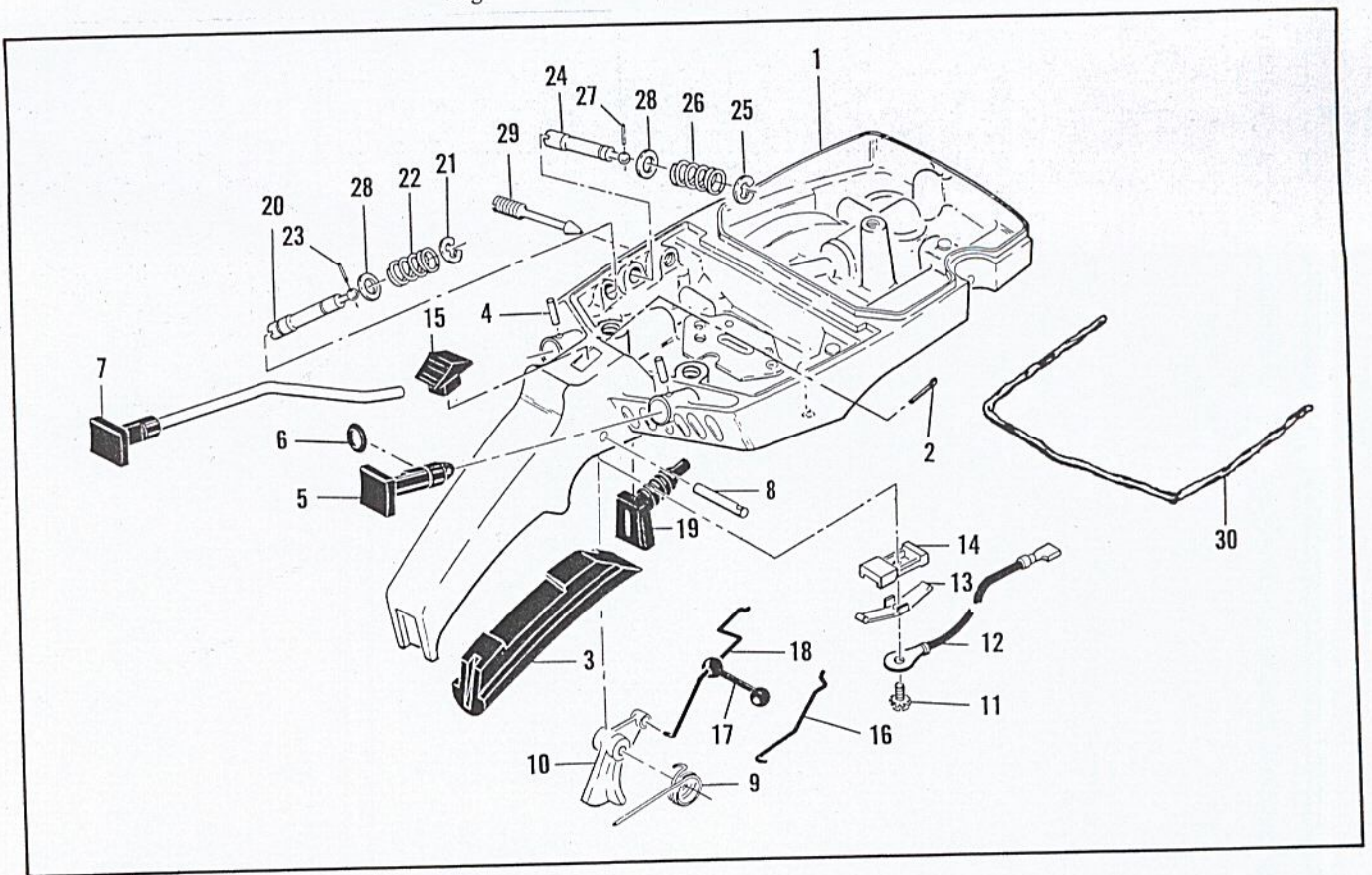


Figure 3. Fuel Tank Assembly

FIGURE 2. CLUTCH AND STARTER ASSEMBLIES

Item No.	Part Number	Description	Units Per Assy
1	67148	Clutch Assy	1
2	66384	. Spring - Clutch	2
3	64583	. Retainer - Spring	2
4	67233	. Shoe - Clutch	2
5	67149	. Rotor Assy	1
6	67112	. . Rivet	2
7	68837	. . Spring	2
8	64857	. . Pawl	2
9	65473	. . Washer	2
	67058	Starter Assy	1
10	62191A	. Insert	1

Item No.	Part Number	Description	Units Per Assy
11	62190A	. Handle	1
12	67205	. Retainer - Shield	1
13	63985	. Shield - Dust	1
14	63986	. Washer - Thrust	1
15	110470	. Rivet - Rope	1
16	69964	. Rope - Starter	1
17	68695	. Drum - Starter	1
18	68626	. Spring - Rewind	1
19	63987	. Shield - Spring	1
20	61635A	. Bushing - Nyliner	1
21	67059	. Housing - Starter	1

FIGURE 3. FUEL TANK ASSEMBLY

Item No.	Part Number	Description	Units Per Assy
1	68683	Fuel Tank Assy	1
2	100010	. Pin-Cotter	1
3	64872	Grip - Handle	1
4	105673	Pin - Roll 3/32 x 9/16	2
5	69041	Button - Choke	1
6	101056	"O" Ring	1
7	64871	Button & Rod Assy	1
8	110378	Pin - Roll 3/16 x 15/16	1
9	65734	Spring - Throttle return	1
10	67224	Trigger	1
11	103672	Screw - Fil hd 8-32 x 1/2	1
12	62973A	Wire Assy - Stop switch	1
13	62451	Contact - Switch	1
14	62950A	Base - Switch	1
15	62951	Button - Switch	1

Item No.	Part Number	Description	Units Per Assy
16	69042	Rod - Choke	1
17	69043	Snubber - Control rod	1
18	68170	Rod - Throttle	1
19	68522	Seal - Throttle rod	1
20	68102	Extension Assy - High speed	1
21	110512	. Ring - Retaining	1
22	67363	. Spring	1
23	110509	. Pin - Groove	1
24	68101	Extension Assy - Idle	1
25	110512	. Ring - Retaining	1
26	67363	. Spring	1
27	110509	. Pin - Groove	1
28	67292	Washer	2
29	67271	Screw - Idle speed	1
30	*69564	Seal - Airbox	AR

* Furnished on a 12 - 1/2 inch strip containing 9 beads of sealant (enough for 9 replacements).

FIGURE 4. CARBURETOR ASSEMBLY

Item No.	Part Number	Description	Units Per Assy
	67379	Carburetor Assy	1
1	67501	. Screw - Pump cover	4
2	67484	. Cover - Pump	1
3 *	67495	. Gasket - Cover	1
4 *	67498	. Diaphragm - Check valve	1
5 *	67497	. Diaphragm - Fuel pump	1
6 *	47690	. Screw - Plate	3
7	67487	. Plate - Throttle	1
8	67489	. Clip - Shaft	1
9	67486	. Shaft Assy - Throttle	1
10	67490	. Plate - Choke	1
11	67488	. Shaft Assy - Choke	1
12 *	67494	. Ball - Choke friction	1
13 *	67504	. Spring - Choke	1
14 *	67506	. Needle - High speed	1
15 *	67505	. Needle - Idle	1
16 *	67502	. Spring - Needle	2

Item No.	Part Number	Description	Units Per Assy
17	70798	. Screw - Diaphragm cover	4
18	67485	. Cover - Diaphragm	1
19 *	67499	. Diaphragm - Metering	1
20 *	67496	. Gasket - Diaphragm	1
21 *	67500	. Screw - Lever pin	1
22 *	67508	. Pin - Lever	1
23 *	67509	. Lever - Metering	1
24 *	67503	. Spring - Lever	1
25 *	67491	. Valve - Needle	1
26	67483	. Body Assy - Carburetor	1
27 *	67492	. . Plug - 3/8	1
28 *	69506	. . Plug - 5/16	1
29 *	69203	. . Seat Assy	1
30 *	69204	. . Valve	1
31 *	67505	. . Screen - Fuel	1
	* 67482	Gasket Set	
	67481	Repair Kit	

*Indicates parts included in Repair Kit, P/N 67481

**SUPER LG-2
AUTOMATIC**

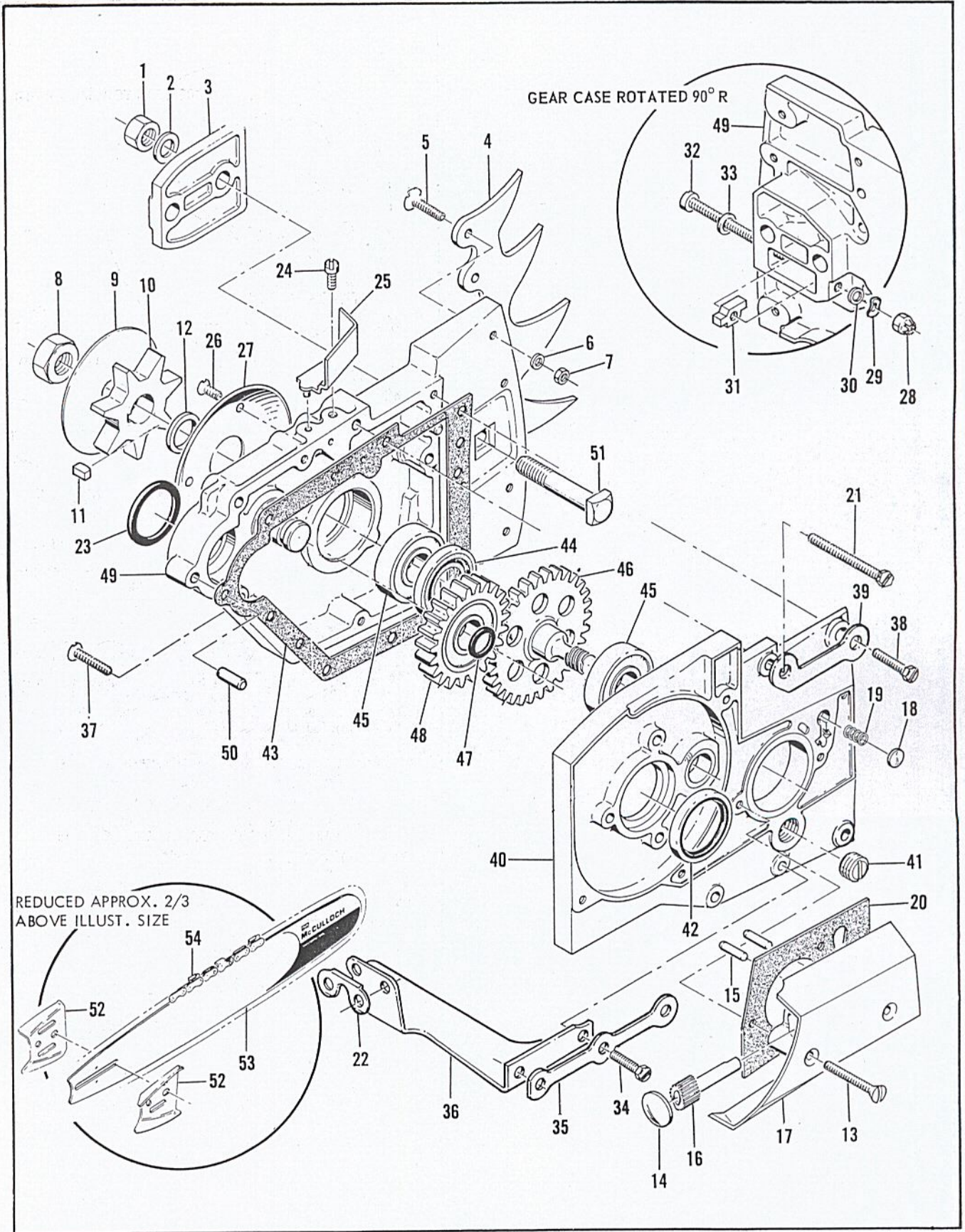


Figure 5. Transmission Assembly

FIGURE 5. TRANSMISSION ASSEMBLY

Item No.	Part Number	Description	Units Per Assy
1	103729	Nut - Hex 3/8 - 24	2
2	100006	Washer - 3/8	2
3	63417	Plate - Bar clamp	1
4	63994	Kit - Spike	1
5	110245	. Screw - Fl hd 10-24 x 3/4	4
6	110264	. Washer - #10	4
7	101191	. Nut - Hex 10-24	4
8	60972	Nut - Hex 7/16-20	1
9	63997A	Plate - Sprocket	1
10	36644A	Sprocket	1
11	63808	Key - Sprocket	1
12	64754	Spacer - Sprocket	1
13	110406	Screw - Oval hd 8-32 x 1-1/4	2
	65882	Pump Assy - Oil	1
14	105559	. Plug - Welch	1
15	110392	. Pin - Plunger	2
16	63428	. Plunger - Pump	1
17	65881	. Body - Pump	1
18	62909	Valve - Oiler	1
19	63692	Spring - Valve	1
20	63474	Gasket - Pump	1
21	102765	Screw - Hex hd 10-24 x 1-3/4	2
22	83455	Lockplate	1
	68487	Transmission Assy	1
23	104360	. "O" Ring	1
24	110055	. Screw - Fil hd 8-32 x 3/8	1
25	63491	. Filler	1
26	110417	. Screw - Fl hd 6-32 x 3/8	3

Item No.	Part Number	Description	Units Per Assy
27	63416	. Plate - Sprocket	1
28	102067	. Nut - Hex 10-24	1
29	110387	. Washer - Wave	1
30	100003	. Washer - #10	1
31	63824A	. Nut - Bar adjustment	1
32	110548	. Screw - Bar adjustment	1
33	110264	. Washer	1
34	102290	. Screw - Hex hd 10-24 x 1-1/8	1
35	83457	Lockplate	1
36	67066	. Brace - Gearcase	1
37	110405	. Screw - Oval hd 8-32 x 7/8	3
38	102760	. Screw - Hex hd 10-24 x 1	2
39	83456	Lockplate	1
40	68490	. Cover Assy - Gearcase	1
41	100432	. . Plug - Filler	1
42	63477	. . Seal - Pinion gear	1
43	68576	. Gasket - Cover	1
44	63478	. Seal - Gearcase	1
45	110348	. Bearing - Sprocket shaft	2
46	64775	. Gear - Sprocket	1
47	110452	. "O" Ring	1
48	66616	. Gear Assy - Idler	1
49	68488	. Gearcase	1
50	101770	. . Pin - Dowel	2
51	64584	. . Bolt - Bar	2
52	64935	Plate - Bar protector	2
53		Bar	1
54		Chain Assy	1

**SUPER LG-2
AUTOMATIC**

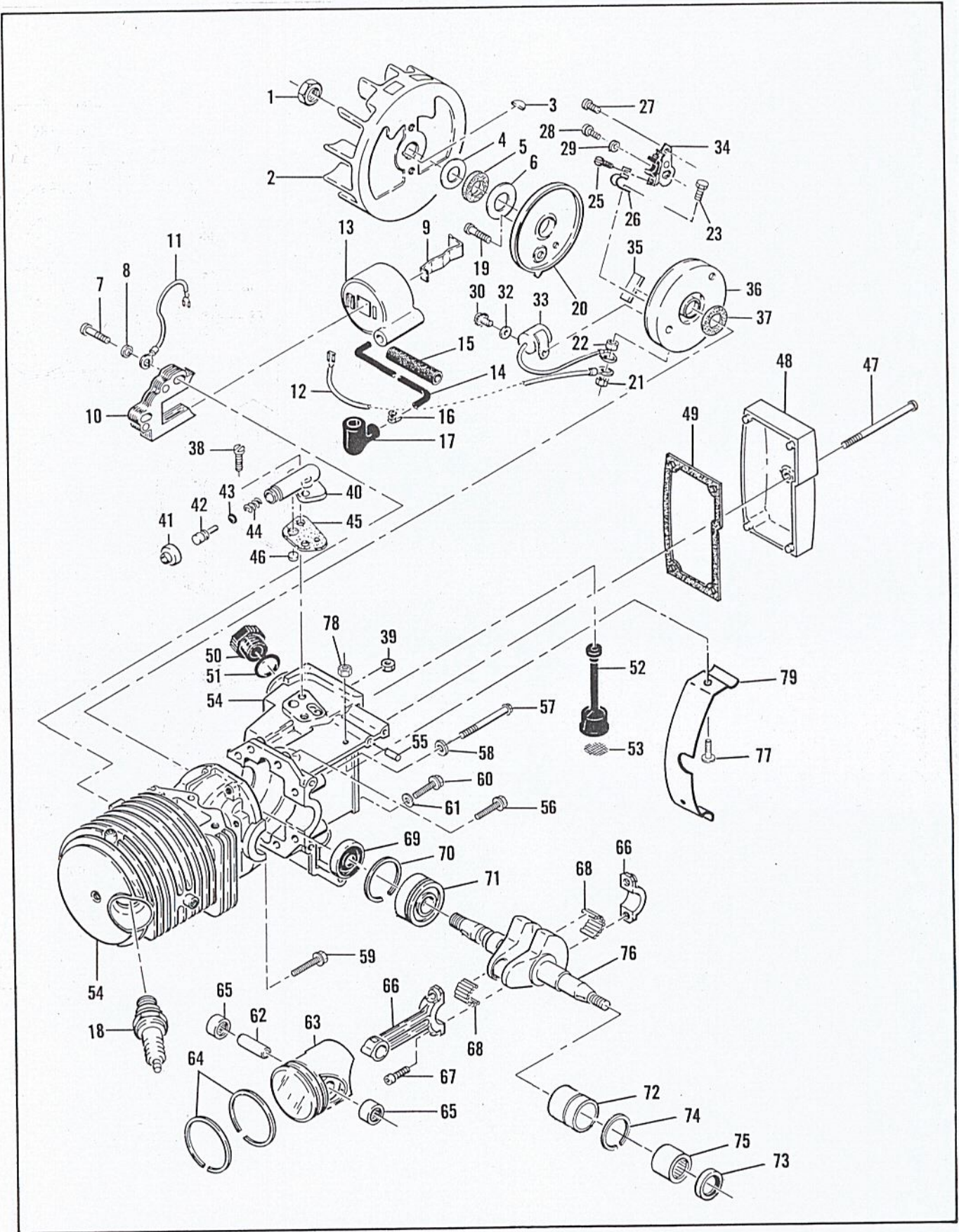


Figure 6. Powerhead Assembly

FIGURE 6. POWERHEAD ASSEMBLY

Item No.	Part Number	Description	Units Per Assy
1	110594	Nut - Hex 3/8-24	1
2	61737A	Flywheel Assy	1
3	103879	Key - Woodruff	1
4	67057	Washer - Thrust	1
5	67056	Seal	1
6	67054	Washer - Thrust	1
7	110127	Screw - Fil hd 10-24 x 7/8	2
8	100003	Washer - #10	2
9	51253	Retainer - Coil	1
10	68164	Lamination Assy	1
11	62819	Wire Assy - Ground	1
12	62818A	Wire Assy - Primary	1
13	69798	Coil & Terminal Assy	1
14	69966	. Wire Assy - Spark Plug	1
15	67127	. . Sleeve	1
16	62932	. . Connector	1
17	62926	. . Boot	1
18	63097	Spark Plug - AC CS45T	1
19	110349	Screw - Rd hd 8-32 x 3/4	1
20	62362	Cover - Breaker box	1
21	100298	Nut - Hex 6-32	1
22	62365	Spacer - Breaker screw	1
23	110346	Screw - Hex hd 6-32 x 3/4	1
24		Delete	1
25	110489	Screw - Pan 6-32 x 7/16	1
26	83126	Strap - Conduction	1
27	100934	Screw - Rd hd 8-32 x 3/8	1
28	110445	Screw - Tr hd 8-32 x 3/8	1
29	105976	Washer - #8	1
30	103672	Screw - Fil hd 8-32 x 1/2	1
31		Delete	1
32	100080	Washer - #8	1
33	61650	Condenser	1
34	66231	Breaker Assy	1
35	54184	Wiper - Cam	1
36	83125	Box - Breaker	1
37	67051	Seal - Box	1
38	110623	Screw - Fil hd 8-32 x 1/2	2
39	100955	Nut - Hex 8-32	1
40	62261A	Housing - Pump	1

Item No.	Part Number	Description	Units Per Assy
41	62262	Cap - Housing	1
42	62266	Plunger - Pump	1
43	101056	"O" Ring	1
44	66687	Spring - Plunger	1
45	62230	Gasket - Pump	1
46	62909	Valve - Pump	1
47	110407	Screw - Pan hd 10-24 x 3-1/2	1
48	63974	Cover - Oil tank	1
49	63442	Gasket - Cover	1
50	68809	Cap	1
51	101148	"O" Ring	1
52	62123B	Hose Assy - Oil	1
53	51506	. Screen - Hose	1
54	68824	Crankcase Assy	1
55	105826	. Pin - Roll	1
56	110288	. Screw Assy - 8-32 x 3/4	2
57	62105	Screw Assy - Sealing	4
58	62842	. Washer - Sealing	4
59	110404	Screw Assy - 8-32 x 7/8	1
60	63607	Screw Assy - Sealing	1
61	63606	. Washer - Sealing	1
62	61649	Pin - Piston	1
63	69212	Piston Assy	1
64	62814	. Ring Set - Piston	1
65	103512	. Bearing - Needle	2
66	65401	Connecting Rod Assy	1
67	61627A	. Screw - Skt hd 8-36 x 1/2	2
68	63225	. Roller - Needle (set of 20)	1
69	67906	Oil Seal	1
70	63464	Ring - Snap	1
71	67905	Bearing - Ball	1
72	63492	Insert & Bearing Assy	1
73	65747	. Oil Seal	1
74	63699	. Ring - Insert	1
75	104357	. Bearing - Needle	1
76	68505	Crankshaft	1
77	105221	Screw - Rd hd 10-24 x 5/16	2
78	101191	Nut - Hex 10-24	2
79	65363	Guard - Crankcase	1

ACCESSORIES

Part Number	Description
83434	Manual - Owner's
61040	Wrench - Screwdriver
63746	"Scrench" (Spark plug)
65712	Guide - Timing
68052	Plate - Wear
65778	Spark Plug - AC CS41T
63432	Spark Plug - AC CS42T
83406	Kit - Spark arrester screen
69210	Piston Assy - 0.020 in. oversize

Part Number	Description
62813	. Ring Set - Piston 0.020 in. oversize
103512	. Bearing - Needle (2)
69211	Piston Assy - 0.030 in. oversize
62812	. Ring Set - Piston 0.030 in. oversize
103512	. Bearing - Needle (2)
68585	Transmission 2:1